



Parts Manual

Mfg. No: 80566
280813BE, 28" 8 HP Rear Engine Rider
Series 13

Rear Engine Rider Accessories.....

Not For
Reproduction

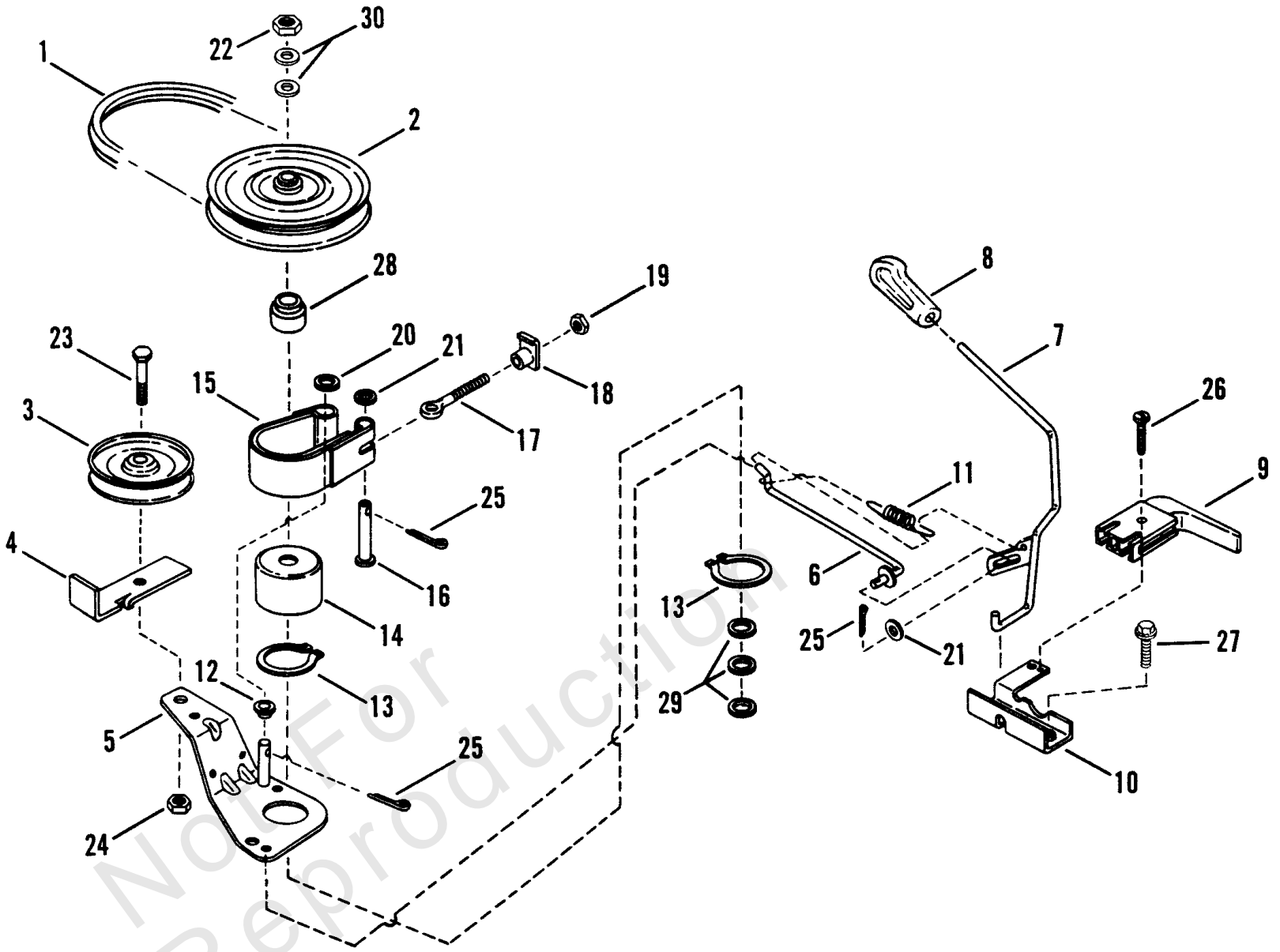
Model Components	Page
Belts, Brakes, Interlock (25", 28", 30", 33" Models).....	4
Blade Stop Pedals (25", 28" Models).....	6
Chain Case, L.H. Fender.....	8
Cutting Decks, Deflectors.....	10
Decals.....	14
Differential, R.H. Fender.....	18
Drive Disc Assembly.....	20
Electrical Systems.....	22
Exhaust Muffler & Engines.....	24
Front End Steering (Part 1).....	26
Front End Steering (Part 2).....	30
Fuel Tank & Operators Seat.....	32
Main Case.....	34
Rails, Lift Arms, Cam Lift (25", 28", 30", 33" Models).....	38
Smooth Clutch Assembly.....	42
Spindle.....	44
Throttle Control.....	46
Wheels-Front.....	48
Wheels-Rear.....	50
Torque Specification Chart.....	52

Not For
Reproduction

Belts, Brakes, Interlock (25", 28", 30", 33" Models)

Note: Unless noted otherwise, use the standard torque specifications

Mfg. No: 80566



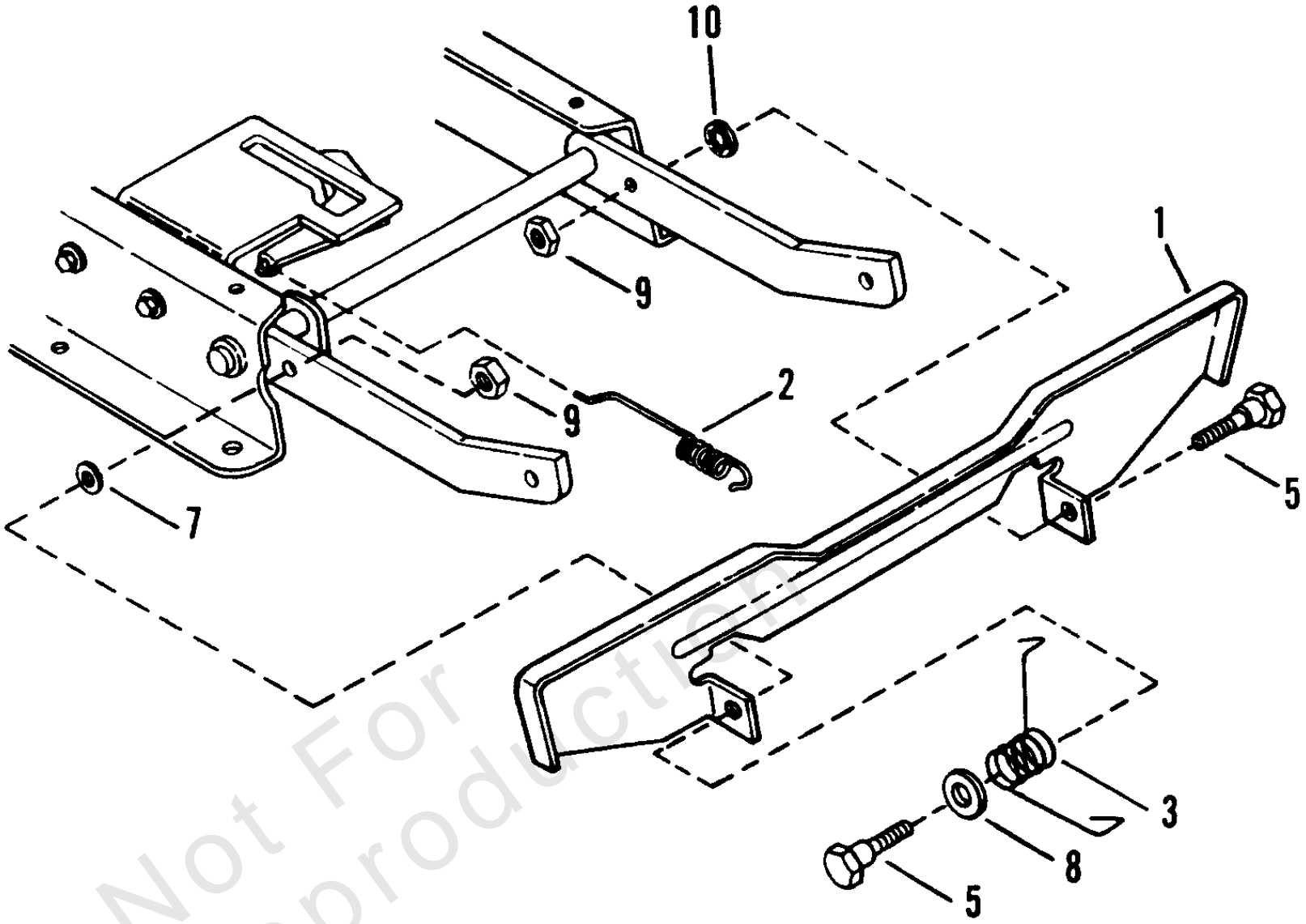
Belts, Brakes, Interlock (25", 28", 30", 33" Models)

REF NO	PART NO	QTY	DESCRIPTION
1	7022252		BELT, Drive
2	7018781		PULLEY, Spindle
3	7011029		PULLEY, Idler
4	7032111		RESTRICTOR, Belt
5	7047787		ARM, Idler
6	7012055		ROD, Idler
7	7041324		HANDLE, Blade Lever (On-Off)
8	7023657		GRIP, Handle
9	7018524		SWITCH, Deck Interlock
10	7038021		MOUNT, Handle
11	7014168		SPRING, Blade Handle
12	7014314		SPACER
13	7010740	2	RING, 2" External Retaining
14	7032169		DRUM, Brake
15	7052886		BAND, Brake
16	7014304		PIN, 1/4 x 1-5/8" Clevis
17	7014302		BOLT, 1/4-20 x 2-7/8" Eye
18	7014303		NUT, 1/4-20 Tee
19	7091576		NUT, 1/4-20 Hex -Was 90063
20	7090122		WASHER, 3/8" Flat
21	7091294		WASHER, 1/4 Flat -Was 90055
22	7074467		NUT, 3/4-16 Hex Jam -Was 10027
23	7090161		SCREW, 3/8-24 x 1-3/4" Hex Cap
24	7090289		NUT, 3/8-24 Hex Lock
25	7091597	3	PIN, 3/32 x 3/4" Cotter -Was 90037
26	7090299		SCREW, #10-32 x 1" Self-Tap
27	7091819		SCREW, 1/4-20 x 5/8" Self-Tap -Was 90362
28	7015290		HUB, Pulley
29	7010935	3	WASHER, 49/64 x 1-1/8" Flat
30	7032027	2	WASHER, 49/64 x 1-1/2" Flat

Blade Stop Pedals (25", 28" Models)

Note: Unless noted otherwise, use the standard torque specifications

Mfg. No: 80566



Blade Stop Pedals (25", 28" Models)

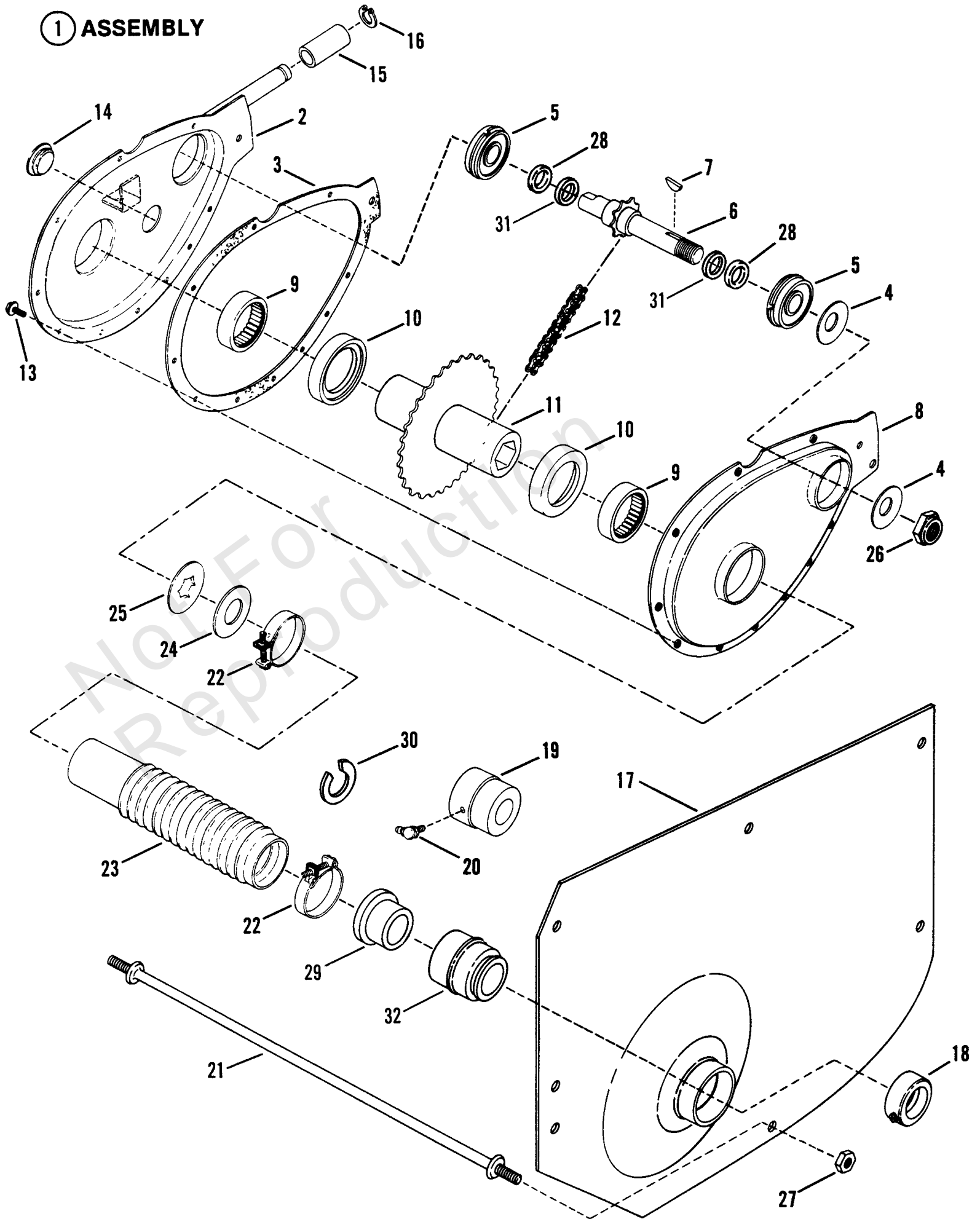
REF NO	PART NO	QTY	DESCRIPTION
1	7033601		PEDAL, Blade Stop Control
2	7019410		SPRING, Latching
3	7015448		SPRING, Pedal
5	7015446		BOLT, 3/8-24 x 9/16" Shoulder
7	7090122		WASHER, 3/8" Flat
8	7090250	2	WASHER, 1/2 Flat
9	7090289		NUT, 3/8-24 Hex Lock
10	7090390		WASHER, 3/8 Internal Tooth Lock

Not For Reproduction

Chain Case, L.H. Fender

Note: Unless noted otherwise, use the standard torque specifications

Mfg. No: 80566



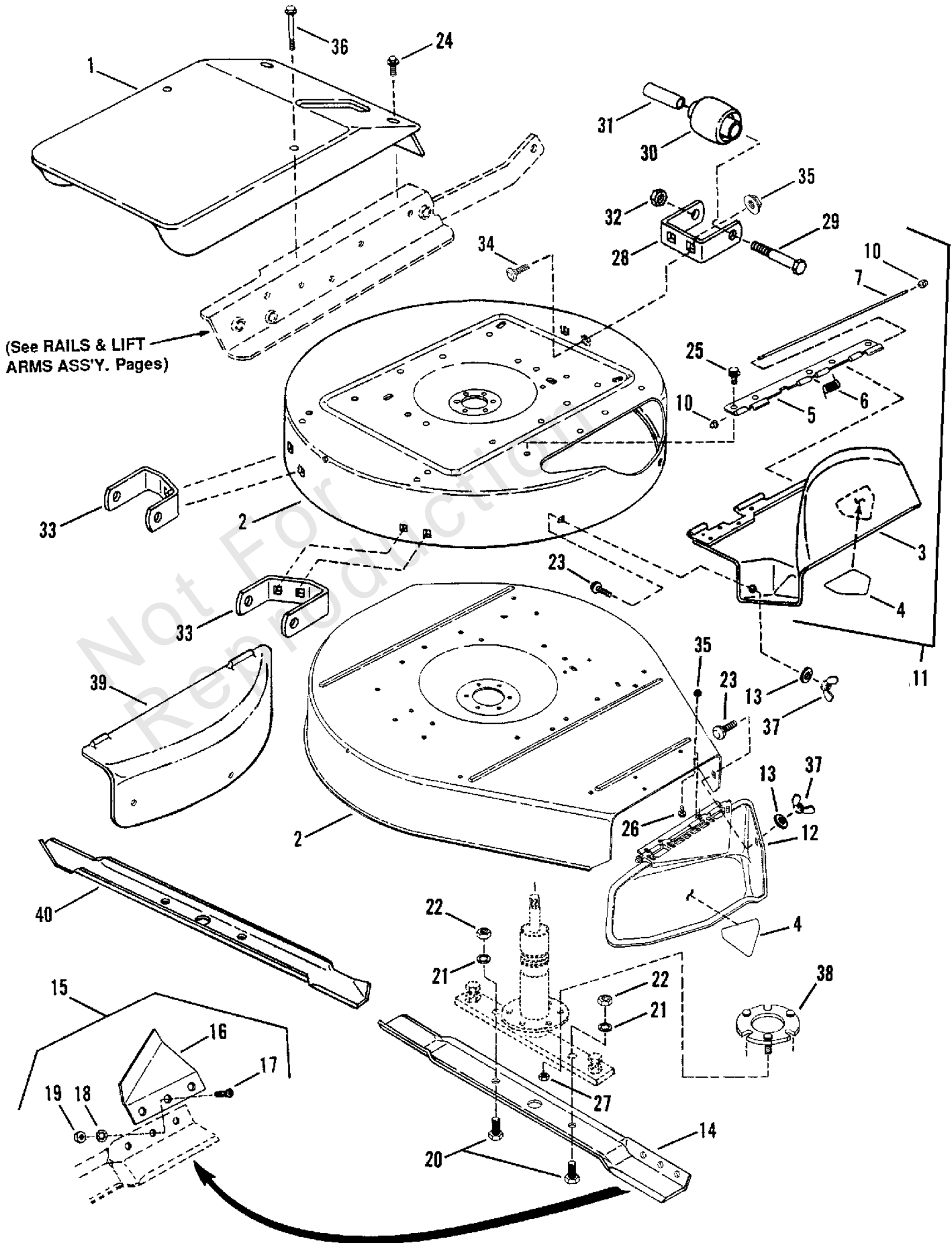
Chain Case, L.H. Fender

REF NO	PART NO	QTY	DESCRIPTION
1	7052683		ASSEMBLY, Chain Case -(Includes Items 2 Thru 13,15,16,31 Thru 35)
2	7041136		CASE, Sprocket
3	7028761		GASKET, Case Cover -Was 18059
4	7011121	2	WASHER, Belleville
5	7010756	2	BEARING, Ball
6	7018963		SPROCKET & SHAFT
7	7010614		KEY, 1/8 x 5/8" Woodruff
8	7039778		COVER, Chain Case
9	7010942	2	BEARING, Needle
10	7011086	2	WASHER, Nylon Thrust
11	7040355		HUB & SPROCKET
12	7010941		CHAIN
13	7090913	10	SCREW, #10-24 x 1/2" Hex Washer Self-Tap (Torx) -Was 90307
14	7011024		PLUG, Oil Fill & Check
15	7022785		ROLLER
16	7010776		RING, Retaining
17	7037285		FENDER, Left Hand -(8,10,12 HP Models)
	7037958		FENDER, Left Hand (12,5,14,16 HP Models) -51451 includes ball bearing
18	7014625		COLLAR, Lock -(Includes #90776 Set Screw-1/4-20 x 1/4")
19	7050918		BEARING, Left Hand Fender -(Includes Item 20) (8,10,12 HP Models)
20	7013324		FITTING, Lube
21	7011070		ROD, Cross-Tie
22	7011037	2	CLAMP, Boot
23	7075115		BOOT, Oil Seal -Was 17084
24	7011071		WASHER, Thrust Nylon
25	7011072		WASHER, Thrust
26	7091505		NUT, 5/8-18 Hex Lock -Was 91062
27	7010969		NUT, 5/16-24 Hex Flange Lock
28	7019260	2	O-RING
29	7023447		SPACER
30	7012271	AR	WASHER, Shim
31	7010690	6	WASHER, Shim
32	7014624		BEARING, Left Hand Fender -(12.5,14,16 HP Models)
	7051451		ASSEMBLY, Left Hand Fender -(Includes 37958 Left Hand Fender & 14624 Bearing) (12.5,14,16 HP Models)
	7090776		SCREW, Set-1/4-20 x 1/4"

Cutting Decks, Deflectors

Note: Unless noted otherwise, use the standard torque specifications

Mfg. No: 80566



Cutting Decks, Deflectors

REF NO	PART NO	QTY	DESCRIPTION
1	7073434	1	COVER, Spindle -Was 26130
2	7061969	1	25" DECK (Includes decals) -Was 61221
2	7061970	1	28" DECK (Includes decals)
2	7061971	1	30" DECK (Includes decals & deflector) -Was 61224
2	7061972	1	33" DECK (Includes decals) -Was 61225
3	7016046	1	DEFLECTOR, Discharge (25" Deck) -Does not include Hinge #7038370 & 4 Rivits #7013860
3	7026233	1	DEFLECTOR, Discharge (28" & 33" Deck)
4	7013010	1	DECAL, Danger (Cut Finger)
5	7039586	1	HINGE, Deflector
6	7016341	1	SPRING, Hinge
7	7032323	1	PIN, Hinge
10	7029840	2	NUT, Push -Was 11788
11	7054084	1	ASSEMBLY, Discharge (25" Deck) -Was 51976 or 57624 (Includes Item 3 - 11)
11	7052555	1	ASSEMBLY, Discharge (28" & 33" Deck) -(Includes Items 3 - 11)
12	7052553	1	DEFLECTOR, Discharge (30" Deck)
13	7090188	2	WASHER, 5/16 Flat
14	7019518	1	25" BLADE
14	7019515	1	28" BLADE
14	7018069	1	30" BLADE
14	7019523	1	33" BLADE
15	7060480	1	AIR LIFT KIT, Hi-Vac -(28", 33" Models) (Includes 16 Thru 19)
15	7060735	1	AIR LIFT KIT, Standard (2 hole)(Not shown) -(30" Models) (Includes 16 Thru 19)
16	7037723	2	AIR LIFT, Hi-Vac (3 hole) -(28", 33" Models)
16	7031724	2	AIR LIFT, Standard (2 hole)(Not shown) -(30" Models)
17	7090228	6	SCREW, 5/16-24 x 11/16" Machine
18	7090391	6	WASHER, 5/16-24 Internal Tooth Lock
19	7091297	6	NUT, 5/16-24 Hex -Was 90223
20	7090392	2	SCREW, 1/2-20 x 1" Hex Head Cap
21	7090509	2	WASHER, 1/2 Internal Tooth Lock
22	7090559	2	NUT, 1/2-20 Hex Jam
23	7091508	2	BOLT, 5/16-18 x 3/4" Short Neck Carriage -Was 90001
24	7090741	4	SCREW, 1/4-20 x 5/8" Self-Tapping -Was 91016
25	7090858	3	SCREW, 5/16-18 x 1/2" Self-Tapping
26	7090721	2	BOLT, 5/16-18 x 1/2" Hex Flange Lock
27	7091619	9	NUT, 3/8-16 Hex Flange Lock -Was 90613
28	7033570	1	BRACKET, Gage Wheel (Front)
29	7091532	3	SCREW, 3/8-24 x 3-3/4" Hex Head Cap -Was 90859

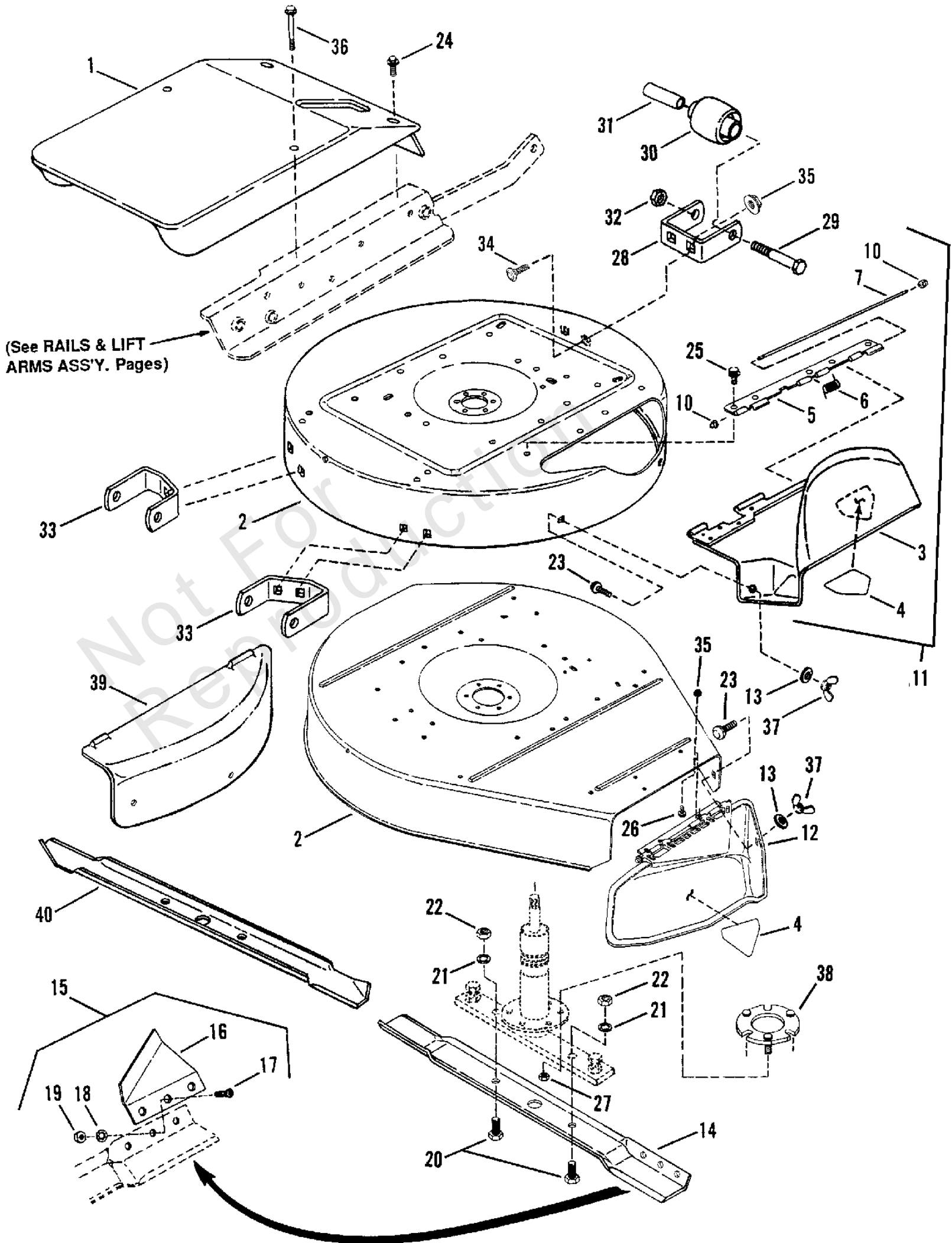
Footnotes:

Note: #3 deflector must be removed from 25" & 28" deck when installing Grass Catcher.

Cutting Decks, Deflectors

Note: Unless noted otherwise, use the standard torque specifications

Mfg. No: 80566



Cutting Decks, Deflectors

REF NO	PART NO	QTY	DESCRIPTION
30	7019190	3	WHEEL, Gage
31	7015272	3	SPACER
32	7090289	3	NUT, 3/8-24 Hex Lock
33	7033571	2	BRACKET, Gage Wheel (Rear)
34	7090731	6	BOLT, 5/16-18 x 1/2" Short Neck Carriage
35	7091601	8	NUT, 5/16-18 Hex Flange Lock -Was 90585
36	7091015	2	SCREW, 1/4-20 x 3/-1/2" Self-Tapping
37	7091537	2	NUT, 5/16-18 Wing -Was 90492
38	7053034	1	RING, Spindle
39	7016968	1	COVER, 25" Mulcher
39	7016983	1	COVER, 28" Mulcher
39	7016984	1	COVER, 33" Mulcher
40	7016967	1	BLADE, 25" Mulcher
40	7016980	1	BLADE, 28" Mulcher
40	7016982	1	BLADE, 33" Mulcher
	7061226		25" ABS Deck Assy. (Series 12&13) - Complete Unit (Not shown)
	7061228		28" ABS Deck Assy. (Series 12&13) - Complete Unit (Not shown)
	7061229		30" ABS Deck Assy. (Series 12&13) - Complete Unit (Not shown)
	7061230		33" ABS Deck Assy. (Series 12&13) - Complete Unit (Not shown)

Footnotes:

Note: #3 deflector must be removed from 25" & 28" deck when installing Grass Catcher.

No
Diagram
Available
Parts List
Only

Decals

REF NO	PART NO	QTY	DESCRIPTION
1	7023992		DECAL, 25 Inch
2	7023996		DECAL, 28 Inch
3	7023997		DECAL, 30 Inch
4	7022991		DECAL, 33 Inch
5	7024910		DECAL, 42 Inch
6	7023999		DECAL, SR 110
7	7024018		DECAL, SRM 110
8	7024010		DECAL, SR 120
9	7024012		DECAL, SR 130
10	7024020		DECAL, SRM 130
11	7024014		DECAL, SR 140
12	7024022		DECAL, SRM 140
13	7024016		DECAL, SR 150
14	7024238		DECAL, SR 160
15	7027777		DECAL, SR 1028
16	7027779		DECAL, SR 1030
17	7027780		DECAL, SR 1230
18	7027775		DECAL, SRM 1228
19	7027788		DECAL, SR 1333
20	7027787		DECAL, SRM 1333
21	7027781		DECAL, SR 1430
22	7027782		DECAL, SR 1433
23	7027890		DECAL, SR 1642
24	7024980		SNAPPER, (Molded Logo) -Was 16974 or 36438
25	7024070		DECAL, Convertible (Silver) -(25" Models)
26	7024068		DECAL, Convertible (Teal) -(28" Models)
27	7023994		LOGO, Convertible (Teal) -(30" Briggs Models)
28	7023995		LOGO, Convertible (Blue) -(30" Kohler Models)
29	7024067		LOGO, Convertible (Blue) -(33" Models)
30	7024066		LOGO, Twin Turbo (Blue) -(42" Models)
31	7024065		LOGO, Recycle (Green) -(Recycling Models)
32	7027776		LOGO, Recycling Mower (Green) (Ninja)
33	7024042		DECAL, Banner (Silver) -(25" Models)
34	7024043		DECAL, Banner (Teal) -(28",30" Models)
35	7024045		DECAL, Banner (Blue) -(30" Kohler, 33", 42" Models)
36	7024044		DECAL, Banner (Green) -(Recycling Models)
37	7024001		DECAL, Bumper Stripe (Silver) -(25" Models)
38	7023998		DECAL, Bumper Stripe (Teal) -(28" Models)
39	7024002		DECAL, Bumper Stripe (Teal) -(30" Models)
40	7024004		DECAL, Bumper Stripe (Blue) -(30" Kohler, 33", 42" Models)

No
Diagram
Available
Parts List
Only

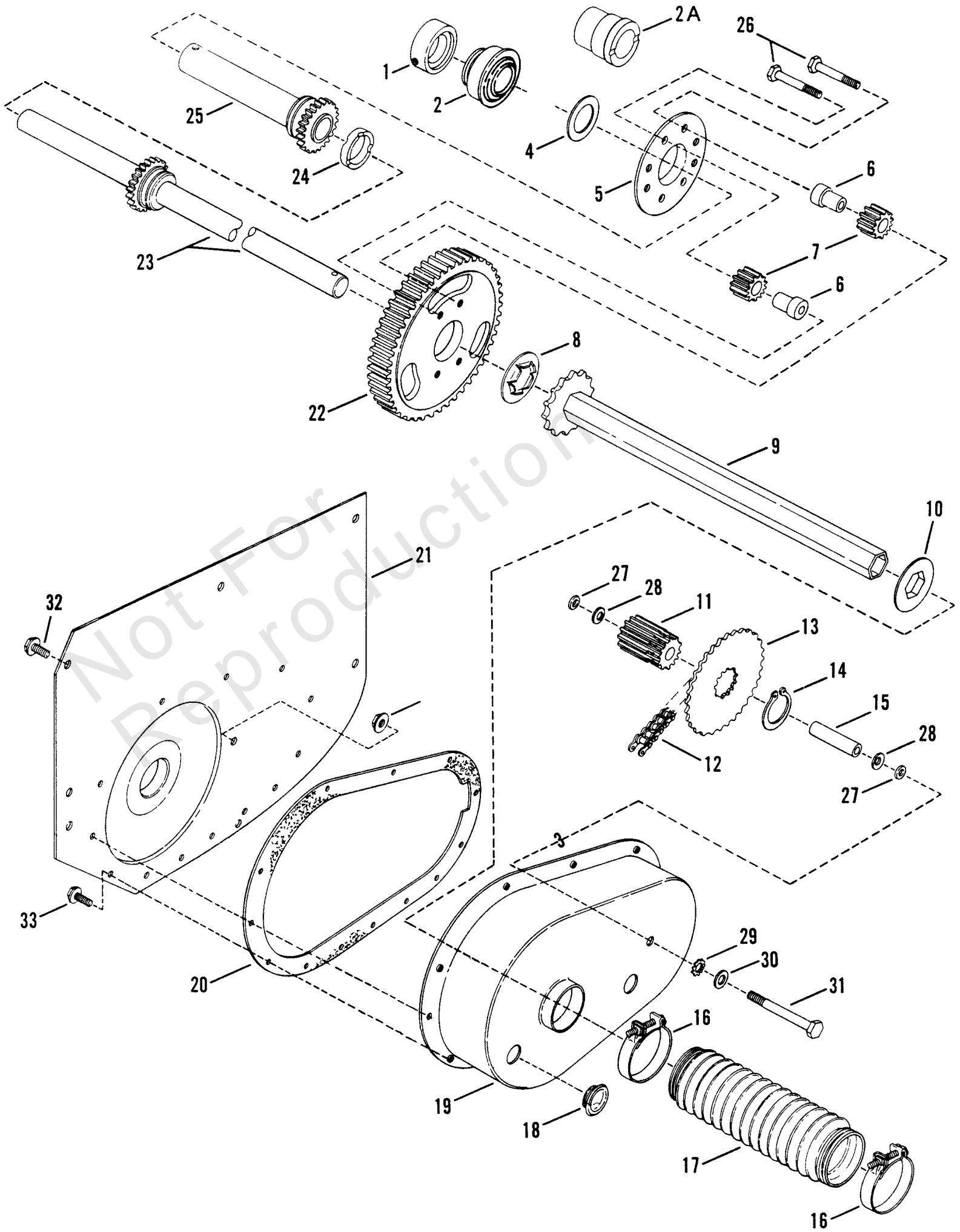
Decals

REF NO	PART NO	QTY	DESCRIPTION
41	7024003		DECAL, Bumper Stripe (Green) -(25", 28" Recycling Models)
42	7024059		DECAL, Bumper Stripe (Green) -(33" Recycling Models)
43	7022993		DECAL, Deep Drawn Chamber -(Recycling Models)
44	7017328		DECAL, Cut Height Recycling -(Recycling Models)
45	7017176		DECAL, Recycling Speed
46	7023980		DECAL, Back-up Recoil -(30" & 33" Kohler Models)
47	7023982		DECAL, OHV -(30" & 33" Kohler Models)
48	7023983		DECAL, 14 HP -(30" & 33" Kohler Models)
49	7024072		DECAL, Auto Blade Stop
50	7022448		DECAL, Safety Instruction Warning
51	7016972		DECAL, Caution Deflector
52	7014852		DECAL, Caution Rotating Blades -Was 16973
53	7013010		DECAL, Danger
54	7012358		DECAL, Battery Storage
55	7015691		DECAL, Caution Battery
56	7024506		DECAL, Fuel Shut-Off
57	7026419		DECAL, Height of Cut

Differential, R.H. Fender

Note: Unless noted otherwise, use the standard torque specifications

Mfg. No: 80566



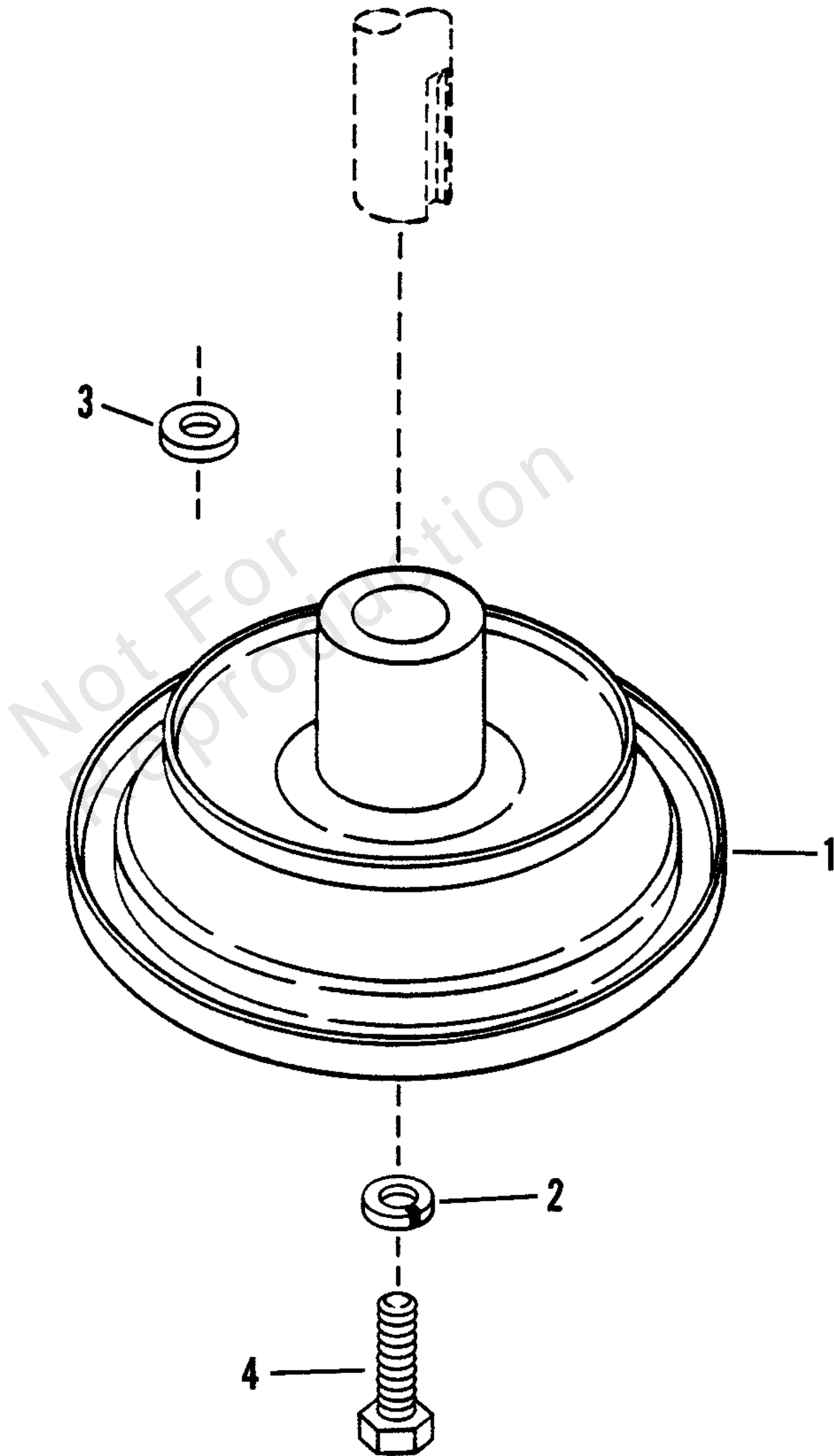
Differential, R.H. Fender

REF NO	PART NO	QTY	DESCRIPTION
1	7014401		COLLAR, Lock -(Includes #90201 Set Screw)
2	7018822		BEARING, Axle (Right Hand Fender) -(12.5,14,16 HP Models)
2A	7012296		BEARING, Axle (Right Hand Fender) -(8,10 HP Models)
?3	7010969		NUT, 5/16-24 Hex Flange Lock
4	7031079		WASHER, Thrust
5	7038067		PLATE, Differential
6	7022115	4	SPACER, Pinion
7	7021127		GEARS, Differential Pinion
8	7011072		WASHER, Thrust
9	7051584		ASSEMBLY, Drive Hex Tube
10	7010988		WASHER, Hex Insert
11	7010964		GEAR, 11 Teeth-10 Pitch
12	7010941		CHAIN, 46 Pitch (#35)
13	7021129		SPROCKET
14	7010965		RING, Retaining
15	7021128		SPACER
16	7011037	2	CLAMP, Boot
17	7075115		BOOT, Oil Seal -Was 17083
18	7011024		PLUG, Oil Fill & Check
19	7037279		CASE, Transmission
20	7028762		GASKET, Transmission Case -Was 18060
21	7037957		FENDER, Right Hand -(Commercial Models) #51452 includes ball bearing
	7037280		FENDER, Right Hand -(Standard Models)
22	7021158		GEAR, 63 Teeth-10 Pitch
23	7075479		AXLE, Long -Was 47763
24	7074431		SPACER, Differential (1.25" ID x .425 Wide) -Was 11026
25	7057398		AXLE, Short -(Includes Gear) (Use Only With Long Axle #47763)
26	7012333	4	SCREW, 5/16-24 x 1-5/8" Hex Cap Special Lock
27	7011156	2	O-RING, 5/16"
28	7011782	2	WASHER, Belleville
29	7090395		WASHER, 5/16 External Tooth Lock
30	7090188		WASHER, 5/16 Flat
31	7011042		BOLT, 5/16-24 x 2-5/8" Idler
32	7090361	11	SCREW, 5/16-18 x 5/8" Self-Tapping
33	7091819		SCREW, 1/4-20 x 5/8" Self-Tapping 13 -Was 90362
	7060411		KIT, Differential-Standard
	7060662		KIT, Differential-XT (Ball Bearing)
	7090201		SCREW, Set

Drive Disc Assembly

Note: Unless noted otherwise, use the standard torque specifications

Mfg. No: 80566



Drive Disc Assembly

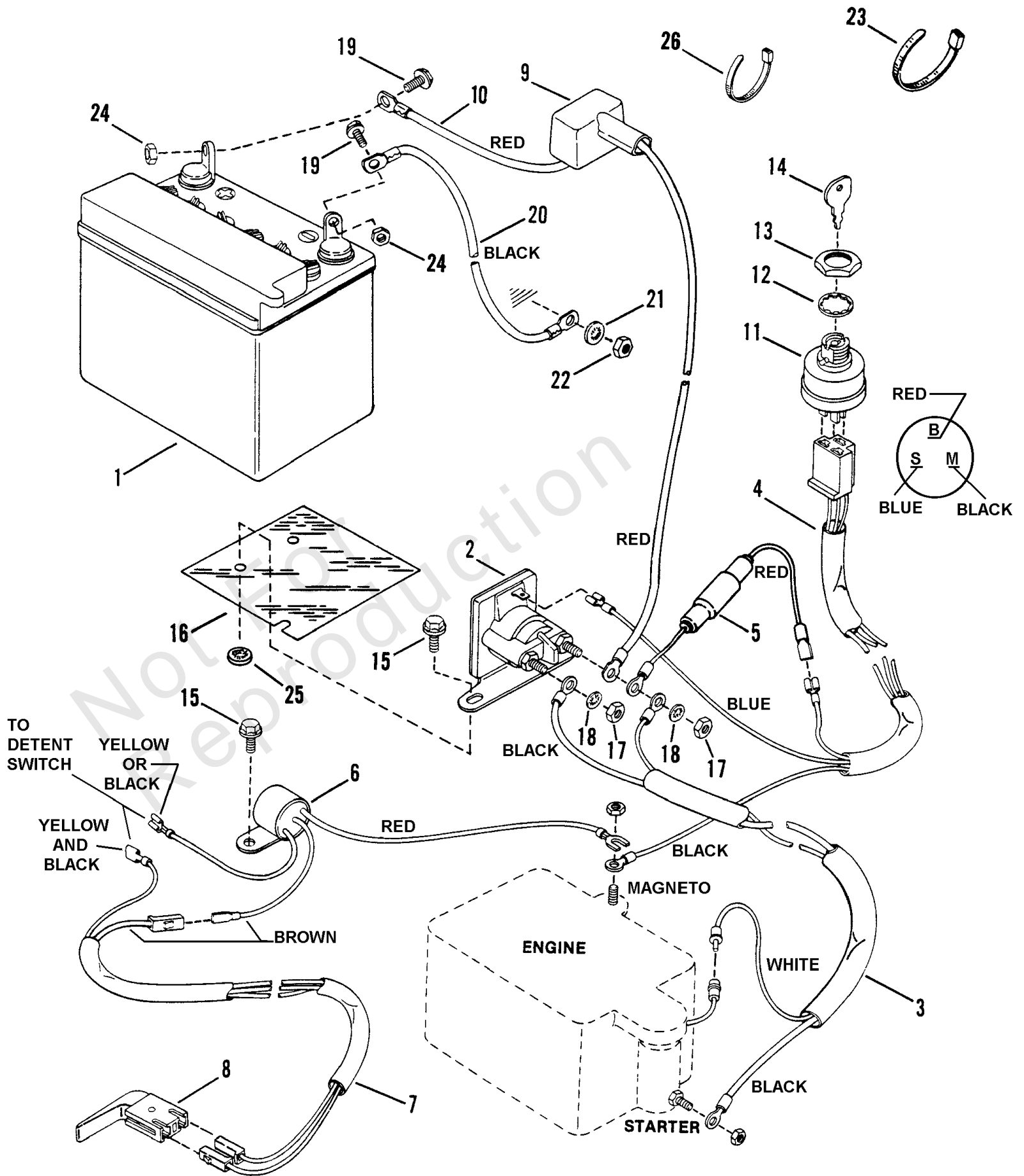
REF NO	PART NO	QTY	DESCRIPTION
1	7074187		ASSEMBLY, Drive Disc -Was 52810 (30" & 33" Models)
	7072658		ASSEMBLY, Drive Disc -Was 52811 or 53709 (25", 28" & 42" Models)
2	7090873		WASHER, 7/16 Internal Tooth Lock
3	7026249		SPACER -(14 & 16 HP Engines)
4	7090458		SCREW, 7/16-20 x 1" Hex Head Cap -(Briggs)
	7091116		SCREW, M10-1.5 x 25mm Hex Head Cap -(Kohler)

Not For Reproduction

Electrical Systems

Note: Unless noted otherwise, use the standard torque specifications

Mfg. No: 80566



Electrical Systems

REF NO	PART NO	QTY	DESCRIPTION
1	7060753		KIT, 12V Dry Charge Battery
2	7075671		SOLENOID -Was 18817
3	7022788		HARNESS, Starter Wiring w/Square Connector -(Briggs)
	7015430		HARNESS, Starter Wiring w/Round Connector -(Briggs)
	7019321		HARNESS, Starter Wiring w/"Y" Connector -For Kill Module (Kohler)
4	7019297		HARNESS, Ignition Wiring -(Briggs)
	7019322		HARNESS, Ignition Wiring -(Kohler & Tecumseh)
	7024237		HARNESS, Ignition Wiring -(16 HP Briggs Only)
5	7016168		HOLDER, Fuse -(Includes Fuse)
	7016169		FUSE (10 AMP)
6	7063064		INTERLOCK (Briggs) -Was 23782
	7063065		INTERLOCK (Kohler & Tecumseh) -Was 15759
	7063064		INTERLOCK (16 HP B&S only) -Was 24236
7	7019143		HARNESS, Deck Interlock Wiring
8	7018524		SWITCH, Deck Interlock
9	7012444		COVER, Battery Cable
10	7019326		CABLE, Positive (Red)
11	7018816		SWITCH, Ignition -Was 22880 (Used With Electric Start)
12	7091546		WASHER, 5/8 Internal Tooth Lock -Was 90880
13	7015438		NUT, 5/8-32 Hex
14	7073406	2	KEY, Switch (With Cover) -Was 23504
15	7091122	3	SCREW, 1/4-20 x 1/2" Self-Tapping -Was 90539
16	7022887		PROTECTOR, Solenoid
17	7091576	4	NUT, 1/4-20 Hex -Was 90063
18	7090053	2	WASHER, 1/4 Internal Tooth Lock
19	7090072	2	SCREW, 1/4-20 x 5/8" Hex Head Cap
20	7023812		CABLE, Negative
21	7090391		WASHER, 5/16 Internal Tooth Lock
22	7091511		NUT, 5/16-18 Hex -Was 90196
23	7012080	2	TIE, 7" Long Cable
24	7090372	2	NUT, 1/4-20 Hex Lock
25	7012485	2	RETAINER, 1/4 Bolt
26	7014451		TIE, 2" Long Cable

Exhaust Muffler & Engines

Note: Unless noted otherwise, use the standard torque specifications

Mfg. No: 80566

ENGINE SPECS.

8 H.P. B & S ENGINE
SNAPPER NO. 2-2551

10 H.P. B & S ENGINE
SNAPPER NO. 2-2552

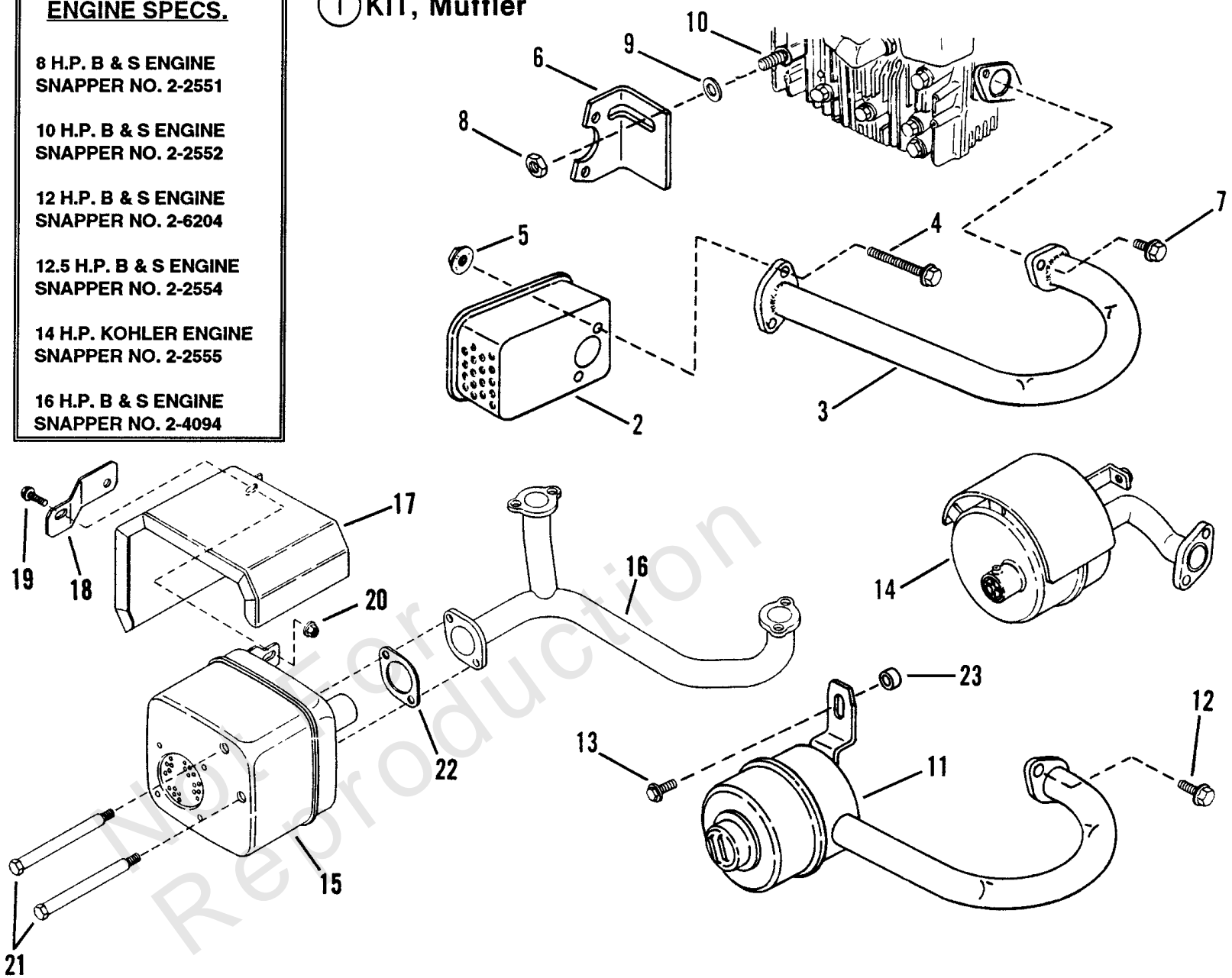
12 H.P. B & S ENGINE
SNAPPER NO. 2-6204

12.5 H.P. B & S ENGINE
SNAPPER NO. 2-2554

14 H.P. KOHLER ENGINE
SNAPPER NO. 2-2555

16 H.P. B & S ENGINE
SNAPPER NO. 2-4094

① KIT, Muffler



Exhaust Muffler & Engines

REF NO	PART NO	QTY	DESCRIPTION
1	7060316	1	KIT, Muffler -(Includes Items 2 Thru 10) (8 HP Models)
2	7018198	1	MUFFLER
3	7018197	1	TUBE, Exhaust
4	7091830	2	SCREW, 5/16-18 x 3" Hex Head Cap -Was 90553
5	7091601	2	NUT, 5/16-18 Hex Flange Lock -Was 90585
6	7032414	1	BRACKET, Muffler
7	7090072	2	SCREW, 1/4-20 x 5/8" Hex Head Cap
8	7091511	1	NUT, 5/16-18 Hex -Was 90196
9	7012418	1	WASHER, 21/64 Flat
10	7012419	1	STUD, Cylinder Head
11	7051996	1	MUFFLER -(10,11.5,12.5 HP Briggs)
12	7091318	2	SCREW, 5/16-18 x 3/4" Hex Head Cap -Was 90206
13	7091495	1	SCREW, 1/4-20 x 3/4" Hex Head Cap -Was 90073 (12.5 HP Models)
13	7091127	1	SCREW, 1/4-20 x 7/8" Machine -(10 & 11.5 Models)
14	7019358	1	MUFFLER -(14 HP Kohler)
15	7024241	1	MUFFLER -(16 HP Briggs) (42" Models Only)
16	7052779	1	MANIFOLD, Exhaust -(42" Models Only)
17	7033594	1	SHIELD, Muffler -(42" Models Only)
18	7033589	1	BRACE, Muffler -(42" Models Only)
19	7090596	1	BOLT, 1/4-20 x 5/8" Hex Flange Lock -(42" Models Only)
20	7091584	1	NUT, 1/4-20 Hex Flange Lock -Was 90583 (42" Models Only)
21	7024161	2	BOLT, 5/16-18 (1/2") x 4" Shoulder -(42" Models Only)
22	7014509	1	GASKET, Exhaust -(42" Models Only)
23	7021866	1	SPACER -(10 HP Models)
	-----	1	* ENGINE, 8 HP (B&S 195707-0133-01)
	-----	1	* ENGINE, 10 HP B & S
	-----	1	* ENGINE, 12 HP (B&S 283707-0136-01)
	-----	1	* ENGINE, 12.5 H.P. B & S
	-----	1	* ENGINE, 14 HP (Kohler CV14ST PS-1469)
	-----	1	* ENGINE, 16 HP (B&S 303777-0418-01)
	7060489	1	BAG Hardware (Not shown) -(Includes Items 4 Thru 10)

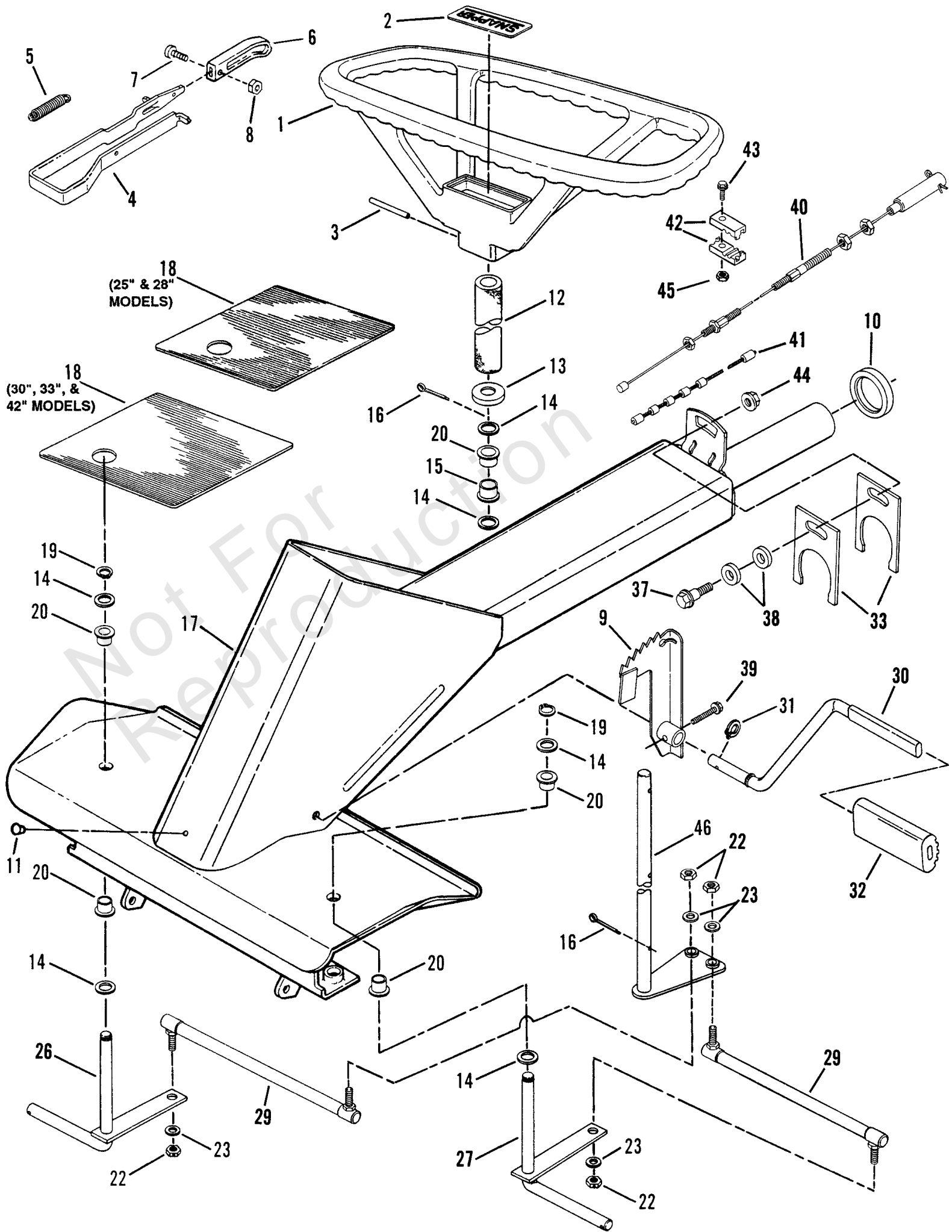
Footnotes:

Note: * Purchase engine parts from engine manufacturer dealer.

Front End Steering (Part 1)

Note: Unless noted otherwise, use the standard torque specifications

Mfg. No: 80566



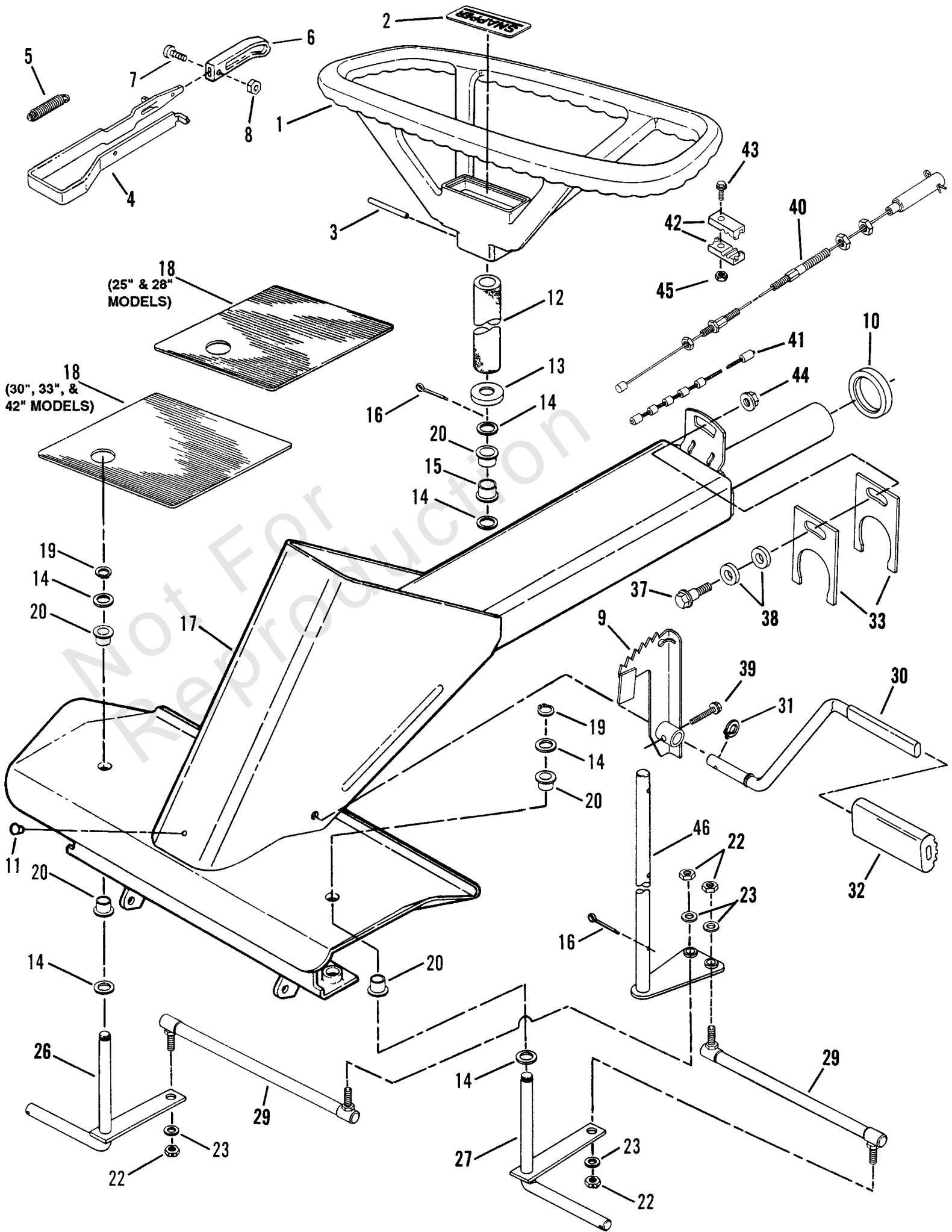
Front End Steering (Part 1)

REF NO	PART NO	QTY	DESCRIPTION
1	7051941		ASSEMBLY, Steering Wheel -(Includes Item 2)
2	7023781		DECAL, Snapper
3	7013862		PIN, 1/4 x 1-1/2" Roll
4	7041144		BRACKET, Clutch/Brake
5	7023666		SPRING
6	7023655		KNOB
7	7091017		SCREW, #8-32 x 3/8" Cross Recess
8	7091018		NUT, #8-32 Hex
9	7041004		ARM, Clutch/Brake
10	7022372		SPACER, Main Tube
11	7016704		PLUG
12	7023667		COVER, Steering Shaft (Foam)
13	7023671		COVER
14	7010935		WASHER, 314 Flat
15	7019166		BUSHING, 3/4" Steering Shaft
16	7091515	2	PIN, 3/16 x 1-1/2" Cotter -Was 90753
17	7041654		FRAME, Front -Was 41393 (25" & 28" Models)
	7041653		FRAME, Front -Was 41398 (30", 33" & 42" Models)
18	7023660		PAD, Foot -(Right Side Shown) (25" & 28" Models)
	7023663		PAD, Foot -(Right Side Shown) (30", 33", & 42" Models)
	7023659		PAD, Foot -(Left Side 25" & 28" Models) (Not Shown)
	7023662		PAD, Foot -(Left 33", & 42" Models) (Not Shown)
19	7010746	2	RING, Retaining
20	7010986	5	BEARING
22	7091297	4	NUT, 5/16-24 Hex -Was 90223
23	7090187	4	WASHER, 5/16 Split Lock
26	7041686		PIN, Wide King (Right Side) -Was 41396
27	7041397		PIN, Wide King (Left Side)
29	7024935	2	TIE-ROD -(30", 33" 42" Models)
30	7024735		PEDAL, Clutch/Brake
31	7010739		RING, 5/8" External Retaining
32	7012661		PAD, Clutch/Brake Pedal
33	7028395		SPACER, Pivot -Was 22589
37	7024267		BOLT, 318-24 x 5/8" Hex Shoulder
38	7022881	2	SPACER
39	7091524		SCREW, 5/16-18 x 1-1/4" Self-Tapping -Was 91151
40	7022344		CABLE, Brake
41	7029913		CABLE, Clutch -Was 22451
42	7034174		UNION, Cable
43	7091495		BOLT, 1/4-20 x 3/4" Hex Flange Lock -Was 90073

Front End Steering (Part 1)

Note: Unless noted otherwise, use the standard torque specifications

Mfg. No: 80566



Front End Steering (Part 1)

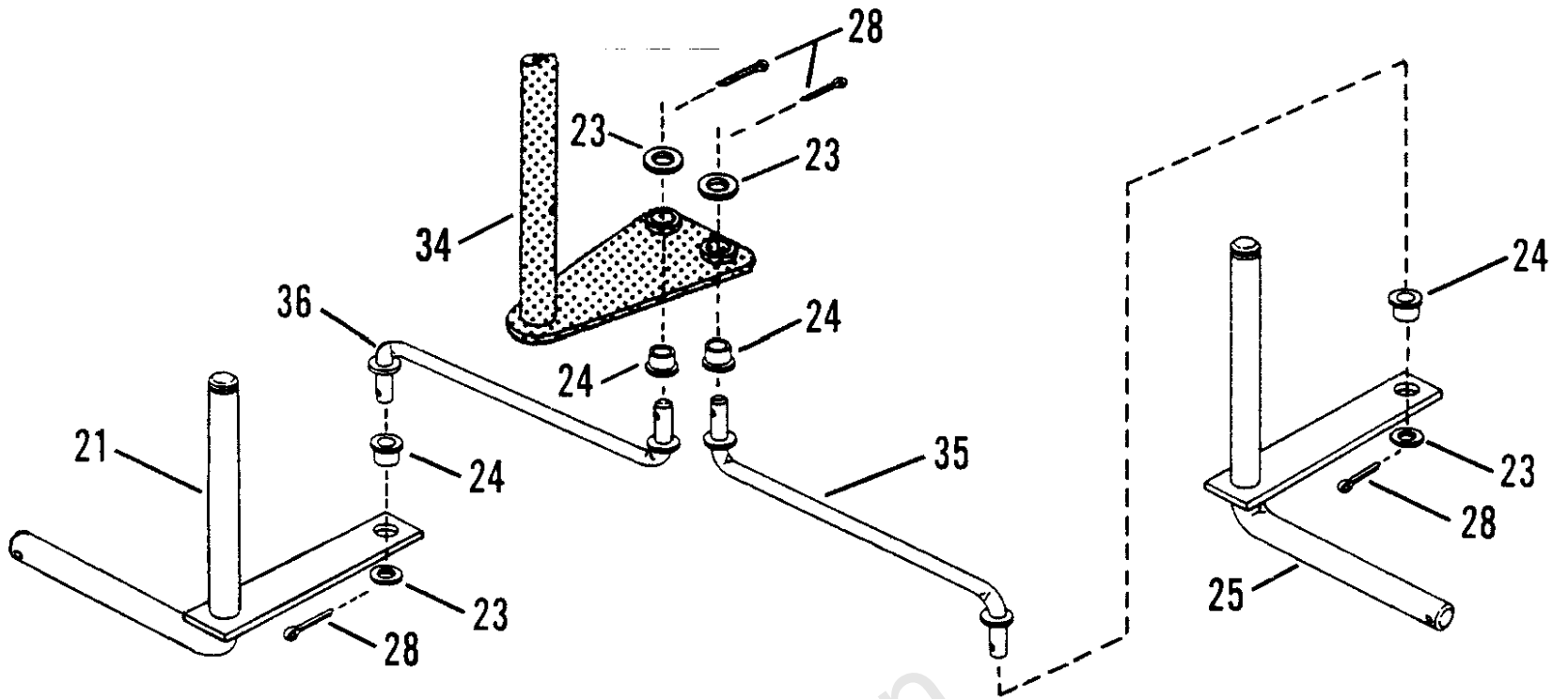
REF NO	PART NO	QTY	DESCRIPTION
44	7090962		NUT, 3/8-24 Hex Flange Lock
45	7090372		NUT, 1/4-20 Hex Center Lock
46	7041553		SHAFT, Steering (Wide Front End) -Was 41395

Not For Reproduction

Front End Steering (Part 2)

Note: Unless noted otherwise, use the standard torque specifications

Mfg. No: 80566



Not For
Reproduction

Front End Steering (Part 2)

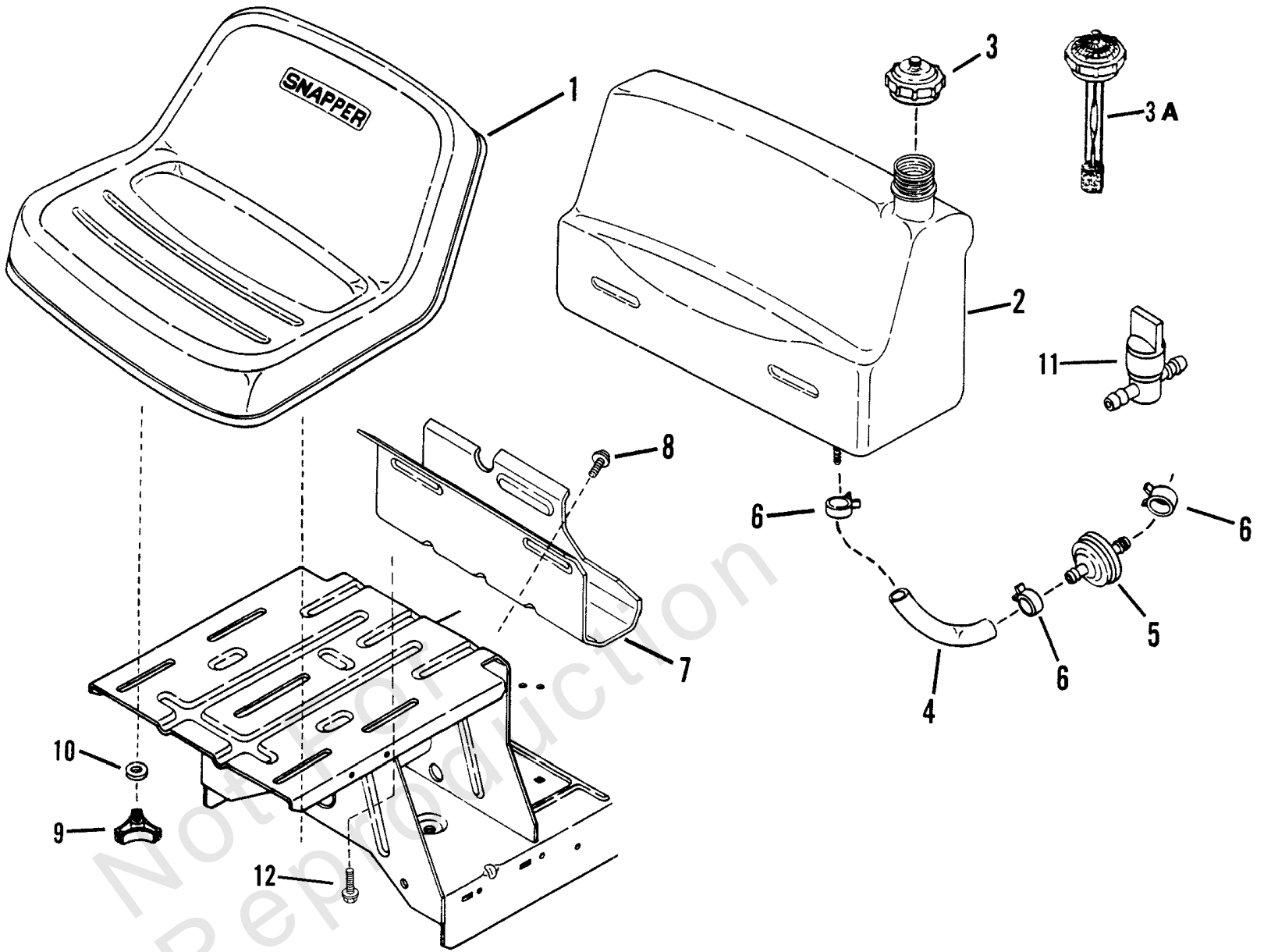
REF NO	PART NO	QTY	DESCRIPTION
21	7041688		PIN, Narrow King (Right Side) -Was 41382
23	7090187	4	WASHER, 5/16 Split Lock
24	7013321	4	BUSHING
25	7041383		PIN, Narrow King (Left Side)
28	7091516	2	PIN, 5/32 x 1" Cotter -Was 90364
34	7041381		SHAFT, Steering (Narrow Front End)
35	7024915		TIE-ROD, Left Side -(25" & 28" Models)
36	7024916		TIE-ROD, Right Side -(25" & 28" Models)

Not For Reproduction

Fuel Tank & Operators Seat

Note: Unless noted otherwise, use the standard torque specifications

Mfg. No: 80566



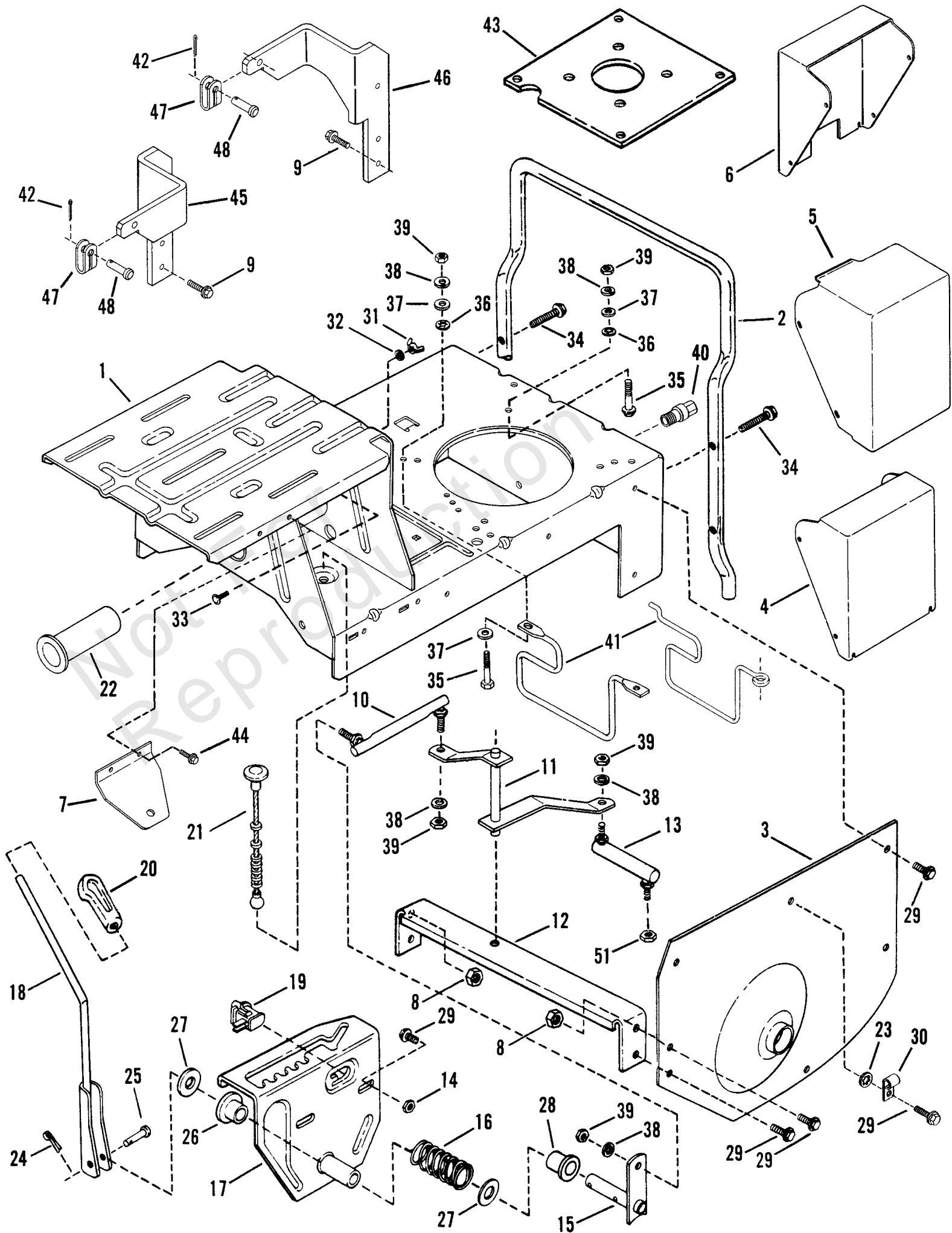
Fuel Tank & Operators Seat

REF NO	PART NO	QTY	DESCRIPTION
1	7028650		SEAT, Operator -Was 16749 (25" Models)
	7028650		SEAT, Operator -Was 16082 (25" & 28" Recycling Models)
	7028650		SEAT, Operator -Was 24093 (28" & 30" 10 HP Models)
	7024264		Replacement Seat Cover -(For 24093 Seat)
	7028650		SEAT, Operator -Was 22585 (28", 30", 33", 42" 11.5, 12.5, 14, 16 HP Models)
2	7051905		ASSEMBLY, Fuel Tank -(Includes Item 3)
	7052435		ASSEMBLY, Fuel Tank -(Includes Item 3A) (42" Models Only)
3	7012515		CAP, Fuel Tank
3A	7019377		CAP, Fuel Tank/with Gauge -(42" Models Only)
4	7032015		HOSE, Fuel (7" Long)
	7073240		HOSE, Fuel (5" Long) -Was 32038
	7076272		HOSE, Fuel (8-1/2" Long)
	7024247		HOSE, Fuel (24-1/4" Long)
5	7014359		FILTER, Fuel (In-Line)
6	7029900	4	CLAMP, Fuel Line -Was 12222
7	7033377		BRACKET, Fuel Tank (Rear)
8	7091001	2	SCREW, 5/16-18 x 5/8" Self-Tapping
9	7023191	2	KNOB, Seat Adjusting
10	7013849	2	SPACER, 5/16
11	31212		VALVE, Fuel Shut-Off (Metal)
12	7091038	2	BOLT, 5/16-18 x 1/2" Hex Flange Lock

Main Case

Note: Unless noted otherwise, use the standard torque specifications

Mfg. No: 80566



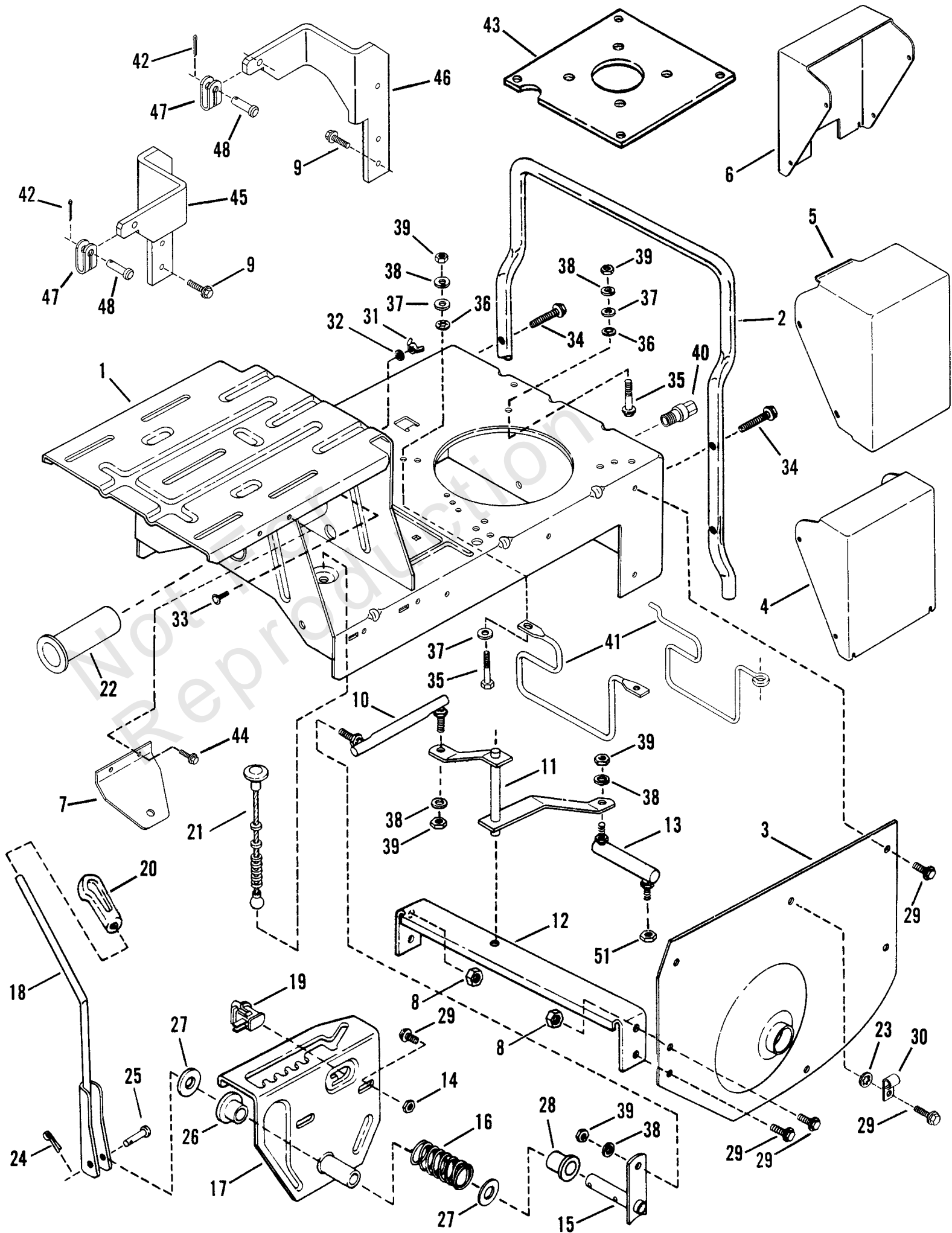
Main Case

REF NO	PART NO	QTY	DESCRIPTION
1	7041356		CASE, Main -(Standard)
2	7036367		BUMPER, Rear
	7033587		BUMPER, Rear -(42" Models Only)
3	7037958		FENDER, Left Hand -(See "Chain Case, L.H. Fender" illustration and parts list for related parts)
4	7028989		COVER -Was 16085 (European Models Only)
5	7028990		COVER, Battery -Was 16084 or 24319
	7028990		COVER, Battery -Was 17605 or 24319 (42" Models Only)
6	7028989		COVER, Switch -Was 17074
7	7033569		PLATE, Choke -(42" Models Only)
8	7091601	2	NUT, 5/16-18 Hex Flange Lock -Was 90585
9	7090369	6	SCREW, 5/16-18 1" Self-Tapping
10	7023676		LINK, Shift (Long)
11	7041384		ARM, Shift
12	7033799		BRACE, Cross
13	7011018		LINK, Shift (Short)
14	7091511	2	NUT, 5/16-18 Hex -Was 90196
15	7040598		ARM, Shift Handle
16	7010754		SPRING, Shift Handle
17	7041232		DETENT, Shift -Was 41385
18	7059212		HANDLE, Shift -Was 40599 (Now 59212 + 23656)
19	7015707		SWITCH, Seat
20	7023656		KNOB, Shift Handle
21	7027429		CABLE, Deck Support 5.0", 7 Furrels (Used on 25" thru 33" models) -Was 26274
22	7074650		BUSHING, Pilot -Was 22509
23	7090391		WASHER, 5/16 Internal Tooth Lock
24	7091597		PIN, 3/32 x 3/4" Cotter -Was 90037
25	7023914		PIN, 1/4 x 1-3/4" Tapered Clevis
26	7019245		BUSHING, Nylon
27	7031036	2	WASHER, Thrust
28	7019246	2	BUSHING, Nylon
29	7090361	14	SCREW, 5/16-18 x 5/8" Self-Tapping
30	7012656		CLIP, Wire
31	7091039	8	NUT, #10-24 Locking Wing
32	7091037	8	RETAINER, #10 Bolt
33	7090530	8	BOLT, #10-24 x 1/2" Carriage
34	7091506	4	SCREW, 5/16-18 x 1-1/2" Self-Tapping -Was 90484
35	7090244	4	SCREW, 5/16-24 x 1-3/4" Hex Head Cap
36	7011791	4	RETAINER, 5/16 Bolt
37	7090188	4	WASHER, 5/16" Flat
38	7090187	8	WASHER, 5/16" Split Lock

Main Case

Note: Unless noted otherwise, use the standard torque specifications

Mfg. No: 80566



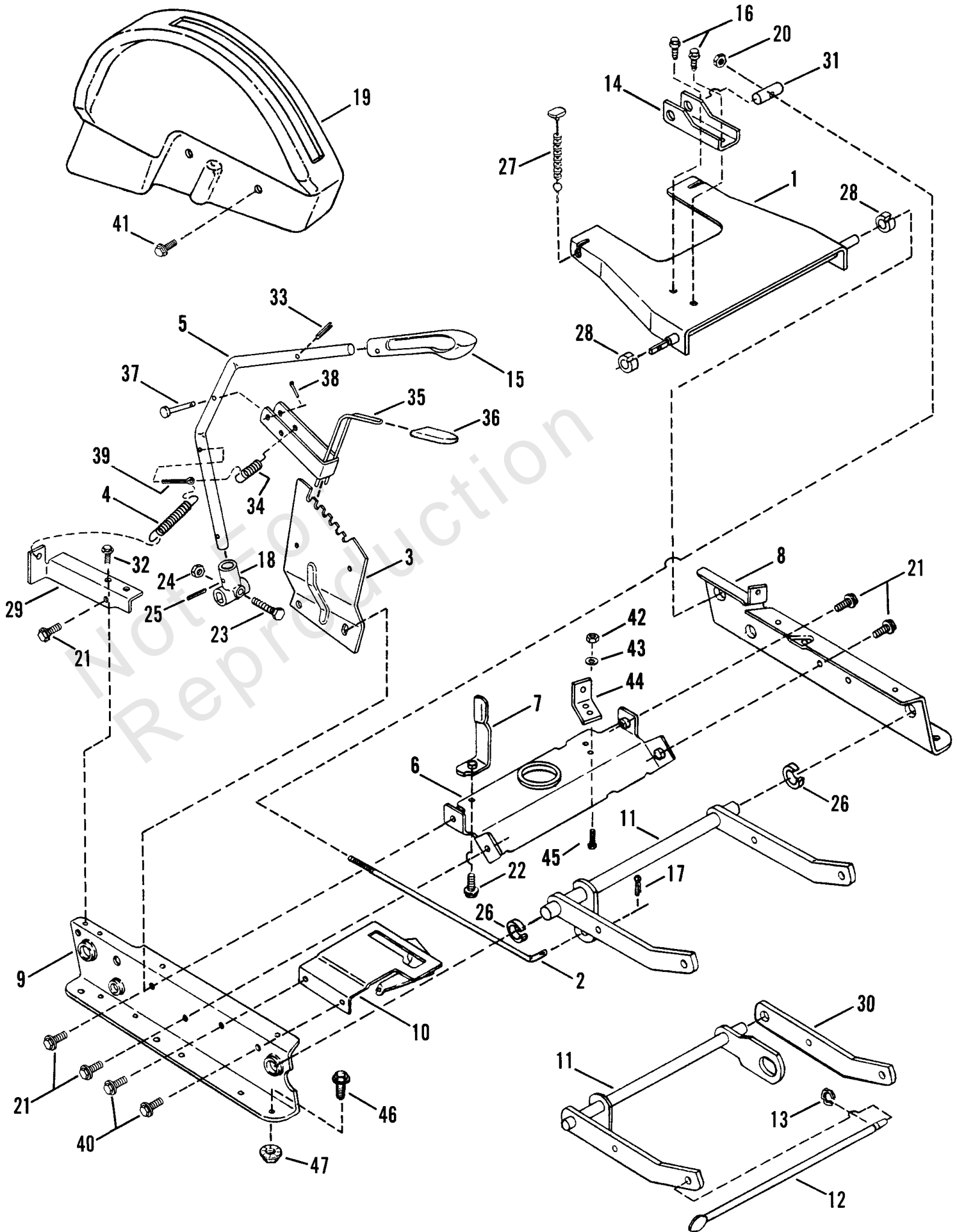
Main Case

REF NO	PART NO	QTY	DESCRIPTION
39	7091297	8	NUT, 5/16-24 Hex -Was 90223
40	7022486		DRAIN, Oil (Short)
41	7017653		GUIDE, Belt -(25" & 28" Models)
41	7017604		GUIDE, Belt -(30" 10 HP & 11.5 HP, 33" 12.5 HP)
41	7024164		GUIDE, Belt -(16 HP 42" Models)
41	7027974		GUIDE, Belt -(14 HP Kohler)
42	7091597	2	PIN, 3/32 x 3/4" Cotter -Was 90037
43	7032982		PLATE, Engine
44	7091819	2	SCREW, 1/4-20 x 5/8" Self-Tapping -Was 90362
45	7033223		DECK WING, Rear 42" Models (Left) -(Early Production Model Shown); See "42" Rails, Lift Arms, Cam Lift" illustration and parts list for all Deck-Wings and related parts.
46	7033224		DECK WING, Rear 42" Models (Right) -(Early Production Model Shown); See "42" Rails, Lift Arms, Cam Lift" illustration and parts list for all Deck-Wings and related parts.
47	7032276		BRACKET, Cable -Was 33313
48	7029687	2	PIN, 3/8 x 1 1/16" Clevis -Was 10736
51	7010969		NUT, 5/16-24 Hex Flange Lock

Rails, Lift Arms, Cam Lift (25", 28", 30", 33" Models)

Note: Unless noted otherwise, use the standard torque specifications

Mfg. No: 80566



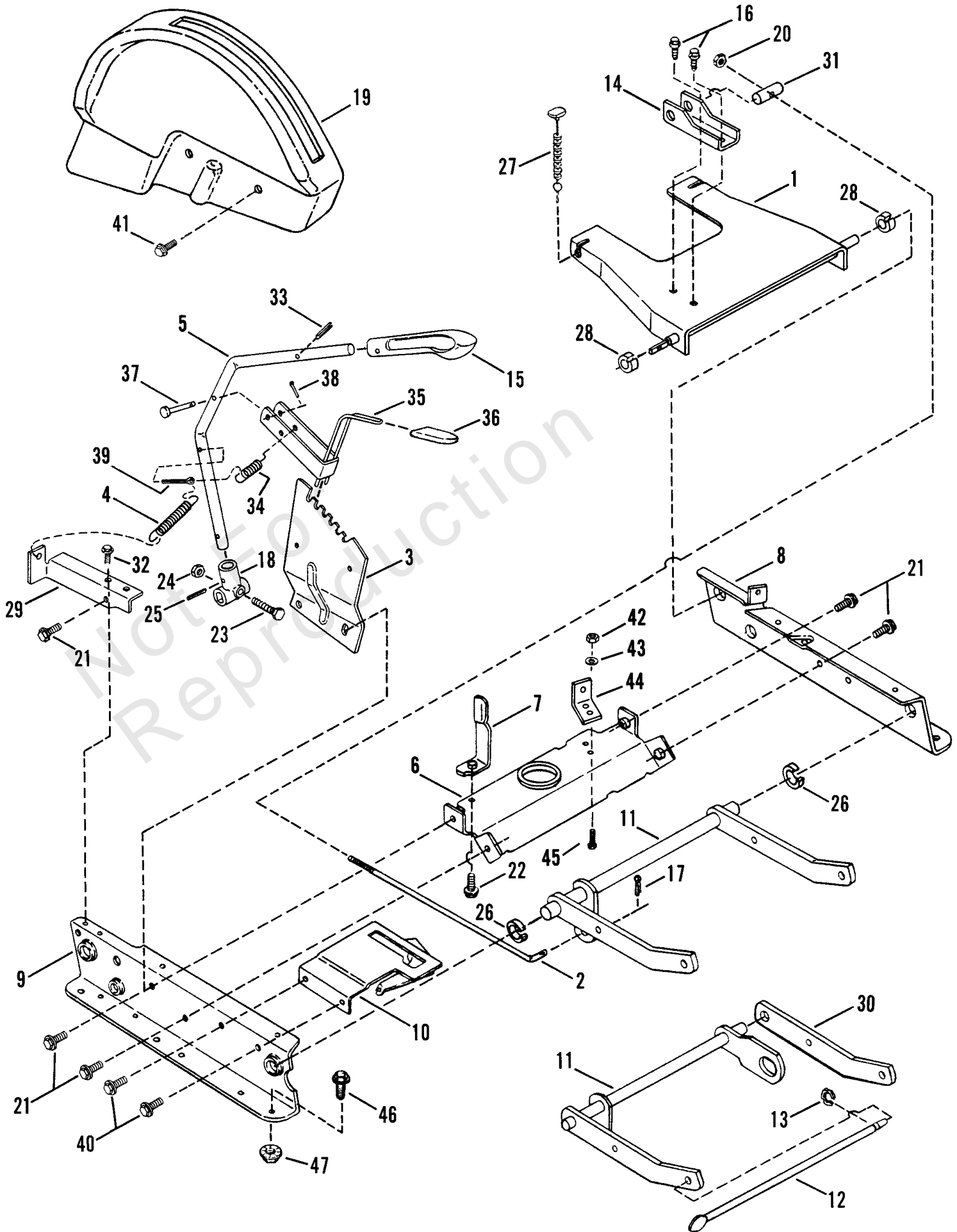
Rails, Lift Arms, Cam Lift (25", 28", 30", 33" Models)

REF NO	PART NO	QTY	DESCRIPTION
1	7041389		ARM, Rear Lift
2	7016122		ROD, Leveling
3	7033765		QUADRANT, Lift Lever
4	7024914		SPRING, Extension
5	7024878		LEVER, Lift
6	7031838		BRACE, Top
7	7031855		GUIDE, Belt
8	7063062		RAIL, Left Hand -Was 33779
9	7036430		RAIL, Right Hand -Was 33766
10	7058969		ASSEMBLY, Clutch Plate -Was 51310
11	7040684		ARM, Front Lift, Non-Adjustable -(25" & 28" Models)
	7040685		ARM, Front Lift, Adjustable -(30", 33" Models)
12	7022717		ROD, Support (Front Lift Arm to Front End)
13	7017847		RING, 7/16 Retaining
14	7033008		ARM, Leveling
15	7023658		GRIP, Height Adjustment Lever
16	7091001	2	SCREW, 5/16-18 x 5/8" Self-Tapping (Torx)
17	7091598		PIN, 1/8 x 3/4" Cotter -Was 90365
18	7025049		HUB, Deck Lift
19	7026394		COVER, Height of Cut
20	7090854		NUT, 3/8-24 Hex Nyloc
21	7091198	6	SCREW, 3/8-16 x 5/8" Self-Tapping
22	7090361		SCREW, 5/16-18 x 5/8" Self-Tapping
23	7011035		BOLT, 5/16-24 x 1-5/8" Tapered Axle
24	7090480		NUT, 5/16-24 Hex Flange Lock
25	7013550		PIN, 3/16 x 1" Roll
26	7012067	2	RING, Red
27	7027429		CABLE, Rear Deck 5.0", 7 Furrels -Was 26274
28	7022112		RING, White
29	7024762		BRACKET, Deck Lift
30	7032997		ARM, Front Lift-Left -(30" & 33" Models)
31	7022082		PIVOT, Leveling
32	7091084		SCREW, 1/4-20 x 3/8" Self-Tapping
33	7090844		PIN, 3/16 x 3/4" Roll
34	7026292		SPRING, Latch
35	7041470		LATCH
36	7026286		GRIP, Lift Latch
37	7011021		PIN, Clevis
38	7090360		PIN, 1/16 x 3/4" Cotter
39	7091515		PIN, 3/16 x 1 1/2" Cotter -Was 90753
40	7090858		SCREW, 5/16-18 x 1/2" Self-Tapping
41	7090741		SCREW, 1/4-20 x 5/8" Hex Head, Self-Tapping -Was 91016
42	7091297	2	NUT, 5/16-24 Hex 2 -Was 90223

Rails, Lift Arms, Cam Lift (25", 28", 30", 33" Models)

Note: Unless noted otherwise, use the standard torque specifications

Mfg. No: 80566



Rails, Lift Arms, Cam Lift (25", 28", 30", 33" Models)

REF NO	PART NO	QTY	DESCRIPTION
43	90321	2	WASHER, 5/16 Internal Tooth Lock
44	7032243		ANCHOR
45	7090233	2	SCREW, 5/16-24 x 3/4" Hex Head Cap
46	7090606		BOLT, 5/16-18 x 5/8" Hex Flange Lock
47	7091601		NUT, 5/16-18 Hex Flange Lock -Was 90585
	7061803		KIT, Wide Chain

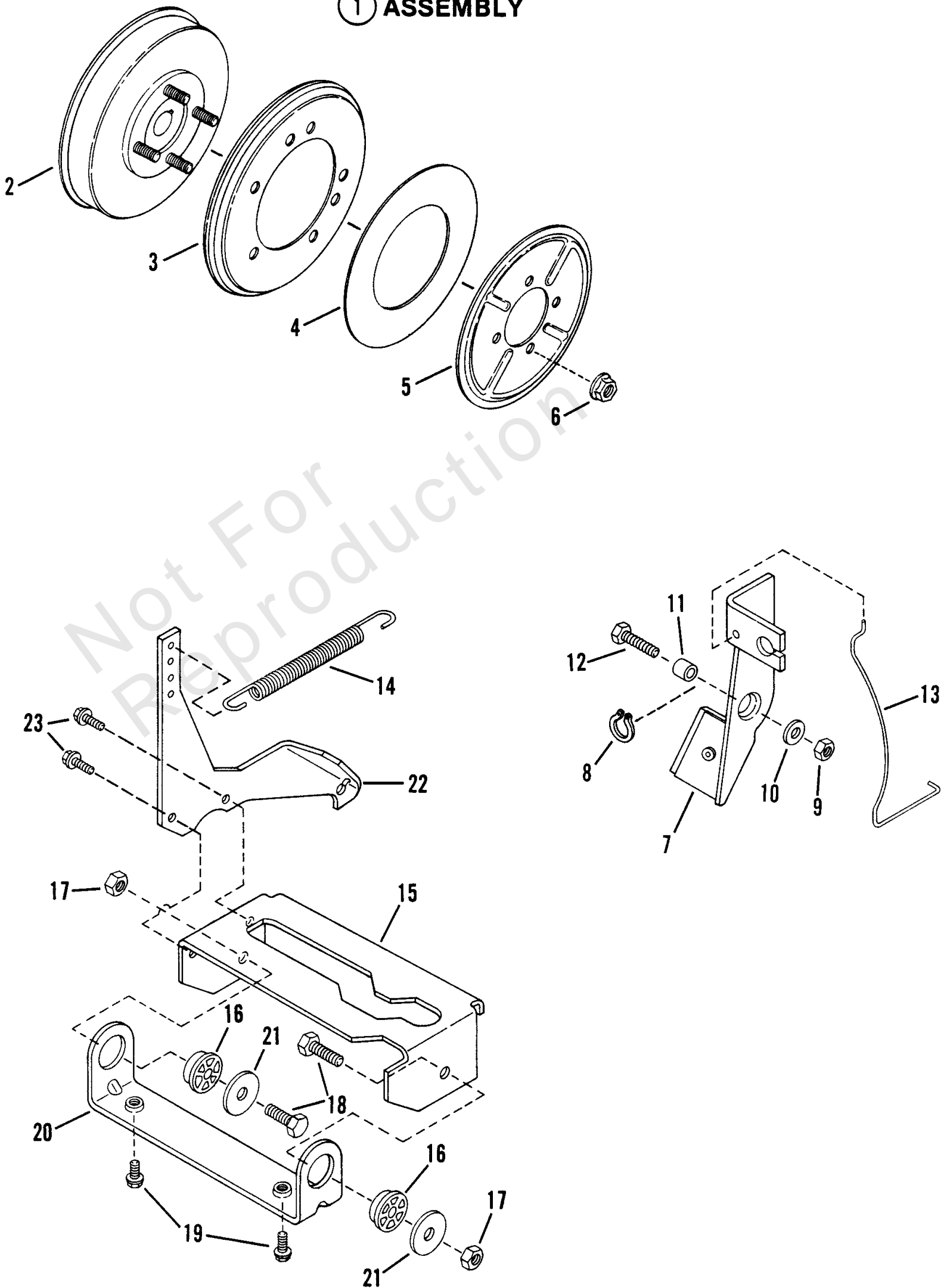
Not For Reproduction

Smooth Clutch Assembly

Note: Unless noted otherwise, use the standard torque specifications

Mfg. No: 80566

① ASSEMBLY



Smooth Clutch Assembly

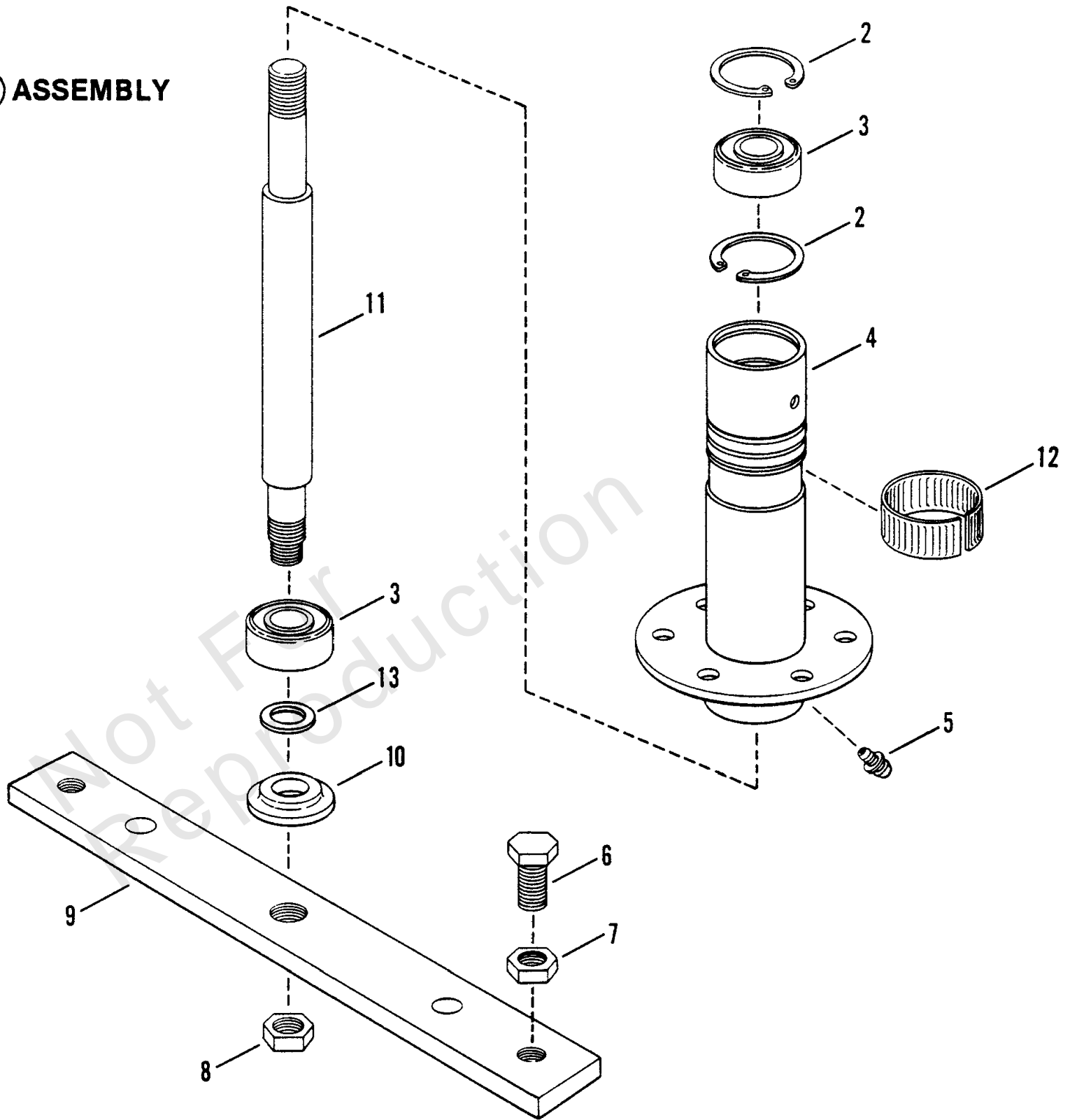
REF NO	PART NO	QTY	DESCRIPTION
1	7053114		ASSEMBLY, Smooth Clutch -(Includes Items 2 Thru 6)
2	7059443		HUB, Driven Disc -Was 57338
3	7053103		DISC, Driven
4	7014523		WASHER, Thrust
5	7032331		PLATE
6	7091601	4	NUT, 5/16-18 Hex Flange Lock -Was 90585
7	7052497		ASSEMBLY, Brake Lever -(Includes Brake Lining & Rivet)
8	7012313		RING, Retaining
9	7090303		NUT, 1/4-28 Hex Top Lock
10	7091294		WASHER, 1/4 Flat -Was 90055
11	7010916		SPACER
12	7090535		SCREW, 1/4-28 x1" Hex Head Cap
13	7061197		SPRING, Brake Return -Was 22371
14	7012264		SPRING, Clutch Brake
15	7033292		LIFT, Yoke
16	7011048	2	BEARING, Yoke
17	7092062	2	NUT, 5/16-24 Hex Center Lock -Was 11201
18	7090238	2	SCREW, 5/16-24 x 1" Hex Head Cap
19	7090815		SCREW, 3/8-16 x 1/2" Self-Tapping -Was 90506
20	7033291		COLLAR, Yoke
21	7011763	2	WASHER, 5/16 Flat
22	7033293		ARM, Yoke
23	7091084	2	SCREW, 1/4-20 x 3/8" Self-Tapping

Spindle

Note: Unless noted otherwise, use the standard torque specifications

Mfg. No: 80566

① ASSEMBLY



Spindle

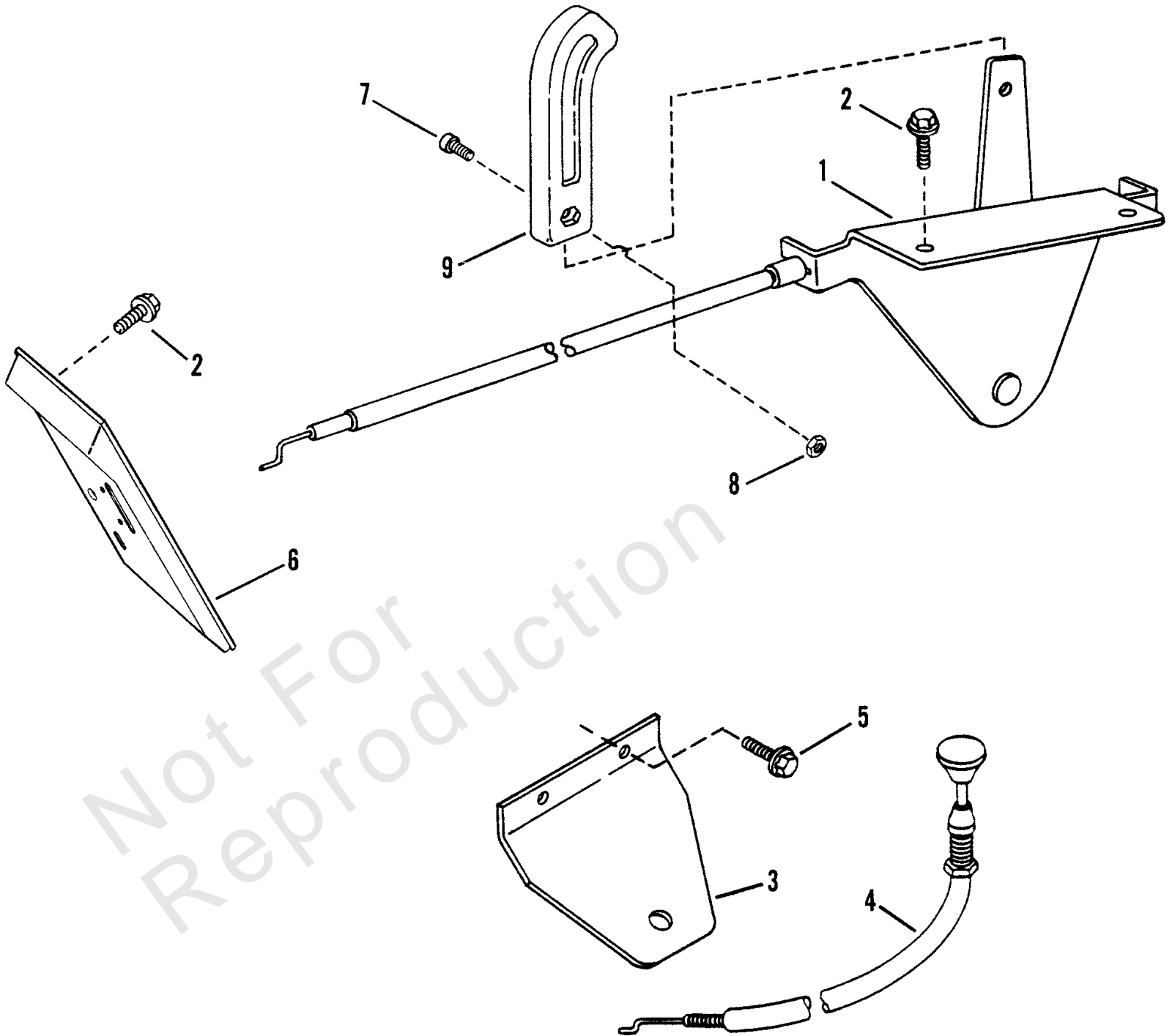
REF NO	PART NO	QTY	DESCRIPTION
1	7054531		ASSEMBLY, Spindle Housing -Was 59813 (Includes 2 thru 11)
2	7012491	2	RING, Retaining
3	7013313	2	BEARING, Spindle
4	7050696		HOUSING, Spindle -(Includes Item 5)
5	7010817		FITTING, Lube (Press fit for .187 hole-no ball)
6	7090392	2	SCREW, 1/2-20 x 1" Hex Head Cap (GR. 5)
7	7090559	2	NUT, 1/2-20 Hex Jam
8	7090356		NUT, 5/8-18 Hex Lock
9	7037751		HOLDER, Blade
10	7014407		WASHER, Spindle
11	7044785		SPINDLE, Shaft (10.237" Long) -Was 21742
12	7012670		RING, Tolerance
13	7010121		WASHER, Shim

Not For Reproduction

Throttle Control

Note: Unless noted otherwise, use the standard torque specifications

Mfg. No: 80566



Not For
Reproduction

Throttle Control

REF NO	PART NO	QTY	DESCRIPTION
1	7024155		CONTROL, Throttle
	7022483		CONTROL, Throttle -(14 HP Kohler)
	7024242		CONTROL, Throttle -(16 HP Briggs)
2	7090913	5	SCREW, #10-24 x 1/2" Hex Washer Self-Tap (Torx)
3	7033569		PLATE, Throttle Control -(41" Models Only)
4	7024185		CONTROL, Choke -(41" Models Only)
5	7091819	2	SCREW, 1/4-20 x 5/8" Self-Tapping -Was 90362
6	7023665		COVER, Dash Panel
7	7091017	2	SCREW, #8-32 x 3/8" Cross Recess Filister
8	7091018	2	NUT, #8-32 Hex
9	7023655		KNOB, Throttle Control

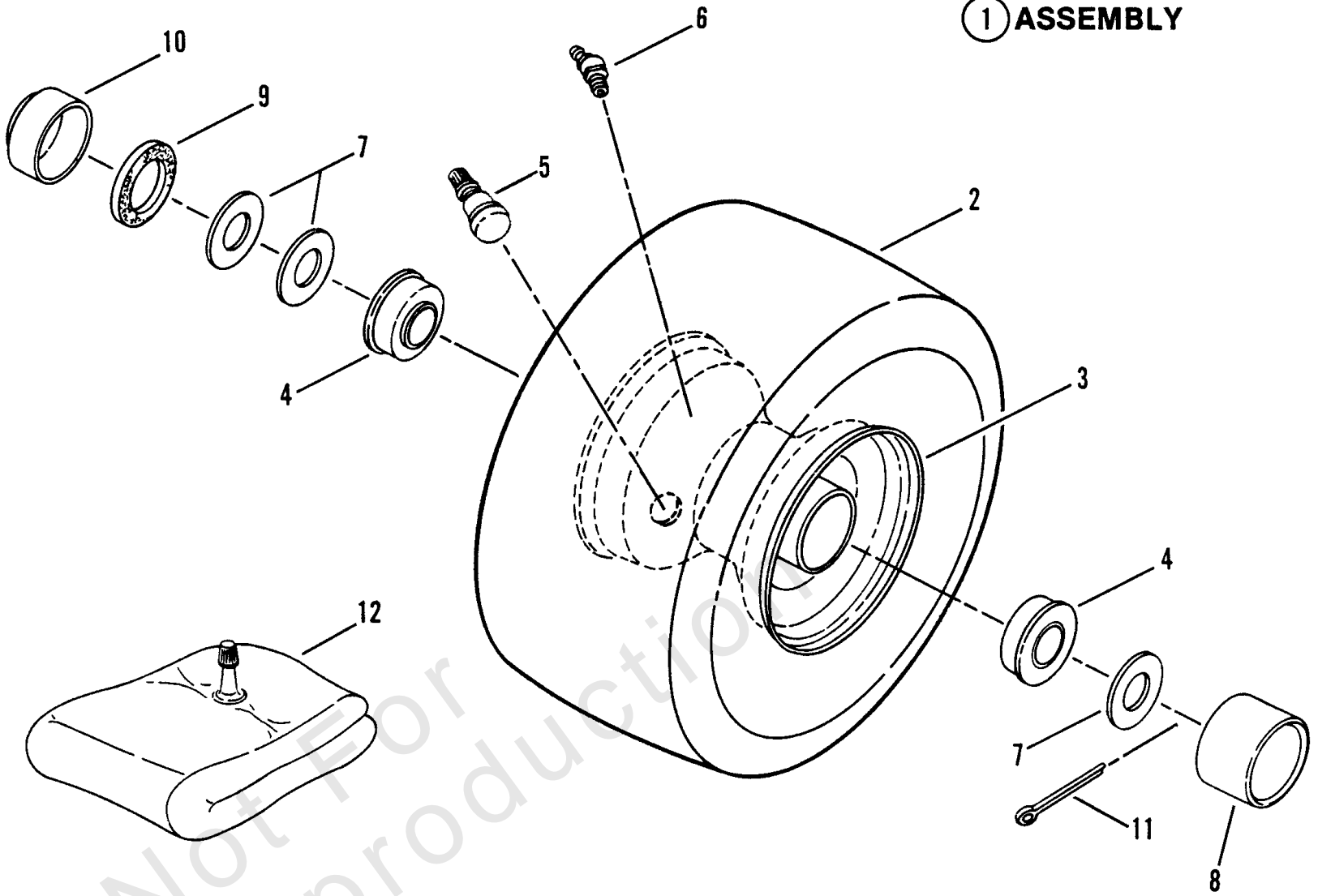
Not For Reproduction

Wheels-Front

Note: Unless noted otherwise, use the standard torque specifications

Mfg. No: 80566

① ASSEMBLY



Wheels-Front

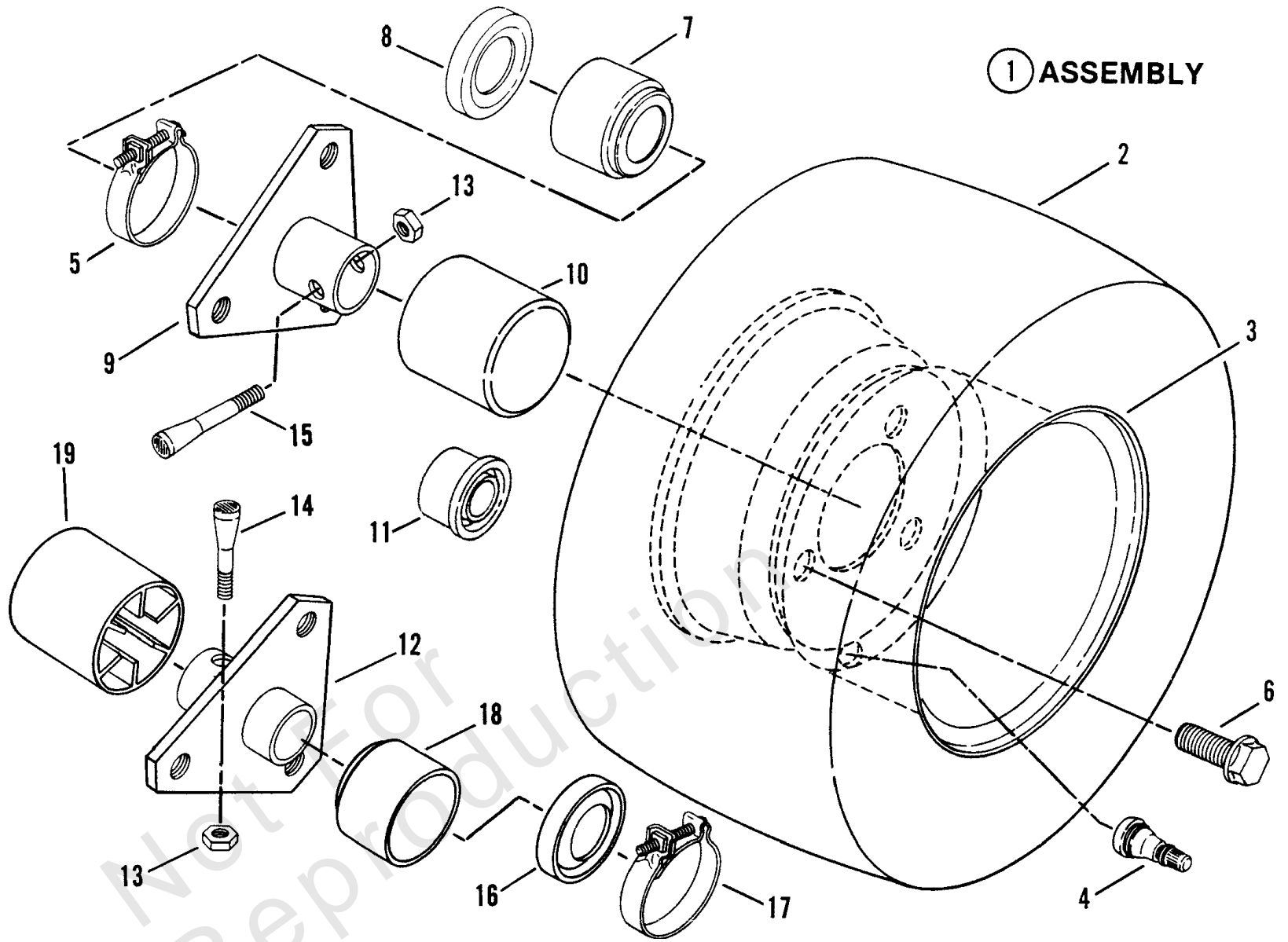
REF NO	PART NO	QTY	DESCRIPTION
1	7052267		ASSEMBLY, Front Tire & Rim (Complete) -(Includes Items 2,3,4,6,12)
	7052268		ASSEMBLY, Tire & Rim -(Includes Items 2,3,4,5,6)
2	7023828		TIRE, Pneumatic 4.10/3.50 x 4
3	7017146		RIM -(For 4.10/3.50 x 4 Tire)
4	7011807		BEARING, Ball
5	7012234		VALVE, Air (Snap-in)(8, 10 HP)
6	7014247		FITTING Lube
7	7010935		WASHER
8	7011022		CAP, Hub
9	7011032		SEAL, Felt
10	7031038		CAP, Dust
11	7091516		PIN, 5/32 x 1" Cotter -Was 90364
12	7010821		TUBE, Inner -(For 4.10/3.50 x 4 Tire) (11.5, 12.5, 14, 16 HP)

Not For Reproduction

Wheels-Rear

Note: Unless noted otherwise, use the standard torque specifications

Mfg. No: 80566



Wheels-Rear

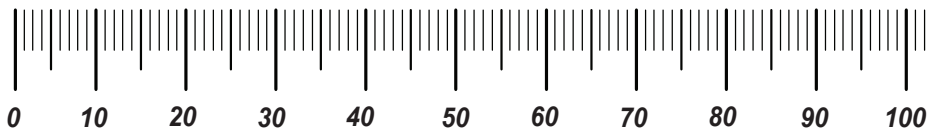
REF NO	PART NO	QTY	DESCRIPTION
1	7052269		ASSEMBLY, Rear Tire & Rim 16x4.80-8 -(Includes Items 7023889, 7017145, 7012234) (25" Models)
1	7052270		ASSEMBLY, Rear Tire & Rim 16x6.50-8 -(Includes Items 7046245, 7012163, 7012234) (28" & 30" Models)
1	-----		ASSEMBLY, Rear Tire & Rim (NLA) -Was 52671 (Now 7022584, 7012163, 7012234) (33" & 42" Models)
2	7023889		TIRE, Std., 16x4.80-8
2	7046245		TIRE, Wide, 16x6.50-8 -Was 15968
2	7022584		TIRE, Ext Wide, 16x7.50-8
3	7017145		WHEEL/RIM, 4.80/4.06x8 (3 hole) Gray -Was 12162 (For 16x4.80-8 Tire)
3	7012163		WHEEL/RIM, 5.375x8 (3 hole) Gray -(For 16x6.50-8 and 16x7.50-8 Tire)
4	7012234		VALVE, Air (Snap-in)
5	7011037		CLAMP, 1 7/8" Right Hand -(8 & 10 HP)
5	7014542		CLAMP, 2.69" Right Hand -(11.5, 12.5, 14, & 16 HP)
6	7091502	6	BOLT, 1/2-20 x 3/4" Lug -Was 90367
7	7031732		CAP, Seal 1.0" ID x 1.67" OD Right Hand -(8 & 10 HP)
7	7014541		CAP, Seal .93" ID x 2.625" OD Right Hand -(11.5, 12.5, 14 & 16HP)
8	7011817		SEAL, Oil 1.22" ID x 1.875" OD
9	7040433		HUB, Rear Wheel (Right Hand) 1.126" ID
10	7023895		CAP, Hub
11	7014658		CAP, Seal L.H. 3/4" ID -Was 10967 (Now 14658 + 14662 + 12332)
12	7040434		HUB, Rear Wheel .75" ID (Left Hand)
13	7092062		NUT, 5/16-24 Hex Center Lock -Was 11201
14	7011035		BOLT, 5/16-24 x 1-5/8" Tapered (Left Hand)
15	7011013		BOLT, 5/16-24 x 2" Tapered (Right Hand)
16	7014662		SEAL, Oil .750" ID x 1.832" OD (Left Hand)
17	7012332		CLAMP, (Left Hand) -(11.5, 12.5, 14 & 16HP)
18	7014658		BOOT, (Left Hand) -(11.5, 12.5, 14 & 16HP)
19	7023522		CAP, Hub (Left Hand)

Hardware Identification & Torque Specifications

Torque Specification Chart								
FOR STANDARD METRIC MACHINE HARDWARE (Tolerance ± 20%)								
Property Class	5.6		8.8		10.9		12.9	
	Class 5.6		Class 8.8		Class 10.9		Class 12.9	
Size Of Hardware	in/lbs	Nm.	in/lbs	Nm.	in/lbs	Nm.	in/lbs	Nm.
	ft/lbs		ft/lbs		ft/lbs		ft/lbs	
M3	5.88	.56	13.44	1.28	19.2	1.80	22.92	2.15
M4	13.44	1.28	30.72	2.90	43.44	4.10	52.56	4.95
M5	26.4	2.50	60.96	5.75	5.97	8.10	7.15	9.7
M6	44.64	4.3	7.3	9.9	10.3	14	12.1	16.5
M7	5.2	7.1	12.1	16.5	16.9	23	19.9	27
M8	7.7	10.5	17.7	24	25	34	29	40
M10	15	21	35	48	50	67	59	81
M12	26	36	61	83	86.2	117	103	140
M14	42	58	101	132	136	185	162	220
M16	64	88	147	200	210	285	250	340
M18	89	121	202	275	287	390	346	470
M20	126	171	290	390	405	550	486	660
M22	169	230	390	530	559	745	656	890
M24	217	295	497	375	708	960	840	1140
M27	320	435	733	995	1032	1400	1239	1680
M30	435	590	995	1350	1401	1900	1681	2280
M33	590	800	1349	1830	1902	2580	2278	3090
M36	759	1030	1740	2360	2441	3310	2935	3980
M39	988	1340	2249	3050	3163	4290	3798	5150

Torque Specification Chart						
FOR STANDARD MACHINE HARDWARE (Tolerance ± 20%)						
Hardware Grade	No Marks		SAE Grade 5		SAE Grade 8	
	SAE Grade 2		SAE Grade 5		SAE Grade 8	
Size Of Hardware	in/lbs	Nm.	in/lbs	Nm.	in/lbs	Nm.
	ft/lbs		ft/lbs		ft/lbs	
8-32	19	2.1	30	3.4	41	4.6
8-36	20	2.3	31	3.5	43	4.9
10-24	27	3.1	43	4.9	60	6.8
10-32	31	3.5	49	5.5	68	7.7
1/4-20	66	7.6	8	10.9	12	16.3
1/4-28	76	8.6	10	13.6	14	19.0
5/16-18	11	15.0	17	23.1	25	34.0
5/16-24	12	16.3	19	25.8	29	34.0
3/8-16	20	27.2	30	40.8	45	61.2
3/8-24	23	31.3	35	47.6	50	68.0
7/16-14	30	40.8	50	68.0	70	95.2
7/16-20	35	47.6	55	74.8	80	108.8
1/2-13	50	68.0	75	102.0	110	149.6
1/2-20	55	74.8	90	122.4	120	163.2
9/16-12	65	88.4	110	149.6	150	204.0
9/16-18	75	102.0	120	163.2	170	231.2
5/8-11	90	122.4	150	204.0	220	299.2
5/8-18	100	136	180	244.8	240	326.4
3/4-10	160	217.6	260	353.6	386	525.0
3/4-16	180	244.8	300	408.0	420	571.2
7/8-9	140	190.4	400	544.0	600	816.0
7/8-14	155	210.8	440	598.4	660	897.6
1-8	220	299.2	580	788.8	900	1,244.0
1-12	240	326.4	640	870.4	1,000	1,360.0

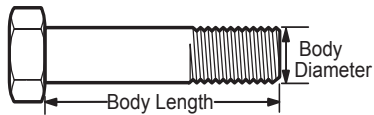
The guides and ruler furnished below are designed to help you select the appropriate hardware.



Nut, M8

Thread Diameter (mm)
Inside Diameter (in)
Threads per inch

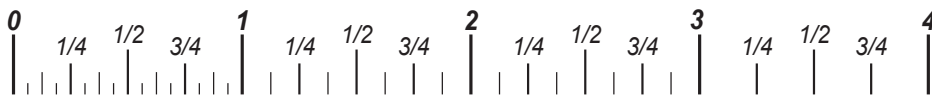
Nut, 1/2-16



Screw, M8- 1.25 x 25

Thread Diameter (mm)
Body Diameter
Distance between threads (mm)
Threads per inch
Body Length (mm)
Body Length (in)

Screw, 1/2- 16 x 2



Standard Hardware Sizing

When a washer or nut is identified as 1/2" (M8), this is the *Nominal size*, meaning the *inside diameter* is 1/2 inch (8mm metric thread diameter); if a second number is present it represents the *threads per inch* (distance between threads).

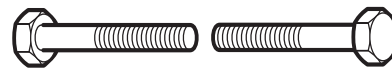
When bolt or capscrew is identified as 1/2 - 16 x 2" (M8 - 1.25 x 50), this means the *Nominal size*, or body diameter is 1/2 inch (8mm metric thread diameter), the second number, 16, represents the *threads per inch*, (*distance between threads*). The final number is the body length of the bolt or screw, 2 inches (50mm).

NOTES

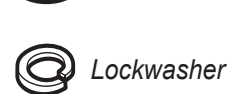
- These torque values are to be used for all hardware excluding: locknuts, self-tapping screws, thread forming screws, sheet metal screws and socket head setscrews.
- Recommended seating torque values for locknuts:
 - for prevailing torque locknuts - use 65% of grade 5 torques.
 - for flange whizlock nuts and screws - use 135% of grade 5 torques.
- Unless otherwise noted on assembly drawings, all torque values must meet this specification.

Common Hardware Types

Hex Head Capscrew



Washer



Carriage Bolt



Lockwasher



Hex Nut

Wrench & Fastener Size Guide

1/4" Bolt or Nut Wrench—7/16"	5/16" Bolt or Nut Wrench—1/2"	3/8" Bolt or Nut Wrench—9/16"	7/16" Bolt or Nut Wrench (Bolt)—5/8" Wrench (Nut)—11/16"	1/2" Bolt or Nut Wrench—3/4"
M6 Bolt or Nut Wrench—10mm	M8 Bolt or Nut Wrench—13mm	M10 Bolt or Nut Wrench—17mm	M12 Bolt or Nut Wrench—19mm	M14 Bolt or Nut Wrench—22mm

