

Parts Manual for
SNAPPER®

**GT600 Diesel 4WD
3 Point Hitch Tractor
GT600 SERIES**

<i>Model No.</i>	<i>Description</i>
2690633	ESGT27540D
2690626	SGT27540D
2690627	SGT27540D
2690628	SGT27540D
2690629	SGT27540D
2690634	SGT27540D
2690667	SGT27540D

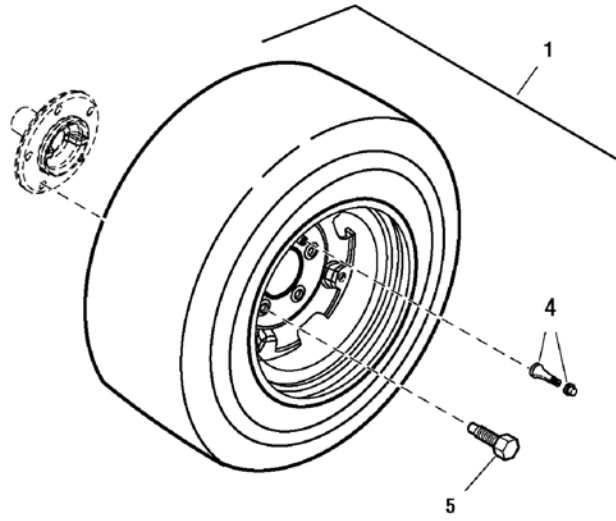


Not for
Reproduction

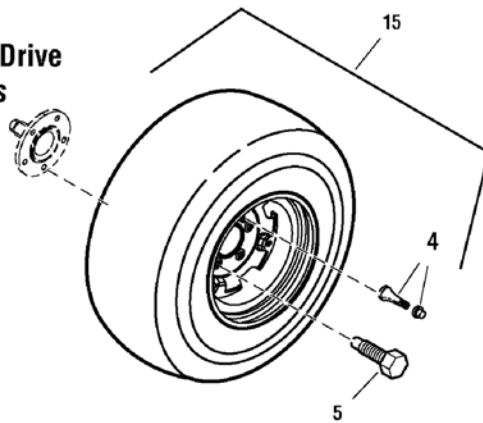
PAGE	GROUP
4	Wheel & Tires Group
6	Steering & Front Axle Group
8	Body Group
12	Frame & Transmission Group
14	Controls Group
18	Hydraulic Group
22	Engine Group - 27HP Briggs & Stratton Diesel Diagram 1
26	Engine Group - 27HP Briggs & Stratton Diesel Diagram 2
30	54" Mower Deck - Drive Group
32	54" Mower Deck - Height Adjustment & Roller Group
36	54" Mower Deck - Housing, Arbors & Blades Group
40	3-Point Hitch Group
42	Decals Group
44	Electrical Group - 27HP Briggs & Stratton Diesel

Not for
Reproduction

**Rear 4 Wheel Drive
Wheels & Tires**



**Front 4 Wheel Drive
Wheels & Tires**



Item	Part No	Qty	Description
1	1724845	2	WHEEL & TIRE ASSEMBLY, Turf Tires, Rear (Includes Reference Nos. 2, 3, & 4)
1	1726030	2	WHEEL & TIRE ASSEMBLY, HD Field Trac, Rear (Includes Reference No. 4)
2	1725724	2	TIRE, Turf Tire, 26 x 12-12
3	1725723	2	WHEEL, Turf Tire, Rear 8.5 x 12
4	7012234	2	VALVE STEM & CAP (Was 2172353)
5	1729280	20	HUB BOLT
15	1724849	2	WHEEL & TIRE ASSEMBLY, Turf Tires, Front, 4 Wheel Drive (Includes Reference Nos. 4, 16, & 17)
15	1726032	2	WHEEL & TIRE ASSEMBLY, HD Field Trac, Front, 4 Wheel Drive (Includes Reference No. 4)
16	1725720	2	TIRE, Turf Tire, Front, 18 x 8.5-8
17	1725719	2	WHEEL, Turf Tire, Front, 4 Wheel Drive

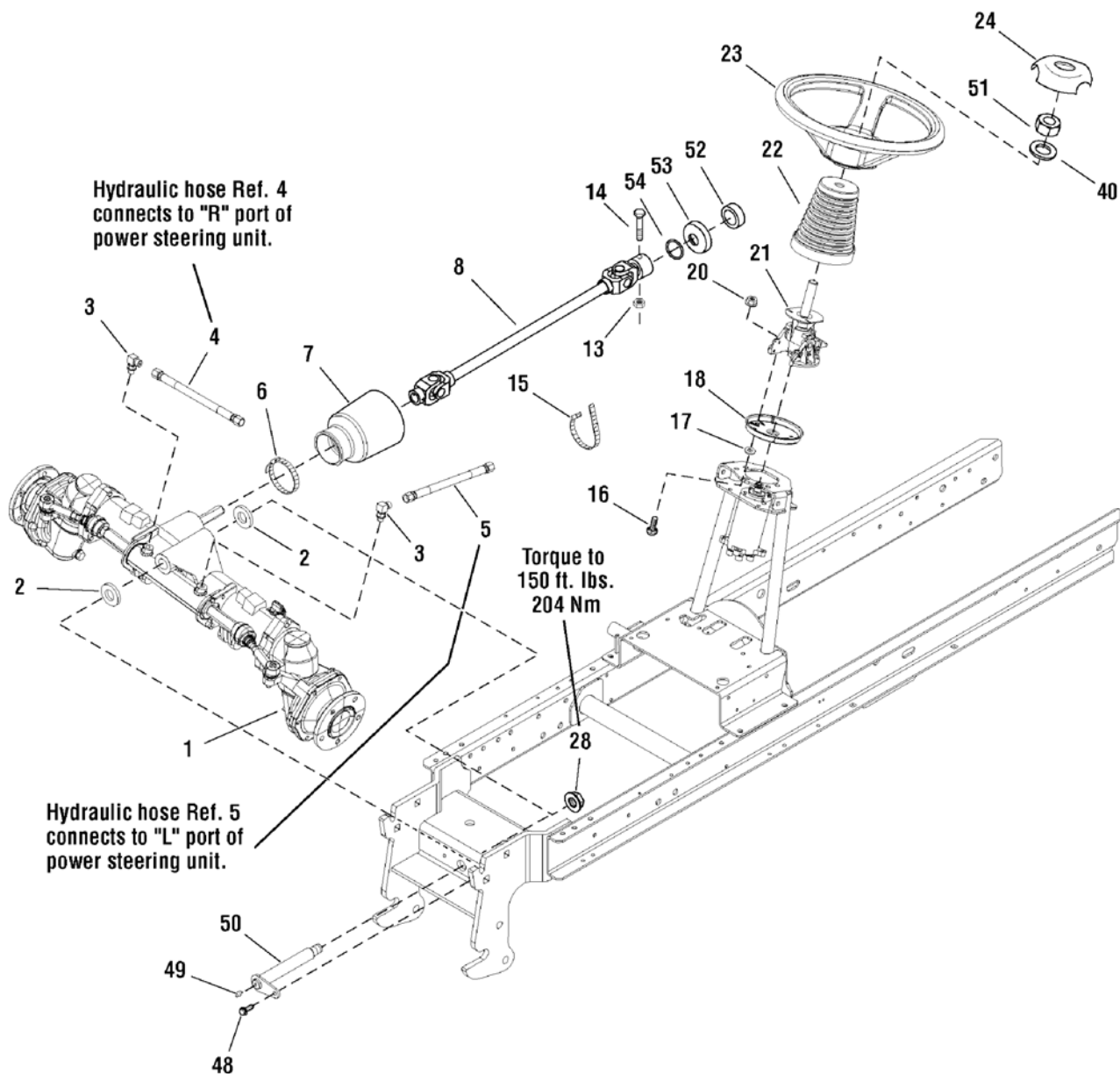
Not for
Reproduction

Footnotes:

Note: * Use for Model 2690626 only.

Note: * Use for Model 2690627 and 2690667.

Steering & Front Axle Group

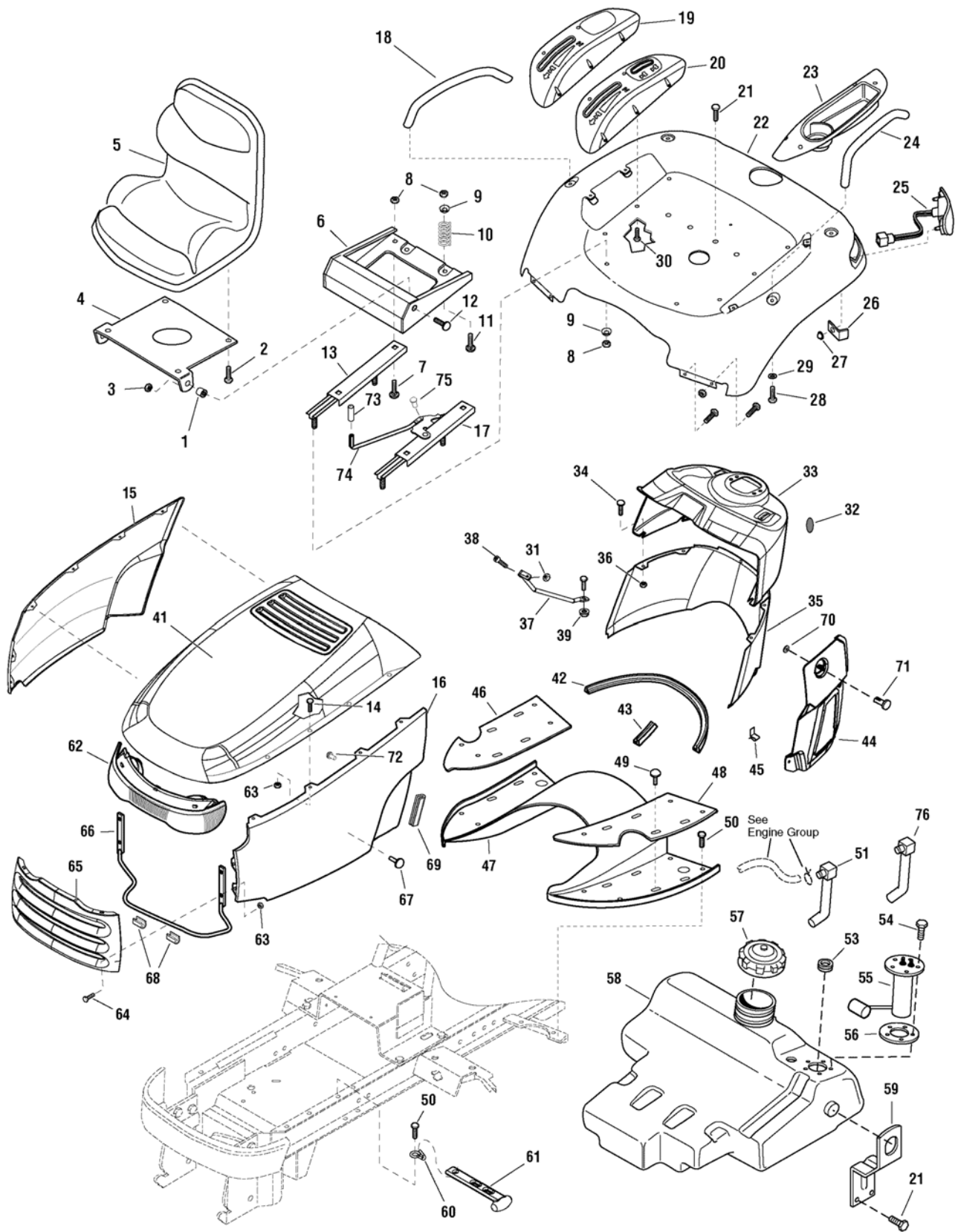


Item	Part No	Qty	Description
1	1724273	1	AXLE ASSEMBLY
2	1960201	2	WASHER
3	1725013	2	FITTING, Elbow Hose
4	1725012	1	HOSE ASSEMBLY, Hydraulic
5	1724890	1	HOSE ASSEMBLY, Hydraulic
6	1725617	1	CLAMP, Worm Hose (3.50 - 2.75)
7	1725581	1	COVER, Drive Shaft
8	1724562	1	SHAFT ASSEMBLY
13	1919439	2	NUT, Hex, Lock, 3/8-16 NC
14	1921971	2	CAPSCREW, Hex Head, 3/8-16 x 1-3/4 G5
15	1701011	2	TIE, Self Locking
16	1960223	3	CARRIAGE BOLT, 5/16-16 x 1 G5
17	1933988	3	NUT, Push, 1/4
18	1724685A	1	PLATE, Steering
20	1960636	3	NUT, Hex, Keps 5/16-18 Black
21	1733790	1	TILT STEERING UNIT, 2 Holes, Legacy
22	1724368	1	BELLOWS, Tilt Steering Unit With Slot
23	1724576	1	STEERING WHEEL
24	1715920	1	CAP, Steering Wheel
28	1960691	1	NUT, Hex, Toplock Flange 3/4-10
40	1924366	1	WASHER, 0.625 (0.66ID x 1.12 x .11THK) Black
48	1664847	1	SCREW, Hex Washer Head, Taptite, 5/16-18 x 3/4
49	1704314	1	FITTING, Lube, 1/4 Drive
50	1724841	1	SHAFT & ANCHOR ASSEMBLY, Pivot
51	1960576	1	NUT, Hex
52	1732090	1	SPACER, 0.793 x 1-3/4 x 1/4
53	1732089	1	CUP, Grass Shield
54	2176111	1	O-RING

Not for
Reproduction

Footnotes:

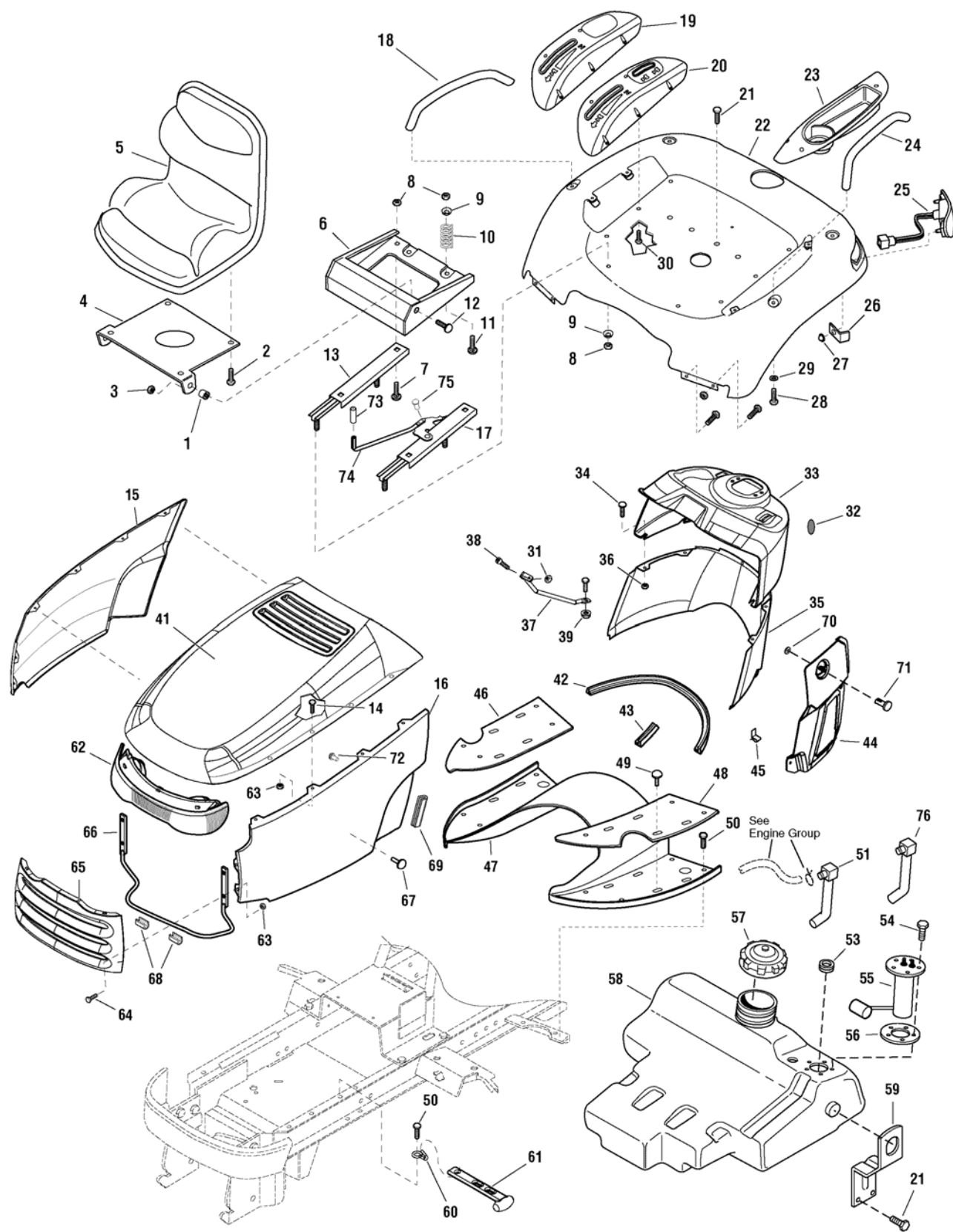
Body Group



Item	Part No	Qty	Description
1	1663752	2	SPACER
2	1960667	9	SCREW, Hex, Flange Whiz Lock, Dog Point, 5/16-18 x 1
3	1960687	2	NUT, Hex, Flange ESNA Lock, Black 3/8-16
4	1723707A	1	PAN, Seat
5	1725300	1	SEAT, Black
6	1716977A	1	SUPPORT, Seat Lower
7	1931333	4	CARRIAGE BOLT, Black, 5/16-18 x 3/4
8	1960686	6	NUT, Nut, Flange Lock, ESNA, 5/16-18
9	1709256	6	LOCKWASHER, Black
10	1717051	2	SPRING, Seat
11	1931335	2	CARRIAGE BOLT, Black, 5/16-18 x 1
12	1931350	2	CARRIAGE BOLT, Black, 3/8-16 x 1
13	1717009	1	SLIDE, Seat
14	1960295	8	CAPSCREW, Hex, Head, 1/4-20 x 5/8
15	1725822D	1	PANEL, Side R.H., Legacy XL
16	1725821D	1	PANEL, Side L.H., Legacy XL
17	1717008	1	SLIDE, Seat, L.H.
18	1716336	1	HANDLE, Grab, RH, Black
19	1687053	1	POD, Legacy XL, 2WD
20	1726823	1	POD, Legacy XL, 4WD
21	1664847	6	CAPSCREW, Hex, Washer Head, Taptite, Black, 5/16-18 x 3/4
22	1724581D	1	DECK, Seat, Legacy XL
23	1725290	1	POD, Legacy XL, L.H.
24	1716335	1	HANDLE, Grab, L.H., Black
25	1715915	2	TAIL LIGHT ASSEMBLY
26	1718048	4	CLIP, "L"
27	1933988	4	NUT, Push, Black, 5/16
28	1925205	4	CAPSCREW, Hex Head, Black, 5/16-18 x 5/8
29	1960044	4	WASHER, Black, 5/16
30	1960578	10	CAPSCREW, Hex Washer Head, #12-24 x 5/8
31	1933896	1	NUT, Nylock, # 10-24
32	1718611	1	PLUG, Dashboard, Diesel
33	1724584	1	DASH, Upper, Black, Diesel
34	1960252	4	CARRIAGE BOLT, Black, 1/4-20 x 5/8
35	1725032A	1	DASH, Lower, Black, Diesel
36	1960685	4	NUT, Hex, KEPS, Black, 1/4-20
37	1724869	1	ROD, Dash Support
38	1933737	1	SCREW, Hex Washer Head Slot, #10-24 x 5/8 (Was 1960393)
39	1960684	9	NUT, Hex, Keps, Black, 5/16-18
41	1725658C	1	HOOD & SCREEN ASSEMBLY
42	1725654	1	EDGING, Rubber, Black, 23" Long
43	1725653	1	EDGING, Rubber, Black, 2-5/8" Long
44	1725775	1	COVER ASSEMBLY, Dash, Black (Diesel Only)
45	1717523	1	CLIP, "U"

Footnotes:

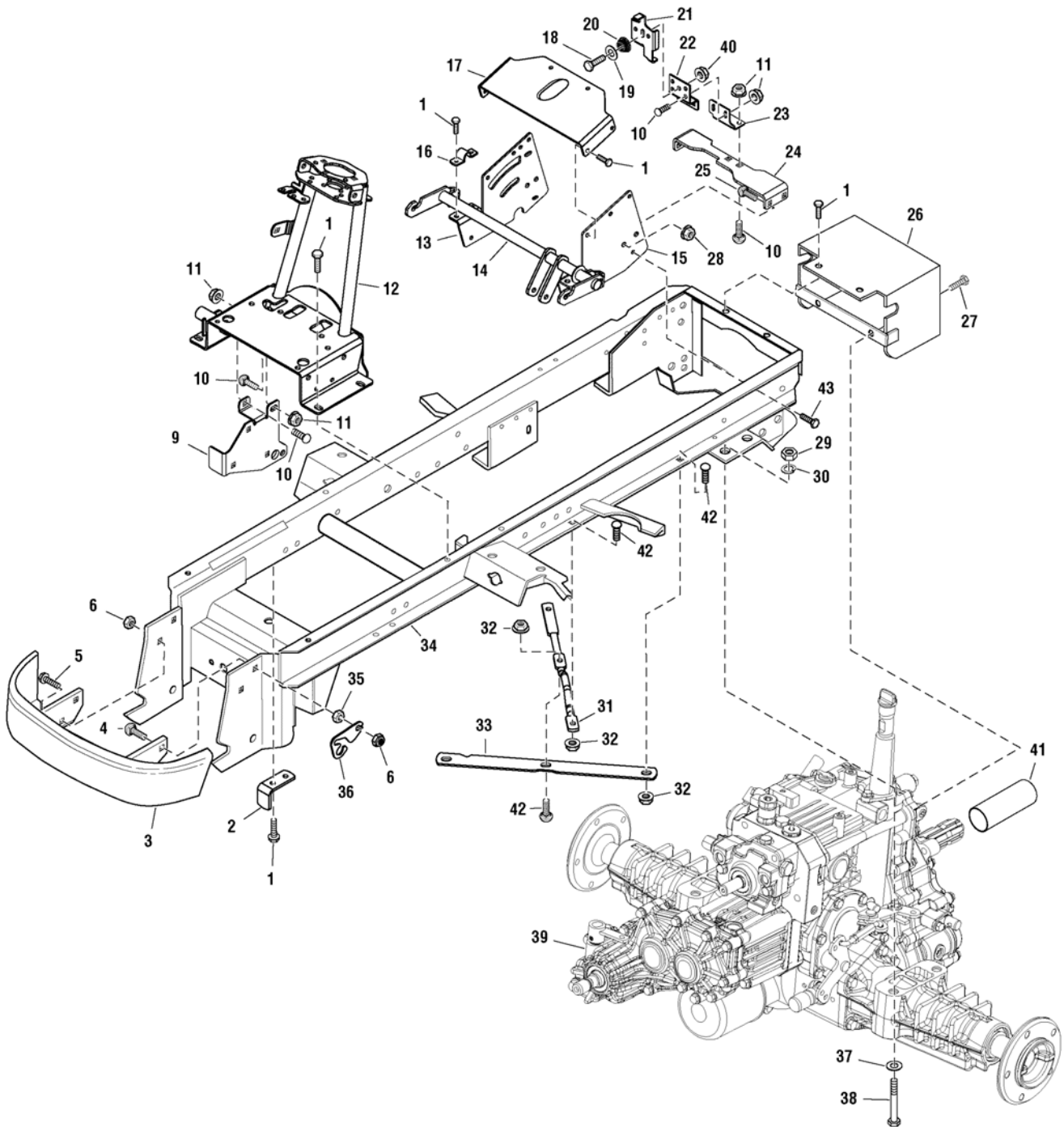
Body Group



Item	Part No	Qty	Description
46	1724580	1	PAD, Footrest, R.H.
47	1724268D	1	TUNNEL, Legacy XL
48	1724579	1	PAD, Footrest, L.H.
49	1704351	19	FASTENER, Panel
50	1925003	7	CAPSCREW, Hex, Washer Head, Taptite, Black, 1/4-20 x 1/2
51	1717076	2	ELBOW & TUBE ASSEMBLY
53	1654930	2	BUSHING
54	2860665	5	SCREW, Pan Head, Torx, SEMS, #10-32 x 1/2
55	1737522	1	SENDER, Fuel (Was 1725301)
56	1685303	1	GASKET
57	1718633	1	CAP, Fuel, Diesel
58	1726783	1	TANK, Fuel, Diesel
59	1716927A	2	SUPPORT, Fuel Tank
60	1723168	2	HOOK
61	2171600	2	STRAP, Hood, Black Rubber
62	1715923	1	HEADLIGHT ASSEMBLY
63	1930641	12	NUT, Hex, Flange Whiz Lock, Black, 1/4-20
64	1960611	4	CAPSCREW, Hex, Whiz Lock, Black, 1/4-20 x 1
65	1725631D	1	GRILL, Legacy XL (Red)
66	1718479	1	ROD, Hood Hinge
67	1726044	2	SCREW, Binding
68	1726454	2	CLIP, Hood
69	1726482	2	EDGING, Side Panel
70	1960518	2	NUT, Push (Diesel Only)
71	1725060	2	SCREW, Quarter Turn (Diesel Only)
72	2860707	2	SCREW, Hex, Serrated Flange
73	1704723	1	GRIP, Black Vinyl
74	1717002	1	ROD, Seat Slide
75	1920466	2	RIVET
76	1726917	1	TUBE ASSEMBLY, Fuel With Screen

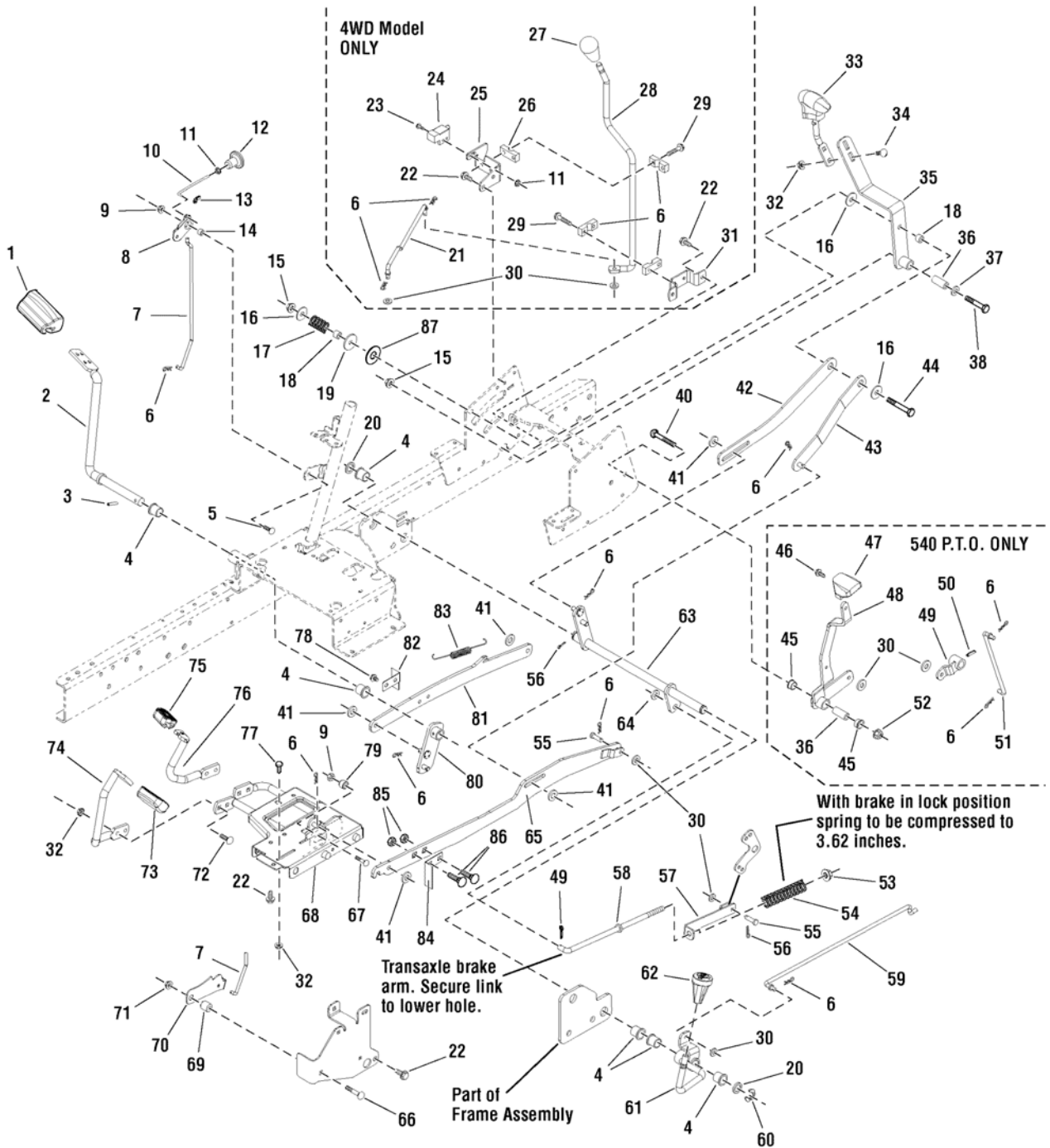
Footnotes:

Frame & Transmission Group



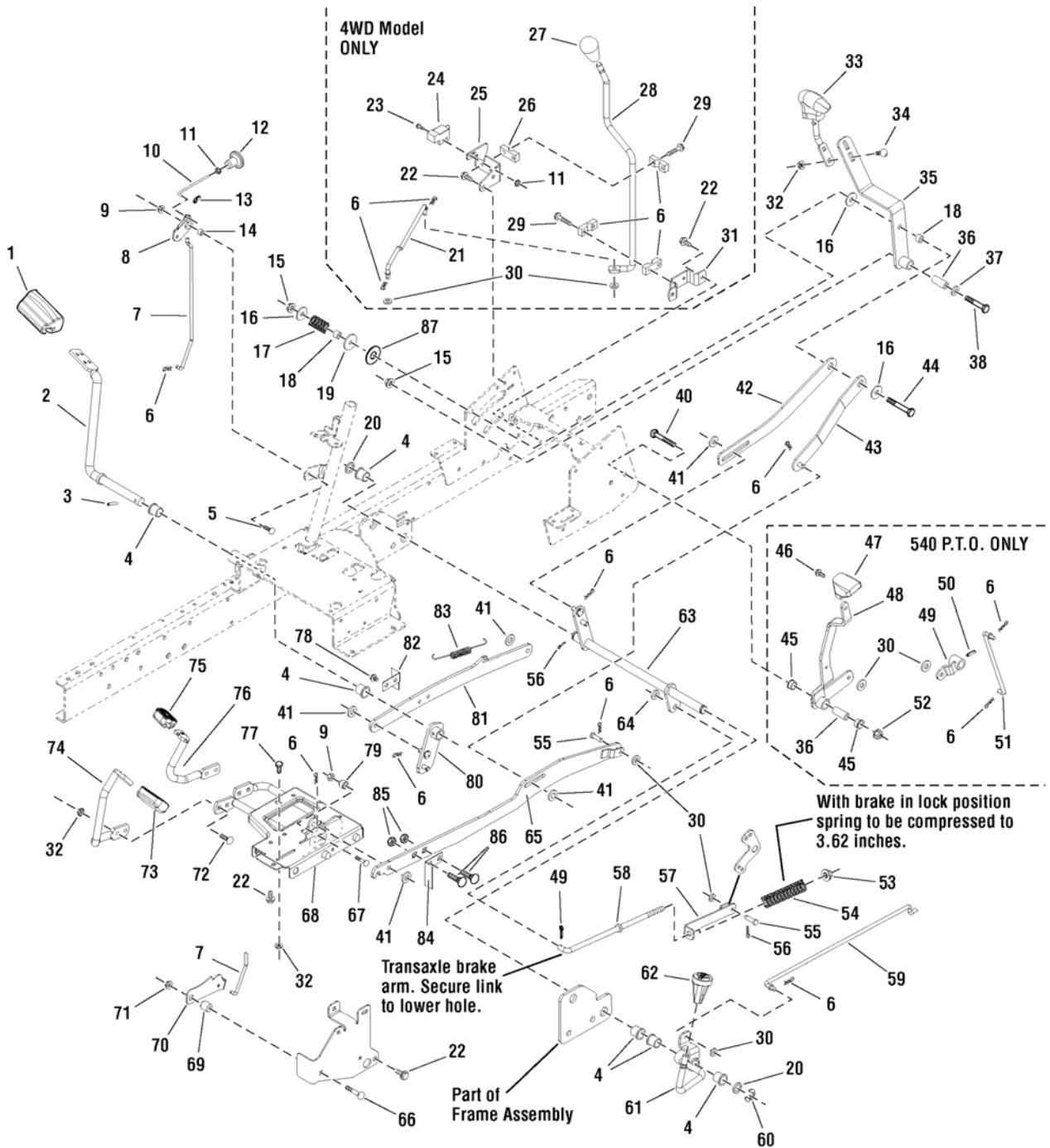
Item	Part No	Qty	Description
1	1664847	22	CAPSCREW, Hex, Washer Head, Taptite, 5/16-18 x 3/4, Black
2	1725752A	1	BRACKET, Upstop
3	1725171A	1	BUMPER & BRACKETS ASSEMBLY
4	1960706	2	CARRIAGE BOLT-RD, 1/2-13 x 2, Black
5	1920328	2	CAPSCREW, Hex Head, 1/2-13 x 1-1/2, Black
6	1960708	4	NUT, Hex, Lock ESNA, 1/2-13
9	1724838A	1	SUPPORT, Control Valve
10	1931333	6	CARRIAGE BOLT, 5/16-18 x 3/4, Black
11	1960684	6	NUT, Hex, KEPS 5/16-18, Black
12	1724108A	1	TOWER ASSEMBLY
13	1725095A	1	SUPPORT, Seat Support, R.H.
14	1724765A	1	SHAFT ASSEMBLY
15	1725096A	1	SUPPORT, Seat Support, L.H.
16	1720147A	2	STRAP
17	1725094A	1	SUPPORT, Seat Deck
18	1921333	1	CAPSCREW, Hex Head, 5/16-18 x 1, Black
19	1919326	1	WASHER, 5/16, Black
20	2153010	1	SPRING, Compression, Conocal
21	1724248	1	BRACKET, Free Wheel
22	1725308	1	SUPPORT, Free Wheel Latch
23	1725081A	1	SUPPORT, Dump Valve
24	1724244A	1	BRACKET, Torque Strap
25	1931350	9	CARRIAGE BOLT, 3/8-16 x 1 Black
26	1724817A	1	SHIELD & BRACKET ASSEMBLY
27	1960677	2	CAPSCREW, Hex Head, M12-1.75 x 25MM (540 PTO Models Only)
28	1960687	4	NUT, Hex, Flange ESNA, 3/8-16, Black
29	1960423	4	NUT, Hex Flange Center Lock, M12-1.25, Black
30	1916966	4	LOCKWASHER, 1/2, Black
31	1725635	1	ROD
32	1960680	5	NUT, Hex, KEPS 3/8-16, Black
33	1724936A	1	BRACE, Cross
34	1724144A	1	FRAME ASSEMBLY
35	1913744	2	NUT, Hex, Jam, 1/2-13, Black
36	1726019A	2	LOCK, Hood
37	1924361	4	WASHER, 1/2
38	1960482	4	CAPSCREW, Hex Head, M12-1.25 x 100MM, Black
39	1724561	1	TRANSMISSION ASSEMBLY, 4WD, K92C, W/540
40	1960686	1	NUT, Hex, Flange ESNA, 5/16-18, Black
41	1726474	1	COVER, PTO Shaft
42	1960268	1	BOLT, 3/8-16 x 1 1/4
43	1960373	1	SCREW, Hex, Washer 5/16-18 x 1.000

Footnotes:



Item	Part No	Qty	Description
1	1721577	1	PAD, Brake Pedal
2	1724676	1	ROD, Brake Pedal
3	1735381	1	PIN, Spring, .219" OD x 1.25" L (Was 960396 or 2860396)
4	2176440	6	BUSHING
5	1931317	3	CARRIAGE BOLT, 1/4-20 x 3/4 G5
6	1722460	11	PIN, Quick
7	1725276	1	ROD, 4 Bends, 13.63 LG
8	1717006	1	BRACKET, Parking Brake Pivot
9	1960685	2	NUT, Hex, KEPS, 1/4-20 Conical Washer
10	1717004	1	ROD, 10-24 x 31/50, 3.91 LG
11	1960591	3	NUT, Hex, KEPS, #10-24
12	1725277	1	KNOB, Interior Thread, Parking
13	1725550	1	CLIP, Rod End Linkage, L.H., For .188 Rod
14	1960234	1	SPACER, .320 LG
15	1960687	2	NUT, Hex, Flange, 3/8-16, ESNA
16	1922611	3	WASHER, 3/4
17	1677746	1	SPRING, Complete
18	1713791	2	SPACER, 7/16 LG Powdered Metal
19	1924356	1	WASHER, 3/8
20	1960114	2	WASHER, 3/4
21	1724850	1	ROD, 4WD Shift, 10.74 LG
22	1664847	6	SCREW, Hex Washer Head, Taptite, 5/16-18 x 3/4
23	1933737	2	SCREW, Hex Washer Head, Slot #10-24 x 5/8
24	1717050	1	SWITCH, Push Button, Neutral/Start
25	1724866A	1	BRACKET, 2 Speed Pivot
26	1674631	4	BEARING HALF, Outer Nylon
27	1713843	1	KNOB, Sphere Softer
28	1724902	1	ROD, Shift 2 Speed, 19-1/4 LG
29	1930600	4	SCREW, Hex Washer Head, Taptite, 5/16-18 x 1-1/2
30	1919326	6	WASHER
31	1716994A	1	BRACKET, Mounting, 4.63 LG
32	1960684	7	NUT, Hex, KEPS 5/16-18, Conical Washer
33	1725357	1	KNOB, With Cruise Control Rod Molded In
34	1931335	2	CARRIAGE BOLT, 5/16-18 x 1 G5
35	1724669A	1	LEVER ASSEMBLY, Cruise
36	1669105	1	SPACER, 1-1/2 LG HARDEN
37	1924940	1	WASHER, 3/8
38	1922130	1	CAPSCREW, Hex Head, 3/8-16 x 2-1/4 G5
40	1960615	1	CARRIAGE BOLT, 3/8-16 x 2-1/2
41	1922755	5	WASHER, 3/4
42	1724686A	1	ARM, Cruise Return
43	1724913	1	LINK & PIN ASSEMBLY, Cruise
44	1923903	1	CAPSCREW, Hex Head, 3/8-16 x 3.00
45	1676148	2	BUSHING, 2/5 LG Powdered Metal

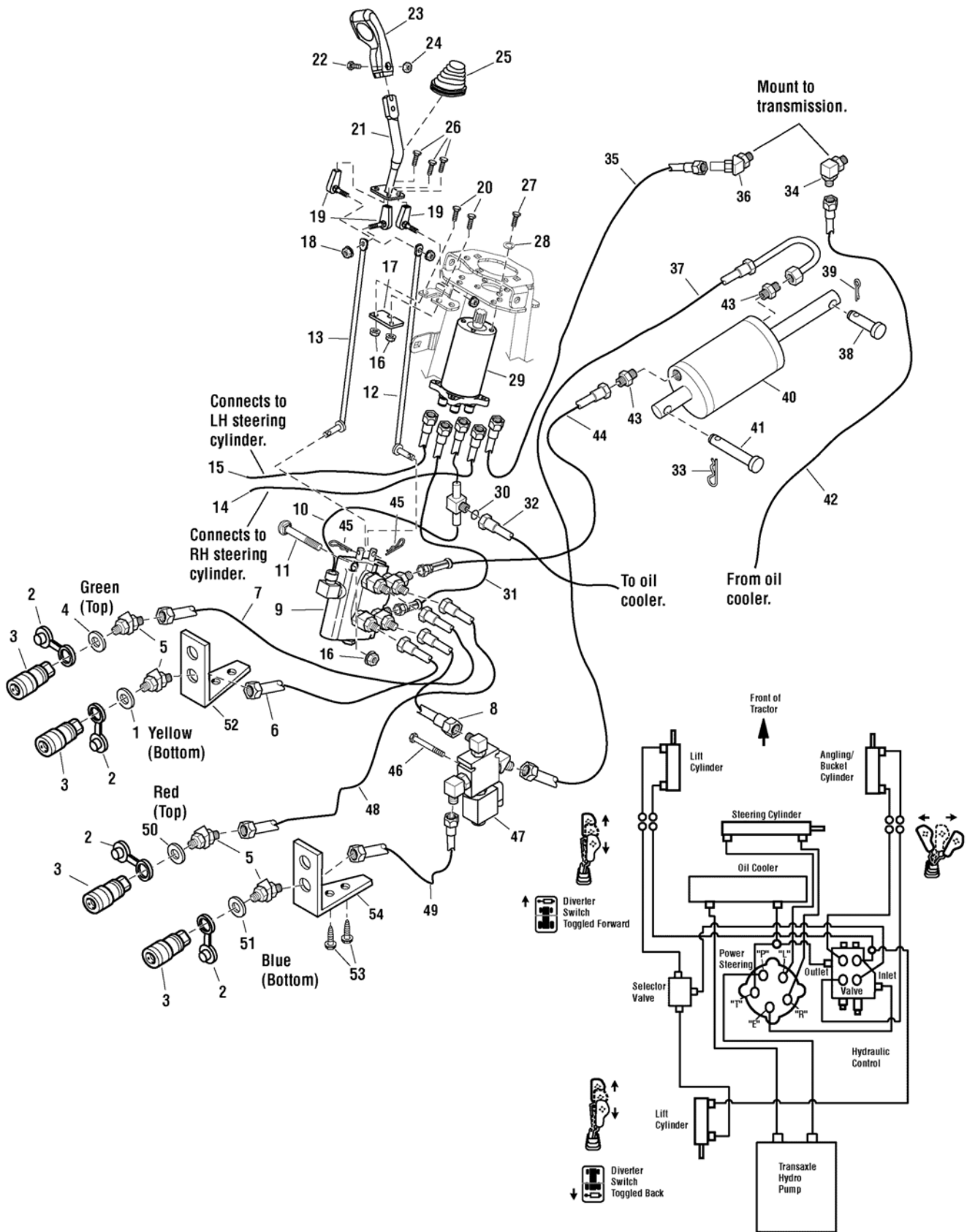
Footnotes:



Item	Part No	Qty	Description
46	1960666	1	SCREW, 1/4-20 x 7/8
47	1726043	1	HANDLE, 540 PTO 3/8 x 7/8 Slot
48	1724225A	1	HANDLE ASSEMBLY, Control
49	1724216A	1	ARM & HUB ASSEMBLY, Control
50	1725010	1	PIN, Spring, .255" ID x .95" L
51	1724229	1	ROD, Control, 9.23 LG
52	1960680	1	NUT, Hex, KEPS 3/8-16 Conical Washer
53	1960692	1	NUT, Hex, Toplock Flange 7/16-20
54	1725278	1	SPRING, Complete
55	1725011	2	PIN, Clevis, .308" Dia. x 1.0" L
56	1918447	3	PIN, Cotter 3/32 X 3/4
57	1724783A	1	LINK & BRACE ASSEMBLY, Brake
58	1724200	1	ROD
59	1724858	1	ROD, Diff Lock, 20.7 LG
60	1611710	2	RING, Klipring Extension, 3/4 Shaft
61	1724859	1	PEDAL ASSEMBLY, Diff Lock
62	1716289	1	KNOB, Hole
63	1724672	1	SHAFT ASSEMBLY, Brake
64	1925125	1	WASHER, 7/16
65	1726765A	1	ARM ASSEMBLY, Control
66	1931337	1	CARRIAGE BOLT, 5/16-18 x 1-1/2 G5
67	1931320	1	CARRIAGE BOLT, 1/4-20 x 1-1/4 G5
68	1726766	1	CONTROL ASSEMBLY, Foot Pedals
69	1702552	1	SPACER
70	1725275	1	ARM, Brake Lock
71	1960686	1	NUT, Hex Flange, 5/16-18, ESNA
72	1931334	4	CARRIAGE BOLT, 5/16-18 x 7/8 G5
73	1721675	1	PAD, Foot Pedal, Forward
74	1724266A	1	PEDAL, Foot, Forward
75	1721674	1	PAD, Foot Pedal, Reverse
76	1722071A	1	PEDAL, Reverse
77	1921332	1	CAPSCREW, Hex Head, 5/16-18 x 3/4 G5
78	1924856	2	SCREW, Hex Washer Head, Taptite, 5/16-18 x 1/2
79	1707944	1	CAM, Roller
80	1724679A	1	ARM ASSEMBLY, Brake
81	1724846A	1	LINK, Brake
82	1724844	1	ACTUATOR, Switch 20GA
83	1721995	1	SPRING, Extension
84	1727215A	1	ACTUATOR, Switch 20GA
85	1920397	2	NUT, Hex Nylon, 1/4 -20
86	1920252	2	BOLT, Carriage, 1/4-20 x 5/8
87	1726443	1	DISC, Friction

Footnotes:

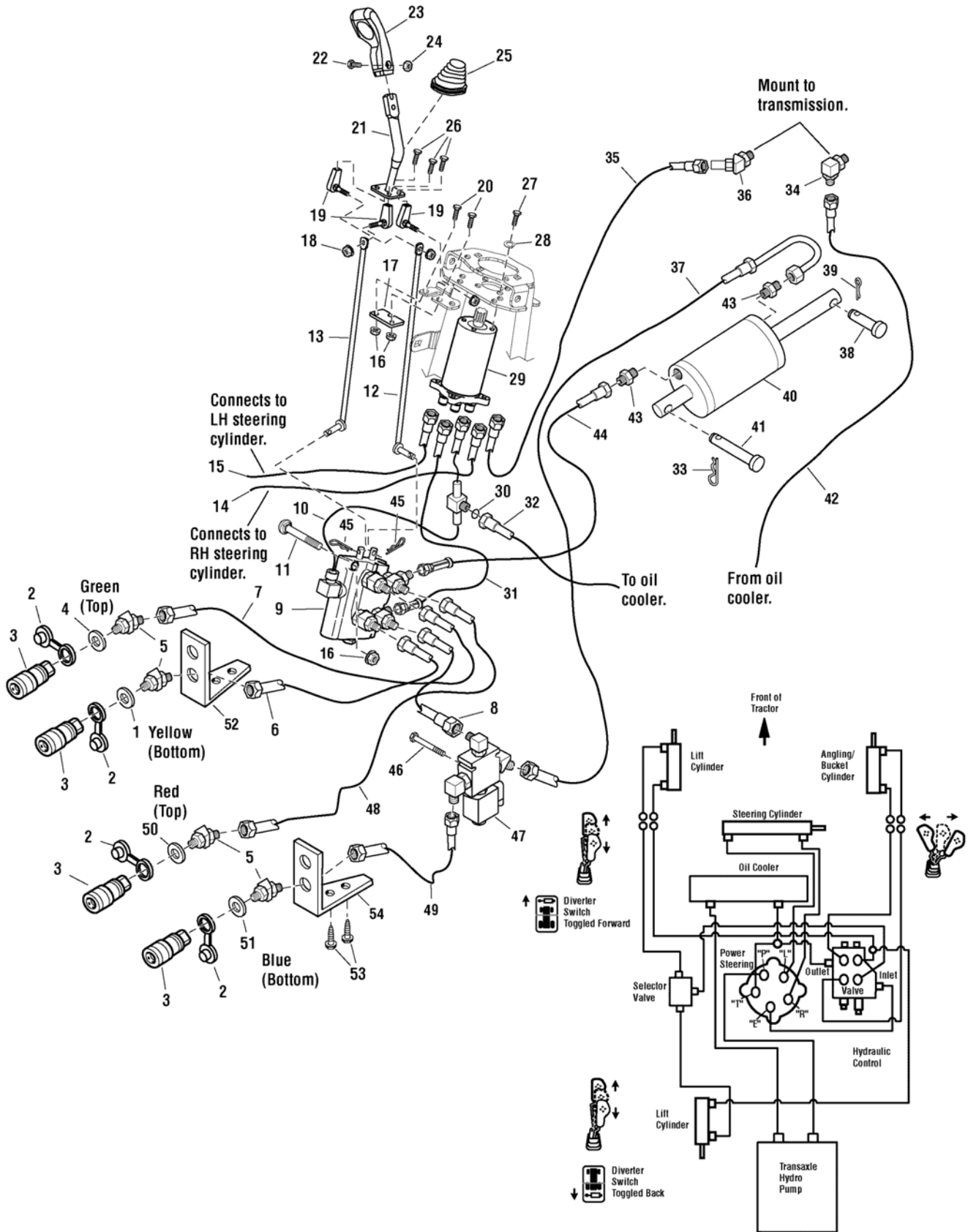
Hydraulic Group



Item	Part No	Qty	Description
1	1726319	1	WASHER
2	2173360	4	PLUG, Plastic
3	2173358	4	BODY ASSEMBLY, Coupler 1/4-18 Int, 1.94 LG
4	1726321	1	WASHER
5	1725351	7	FITTING, Tube Elbow
6	1725687	1	TUBE, Hydraulic
7	1725686	1	TUBE, Hydraulic
8	1725688	1	TUBE, Hydraulic
9	1725080	1	VALVE ASSEMBLY, Control 2 Spool
10	1725690	1	TUBE, Hydraulic
9	1750137	1	KIT, Seal Repair, Valve Assembly 2 Spool (Not Shown)
11	1960700	2	CARRIAGE BOLT, 1/4-20 x 2 G5
12	1724434	1	ROD & PIN ASSEMBLY, Control
13	1724878	1	ROD & PIN ASSEMBLY, Control
14	1725012	1	HOSE ASSEMBLY, Hydraulics, R.H.
15	1724890	1	HOSE ASSEMBLY, Hydraulics, L.H.
16	1960685	4	NUT, Hex 1/4-20 Conical Washer
17	1724881	1	PAD, Hydraulic
18	2860697	3	NUT, Hex, Spirallock Flange 1/4-28
19	1725117	3	JOINT, Ball, 1/4-28 Int
20	1923341	2	CAPSCREW, Hex Head, 1/4-20 x 3/4 G5
21	1725100A	1	LEVER ASSEMBLY, Joystick
22	1960666	1	SCREW, TORX PLUS Socket Head, 1/4-20 x 7/8
23	1722303	1	HANDLE, Cruise 3/8 x 7/8 Slot
24	1920397	1	NUT, Hex, Lock, ESNA LIGHT, 1/4-20 NC-3B
25	1725120	1	BOOT, Hydraulic Control
26	2860696	3	SCREW, Hex SEMS Square Washer, 1/4-28 x 3/4
27	2860444	4	CAPSCREW, Hex Head
28	1916964	4	LOCKWASHER, Spring
29	1725288	1	POWER STEERING UNIT
30	1725485	1	O-RING
31	1724886	1	TUBE, Hydraulic
32	1725604	1	HOSE ASSEMBLY, Hydraulic Rubber, 29 LG, 1 Swivel
33	1960033	1	CLIP, Hair Pin, .125" Dia. x 2.56" L
34	1725655	1	FITTING, Tube Elbow 9/16-18 13/16-16, 90 Degrees
35	1729590	1	TUBE, Assembly Hydraulic
36	1729591	1	FITTING, Tube Elbow, 9/16-18 11/16-16, 90 Degrees
37	1725111	1	HOSE ASSEMBLY, Hydraulic Rubber, 180 Degrees
38	1729275	1	PIN, Round Head Drilled, 1/2 x 2-1/2
39	1918452	1	PIN, Cotter, 1/4 x 1
40	1726442	1	CYLINDER ASSEMBLY, Hydraulic
41	1725223	1	PIN, Clevis, .494" Dia. x 3.50" L
42	1725691	1	HOSE, Hydraulic
43	2819171	2	TUBE, Fitting Mail 1/8 NPT+7/16-20 .250TU
44	1725110	1	HOSE ASSEMBLY, Hydraulic Rubber, 13.7 LG, 30 Degrees

Footnotes:

Hydraulic Group

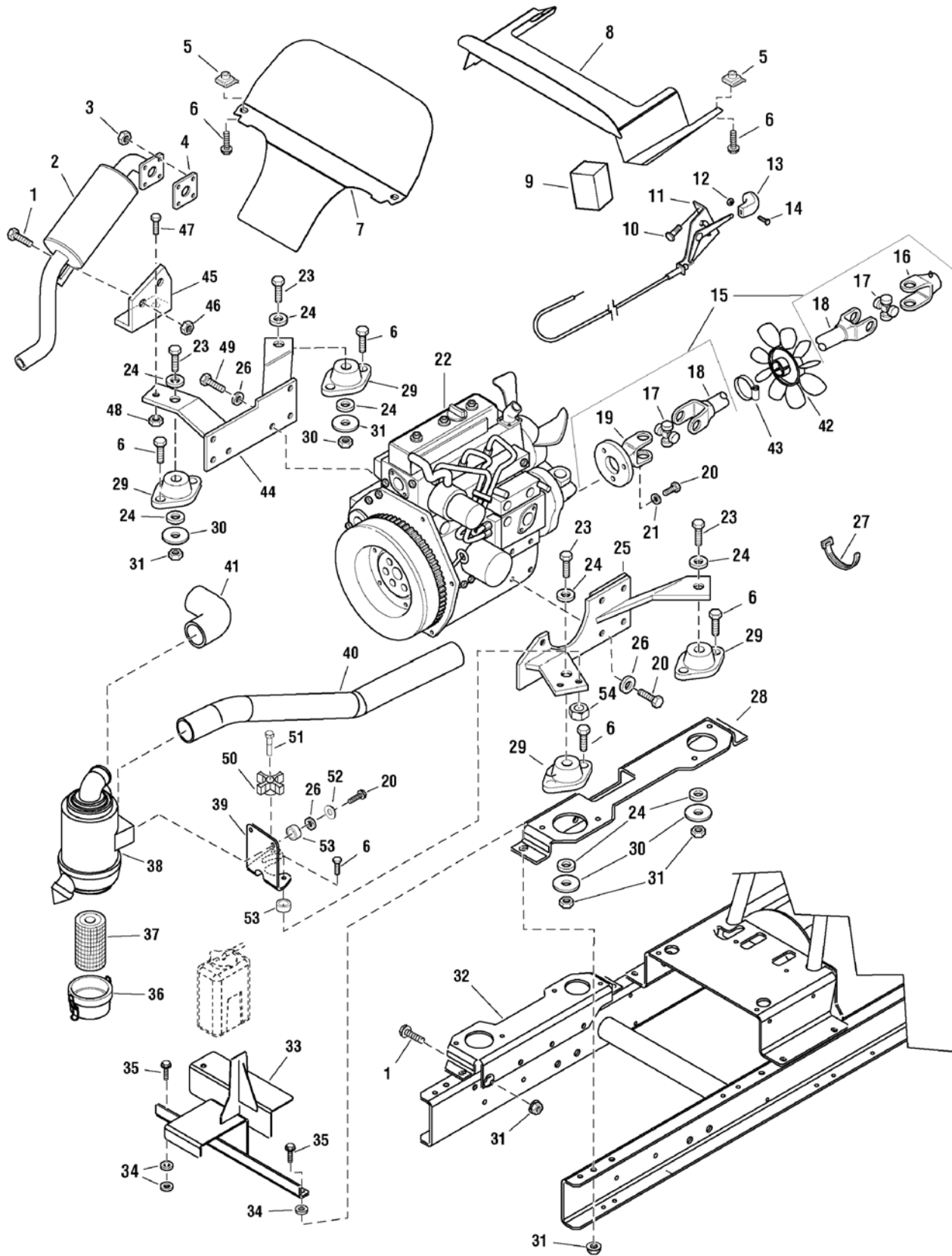


Item	Part No	Qty	Description
45	1960221	2	CLIP, Hair Pin, .62" Dia. x 1.31" L
46	1960571	2	SCREW, Hex, Washer Head Taptite, 1/4-20 x 1-3/4
47	1724857	1	VALVE ASSEMBLY, Selector
48	1725684	1	TUBE, Hydraulic
49	1725685	1	TUBE, Hydraulic
50	1726320	1	WASHER
51	1726318	1	WASHER
52	1725323A	1	SUPPORT, Quick Disc L.H.
53	1930594	4	SCREW, Hex Lock Flange 1/4-20 x 3/4
54	1725325A	1	SUPPORT, Quick Disc R.H.

Not for
Reproduction

Footnotes:

Engine Group - 27HP Briggs & Stratton Diesel Diagram 1



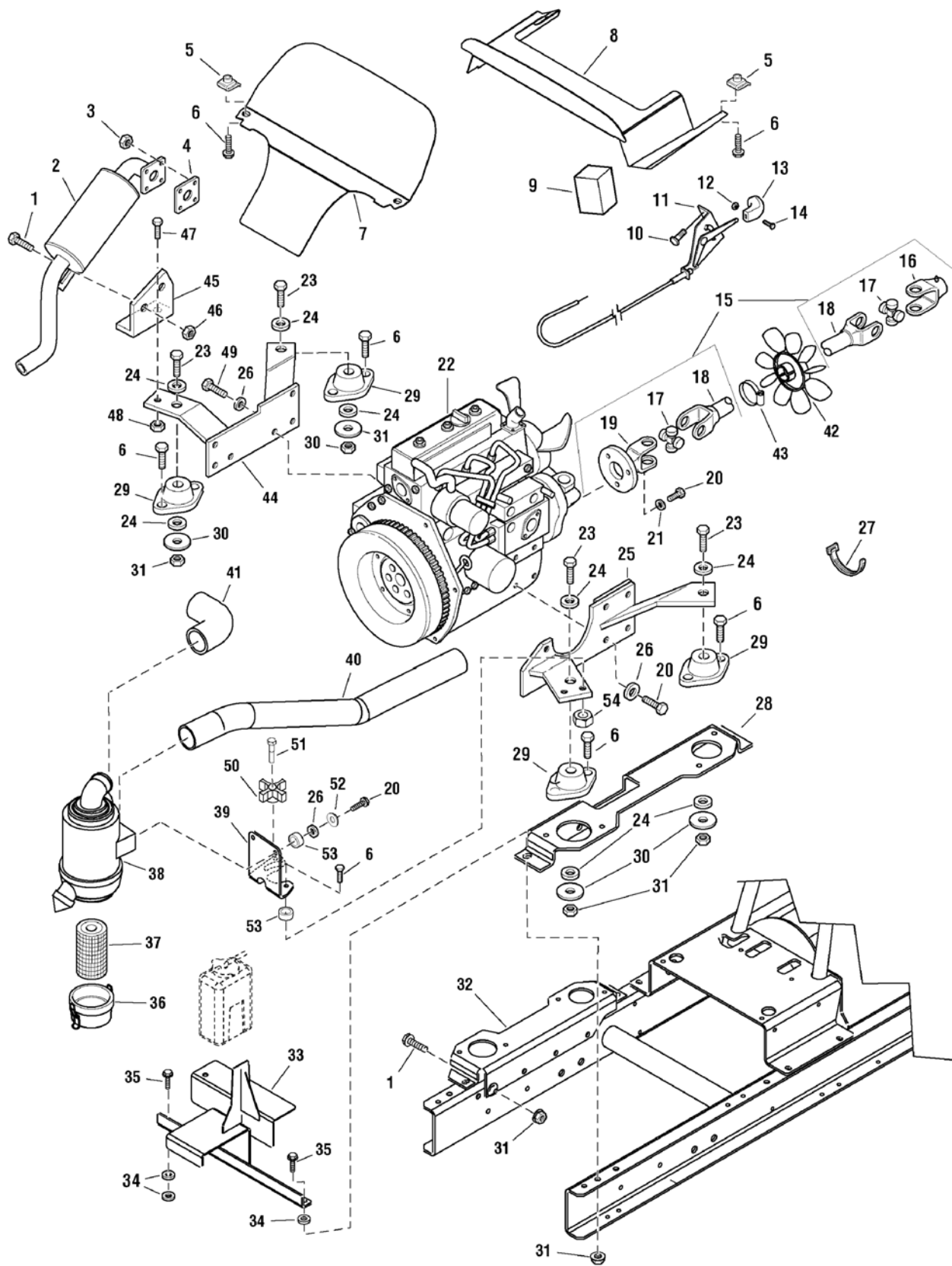
Engine Group - 27HP Briggs & Stratton Diesel Diagram 1

Item	Part No	Qty	Description
1	1934654	13	SCREW, Hex Whiz Lock Flange, 3/8-16 x 1
2	1718628	1	MUFFLER
3	----	4	* NUT
4	----	1	* BRACKET
5	1926018	6	NUT, Speed, 1/4-20, U Type
6	1664847	17	SCREW, Hex, Washer, Head, Taptite, 5/16-18 x 3/4
7	1725627A	1	SHIELD, Hood 18GA
8	1725590A	1	BAFFLE, Hood 18GA
9	1725731	2	SEAL, Foam 1-1/2 x 1-1/2, 2.8LG
10	1960578	2	SCREW, Hex, Washer Head, Taptite, 12-24 x 5/8
11	1725328	1	CONTROL, Throttle
12	1933896	1	NUT, Hex Lock, 10-24
13	1725337	1	KNOB, Slot
14	1960393	1	SCREW, Pan Head, PHILLIPS, 10-24 x 1
15	1724571	1	SHAFT ASSEMBLY, Drive (Includes Ref. Nos. 16, 17, 18 & 19)
16	----	1	YOKE, Drive Shaft (Order Complete Shaft Assembly, Ref. 15)
17	----	2	CROSS & BEARING KIT, Includes Grease Fitting (Order Complete Shaft Assembly, Ref. 15)
18	----	1	YOKE & TUBE ASSEMBLY (Order Complete Shaft Assembly, Ref. 15)
19	----	1	YOKE & FLANGE, Drive Shaft (Order Complete Shaft Assembly, Ref. 15)
20	1960347	10	CAPSCREW, Hex Head,
21	1917356	6	LOCKWASHER, Spring, 5/16
22	----	1	* ENGINE, 26.5HP Diesel B&S Mod. 582447-0424-E2
23	1921972	4	CAPSCREW, Hex Head, 3/8-16 x 2-1/2, G5
24	1924940	8	WASHER, 3/8
25	1726580A	1	MOUNT ASSEMBLY, Engine, L.H.
26	1917356	12	LOCKWASHER, Spring, 5/16
27	2825094	3	TIE, Self Locking, 7.31LG
28	1724813A	1	MOUNT, Engine, L.H.
29	1718655	4	MOUNT, Engine, Rear
30	1718640A	4	WASHER, 1/2
31	1960680	17	NUT, Hex KEPS, 3/8-16 Conical Washer
32	1724812A	1	MOUNT, Engine, R.H.
33	1725598A	1	HOLD DOWN ASSEMBLY, Battery
34	1922755	7	WASHER, 3/8
35	1928727	2	SCREW, Hex, Whiz Lock, Flange, 3/8-16 x 1-1/4
36	1734572	1	COVER ASSEMBLY, Air Cleaner
37	1734571	1	FILTER, Air Cleaner
38	1719546	1	AIR CLEANER ASSEMBLY
39	1725588A	1	BRACKET, Air Cleaner
40	1725630	1	HOSE, Air Inlet, 28LG
41	1726042	1	HOSE, Inlet
42	1725661	1	FAN
43	1725746	5	CLAMP, Hose, Worm .81" to 1.75" ID
44	1726581A	1	MOUNT ASSEMBLY, Engine R.H.

Footnotes:

Note: * See your local Briggs & Stratton distributor for parts & service.

Engine Group - 27HP Briggs & Stratton Diesel Diagram 1



Engine Group - 27HP Briggs & Stratton Diesel Diagram 1

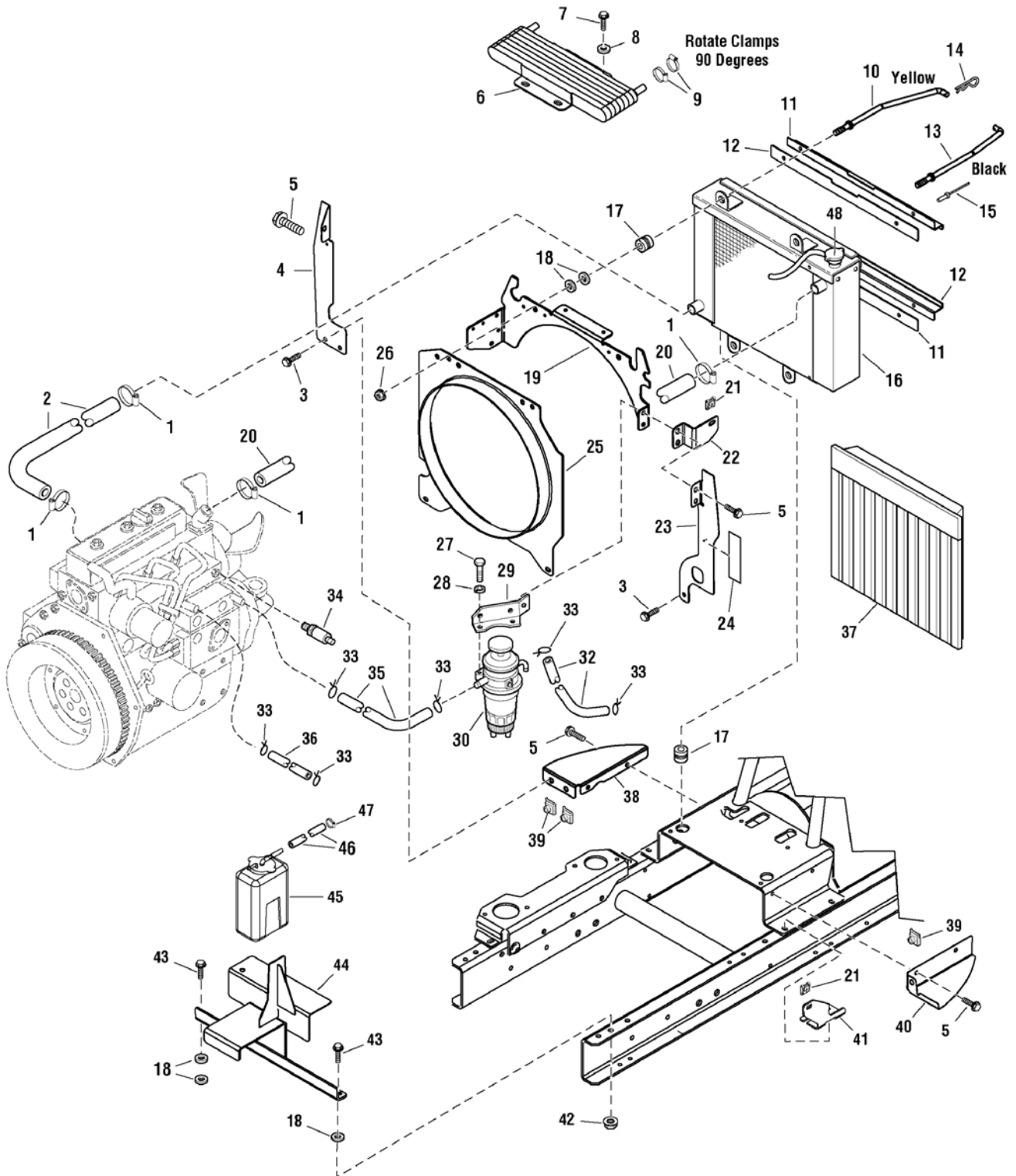
Item	Part No	Qty	Description
45	1718639A	1	BRACKET, Muffler
46	1960687	4	NUT, Hex, Flange, 3/8-16, ESNA
47	1930591	4	SCREW, Hex, Whiz Lock, Flange 5/16-18 x 1-1/4
48	1960686	1	NUT, Hex, Flange, 5-16-18, ESNA
49	1950018	6	CAPSCREW, Hex Head
50	1670578	1	KNOB
51	1921677	1	CAPSCREW, Hex Head 5/16-18 x 1-1/2
52	1919326	1	WASHER, 11/32 x 3/4 x 1/16
53	1666697	2	SPACER
54	1917372	1	NUT, Hex, 5/16-18

Not for
Reproduction

Footnotes:

Note: * See your local Briggs & Stratton distributor for parts & service.

Engine Group - 27HP Briggs & Stratton Diesel Diagram 2



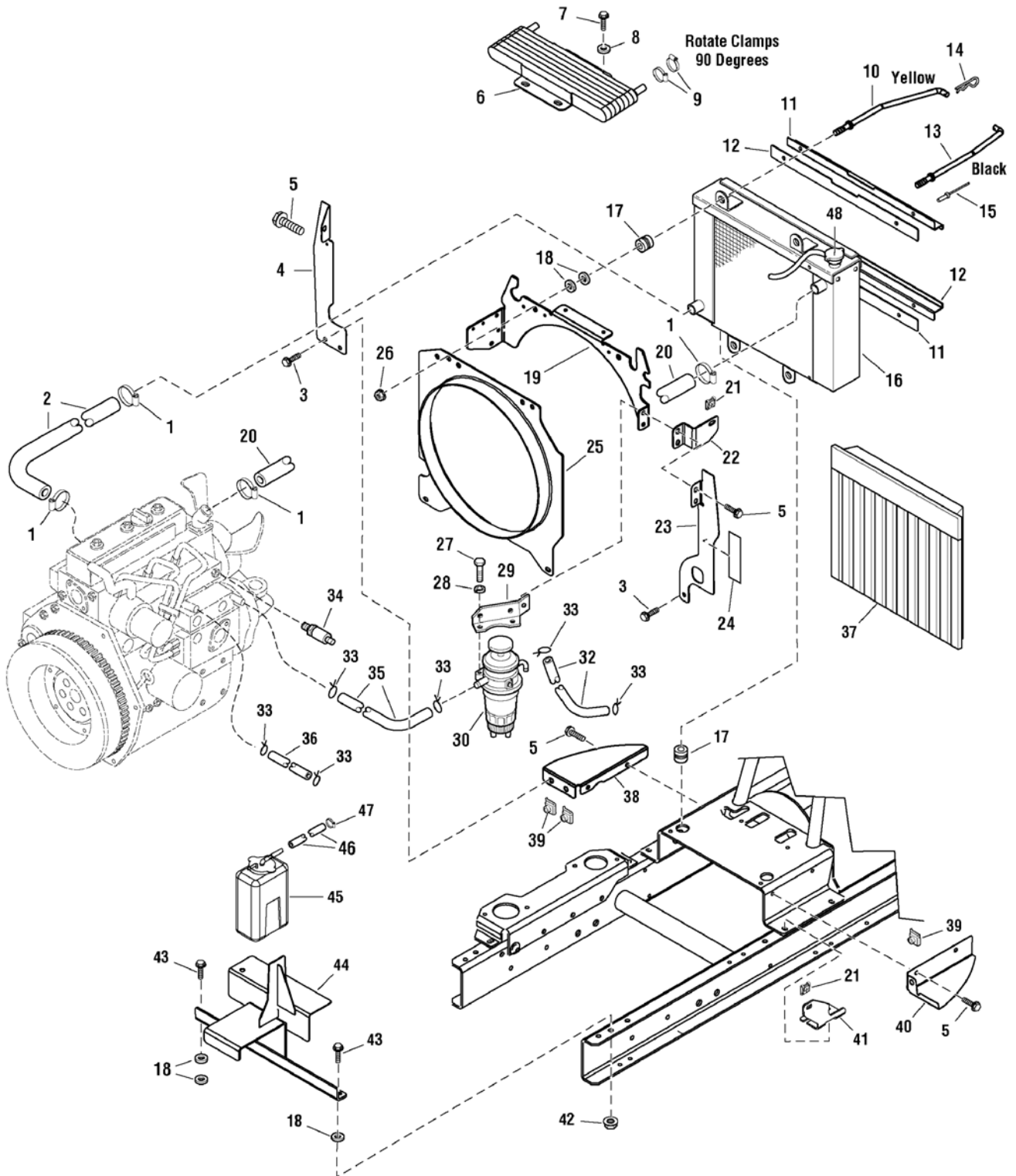
Engine Group - 27HP Briggs & Stratton Diesel Diagram 2

Item	Part No	Qty	Description
1	1725746	4	CLAMP, Hose, Worm .81" to 1.75" ID
2	1718629	1	HOSE, Radiator, 1" ID, 1.38" OD, 19.12" L
3	1930591	4	SCREW, Hex, Whiz Lock, Flange, 5/16-16 x 1-1/4
4	1725033A	1	SHIELD, R.H., 16GA
5	1664847	17	SCREW, Hex, Washer Head, Taptite, 5/16-18 x 3/4
6	1725559	1	COOLER ASSEMBLY, Oil
7	1925003	2	SCREW, Hex, Washer Head, Taptite, 1/4-20 x 1/2
8	1921319	2	WASHER, 1/4
9	2860266	4	CLAMP, Hose, .5" to 1.38" ID
10	1725098	1	ROD, Radiator, R.H.
11	1725363A	2	SLIDE, Offset, 14GA
12	1725362A	2	SLIDE, Screen Flat, 14GA
13	1725099	1	ROD, Radiator, L.H.
14	1722460	2	PIN, Quick, .080" x 1.19" L
15	1675043	4	RIVET, Pop
16	1724906	1	RADIATOR
17	----	4	SPACER (Included with Ref. No. 16)
18	1922755	7	WASHER, 3/4
19	1726813A	1	SUPPORT, Radiator Shroud, 10GA
20	1718630	1	HOSE, Radiator, 1" ID, 1.38" OD, 7.14" L
21	1725711	2	CLIP, 1/4 Turn Push
22	1725430A	1	COVER, Bracket, Top, 12GA
23	1725034A	1	SHIELD, L.H., 16GA
24	1717596	1	DECAL, Clean Radiator
25	1725116	1	SHROUD, Radiator
26	1960687	4	NUT, Hex, Flange, 3/8-16 ESNA
27	1950018	2	CAPSCREW, Hex Head
28	1917356	6	LOCKWASHER, Spring, 5/16
29	1725589A	1	BRACKET, Fuel Filter
30	----	1	* FUEL FILTER ASSEMBLY (Includes Fuel Filter)
30	----	1	* FILTER, Fuel
32	1725749	1	HOSE, Fuel
33	1679214	6	CLAMP, Hose
34	1718663	1	SENDER, Temperature
35	1734996	1	HOSE, Fuel, .25" ID x .5" OD x 12.5" L (Was 1718663)
36	1725749	1	HOSE, Fuel (Cut to 71.5)
37	1725623A	1	SCREEN, Corrugated, 20GA
38	1725026A	1	BAFFLE, R.H., 16GA
39	1935255	3	NUT, Speed, 5/16-18, Lug Type
40	1725422A	1	BAFFLE, L.H., 16GA
41	1725429A	1	COVER, Bracket, Bottom
42	1960680	17	NUT, Hex, KEPS, 3/8-16 Conical Washer
43	1928727	2	SCREW, Hex, Whiz Lock, Flange, 3/8-16 x 1-1/4
44	1725598A	1	HOLD DOWN ASSEMBLY, Battery

Footnotes:

Note: * See your local Briggs & Stratton distributor for parts and service.

Engine Group - 27HP Briggs & Stratton Diesel Diagram 2



Engine Group - 27HP Briggs & Stratton Diesel Diagram 2

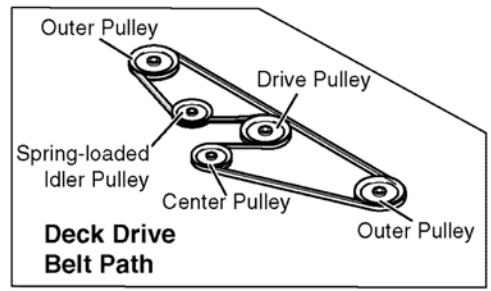
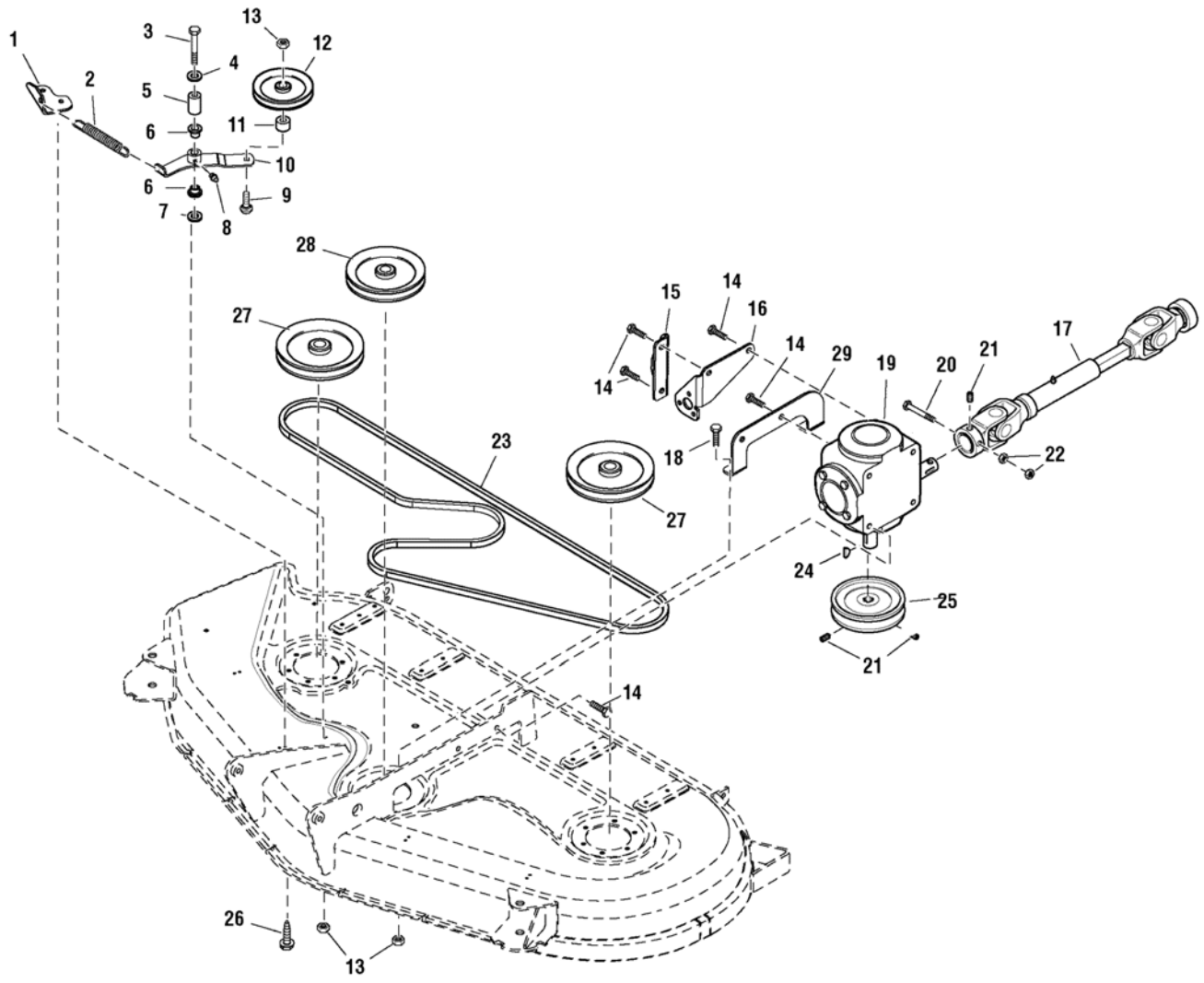
Item	Part No	Qty	Description
45	----	1	* RADIATOR, Overflow
46	----	1	* HOSE, Radiator Overflow
47	1679061	1	CLAMP, Hose, Worm, .625" ID
48	1737239	1	CAP, Radiator (Was 1720697)

Not for
Reproduction

Footnotes:

Note: * See your local Briggs & Stratton distributor for parts and service.

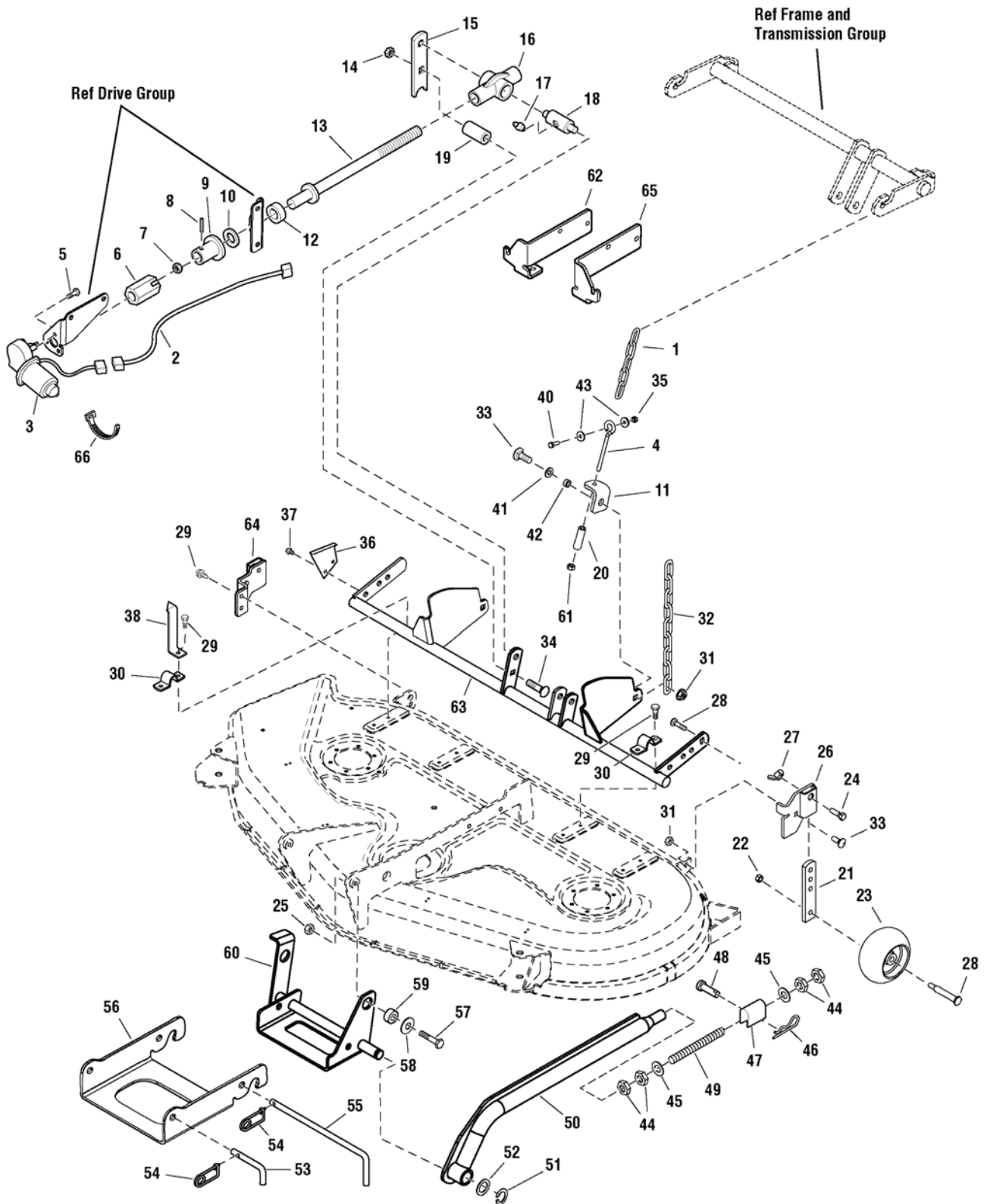
54" Mower Deck - Drive Group



Item	Part No	Qty	Description
1	1725190	1	BRACKET, Spring Mounting
2	1718016	1	SPRING, Extension
3	1923701	1	CAPSCREW, Hex Head, 3/8-16 x 2, Black
4	1924940	1	WASHER, 3/8
5	1674669	1	SPACER
6	1676148	2	BUSHING
7	1922611	1	WASHER, 3/8
8	2812808	1	FITTING, Grease
9	1931352	1	CARRIAGE BOLT, 3/8-16 x 1-1/2
10	1725189A	1	IDLER ARM ASSEMBLY (Includes Ref. No. 6)
11	1667811	1	SPACER
12	1725372	1	PULLEY, Idler
13	1960687	4	NUT, Hex, Flange Lock, ESNA, 3/8-16, Black
14	1960695	6	CAPSCREW, Hex Washer Head, 3/8-16 x 1-1/8, Black
15	1724513A	1	SUPPORT, Height of Cut
16	1724514A	1	BRACE, Height of Cut
17	1725217	1	DRIVE SHAFT ASSEMBLY
18	1960702	2	BOLT, Carriage, 3/8-16 x 1
19	1725298	1	GEARBOX ASSEMBLY
20	1921159	1	CAPSCREW, Hex Head, 1/4-20 x 2-1/4, Black
21	1928721	3	SCREW, Set, Square Head, Cup Point, 5/16-18 x 1/2, G8
22	1923358	2	NUT, Hex Center Lock, 1/4-20, Black
23	1732086	1	V-BELT, 54" Mower 103.50
24	2822138	1	KEY, Hi Pro, 1/4 x 7/8
25	1731974	1	PULLEY & HUB ASSEMBLY
26	1960568	2	CAPSCREW, Hex Head, 1/4-20 x 7/8, Black
27	1720182A	2	PULLEY ASSEMBLY, Side
28	1679161A	1	PULLEY ASSEMBLY, Center
29	1724537A	1	SUPPORT, Gearbox

Footnotes:

54" Mower Deck - Height Adjustment & Roller Group

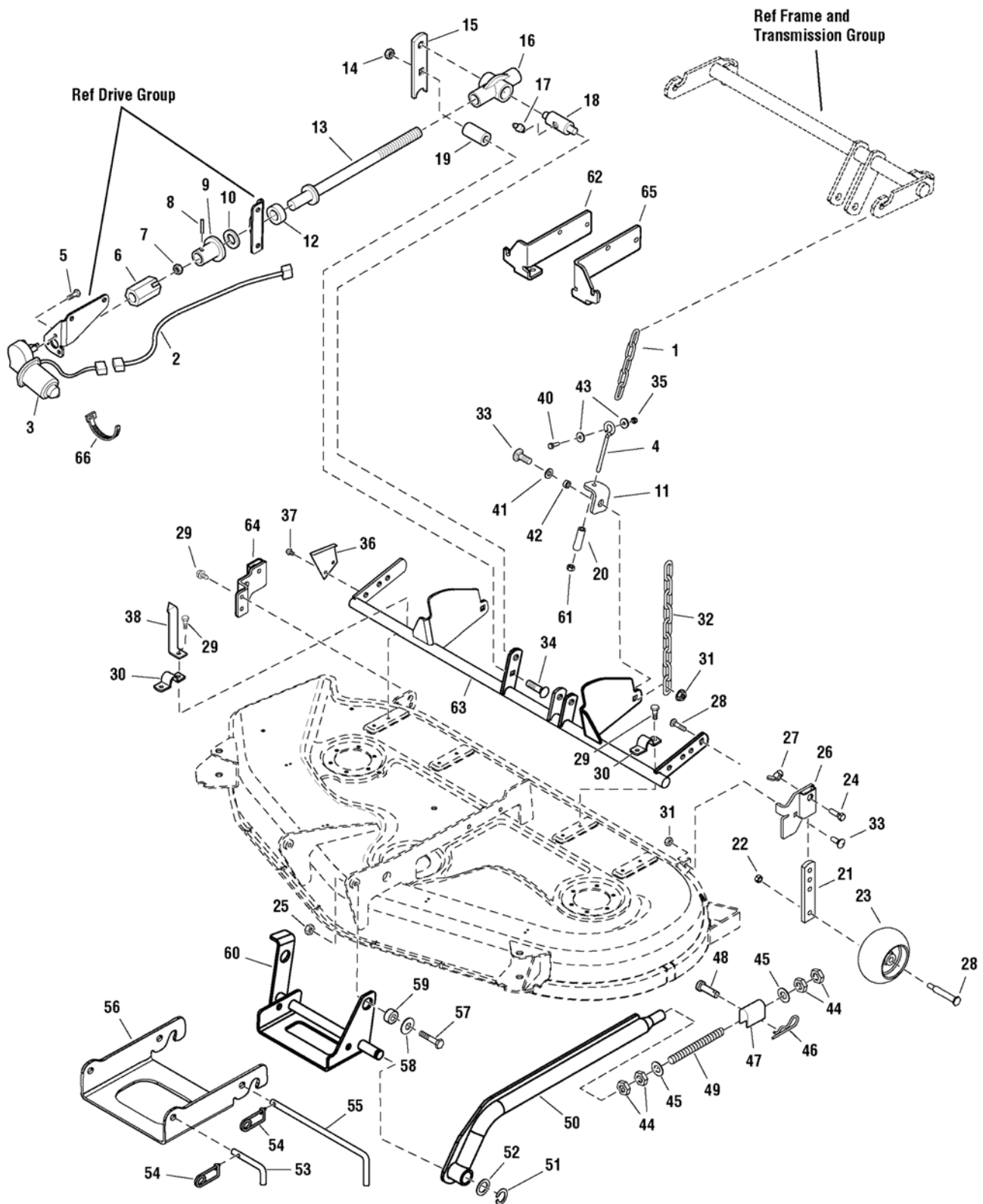


54" Mower Deck - Height Adjustment & Roller Group

Item	Part No	Qty	Description
1	2107031	2	CHAIN ASSEMBLY, 5 Links
2	1716986	1	HARNESS ASSEMBLY
3	1715885	1	MOTOR, Electric
4	1675198	1	BOLT, Tensioner
5	2860664	3	CAPSCREW, Hex Washer Head, Dog Point, 1/4-20 x 7/8
6	1715886	1	ADAPTER, Motor
7	1960685	1	NUT, Hex, Washer, KEPS, 1/4-20
8	1960581	1	PIN, Spring, .199" OD x 1.5" L
9	1715887	1	HUB
10	1716998	1	WASHER, Special, Nylon
11	1733670A	2	BRACKET, Lift
12	1715891	1	BEARING, Thrust
13	1724524	1	ROD & SPACER ASSEMBLY
14	1960689	1	NUT, Hex, Top Lock, 1/2-13
15	1715881A	1	LEVER
16	1716424	1	COVER, Rod
17	1704314	1	FITTING, Lube
18	1715892	1	TRUNNION
19	1679166	1	SPACER
20	1733735	2	SPACER, Lift
21	7035835	2	POST, Anti-Scalp
22	1930651	1	NUT, Lock, 3/8-16
23	1700184	1	GAGE WHEEL
24	1920415	2	CAPSCREW, 3/8-18 x 1.25
25	2860681	6	NUT, Hex Top Lock, 3/8-16
26	1733732A	2	SUPPORT ASSEMBLY, Gage Wheel, L.H.
27	7091049	2	NUT, WING, 3/8-16
28	7029265	2	BOLT, Gage Wheel
29	1664847	8	CAPSCREW, Hex Washer Head, 5/16-18 x 3/4
30	1720147A	4	STRAP
31	1960687	2	NUT, Hex Flange Lock, ESNA, 3/8-16
32	1733674A	2	CHAIN, 8 Link
32	1725735A	2	CHAIN, 9 Link
33	1931350	2	CARRIAGE BOLT, 3/8-16 x 1
34	1960489	1	CARRIAGE BOLT, 1/2-13 x 2-1/2
35	1920397	2	NUT, Hex, Esna Lock, 1/4-20
36	1704116A	1	BRACKET, Height of Cut
37	1924856	2	CAPSCREW, Hex Washer Head, Taptite, 5/16-18 x 1/2
38	1720643A	1	INDICATOR, Height of Cut
40	1921960	2	CAPSCREW, Hex, 1/4-20 x 1.00
41	1922755	2	WASHER, Flat 3/8
42	1611705	2	SPACER
43	1960353	4	WASHER, Plain, 1/4
44	1922014	4	NUT, Hex, Jam, 5/8-18

Footnotes:

54" Mower Deck - Height Adjustment & Roller Group



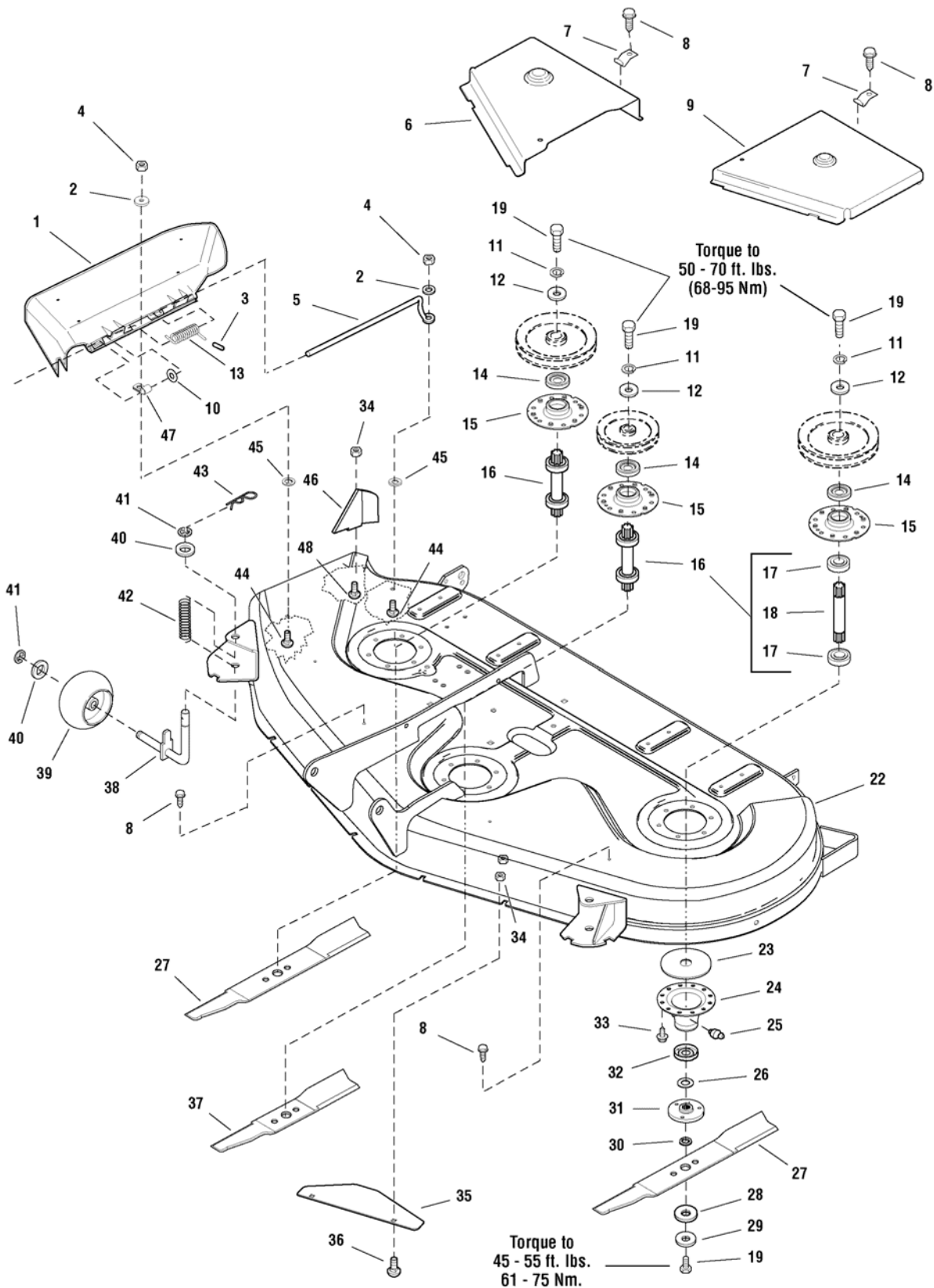
54" Mower Deck - Height Adjustment & Roller Group

Item	Part No	Qty	Description
45	1924366	2	WASHER, 5/8
46	1960074	1	CLIP, Hair Pin, 3/32"
47	1725201A	1	TRUNION
48	1722819	1	PIN, Yoke, Drilled, 1/2" x 2.12" L
49	1722507	1	STUD, 5/8-18 x 8-9/16
50	1725296A	1	ARM & TUBE ASSEMBLY
51	1725092	1	RING, Retaining, External, 1
52	1919394	1	WASHER, 1
53	1717075	2	PIN, .5" Dia. x 4" L
54	2176012	3	PIN, Spring, .312" x 1.1" L
55	1715872	1	ROD, .5" x 11.38" L
56	1724528A	1	HITCH
57	1921971	2	CAPSCREW, Hex Head, 3/8-16 x 1-3/4
58	1924356	2	WASHER, 3/8
59	1726089	2	SPACER
60	1724523A	1	HITCH ASSEMBLY
61	1919438	2	NUT, Esna Lock, 5/16-18
62	1733774A	1	BRACKET, Lift, R.H.
63	1733733A	1	ROCKER, Shaft Assembly
64	1727612A	1	GAGE, Wheel Assembly, R.H.
65	1733775A	1	BRACKET, Lift, L.H.
66	2825094	1	WIRE TIE

Not for
Reproduction

Footnotes:

54" Mower Deck - Housing, Arbors & Blades Group

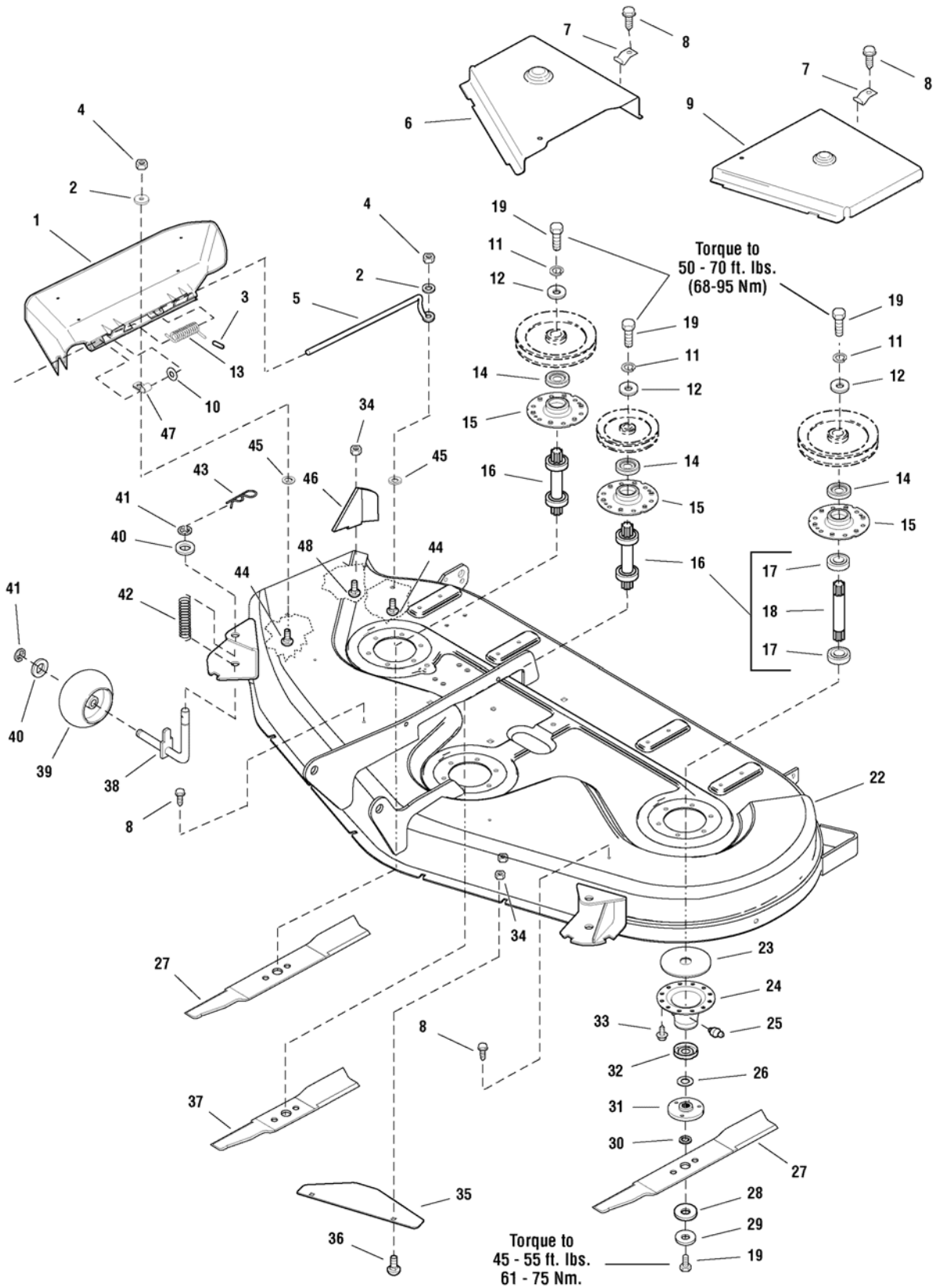


54" Mower Deck - Housing, Arbors & Blades Group

Item	Part No	Qty	Description
1	1705449	1	DEFLECTOR, Plastic
2	1960353	2	WASHER, Plain, 1/4
3	1723323	2	CAP, Spring End
4	1920397	2	NUT, Hex, Lock ESNA, 1/4-20, Black
5	1706709	1	ROD, Deflector, Front
6	1720184D	1	COVER, Arbor, RH (Red)
7	1720623	4	CLIP, Spring
8	1927428	4	SCREW, Hex Head Taptite, 1/4-20 x 3/8 (Was 1929000)
9	1720186D	1	COVER, Arbor LH (Red)
10	1919326	1	WASHER, Plain, 5/16
11	1918199	2	WASHER, Lock, 7/16
12	1933263	2	WASHER, 7/16
13	7101082	1	SPRING, Torsion
14	1657969	3	SHIELD, Bearing Upper, Arbor
15	1655729A	3	HOUSING, Arbor, Top
16	1676278	3	ARBOR SHAFT & BEARING ASSEMBLY (Includes Ref. Nos. 17 & 18)
17	2108202	6	BEARING, Ball, 3/4 x 1-3/4 x 5/8
18	1676277	3	ARBOR SHAFT
19	2823471	6	CAPSCREW, Hex Head, 7/16-14 x 1-1/4, G8
22	1687177	1	HOUSING ASSEMBLY, 54" Legacy XL (Red)
23	1707335	3	GASKET, Foam
24	1703273A	3	ASSEMBLY, Housing, Bottom (Includes Ref. No. 25)
25	1704314	3	FITTING, Lube
26	1700230	3	WASHER, Shim
27	1736043A	2	BLADE, Mower, 20-1/2 (Was 1725921)
28	1679711	3	WASHER, Spline
29	1656916	3	WASHER, Spring
30	1657528	3	RING, Self Locking
31	1655777	3	ADAPTER, Blade
32	1700229	3	SHIELD, Grass
33	1664847	16	CAPSCREW, Hex Head, Taptite, 5/16-18x 3/4, Black
34	1960684	3	NUT, Hex, KEPS, 5/16-18, Black
35	1720962A	1	BAFFLE, Front, Anti-Blowout
36	1931333	2	CARRIAGE BOLT, 5/16-18 x 3/4
37	1736044A	1	BLADE, Mower, 16 (Was 1725922)
38	1720497	2	SPINDLE, Assembly
39	1716353	2	WHEEL, Gauge
40	1960020	2	WASHER, Plain 1/2
41	1703805	4	KLIP, Ring, .50"
42	1716346	2	SPRING
43	1960033	1	PIN, Hairpin, .125" Dia. x 2.56 L
44	1960698	2	CARRIAGE BOLT, 1/4-20 x 1, Black
45	1960518	2	NUT, Push
46	1724976A	1	BAFFLE, Discharge

Footnotes:

54" Mower Deck - Housing, Arbors & Blades Group



54" Mower Deck - Housing, Arbors & Blades Group

Item	Part No	Qty	Description
47	1704873	1	CLAMP, Wire
48	1925205	1	CAPSCREW, Hex Head, 5/16-18 x 5/8, Black

Not for
Reproduction

Footnotes:

Item	Part No	Qty	Description
1	1716422	1	BALL JOINT & STUD ASSEMBLY, R.H., Upper
2	1716425	1	TURNBUCKLE, 5/8-18 x 2-1/2
3	1922014	1	NUT, Hex, Jam, 5/8-18
4	1724829A	1	CLEVIS ASSEMBLY
5	1725049	7	PIN, Clevis, 5/8" Dia. x 2-1/2" L
6	1960033	9	CLIP, Hair Pin, .125" Dia. x 2.56" L
7	1921969	2	CAPSCREW, Hex Head, 3/8-16 x 1-1/2
8	1700312A	2	CHAIN, 16 Link
9	2156306	2	PIN, Round Head, 3/8" Dia. x 1-1/2" L
10	1724769	2	LINK & BALL JOINT ASSEMBLY
11	2176012	3	PIN, Spring
12	1724763	1	ROD ASSEMBLY, Lift
13	1919439	2	LOCKNUT, Hex, Nylock, 3/8-16
14	1960355	8	LOCKNUT, Hex, 1/2-13
15	1724826A	2	SUPPORT, Inner, Pin
16	1920328	8	CAPSCREW, Hex Head, 1/2-13 x 1-1/2
17	1724809	1	CLEVIS ASSEMBLY, Fixed
18	2860743	1	NUT, Hex Top Lock, 1/2-13, Yellow
19	1700419	1	STUD & BALL JOINT ASSEMBLY, R.H.
20	1960297	1	NUT, Jam, 3/4-10
21	1700479	1	TUBE & PIN ASSEMBLY, Upper
22	1725244	1	PIN, Clevis, Rear, .743" Dia. x 3.5" L
23	1725235	1	BALL JOINT & STUD ASSEMBLY
24	1724758A	1	HITCH ASSEMBLY
25	1725281	1	ROD, Hitch
26	1726412A	2	CLAMP, Upper Link .162 Diameter, Stainless, Black
27	1960667	2	Screw, Hex Lock Flange, 5/16-18 x 1
28	1960684	2	NUT, Hex, Conical Washer, 5/16-18

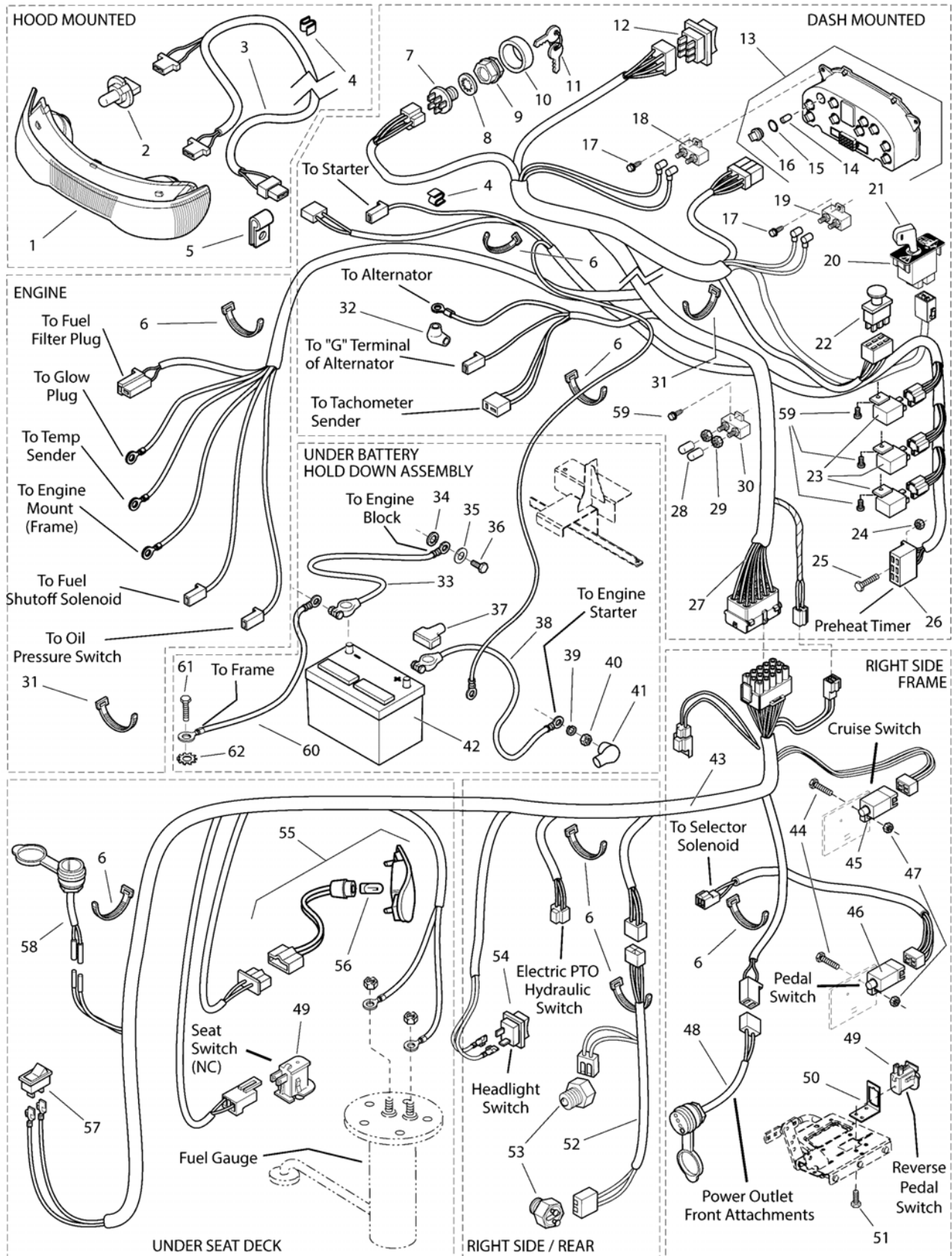
Footnotes:

Item	Part No	Qty	Description
1	1722806	1	DECAL, Ignition Switch Symbols, White/Black
2	1718025	1	DECAL, Automatic Control Traction
3	1722814	1	DECAL, Tunnel Cover, Danger Slopes/Blades
3	1734027	1	DECAL, Tunnel Cover, Danger Slopes/Blades (Export)
3	1726923	1	DECAL, Tunnel Cover
5	1727013	1	DECAL, Drive Belts, Mower Blades (Export)
5	1725573	1	DECAL, Drive Belts, Mower Blades
6	1720454	1	DECAL, Touch Up Paint, Orange, Black, Red
7	1723296	2	DECAL, Protective Sticker
8	-----	1	* LABEL, Decibel, Power Mass
9	-----	1	* DECAL, I.D. Plate
10	-----	1	* DECAL, Patent
12	1725776	1	DECAL, Transmission Release Valve
14	1704276	1	DECAL, Danger Do Not Put Hands/Feet in Mower
16	-----	1	* DECAL, OPEI Certified
17	1722791	1	DECAL, 54", Silver on Black with Stripe
18	1704277	1	DECAL, Danger Do Not Operate without Deflector
19	1717583	1	DECAL, Height of Cut (Export)
19	1721197	1	DECAL, Height of Cut
20	1733763	1	DECAL, Snapper, 4WD Diesel, R.H.
21	1733764	1	DECAL, Snapper, 4WD Diesel, L.H.
22	1725571	1	DECAL, Throttle Speed Silver/Black
23	1727089	1	DECAL, Danger 4WD Tip Over On Slopes
24	1726045	1	DECAL, Rotating Fan Blades
25	1725603	1	DECAL, Hydraulic Lift
26	1725574	1	DECAL, PTO Selector Position
27	1725575	1	DECAL, Danger, Rotating Parts
27	1725618	1	DECAL, Danger, Rotating Parts Icons (Similar)
28	1731955	1	DECAL, Snapper, Silver/Black
29	1733762	2	DECAL, GT600 27HP Snapper
30	1731419	1	DECAL, Snapper Steering Wheel Icon

Footnotes:

Note: * Not a service part.

Electrical Group - 27HP Briggs & Stratton Diesel

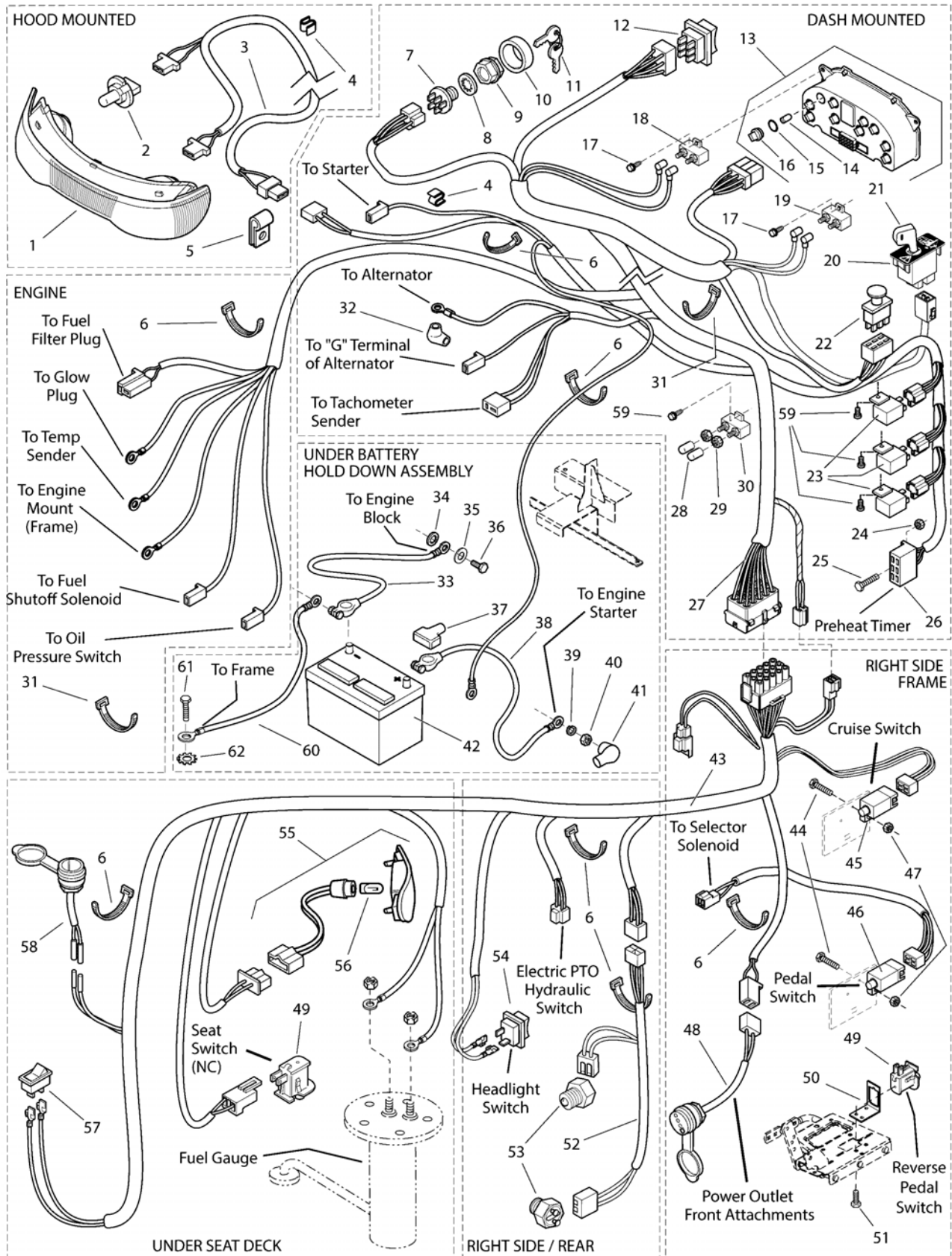


Electrical Group - 27HP Briggs & Stratton Diesel

Item	Part No	Qty	Description
1	1715923	1	HEADLIGHT
2	1717649	2	BULB, Headlight, Halogen
3	1726997	1	HARNESS, Headlight
4	2172434	1	CLIP, Wire
5	1708007	1	CLAMP, Wire 3/8 Diameter
6	1701011	12	TIE, Self Locking 7 in. Long
7	1737853	1	SWITCH ASSEMBLY, Ignition 5/8-32, 6 Pin INDAK (No Keys/Hdwr) (Was 1686734)
8	1960547	1	LOCKWASHER, Internal Tooth, 5/8, Thin
9	1717549	1	NUT, Hex Flange 5/8-32 Ignition Switch
10	1717550	1	COVER, Ignition Switch, Black
11	1717163	1	KEYS, Set of 2
12	1716329	1	SWITCH, Electric Lift, 6 Terminal
11	1737837	1	KEYS, Blister Pk, Kids+Mwrs Don't Mix, EXP (CE Models Only)
13	1724967	1	PANEL, Instrument (Includes Ref. Nos. 14, 15 & 16)
14	1717634	10	BULB, Instrument Panel
15	1729948	10	SEAL, Lamp Socket Plug
16	1722061	10	HOLDER, Bulb, Instrument Panel (Includes Ref. No. 15)
17	1960578	4	SCREW, Hex Washer Head, Thread Cutting, #12-24 x 5/8
18	1725534	1	BREAKER, Circuit 12VOLT 10AMP
19	1665238	1	BREAKER, Circuit 12VOLT 20AMP with Tab
20	1726556	1	SWITCH, RMO Module Only
21	1726557	1	KEY, RMO Module, Plastic
22	1722887	1	SWITCH, PTO Push/Pull, Yellow
23	1726829	2	RELAY, 12VOLT 5 Blade
24	1933896	1	NUT, Hex Lock 10-24 with Nylock Insert, NC3B
25	1960589	1	SCREW, Round Head Phillips #10-24 x 3/4
26	1726829	1	RELAY, Glow Plug
27	1726776	1	HARNESS, Main Diesel
28	1719680	2	COVER, Wire, Black, Vinyl
29	1928919	2	NUT, Hex & Washer Assembly, KEPS
30	1719311	1	BREAKER, Circuit 30AMP 12VOLT
31	1701011	3	TIE, Self Locking 15 in. Long
32	2122023	1	COVER, Terminal Red
33	1725263	1	CABLE, Battery, # 4 x 10 in Long, Black
34	2820426	1	LOCKWASHER, External Tooth 5/16
35	1918266	1	WASHER, 3/8
36	2850017	1	CAPSCREW, Hex Head M08-1.25 x 16MM
37	1713534	1	INSULATOR, Battery Terminal, Red
38	1725262	1	CABLE, Battery, # 4 x 15 in Long, Red
39	1917356	1	LOCKWASHER, Spring 5/16
40	2860433	1	NUT, Hex Flange M08-1.25
41	1724588	1	BOOT, Cable Terminal
42	1686714	1	BATTERY, 12 Volt 6 Cell, 500 CCA
43	1727679	1	HARNESS, Rear
44	1933737	4	SCREW, Hex Washer Head Slot, #10-24 x 5/8

Footnotes:

Electrical Group - 27HP Briggs & Stratton Diesel



Electrical Group - 27HP Briggs & Stratton Diesel

Item	Part No	Qty	Description
45	1717050	1	SWITCH, Push Button, Cruise Control
46	1701521	1	SWITCH, Push Button, Foot Pedal
47	1960591	4	NUT, Hex KEPS #10-24
48	1716987	1	HARNESS ASSEMBLY, Power Outlet
49	1732004	1	SWITCH, Push Button (No) Regent
50	1726810A	1	BRACKET, Switch Mounting, Reverse Pedal
51	1929000	3	CAPSCREW, Hex Head Taptite, 1/4-20 x 3/8
52	1724963	1	HARNESS, Transmission, PTO Lights (540 PTO Only)
53	1654634	2	SWITCH, Interlock Ball Check 5/16 (540 PTO Only)
54	1716951	1	SWITCH, Headlights, 2 Terminal
55	1715915	2	TAIL LIGHT ASSEMBLY
56	1717650	2	BULB, Tail Light
57	1725212	1	SWITCH, Rocker, Solenoid Select
58	1725302	1	POWER OUTLET, 12VOLT with Dust Cap
59	1704351	3	FASTENER, Panel
60	1733112	1	CABLE, 6 X 15 LG (2) Ring Terminals, Black
61	2827187	1	SCREW, Hex Washer HD, TAPTT 3/8-16 x 1
62	2820427	1	LOCKWASER, External Tooth, 3/8, Yellow

Not for
Reproduction

Footnotes:

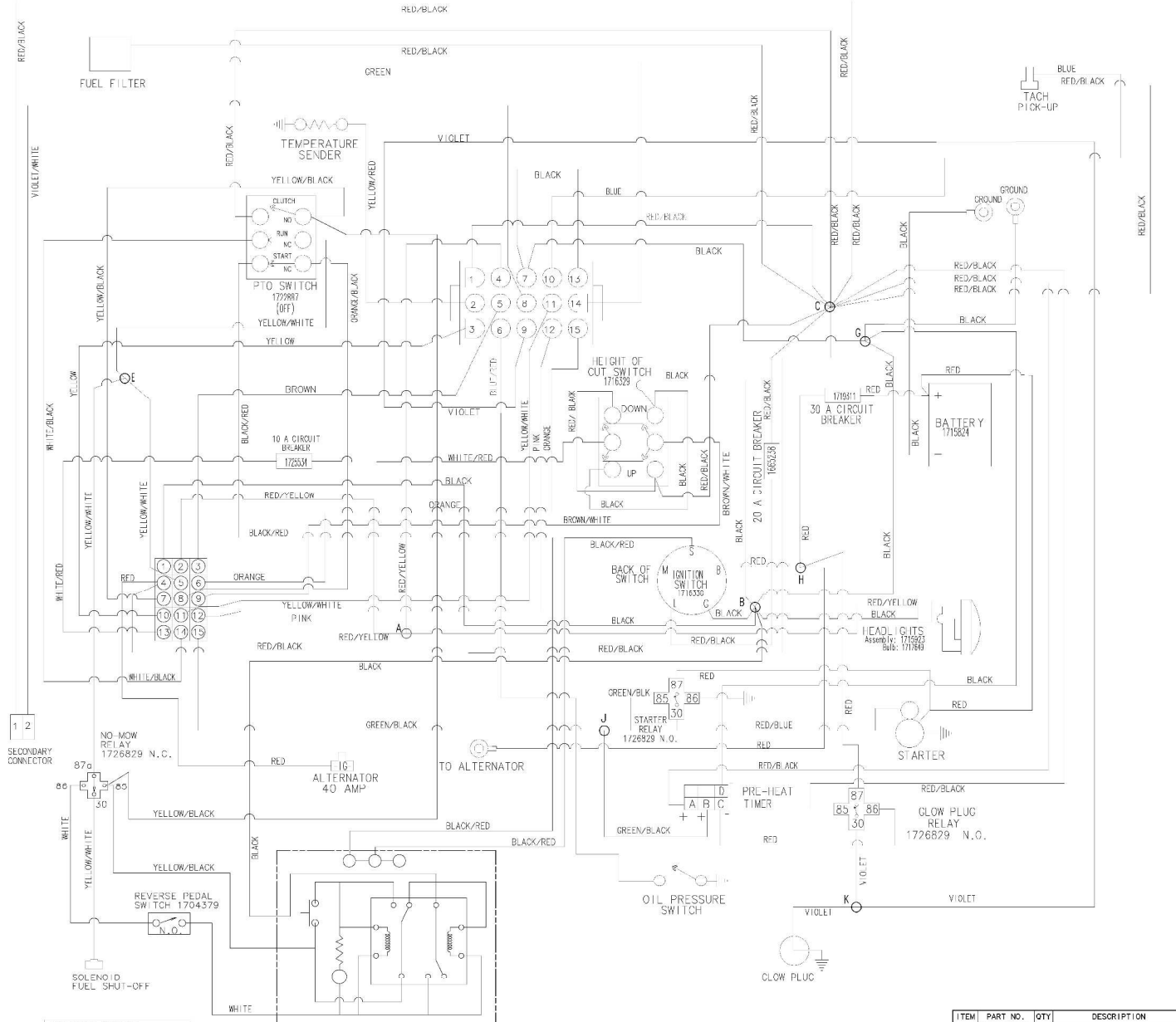
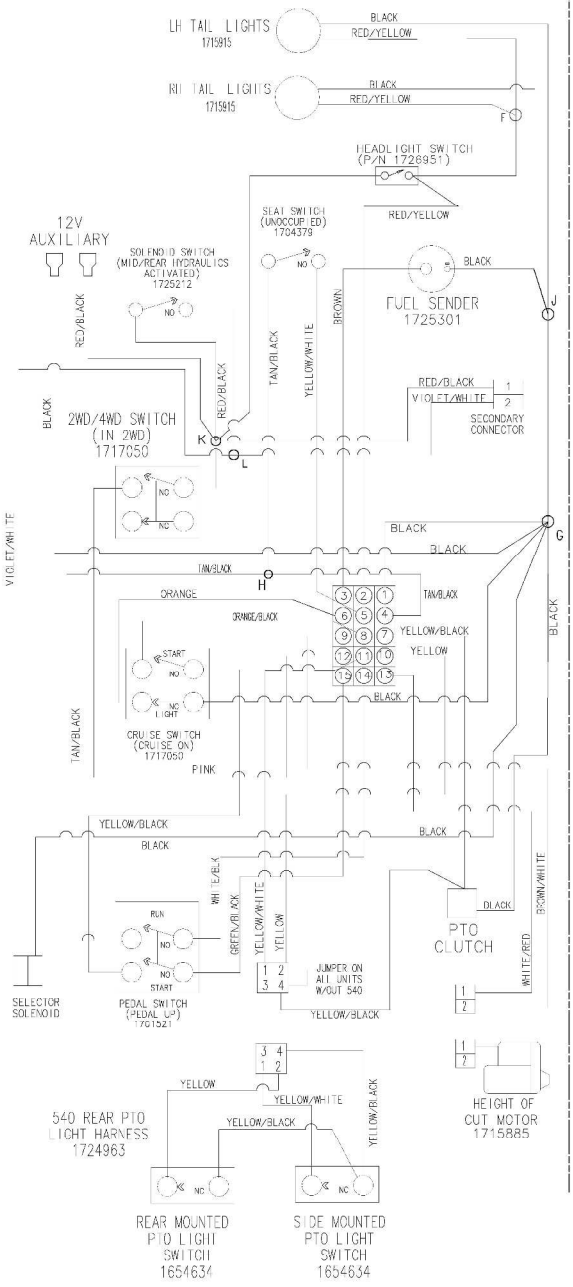
REAR HARNESS

1726806

MAIN HARNESS

1726776

- DASH TERMINALS
- 1 - POWER (BATTERY +)
 - 2 - TEMP GAGE
 - 3 - FRONT P.T.O. LIGHT
 - 4 - CLUSTER BACKLIGHTING
 - 5 - FUEL SENDER
 - 6 - OIL PRESSURE LIGHT
 - 7 - NEGATIVE (BATTERY -)
 - 8 - SOLENOID SELECTOR
 - 9 - GLOW PLUG LIGHT
 - 10 - TACH INPUT
 - 11 - REAR P.T.O. LIGHT
 - 12 - 4WD LIGHT
 - 13 - TEMP GAUGE GND
 - 14 - FUEL SEPARATOR
 - 15 - CRUISE LIGHT



IGNITION SWITCH POSITION	CIRCUIT MAKE
1. OFF	G & M
2. RUN	B & L
3. START	B & L & S

ITEM	PART NO.	QTY	DESCRIPTION
			SCHEMATIC - WIRING
			DIESEL - NO-MOW
<small> THIS DRAWING IS THE PROPERTY OF SIMPLICITY MFG., INC. IT IS TO BE USED ONLY FOR THE SPECIFIC EQUIPMENT IDENTIFIED HEREON. IT IS NOT TO BE REPRODUCED OR TRANSMITTED IN ANY FORM OR BY ANY MEANS, ELECTRONIC OR MECHANICAL, INCLUDING PHOTOCOPYING, RECORDING, OR BY ANY INFORMATION STORAGE AND RETRIEVAL SYSTEM. COMPUTER ENGINEERED. DATE: 1/26/72. PART NO. 1726772. SCALE: 1 OF 1. </small>			
			1726775

Hardware Identification & Torque Specifications

Torque Specification Chart								
FOR STANDARD METRIC MACHINE HARDWARE (Tolerance ± 20%)								
Property Class	5.6		8.8		10.9		12.9	
	Class 5.6		Class 8.8		Class 10.9		Class 12.9	
Size Of Hardware	in/lbs		in/lbs		in/lbs		in/lbs	
	ft/lbs	Nm.	ft/lbs	Nm.	ft/lbs	Nm.	ft/lbs	Nm.
M3	5.88	.56	13.44	1.28	19.2	1.80	22.92	2.15
M4	13.44	1.28	30.72	2.90	43.44	4.10	52.56	4.95
M5	26.4	2.50	60.96	5.75	5.97	8.10	7.15	9.7
M6	44.64	4.3	7.3	9.9	10.3	14	12.1	16.5
M7	5.2	7.1	12.1	16.5	16.9	23	19.9	27
M8	7.7	10.5	17.7	24	25	34	29	40
M10	15	21	35	48	50	67	59	81
M12	26	36	61	83	86.2	117	103	140
M14	42	58	101	132	136	185	162	220
M16	64	88	147	200	210	285	250	340
M18	89	121	202	275	287	390	346	470
M20	126	171	290	390	405	550	486	660
M22	169	230	390	530	559	745	656	890
M24	217	295	497	375	708	960	840	1140
M27	320	435	733	995	1032	1400	1239	1680
M30	435	590	995	1350	1401	1900	1681	2280
M33	590	800	1349	1830	1902	2580	2278	3090
M36	759	1030	1740	2360	2441	3310	2935	3980
M39	988	1340	2249	3050	3163	4290	3798	5150

Torque Specification Chart						
FOR STANDARD MACHINE HARDWARE (Tolerance ± 20%)						
Hardware Grade	No Marks		SAE Grade 5		SAE Grade 8	
	SAE Grade 2		SAE Grade 5		SAE Grade 8	
Size Of Hardware	in/lbs		in/lbs		in/lbs	
	ft/lbs	Nm.	ft/lbs	Nm.	ft/lbs	Nm.
8-32	19	2.1	30	3.4	41	4.6
8-36	20	2.3	31	3.5	43	4.9
10-24	27	3.1	43	4.9	60	6.8
10-32	31	3.5	49	5.5	68	7.7
1/4-20	66	7.6	8	10.9	12	16.3
1/4-28	76	8.6	10	13.6	14	19.0
5/16-18	11	15.0	17	23.1	25	34.0
5/16-24	12	16.3	19	25.8	29	34.0
3/8-16	20	27.2	30	40.8	45	61.2
3/8-24	23	31.3	35	47.6	50	68.0
7/16-14	30	40.8	50	68.0	70	95.2
7/16-20	35	47.6	55	74.8	80	108.8
1/2-13	50	68.0	75	102.0	110	149.6
1/2-20	55	74.8	90	122.4	120	163.2
9/16-12	65	88.4	110	149.6	150	204.0
9/16-18	75	102.0	120	163.2	170	231.2
5/8-11	90	122.4	150	204.0	220	299.2
5/8-18	100	136	180	244.8	240	326.4
3/4-10	160	217.6	260	353.6	386	525.0
3/4-16	180	244.8	300	408.0	420	571.2
7/8-9	140	190.4	400	544.0	600	816.0
7/8-14	155	210.8	440	598.4	660	897.6
1-8	220	299.2	580	788.8	900	1,244.0
1-12	240	326.4	640	870.4	1,000	1,360.0

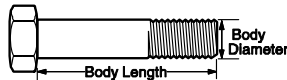
The guides and ruler furnished below are designed to help you select the appropriate hardware.



Nut, M8

Thread Diameter (mm)
Inside Diameter (in) Threads per inch

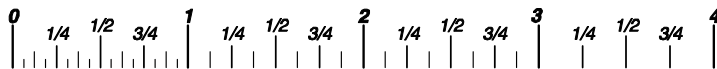
Nut, 1/2-16



Screw, M8- 1.25 x 25

Thread Diameter (mm) Distance between threads (mm) Body Length (mm)
Body Diameter Threads per inch Body Length (in)

Screw, 1/2- 16 x 2



Standard Hardware Sizing

When a washer or nut is identified as 1/2" (M8), this is the *Nominal size*, meaning the *inside diameter* is 1/2 inch (8mm metric thread diameter); if a second number is present it represents the *threads per inch* (distance between threads).

When bolt or capscrew is identified as 1/2 - 16 x 2" (M8 - 1.25 x 50), this means the *Nominal size*, or body diameter is 1/2 inch (8mm metric thread diameter), the second number, 16, represents the *threads per inch*, (1.25 thread diameter). The final number is the body length of the bolt or screw, 2 inches (50mm).

NOTES

- These torque values are to be used for all hardware excluding: locknuts, self-tapping screws, thread forming screws, sheet metal screws and socket head setscrews.
- Recommended seating torque values for locknuts:
 - for prevailing torque locknuts - use 65% of grade 5 torques.
 - for flange whizlock nuts and screws - use 135% of grade 5 torques.
- Unless otherwise noted on assembly drawings, all torque values must meet this specification.

Common Hardware Types

Hex Head Capscrew



Washer

Lockwasher

Carriage Bolt



Hex Nut

Wrench & Fastener Size Guide

1/4" Bolt or Nut Wrench—7/16"	5/16" Bolt or Nut Wrench—1/2"	3/8" Bolt or Nut Wrench—9/16"	7/16" Bolt or Nut Wrench (Bolt)—5/8" Wrench (Nut)—11/16"	1/2" Bolt or Nut Wrench—3/4"
M6 Bolt or Nut Wrench—10mm	M8 Bolt or Nut Wrench—13mm	M10 Bolt or Nut Wrench—17mm	M12 Bolt or Nut Wrench—19mm	M14 Bolt or Nut Wrench—22mm

Parts Manual for

SNAPPER®

**GT600 Diesel 4WD
3 Point Hitch Tractor
GT600 SERIES**

Not for
Reproduction

IT IS THE POLICY OF BRIGGS & STRATTON CORP TO IMPROVE ITS PRODUCTS WHENEVER IT IS POSSIBLE AND PRACTICAL TO DO SO. WE RESERVE THE RIGHT TO MAKE CHANGES OR ADD IMPROVEMENTS AT ANY TIME WITHOUT INCURRING ANY OBLIGATION TO MAKE SUCH CHANGES ON PRODUCTS

Briggs & Stratton Yard Power Products Group

535 Macon Road
McDonough, GA, 30253 U.S.A.
800-935-2967

www.snapper.com

Copyright © 2014 Briggs & Stratton Corporation
Milwaukee, WI USA. All Rights Reserved

Manual No. 7006465

Revision: D 3/26/2014