

DR[®] LEAF and LAWN VACUUM
Self Propelled Model



DR WLL115MN PARTS LIST



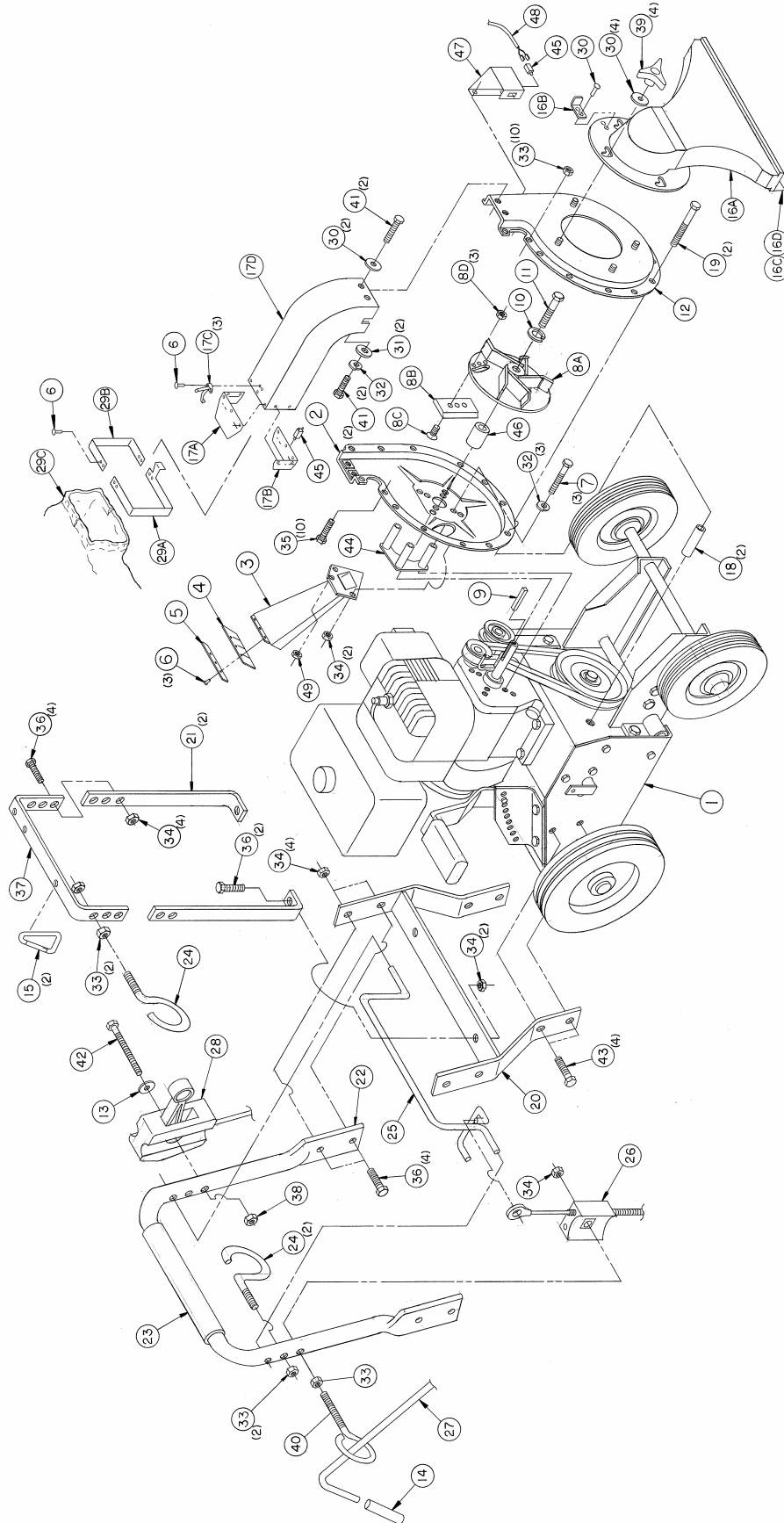
Chapter 7: Parts Lists, Schematic Diagrams And Warranty

Parts List – MAIN ASSEMBLY

NOTE: Part numbers listed are available through DR Power Equipment.

Ref#	Part#	Description	Ref#	Part#	Description
01	(Ref only)	Drive Train Assembly(see page 26)	27	285911	Rod, Shift
02	284591	Housing Weldment, Engine side	28	215921	Throttle Control
03	284601	Hopper Weldment	29	285931	Bag Assembly, Collection
04	284611	Shield, Blow Back	29A	285721	Bracket, Bag, Left
05	284621	Mount Strip	29B	285731	Bracket, Bag, Right
06	284581	Rivet, 3/16" x 13/32" lg	29C	284681	Bag, Collection
07	284631	Bolt, HHCS, 5/16-24 x 2-1/4", GR5, Pltd	30	149651	Washer, Fender, 5/16", Pltd
08	284641	Complete Impeller Kit (Includes 8A,B,C,D)	31	145151	Washer Flat, 5/16", USS, Pltd.
08A	284351	Shredder Plate Weldment	32	155111	Lock Washer, Med. Split, 5/16", Pltd.
08B	284651	Knife, Chipper	33	144181	Locknut, Whiz, 5/16-18, Pltd.
08C	140671	Screw, Flat Hd. Soc. Cap, 5/16-18 x 1"	34	143131	Locknut, Nylon Lock, 5/16-18, Pltd.
08D	143131	Locknut, Nylon Lock, 5/16-18, Pltd	35	149641	Bolt, HHCS, 5/16-18 x 5/8", GR5, Pltd.
09	144441	Key, 1/4" x 1/4" x 2"	36	146051	Bolt, HHCS, 5/16-18 x 1" GR5, Pltd.
10	216511	Lock Washer, Med. Split, 3/8", Pltd	37	285691	Frame, Bag Hanger, Top
11	202721	Bolt, HHCS, 3/8-24 x 2-1/2", GR8, Blk.	38	143401	Locknut, Nylon Lock, 1/4-20, Pltd.
12	285891	Housing, Inlet	39	285791	Knob, Three, Prong
13	154801	Washer, Flat, 1/4"	40	154821	Eyebolt, 5/16-18 x 5"
14	285661	Grip, Black, 3/8" x 3"	41	167791	Bolt, HHCS, 5/16-18 x 3/4"
15	285631	Carabiner	42	284701	Bolt, HHCS, 1/4-20 x 2-1/4"
16	289031	Snout Assembly, Vacuum Inlet	43	162511	Screw, Self Tapping, 5/16-18 x 3/4"
16A	285951	Snout, Vacuum Inlet	44	285741	Spacer Weldment, Housing
16B	285671	Bracket, Interlock Contact	45	285751	Switch, Plunger
16C	289041	Flap, Snout	46	285761	Spacer, Impeller
16D	289051	Mount, Flap	47	285771	Bracket, Snout Interlock
17	289021	Discharge Chute Assembly	48	285781	Wire Harness, Interlock Switch
17A	285691	Adapter, Bag, Top	49	289061	Nut, Nylon Lock, Low Profile, 5/16-18
17B	285701	Adapter, Bag, Bottom	Labels		
17C	285711	Latch, Draw	242001	Label, Warning, Rotating Knife and Flywheel	
17D	285941	Discharge Chute	241801	Label, Danger, Read Operators Manual	
18	284661	Spacer, Mounting, Lower Housing	282951	Label, Traction Drive	
19	242490	Bolt, HHCS, 5/16-18 x 5-1/4"	282961	Label, Warning, Keep Fingers Away	
20	149431	Handle Weldment, Side	282971	Label, Caution, Hot Surface	
21	285681	Frame, Bag Hanger, Bottom	127811	Label, Warning, Add Oil	
22	284671	Handle, Upper	240531	Label, DR Logo, 4"	
23	289011	Grip, Handle	285651	Label, Shift Rod	
24	149451	Hook, Bag Hanger	--	Label, Warning, Do Not Unzip (comes with Collection Bag #284681)	
25	149411	Bail Weldment			
26	149631	Cable Assembly, Clutch			

Schematic – MAIN ASSEMBLY

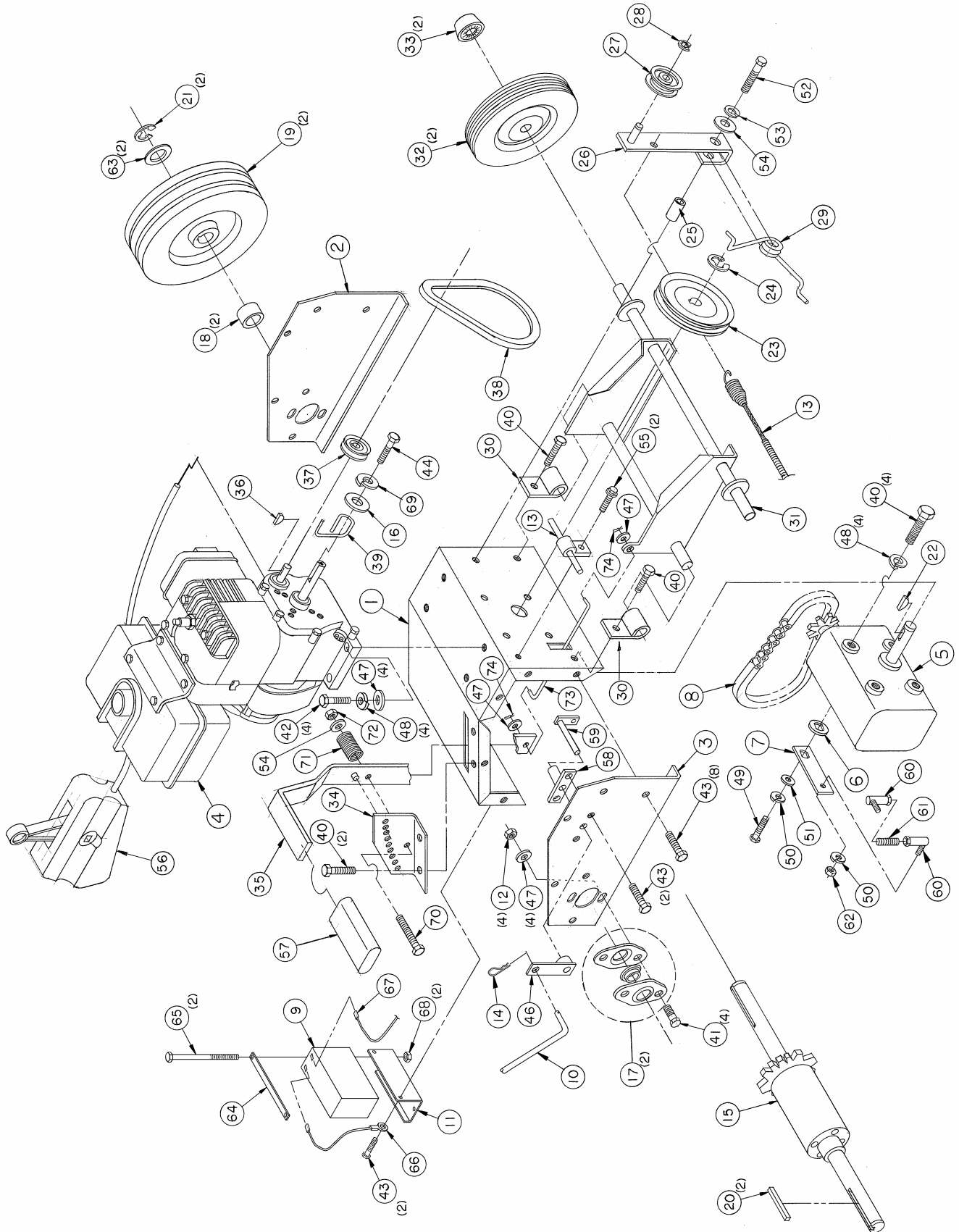


Parts List – DRIVE TRAIN ASSEMBLY

NOTE: Part numbers listed are available through DR Power Equipment.

Ref#	Part#	Description	Ref#	Part#	Description
01	284271	Base Weldment, Engine	38	289081	V-Belt, 3H330
02	284281	Side Weldment, Left	39	284491	Guide, Belt
03	284291	Side Weldment, Right	40	167791	Bolt, HHCS, 5/16-18 x 3/4", GR 5, Pltd.
04	284301	Engine, B&S, MS	41	146051	Bolt, HHCS, 5/16-18 x 1", GR 5, Pltd.
	285801	Engine, B&S, ES	42	143121	Bolt, HHCS, 5/16-18 x 1-1/4", GR 5, Pltd.
	285811	Engine, B&S, MS, CA	43	289091	Screw, Self-Tapping, 5/16-18 x 3/4"
	285821	Engine, B&S, ES, CA	44	284501	Bolt, HHCS, 5/16-24 x 3/4", GR 5, Pltd
05	284311	Transmission	45	143131	Nut, Nylon Lock, 5/16-18, Pltd.
06	284321	Washer, Shift Lever	46	289101	Shift Arm Weldment, Long
07	284331	Arm, Transmission	47	145151	Washer, Flat, 5/16", USS, Pltd.
08	158491	Chain, #40, .5 Pitch x 24" LG	48	155111	Washer, Lock, Med Split, 5/16", Pltd.
09	285831	Battery (Electric Start Only)	49	284511	Bolt, HHCS, 1/4-28 x 3/4", GR 5, Pltd.
10	285911	Rod, Shift	50	178001	Washer, Lock, Med. Split, 1/4", Pltd.
11	285841	Bracket, Battery (Electric Start Only)	51	154801	Washer, Flat, 1/4", USS, Pltd.
12	143131	Nut, Nylon Lock, 5/16-18	52	217121	Bolt, HHCS, 3/8-16 x 1 3/4", GR 5, Pltd.
13	149631	Cable Assembly, Clutch	53	216511	Washer, Lock, Med. Split, 3/8", Pltd.
14	145861	Cotter Pin, Hair Spring	54	145161	Washer, Flat, 3/8", Pltd.
15	284341	Differential Assembly	55	155121	#10-24 x 1/2" LG Hex Washer Head
16	289071	Washer, Flat, 1/2", USS	56	215921	Control, Throttle
17	284361	Bearing, 2 Hole Flange, 3/4"	57	284521	Grip, Height Adjuster
18	284371	Spacer, Wheel	58	203211	Mount, Shift
19	154971	Wheel, Pneumatic, 4.10/3.50-4	59	203221	Arm, Inner Shift
20	284381	Key, Shaft, 3/16" x 3/16" x 1-1/2"	60	284531	Arm, Linkage
21	205251	E-Ring, 3/4" Dia., Pltd	61	284541	Rod End, 1/4-28
22	284391	Key, Woodruff, 3/16" x 3/4", #606	62	284551	Nut, Hex, 1/4-28
23	163931	Pulley, Transmission	63	284561	Shim, Rear Axle
24	284401	E-Ring, 5/8" Dia., Pltd	64	285851	Hold Down, Bracket (Electric Start Only)
25	203761	Tube, Spacer	65	285861	Bolt, 5/16-18 x 5"
26	284411	Arm Weldment, Idler	66	285871	Cable, Battery, Negative (Electric Start Only)
27	284421	Pulley, Idler			
28	184771	E-Ring, 3/8" Dia., Pltd	67	285881	Cable, Battery, Positive (Electric Start Only)
29	284211	Spring, Torsion			
30	149391	Mount, Pivot	68	285901	Nut, Nylon Lock, 5/16-18
31	284431	Frame, Wheel	69	284201	Washer, Lock, 1/2"
32	284441	Wheel, 8" x 1.75"	70	289111	Bolt, HHCS, 3/8-16 x 2-1/4"
33	154881	Cap, Push Nut	71	289121	Spring
34	284451	Plate, Height Adjuster	72	154481	Nut, Nylon Lock, 3/8-16
35	284461	Lever, Height Adjuster	73	289131	Linkage, Height Adjustable
36	284471	Key, Woodruff, 1/8" x 5/8", #405	74	289141	Cotter Pin, Hair Spring
37	284481	Pulley, Engine, with set screw	--	284571	Cover, Bottom

Schematic – DRIVE TRAIN ASSEMBLY



Parts List and Schematic – OPTIONAL VACUUM KIT #284221

NOTE: Part numbers listed are available through DR Power Equipment.

Ref#	Part#	Description	Ref#	Part#	Description
01	284711	Adapter, Vacuum	08	145451	Handle
02	144401	Clamp, Hose, 6-1/8"	09	144251	Grip, Handle
03	140821	Hose, 6" Dia. X 8' Long	10	145191	Tether, Wire
04	145201	Cable Tie, 32"	11	143061	Guide, Cable
05	145461	Screw, Machine, Rd Hd, 1/4-20 x 3/4"	12	285621	Contact, Interlock
06	145271	Snout, Pick-up	13	284581	Rivet, 3/16"
07	143401	Nut, Nylon Lock, 1/4-20			

