

DR[®] TRIMMER/MOWER™



DR TRM826SN PARTS LIST



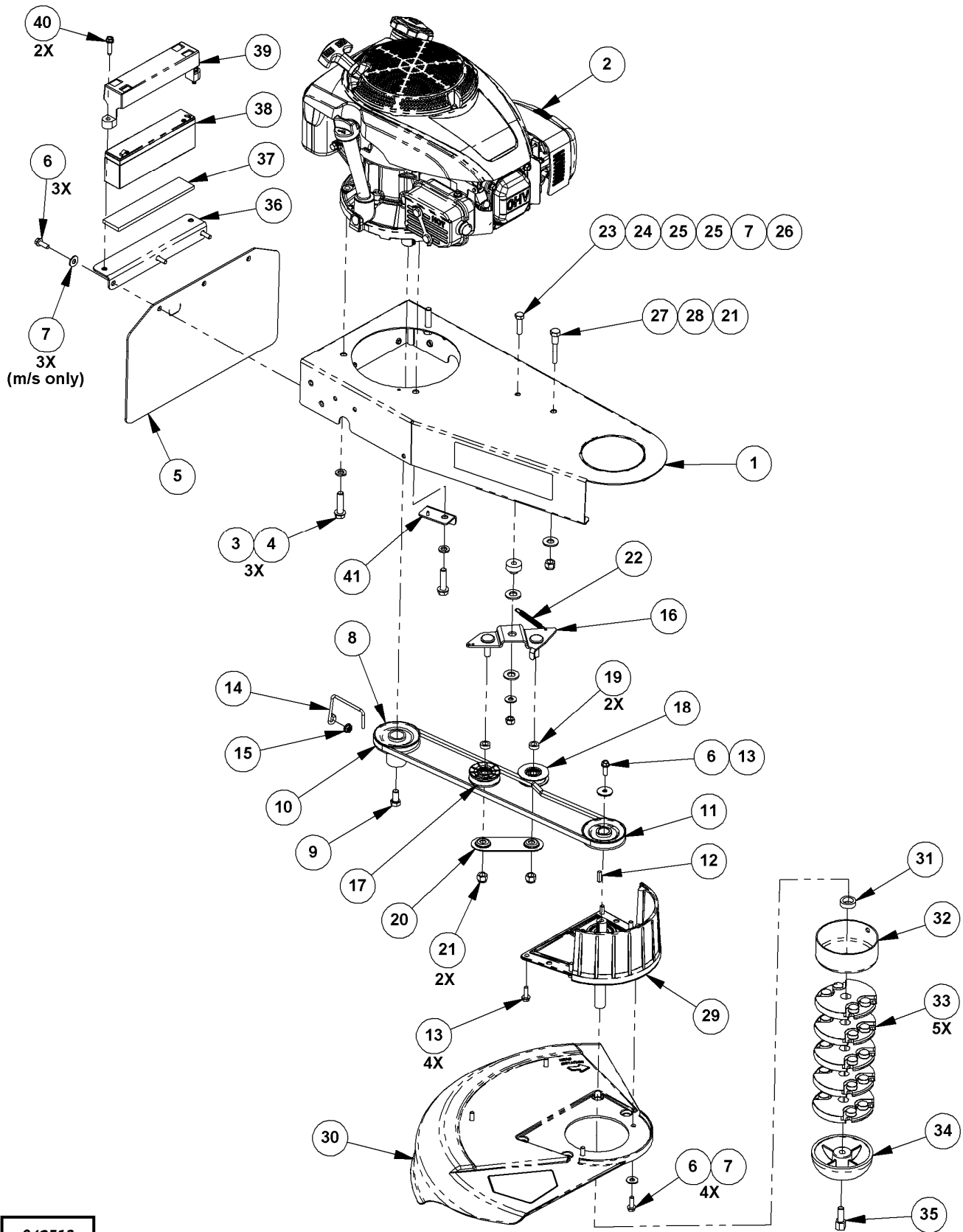
Chapter 6: Parts Lists and Schematic Diagrams

Parts List – Main Frame Assembly

Note: Part numbers listed are available through DR Power Equipment.

Ref#	Part#	Description	Ref#	Part#	Description
1	311301	Frame W/ Labels, TR4	25	143751	Washer, .505" ID X 1" OD
2	311321	Engine W/ Label, Kohler, 6.50, M/S, 50st	26	110761	Nut, Nylon Lock, 5/16-18, ZP
	311331	Engine W/ Label, Kohler, 6.50, M/S, 49st	27	276601	Pin, Belt Guide
	311341	Engine W/ Label, Kohler, 6.50, E/S, 50st	28	112391	Washer, Flat, 3/8" USS
	311351	Engine W/ Label, Kohler, 6.50, E/S, 49st	29	310961	Spindle, TR4
	295361	Engine W/ Label, B&S, 6.75, M/S, 50st	30	311311	Guard W/ Labels, TR4
	295371	Engine W/ Label, B&S, 6.75, E/S, 50st	31	310991	Spacer, .680" X .984" X .310", ZP
	321771	Engine W/ Label, Subaru, 7.52, M/S, 50st	32	310981	Can, Anti-Wrap
	321781	Engine W/ Label, Subaru, 7.52, E/S, 50st	33	310971	Plate, Line Spacer, D Bore
	321791	Engine W/ Label, Subaru, 8.26, E/S, 50st	34	311011	Mow Ball, Hex Recess
3	145221	Screw, 3/8-16 X 1.5"	35	313011	Bolt, HCS, 3/8-16 X 1", GR5, ZP, High HD
4	180811	Washer, Lock, 3/8", Split	36	312961	Bracket, Battery (E/S Only)
5	311051	Guard, Debris	37	143861	Pad, Battery, 1.38" X 7.0" (E/S Only)
6	311171	Screw, HWH, 1/4-20 X .75", ZP	38	247491	Battery, 2.3Ah, 12V (E/S Only)
7	112381	Washer, Flat, 1/4" USS	39	143851	Clamp, Battery (E/S Only)
8	310871	Pulley, Drive, 3l V-Belt, 7/8" Shaft	40	180131	Bolt, Tri, 1/4-20 X 1" (E/S Only)
	321571	Pulley, Drive, Double, 7/8 Shaft (SP Only)	41	321601	Bracket, Cable, Self Propel (SP Only)
9	111551	Bolt, HCS, 3/8-24 X 3/4", ZP	Not shown on Illustration:		
10	310881	Belt, V, 3L, Gates 6744	311021		Cord Pack, 25", 12 Piece
11	310941	Pulley, Drive, 3L V-Belt, .67" Shaft	192021		Label, DR Logo, 4" Round
12	119141	Key, Square, 3/16" X 3/4"	136491		Label, Danger
13	126971	Washer, Fender, 1/4" X 1", ZP	137581		Label, Check Oil
14	312821	Guide, Belt	148231		Label, Safety Icons
	323401	Guide, Belt, Self Propel (SP Only)	311281		Manual, Engine, Kohler XT
15	312831	Nut, Lock, 1/4-20, Serrated Flange	223541		Manual, Engine, B&S Quantum
16	310891	Bracket, Idler	312951		Manual, Engine, Subaru EA175/190
17	310921	Pulley, Idler, 3L V-Belt, 2.0" OD			
18	310931	Pulley, Idler, Flat, 1.99" OD			
19	310911	Spacer, .385" X .62" X .219", ZP			
20	312811	Strap, Belt Retainer			
21	110751	Nut, Nylon Lock, 3/8-16, ZP			
22	310901	Spring, E, .30" OD, .035" Wire, 3.0" L			
23	123361	Bolt, HCS, 5/16-18 X 1-1/4", GR5, ZP			
24	143601	Standoff, Clutch Arm			

Schematic – Main Frame Assembly



042513

Parts List – Handlebar and Axle Assembly (Non Self Propelled)

Note: Part numbers listed are available through DR Power Equipment.

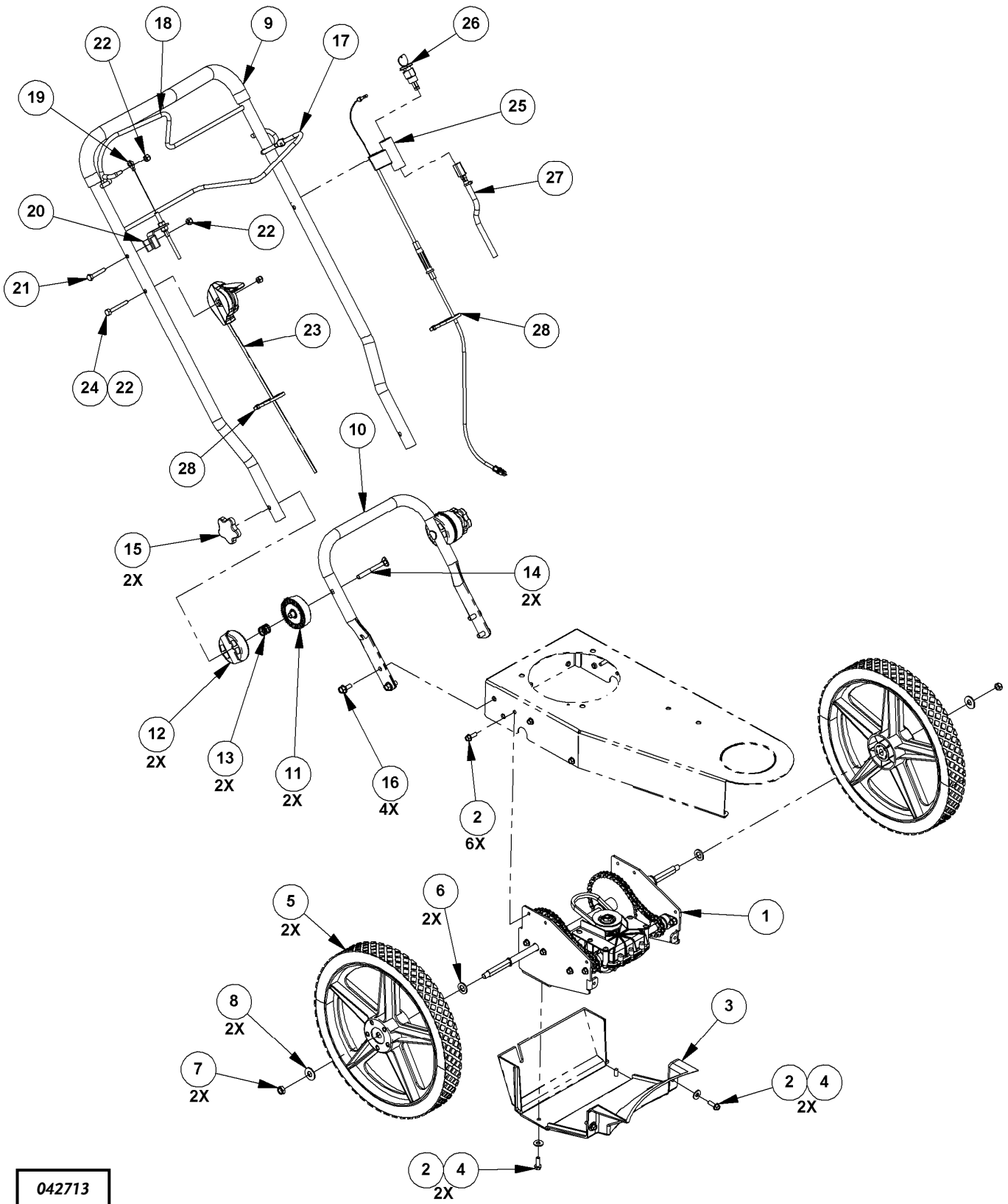
<u>Ref#</u>	<u>Part#</u>	<u>Description</u>	<u>Ref#</u>	<u>Part#</u>	<u>Description</u>
1	311071	Axle, Welded	14	311141	Cable, PTO, Snap-On
2	311171	Screw, HWH, 1/4-20 X .75", Taptite		312971	Cable, PTO, Snap-On, Switch Mount (E/S Only)
3	311081	Wheel, 14", 5 Spoke (Premier and Premier Plus Only)	15	113081	Switch, W/ Key & Hardware, 2 Pos (E/S Only)
	312901	Wheel, 16", 5 Spoke	16	312991	Wire Harness, TR4, B&S/Kohler (E/S Only)
4	152331	Nut, Nylon Lock, 7/16-20, LP		313001	Wire Harness, TR4, Subaru (E/S Only)
5	311111	Handlebar, Upper (Premier Only)	17	143971	Cable, Throttle (Premier Plus Only)
	312871	Handlebar W/Grip, Upper, Ergonomic		312891	Cable, Throttle, Run Detent
6	311101	Handlebar, Lower	18	114561	Bolt, HCS, 1/4-20 X 2", GR2, ZP (Premier Plus Only)
7	311131	Bail Bar, Straight (Premier Only)		313061	Bolt, HCS, 1/4-20 X 2-1/4", GR5, ZP
	312881	Bail Bar, Ergonomic	19	112381	Washer, Flat, 1/4" USS (Premier Plus Only)
8	191351	Adjuster, Handlebar, Inside	20	110731	Nut, Nylon Lock, 1/4-20, ZP
9	143731	Adjuster, Handlebar, Outside	21	112141	Cable Tie, 7-1/2" L
10	143931	Spring, C, .720" OD, .063" Wire, .63", ZP			
11	144641	Bolt, C-Head, 5/16-18 X 3"			
12	311161	Screw, HWH, 5/16-18 X .75", Taptite			
13	311121	Knob, 2.25" Dia, 5/16-18 Insert			

Parts List – Handlebar and Axle Assembly (Self Propelled Model)

Note: Part numbers listed are available through DR Power Equipment.

<u>Ref#</u>	<u>Part#</u>	<u>Description</u>	<u>Ref#</u>	<u>Part#</u>	<u>Description</u>
1	323391	Drivetrain	15	311121	Knob, 2.25" Dia, 5/16-18 Insert
2	311171	Screw, HWH, 1/4-20 X .75", Taptite	16	311161	Screw, HWH, 5/16-18 X .75", Taptite
3	323371	Cover, Bottom, Self Propel	17	321691	Bail Bar, Ergonomic, LH Half
4	112381	Washer, Flat, 1/4", USS	18	325211	Bail Bar W/ Label, Self Propel
5	311081	Wheel, 14", 5 Spoke, D Bore	19	321611	Cable, Self Propel
6	323381	Washer, Flat, .510" X .875" X .1", ZP	20	143681	Bracket, Cable
7	164131	Nut, Nylon Lock, 3/8-16, LP	21	101451	Bolt, HCSs, 1/4-20 X 1-1/2", GR2, ZP
8	112391	Washer, Flat, 3/8" USS	22	110731	Nut, Nylon Lock, 1/4-20, ZP
9	312871	Handlebar W/Grip, Upper, Ergonomic	23	312891	Cable, Throttle, Run Detent
10	311101	Handlebar, Lower	24	313061	Bolt, HCS, 1/4-20 X 2-1/4", GR5, ZP
11	191351	Adjuster, Handlebar, Inside	25	312971	Cable, PTO, Snap-On, Switch Mount
12	143731	Adjuster, Handlebar, Outside	26	113081	Switch, W/ Key & Hardware, 2 Pos
13	143931	Spring, C, .720" Od, .063" Wire, .63", ZP	27	313001	Wire Harness, TR4, Subaru
14	144641	Bolt, C-Head, 5/16-18 X 3"	28	112141	Cable Tie, 7-1/2" L

Schematic – Handlebar and Axle Assembly (Self Propelled Model)



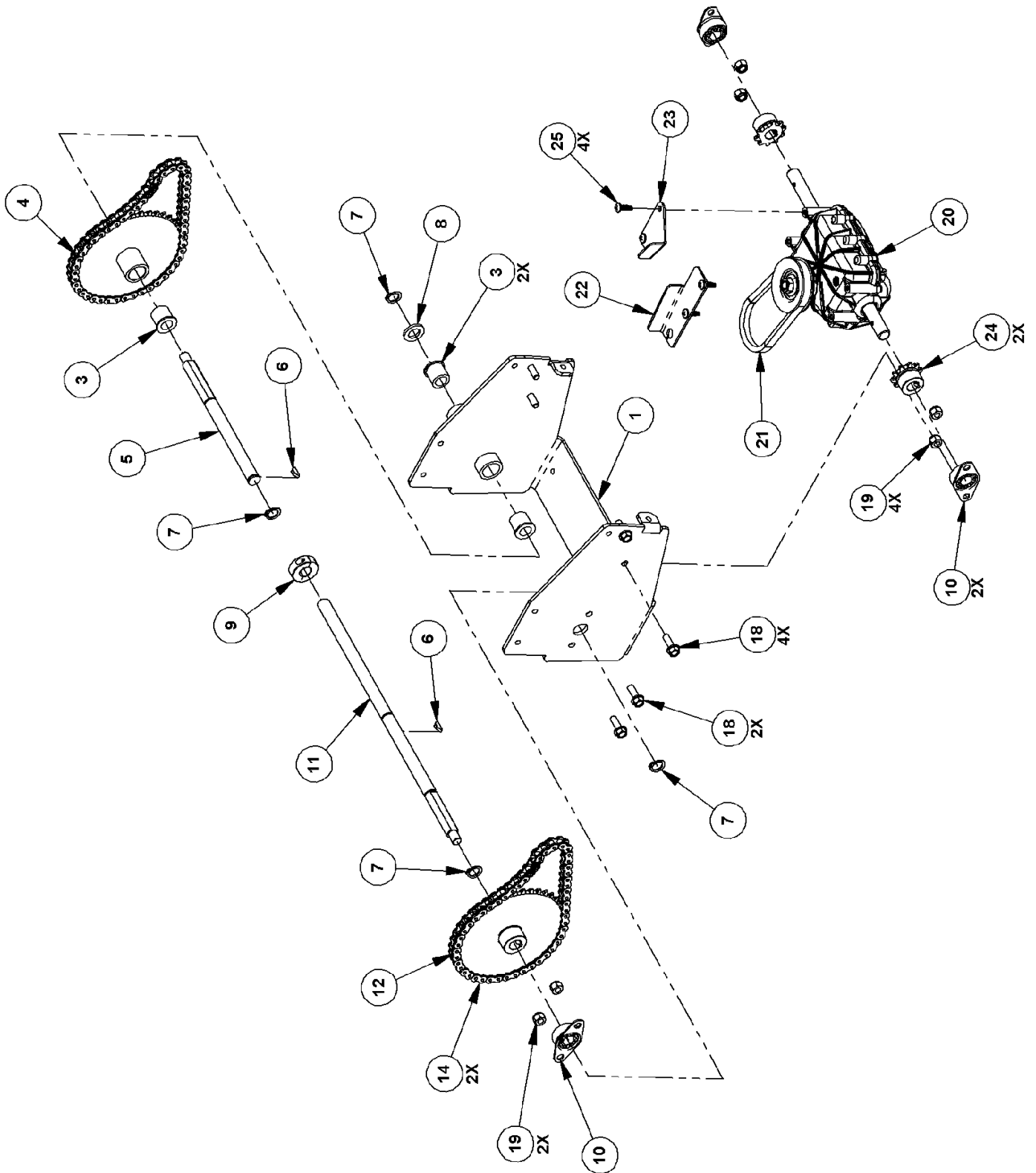
042713

Parts List – Drive train Assembly (Self Propelled Model)

Note: Part numbers listed are available through DR Power Equipment.

<u>Ref#</u>	<u>Part#</u>	<u>Description</u>	<u>Ref#</u>	<u>Part#</u>	<u>Description</u>
1	321621	Support, Drive, Self Propel	11	323411	Collar, Shaft, 1/2", Clamp-On
2	321671	Bearing Sleeve, 1/2" X 3/4" X 3/4"	12	321681	Chain, #35, 51 Link & Master
3	321641	Axle, LH, Self Propel	13	311171	Screw, HWH, 1/4-20 X 3/4", Taptite
4	189751	Retaining Ring, .468" I.D.	14	110731	Nut, Nylon Lock, 1/4-20, ZP
5	213181	Key, Woodruff, 1/8" X 1/2"	15	313131	Transmission, 10.5:1
6	321661	Sprocket, #35, 40 Tooth, 2 Hub	16	311001	Belt, V, 31 X 13, Wrapped
7	323381	Washer, Flat, .510" X .875" X .10", ZP	17	321591	Bracket, Transmission, Cable
8	321631	Axle, RH, Self Propel	18	321581	Bracket, Transmission
9	321651	Sprocket, #35, 40 Tooth, 1/2" Bore	19	323421	Screw, 10-14 X 5/8", Plastite, 48-2
10	179551	Bearing W/Flange	20	193811	Sprocket, No.35, 10 Tooth

Schematic – Drive train Assembly (Self Propelled Model)



042613