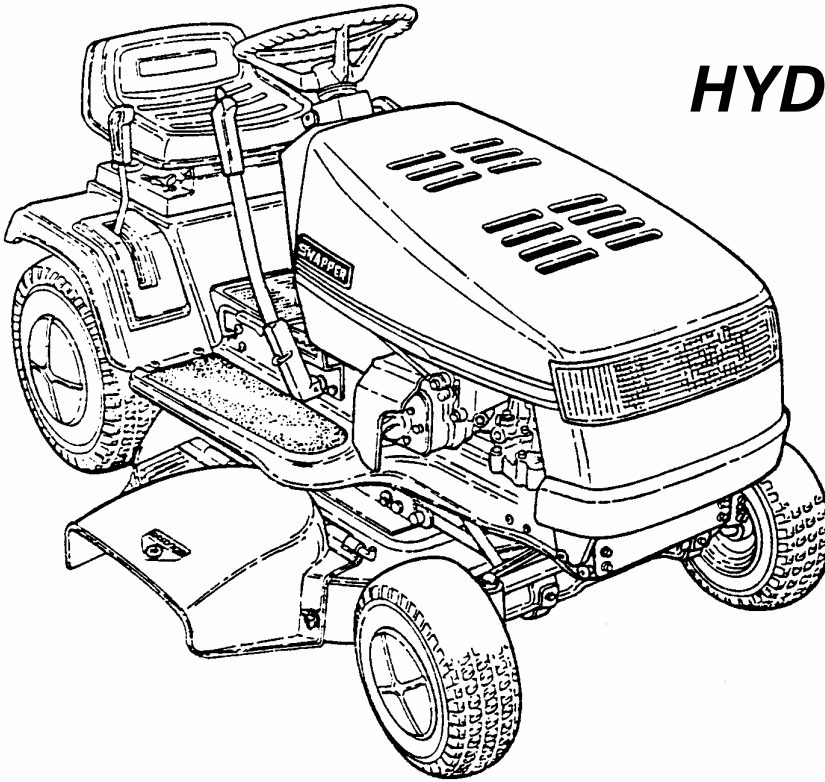


Safety Instructions & Operator's Manual for  
**SNAPPER**<sup>®</sup>

**LAWN TRACTOR  
 HYDROSTATIC DRIVE  
 SERIES G**



<b>MODELS</b>
<b>HYDROSTATIC DRIVE</b>
LT145H33GBV
LT145H38GBV
LT150H38GKV

MODEL NUMBER EXPLANATION						
LT	145	H	38	G	B	V
MODEL DESIGNATION	ENGINE HP	DRIVE SYSTEM TYPE	CUTTING WIDTH		ENGINE TYPE	ENGINE MODEL
					SERIES DESIGNATION	
LT – Lawn Tractor Model Designation	145 - 14.5 HP, 150 – 15.0 HP Engine Horse Power	H – Hydrostatic Transmission	33 – 33” Cutting Width Mower	38 – 38” Cutting Width Mower	G – Series Designation	B – Briggs & Stratton, K - Kohler Engine
					V – Over Head Valve Type Engine	

Thank you for buying a SNAPPER product! Before operating the Lawn Tractor, read and follow the “IMPORTANT SAFETY INSTRUCTIONS” on pages 2 & 3, all other instructions contained in this manual and the accompanying booklet “About Power Mower Safety”. Lawn mowers and all power equipment can be potentially dangerous if used improperly. REMEMBER: SAFETY REQUIRES CAREFULL USE IN ACCORDANCE WITH INSTRUCTIONS AND COMMON SENSE!

**SNAPPER**<sup>®</sup> McDonough, GA., 30253 U.S.A.

COPYRIGHT © 2000  
 SNAPPER INC.  
 ALL RIGHTS RESERVED

MANUAL No. 7-3619 (I.R. 4/15/00)



# IMPORTANT SAFETY INSTRUCTIONS



**WARNING:** This powerful cutting machine is capable of amputating hands and feet and can throw objects that can cause injury and damage! Failure to comply with the following SAFETY instructions could result in serious injury or death to the operator or other persons. The owner of the machine must understand these instructions and must allow only persons who understand these instructions to operate machine. Each person operating the machine must be of sound mind and body and must not be under the influence of any substance, which might impair vision, dexterity or judgment. If you have any questions pertaining to your machine which your dealer cannot answer to your satisfaction, call or write the Customer Service Department at SNAPPER, McDonough, Georgia 30253. Phone: (1-800-935-2967).

## PROTECTION FOR CHILDREN

Tragic accidents can occur if the operator is not alert to the presence of children. Children are often attracted to the machine and the mowing activity. Never assume that children will remain where you last saw them.

1. KEEP children out of the mowing area and under the watchful care of a responsible adult.
2. DO NOT allow children in yard when machine is operated (even with the blade OFF).
3. DO NOT allow children or others to ride on machine or on attachments (even with the blades OFF). They may fall and be seriously injured.
4. DO NOT allow pre-teenage children to operate machine.
5. ALLOW only responsible adults & teenagers with mature judgment under close adult supervision to operate machine.
6. DO NOT operate blades in reverse. STOP BLADES. LOOK and SEE behind and down for children, pets and hazards before and while backing.
7. USE EXTRA CARE when approaching blind corners, shrubs, trees, or other objects that may obscure vision.

## PROTECTION AGAINST TIPOVERS

Slopes are a major factor related to loss-of-control and tip-over accidents, which can result in severe injury or death. All slopes require extra CAUTION. If you cannot back up the slope or if you feel uneasy on the slope, DO NOT mow it. Use extra care with grass catchers or other attachments; these affect the handling and the stability of the machine.

1. DO NOT operate machine on slopes exceeding 15 degrees (27% grade).
2. Exercise EXTREME CAUTION on slopes above 10 degrees (18% grade). Turn blades OFF when traveling uphill. Use a slow speed and avoid sudden or sharp turns.
3. DO NOT operate machine back and forth across face of slopes. Operate up and down. Practice on slopes with blades off.
4. AVOID uphill starts. If machine stops going uphill or tires lose traction, turn blades OFF and back slowly down the slope.

## PROTECTION AGAINST TIPOVERS

(Continued From Previous Column)

5. STAY ALERT for holes and other hidden hazards. Tall grass can hide obstacles. Keep away from ditches, washouts, culverts, fences and protruding objects.
6. KEEP A SAFE DISTANCE (at least 3 feet) away from edge of ditches and other drop offs. The machine could turn over if an edge caves in.
7. Always begin forward motion slowly and with caution.
8. Use weights or a weighted load carrier in accordance with instructions supplied with a grass catcher. DO NOT operate machine on slopes exceeding 10 degrees (18% grade) when equipped with grass catcher.
9. DO NOT put your foot on the ground to try to stabilize the machine.
10. DO NOT operate machine on wet grass. Reduced traction could cause sliding.
11. DO NOT operate machine under any condition where traction, steering or stability is doubtful.

## PREPARATION

1. Read, understand, and follow instructions and warnings in this manual and on the machine, engine and attachments. Know the controls and the proper use of the machine before starting.
2. Only mature, responsible persons shall operate the machine and only after proper instruction.
3. Data indicates that operators age 60 and above, are involved in a large percentage of mower-related injuries. These operators should evaluate their ability to operate the mower safely enough to protect themselves and others from serious injury.
4. Handle fuel with extra care. Fuels are flammable and vapors are explosive. Use only an approved fuel container. DO NOT remove fuel cap or add fuel with engine running. Add fuel outdoors only with engine stopped and cool. Clean spilled fuel from machine. DO NOT smoke.
5. Practice operation of machine with BLADES OFF to learn controls and develop skills.
6. Check the area to be mowed and remove all objects such as toys, wire, rocks, limbs and other objects that could cause injury if thrown by blade or interfere with mowing.



# IMPORTANT SAFETY INSTRUCTIONS



## PREPARATION

(Continued From Previous Page)

7. Keep people and pets out of mowing area. Immediately STOP blades, STOP engine, and STOP machine if anyone enters the area.
8. Check shields, deflectors, switches, blade controls and other safety devices frequently for proper operation and location.
9. Make sure all safety decals are clearly legible. Replace if damaged.
10. Protect yourself when mowing and wear safety glasses, long pants and substantial footwear.
11. Know how to STOP blades and engine quickly in preparation for emergencies.
12. Use extra care when loading or unloading the machine into a trailer or truck.
13. Check grass catcher components frequently for signs of wear or deterioration and replace as needed to prevent injury from thrown objects going through weak or worn spots.

## OPERATION

1. Mount and dismount machine from left side.
2. Start engine from operator's seat, if possible. Make sure blades are OFF and parking brake is set.
3. DO NOT leave machine with engine running. STOP engine, STOP blades, SET brake, and Remove key before leaving operators position of any reason.
4. DO NOT operate machine unless properly seated with feet on feet rests or pedal(s).
5. STOP BLADES and ENGINE and make sure blades have stopped before removing grass catcher or unclogging mower to prevent loss of fingers or hand.
6. Blades must be OFF except when cutting grass. Set blades in highest position when mowing over rough ground.
7. Keep hands and feet away from rotating blades underneath deck. DO NOT place foot on ground while BLADES are ON or machine is in motion.
8. DO NOT operate machine without entire grass catcher or guards in place. DO NOT point discharge at people, passing cars, windows or doors.
9. Slow down before turning.
10. Watch out for traffic when near or crossing roadways.
11. STOP engine immediately after striking an obstruction. Inspect machine and repair damage before resuming operation.
12. Operate machine only in daylight or with good artificial light.
13. Move joystick (if equipped) SLOWLY to maintain control during speed and directional changes.

## OPERATION

(Continued From Previous Column)

14. Exercise CAUTION when pulling loads. Limit loads to those you can safely control and attach loads to hitch plate as specified with SNAPPER attachment instructions.
15. DO NOT operate engine in enclosed areas. Engine exhaust gases contain carbon monoxide, a deadly poison.

## MAINTENANCE

1. DO NOT store machine or fuel container inside where fumes may reach an open flame, spark or pilot light such as in a water heater, furnace, clothes dryer or other gas appliance. Allow engine to cool before storing machine in an enclosure. Store fuel container out of the reach of children in a well ventilated, unoccupied building.
2. Keep engine free of grass, leaves or excess grease to reduce fire hazard and engine overheating.
3. When draining fuel tank, drain fuel into an approved container outdoors and away from open flame.
4. Check brakes frequently; adjust, repair or replace as needed.
5. Keep all bolts, nuts and screws properly tight. Check that all cotter pins are in proper position.
6. Always provide adequate ventilation when running engine. Exhaust gases contain carbon monoxide, an odorless and deadly poison.
7. Disconnect negative (black) cable from battery before performing maintenance or service. Cranking engine could cause injury.
8. DO NOT work under machine without safety blocks.
9. Service engine and make adjustments only when engine is stopped. Remove spark plug wire(s) from spark plug(s) and secure wire(s) away from spark plug(s).
10. DO NOT change engine governor speed settings or overspeed engine.
11. Lubricate machine at intervals specified in manual to prevent controls from binding.
12. Mower blades are sharp and can cut. Wrap the blades or wear heavy leather gloves and use CAUTION when handling them.
13. DO NOT test for spark by grounding spark plug next to spark plug hole; spark plug could ignite gas exiting engine.
14. Have machine serviced by an authorized SNAPPER dealer at least once a year and have the dealer install any new safety devices.
15. Use only genuine SNAPPER replacement parts to assure that original standards are maintained.

# TABLE OF CONTENTS

IMPORTANT SAFETY INSTRUCTIONS.....	2 - 3	SECTION 4 -	
TABLE OF CONTENTS .....	4	ADJUSTMENTS & REPAIR.....	17-32
SECTION 1 - FAMILIARIZATION .....	5	Engine Adjustments & Repair .....	17
Components .....	5	Mower Deck & Component Adjustments .....	17
Controls .....	5	Blade Brake Adjustment .....	17
SECTION 2 -		33" Deck Blade Brake Adjustment .....	17
OPERATING INSTRUCTIONS .....	6-11	38" Deck Blade Brake Adjustment .....	17
Pre-start Checklist .....	6	Blade Belt Adjustment (33" Deck) .....	18
Operator's Seat Adjustment .....	6	Blade Belt Adjustment (38" deck).....	18
Starting & Stopping Engine .....	7	Adjusting Mower Blade (33" Deck).....	18-19
Starting & Stopping Wheel Drive .....	8	33" Side To Side .....	18-19
Starting & Stopping Mower Blades.....	8-9	(Deck Level Adjustment)	
Parking Brake.....	9	33" Front To Rear Sector Plates .....	20
Cutting Height Adjustment .....	9	(Deck Level Adjustment)	
Rolling Tractor With Engine Off .....	10	33" Front To Rear Front Lift Rod .....	20
Reverse Lockout Mechanism .....	11	(Deck Level Adjustment)	
SECTION 3 -		38" Side To Side .....	21
MAINTENANCE INSTRUCTIONS .....	12-16	(Deck Level Adjustment)	
Service - After First 5 Hours .....	12	38" Front To Rear .....	22
Change Engine Oil.....	12	(Deck Level Adjustment)	
Check Blade Brake .....	12	Brake Adjustment - HYDRO DRIVE.....	22
Check Mower Blade.....	12-13	Steering Adjustment .....	23
Check Deck Drive Belt .....	13	Shifter Adjustment .....	23
Service – Every 25 Operating Hours .....	13	Traction Drive Belt Adjustment.....	24
Mower Components .....	13	Mower Blade Service .....	25-26
Check Blade Brake .....	13	Blade Wear Limits .....	25
Lubrication (Tractor).....	14-15	Mower Blade Sharpening .....	25
Front Wheel Bearings .....	14	Mower Blade Replacement.....	25-26
Axle Spindles .....	14	Traction Drive Belt Removal/Replace.....	26-28
Clutch/Brake Pivot.....	14	Blade Belt Removal & Replacement.....	29
Steering Sector Gear.....	14	33" Deck Drive Belt .....	29
Steering Shaft .....	14	38" Deck Drive Belt .....	29
Steering Drag Link.....	14	Battery Service .....	30-31
Steering Tie Rod .....	15	AVAILABLE ACCESSORIES .....	32
Blade Engagement Mechanism.....	15	SECTION 5 -	
Park Brake Lever .....	15	ELECTRICAL SYSTEM .....	33
Deck Lift Mechanism.....	15	Schematic - Briggs & Stratton.....	33
Service - Annually.....	15-16	Schematic - Kohler .....	33
Engine .....	15	TROUBLESHOOTING GUIDE .....	34-35
Fuel Filter.....	15-16	MAINTENANCE SCHEDULE .....	36
Spark Plug .....	16	MAINTENANCE PARTS .....	36
Hydrostatic Transmission Oil.....	16	WARRANTY .....	37
		PRIMARY MAINTENANCE.....	38-41

# Section 1 - FAMILIARIZATION

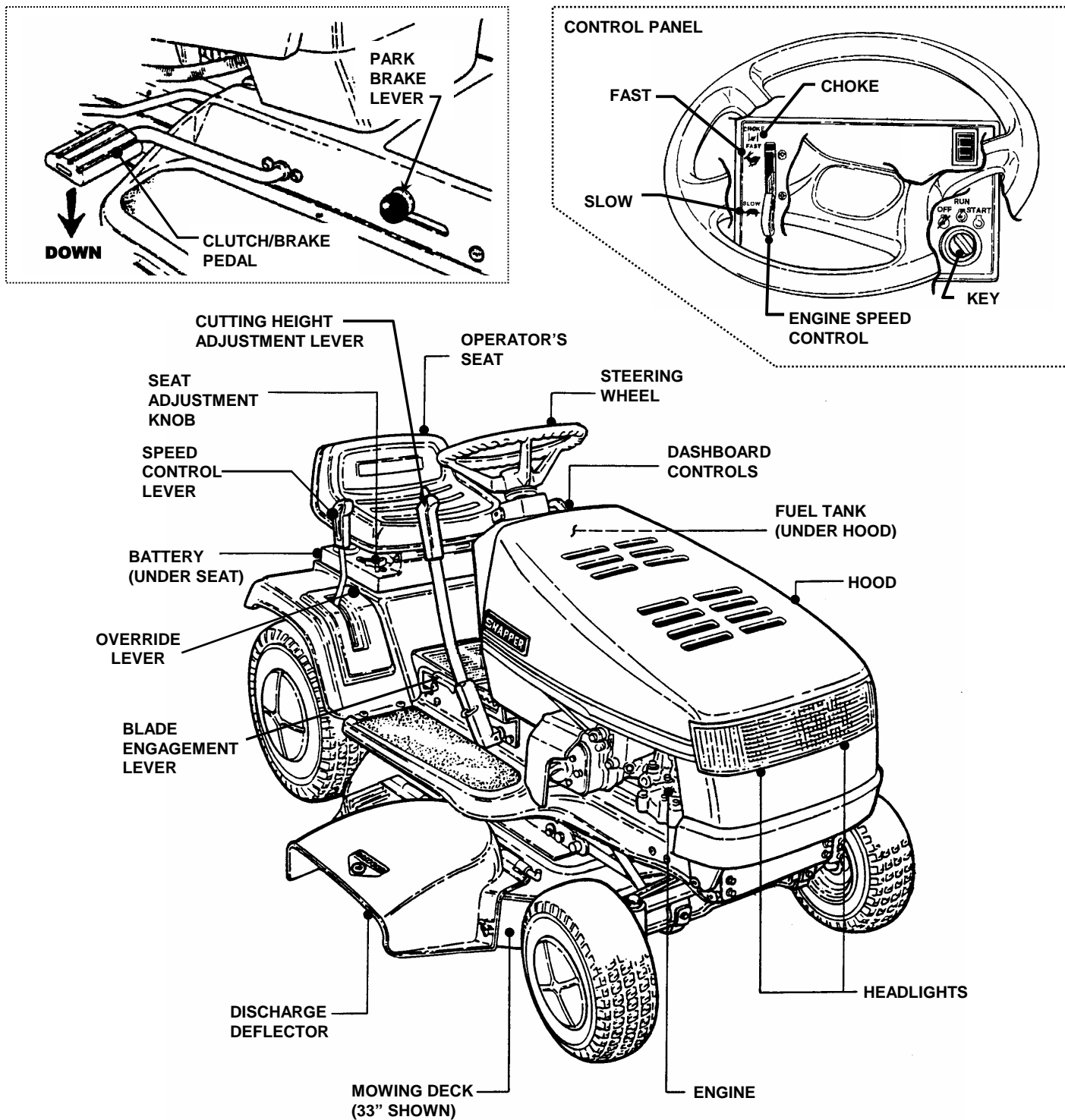


FIGURE 1.1

## COMPONENTS

The nomenclature drawings above, illustrate the essential components of the SNAPPER Lawn Tractor. It is recommended that all operators of this equipment become thoroughly familiar with the components and their operation BEFORE OPERATING.

Specific details involving the engine are found in the separate Engine Owner's Manual.

Study the Important Safety Instructions, this Operator's Manual and Engine Owner's Manual before operating this machine. Keep these manuals available for future reference.

## CONTROLS

All operators should be acquainted with the operator's controls before attempting start-up or operation of the Lawn Tractor. See the Control Panel drawing above.

# Section 2 - OPERATING INSTRUCTIONS

## 2.1 PRE-START CHECKLIST

Make the following checks and perform service as required before each start-up.

**2.1.1.** Check tires and add air as needed to bring pressure to 12 P.S.I. in front tires and 12 P.S.I. in rear tires.

**2.1.2.** Check guards, deflectors and covers to make sure all are in place and securely tightened. If guards are missing or damaged, replace BEFORE using mower.

**2.1.3.** Check engine oil and add oil as needed to bring level up to, but not over, the FULL mark. Refer to engine owner's manual for oil specifications. See Figure 2.1.

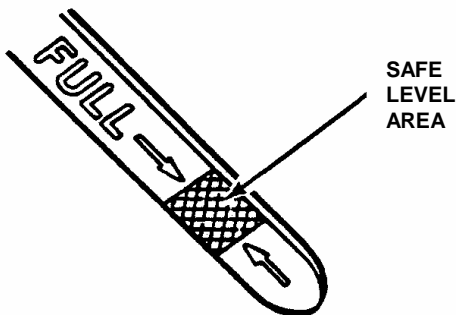


FIGURE 2.1

**2.1.4.** Check blade engagement lever to insure it operates properly. The blade engagement lever must be moved manually from "ON" to "OFF" to stop blade.

**2.1.5.** Clean exterior surfaces of cutting deck, engine and tractor of any accumulation of dirt, grass, oil, etc. Keep engine air intake screens and cooling fins clean at all times.

**2.1.6.** With engine "OFF" move the tractor outside and add fuel to the fuel tank. Securely tighten fuel cap after refueling. Refer to engine owner's manual for fuel specifications. See Figure 2.2.

**2.1.7.** Check Reverse Lockout Mechanism. With engine "OFF", raise blade engagement lever to "ON". The speed control lever cannot be shifted into "Reverse".

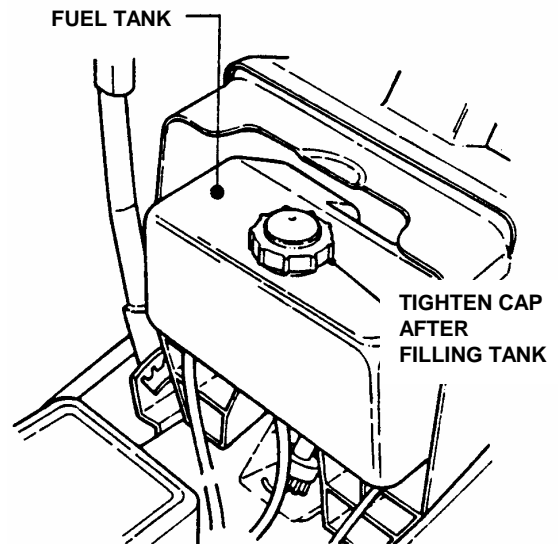


FIGURE 2.2

## 2.2 OPERATOR'S SEAT ADJUSTMENT

### 2.2.1. FRONT TO REAR ADJUSTMENT

1. With the engine "OFF", raise operator's seat and loosen the two adjusting knobs on the seat support. Lower the seat. Sit in the operator's seat and slide the seat forward or backward until the clutch/brake pedal can be fully depressed comfortably. Raise seat and tighten the adjusting knobs to secure seat in position. See Figure 2.3.

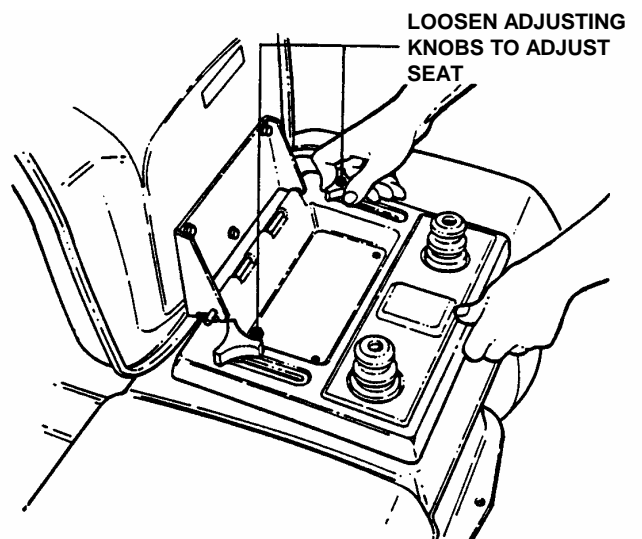


FIGURE 2.3

# Section 2 - OPERATING INSTRUCTIONS

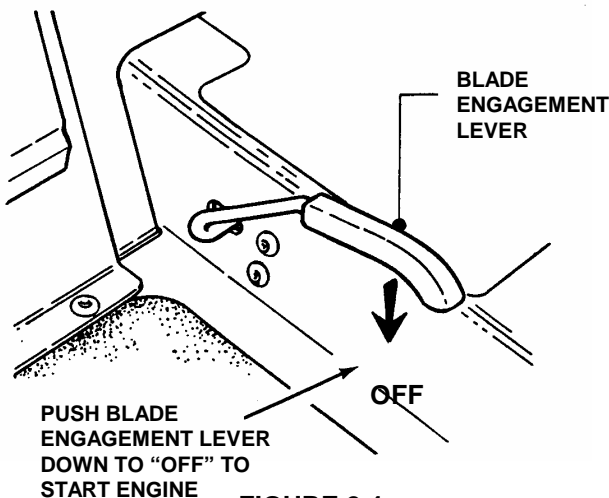
## 2.3 STARTING & OPERATION

### 2.3.1. STARTING ENGINE

1. Take a comfortable position in seat of machine, look around to make sure that the area you are going to mow is clear of people, children and pets. Take note of any stationary obstacles!

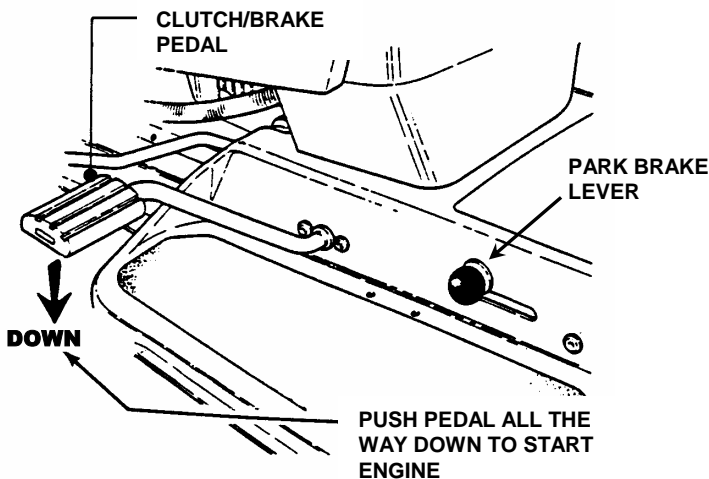
**NOTE:** The interlock system will prevent the engine from starting if the blade engagement lever is in the "ON" (up) position or if the clutch/brake pedal is not fully depressed. If the interlock system ever fails to work, DO NOT OPERATE the tractor until the interlock has been repaired.

2. Push blade engagement lever down to the "OFF" position. See Figure 2.4.



3. Depress the clutch/brake pedal fully. See Figure 2.5.  
4. Move speed control lever to neutral.

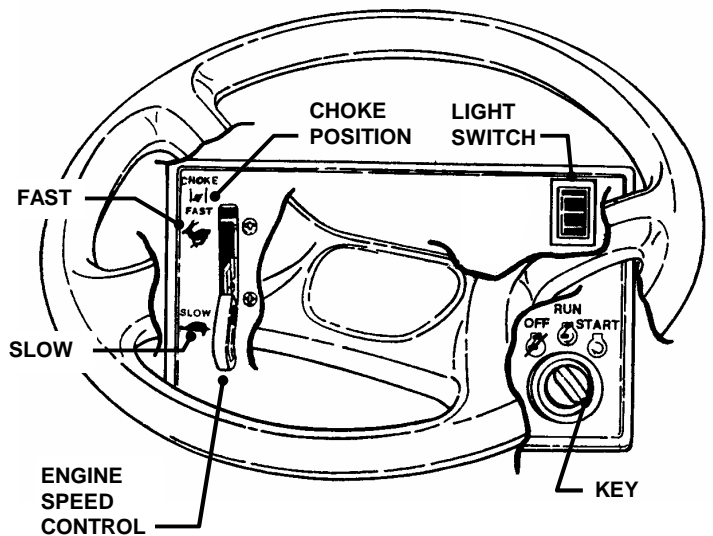
**NOTE:** The seat interlock will shut off the engine if the operator gets off the seat without setting the parking brake or if the blade is running. If the interlock ever fails to work, DO NOT OPERATE the tractor until the interlock has been repaired.



5. Choke engine for cold starting by moving engine speed control to "CHOKE" position. Little or no choking will be needed when restarting a warm engine. Insert key in switch. Turn key to "START" position to crank engine and hold until engine starts, then release key to "RUN" position. See Figure 2.6.

**NOTE:** DO NOT crank engine for more than five seconds at a time. This will help prevent the starter from overheating and/or running down the battery. If cranking time is more than five seconds, locate and correct cause of starting problem.

6. After engine starts, release key, move the engine speed control to "FAST" position and allow engine to warm up before proceeding. See Figure 2.6.



**WARNING**  
DO NOT leave machine with engine running. Stop engine. Stop blade. Set parking brake. Remove key.

## Section 2 - OPERATING INSTRUCTIONS

### 2.3 STARTING & OPERATION (continued)

#### 2.3.2. STARTING WHEEL DRIVE

1. Shift speed control lever to neutral.
2. Start engine. Refer to Section "STARTING ENGINE".
3. Release clutch/brake pedal.
4. Slowly shift speed control lever forward for forward motion or to the rear for reverse motion. See Figure 2.7.

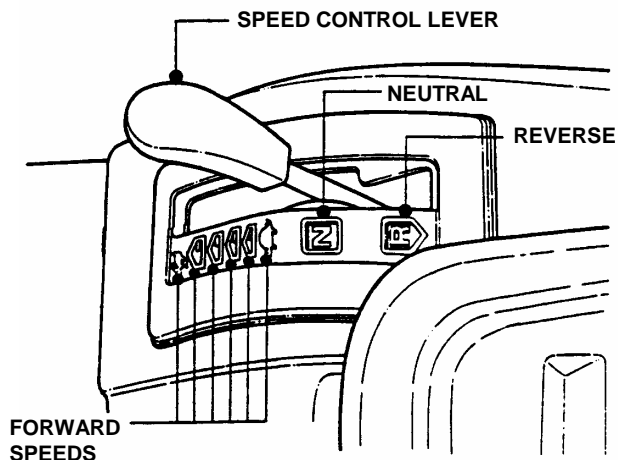


FIGURE 2.7

#### 2.3.3. STARTING MOWER BLADE

1. Start engine. Refer to Section "STARTING ENGINE".
2. Raise blade engagement lever to "ON". See Figure 2.8.

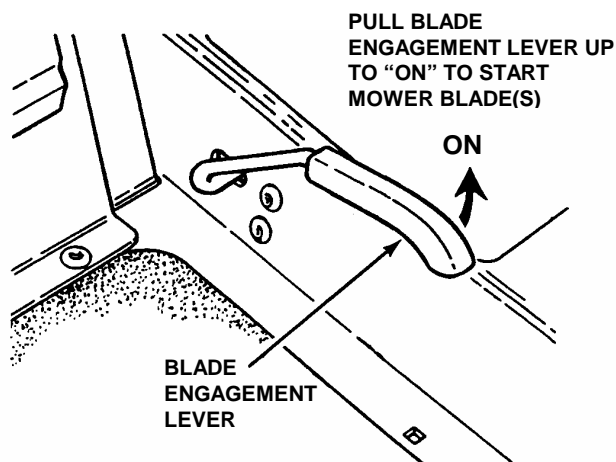


FIGURE 2.8

### 2.4 STOPPING ENGINE, BLADE, & WHEEL DRIVE

#### 2.4.1. STOPPING ENGINE

1. Stop engine by turning key to the "OFF" position. See Figure 2.9.

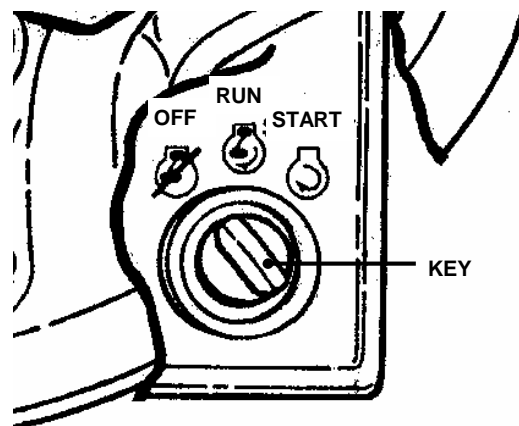


FIGURE 2.9

#### 2.4.2. STOPPING WHEEL DRIVE

1. Fully depress clutch/brake pedal to stop wheel drive. See Figure 2.10.

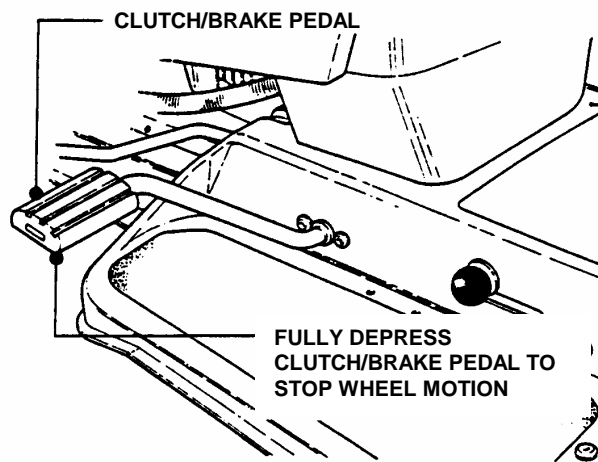


FIGURE 2.10

**WARNING**

DO NOT operate blades in reverse. STOP BLADES. LOOK and SEE behind and down for children, pets and hazards before and while backing.



# Section 2 - OPERATING INSTRUCTIONS

## 2.4 STOPPING

### 2.4.3. STOPPING MOWER BLADE

1. Stop mower blade by moving blade engagement lever down to the "OFF" position. See Figure 2.11.

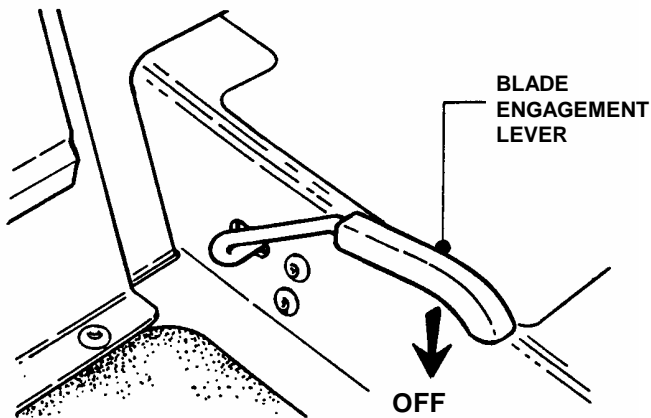


FIGURE 2.11

**WARNING**

Once blade is disengaged, it should come to a complete stop in 5 seconds or less. If the blade continues to rotate after 5 seconds, the blade brake must be adjusted. Refer to Section "BLADE BRAKE ADJUSTMENT" for adjustment procedures or return machine to dealer for adjustment. **DO NOT CONTINUE to operate mower until blade brake is properly adjusted.**

### 2.4.4. SETTING PARK BRAKE

1. Fully depress clutch/brake pedal.  
2. Move park brake lever up into slot. See Figure 2.12.

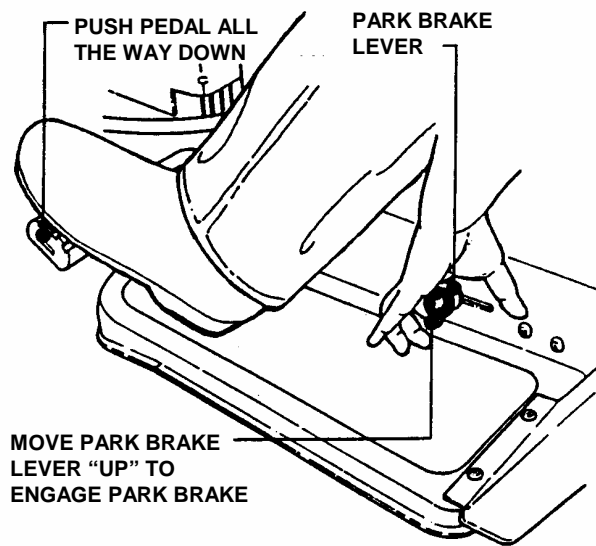


FIGURE 2.12

### 2.4.5. RELEASING PARK BRAKE

1. Fully depress clutch/brake pedal. Move park brake lever "DOWN" to release park brake. Release clutch/brake pedal. See Figure 2.13.

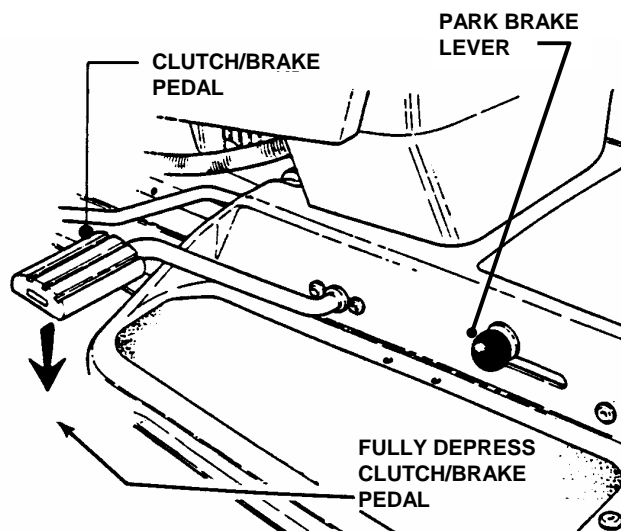


FIGURE 2.13

## 2.5. CUTTING HEIGHT ADJUSTMENT

1. Depress lock button on cutting height adjustment lever. See Figure 2.14.

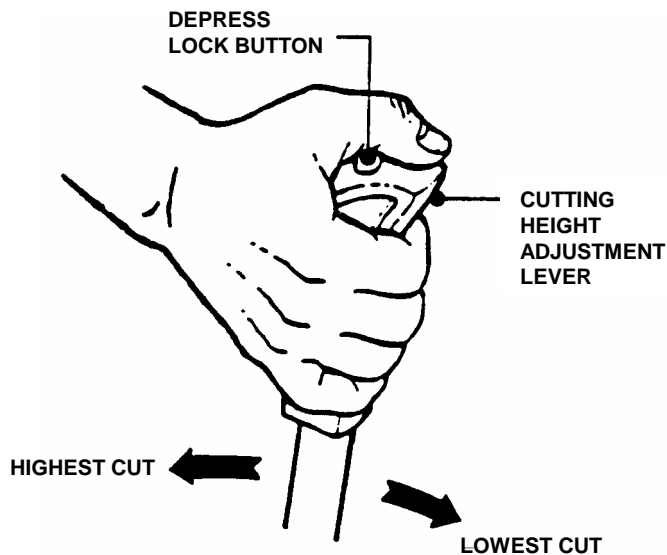


FIGURE 2.14

2. Raise or lower deck to any of six positions as desired. Release lock button.

**WARNING**

**DO NOT park machine on slopes.**

## Section 2 - OPERATING INSTRUCTIONS

### 2.6. ROLLING TRACTOR WITH ENGINE OFF

#### 2.6.1. Rolling Hydro Models

1. With engine "OFF", move to rear of tractor.
2. Pull the roll release control all the way out to disengage the hydro transmission. See Figure 2.15.

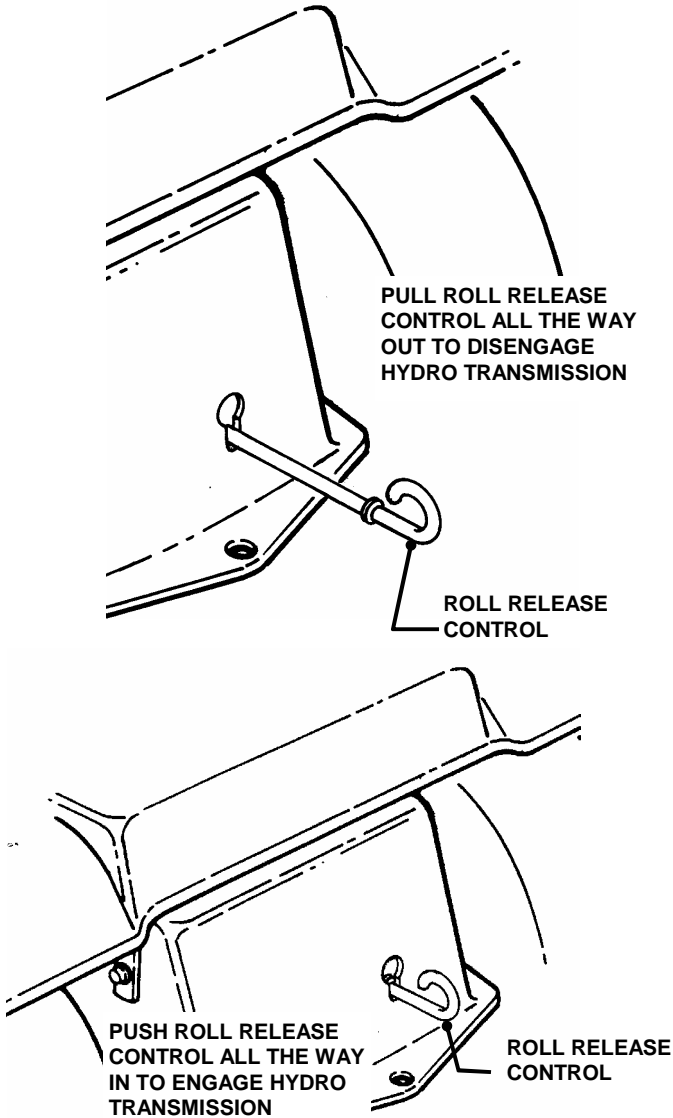




FIGURE 2.15

3. Move tractor to desired location.
4. Push roll release control all the way in to engage hydro transmission. See Figure 2.15.
5. Set park brake.

**NOTE:** The transmission will not propel the tractor if it is left in the "ROLL" position.

	<b>WARNING</b>	
<p>DO NOT disengage the hydro transmission and coast down slopes. DO NOT use Roll Release Control to disengage the hydro transmission unless machine motion can be controlled and engine is off.</p>		

## Section 2 - OPERATING INSTRUCTIONS

### 2.7. REVERSE LOCKOUT MECHANISM

Data indicates that tragic back-over accidents occur each year. These accidents usually involve unsupervised children. Many times these children have been given rides on the machine and have been trained to view this potentially dangerous piece of machinery as fun rather than being taught how to avoid danger.

This riding mower has a Reverse Lockout Mechanism. This mechanism prevents the mower from being shifted into reverse with the blades running. To shift into reverse you must first stop the blades and then shift to reverse. It is our recommendation that this mechanism remain functional and the operator of this equipment develop the habit of never backing up with the blades running. As the Safety Instructions Indicate, **DO NOT operate blades in reverse. STOP BLADES, LOOK AND SEE BEHIND AND DOWN for children, pets and hazards before and while backing.**

We realize that this could cause a change to your previous mowing method but we encourage you to adjust to this new system. Do not defeat the Reverse Lockout Mechanism.

If you operate your mower near roadways or use attachments that require quicker shifting to reverse, there is an override lever provided. This lever can be pushed and held before starting the blades and will allow reverse operation until the blade engagement lever is moved to the "OFF" position, at which time the system will return to its Reverse Lockout mode. This feature should never be selected unless you are absolutely sure that no children or others are present in the mowing area and that all children are away and supervised by a responsible adult.

#### 2.7.1. Reverse Lockout Mechanism Override

1. Stop machine. Stop blades.
2. Depress and hold Override Lever.
3. Raise blade engagement lever to "ON".
4. Release override lever.



**IMPORTANT!** DO NOT use the Reverse Lockout Mechanism Override as the normal operating mode. To return to the Reverse Lockout Mechanism mode, move the blade engagement lever down to the "OFF" position. The Override will reset to Reverse Lockout.

#### 2.7.2. Check the Reverse Lockout Mechanism

Before each use, check the Reverse Lockout Mechanism for proper function. Perform the following check with the engine "OFF".

1. With engine "OFF", raise blade engagement lever to "ON".
2. The Reverse Lockout Mechanism must prevent the speed control lever from going into reverse.



## Section 3 - MAINTENANCE

### 3.1 INTRODUCTION

To retain the quality of the Tractor, use genuine SNAPPER replacement parts only. Contact a local SNAPPER dealer for parts and service assistance. For the correct part or information for a particular Tractor, always mention the model and serial number. SNAPPER recommends returning the Tractor to an authorized SNAPPER dealer annually for inspection and addition of any new devices, which might upgrade the safety of the Tractor. For the nearest SNAPPER dealer in your area, check the yellow pages under the heading LAWN MOWERS. For engine parts and service, look for the engine manufacturer's dealers under the heading, ENGINES - gasoline.

### 3.2 SERVICE - AFTER FIRST 5 HOURS

**WARNING**

DO NOT attempt any adjustments, maintenance or service with the engine or blades running. STOP blades. STOP engine. Set park brake. Remove key. Remove spark plug wire from spark plug and secure wire away from spark plug. Engine and components can be extremely hot. Avoid burns by allowing engine and components sufficient time to cool.

#### 3.2.1. CHANGE ENGINE OIL

The engine is equipped with a Fastex™ oil drain.

1. Rotate drain body counterclockwise and pull out to open drain. See Figure 3.1.
2. Drain oil into a 2 quart container placed beneath end of oil drain.
3. After all oil has drained, push drain body "IN" and rotate clockwise to close.
4. Fill engine with new motor oil as specified in engine owner's manual.

**WARNING**

The following procedure requires the engine and blades to be operated. Exercise extreme caution. Clear area of loose parts & tools first. Only operate blades when seated in the operator's seat.

#### 3.2.2. CHECK BLADE BRAKE

1. Check blade brake for proper function. Blades should stop rotating in 5 seconds or less after moving the blade engagement lever down to the OFF position.
2. If blades continue to rotate longer than 5 seconds do not operate machine. Refer to Section "BLADE BRAKE ADJUSTMENT" or contact your SNAPPER dealer for assistance.

#### 3.2.3. CHECK MOWER BLADE

1. Remove deck from tractor.
2. Carefully position deck to access blade.
3. Check blade for sharpness, wear and damage. Refer to Section "BLADE WEAR LIMITS".

4. Check blade for straightness. Refer to Section "ADJUSTING MOWER BLADE".
5. Check torque of blade mounting bolts. Torque to:  
33" deck – 30 to 40 ft. lbs. See Figure 3.2.  
38" deck – 70 to 80 ft. lbs. See Figure 3.3.

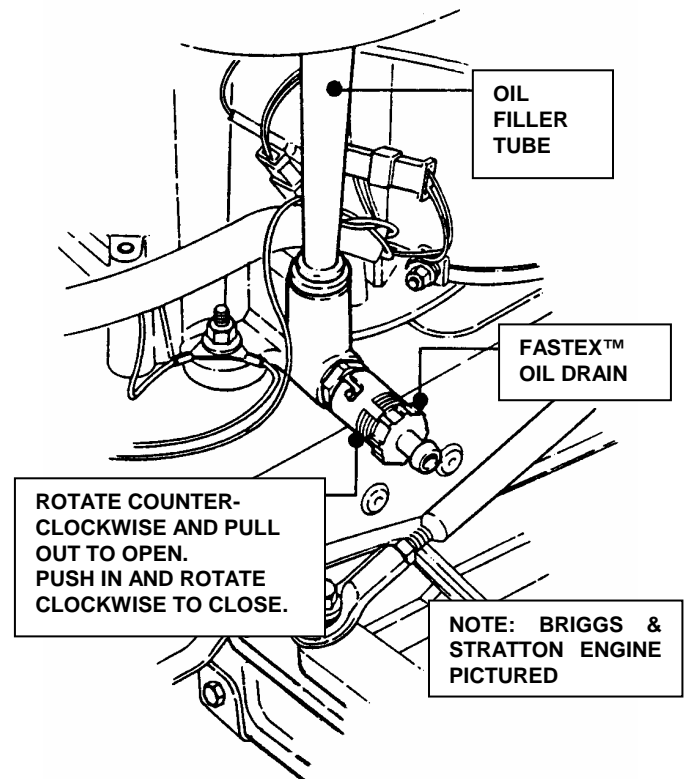


FIGURE 3.1

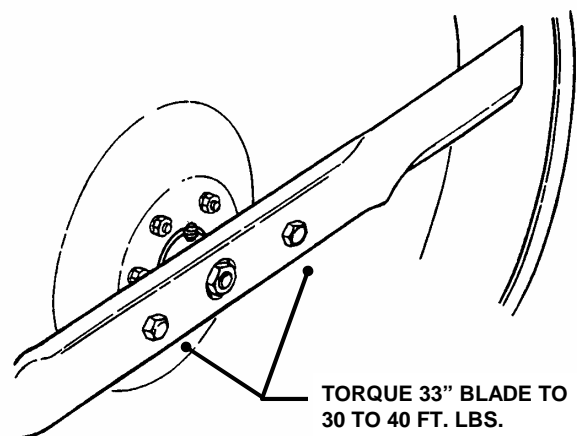


FIGURE 3.2

**WARNING**

Blades must stop rotating in 5 seconds or less after blades have been turned off. DO NOT operate machine until blade brake has been adjusted and functioning properly. Contact your SNAPPER dealer for assistance.

## Section 3 - MAINTENANCE

### 3.2.3. CHECK MOWER BLADE (Continued)

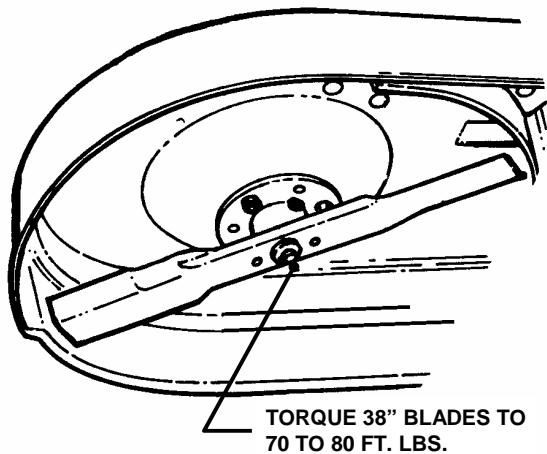


FIGURE 3.3

### 3.2.4. CHECK 33" DECK DRIVE BELT

1. With engine "OFF", move blade engagement lever to "ON".
2. Measure blade cable extension spring. Spring should extend 1" +/- 1/8" for proper belt tension. See Figure 3.4.

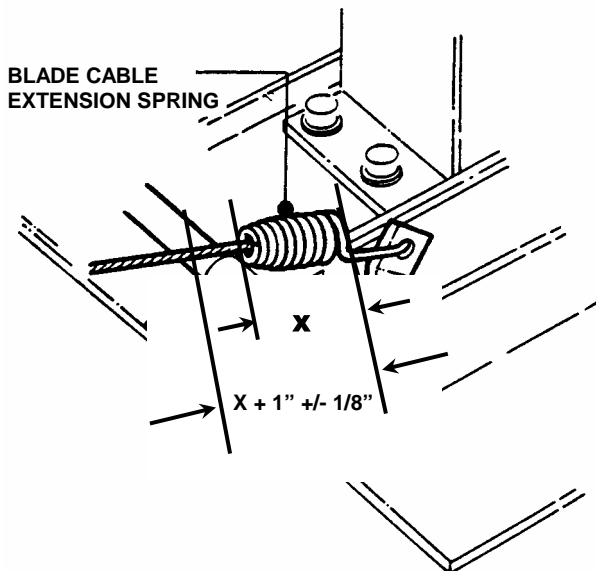


FIGURE 3.4

3. To adjust tension, Refer to Section "BLADE BELT ADJUSTMENT".

### 3.2.5. CHECK 38" DECK DRIVE BELT

1. On 38" model, check belt for excessive wear or damage and replace if necessary, there are no adjustments on this model.

### 3.3 SERVICE - EVERY 25 OPERATING HOURS

#### 3.3.1. CHECK ENGINE

1. Change engine oil. Refer to Section "CHANGE ENGINE OIL". Refer to engine owner's manual for oil specification.
2. Remove and clean engine air pre-cleaner. See Figure 3.5. Refer to engine owner's manual for cleaning instructions.

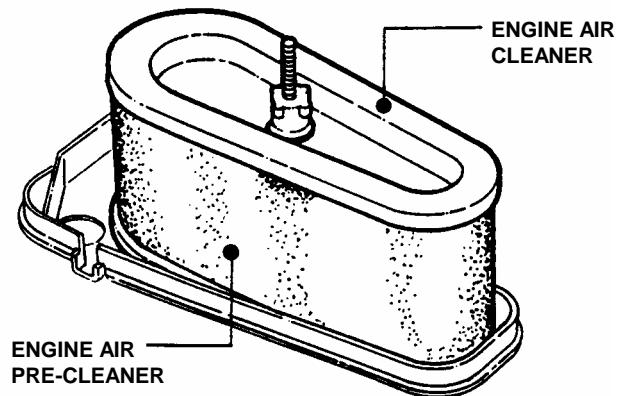


FIGURE 3.5

3. Remove and replace engine air cleaner. See Figure 3.5. Refer to engine owner's manual for service instructions.

#### 3.3.2. MOWER COMPONENTS

1. Check deck drive belt for proper tension. Refer to Section "CHECK DECK DRIVE BELT".
2. Check blades for sharpness, wear, damage and torque. Refer to Section "MOWER BLADE REPLACEMENT".
3. Check mower deck for proper levelness. Refer to Section "MOWER DECK ADJUSTMENT - LEVELNESS".
4. Clean mower deck.
  - a. Remove key from ignition switch.
  - b. Remove deck.
  - c. Clean underside of mower deck, removing all accumulation of grass clippings and debris.
  - d. Clean top of deck, removing all grass clippings and debris.
5. 33" and 38" blade spindle lubrication.
  - a. Lubricate spindle with 1 to 3 shots of general purpose grease from grease gun.
6. Lubricate all mower deck linkage pivot points with a light coat of motor oil.

#### 3.3.3. CHECK BLADE BRAKE

1. Refer to Section "CHECK BLADE BRAKE".

## Section 3 - MAINTENANCE

### 3.3.4. TRACTOR LUBRICATION

#### 1. Front Wheel Bearings

Lubricate each front wheel bearing through the grease fitting on wheel hub. Using general purpose grease in a grease gun, add grease until grease purges from bearing. See Figure 3.6.

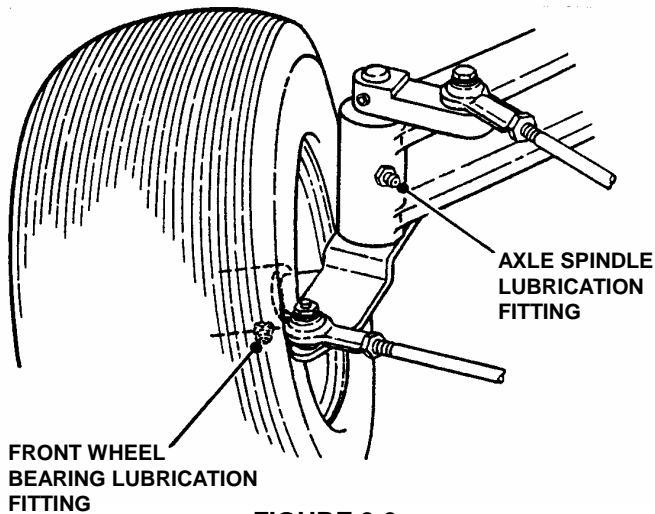


FIGURE 3.6

#### 2. Axle Spindles

Lubricate each axle spindle with 1 to 3 shots of general purpose grease. See Figure 3.6.

**NOTE:** The right hand spindle fitting faces forward and the left hand spindle fitting faces to the rear.

#### 3. Clutch/Brake Pivot

The clutch/brake pivot is located on the left hand underside of the tractor and is lubricated with one shot of general purpose grease. See Figure 3.7.

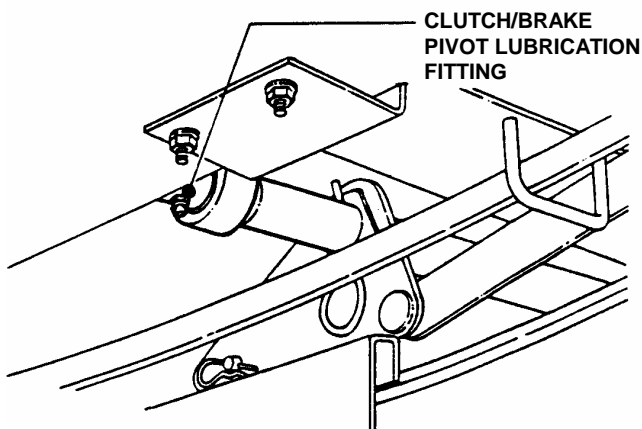


FIGURE 3.7

#### 4. Steering Sector Gear

Lubricate with a light coat of general purpose grease. See Figure 3.8.

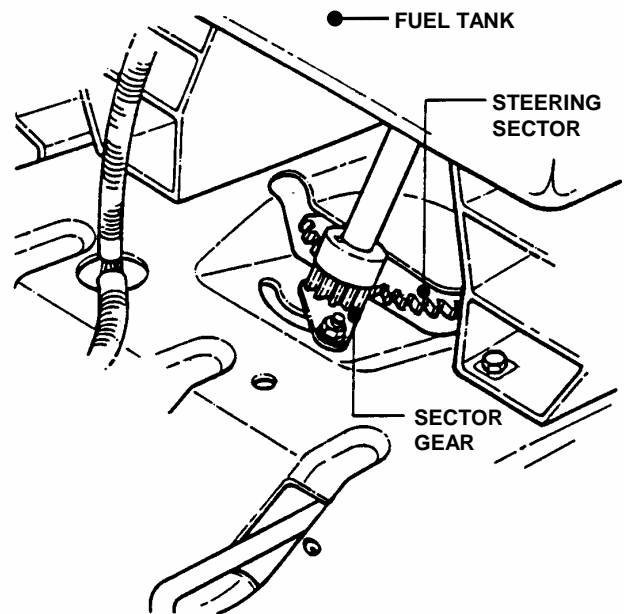


FIGURE 3.8

#### 5. Steering Shaft

Lubricate steering shaft wear points with a light coat of SAE30 oil.

#### 6. Steering Drag Link

Lubricate both ends of steering drag link with a small amount of SAE30 oil. See Figure 3.9.

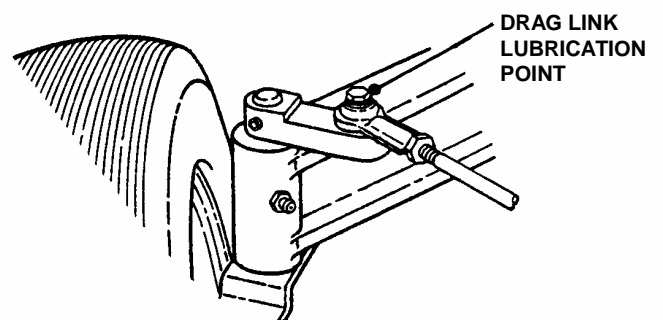


FIGURE 3.9

## Section 3 - MAINTENANCE

### 3.3.4. TRACTOR LUBRICATION

(Continued From Previous Page)

#### 7. Steering Tie Rod

Lubricate both ends of steering tie rod with a small amount of SAE30 oil. See Figure 3.10.

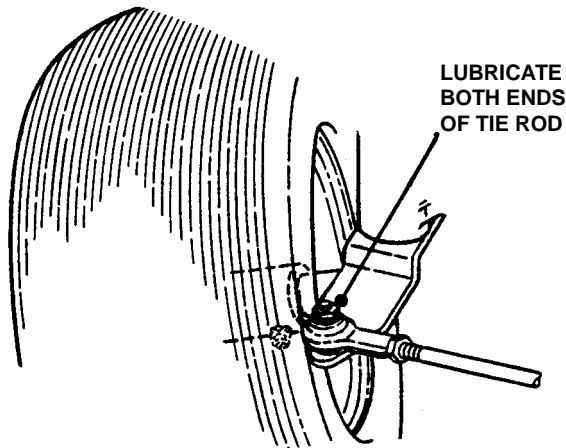


FIGURE 3.10

#### 8. Blade Engagement Mechanism

Using SAE30 oil, lubricate the blade engagement mechanism pivot points, which are located on the R.H. underside of tractor. See Figure 3.11.

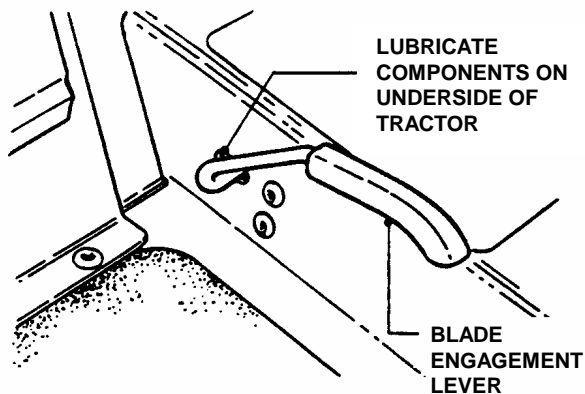


FIGURE 3.11

#### 9. Park Brake Lever

Using general purpose grease, lubricate the park brake lever mechanism pivot points, which are located on the left hand underside of tractor. See Figure 3.12. mechanism with a thin coat of 30 wt. motor oil.

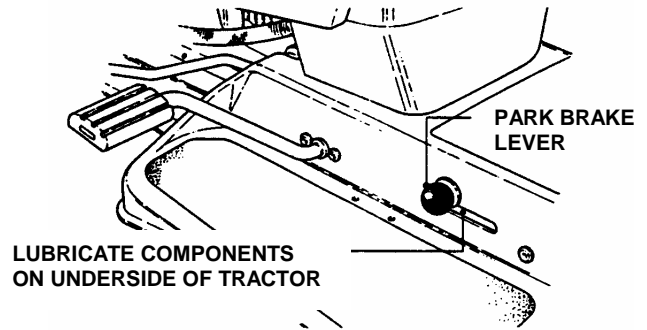


FIGURE 3.12

#### 10. Deck Lift Mechanism

Lubricate all wear and pivot points of the deck lift

### 3.4 SERVICE - ANNUALLY

Perform all maintenance as described in Section "SERVICE - EVERY 25 OPERATING HOURS". Also see service schedule.

#### 3.4.1. ENGINE

1. Service engine according to engine owner's manual.

#### 3.4.2. FUEL FILTER

1. Service fuel filter as instructed below, on COLD ENGINE ONLY!

**NOTE:** It may be necessary to drain the fuel tank before removing fuel filter to prevent spillage of gasoline.

2. Locate fuel filter. Remove hose clamps and fuel hoses from both sides of fuel filter. See Figure 3.13.

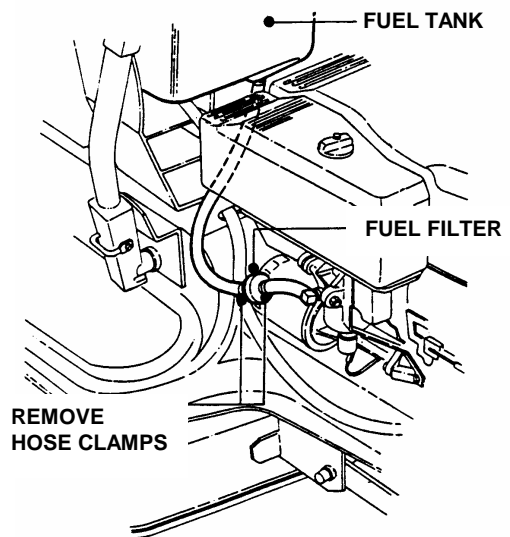


FIGURE 3.13

## Section 3 - MAINTENANCE

### 3.4 SERVICE - ANNUALLY

#### 3.4.2. FUEL FILTER

(Continued From Previous Page)

3. Install new fuel filter part number 1-4359. See Figure 3.14.

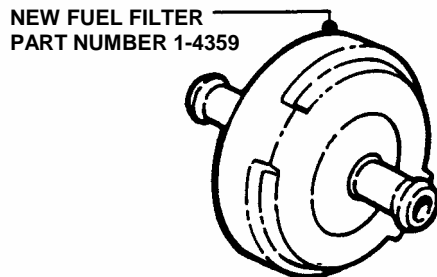


FIGURE 3.14

4. Fill fuel tank with fresh gasoline. Refer to engine owner's manual for fuel specifications.

#### 3.4.3. SPARK PLUG

Remove and replace engine spark plug. Refer to engine owner's manual for correct replacement plug and gap specifications.

#### 3.4.4. HYDROSTATIC TRANSMISSION OIL

The hydrostatic transmission does not require maintenance. If any problems arise return immediately to a Snapper dealer.



## Section 4 - ADJUSTMENT & REPAIR

**WARNING**  
DO NOT attempt any adjustments, maintenance or service with the engine or blade running. STOP blade. STOP engine. Set brake. Remove key. Remove spark plug wire from spark plug and secure wire away from spark plug. Engine and components can be extremely hot. Avoid burns by allowing engine and components sufficient time to cool.

### 4.1 ENGINE ADJUSTMENTS & REPAIR

Refer to the engine owner's manual for those adjustments and/or repairs that can be made by the owner.

### 4.2 MOWER DECK & COMPONENT ADJUSTMENTS

The following mower deck and component adjustments and repairs can be made by the owner. However, if there is difficulty in achieving these adjustments and repairs, it is recommended that these repairs be made by an authorized SNAPPER dealer.

**WARNING**  
Blades must stop rotating in 5 seconds or less after blades have been turned off. DO NOT operate machine until blade brake has been adjusted and functioning properly. Contact your SNAPPER dealer for assistance.

#### 4.2.1. BLADE BRAKE ADJUSTMENT

The blade brake when properly adjusted will stop blade rotation in 5 seconds or less when the blade engagement lever is moved to the OFF position.

#### 33" DECK BLADE BRAKE ADJUSTMENT

1. Blade brake adjustment is made by turning the adjustment nut on the threaded brake rod. The brake is initially set with 1-3/16" of thread exposed beyond the nut. See Figure 4.1. Verify this setting before attempting any adjustments. To tighten the brake (stop blade rotation quicker) turn the adjustment nut clockwise – ONE TURN ONLY.

**IMPORTANT:** DO NOT over-tighten blade brake. Tighten one turn and check function of brake. If blade stop time remains over 5 seconds, turn adjustment nut 1 to 2 turns clockwise. If blade stop time remains over 5 seconds, DO NOT OPERATE machine. Contact your SNAPPER dealer for assistance.

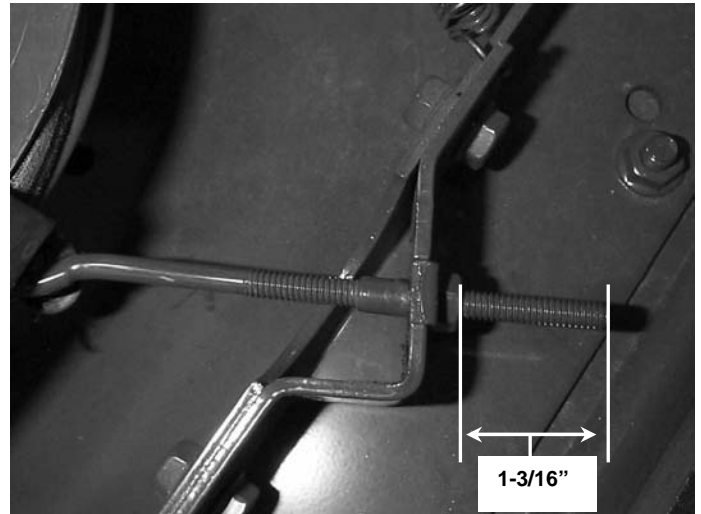


FIGURE 4.1

#### 38" DECK BLADE BRAKE ADJUSTMENT

The 38" deck requires no blade brake adjustment. Blades must stop in 5 seconds or less after blades have been turned off. If blades continue to rotate, contact your authorized SNAPPER dealer for assistance.

**WARNING**  
DO NOT operate machine until blade brake has been repaired and functioning properly. If blade stop time can not be achieved with the adjustment procedure described above, take machine immediately to an authorized SNAPPER dealer.

## Section 4 - ADJUSTMENT & REPAIR

**WARNING**

**DO NOT** attempt any adjustments, maintenance or service with the engine or blade running. **STOP** blade. **STOP** engine. Set brake. Remove key. Remove spark plug wire from spark plug and secure wire away from spark plug. Engine and components can be extremely hot. Avoid burns by allowing engine and components sufficient time to cool. If deck front to rear level is not correct, this could cause blade belt problems.

### 4.2.2. BLADE BELT ADJUSTMENT – 33” DECK

1. Move tractor to a firm, level surface.
2. Turn engine "OFF". Remove key.
3. Move blade engagement lever down to "OFF". See Figure 4.2.
4. Place deck in mid cutting position.
5. Check front to rear level. Refer to Section "33 DECK LEVEL ADJUSTMENT (FRONT TO REAR)".

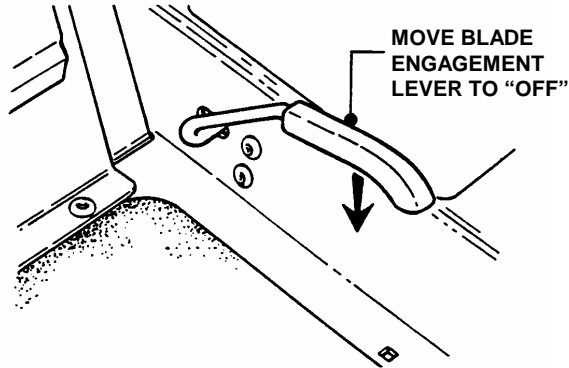


FIGURE 4.2

**IMPORTANT:** If deck front to rear level is not correct, this could cause blade belt problems.

6. Move blade engagement lever to "ON".
7. Measure blade cable extension spring. The length of the spring (x) should increase by 1" (+/-1/8"). See Figure 4.3.

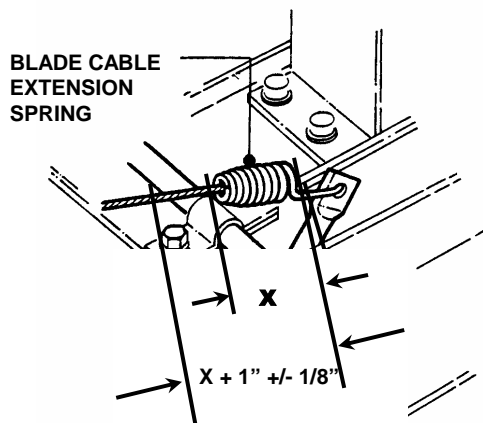


FIGURE 4.3

8. (33" Deck) To adjust tension, remove extension rod mounting bolt and nut. See Figure 4.4.
9. Move extension rod to next hole towards rear of deck and secure with mounting bolt and nut.
10. Measure extension spring with blade engagement lever in the "ON" and "OFF" positions. See Figure 4.3. Continue adjustment until tension is correct.

**IMPORTANT:** Blade brake function must be verified after performing blade belt adjustment.

11. Check blade brake. Refer to Section "CHECK BLADE BRAKE". Blades must stop rotating in 5 seconds or less when turned off.

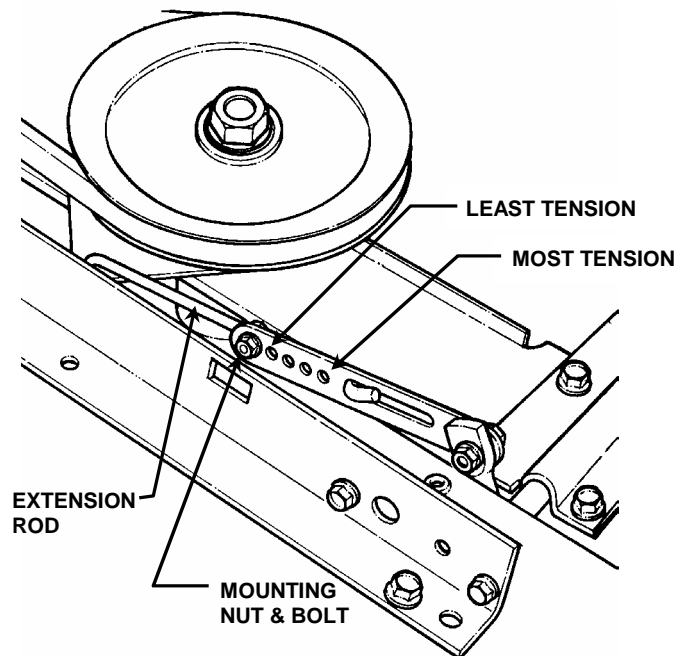


FIGURE 4.4

### 4.2.3. BLADE BELT ADJUSTMENT – 38” DECK

The blade belt on the 38" deck requires no tension adjustment. If the belt becomes worn or damaged it must be replaced. Refer to Section "BLADE BELT REMOVAL & REPLACEMENT".

### 4.2.4. ADJUSTING MOWER BLADE – 33” DECK

(33" Decks Only; no adjustment for 38")

1. Select a point on the deck and mark for reference.
2. Mark blade tips as "A" and "B".
3. Rotate blade until blade tip "A" is at deck reference mark
4. Measure the distance between deck lip and blade tip. Note the measurement. See Figure 4.5.

(Continued on next page)

# Section 4 - ADJUSTMENT & REPAIR

## 4.2.4. ADJUSTING MOWER BLADE – 33” DECK (Continued from previous page)

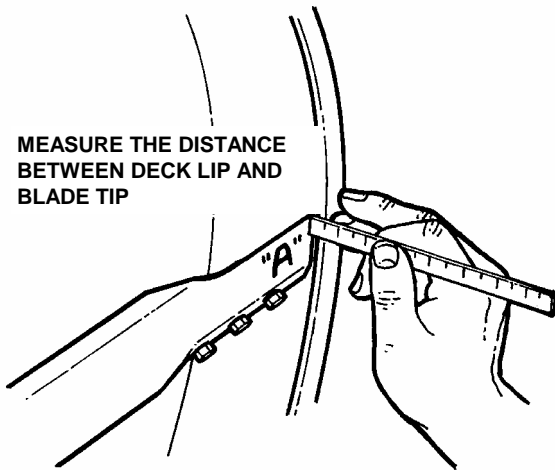


FIGURE 4.5

## 4.2.5. 33" DECK LEVEL ADJUSTMENT (SIDE TO SIDE)

**NOTE:** Adjust tire pressure, 12 P.S.I. front and rear, before adjusting deck.

1. Move tractor to a firm, level surface.
2. Turn engine "OFF". Remove key.
3. Place a piece of angle iron under center rear of deck.
4. Remove hair pins and washers securing rear of deck to sector plates. See Figure 4.7.
5. Slide sector off of pins and carefully lower deck onto angle iron.
6. Rotate blade(s) until blade tips are at each side of deck.
7. Measure distance from blade tip to floor on each side of deck. Blade tips should be within 1/8" of each other for the deck to be considered level. See Figure 4.8.

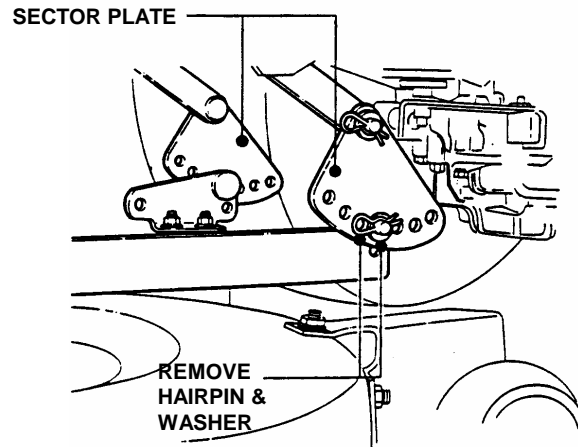


FIGURE 4.7

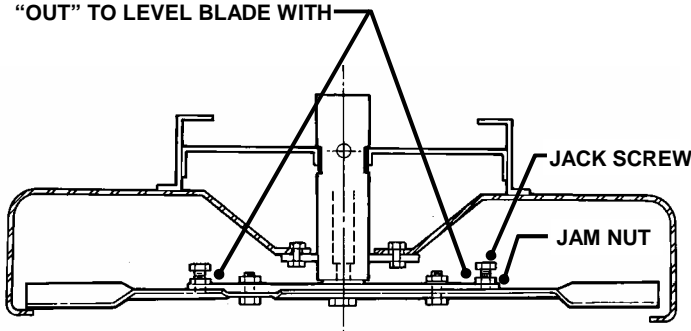
**WARNING**

DO NOT attempt any adjustments, maintenance or service with the engine or blade running. STOP blade. STOP engine. Set brake. Remove key. Remove spark plug wire from spark plug and secure wire away from spark plug. Engine and components can be extremely hot. Avoid burns by allowing engine and components sufficient time to cool.

**NOTE:** On 33" decks, the measurement between the blade tip and deck lip should be 5/16".

5. Repeat steps 2 and 3 with blade tip "B".
6. If measurement between blade tips and deck are different and there is more than 1/16" difference between blade tip measurements, adjust blade as follows:
  - a. Loosen jam-nuts on blade bar.
  - b. Adjust jack screws "IN" or "OUT" until blade tip measurements are within 1/16" of each other. See Figure 4.6.
  - c. Tighten jam-nuts.

LOOSEN JAM NUTS, ADJUST JACK SCREWS "IN" OR "OUT" TO LEVEL BLADE WITH



SIDE VIEW OF DECK

FIGURE 4.6

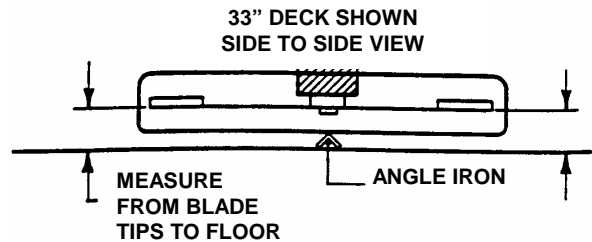


FIGURE 4.8

8. If measurement differs more than 1/8", adjust as follows:

- a. Loosen front lift arm pivot bolt on front of right side rail. See Figure 4.9.

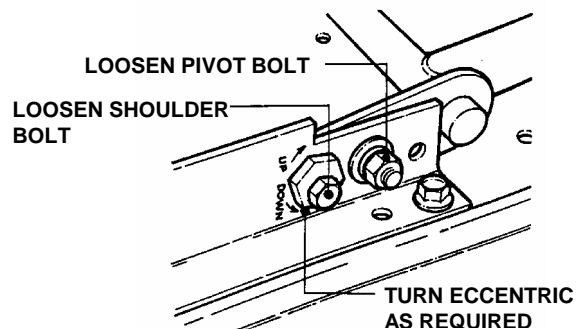


FIGURE 4.9

# Section 4 - ADJUSTMENT & REPAIR

**WARNING**

**DO NOT** attempt any adjustments, maintenance or service with the engine or blade running. **STOP** blade. **STOP** engine. Set brake. Remove key. Remove spark plug wire from spark plug and secure wire away from spark plug. Engine and components can be extremely hot. Avoid burns by allowing engine and components sufficient time to cool.

### 4.2.5. 33" DECK LEVEL ADJUSTMENT (SIDE TO SIDE) (Continued from previous page)

- b. Loosen eccentric shoulder bolt.
- c. Turn eccentric "UP" or "DOWN" as required to level deck. See Figure 4.9.
- d. Tighten eccentric bolt. Place sector plates back onto rear lift arms and secure with washers and hairpins.

### 4.2.6. 33" DECK LEVEL ADJUSTMENT FRONT TO REAR - SECTOR PLATES

1. Remove hair pins and washers securing sector plates to rear lift arms. See Figure 4.10.

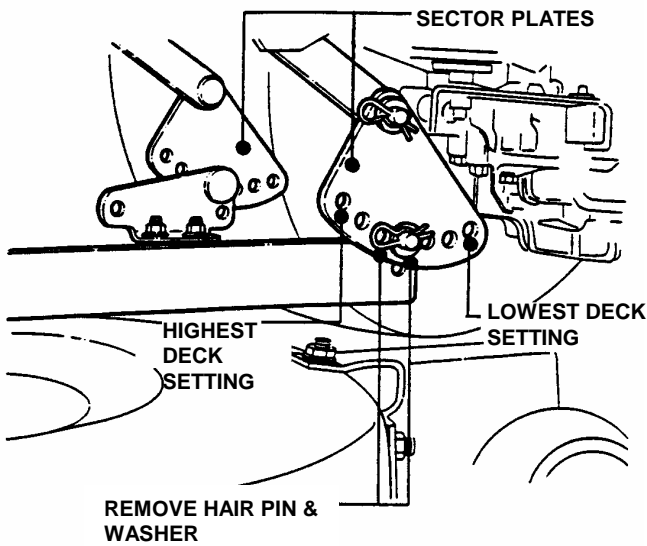


FIGURE 4.10

2. Move sector plate as required to raise or lower deck.

**NOTE:** The deck should be set so that the rear of the deck is 1/4" lower than the front. See Figure 4.11.

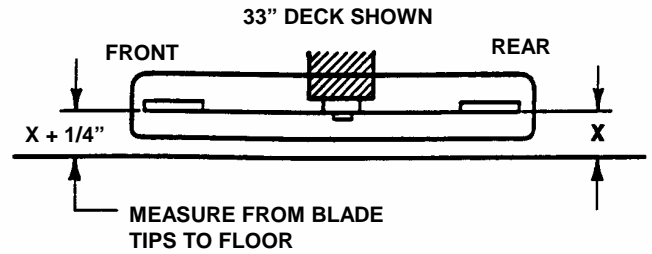


FIGURE 4.11

### 4.2.7. 33" DECK LEVEL ADJUSTMENT FRONT TO REAR - FRONT LIFT ROD

If the sector plates are in their lowest setting and proper level cannot be obtained, adjust the front lift rod as follows:

1. Move deck lift lever to #5 position.
2. Place a 2 x 4 wooden block on edge under front center of deck.
3. Place a 3 x 3 wooden block under rear center of deck.
4. Remove hair pins and washers securing sector plates. Lower rear of deck onto 3 x 3 block.
5. Remove hair pin and washer securing front lift rod to front lift arm. See Figure 4.12.

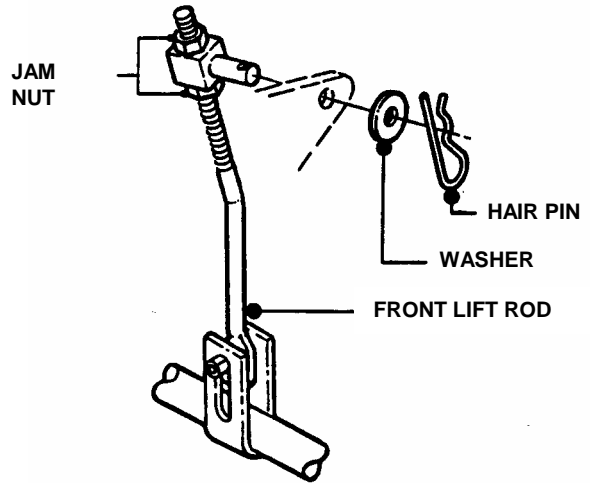


FIGURE 4.12

6. Remove front lift rod and carefully rest front of deck onto 2 x 4 block.
7. Loosen jam nut on front lift rod. See Figure 4.12.
8. Turn front lift rod hanger block until it can be reinstalled into front lift arm without lifting deck.
9. Secure lift rod to lift arm with washer and hair pin.
10. Place sector plates onto rear hanger brackets and secure with washers and hair pins.
11. Raise deck and remove wooden blocks.
12. Repeat steps for front to rear level until levelness is acquired.

## Section 4 - ADJUSTMENT & REPAIR

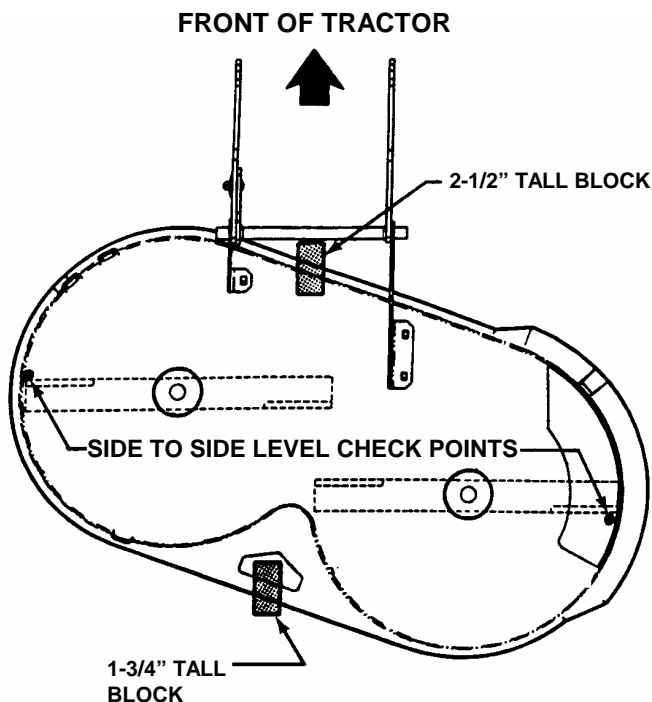
**WARNING**

**DO NOT** attempt any adjustments, maintenance or service with the engine or blade running. **STOP** blade. **STOP** engine. Set brake. Remove key. Remove spark plug wire from spark plug and secure wire away from spark plug. Engine and components can be extremely hot. Avoid burns by allowing engine and components sufficient time to cool.

### 4.2.8. 38" DECK LEVEL ADJUSTMENT (SIDE TO SIDE)

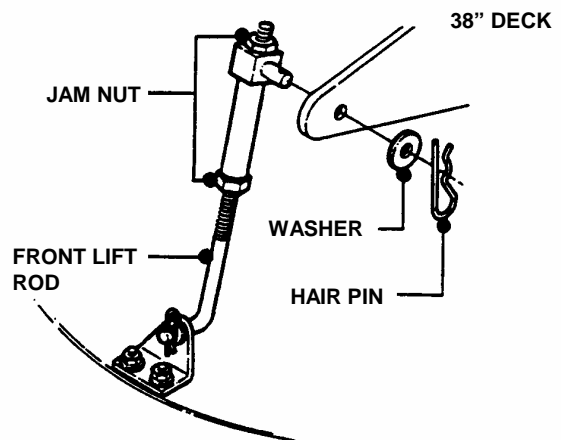
**NOTE:** Before adjusting deck, bring tire pressure to proper P.S.I.; front 12 P.S.I., rear 12 P.S.I..

1. Move tractor to a firm, level surface.
2. Turn engine "OFF". Remove key.
3. Place a 2-1/2" tall block under the front of the deck centered between the front lift arms. See Figure 4.13.



**FIGURE 4.13**

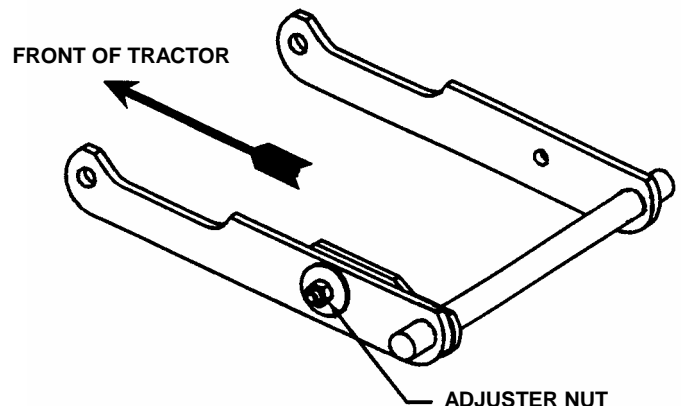
4. Place a 1-3/4" tall block under the rear of the deck in the center. See Figure 4.13.
5. Position blades as shown and lower deck onto blocks. See Figure 4.13.
6. Disconnect the front lift rod and the rear hanger plates. See Figure 4.14.
7. Put the lift lever in the 3rd position from low cut.
8. Measure the distance from each blade tip to the floor. The measurements should be within 1/8" of each other. (Factory setting)



**FIGURE 4.14**

9. If the difference is less than 1/8", go to next section, Front to rear level. If the difference is more than 1/8", adjust as described in the following steps.

10. Loosen the front adjuster nut until adjuster moves freely. Then tighten the nut until the adjuster moves only when moderate force is applied to one side of the deck. See Figure 4.15.



**FIGURE 4.15**

11. Adjust the side to side level of the blade tips by moving one side of the deck up or down as needed to obtain 1/8" or less side to side deck level.

12. After leveling deck, retighten the adjuster nut using 30 to 40 ft. lbs.

13. Attach the rear hanger plates to the hole that most closely aligns with the pin on the deck lift bracket. Secure with washer and hair pin.

14. Adjust the swivel on the front lift rod until it lines up with the hole in the front lift bracket. (Make sure the lift rod is at the top of the slot in the deck bracket) Secure with hair pin.

## Section 4 - ADJUSTMENT & REPAIR

**WARNING**

DO NOT attempt any adjustments, maintenance or service with the engine or blade running. STOP blade. STOP engine. Set brake. Remove key. Remove spark plug wire from spark plug and secure wire away from spark plug. Engine and components can be extremely hot. Avoid burns by allowing engine and components sufficient time to cool.

### 4.2.9. 38" DECK LEVEL ADJUSTMENT (FRONT TO REAR)

1. Position the blades as shown. See Figure 4.16.

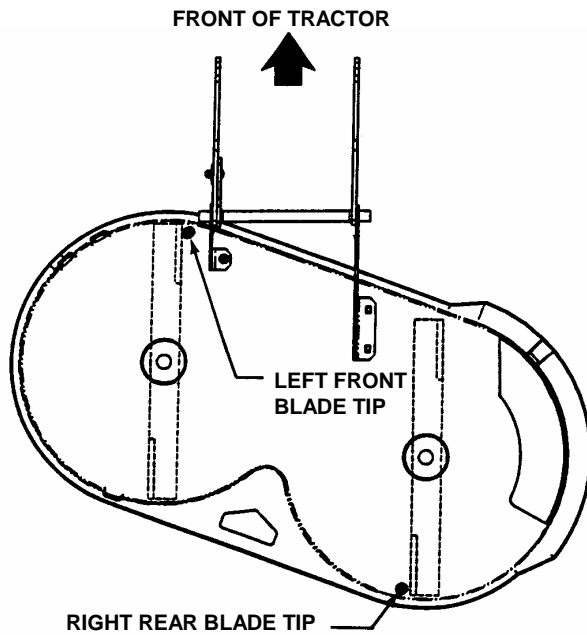


FIGURE 4.16

2. Measure the distance from the left front blade tip to the ground and from the right rear blade tip to the ground. The front left blade tip should be between 1/8" and 3/8" higher than the right rear (factory setting). If it is between 1/8" and 3/8" you are finished with adjustment.
3. If it is not within specifications, adjust by raising or lowering the front of the deck using the swivel on the front lift rod. Turning the swivel clockwise will raise the front of the deck. Turning the swivel counterclockwise will lower the front of the deck.

**NOTE:** The deck should be set so that the rear of the deck is 1/4" lower than the front. See Figure 4.17.

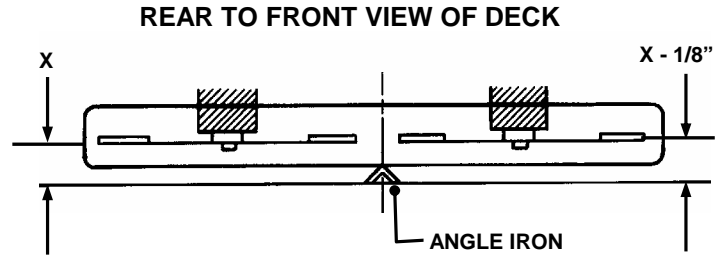


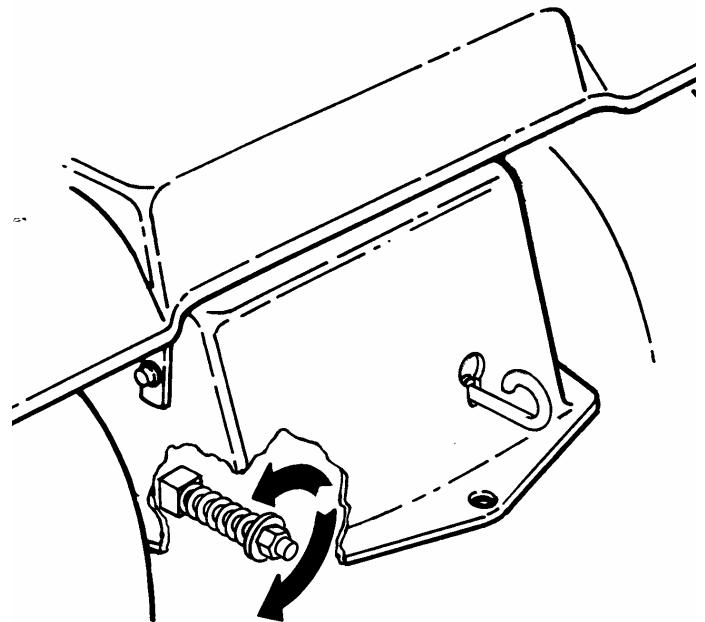
FIGURE 4.17

### 4.3 TRACTOR DRIVE COMPONENTS

#### 4.3.1. BRAKE ADJUSTMENT

**When** adjusted properly, the brake should stop the tractor in approximately 6 feet or less from top speed. Drive the machine at maximum forward speed and apply the brake. If stopping distance is greater than 6 feet, brake adjustment is required.

1. Turn engine "OFF". Remove key.
2. Locate brake adjustment nut underneath the left side at the rear of tractor. See Figure 4.18.
3. Turn nut 1 turn clockwise to increase braking action. DO NOT over tighten brake adjustment.
4. Start engine and test brake.
5. Continue adjustment as described above until proper brake function is achieved.



ROTATE ADJUSTING NUT CLOCKWISE TO INCREASE BRAKING OR COUNTERCLOCKWISE TO DECREASE BRAKING

FIGURE 4.18

## Section 4 - ADJUSTMENT & REPAIR

**WARNING**

**DO NOT** attempt any adjustments, maintenance or service with the engine or blade running. **STOP** blade. **STOP** engine. Set brake. Remove key. Remove spark plug wire from spark plug and secure wire away from spark plug. Engine and components can be extremely hot. Avoid burns by allowing engine and components sufficient time to cool.

### 4.3.2. STEERING ADJUSTMENT

Should excessive "Play" be noted in the steering, adjust as follows:

1. Turn engine "OFF". Remove key.
2. From left side of tractor, locate the steering sector below fuel tank. See Figure 4.19.

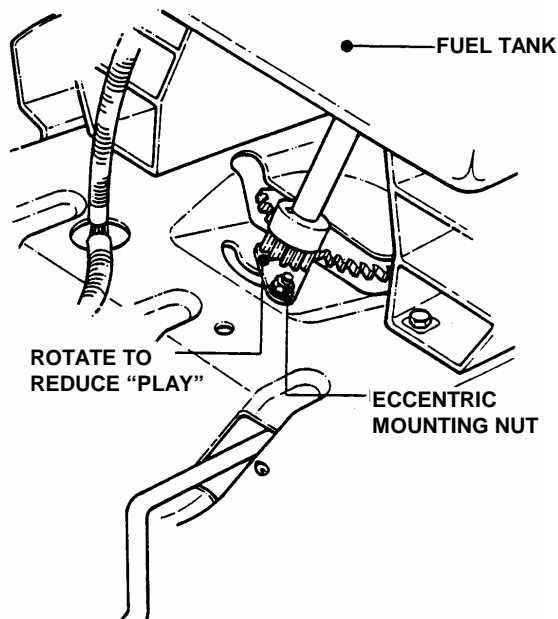


FIGURE 4.19

3. Loosen the eccentric mounting nut and rotate the eccentric clockwise until steering "Play" is reduced. See Figure 4.19.
4. Tighten eccentric mounting nut.

### 4.3.3. SHIFTER ADJUSTMENT

The shift linkage is set at the factory and should not require further adjustment. The shifter is adjusted properly when the speed control lever can be placed at rear edge of the neutral detent and the tractor remains absolutely stationary. If motion is detected, neutral adjustment will be required. **DO NOT** operate a machine that creeps when shifted to neutral.

1. Stop engine. Remove key.
2. Move speed control lever to rear edge of neutral detent and hold firmly.
3. Locate neutral adjustment nut underneath the right rear of the tractor. See Figure 4.20

4. Turn the neutral adjustment nut 1/4 turn clockwise to reduce FORWARD creep. Turn the adjustment nut 1/4 turn counter clockwise to reduce Reverse creep. Only turn the adjustment nut in 1/4 turn increments.
5. Check for creep in neutral. Start engine. Move speed control lever to rear edge of the neutral detent. Machine should not move. If further adjustment is required, stop engine and repeat Step 4.

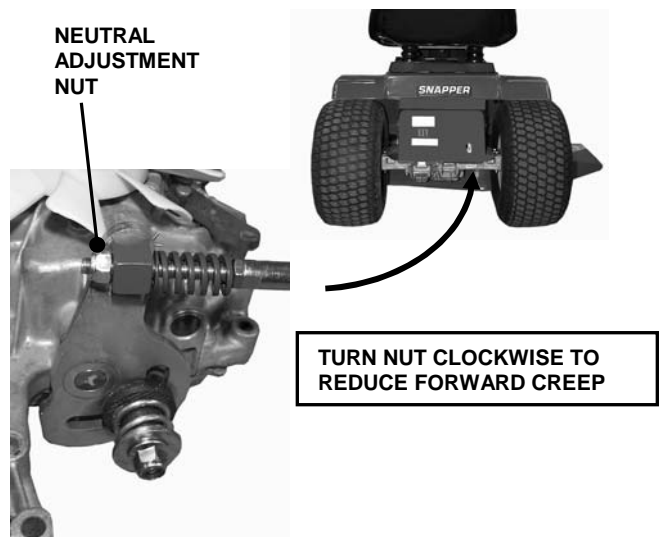


FIGURE 4.20

**WARNING**

**DO NOT** adjust shift linkage with engine running. The adjustment requires hands to be close to rotating parts. **STOP** engine. **REMOVE** key.

## Section 4 - ADJUSTMENT & REPAIR

### 4.3.4. TRACTION DRIVE BELT ADJUSTMENT

Should a gradual loss of traction be noticed, it may be necessary to adjust the traction drive belt tension. Adjust as follows:

1. Move tractor to a firm, level surface.
2. Turn engine "OFF". Remove key.
3. Remove mowing deck.
4. Remove the traction drive belt stationary idler mounting bolt. See Figure 4.21.
5. Move the stationary idler one hole towards left side of tractor for more belt tension.

**NOTE:** Note the orientation of belt guide and make certain it remains in the same orientation after moving idler.

**NOTE:** Should less tension be required move stationary idler towards right side of tractor. See Figure 4.21.

6. Secure stationary idler with mounting bolt.
7. Place spark plug wire onto spark plug. Set park brake. Start engine.
8. Visually inspect traction drive belt for movement. When properly adjusted, the traction drive belt should not have any movement or rotation with the engine running and park brake engaged.
9. Should movement be present, readjust traction drive belt to release belt tension as described in previous instructions.

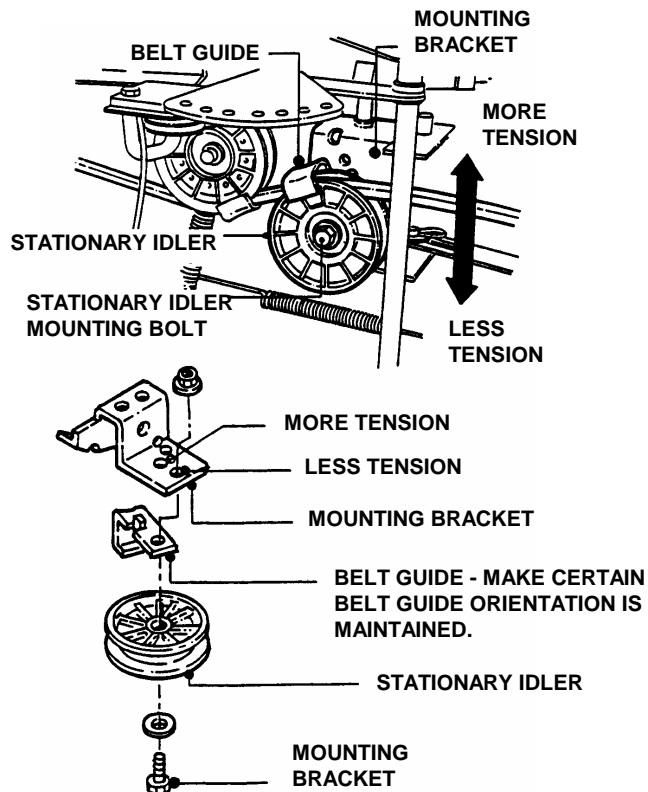


FIGURE 4.21



# Section 4 - ADJUSTMENT & REPAIR

**WARNING**

**DO NOT** attempt any adjustments, maintenance or service with the engine or blade running. **STOP** blade. **STOP** engine. Set brake. Remove key. Remove spark plug wire from spark plug and secure wire away from spark plug. Engine and components can be extremely hot. Avoid burns by allowing engine and components sufficient time to cool. Wear heavy leather gloves when handling or working around cutting blades. Blades are extremely sharp and can cause severe injury.

## 4.4 MOWER BLADE SERVICE

### 4.4.1. (STANDARD) BLADE WEAR LIMITS

All mower blades should be checked for excessive wear and damage before each use. See Figure 4.22.

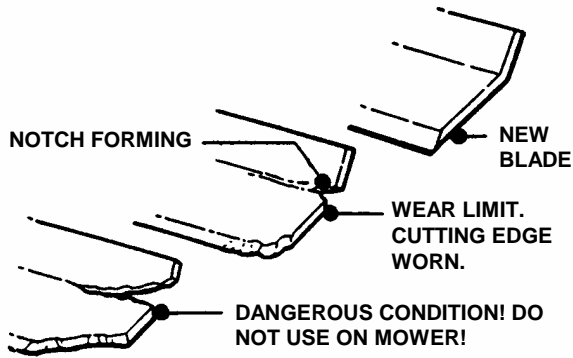


FIGURE 4.22

### 4.4.2. (NINJA) BLADE WEAR LIMITS

The ninja recycling blade requires more frequent service intervals than standard blades. Check for excessive wear and damage before each use. See Figure 4.23.

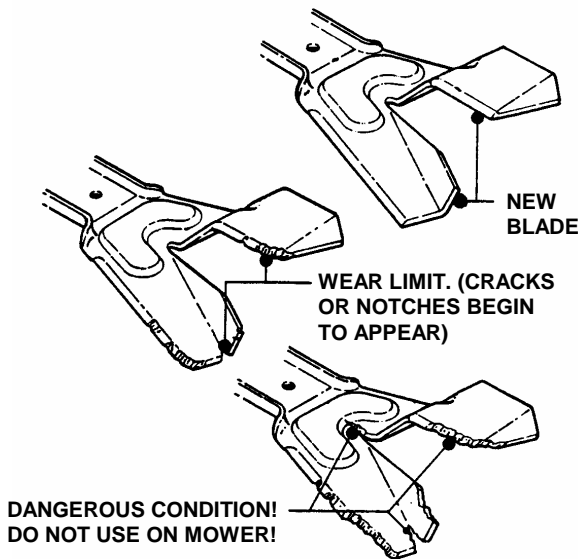


FIGURE 4.23

### 4.4.3. (STANDARD) BLADE SHARPENING

Blades should be kept sharp at all times. When the blades are dull, cut grass will be ragged and lawn will usually turn brown. Sharpen standard blades as follows:

1. Move tractor to a firm, level surface.
2. Turn engine "OFF". Remove key.
3. Remove mowing deck from tractor.
4. Remove mower blade(s).
5. If a blade is in good condition, sharpen cutting edge at an angle of 22 to 28 degrees. **DO NOT** sharpen beyond existing cutting edge. Replace blades not in good condition. See Figure 4.24.

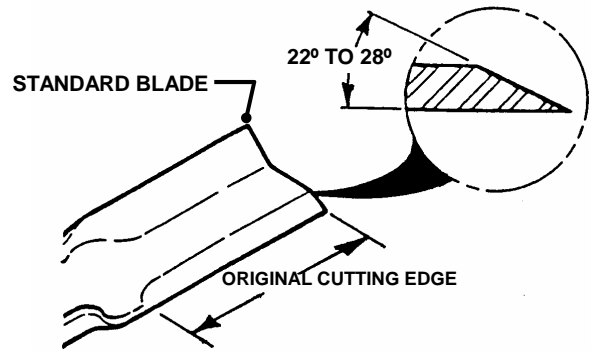


FIGURE 4.24

### 4.4.4. (NINJA) BLADE SHARPENING

The Ninja recycling blades requires more frequent service intervals than standard blades. When the blades are dull, cut grass will be ragged and lawn will usually turn brown. Sharpen standard blades as follows:

1. Move tractor to a firm, level surface.
2. Turn engine "OFF". Remove key.
3. Remove mowing deck from tractor.
4. Remove mower blade(s).
5. Sharpen all cutting edges of the Ninja recycling blade at an angle of 22 to 28 degrees for optimum performance. See Figure 4.25.

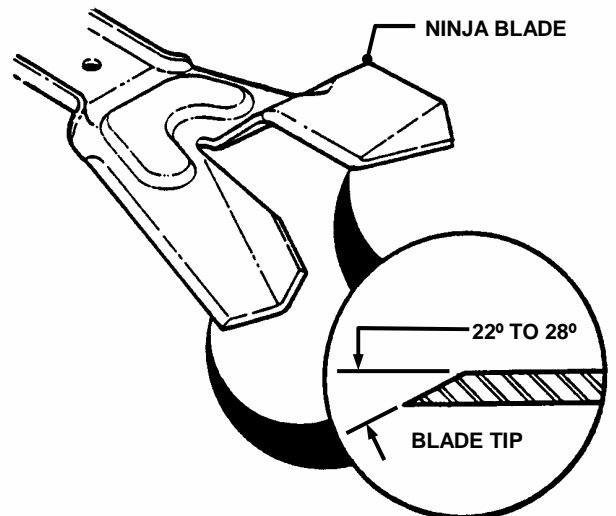


FIGURE 4.25

## Section 4 - ADJUSTMENT & REPAIR

**WARNING**

DO NOT attempt any adjustments, maintenance or service with the engine or blade running. STOP blade. STOP engine. Set brake. Remove key. Remove spark plug wire from spark plug and secure wire away from spark plug. Engine and components can be extremely hot. Avoid burns by allowing engine and components sufficient time to cool. Wear heavy leather gloves when handling or working around cutting blades. Blades are extremely sharp and can cause severe injury.

### 4.4.5. 33" MOWER BLADE REPLACEMENT

1. Move tractor to a firm, level surface.
2. Turn engine "OFF". Remove key.
3. Remove mowing deck from tractor.
4. Position deck on its left side to access blade.
5. Remove blade mounting bolts, nuts and washers. See Figure 4.26.

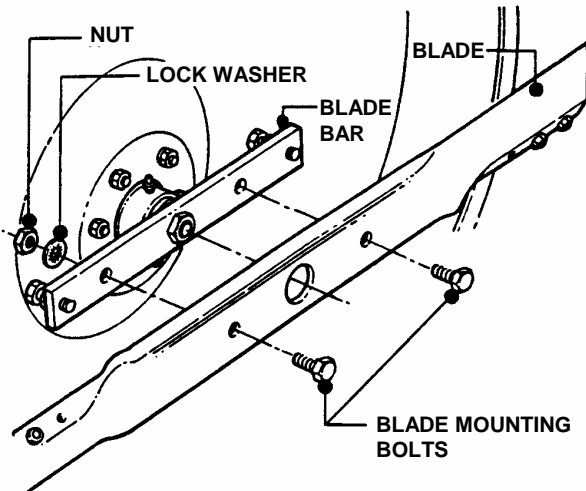


FIGURE 4.26

6. Install new blade onto blade mounting bar.
7. Torque 30 to 40 ft lbs.

### 4.4.6. 38" MOWER BLADE REPLACEMENT

1. Move tractor to a firm, level surface.
2. Turn engine "OFF". Remove key.
3. Remove mowing deck from tractor.
4. Position deck to access blade.
5. Remove blade mounting nut and cone washer from each blade. See Figure 4.27.
6. Install new blades.
7. Torque 70 to 90 ft lbs.

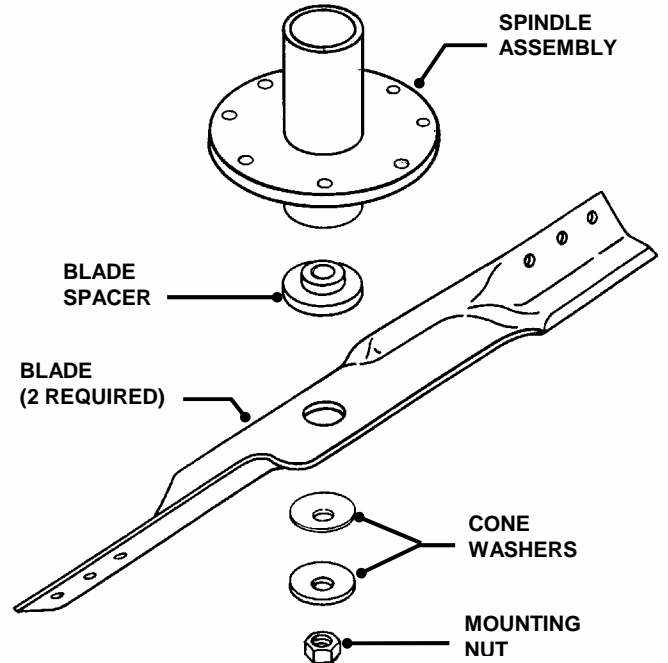


FIGURE 4.27

### 4.4.7. TRACTION DRIVE BELT REPLACEMENT

#### Mower Deck Removal

It is necessary to remove deck in order to replace belts. Remove deck as follows:

1. Place tractor on a firm, level surface such as a driveway or garage floor and set the park brake.
2. Turn engine "OFF". Remove key.
3. Lower the deck to lowest setting.
4. Disconnect the deck lift rod from the front lift arm. See Figure 4.28.

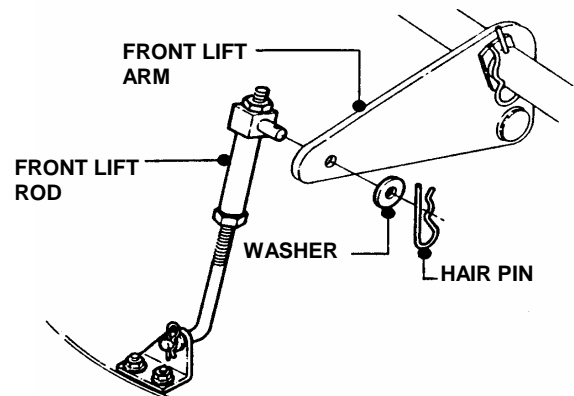


FIGURE 4.28

# Section 4 - ADJUSTMENT & REPAIR

**WARNING**

DO NOT attempt any adjustments, maintenance or service with the engine or blade running. STOP blade. STOP engine. Set brake. Remove key. Remove spark plug wire from spark plug and secure wire away from spark plug. Engine and components can be extremely hot. Avoid burns by allowing engine and components sufficient time to cool.

### 4.4.7. TRACTION DRIVE BELT REPLACEMENT Mower Deck Removal (Continued from previous page)

5. Remove hair pins from the front deck hanger rod. See Figure 4.29.

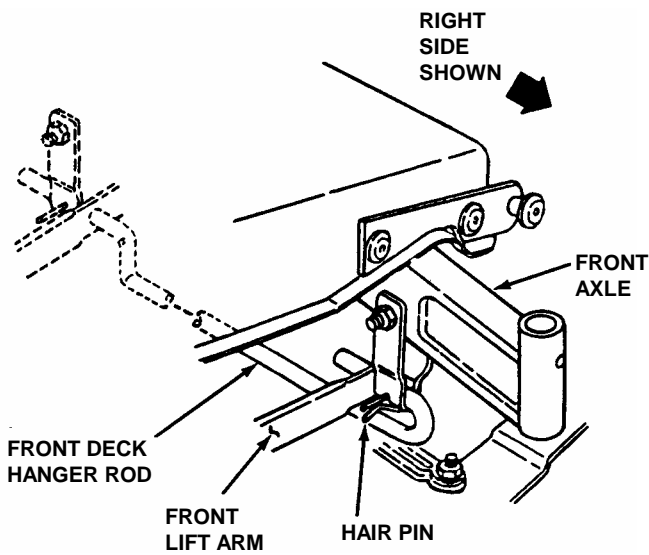


FIGURE 4.29

6. Hold front of deck "UP" and slide the front deck hanger rod to the right and out then lower the front of deck to the ground.
7. Remove hair pin and flat washer from rear deck hanger bracket on both sides of tractor.
8. Make note of hole used in sector plates.
9. Slide sector plates off of rear deck hanger brackets.
10. Slide deck forward.  
Remove deck drive belt from engine pulley bottom groove. See Figure 4.30.

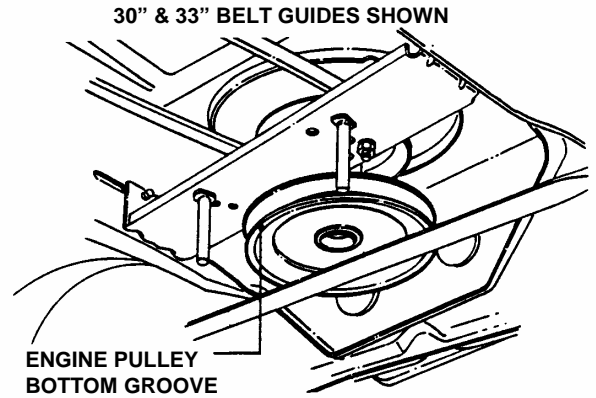


FIGURE 4.30

11. Slide deck back and disconnect spring from tension idler.
12. Pull deck from under tractor from R.H. side.

### Traction drive belt removal

1. Remove two belt guide mounting bolts from each side of tractor frame. See Figure 4.31.

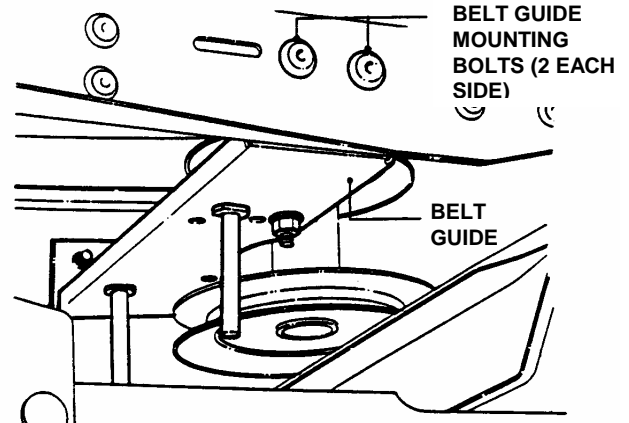


FIGURE 4.31

2. Slide belt guide assembly to the rear and remove.
3. Disconnect traction belt idler pulley spring from tractor frame. See Figure 4.32.

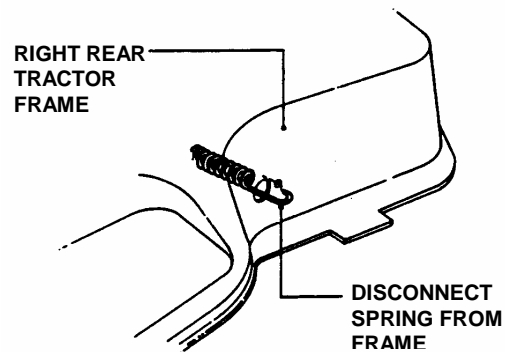


FIGURE 4.32

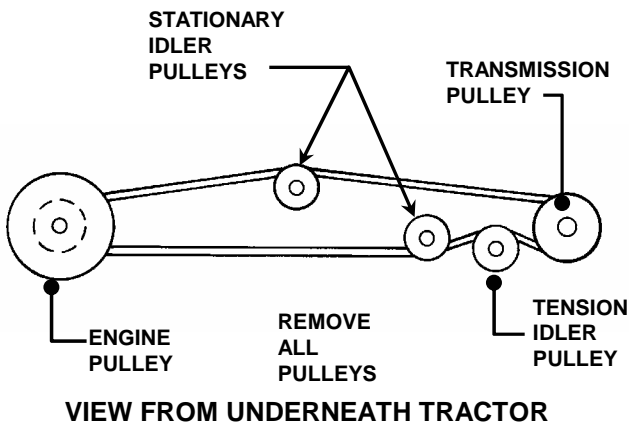
# Section 4 - ADJUSTMENT & REPAIR

**WARNING**

**DO NOT** attempt any adjustments, maintenance or service with the engine or blade running. **STOP** blade. **STOP** engine. Set brake. Remove key. Remove spark plug wire from spark plug and secure wire away from spark plug. Engine and components can be extremely hot. Avoid burns by allowing engine and components sufficient time to cool.

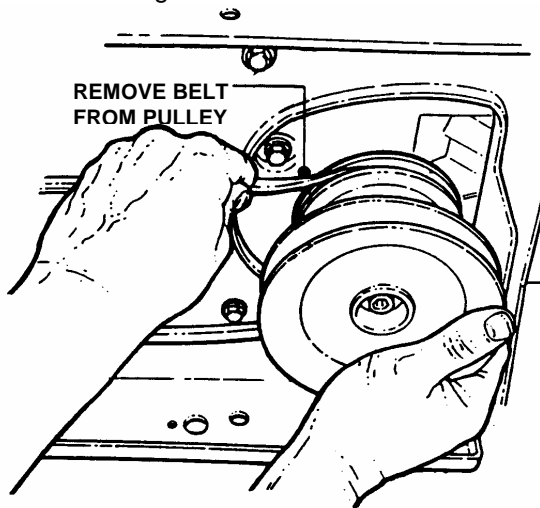
## 4.4.7. TRACTION DRIVE BELT REPLACEMENT (Continued from previous page)

4. Remove mounting nuts that secure the traction drive belt idler tension pulley and stationary idler pulleys. See Figure 4.33.



**FIGURE 4.33**

5. Remove traction drive belt from engine pulley top groove. See Figure 4.34.

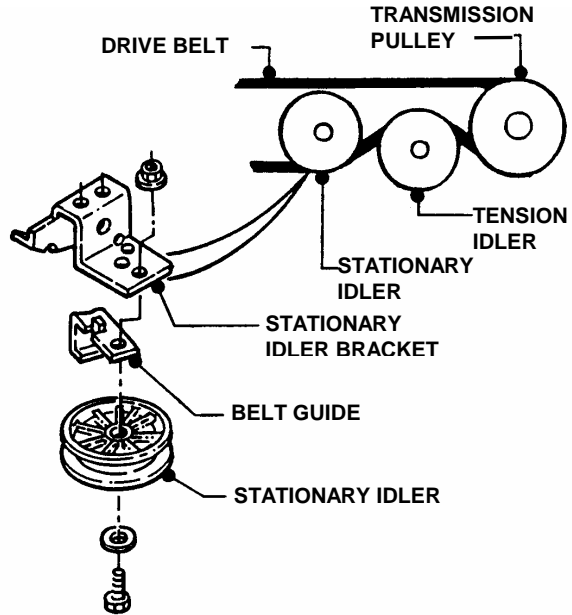


**FIGURE 4.34**

6. Remove belt from center belt guide.  
7. Pull belt until it can be removed from transmission pulley.

## Traction drive belt replacement

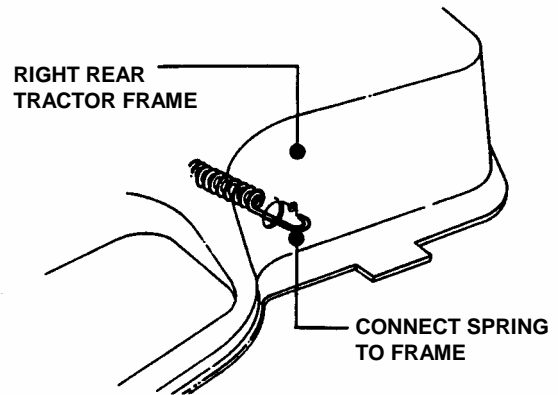
1. Place new traction drive belt over transmission pulley and span to engine pulley.
2. Place belt into top groove of engine pulley.
3. Route belt through stationary and tension idlers. See Figure 4.36.



**FIGURE 4.35**

**NOTE:** When installing a new belt, make certain the stationary idler is mounted in the hole closest to the L.H. side of the tractor. See Figure 4.35.

4. Make certain belt is within belt guides of idlers.
5. Attach tension idler spring to tractor frame. See Figure 4.36.
6. Reinstall mower deck in reverse order of removal.



**FIGURE 4.36**

# Section 4 - ADJUSTMENT & REPAIR

**WARNING**

**DO NOT** attempt any adjustments, maintenance or service with the engine or blade running. **STOP** blade. **STOP** engine. Set brake. Remove key. Remove spark plug wire from spark plug and secure wire away from spark plug. Engine and components can be extremely hot. Avoid burns by allowing engine and components sufficient time to cool.

### 4.4.8. BLADE BELT REMOVAL & REPLACEMENT 33" Deck Drive Belt

1. Place tractor on a firm level surface.
2. Turn engine "OFF". Remove key.
3. Remove mower deck.
4. Remove deck belt idler pulley and spindle pulley cover. See Figure 4.37.

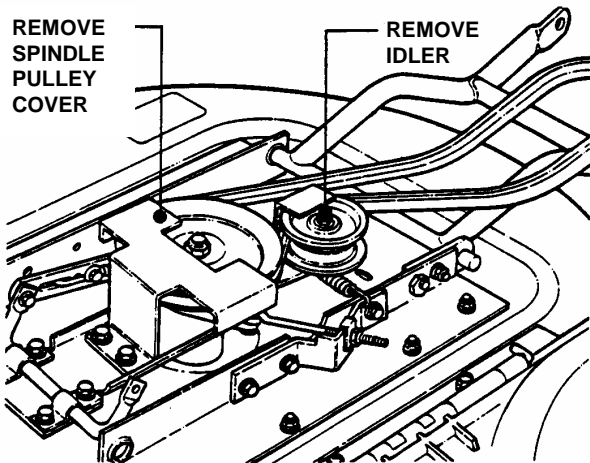


FIGURE 4.37

5. Remove old belt.
6. Replace with new belt in reverse order.
7. Adjust idler pulley belt guide if necessary to obtain 1/16" clearance between belt and belt guide. See Figure 4.38.

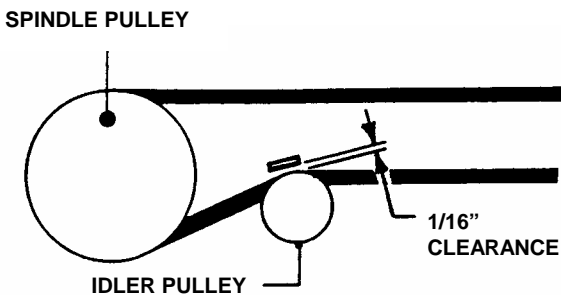


FIGURE 4.38

### 38" Deck Drive Belt

1. Place tractor on a firm level surface.
2. Turn engine "OFF". Remove key.
3. Remove mower deck.
4. Remove spindle belt guard and tension idler. See Figure 4.39.

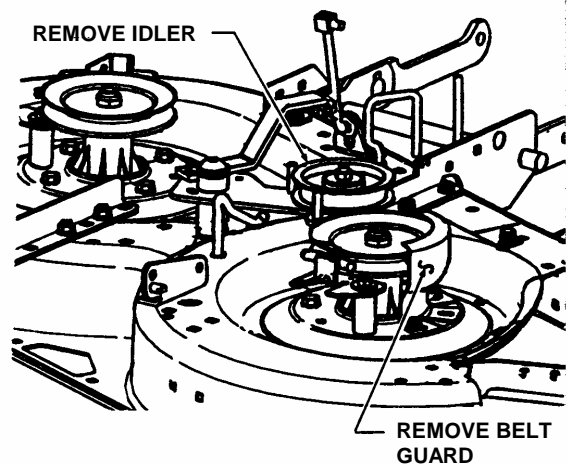


FIGURE 4.39

5. Remove old belt.
6. Replace with new belt in reverse order.
7. Adjust idler pulley belt guide if necessary to obtain 1/16" clearance between belt and belt guide. See Figure 4.40.

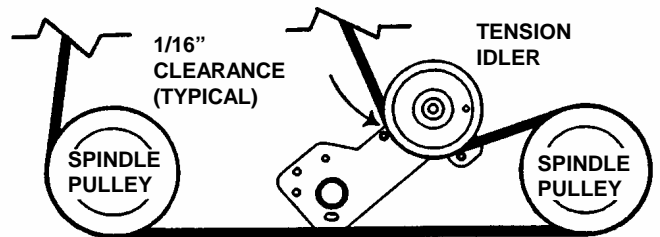


FIGURE 4.40

## Section 4 - ADJUSTMENT & REPAIR

### 4.5 BATTERY

#### 4.5.1. BATTERY REMOVAL

1. Raise operator's seat.
2. Remove the two adjusting knobs.
3. Remove seat assembly and move forward. Use care not to disconnect wires from seat switch. See Figure 4.41.

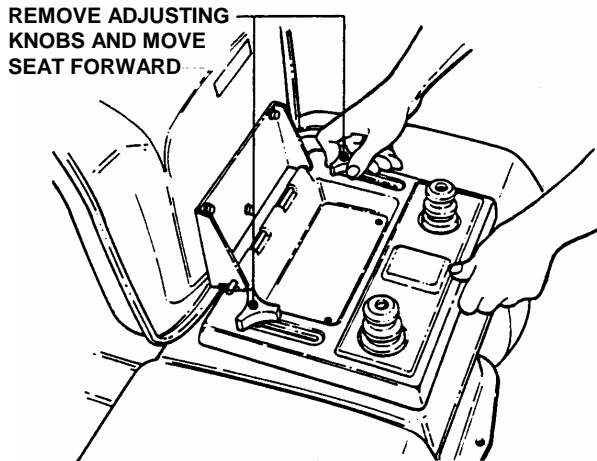


FIGURE 4.41

4. Remove negative (-) cable first.
5. Remove positive (+) cable last.
6. Remove battery. See Figure 4.42.

#### 4.5.2. BATTERY INSTALLATION

1. Slide battery into battery housing.
2. Connect positive (+) cable first.
3. Connect negative (-) cable last.
4. Reinstall seat assembly. Use care not to disconnect wires from seat switch.
5. Reinstall the two adjusting knobs.
6. Lower operator's seat.

**WARNING**

The electrolyte (acid) produces a highly explosive gas. Keep all sparks, flame and fire away from area when charging battery or when handling electrolyte or battery. Electrolyte (acid) is a highly corrosive liquid. Wear eye protection. Wash affected areas immediately after having eye or skin contact with electrolyte (acid). Battery acid is corrosive. Rinse empty acid containers with water and mutilate before discarding. If acid is spilled on battery, bench, or clothing, etc., Flush with clear water and neutralize with baking soda.

#### 4.5.3. BATTERY SERVICE

1. Remove battery. See Section on Battery Removal.
2. Place battery in a well ventilated area on a level surface.
3. Using distilled water, refill cells as required to cover cell plates of which can also be visualized through the plastic battery case.
4. With cell caps removed, connect battery charger to battery terminals. Red to positive (+) terminal and black to negative (-) terminal.
5. Slow charge battery at 1 amp for 10 hours.
6. If battery will not accept charge or is partially charged after 10 hours of charging at 1 amp, replace with new battery.

#### 4.5.4. BATTERY STORAGE

When out of season, it is recommended the battery be removed, charged and stored.

1. Remove battery. (Refer to Section "BATTERY REMOVAL").
2. Perform battery service.
3. Bring battery to full charge, if required.
4. Store battery in an area away from the RIDER on a wood surface. DO NOT STORE BATTERY ON A CONCRETE SURFACE.

**WARNING**

DO NOT attempt to charge battery while installed on the machine. DO NOT use "BOOST" chargers on the battery. DO NOT OVERFILL!

**WARNING**

Cables must be connected to battery terminals in the proper position as shown in Figure 4.42. DO NOT attempt to charge battery while installed on tractor. DO NOT use "BOOST" chargers on the battery.

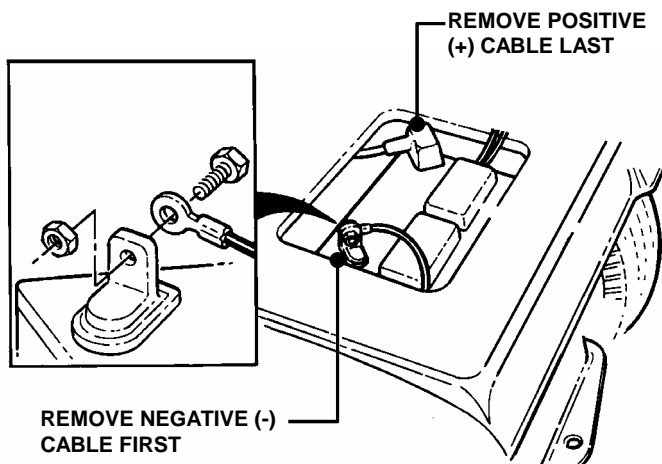


FIGURE 4.42

## Section 4 - ADJUSTMENT & REPAIR



### WARNING



**DO NOT OVERFILL! DO NOT attempt to service or charge the battery while it is installed on the machine. DO NOT use "BOOST" chargers on the battery.**

### 4.5.5. BATTERY TESTING

There are two types of battery tests: Unloaded and Loaded. The unloaded test is the procedure that will be discussed. It's the simplest and most commonly used. An unloaded test is made on a battery without discharging current. To perform unloaded testing, check charge condition using either a hydrometer or voltmeter.

1. Using a voltmeter, voltage readings appear instantly to show the state of charge. Remember to hook the positive lead to the battery's positive terminal, and the negative lead to the negative terminal.
2. A hydrometer measures the specific gravity of each cell. The specific gravity tells the degree of charge; generally, a specific gravity of about 1.265 to 1.280 indicates full charge. A reading of 1.230 to 1.260 indicates the battery should be charged. The chart on the next page shows the charge level as measured by syringe float hydrometer, digital voltmeter and five ball hydrometer.

### 4.5.6 NEW BATTERY PREPARATION

1. Remove battery from carton.
2. Place battery in a well ventilated area on a level non-concrete surface.
3. Remove battery cell caps. Fill cells as required with electrolyte (purchased separately) to proper level. Fill to 3/16" above cell plates. Filling battery with electrolyte will bring the battery to 80% charged state.


### 4.5.7. BATTERY TESTING

<b>Battery Condition Chart</b>			
<b>State of Charge</b>	<b>Syringe Hydrometer</b>	<b>Digital Voltmeter</b>	<b>Five Ball Hydrometer</b>
100% Charged w/ Sulfate Stop	1.280	12.80v	Five Balls Floating
100% Charged	1.265	12.60v	Four Balls Floating
75% Charged	1.210	12.40v	Three Balls Floating
50% Charged	1.160	12.10v	Two Balls Floating
25% Charged	1.120	11.90v	One Ball Floating
0% Charged	Less than 1.100	Less than 11.80v	Zero Balls Floating


4. With cell caps removed, connect battery charger to battery terminals; RED to positive (+) and BLACK to negative (-) terminal.

**IMPORTANT:** 3/16" above cell plates is the recommended level. However do not try to measure this dimension. Never place anything in battery other than specified electrolyte.

5. Slow charge the battery at 1 amp for 2 hours to bring the battery to full charge.
6. After charging, check level of electrolyte and add as needed to bring level to 3/16" above cell plates.
7. Reinstall cell caps.
8. Slide battery partially into battery housing.
9. Connect positive (+) cable (red) first, from wiring harness to the positive terminal (+) on battery using bolt and nut provided in hardware bag. Connect negative (-) cable (black) last, to negative terminal (-) on battery using bolt and nut. Apply a small amount of grease over terminals to prevent corrosion.
10. Insert battery completely into battery housing.
11. Reinstall seat assembly.



### WARNING



**Shield the positive terminal with terminal cover located on battery harness. This prevents metal from touching the positive terminal, which could cause sparks. Cables must be connected to battery terminals in the proper position. RED (Positive) cable must go to the ( + ) terminal. BLACK (Negative) cable must go to the ( - ) terminal.**

## Section 4 - ADJUSTMENT & REPAIR

### AVAILABLE ACCESSORIES

The SNAPPER Series F LAWN TRACTOR can be equipped with a variety of accessories that increase its versatility. The accessories available for each model are listed in the chart below. Contact an authorized SNAPPER dealer for ordering any of the accessories desired.

<b>AVAILABLE ACCESSORIES</b>	<b>LT145H33GBV</b>	<b>LT145H38GBV LT150H38GBV</b>
Thatcherizer	6-1247	6-1247
Dethatcher	6-1912	6-1912
Lawn Sweeper Dethatcher	6-1914	6-1914
Lawn Sweeper	6-1913	6-1913
Aerator	6-1911	6-1911
Broadcast Spreader	6-1916	6-1916
Lawn Roller	6-1915	6-1915
42" Snow Blade*	6-1352	6-1352
44" Dozer Blade Spring Trip****	6-1881	6-1881
Dozer Blade Support Kit	6-1370	6-1370
40" Snow Thrower****	6-1880	6-1880
Debris Blower****	6-1883	6-1883
RAD Quick Hitch/Subframe Kit	6-1879	6-1879
Weight Kit	6-1245	6-1245
Tire Chains	6-1085	6-1085
Ninja Recycling/Mulch Kit	6-1255	6-1878
38 Wave Recycling /Mulch Kit	NA	6-1877
Single Bag Catcher***	6-0943	6-1886
Twin Bag Catcher***	6-0946	6-1888
Clamshell Catcher	6-3131	6-3126
Adapter Mounting Kit	6-1334	6-1334
Utility Trailer	6-1910	6-1910
Bag-N-Wagon	6-0947	NA
Bag-N-Wagon Hitch Kit	6-1308	NA
Front Bumper	6-1982	6-1982

\* Requires Dozer Blade Support Kit \*\*\*Requires Adapter Mounting Kit

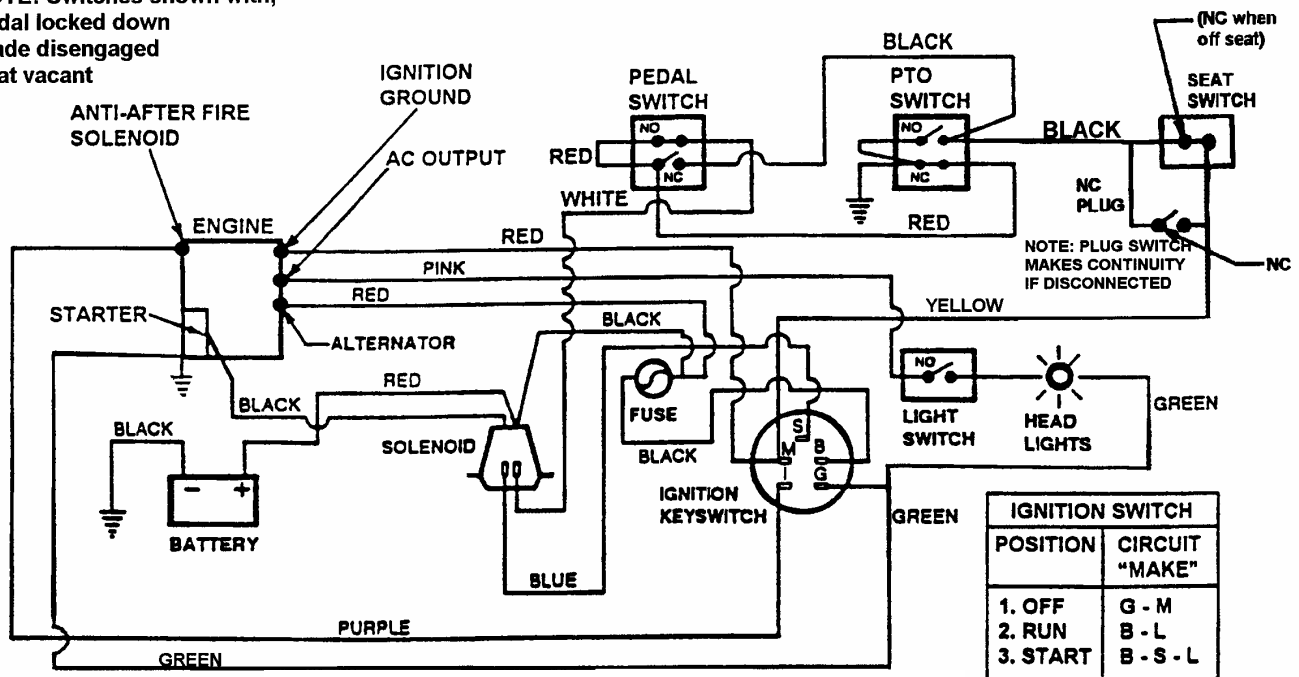
\*\* Requires Snow Thrower Support Kit \*\*\*\*Requires Hitch/Subframe Kit



# SECTION 5 - ELECTRICAL SYSTEM

## ELECTRICAL - B&S Engines

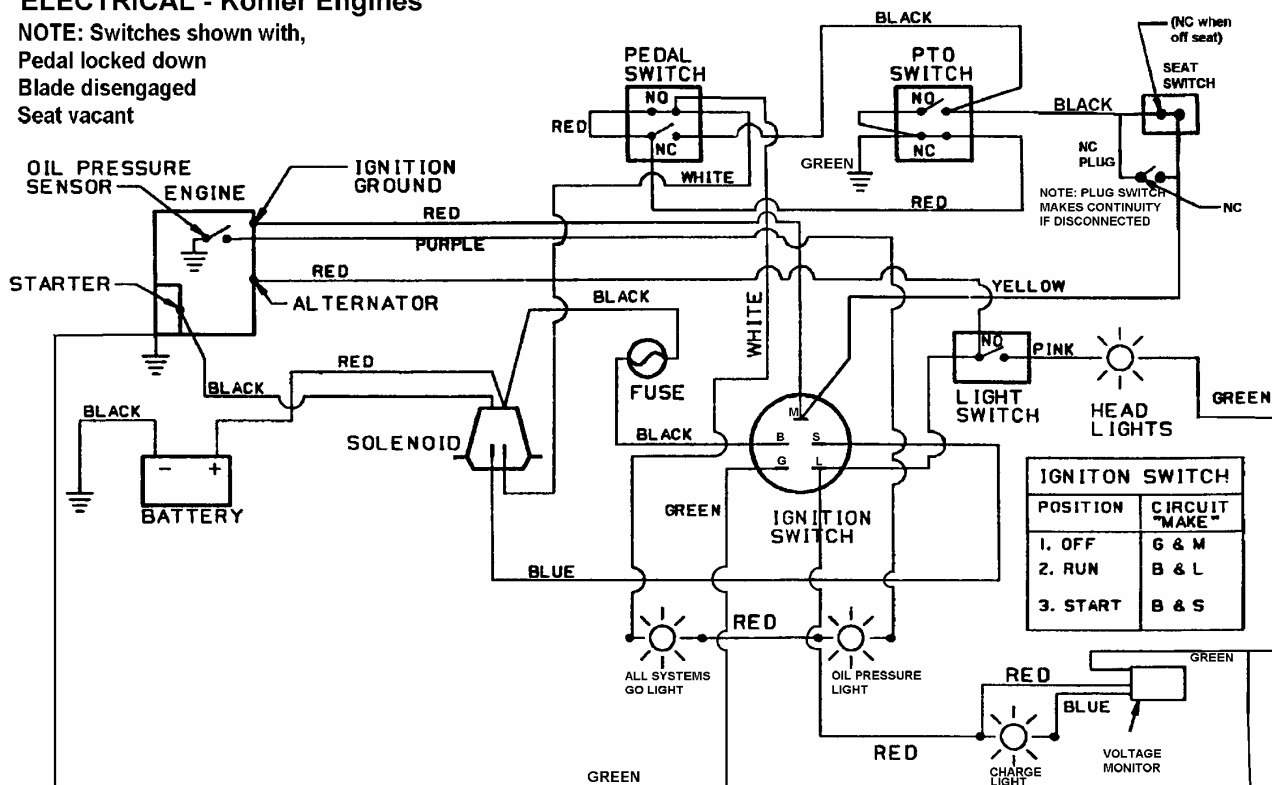
NOTE: Switches shown with,  
Pedal locked down  
Blade disengaged  
Seat vacant



SCHMATIC - WIRING HARNESS P.N. 2-6616  
LT145H33GBV & LT145H38 GBV

## ELECTRICAL - Kohler Engines

NOTE: Switches shown with,  
Pedal locked down  
Blade disengaged  
Seat vacant



SCHMATIC - WIRING HARNESS P.N. 2-4815  
LT150HGKV

# TROUBLESHOOTING GUIDE

PROBLEM	PROBABLE CAUSE	CORRECTIVE ACTION
<b>Starter Will Not Crank Engine</b>	1. Battery dead.	1. Service battery.
	2. Blown fuse.	2. Replace fuse.
	3. Electrical connections loose or corroded.	3. Clean and check connections for good contact.
	4. Defective ignition switch.	4. Contact authorized SNAPPER dealer.
	5. Starter Spins without engaging.	5. Release Start key and repeat attempt. If starter continues to spin contact Engine Dealer.
<b>Engine Will Not Start</b>	1. Blade engagement switch in the "ON" position.	1. Move blade engagement switch to "OFF".
	2. Park brake not set.	2. Set park brake.
	3. Fuel tank empty.	3. Fill fuel tank with fresh fuel.
	4. Engine needs choking.	4. Move engine speed control to "CHOKE".
	5. Spark plug wire disconnected.	5. Place spark plug wire onto spark plug.
	6. Battery weak or dead.	6. Service battery.
	7. Faulty interlock switch.	7. Contact authorized SNAPPER dealer.
<b>Engine Stalls After Running</b>	1. Operator not in seat.	1. Sit in operator's seat.
	2. Engine speed control in the "CHOKE" position.	2. Move engine speed control to "FAST".
	3. Fuel tank empty.	3. Fill with fuel to proper level.
	4. Engine air pre-cleaner and or air cleaner dirty.	4. Clean free of all debris.
	5. Spark plug defective or gap set improperly.	5. Service spark plug.
	6. Fuel filter stopped up.	6. Replace fuel filter.
	7. Water, debris or stale fuel in fuel system.	7. Drain and clean fuel system.
<b>Engine Loses Power</b>	1. Excessive load on engine.	1. Lessen load by slowing ground speed.
	2. Engine air pre-cleaner or air cleaner dirty.	2. Clean or replace filters.
	3. Engine oil level low.	3. Fill with engine oil to proper level.
	4. Engine cooling fins and air screens excessively dirty.	4. Clean free of all debris.
	5. Spark plug faulty.	5. Service spark plug.
	6. Water, debris or stale fuel in fuel system.	6. Drain and clean fuel system.
<b>Engine Backfires When Turned To "STOP"</b>	1. Engine speed control set too "FAST".	1. Set engine speed control to "SLOW" and allow engine to idle. Then, turn key to "OFF".
<b>Excessive Vibration</b>	1. Damaged or bent mower blades.	1. Service mower blade(s).
	2. Loose blade components.	2. Service and tighten loose parts.
	3. Loose or missing air lift (if equipped).	3. Replace air lifts. Tighten to proper torque.

(Continued on next Page)

# TROUBLESHOOTING GUIDE

(Continued From Previous Page)

PROBLEM	PROBABLE CAUSE	CORRECTIVE ACTION
<b>Tractor Will Not Move Or Loss Of Traction</b>	1. Speed control handle in the neutral "N" position.	1. Place speed control in desired speed.
	2. Roll release control in "ROLL" position.	2. Move roll release control to the engaged position.
	3. Low transmission oil level.	3. Bring oil to proper level.
	4. Shifter out of adjustment.	4. Adjust shifter.
	5. Traction drive belt requires adjustment.	5. Adjust traction drive belt.
	6. Traction drive belt requires replacement.	6. Replace traction drive belt.
<b>Blade(s) Not Turning</b>	1. Blade engagement switch in the "OFF" position.	1. Move switch to the "ON" position.
	2. Blade belt requires adjustment.	2. Adjust mower belt.
	3. Blade belt requires replacement.	3. Replace mower belt.
	4. Electric clutch not functioning.	4. Contact authorized SNAPPER dealer.
<b>Cutting Grass Improperly</b>	1. Uneven tire pressure.	1. Bring to proper pressure.
	2. Cutting height too low or high.	2. Adjust cutting height.
	3. Engine speed too slow.	3. Move engine speed control to "FAST".
	4. Forward speed too fast.	4. Move speed control to a slower speed.
	5. Deck side to side level requires adjustment.	5. Adjust side to side level.
	6. Deck front to rear level requires adjustment.	6. Adjust front to rear level.
	7. Cutting Blade dull or damaged.	7. Sharpen cutting edges or replace blade.
	8. Blade belt requires replacement.	8. Replace blade belt.
	9. Blade belt slipping.	9. Replace blade belt.
<b>Poor Grass Discharge</b>	1. Engine speed too slow.	1. Move engine speed control to "FAST".
	2. Forward speed too fast.	2. Move speed control to a slower speed.
	3. Grass is wet.	3. Mow when grass is dry.
	4. Excessively worn or damaged blade(s).	4. Service mower blade(s).
	5. Build up of grass clippings and debris under deck.	5. Clean deck.
	6. Improper blade(s) installed on deck.	6. Install proper SNAPPER blades.
	7. Blade(s) installed improperly on deck.	7. Install blades properly.
<b>Battery Will Not Charge</b>	1. Poor cable connections.	1. Clean cables and battery terminals.
	2. Bad battery cell(s).	2. Replace with new battery.
	3. Faulty alternator.	3. Contact engine manufacturer's dealer.
<b>Oil Leaking From Transmission</b>	1. Loose or missing oil filler cap on transmission.	1. Check oil level and re-install oil cap.
	2. Leaking axle seats.	2. Contact authorized SNAPPER dealer.
	3. Leaking at casing seal.	3. Contact authorized SNAPPER dealer.

# MAINTENANCE SCHEDULE

SUBJECT	SERVICE TO BE PERFORMED	REFERENCE PAGES	EACH USE	5 HOURS	25 HOURS	50 HOURS	100 HOURS	EACH SEASON
Engine	Check Oil Level	Page 6	X					
Engine	Initial Oil Change	Page 12		X				
Engine	Periodic Oil Change	Page 13				X*		
Air Pre-Cleaner	Service Sponge Pre-Cleaner Element	Engine Manual			X**			
Air Cleaner	Replace Element	Engine Manual.			X**			
Spark Plug	Replace Plugs	Engine Manual & 16					X	
Fuel Filter	Replace Filter	Page 15-16					X	
Engine Cooling System	Clean Shrouds & Fins	Engine Manual					X**	
Battery	Check Electrolyte	Page 30-31			X			X
Battery	Charge Battery	Page 30-31						X
Tires	Check Pressures	Page 6	X					X
Drive Belts	Check For Wear And Tension	Pages 26-28			X			X
Mower Blades	Check Wear, Damage, And Blade Brake	Pages 13,25-26	X					
Mower Deck	Clean Debris Accumulation	Page 6	X		X			X
Mower Deck	Clean Outside and Underside	Page 6	X		X			X
Lubrication Points	Grease or Oil	Pages 14-15			X			X
Hydrostatic Trans. Oil	Check Oil Level	Page 16						X
Reverse Lockout Mechanism	Check Function	Page 11	X					

\*Change oil every 25 hours when operating under heavy load or high temperatures.

\*\*Clean more often under dusty conditions or when air debris is present

## MAINTENANCE PARTS

TRACTOR MODEL No.	DRIVE BELTS		MOWER BLADES	
	Engine to Transmission	Engine to Deck	Standard	NINJA
LT145H33GBV	7-3026	2-6546	3-4168	2-4234
LT145H38GBV	7-3026	3-5500	4-2998	2-6597
LT150H38GBV	7-3026	3-5500	4-2998	2-6597

# **SNAPPER®**

## **3 YEAR LIMITED WARRANTY**

For three (3) years from purchase date for the original purchaser's residential, non-commercial use, **SNAPPER**, through any authorized **SNAPPER** dealer will replace, free of charge (except for taxes where applicable), any part or parts found upon examination by the factory at McDonough, Georgia, to be defective in material or workmanship or both.

For ninety (90) days from purchase date for the original purchaser's commercial, rental, or other non-residential use, **SNAPPER**, through any authorized **SNAPPER** dealer will replace, free of charge, any part or parts found upon examination by the factory at McDonough, Georgia, to be defective in material or workmanship or both.

All transportation costs incurred by the purchaser in submitting material to an authorized **SNAPPER** dealer for replacement under this warranty must be paid by the purchaser.

This warranty does not apply to engines and their components, and batteries, as these items are warranted separately. This warranty does not apply to parts that have been damaged by accident, alteration, abuse, improper lubrication, normal wear, or other cause beyond the control of **SNAPPER**. This warranty does not cover any machine or component part that has been altered or modified changing safety, performance, or durability.

Batteries have a one (1) year prorated warranty period with free replacement if required during the first ninety (90) days from the original purchase date. **SNAPPER** will not be responsible for any installation cost incurred. The battery warranty only covers original equipment batteries and does not cover damage to the battery or machine caused by neglect or abuse, destruction by fire, explosion, freezing, overcharging, improper maintenance, or use of improper electrolyte.

There is no other express warranty.

### **DISCLAIMER OF WARRANTY**

Implied warranties, including those of merchantability and fitness for a particular purpose, are limited to three (3) years from purchase date for the original purchaser's residential or other non-commercial use, and ninety (90) days from purchase for the original purchaser's commercial, rental or other non-residential use, and to the extent permitted by law, any and all implied warranties are excluded. This is the exclusive remedy. Liabilities for consequential damages, under any and all warranties are excluded.

Some states do not allow limitations on how long an implied warranty lasts, or do not allow the exclusion or limitation of incidental or consequential damages, so the above limitation or exclusion may not apply to you.

This warranty gives you specific legal rights, and you may also have other rights which vary from state to state.

**WARNING: THE USE OF REPLACEMENT PARTS OTHER THAN GENUINE SNAPPER PARTS MAY IMPAIR THE SAFETY OF SNAPPER PRODUCTS AND WILL VOID ANY LIABILITY AND WARRANTY BY SNAPPER ASSOCIATED WITH THE USE OF SUCH PARTS.**

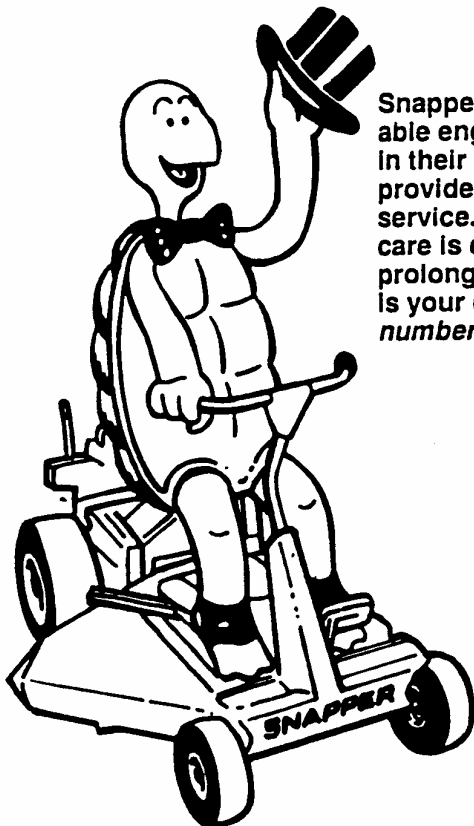
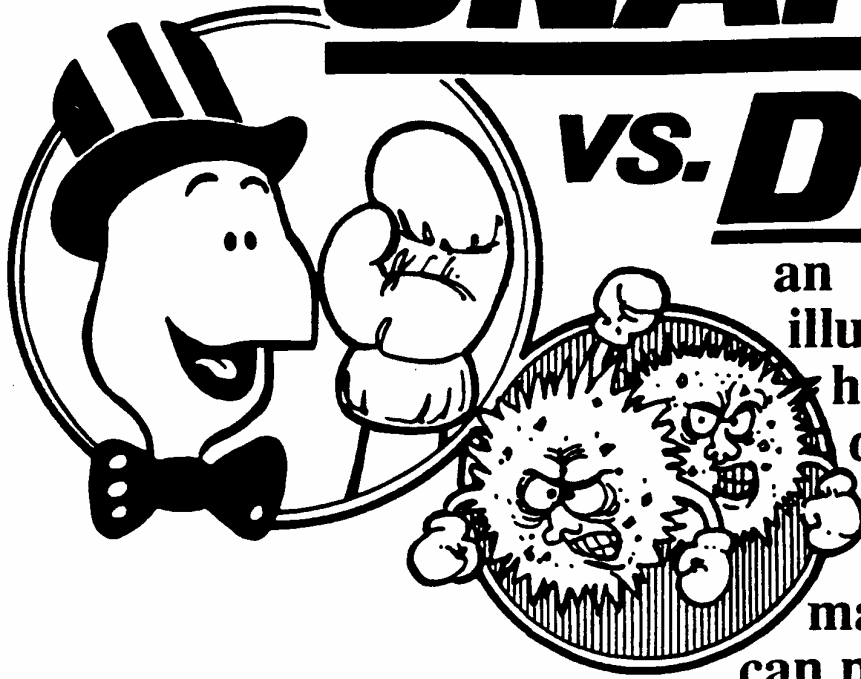
**IMPORTANT:** Please fill out the attached **SNAPPER** Product Registration Card immediately and mail to:  
**Snapper's Product Registration Center, P.O. Box 1379, McDonough, Georgia 30253**

PRIMARY MAINTENANCE

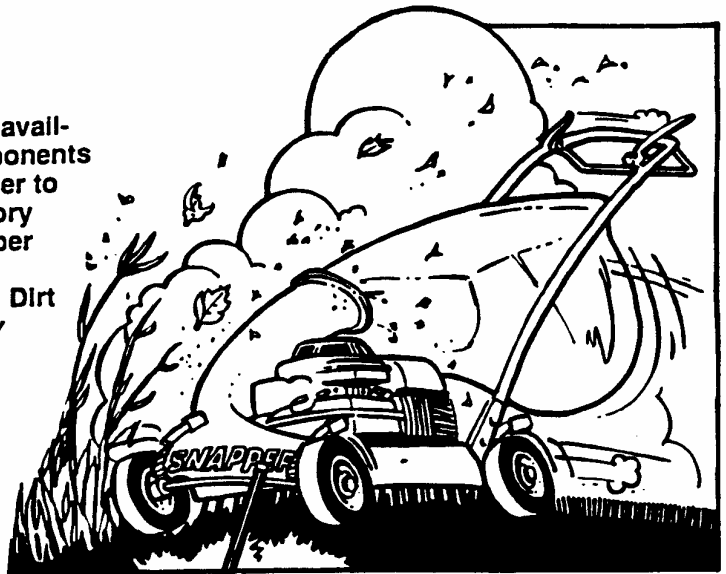
# SNAPPER®

## VS. DIRT!

an illustration of how dirt can damage your engine & how reasonable maintenance can protect it!

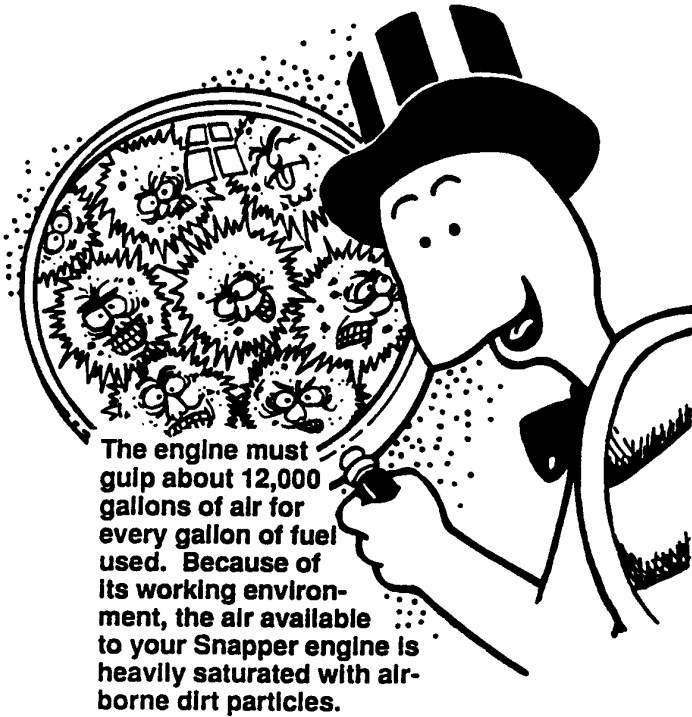


Snapper uses the best available engines and components in their products in order to provide long, satisfactory service. However, proper care is essential in prolonging engine life. Dirt is your engine's enemy number 1!

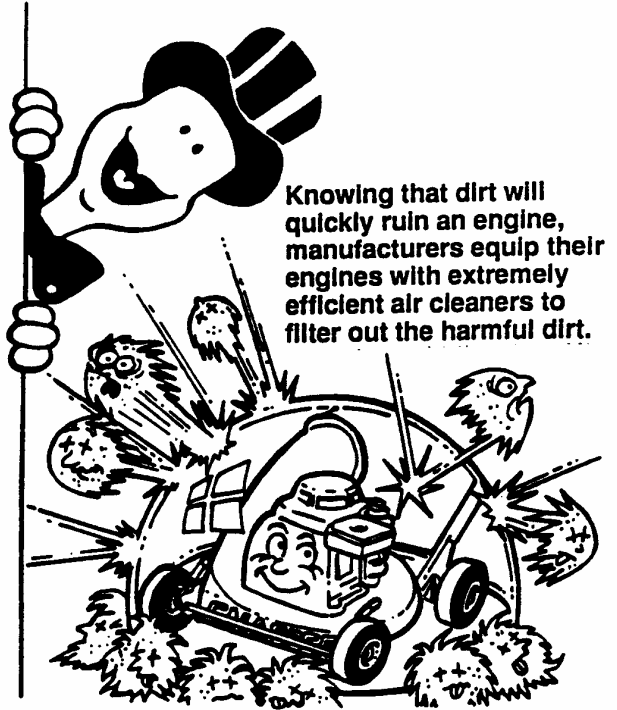


The engine on your Snapper product spends its entire life operating close to the ground at high speed creating a virtual storm of dust and dirt!

## PRIMARY MAINTENANCE



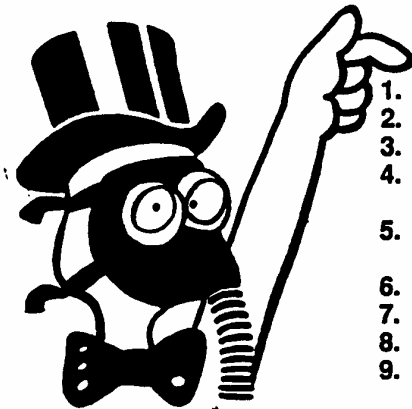
The engine must gulp about 12,000 gallons of air for every gallon of fuel used. Because of its working environment, the air available to your Snapper engine is heavily saturated with air-borne dirt particles.



Knowing that dirt will quickly ruin an engine, manufacturers equip their engines with extremely efficient air cleaners to filter out the harmful dirt.

As the dirt particles are stopped, they build up and begin to clog the outside of the filter. This reduces the amount of air available to the engine and causes an over-rich fuel mixture which results in the following adverse effects:

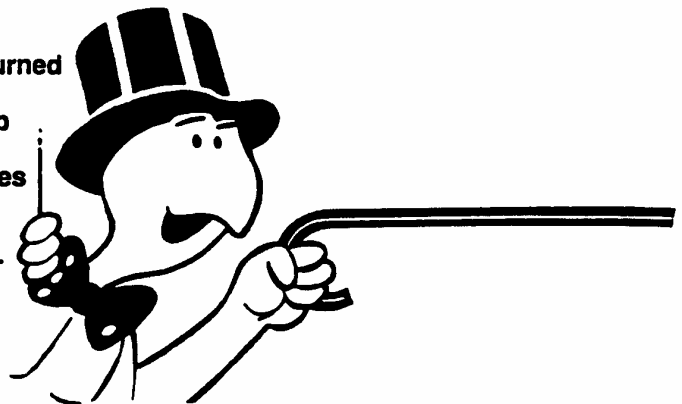
An improperly serviced, dirt clogged air cleaner will:



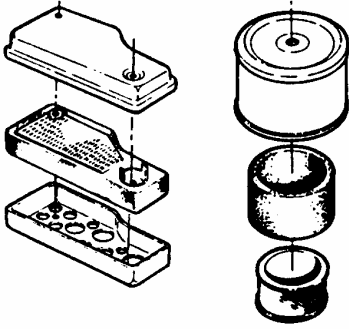
1. Increase fuel consumption
2. cause power loss
3. result in hard starting
4. create smoke from unburned fuel
5. produce carbon build-up internally
6. foul spark plug electrodes
7. score cylinder walls
8. burn valves
9. wear out the engine prematurely
10. COST YOU MONEY!

Damage caused by a poorly serviced air cleaner is not covered under the engine warranties. So, save yourself unnecessary expenses and undue aggravation by keeping the air cleaner properly serviced at the intervals specified in the engine owner's manual.

It doesn't take long to service an air cleaner. Follow the specific instructions in the engine owner's manual for the type filter used. Prevent dirt from falling into the carburetor intake when servicing your air cleaner. Make sure components are installed in correct sequence after servicing to prevent unfiltered air from entering the engine. Some servicing hints on several common types are:



## PRIMARY MAINTENANCE



Generally, wash foam-type filters in a dishwashing detergent and water solution. Rinse and wring dry, then saturate with oil and squeeze out excess. *Failure to re-oil this type filter will ruin the engine.*

Clean paper elements by tapping lightly. Blowing with air will rupture paper elements.

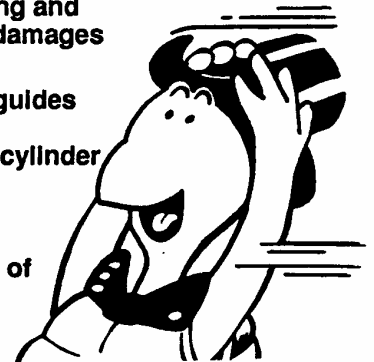
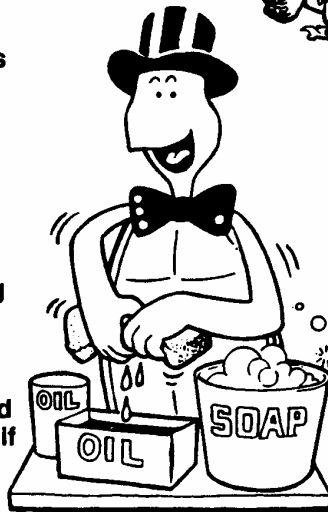
Use a flashlight to detect clogged or torn paper elements - replace if damaged in any way.



Air is also needed to keep your engine cool. Dirt, dust & debris build up to restrict and clog cooling air intake screens and fins. Clean screens and fins at frequent intervals. The engine blower housing and shrouds should be removed at least once each season or more often under dry, dusty conditions for a thorough cleaning of fins.

Failure to keep external surfaces clean not only presents fire hazards, but causes overheating and resulting engine damages such as:

1. distorted valve guides
2. sticking valves
3. scuffed, scored cylinder walls
4. overspeeding
5. loss of power
6. complete failure of engine.

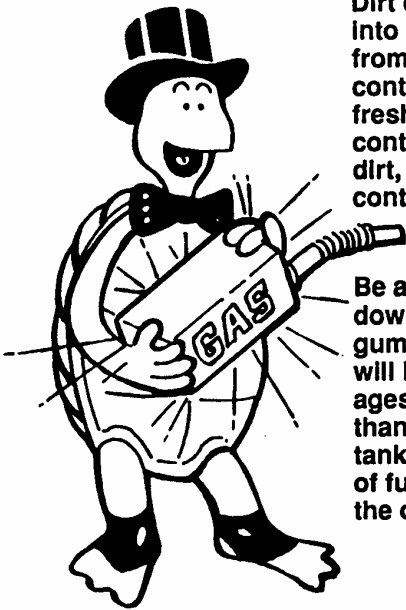


Dirt can also be introduced into an engine in dirty fuel from a contaminated container. Always use clean fresh fuel from a clean container to guard against dirt, sludge and water contamination.

Be aware that fuel breaks down in storage and forms gummy compounds which will block carburetor passages. Never use fuel more than 3 months old. Drain tank then run the engine out of fuel before storing during the off-season.



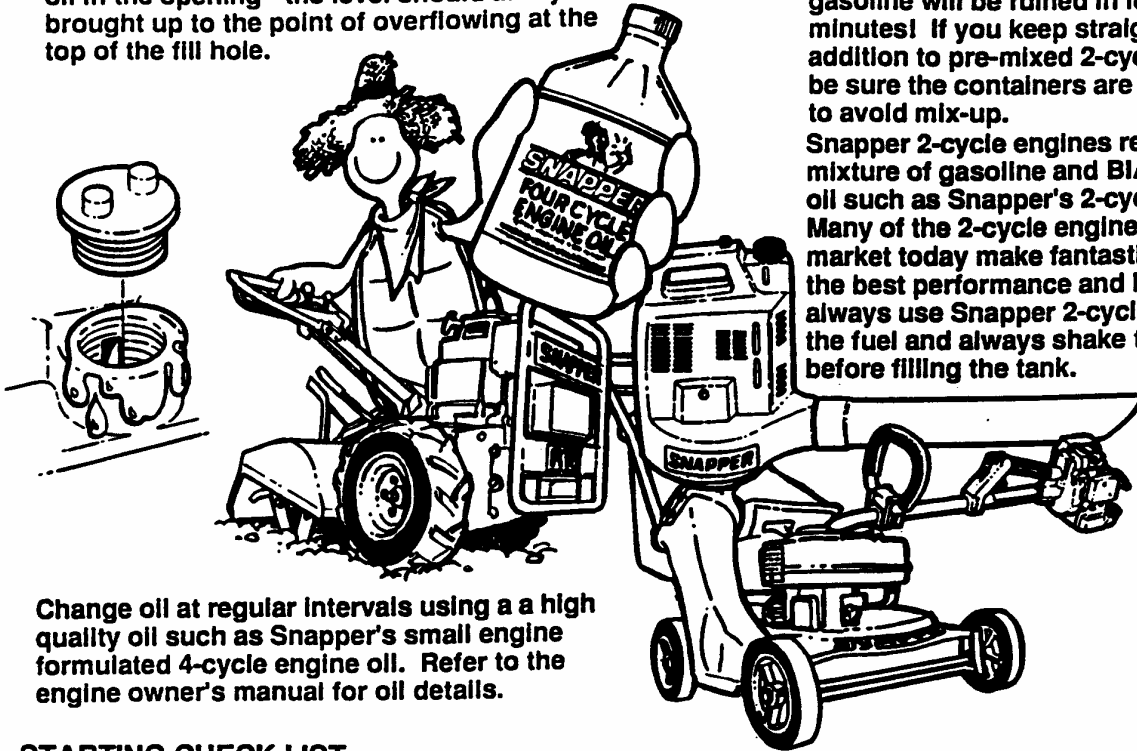
An engine must also have proper lubrication. All engines use some oil. On 4-cycle engines, **CHECK OIL LEVEL BEFORE EACH START-UP.** Wipe area clean around the oil check plug or dipstick opening to keep dirt from falling into the engine when checking the oil. Always check with the machine on a level surface. On engines with dipstick, keep the level up to, but not over, the FULL mark. When adding oil, allow time for all of the oil to flow down the fill tube to prevent a false full reading when the level could actually be low and result in engine damage.





## PRIMARY MAINTENANCE

On 4-cycle engines with an oil level plug, don't be fooled into thinking the engine has sufficient lubricating oil if you can see "some" oil in the opening - the level should always be brought up to the point of overflowing at the top of the fill hole.



Change oil at regular intervals using a high quality oil such as Snapper's small engine formulated 4-cycle engine oil. Refer to the engine owner's manual for oil details.

On 2-cycle engines, lubrication must be provided by an exact mixture of gasoline and 2-cycle air-cooled engine oil. A 2-cycle engine that is mistakenly run on straight gasoline will be ruined in less than 5 minutes! If you keep straight gasoline in addition to pre-mixed 2-cycle engine fuel, be sure the containers are clearly marked to avoid mix-up.

Snapper 2-cycle engines require a 32 to 1 mixture of gasoline and BIA certified TC-W oil such as Snapper's 2-cycle engine oil. Many of the 2-cycle engine oils on the market today make fantastic claims, but for the best performance and long engine life, always use Snapper 2-cycle oil. Pre-mix the fuel and always shake the container before filling the tank.

### STARTING CHECK LIST

- |                              |  |
|------------------------------|--|
| 1. Engine Oil                | <ul style="list-style-type: none"> <li>• To full level (4-cycle)</li> <li>• Properly mixed with gas (2 cycle)</li> </ul>             |
| 2. Air Cleaner               | <ul style="list-style-type: none"> <li>• Clean and properly serviced</li> <li>• Full fresh clean gasoline</li> </ul>                 |
| 3. Fuel Tank                 | <ul style="list-style-type: none"> <li>• Fuel valve open</li> <li>• Cap vent open</li> <li>• Inline filter clean</li> </ul>          |
| 4. Choke                     | <ul style="list-style-type: none"> <li>• Operating properly</li> </ul>   |
| 5. Primer (on some engines)  | <ul style="list-style-type: none"> <li>• Used properly</li> </ul>  |
| 6. Safety Interlock Switches | <ul style="list-style-type: none"> <li>• In proper position</li> <li>• All wires properly connected</li> </ul>                       |
| 7. Switch & Blade Control    | <ul style="list-style-type: none"> <li>• Switch On</li> <li>• Blade control properly positioned on walk mower</li> </ul>             |
| 8. Spark plug                | <ul style="list-style-type: none"> <li>• Wire connected</li> <li>• Good connection</li> <li>• Start position</li> </ul>              |
| 9. Throttle control          |  |
| 10. Blade                    | <ul style="list-style-type: none"> <li>• Properly installed and torqued</li> <li>• Sharpened</li> </ul>                              |
| 11. Muffler                  | <ul style="list-style-type: none"> <li>• Good condition</li> <li>• Not clogged</li> <li>• Grass &amp; leaves cleaned away</li> </ul> |

Read and follow all safety instructions in safety booklets and manuals.

Keep in mind that dirt is your engine's *enemy #1* both internally and externally! Internally, dirt will quickly ruin an engine and externally it will cause overheating and resulting internal damages. Damage caused by improper lubrication, poor air cleaner service or overheating due to dirt cannot be covered under warranty.

It only takes a few moments to service the engine (and equipment) on a routine basis but the rewards will be a quick starting, responsive engine that will provide long satisfactory service with minimum maintenance cost. The prestart checklist in the next column and instructions in your Snapper Operator's Manual are designated to help you keep your Snapper in top operating condition with minimum effort!





*Safety Instructions & Operator's Manual for*

# **SNAPPER®**

## **LAWN TRACTOR HYDROSTATIC DRIVE SERIES G**

### **IMPORTANT**

Snapper products are built using engines that meet or exceed all applicable emissions requirements on the date manufactured. The labels on those engines contain very important emissions information and critical safety warnings. Read, Understand, and Follow all warnings and instructions in this manual, the engine manual, and on the machine, engine and attachments. If you have any questions about your Snapper product, contact your local authorized Snapper dealer or contact Snapper Customer Service at Snapper, McDonough, GA. 30253. Phone: (1-800-935-2967).



#### **WARNING**

BATTERY POSTS, TERMINALS AND RELATED ACCESSORIES CONTAIN LEAD AND LEAD COMPOUNDS, CHEMICALS KNOWN TO THE STATE OF CALIFORNIA TO CAUSE CANCER AND BIRTH DEFECTS OR OTHER REPRODUCTIVE HARM. WASH HANDS AFTER HANDLING.



#### **WARNING**

ENGINE EXHAUST, SOME OF ITS CONSTITUENTS, AND CERTAIN VEHICLE COMPONENTS CONTAIN OR EMIT CHEMICALS KNOWN TO THE STATE OF CALIFORNIA TO CAUSE CANCER OR OTHER REPRODUCTIVE HARM.

**SNAPPER®** McDonough, GA., 30253 U.S.A.