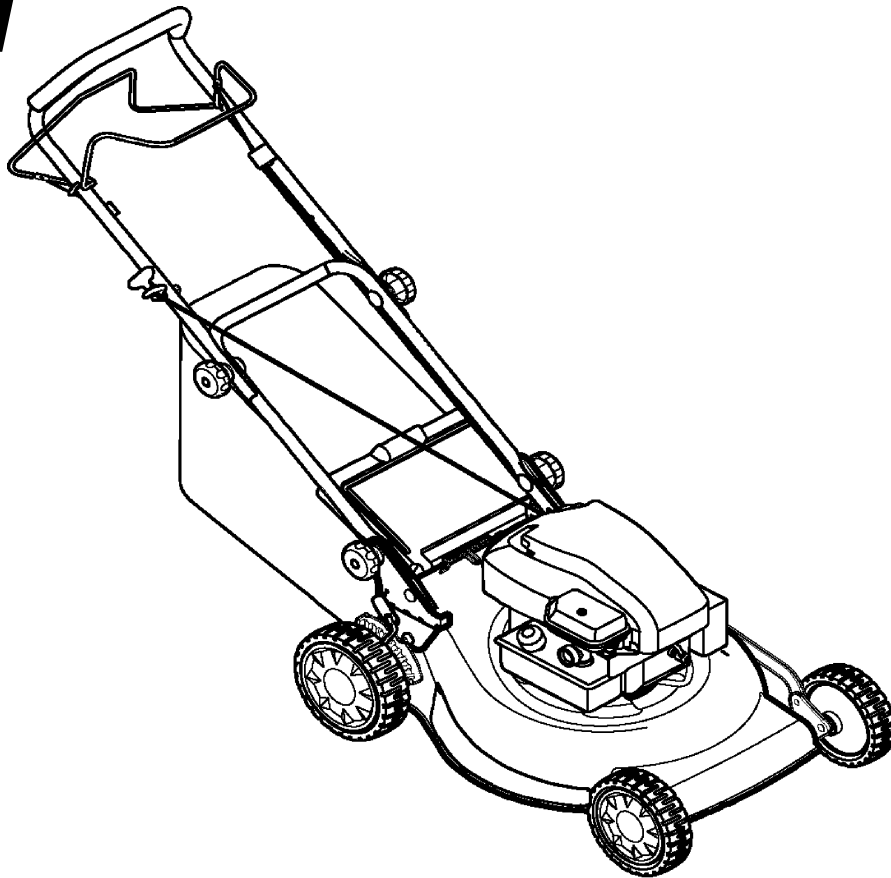




# PARTS LIST



## Models

Mfg. No.	Description
881023	MX550, 5.5TP 19" Self-Propelled Mower, CE (2010)
881164	MX500, 5TP 19" Self-Propelled Mower,CE (2010)

Manual Part No. 881125

Revision B

Rev. Date: 11/23/2009



<b>PRODUCT COMPONENTS</b>	<b>PAGES</b>
Handle Assembly .....	4
Deck & Engine Group .....	6
Drive Group .....	10
<b>Torque Specification Chart .....</b>	<b>Inside Back Cover</b>



## Handle Assembly

REF NO	PART NO.	QTY.	DESCRIPTION
300	880571AYP	1	HANDLE, Lower
301	880210AYP	1	HANDLE, Upper
302	880476BNYP	1	LEVER, Engine Stop (Red)
302	880476ZYP	1	LEVER, Engine Stop (Black)
303	880279YP	1	CABLE, Engine Stop
304	880591YP	1	TUBING, Foam
305	672510MA	1	GUIDE, Rope
306	881056YP	1	KNOB, 5/16-18
307	880615YP	1	WASHER, Formed
308	881061BNYP	1	LEVER, Drive (Red)
308	881061ZYP	1	LEVER, Drive (Black)
309	880297YP	1	CABLE ASSEMBLY, Drive
804	880607YP	1	WASHER, 5/8
807	880029YP	1	CABLE TIE
815	880576YP	1	BOLT, Carriage, 5/16-18 x 1-1/8
816	002X77MA	1	BOLT, Carriage, 5/16-18 x 2
817	22129GS	1	Washer, Lock
820	26X256MA	1	SCREW, Tap, #10 x 1-1/4
822	15X116MA	1	NUT, Hex, 1/4-20

## Footnotes

---

**The above parts group applies to the following Mfg. Nos.:**

881023 - MX550

881164 - MX500



## Deck & Engine Group

REF NO	PART NO.	QTY.	DESCRIPTION
1	10T602-0120-B1	1	*ENGINE, 5TP, Briggs & Stratton (Engine Model: 10T602-0120-B1) (Used on MX500 series)
1	10T802-0161-B1	1	*ENGINE, 5.5TP Briggs & Stratton (Engine Model: 10T802-0161-B1) (Used on MX550 Series)
2	881116BIYP	1	MOWER HOUSING (Includes Ref. Nos. 300 & 302)
3	880950AYP	1	BRACKET ASSEMBLY, Left Handle
4	880951AYP	1	BRACKET ASSEMBLY, Right Handle
6	880638YP	1	BLADE, 19 Inch
7	880567YP	1	BLADE ADAPTER ASSEMBLY
8	880671YP	1	DOOR, Rear
9	880214YP	1	ROD, Rear Door
10	880942YP	1	SPRING, Torsion Rear Door, Right
11	880941BNYP	1	FRAME ASSEMBLY (Red)
11	880941ZYP	1	FRAME ASSEMBLY (Black)
12	880938YP	1	BAG ASSEMBLY
13	880943YP	1	SPRING, Torsion Rear Door, Left
50	881108YP	1	SIDE GUARD, Right
51	881111YP	1	SIDE GUARD, Left
200	880194YP	1	WHEEL, Rear
201	880699YP	1	HUBCAP, Rear
202	880703YP	1	WHEEL, Front
203	880698YP	1	HUBCAP, Front
206	880640YP	1	CROSSBAR ASSEMBLY, Front
208	880050YP	1	BUSHING, Front Crossbar
209	881163YP	2	SPRING, Clip Crossbar
210	880791BIYP	1	LINK, Single Lever
211	880052YP	1	SPRING, Extension
213	880829BIYP	1	CROSSBAR, Rear
214	880642YP	1	SPRING, Adjuster
215	880540YP	1	LEVER, Height Adjustment
216	881059YP	1	KNOB, Adjuster
217	880960YP	1	BRACKET, Height Adjuster
300	880784BIYP	1	BAFFLE, Front, 19
301	880785YP	1	BAFFLE, Rear, 19
302	880664YP	5	SCREW, Pan Head, Taptite, 1/4-20 x 1/2
303	880804YP	5	SCREW, Pan Head, Taptite, 1/4-15 x 5/8
304	795171YP	1	SHROUD/LABEL
305	694046	2	SCREW, Hex Washer Head
800	0025X6MA	1	SCREW, Hex Head, 3/8-16 x 1
801	880034YP	1	BOLT, Blade, 3/8-24 x 2
802	1101989MA	1	WASHER, Belleville
805	880020YP	2	NUT, Nylock, M8 x 1-1/4
808	015X84MA	1	NUT, Flange, 3/8-16

### Footnotes

NOTE: \* Purchase engine parts from engine manufacturer dealer.

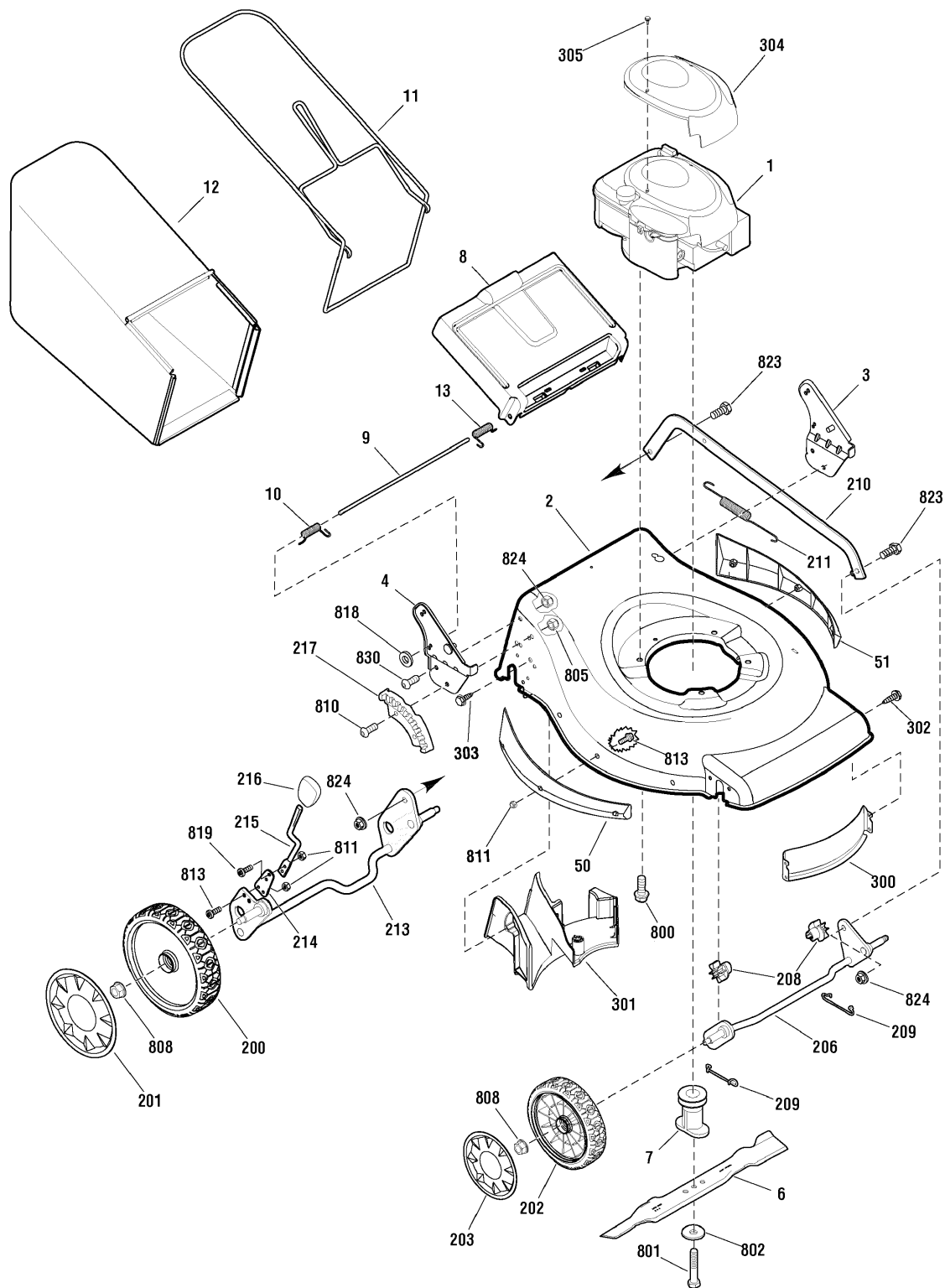
### The above parts group applies to the following Mfg. Nos.:

881023 - MX550  
881164 - MX500

## Deck & Engine Group

0001

NOTE: Unless noted otherwise,  
use the standard hardware torque  
specification chart.



The above parts group applies to the following Mfg. Nos.:

881023 - MX550

881164 - MX500



## **Deck & Engine Group**

---

<b>REF NO</b>	<b>PART NO.</b>	<b>QTY.</b>	<b>DESCRIPTION</b>
811	880428YP	1	NUT, Nylock
813	880339YP	1	SCREW, Torx Head, M5 x .8 x 14mm
818	7091020YP	2	PUSHNUT, 1/4
819	880577YP	1	SCREW, Torx Head, M5 x .8 x 12.5mm
823	880651YP	1	BOLT, Shoulder, 5/16-18 x 1
824	015X88MA	1	Nut, Flange, 5/16-18
830	48901MA	1	SCREW , 5/16-18 x 3/4
1000	700271YP	1	DECAL KIT

### **Footnotes**

NOTE: \* Purchase engine parts from engine manufacturer dealer.

---

**The above parts group applies to the following Mfg. Nos.:**

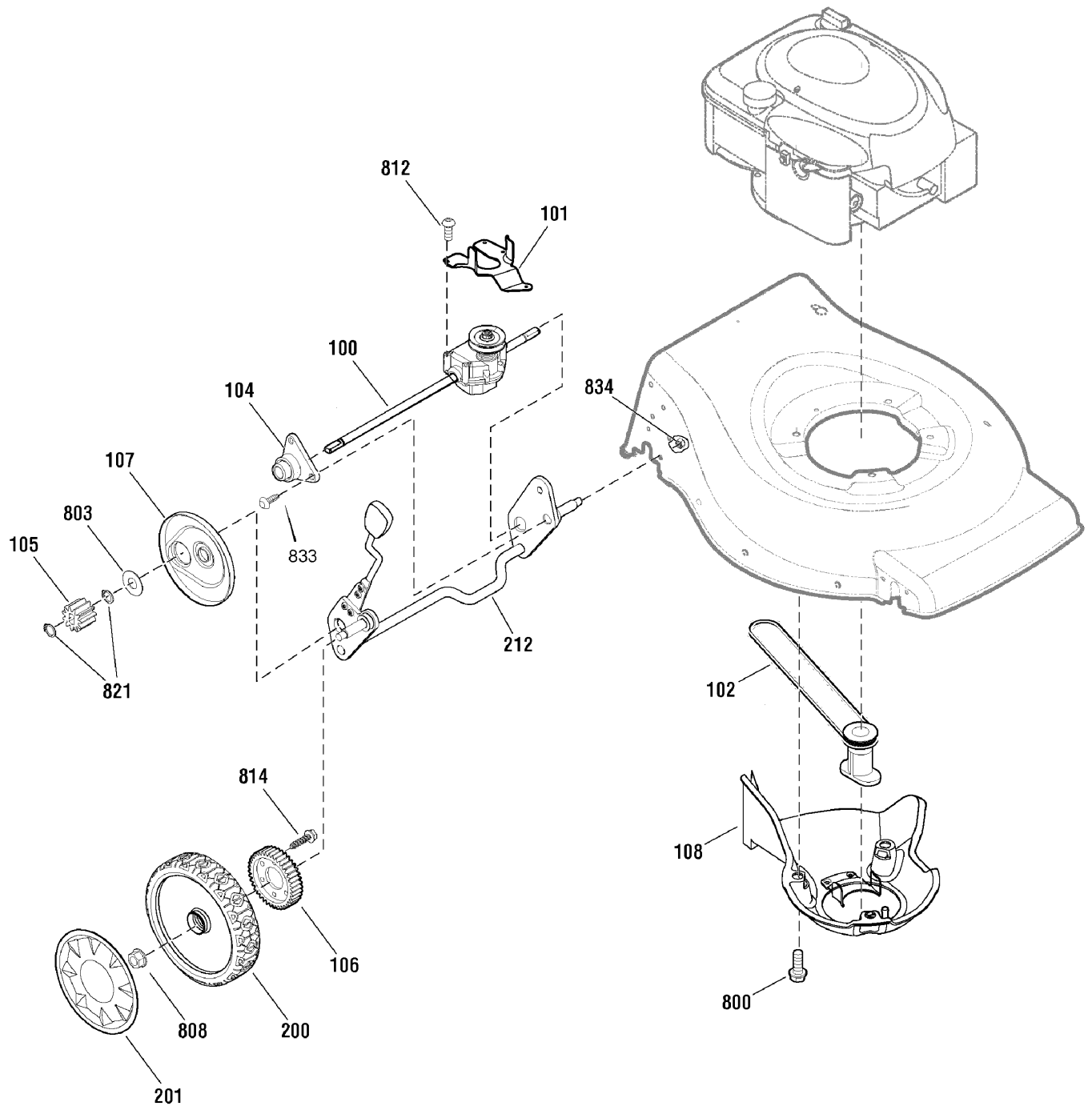
881023 - MX550

881164 - MX500

## Drive Group

NOTE: Unless noted otherwise,  
use the standard hardware torque  
specification chart.

0002



The above parts group applies to the following Mfg. Nos.:

881023 - MX550

881164 - MX500

## Drive Group

REF NO	PART NO.	QTY.	DESCRIPTION
100	880341YP	1	TRANSMISSION
101	880282YP	1	BELT GUIDE, Transmission
102	880268YP	1	V-BELT
104	880787YP	1	SLEEVE ASSEMBLY, Rear Axle
105	880226YP	1	GEAR, Pinion
106	880225YP	1	GEAR, Drive
107	880640YP	1	DUST COVER
108	880796YP	1	BELT COVER ASSEMBLY
200	880194YP	1	WHEEL, Rear
201	880699YP	1	HUBCAP, Rear
212	880829BIYP	1	CROSSBAR, Rear
800	0025X6MA	1	SCREW, Hex Head, 3/8-16 x 1
803	880324YP	1	WASHER, Thrust
808	015X84MA	1	NUT, Flange, 3/8-16
812	880760YP	1	SCREW, #10 x 1
814	26X296MA	1	SCREW, 1/4-15 x 3/4
833	880845YP	1	SCREW, Torx, 1/4-20 x 5/8
821	880269YP	1	RING, External Retaining
834	880859YP	1	NUT, Flange Lock, 1/4-20

## Footnotes

---

**The above parts group applies to the following Mfg. Nos.:**

881023 - MX550

881164 - MX500



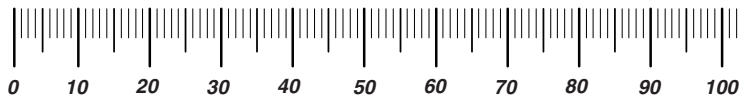




# Hardware Identification & Torque Specifications

Torque Specification Chart								
FOR STANDARD METRIC MACHINE HARDWARE (Tolerance ± 20%)								
Property Class	5.6		8.8		10.9		12.9	
	Class 5.6		Class 8.8		Class 10.9		Class 12.9	
Size Of Hardware	in/lbs		in/lbs		in/lbs		in/lbs	
	ft/lbs	Nm.	ft/lbs	Nm.	ft/lbs	Nm.	ft/lbs	Nm.
M3	5.88	.56	13.44	1.28	19.2	1.80	22.92	2.15
M4	13.44	1.28	30.72	2.90	43.44	4.10	52.56	4.95
M5	26.4	2.50	60.96	5.75	5.97	8.10	7.15	9.7
M6	44.64	4.3	7.3	9.9	10.3	14	12.1	16.5
M7	5.2	7.1	12.1	16.5	16.9	23	19.9	27
M8	7.7	10.5	17.7	24	25	34	29	40
M10	15	21	35	48	50	67	59	81
M12	26	36	61	83	86.2	117	103	140
M14	42	58	101	132	136	185	162	220
M16	64	88	147	200	210	285	250	340
M18	89	121	202	275	287	390	346	470
M20	126	171	290	390	405	550	486	660
M22	169	230	390	530	559	745	656	890
M24	217	295	497	375	708	960	840	1140
M27	320	435	733	995	1032	1400	1239	1680
M30	435	590	995	1350	1401	1900	1681	2280
M33	590	800	1349	1830	1902	2580	2278	3090
M36	759	1030	1740	2360	2441	3310	2935	3980
M39	988	1340	2249	3050	3163	4290	3798	5150

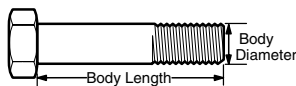
The guides and ruler furnished below are designed to help you select the appropriate hardware.



**Nut, M8**

Thread Diameter (mm)  
Inside Diameter (in)  
Threads per inch

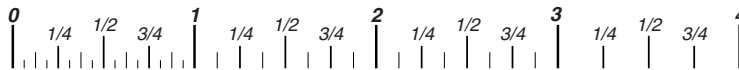
**Nut, 1/2-16**



**Screw, M8- 1.25 x 25**

Thread Diameter (mm)  
Body Diameter  
Distance between threads (mm)  
Threads per inch  
Body Length (mm)  
Body Length (in)

**Screw, 1/2- 16 x 2**



## Standard Hardware Sizing

When a washer or nut is identified as **1/2"** (M8), this is the *Nominal size*, meaning the *inside diameter* is 1/2 inch (8mm metric thread diameter); if a second number is present it represents the *threads per inch* (distance between threads).

When bolt or capscrew is identified as **1/2 - 16 x 2"** (M8 - 1.25 x 50 ), this means the *Nominal size*, or body diameter is 1/2 inch (8mm metric thread diameter), the second number, 16, represents the *threads per inch*, (*1.25 thread diameter*). The final number is the body length of the bolt or screw, 2 inches (50mm).

Torque Specification Chart						
FOR STANDARD MACHINE HARDWARE (Tolerance ± 20%)						
Hardware Grade	No Marks		SAE Grade 5		SAE Grade 8	
	SAE Grade 2		SAE Grade 5		SAE Grade 8	
Size Of Hardware	in/lbs		in/lbs		in/lbs	
	ft/lbs	Nm.	ft/lbs	Nm.	ft/lbs	Nm.
8-32	19	2.1	30	3.4	41	4.6
8-36	20	2.3	31	3.5	43	4.9
10-24	27	3.1	43	4.9	60	6.8
10-32	31	3.5	49	5.5	68	7.7
1/4-20	66	7.6	8	10.9	12	16.3
1/4-28	76	8.6	10	13.6	14	19.0
5/16-18	11	15.0	17	23.1	25	34.0
5/16-24	12	16.3	19	25.8	29	34.0
3/8-16	20	27.2	30	40.8	45	61.2
3/8-24	23	31.3	35	47.6	50	68.0
7/16-14	30	40.8	50	68.0	70	95.2
7/16-20	35	47.6	55	74.8	80	108.8
1/2-13	50	68.0	75	102.0	110	149.6
1/2-20	55	74.8	90	122.4	120	163.2
9/16-12	65	88.4	110	149.6	150	204.0
9/16-18	75	102.0	120	163.2	170	231.2
5/8-11	90	122.4	150	204.0	220	299.2
5/8-18	100	136	180	244.8	240	326.4
3/4-10	160	217.6	260	353.6	386	525.0
3/4-16	180	244.8	300	408.0	420	571.2
7/8-9	140	190.4	400	544.0	600	816.0
7/8-14	155	210.8	440	598.4	660	897.6
1-8	220	299.2	580	788.8	900	1,244.0
1-12	240	326.4	640	870.4	1,000	1,360.0

## NOTES

- These torque values are to be used for all hardware excluding: locknuts, self-tapping screws, thread forming screws, sheet metal screws and socket head setscrews.
- Recommended seating torque values for locknuts:
  - for prevailing torque locknuts - use 65% of grade 5 torques.
  - for flange whizlock nuts and screws - use 135% of grade 5 torques.
- Unless otherwise noted on assembly drawings, all torque values must meet this specification.

## Common Hardware Types

Hex Head Capscrew



Washer



Lockwasher

Carriage Bolt



Hex Nut

## Wrench & Fastener Size Guide

1/4" Bolt or Nut Wrench—7/16"	5/16" Bolt or Nut Wrench—1/2"	3/8" Bolt or Nut Wrench—9/16"	7/16" Bolt or Nut Wrench (Bolt)—5/8" Wrench (Nut)—11/16"	1/2" Bolt or Nut Wrench—3/4"
M6 Bolt or Nut Wrench—10mm	M8 Bolt or Nut Wrench—13mm	M10 Bolt or Nut Wrench—17mm	M12 Bolt or Nut Wrench—19mm	M14 Bolt or Nut Wrench—22mm

**IT IS THE POLICY OF BRIGGS & STRATTON CORP. TO IMPROVE ITS PRODUCTS  
WHENEVER IT IS POSSIBLE AND PRACTICAL TO DO SO. WE RESERVE THE RIGHT TO  
MAKE CHANGES OR ADD IMPROVEMENTS AT ANY TIME WITHOUT INCURRING ANY  
OBLIGATION TO MAKE SUCH CHANGES ON PRODUCTS.**

**Briggs & Stratton Yard Power Products Group**

---

3515 N. 124 Street / PO Box 702  
Wauwatosa, WI 53222 USA

[www.murray.com](http://www.murray.com)

© Copyright 2009 by Briggs & Stratton Corporation  
Milwaukee, WI, USA. All rights reserved