

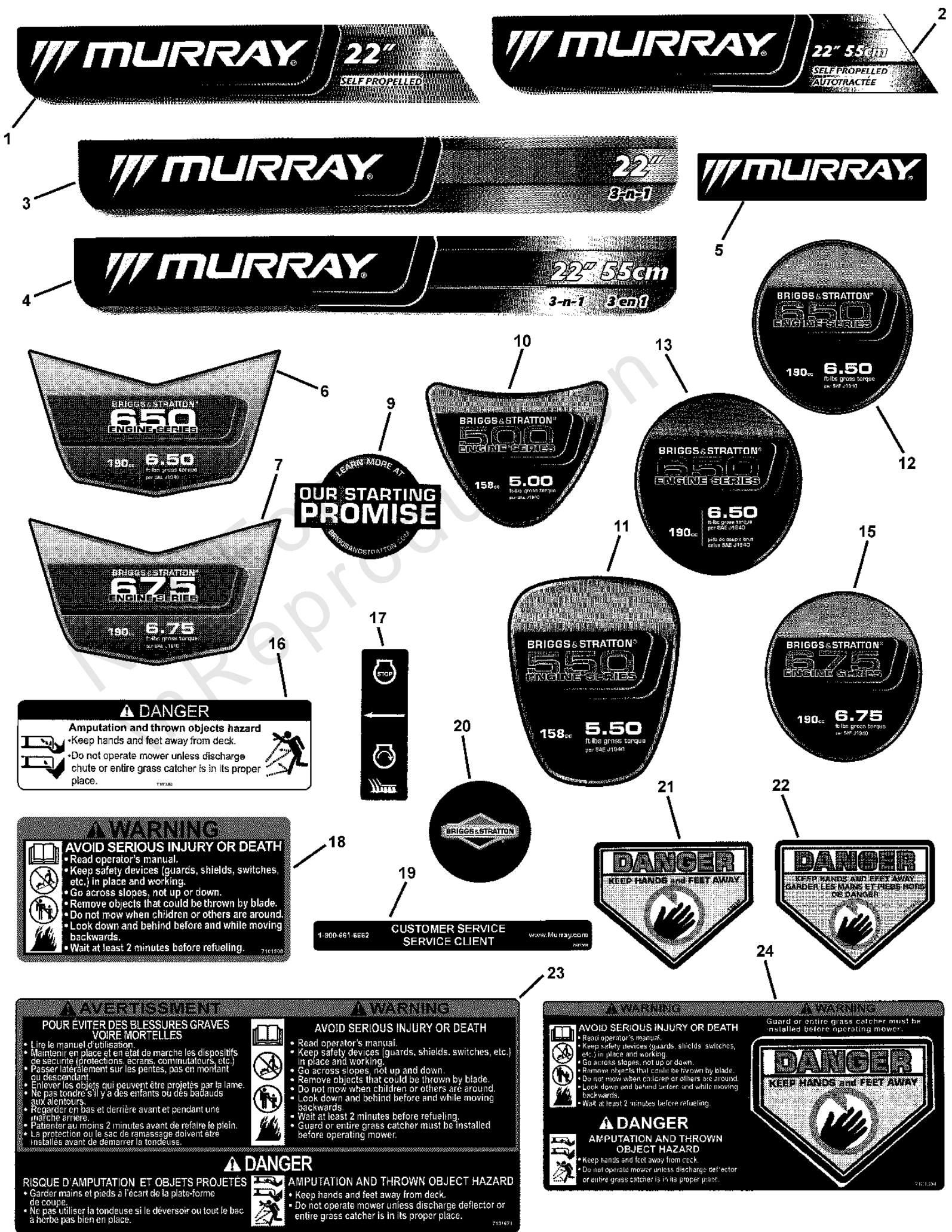


Parts Manual

Mfg. No: 7800259
M2265HWFC, 22" Walk Behind (2009)

Model Components	Page
Decals.....	4
Deck Assembly - Push, Hi-Wheel.....	6
Engine, Blade & Front Cover.....	8
Handles & Controls - Push.....	10
Torque Specification Chart.....	12

Not For
In Reproduction



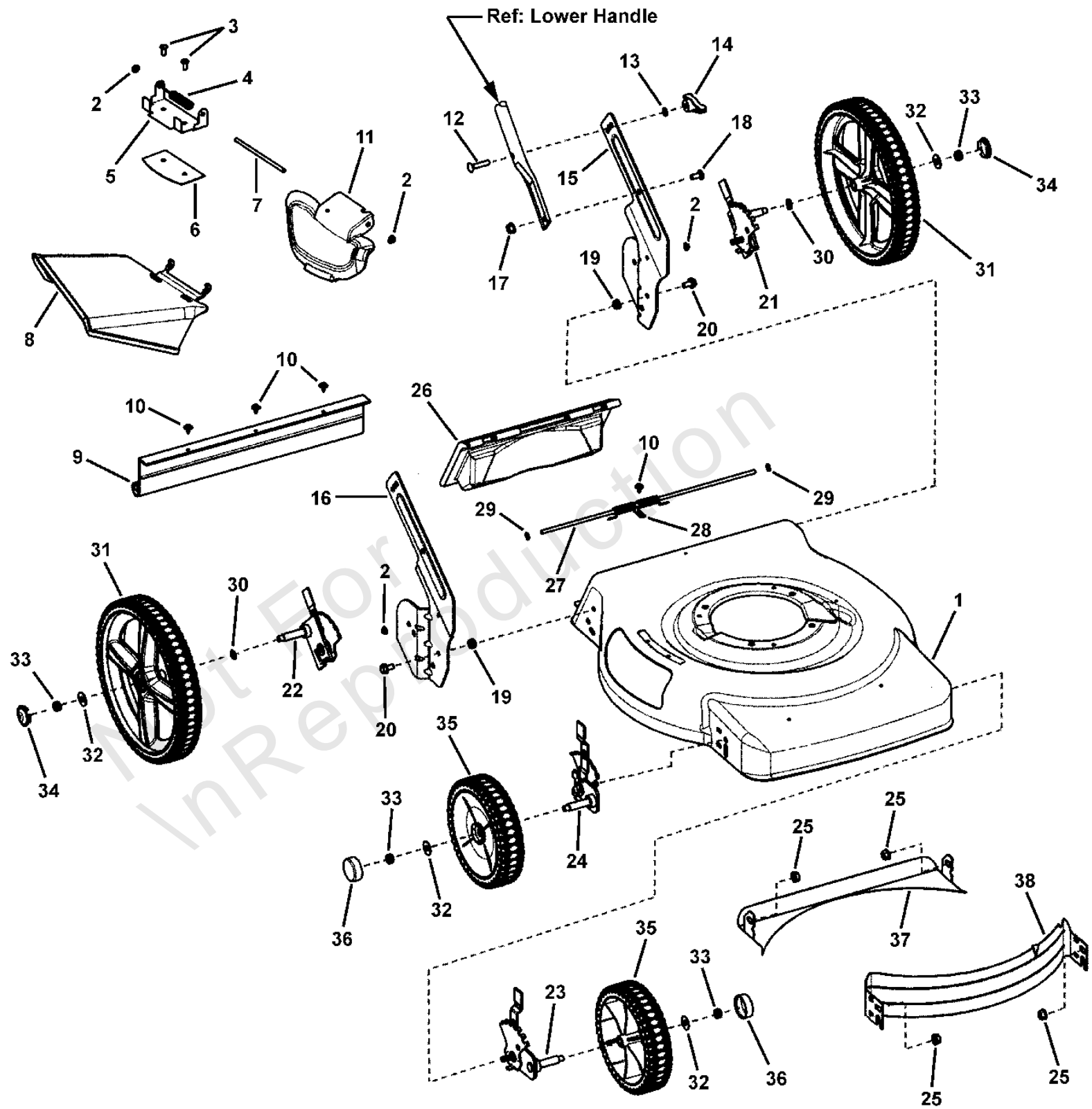
Decals

REF NO	PART NO	QTY	DESCRIPTION
1	7101932YP	1	DECAL, Murray Logo, Deck
2	7102313YP	1	DECAL, Murray Logo, Deck, SS, FC -(used on 7800260)
3	7101902YP	1	DECAL, Murray Logo, Deck
4	7102314YP	1	DECAL, Murray Logo, Deck, Push, FC -(used on 7800258)
5	7101901YP	1	DECAL, Murray Logo, Deck
6	7102268YP	1	DECAL, Engine, Murray, TP, 650, Calif. -(used on 7800241 & 7800242)
7	7102269YP	1	DECAL, Engine, Murray, TP, 675, Calif. -(used on 7800243)
8	7102270YP	1	DECAL, Engine, Murray, TP, 500 -(used on 7800239) (Not Shown)
9	277878YP	1	DECAL, Starting Promise -(used on 7800243)
10	7101930YP	1	DECAL, Engine, Murray, TP, 500
11	7101929YP	1	DECAL, Engine, Murray, TP, 550
12	7101903YP	1	DECAL, Engine, Murray, TP, 650
13	7102166YP	1	DECAL, Engine, TP, 650, Murray, FC -(used on 7800260)
14	7102272YP	1	DECAL, Engine, Murray, TP, 550, FC -(Not shown)
15	7101909YP	1	DECAL, Engine, Murray, TP, 675
16	7101110YP	1	DECAL, Danger, Deck, MY 07.5
17	7029782MA	1	DECAL, OPC Bail International Symbol
18	7101908YP	1	DECAL, Warning, Walk-Behind Mower
19	7102369YP	1	DECAL, Customer Service, Murray
21	7013010SM	1	DECAL, Danger, Cut Finger
22	7101495YP	1	DECAL, CPSC, French/English
23	7101671YP	1	DECAL, WB Safety, French/English
24	7101394YP	1	DECAL, Warning, Rear Discharge Door
--	7102167YP	1	DECAL, Engine, TP, 675, Murray, FC -(Not shown)
--	7102271YP	1	DECAL, Engine, Murray, TP, 500, FC -(Not shown)
--	7102305YP	1	DECAL, Honda, 160 GCV, FC -(Not shown)
--	7102373YP	1	DECAL, RF/EMC, Honda, P# 87629-ZG9-8012 -(Not shown)
--	7102286YP	1	DECAL, Meets CPSC Requirements -(Used on California Models) (Not Shown)

Deck Assembly - Push, Hi-Wheel

Note: Unless noted otherwise, use the standard torque specifications

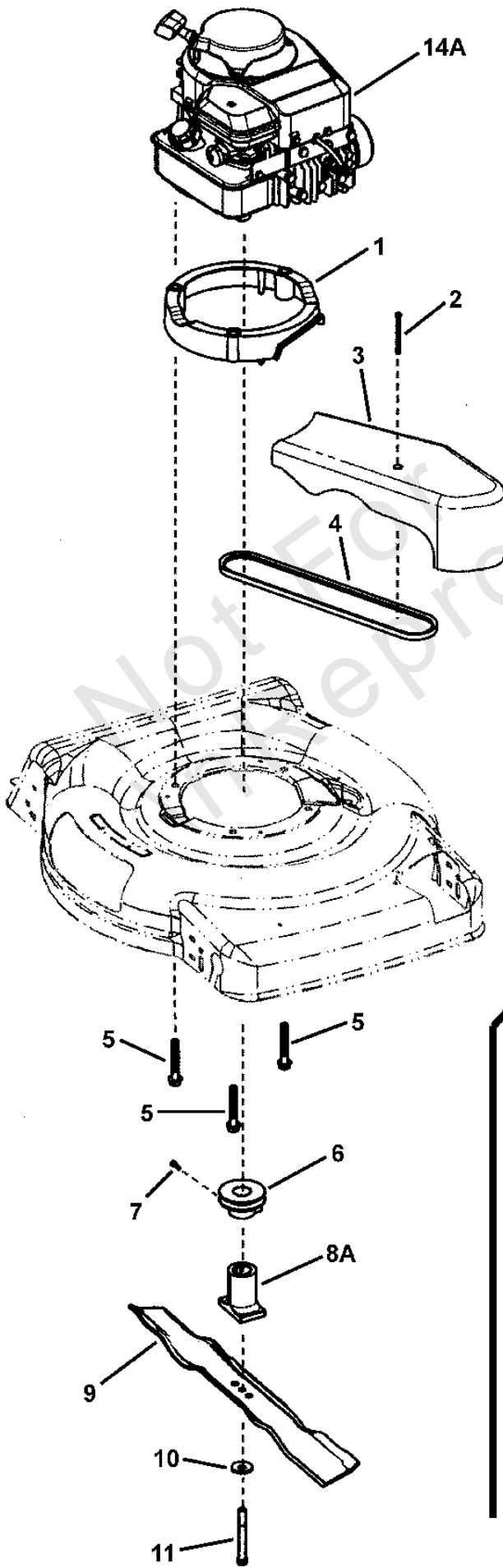
Mfg. No: 7800259



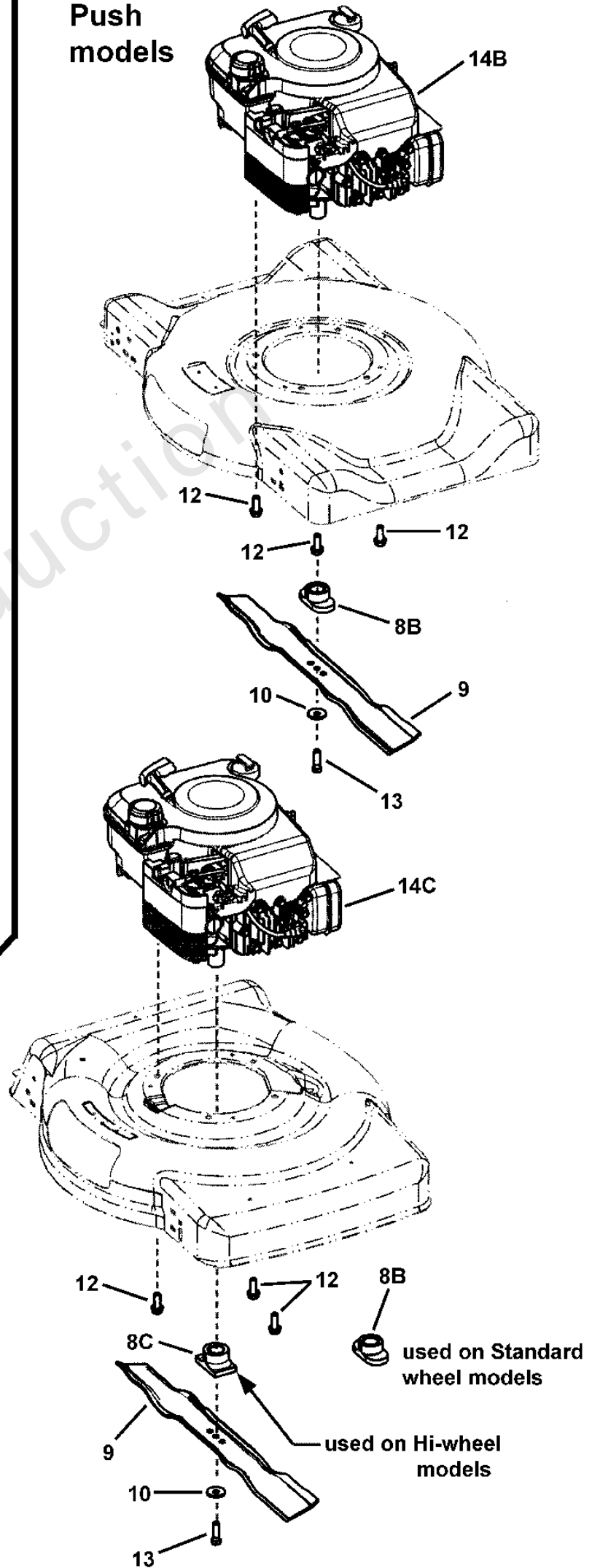
Deck Assembly - Push, Hi-Wheel

REF NO	PART NO	QTY	DESCRIPTION
1	7300401ZYP	1	DECK, 22" Walk, Push 3-N-1
2	7091020YP	4	PUSHNUT, 1/4"
3	26X217MA	3	SCREW, 1/4-20 x 11/16" Pan Head Self-Tap - Torx
4	166X38MA	1	SPRING, Chute - Torsion
5	7300855ZMA	1	BRACKET, Chute
6	7300856ZMA	1	PLATE, Mulch, 22" RB Scott's
7	215X19ZMA	1	ROD, Chute Pivot - 1/4" Dia. x 5.55"
8	1101097MA	1	SIDE CHUTE, Plastic, Black
9	672684MA	1	GUARD, Rear 22" Hi-Wheel
10	7091286YP	4	SCREW, #10-24 x 1/2" Hex Washer Self-Tap - Sems
11	1101098MA	1	COVER, Mulch, Plastic, Black
12	002X81MA	2	BOLT, 5/16-18 x 1-1/2" Square Neck Carriage
13	7090391SM	2	WASHER, 5/16" Internal Tooth Lock
14	7035744YP	2	KNOB, 5/16-18 Wing - Black
15	7300583ZMA	1	BRACKET, Lower Handle, LH, 22" WBM, Hi-Wheel
16	7300582ZMA	1	BRACKET, Lower Handle, RH, 22" WBM, Hi-Wheel
17	7090951SM	2	NUT, 5/16-18 Large Flange Center Lock
18	7090001YP	2	BOLT 5/16-18 x 3/4" Round Head Short Square Neck
19	7091585SM	4	NUT, 3/8-16 Hex Center Lock, YZ
20	7090606SM	2	BOLT, 5/16-18 x 5/8" Hex Flange Lock
21	7501066YP	1	ASSY, Height-of-Cut, Left Rear, 7 Position
22	7501065YP	1	ASSY, Height-of-Cut, Right Rear, 7 Position
23	7501064YP	1	ASSY, Height-of-Cut, Left Front, 7 Position
24	7501063YP	1	ASSY, Height-of-Cut, Right Front, 7 Position
25	7900053MA	6	NUT, 3/8-16 Hex Flange Lock, GR 5
26	1101070MA	1	DOOR, Rear Discharge, 22" Walk Mower
27	215X21MA	1	ROD, Pivot, Rear Door - 1/4" Dia. X 17-1/2"
28	7101461YP	1	SPRING, Torsion, Rear Door, 22" Walk Mower
29	028X49MA	2	CAP, Retainer
30	7026257MA	2	WASHER, .531 x .781 3-Wave
31	7500861YP	2	ASSY, Wheel, 12" x 2" Idle, NB, Murray Tread, Gray
32	17X169MA	4	WASHER, 1" O.D. x .387 I.D. Flat
33	7090585MA	2	NUT, 5/16-18 Flange Lock
34	7101392YP	2	HUBCAP, 12" Wheel, Murray Gray
35	7500860YP	2	ASSY, Wheel 8" x 2" Idle, NB Murray Tread, Gray
36	7101351MA	2	HUBCAP, Round, Black
37	7300854ZMA	1	BAFFLE, Rear, 22" Deck
38	7300440ZMA	1	BAFFLE, Front, 22" WBM

Self-propelled models



Push models



Engine, Blade & Front Cover

REF NO	PART NO	QTY	DESCRIPTION
1	7101449YP	1	** ASSY, Engine Spacer, 22" WBM, Propelled
2	26X304MA	1	SCREW, #10-24 x 2-1/2"
3	1101596MA	1	COVER, Belt, Plastic
4	7101193MA	1	BELT, Drive 22" WBM, SS (3L sect. 33.75 effective length)
5	025X11MA	3	BOLT, 3/8-16 x 2-1/2" Hex Washer Face
6	7100763MA	1	PULLEY, Engine, 22" Deck, Single Speed
7	26X303MA	1	SCREW, #8-11 x 5/8" Poly
8A	7100740YP	1	HUB, Blade, 22" Deck (self-propelled) -(used on self-propelled models)
8B	1101825MA	1	HUB, Blade, 22" Push -(used on push models with standard wheels)
8C	7100862YP	1	HUB, Blade, 22" Push -(used on push models with high-wheels)
9	7100851YP	1	BLADE, 22" Walk Mower
10	1101989MA	1	WASHER, Bellville, .38" ID x 1.183 OD
11	01X144MA	1	BOLT, 3/8-24 x 3-1/4" Hex Head, GR 8
12	7090324SM	3	SCREW, 3/8-16 x 1" Hex Washer Self-Tap
13	7090824YP	1	SCREW, 3/8-24 x 1-1/4" Hex Head Cap, GR 5
14A	124T02-0650-B3	1	* ENGINE, B&S, 650 Ser, B3, X-Spec -(used on 7800203 & 7800204)
14A	124T02-0301-B1	1	* ENGINE, B&S, 650 Ser, B1, X-Spec -(used on 7800259 & 7800260)
14A	124L02-0650-F3	1	* ENGINE, B&S, 650 Ser, F3, X-Spec -(used on 7800241 & 7800242)
14A	126T02-0675-B3	1	* ENGINE, B&S, 675 Ser, B3, X-Spec -(used on 7800205)
14A	126L02-0675-F3	1	* ENGINE, B&S, 675 Ser, F3, X-Spec -(used on 7800243)
14A	126T02-0177-B1	1	* ENGINE, B&S, 675 Ser, X-Spec, B1, FC -(used on 7800261)
14B	10T602-0114-B1	1	* ENGINE, B&S, 500 Ser, Murray, XSQ, B1 -(used on 7800201)
14B	10T602-0119-B1	1	* ENGINE, B&S 500 Series, FC -(used on 7800257 & 7800803)
14C	10T802-0144-B1	1	* ENGINE, B&S, 550 Ser, X, B3 -(used on 7800202)
14C	10T802-0155-B1	1	* ENGINE, B&S, 550 Ser, XAQ, B1 -(used on 7800258)
14C	10T802-0155-B1	1	* ENGINE, B&S, 550 Ser, FC, B1 -(used on 7800804)
14C	-----	1	* ENGINE, Honda, 160 GCV, FC (not shown) -(used on 7800369)

Footnotes:

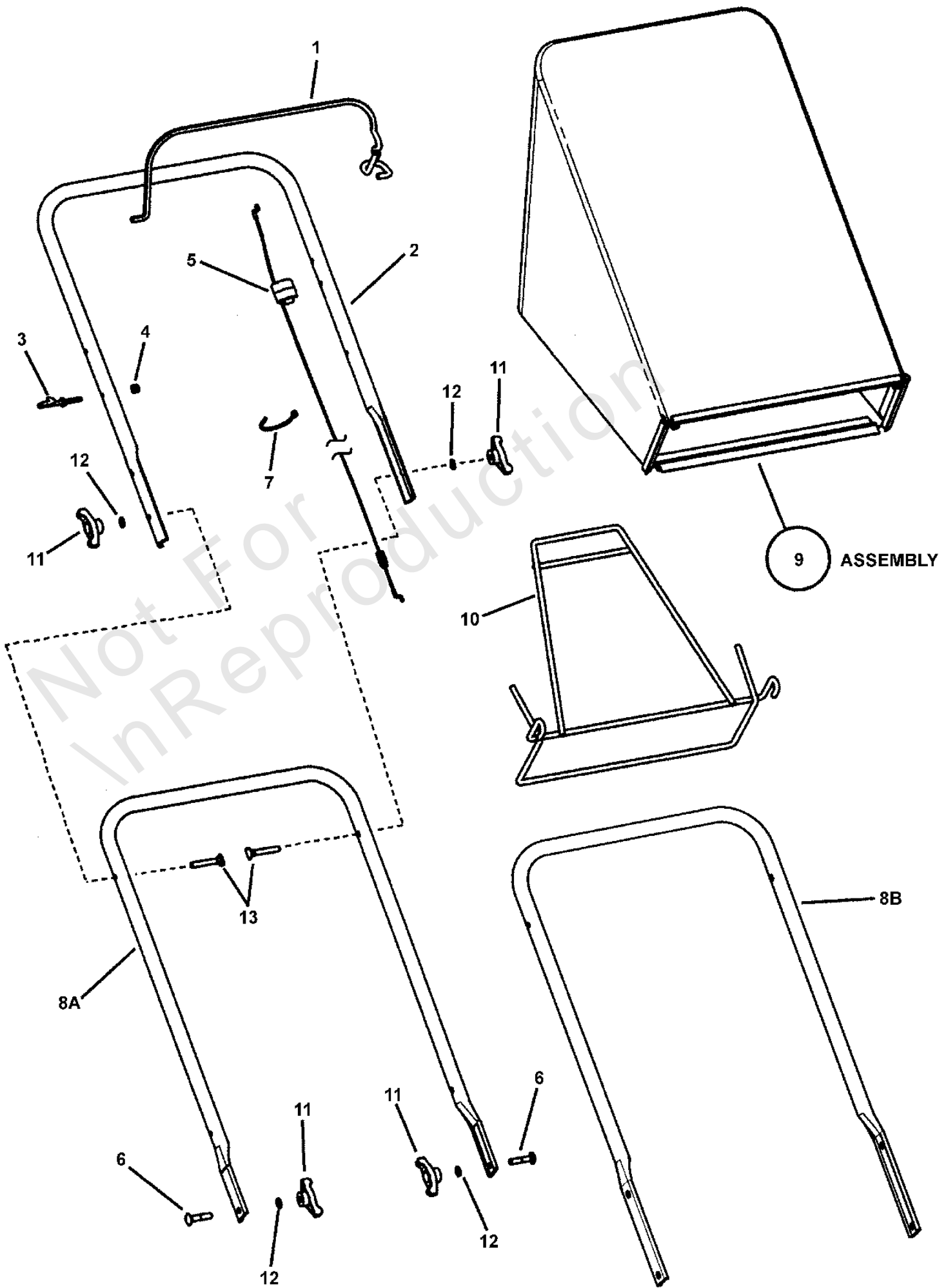
NOTE: * Purchase engine parts from engine manufacturer dealer.

Note: ** Engine Spacer Assembly includes 3 bushings, p/n 7101448.

Handles & Controls - Push

Note: Unless noted otherwise, use the standard torque specifications

Mfg. No: 7800259



Handles & Controls - Push

REF NO	PART NO	QTY	DESCRIPTION
1	7101675AYP	1	BAIL, OPC Push
2	7300705AMA	1	UPPER HANDLE, Propelled
3	071530MA	1	GUIDE, Rope (1/4-20 thread)
4	7076978SM	1	NUT, 1/4-20 Nyloc
5	7101808YP	1	CABLE, Bail, (45.00" overall length) -(used on 7800201, 7800239, 7800257 & 7800803)
5	7101330YP	1	CABLE, Bail, 22" WBM, (41.50" overall length) -(used on 7800202, 7800240, 7800258 & 7800804)
5	7100074YP	1	CABLE, Zone Control (48.60" overall length) -(used on 7800203, 7800241, 7800369 & 7800259)
6	002X81MA	2	BOLT, 5/16-18 x 1-1/2" Square Neck Carriage GR 1
6	1931337SM	2	BOLT, 5/16-18 x 1-1/2" Short Square Neck Carriage GR 5
7	7024649YP	3	WIRE TIE, 11 Inch Standard Black Nylon
8A	7300706AMA	1	HANDLE, Lower -(used on 7800202, 7800203, 7800239, 7800240, 7800241, 7800257, 7800258, 7800259 & 7800369)
8B	7301013AYP	1	HANDLE, Lower -(used on 7800201, 7800803 & 7800804)
9	7101893MA	1	ASSY, Grass Bag, Cloth (incl. next item below) -(used on 7800202, 7800258 & 7800203)
--	1101005MA	1	BAG, Cloth, Grass Bag, Murray
10	1101074MA	1	WELDMENT, Frame, Grass Bag -(used on 7800202, 7800258 & 7800203)
11	071294MA	4	KNOB, 5/16-18 Wing
12	7090391SM	4	WASHER, 5/16" Internal Tooth Lock
13	7091189YP	2	BOLT, 5/16-18 x 2" Curved Head Square Neck GR 2

Hardware Identification & Torque Specifications

Torque Specification Chart								
FOR STANDARD METRIC MACHINE HARDWARE (Tolerance ± 20%)								
Property Class	5.6		8.8		10.9		12.9	
	Class 5.6		Class 8.8		Class 10.9		Class 12.9	
Size Of Hardware	in/lbs	Nm.	in/lbs	Nm.	in/lbs	Nm.	in/lbs	Nm.
	ft/lbs		ft/lbs		ft/lbs		ft/lbs	
M3	5.88	.56	13.44	1.28	19.2	1.80	22.92	2.15
M4	13.44	1.28	30.72	2.90	43.44	4.10	52.56	4.95
M5	26.4	2.50	60.96	5.75	5.97	8.10	7.15	9.7
M6	44.64	4.3	7.3	9.9	10.3	14	12.1	16.5
M7	5.2	7.1	12.1	16.5	16.9	23	19.9	27
M8	7.7	10.5	17.7	24	25	34	29	40
M10	15	21	35	48	50	67	59	81
M12	26	36	61	83	86.2	117	103	140
M14	42	58	101	132	136	185	162	220
M16	64	88	147	200	210	285	250	340
M18	89	121	202	275	287	390	346	470
M20	126	171	290	390	405	550	486	660
M22	169	230	390	530	559	745	656	890
M24	217	295	497	375	708	960	840	1140
M27	320	435	733	995	1032	1400	1239	1680
M30	435	590	995	1350	1401	1900	1681	2280
M33	590	800	1349	1830	1902	2580	2278	3090
M36	759	1030	1740	2360	2441	3310	2935	3980
M39	988	1340	2249	3050	3163	4290	3798	5150

Torque Specification Chart						
FOR STANDARD MACHINE HARDWARE (Tolerance ± 20%)						
Hardware Grade	No Marks		SAE Grade 5		SAE Grade 8	
	SAE Grade 2		SAE Grade 5		SAE Grade 8	
Size Of Hardware	in/lbs	Nm.	in/lbs	Nm.	in/lbs	Nm.
	ft/lbs		ft/lbs		ft/lbs	
8-32	19	2.1	30	3.4	41	4.6
8-36	20	2.3	31	3.5	43	4.9
10-24	27	3.1	43	4.9	60	6.8
10-32	31	3.5	49	5.5	68	7.7
1/4-20	66	7.6	8	10.9	12	16.3
1/4-28	76	8.6	10	13.6	14	19.0
5/16-18	11	15.0	17	23.1	25	34.0
5/16-24	12	16.3	19	25.8	29	34.0
3/8-16	20	27.2	30	40.8	45	61.2
3/8-24	23	31.3	35	47.6	50	68.0
7/16-14	30	40.8	50	68.0	70	95.2
7/16-20	35	47.6	55	74.8	80	108.8
1/2-13	50	68.0	75	102.0	110	149.6
1/2-20	55	74.8	90	122.4	120	163.2
9/16-12	65	88.4	110	149.6	150	204.0
9/16-18	75	102.0	120	163.2	170	231.2
5/8-11	90	122.4	150	204.0	220	299.2
5/8-18	100	136	180	244.8	240	326.4
3/4-10	160	217.6	260	353.6	386	525.0
3/4-16	180	244.8	300	408.0	420	571.2
7/8-9	140	190.4	400	544.0	600	816.0
7/8-14	155	210.8	440	598.4	660	897.6
1-8	220	299.2	580	788.8	900	1,244.0
1-12	240	326.4	640	870.4	1,000	1,360.0

The guides and ruler furnished below are designed to help you select the appropriate hardware.

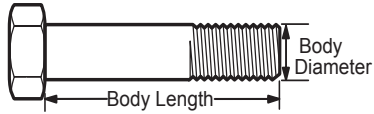


Nut, M8

Thread Diameter (mm)

Inside Diameter (in) Threads per inch

Nut, 1/2-16

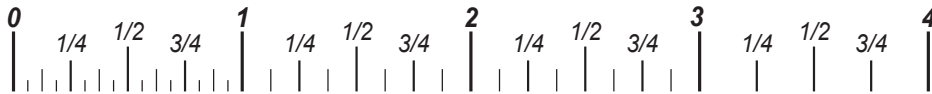


Screw, M8- 1.25 x 25

Thread Diameter (mm) Distance between threads (mm) Body Length (mm)

Body Diameter Threads per inch Body Length (in)

Screw, 1/2- 16 x 2



Standard Hardware Sizing

When a washer or nut is identified as 1/2" (M8), this is the *Nominal size*, meaning the *inside diameter* is 1/2 inch (8mm metric thread diameter); if a second number is present it represents the *threads per inch* (distance between threads).

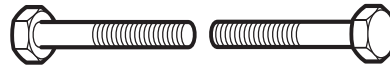
When bolt or capscrew is identified as 1/2 - 16 x 2" (M8 - 1.25 x 50), this means the *Nominal size*, or body diameter is 1/2 inch (8mm metric thread diameter), the second number, 16, represents the *threads per inch*, (*distance between threads*). The final number is the body length of the bolt or screw, 2 inches (50mm).

NOTES

- These torque values are to be used for all hardware excluding: locknuts, self-tapping screws, thread forming screws, sheet metal screws and socket head setscrews.
- Recommended seating torque values for locknuts:
 - for prevailing torque locknuts - use 65% of grade 5 torques.
 - for flange whizlock nuts and screws - use 135% of grade 5 torques.
- Unless otherwise noted on assembly drawings, all torque values must meet this specification.

Common Hardware Types

Hex Head Capscrew



Washer



Carriage Bolt



Hex Nut

Wrench & Fastener Size Guide

1/4" Bolt or Nut Wrench—7/16"	5/16" Bolt or Nut Wrench—1/2"	3/8" Bolt or Nut Wrench—9/16"	7/16" Bolt or Nut Wrench (Bolt)—5/8" Wrench (Nut)—11/16"	1/2" Bolt or Nut Wrench—3/4"
M6 Bolt or Nut Wrench—10mm	M8 Bolt or Nut Wrench—13mm	M10 Bolt or Nut Wrench—17mm	M12 Bolt or Nut Wrench—19mm	M14 Bolt or Nut Wrench—22mm

