

Parts Manual

Mfg. No: 7600212
Catcher, Single Bag

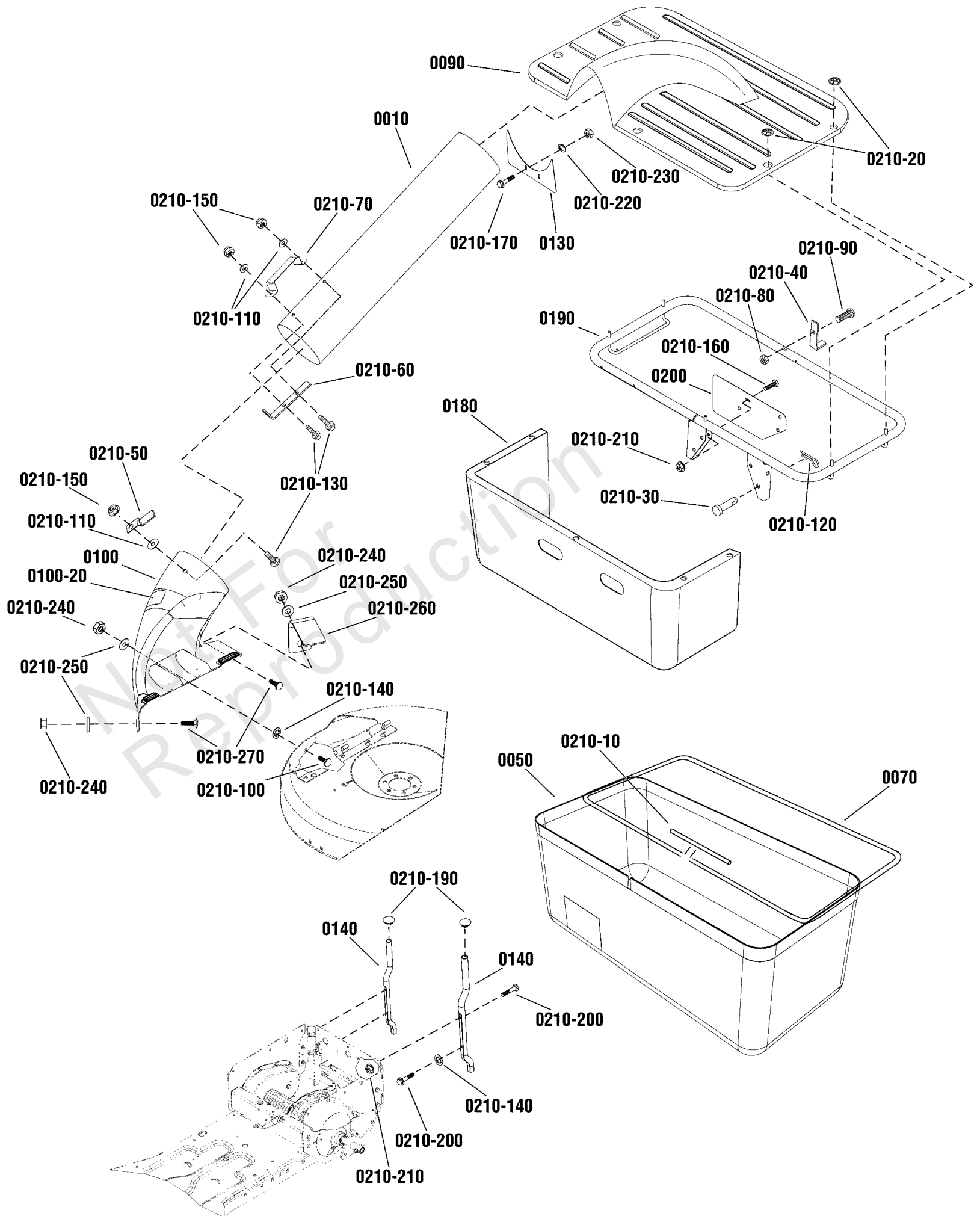
Model Components	Page
Single Catcher.....	4
Torque Specification Chart.....	6

Not For
Reproduction

Single Catcher

Note: Unless noted otherwise, use the standard torque specifications

Mfg. No: 7600212



Single Catcher

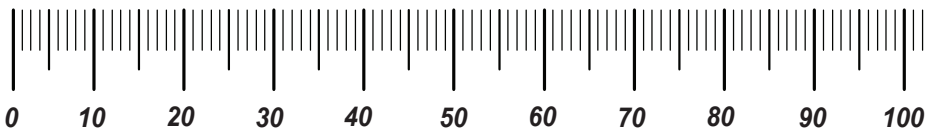
REF NO	PART NO	QTY	DESCRIPTION
0010	7027915YP	1	Tube, Grass
0050	7019251YP	1	Bag, Grass
0070	7057248YP	1	ROD, Bag
0090	7104012YP	1	TOP, Grass Container
0100	7105617YP	1	DECK ADAPTER ASSEMBLY
0100-20	7046720SM	1	DECAL, Warning
0130	7063287BMYP	1	SHIELD, Grass Catcher
0140	7030798BMYP	2	BUMPER
0180	7106050YP	1	SKIRT, Bagger Dust
0190	7400336BMYP	1	FRAME, Bagger
0200	7301376YP	1	SHIELD, Heat
--	7503202	1	HARDWARE BAG -(Not a serviceable part)
0210-10	7012556YP	1	CONNECTOR, 1/2 X 3
0210-20	7029840YP	5	PALNUT, 5/16
0210-30	704029	2	PIN, Clevis, 5/16 X 1.68
0210-40	7031725YP	1	LATCH
0210-50	7031951YP	1	LATCH, Chute
0210-60	7031952YP	1	BASE, Handle Tube
0210-70	7037745YP	1	HANDLE, Tube
0210-80	703937	1	NUT, Ny Lock, #10-32
0210-90	7090532YP	1	SCREW, Machined 10F X 1 3/8 GR2
0210-100	703185	1	BOLT, Carriage, 5/16-18 X 3/4
0210-110	703462	3	WASHER, Internal Tooth, 1/4
0210-120	703300	2	PIN, Hair, 3/32 X 1.6
0210-130	703576	3	BOLT, Carriage, Short Neck, 1/4-20 X 3/4 GR5
0210-140	703297	3	RETAINER, Pushnut, 5/16 X 5/8
0210-150	703127	3	NUT, Hex, 1/4-20, GR5
0210-160	7090534YP	2	CAPSCREW, HexHead, 5/16 X 1/2, GR5
0210-170	7090909YP	2	CAPSCREW, HexHead, 1/4-20 X 1 1/2, GR5
0210-190	7010153YP	2	CAP, BUMPER
0210-200	1733689SM	4	SCRE, Hex, 5/16 -18 X 1 1/2
0210-210	703409	4	NUT, 5/16-18, Serrated Lock Flange, GR5
0210-220	703332	2	WASHER, 1/4, Flat, GR5
0210-230	7091705SM	2	NUT, Lock, 1/4
0210-240	703902	3	NUT, HEX Nylock, 5/16-18
0210-250	703298	3	WASHER, Flat, 5/16
0210-260	7301385BMYP	1	BRACKET, Mounting
0210-270	703800	2	BOLT, Carriage, Short Neck, 5/16-18 x 1

Hardware Identification & Torque Specifications

Torque Specification Chart								
FOR STANDARD METRIC MACHINE HARDWARE (Tolerance ± 20%)								
Property Class	5.6		8.8		10.9		12.9	
	Class 5.6		Class 8.8		Class 10.9		Class 12.9	
Size Of Hardware	in/lbs	Nm.	in/lbs	Nm.	in/lbs	Nm.	in/lbs	Nm.
	ft/lbs		ft/lbs		ft/lbs		ft/lbs	
M3	5.88	.56	13.44	1.28	19.2	1.80	22.92	2.15
M4	13.44	1.28	30.72	2.90	43.44	4.10	52.56	4.95
M5	26.4	2.50	60.96	5.75	5.97	8.10	7.15	9.7
M6	44.64	4.3	7.3	9.9	10.3	14	12.1	16.5
M7	5.2	7.1	12.1	16.5	16.9	23	19.9	27
M8	7.7	10.5	17.7	24	25	34	29	40
M10	15	21	35	48	50	67	59	81
M12	26	36	61	83	86.2	117	103	140
M14	42	58	101	132	136	185	162	220
M16	64	88	147	200	210	285	250	340
M18	89	121	202	275	287	390	346	470
M20	126	171	290	390	405	550	486	660
M22	169	230	390	530	559	745	656	890
M24	217	295	497	375	708	960	840	1140
M27	320	435	733	995	1032	1400	1239	1680
M30	435	590	995	1350	1401	1900	1681	2280
M33	590	800	1349	1830	1902	2580	2278	3090
M36	759	1030	1740	2360	2441	3310	2935	3980
M39	988	1340	2249	3050	3163	4290	3798	5150

Torque Specification Chart						
FOR STANDARD MACHINE HARDWARE (Tolerance ± 20%)						
Hardware Grade	No Marks		SAE Grade 5		SAE Grade 8	
	SAE Grade 2		SAE Grade 5		SAE Grade 8	
Size Of Hardware	in/lbs	Nm.	in/lbs	Nm.	in/lbs	Nm.
	ft/lbs		ft/lbs		ft/lbs	
8-32	19	2.1	30	3.4	41	4.6
8-36	20	2.3	31	3.5	43	4.9
10-24	27	3.1	43	4.9	60	6.8
10-32	31	3.5	49	5.5	68	7.7
1/4-20	66	7.6	8	10.9	12	16.3
1/4-28	76	8.6	10	13.6	14	19.0
5/16-18	11	15.0	17	23.1	25	34.0
5/16-24	12	16.3	19	25.8	29	34.0
3/8-16	20	27.2	30	40.8	45	61.2
3/8-24	23	31.3	35	47.6	50	68.0
7/16-14	30	40.8	50	68.0	70	95.2
7/16-20	35	47.6	55	74.8	80	108.8
1/2-13	50	68.0	75	102.0	110	149.6
1/2-20	55	74.8	90	122.4	120	163.2
9/16-12	65	88.4	110	149.6	150	204.0
9/16-18	75	102.0	120	163.2	170	231.2
5/8-11	90	122.4	150	204.0	220	299.2
5/8-18	100	136	180	244.8	240	326.4
3/4-10	160	217.6	260	353.6	386	525.0
3/4-16	180	244.8	300	408.0	420	571.2
7/8-9	140	190.4	400	544.0	600	816.0
7/8-14	155	210.8	440	598.4	660	897.6
1-8	220	299.2	580	788.8	900	1,244.0
1-12	240	326.4	640	870.4	1,000	1,360.0

The guides and ruler furnished below are designed to help you select the appropriate hardware.

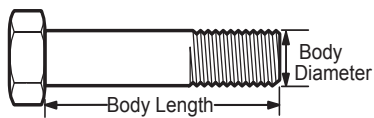


Nut, M8

Thread Diameter (mm)

Inside Diameter (in) Threads per inch

Nut, 1/2-16

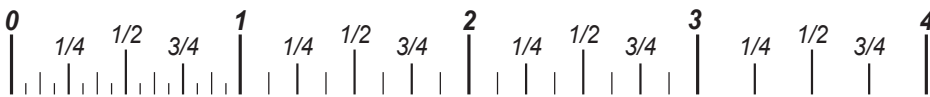


Screw, M8- 1.25 x 25

Thread Diameter (mm) Distance between threads (mm) Body Length (mm)

Body Diameter Threads per inch Body Length (in)

Screw, 1/2- 16 x 2



Standard Hardware Sizing

When a washer or nut is identified as 1/2" (M8), this is the *Nominal size*, meaning the *inside diameter* is 1/2 inch (8mm metric thread diameter); if a second number is present it represents the *threads per inch* (distance between threads).

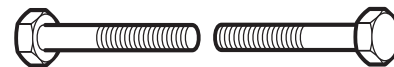
When bolt or capscrew is identified as 1/2 - 16 x 2" (M8 - 1.25 x 50), this means the *Nominal size*, or body diameter is 1/2 inch (8mm metric thread diameter), the second number, 16, represents the *threads per inch*, (*distance between threads*). The final number is the body length of the bolt or screw, 2 inches (50mm).

NOTES

- These torque values are to be used for all hardware excluding: locknuts, self-tapping screws, thread forming screws, sheet metal screws and socket head setscrews.
- Recommended seating torque values for locknuts:
 - for prevailing torque locknuts - use 65% of grade 5 torques.
 - for flange whizlock nuts and screws - use 135% of grade 5 torques.
- Unless otherwise noted on assembly drawings, all torque values must meet this specification.

Common Hardware Types

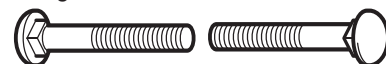
Hex Head Capscrew



Washer



Carriage Bolt



Hex Nut

Wrench & Fastener Size Guide

1/4" Bolt or Nut Wrench—7/16"	5/16" Bolt or Nut Wrench—1/2"	3/8" Bolt or Nut Wrench—9/16"	7/16" Bolt or Nut Wrench (Bolt)—5/8" Wrench (Nut)—11/16"	1/2" Bolt or Nut Wrench—3/4"
M6 Bolt or Nut Wrench—10mm	M8 Bolt or Nut Wrench—13mm	M10 Bolt or Nut Wrench—17mm	M12 Bolt or Nut Wrench—19mm	M14 Bolt or Nut Wrench—22mm

