

*Parts Manual for*  
**SNAPPER®**

**REAR ENGINE RIDER  
SERIES 23**



3013523BVE Shown

**MODEL**

281023BVE (84871)  
281123BV (7800102)  
281123BV (84872)  
281123BV (84940)  
281123BVE (84874)  
281123HVE (84883)  
2811523BV (7084940)  
281223BVE (85622)  
2812523BVE (7085622)  
2812523BVE (7800104)  
281323BVE (84876)  
2813523BVE (7085624)  
2813523BVE (85624)  
301123BV (84873)  
301123BV (84941)  
3011523BV (7800103)  
301223BVE (85623)  
3012523BVE (7085623)  
3012523BVE (7800105)  
301323BVE (84877)  
3013523BVE (7085625)  
3013523BVE (85625)  
331323HVE (84885)  
331523BVE (84878)  
331523KVE (7084879)  
331523KVE (7800106)  
331523KVE (84879)  
331623BVE (84954)  
331723BVE (7084954)  
331723BVE (7800107)  
W280923BV (84881)  
W281023BVE (84884)  
W301023BVE (84882)

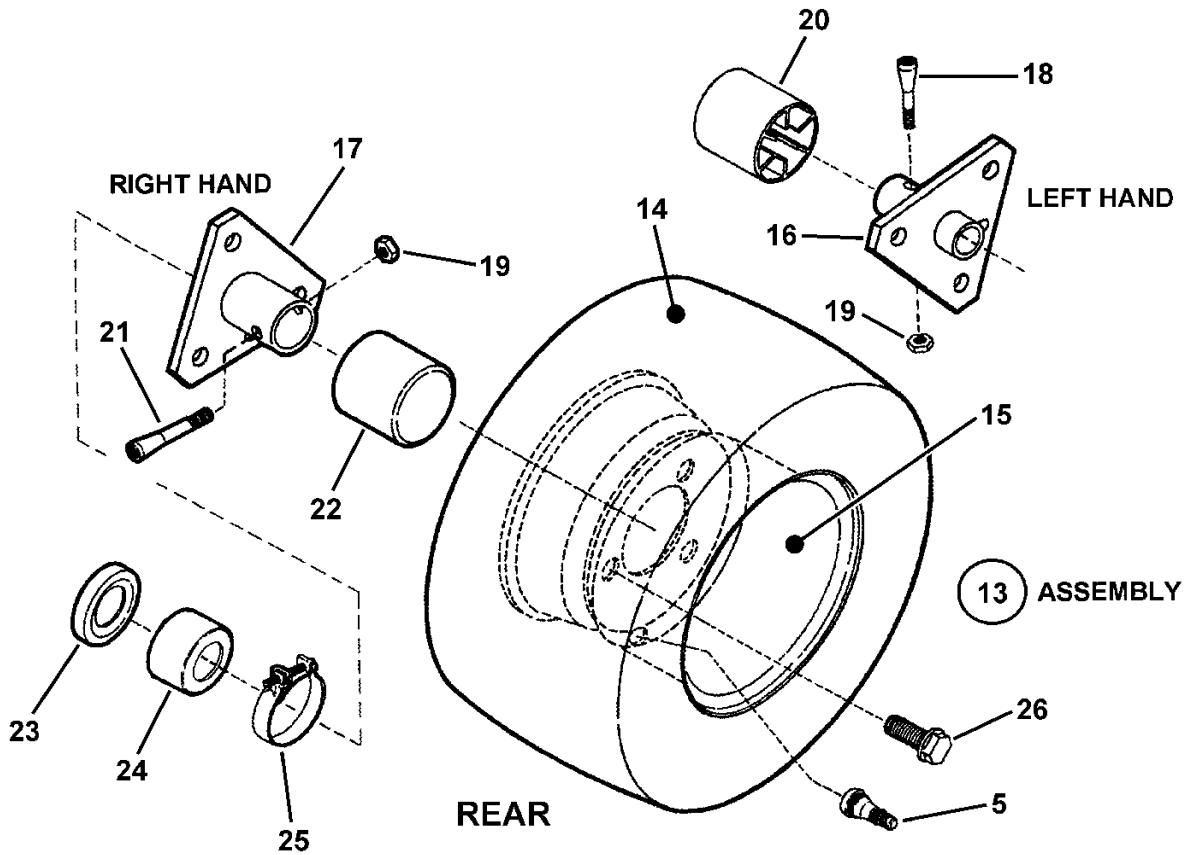
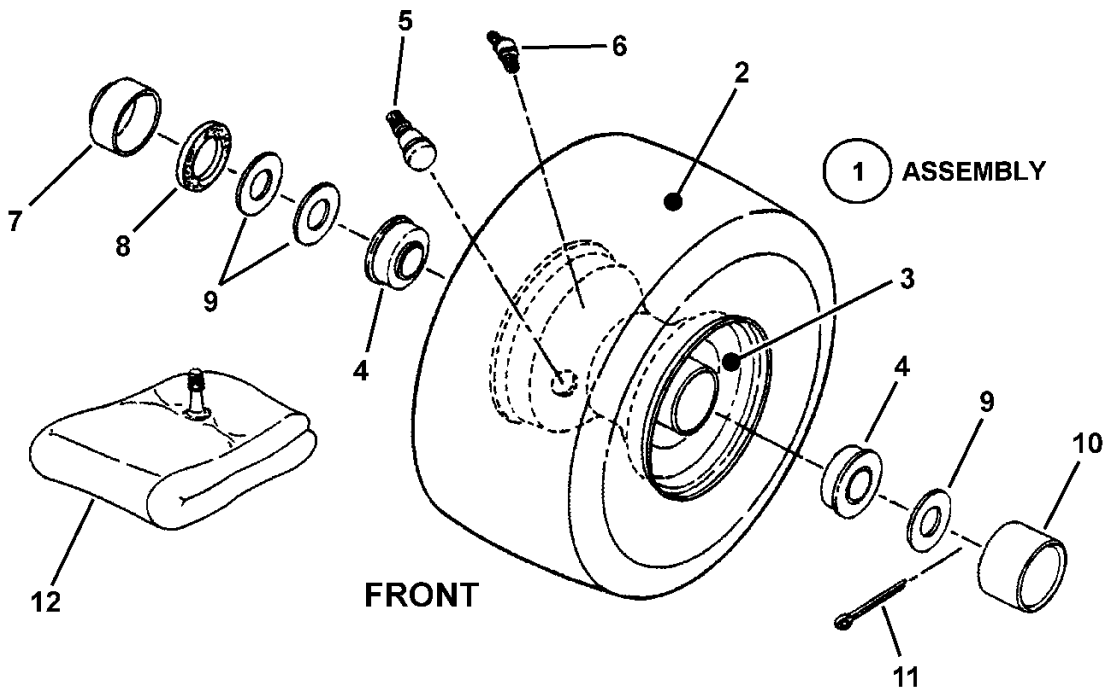
**SNAPPER®**

McDonough, GA, 30253 U.S.A.



<b>PAGE</b>	<b>GROUP</b>
4	WHEELS- FRONT & REAR
6	FRONT END, STEERING
10	MAIN CASE & L.H. FENDER
14	LEFT HAND FENDER & BEARING
16	DIFFERENTIAL, R. H. FENDER
20	YOKE LIFT COMPONENTS
22	PRIMARY CHAIN CASE & SMOOTH CLUTCH
24	GEAR SHIFTER ASSEMBLY
26	FUEL TANK & SEAT
28	ENGINE, MUFFLER, DRIVE DISC
30	CUTTING DECKS, DEFLECTOR (28" & 33" Hi-Vac)
34	30" CUTTING DECK, DEFLECTOR
36	BELTS, BRAKES, INTERLOCK
40	RAILS, LIFT ARMS, CAM LIFT
44	BLADE STOP PEDALS
46	SPINDLE
48	DECALS
50	ELECTRICAL SYSTEMS (For 9, 11 & 11.5HP Briggs Recoil)
52	ELECTRICAL SYSTEMS (For 10, 11, 12, 12.5 & 13HP Briggs)
54	ELECTRICAL SYSTEMS (For 13.5, 15, 16 & 17HP Briggs)
56	ELECTRICAL SYSTEMS (For 11 & 13HP Honda)
58	ELECTRICAL SYSTEMS (For 15HP Kohler)
60	ELECTRICAL SYSTEMS (Briggs Magneto Ground)
62	ELECTRICAL SYSTEMS (Kohler Magneto Ground)
64	WIRING SCHEMATIC (9, 11 & 11.5HP Recoil Start Briggs)
66	WIRING SCHEMATIC (10, 11, 12, 12.5 & 13 HP Briggs)
68	WIRING SCHEMATIC (13.5, 15, 16 & 17 HP Briggs Engines)
70	WIRING SCHEMATIC (11 & 13 HP Honda Engines)
72	WIRING SCHEMATIC (14 & 15 HP Kohler Engines)
74	HARDWARE BAGS
78	ACCESSORIES & ATTACHMENTS

**WHEELS- FRONT & REAR**

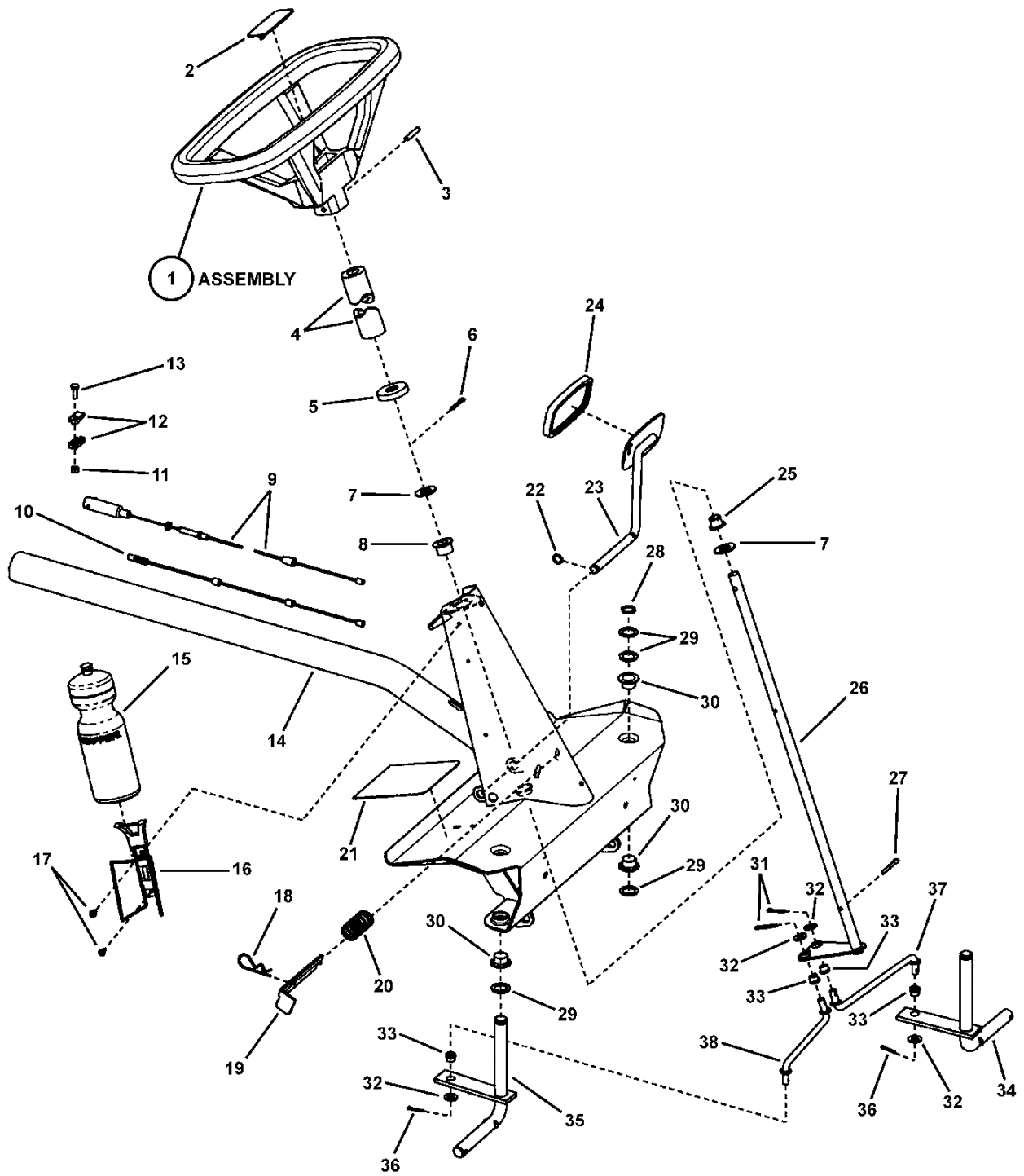


## WHEELS- FRONT & REAR

Item	Part No	Qty	Description	Note
1	7058943	2	ASSEMBLY, Front Tire & Rim (Complete)	<i>(Includes Items 2, 3, 4, 5 &amp; 6)</i>
2	7073563	1	TIRE, 11 x 4.00-4 (Kenda)	
3	7017146	1	RIM (For 4.10/3.50 x 4 Tire)	
4	7011807	2	BALL BEARING, Flange (3/4" I.D.)	
5	7012234	1	VALVE STEM, Snap In	
6	7014669	1	LUBE Fitting	
7	7031038	1	CAP, Dust	
8	7011032	1	FELT SEAL	
9	7010935	3	WASHER, .77 x 1.13 x .06 Flat	
10	7011022	1	HUB CAP	
11	7091516	1	COTTER PIN, 5/32 x 1"	
12	7010821	1	TUBE, Inner (For 4.10/3.50 x 4 Tire)	
13	7058951	2	ASSEMBLY, Rear Tire & Rim (28", 30", 33" Models)	<i>(Includes Items 5, 14 &amp; 15)</i>
14	7073584	1	TIRE, 16-6.50 x 8	
15	7017147	1	RIM, Extra Wide (For 16/7.50 x 8 Tire) (33" Models)	
16	7040434	1	HUB, Rear Wheel L. H. (Weldment)	
17	7040433	1	HUB, Rear Wheel R. H. (Weldment)	
18	7011035	1	AXLE BOLT, Left Hand (5/16-24 x 1-5/8" Tapered)	
19	7011201	1	NUT, Wheel Bolt, 5/16-24 Hex Center Lock	
20	7023522	1	CAP, Hub, L. H. (Long Axle)	
21	7011013	1	WHEEL BOLT, Right Hand (5/16-24 x 2" Tapered)	
22	7023895	1	CAP, Hub	
23	7011817	1	SEAL, 1.22" ID x 1.875" OD	
24	7031732	1	CAP, Seal 1.0" ID x 1.67" OD, Right Hand (Shown)	<i>(8 &amp; 10 HP)</i>
25	7012332	1	CLAMP, Right Hand 2"	<i>(used on 8, 10, 11.5, 12.5, 13 &amp; 17 HP)</i>
25	7014542	1	CLAMP, Right Hand 2.69"	<i>(used on 12, 14 &amp; 15 HP)</i>
26	7091502	3	BOLT, 1/2-20 x 3/4" Lug, GR 5	

### Footnotes:

# FRONT END, STEERING

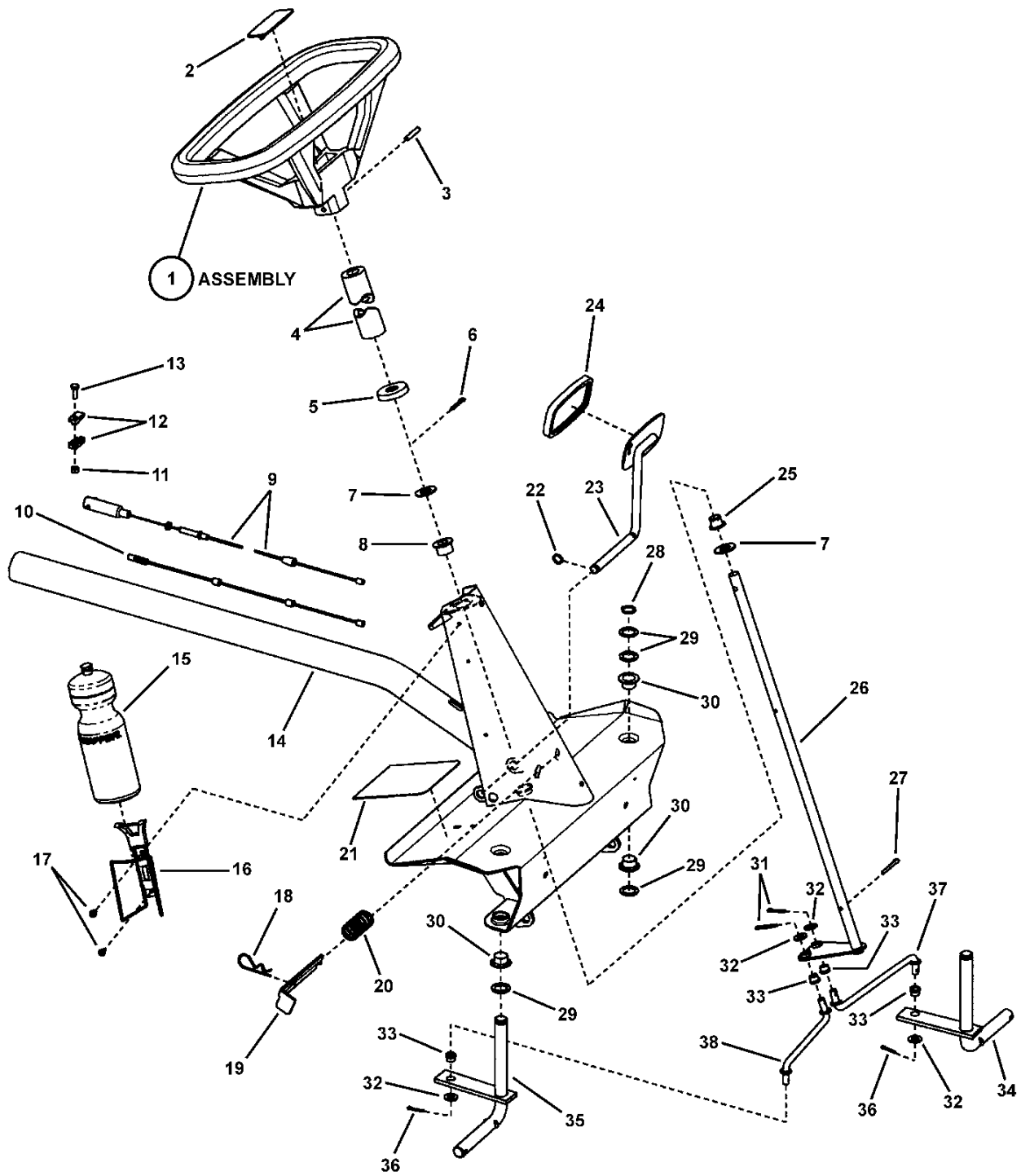


## FRONT END, STEERING

Item	Part No	Qty	Description	Note
1	7058030	1	ASSEMBLY, Steering Wheel (for 5/8" shaft)	<i>Includes item 2</i>
2	7023781	1	LOGO, Steering Wheel	
3	7013862	1	ROLL PIN, 1/4 x 1-1/2"	
4	7023667	1	FOAM COVER, Steering Shaft	
5	7023671	1	COVER, Steering Shaft	
6	7090296	1	PIN, 3/16 x 1" Cotter	
7	7090183	2	WASHER, .66 x 1.31 x .09 Flat	
8	7046158	1	BUSHING, Nylon	
9	7101192	1	CABLE, Brake, Snap-In	<i>replaces 7072648 (voided)</i>
10	7022449	1	CABLE, Clutch/Brake (54.32" long)	<i>used on 25", 28" &amp; 30" Decks</i>
10	7074131	1	CABLE, Clutch/Brake (55" long)	<i>used on 33" &amp; 42" Decks</i>
11	7090372	1	NUT, 1/4-20 Hex Center Lock, GR 5 or B	
12	7034174	2	CONNECTOR, Cable	
13	7091495	1	SCREW, 1/4-20 x 3/4" Hex Head Cap, GR 5	
14	7054378	1	WELDMENT, Front Axle, Narrow	<i>used on 25", 28" &amp; 30" Decks</i>
14	7053266	1	WELDMENT, Front Axle, Wide	<i>used on 33" Decks</i>
15	7074561	1	BOTTLE, Water	
16	7074560	1	HOLDER, Bottle (Wire)	
17	7090913	2	SCREW, #10-24 x 1/2" Hex Washer Self-Tap (Torx)	
18	7011714	1	HAIR PIN 2-1/4"	
19	7038243	1	LATCH, Parking Brake	
20	7015444	1	SPRING, Parking Brake Latch	
21	7014049	2	FOOT PAD, Short (5.5" x 4.7")	
21	7014048	2	FOOT PAD, Long (5.5" x 9.5")	
22	7010776	1	RING, 1/2" External Retaining (Heavy Duty)	
23	7047888	1	WELDMENT, Clutch Pedal	
24	7011815	1	PAD, Pedal	
25	7010694	1	BUSHING, Nylon	
26	7046232	1	WELDMENT, Steering Shaft	
27	7090753	1	PIN, 3/16 x 1-1/2" Cotter	
28	7010746	2	RING, 5/8" External Retaining	
29	7010935	6	WASHER, .77 x 1.13 x .06 Flat	
30	7010986	4	BEARING, Nylon	
31	7090364	2	PIN, 5/32 x 1" Cotter	
32	7090122	4	WASHER, 3/8" Flat SAE	<i>or 7091514</i>
33	7013321	4	BUSHING, Tie Rod	
34	7041687	1	WELDMENT, King Pin, Left Hand	

### Footnotes:

**FRONT END, STEERING**





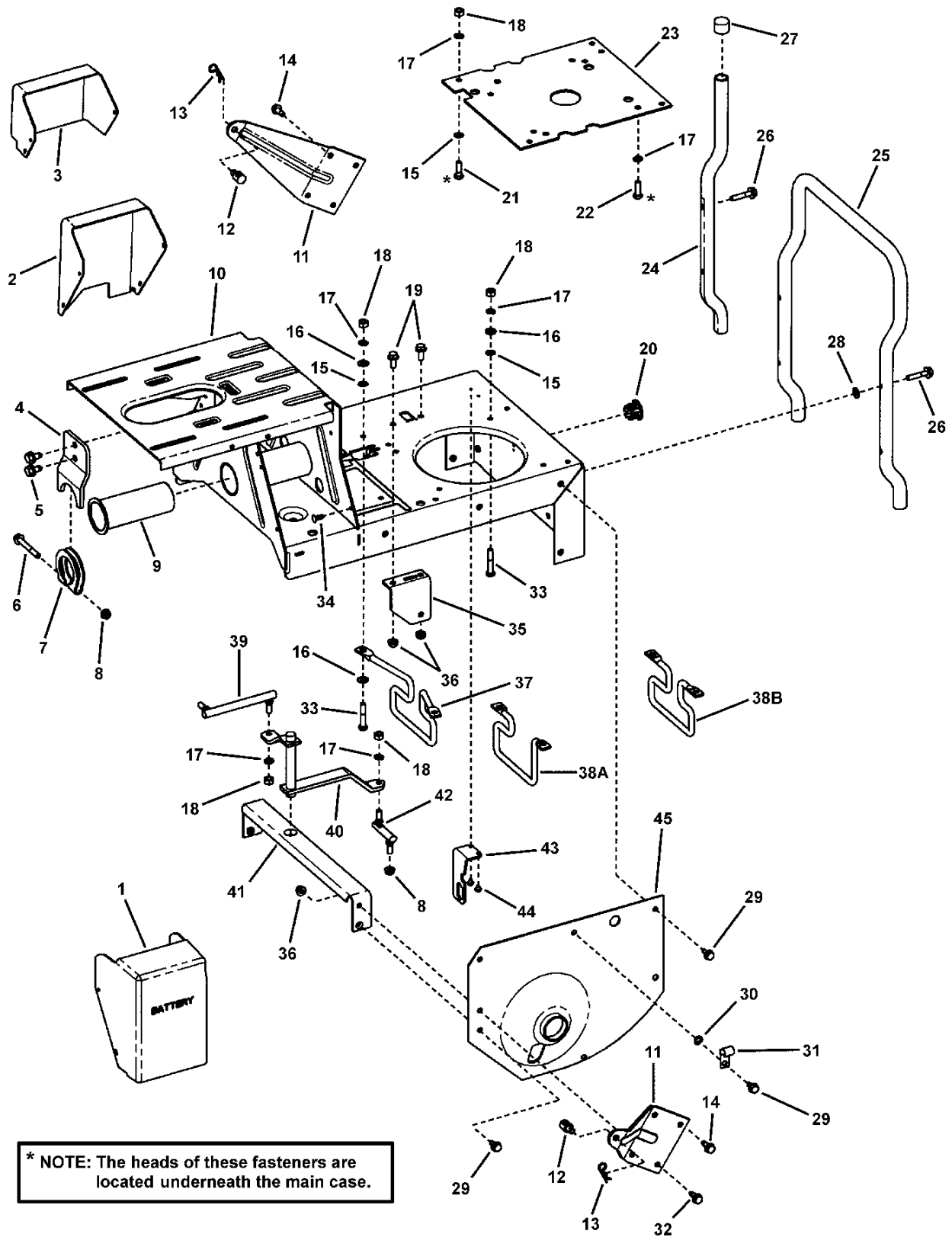
## **FRONT END, STEERING**

---

<b>Item</b>	<b>Part No</b>	<b>Qty</b>	<b>Description</b>	<b>Note</b>
35	7041688	1	WELDMENT, King Pin, Right Hand	
36	7090365	2	PIN, 1/8 x 3/4" Cotter	
37	7013023	1	TIE ROD, Left Hand (7.41" long)	
37	7012541	1	TIE ROD, Left Hand (9.91" long)	
38	7012933	1	TIE ROD, Right Hand (7.41" long)	
38	7012540	1	TIE ROD, Right Hand (9.91" long)	

**Footnotes:**

# MAIN CASE & L.H. FENDER

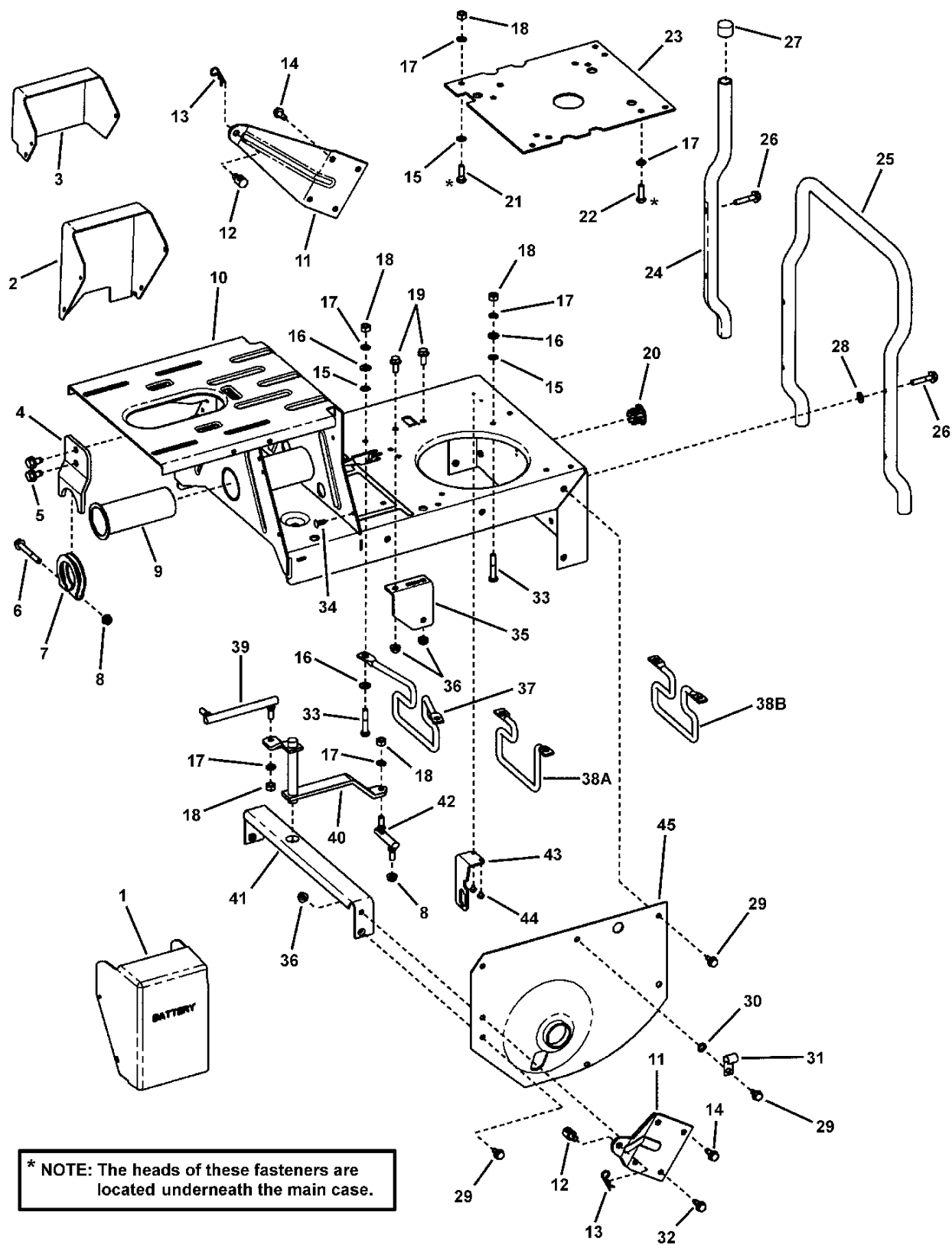


## MAIN CASE & L.H. FENDER

Item	Part No	Qty	Description	Note
1	7028990	1	COVER, Battery	
2	7028989	1	COVER, Switch	
3	7073268	1	COVER, Solenoid	
4	7074210	1	BRACKET, Belt Adjuster	
5	7091198	2	SCREW, 3/8-16 x 5/8" Hex Washer Self-Tap	
6	7090358	1	SCREW, 5/16-24 x 2-1/2" Hex Head Cap, GR 5	
7	7031100	1	TUBE CLAMP	
8	7010969	2	NUT, 5/16-24 Flange Lock (Large)	
9	7074650	1	BUSHING, Pivot	<i>replaces 7022509 (voided)</i>
10	7053697	1	WELDMENT, Main Case (Standard) (shown)	
10	7053698	1	WELDMENT, Main Case (Commercial) (not shown)	<i>used on E331523KVE Model only</i>
11	7034299	2	WING, Rear	
12	7028200	2	SWIVEL, Adjustable	
13	7091503	2	HAIR PIN, 3/32 x 1-1/2"	
14	7090793	4	SCREW, 5/16-18 x 3/4" Hex Washer Self-Tap	
15	7011791	4	RETAINER, 5/16" Bolt	
16	7091296	4	WASHER, 5/16" Flat	
17	7091315	7	WASHER, .32 x .58 x .08 Split Lock	
18	7091297	7	NUT, 5/16-24 Hex, GR 5	
19	7090595	2	BOLT, 5/16-18 x 3/4" Hex Flange Lock, GR 5	
20	7024998	3	PLUG, 1" Hole	<i>Used on Euro models only</i>
21	7090238	4	SCREW, 5/16-24 x 1" Hex Head Cap, GR 5	
22	7077692	4	BOLT, M8-1.25 x 25mm, Self-Tap (Kohler)	
23	7074946	1	PLATE, Engine (Kohler Engine)	<i>used on E331523KVE Model only</i>
24	7030798	2	BUMPER, Rear	
25	7036367	1	BUMPER (1-Piece) (33" Deck)	
26	7090484	4	SCREW, 5/16-18 x 1-1/2" Hex Washer Self-Tap	<i>or 7091506</i>
27	7010153	2	CAP, Bumper	
28	7090188	2	WASHER, 11/32" Flat	
29	7090361	14	SCREW, 5/16-18 x 5/8" Hex Washer Self-Tap	<i>or 7091867</i>
30	7090391	1	WASHER, 5/16" Internal Tooth Lock	
31	7012652	1	CLIP, Wire	
32	7090206	1	SCREW, 5/16-18 x 3/4" Hex Head Cap, GR 5	
33	7091513	4	SCREW, 5/16-24 x 1-3/4" Hex Head Cap, GR 5	
34	7091272	7	FASTENER, 1/4" Ratchet	
35	7047189	1	BRACKET, Drive Support	
36	7090585	6	NUT, 5/16-18 Hex Flange Lock, GR 5	

### Footnotes:

# MAIN CASE & L.H. FENDER



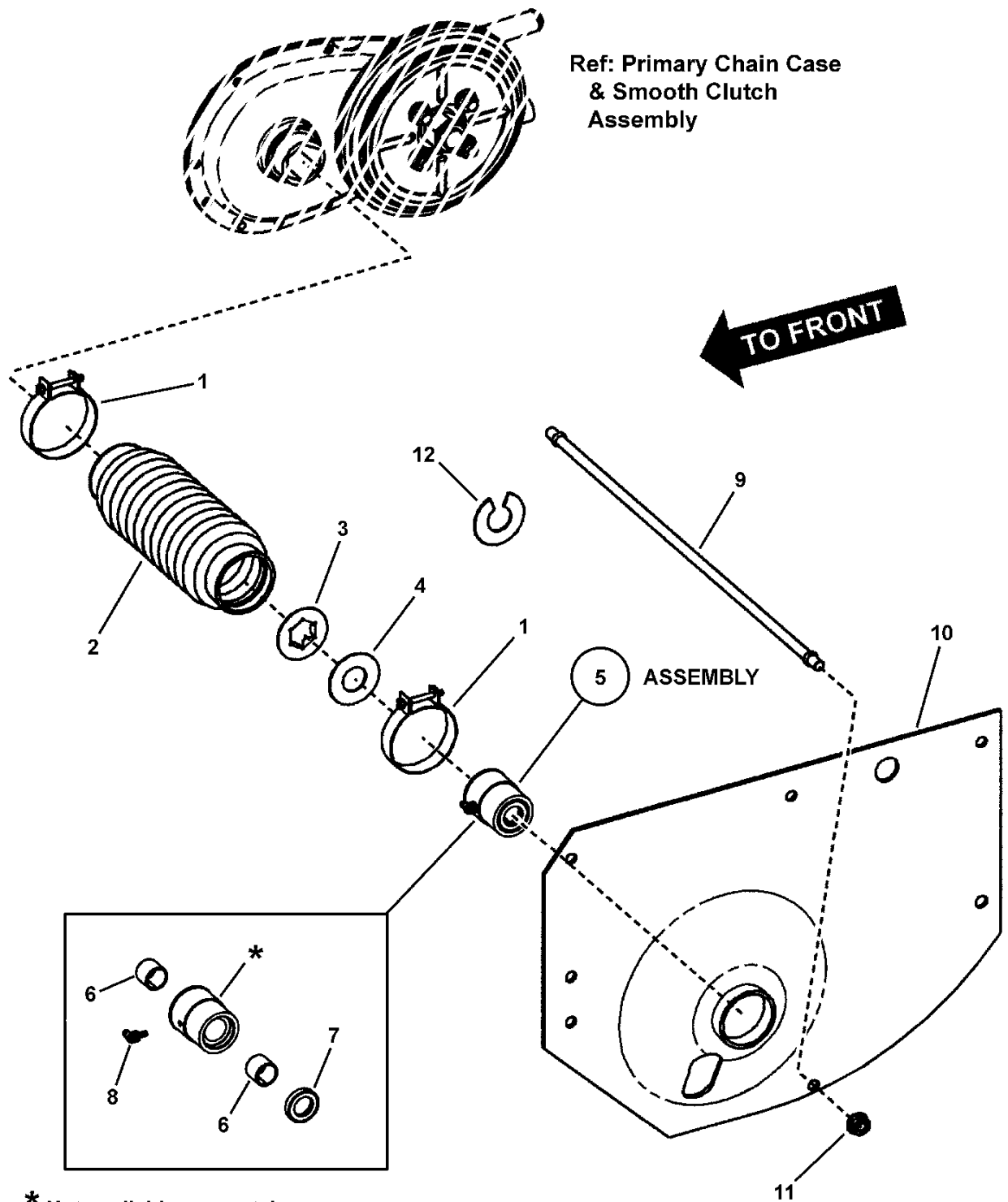
## MAIN CASE & L.H. FENDER

---

Item	Part No	Qty	Description	Note
37	7036419	1	BELT GUIDE, K 30/33 (9.48" Bolt Pattern Bent Top)	<i>used on E331523KVE Model only</i>
38A	7017653	1	BELT GUIDE, 25, 26, 28, 41" (5.74" Bolt Pattern, 4.74" Belt Gap)	
38B	7036418	1	BELT GUIDE, 30/33 (5.74" Bolt Pattern, 5.0" Belt Gap)	<i>used on 331723BVE Model only</i>
39	7023676	1	SHIFT LINK, Long (5/16-24 both ends)	
40	7041384	1	WELDMENT, Shift Arm	
41	7033799	1	CROSS BRACE	
42	7011018	1	SHIFT LINK, Short (5/16-24 thread)	
43	7073735	1	BRACKET, Switch	
44	7090981	2	SCREW, #10-32 x 1/4" Hex Washer Self-Tap	
45	7037285	1	FENDER, Left Hand (1.628" I. D. Hole)	

### Footnotes:

# LEFT HAND FENDER & BEARING

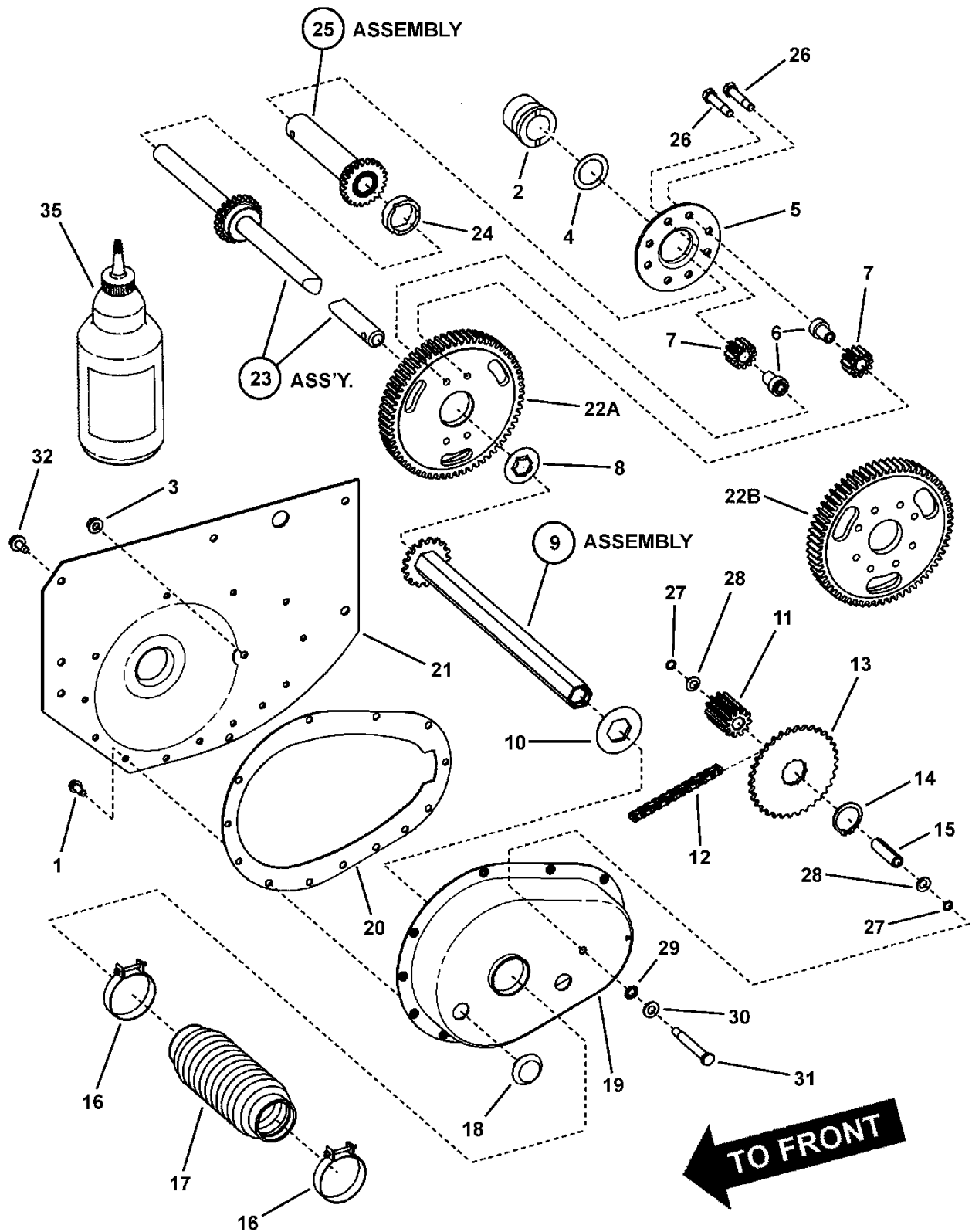


## LEFT HAND FENDER & BEARING

---

Item	Part No	Qty	Description	Note
1	7012332	2	BOOT CLAMP, 2"	
2	7075115	1	BOOT, Rear Axle, Thick Flange	
3	7011072	1	WASHER, Thrust	
4	7011071	1	THRUST WASHER	
5	7052827	1	ASSEMBLY, DX Bearing	
6	7074182	2	BEARING, DX	
7	7074500	1	SEAL, Axle (Dust/Grease)	
8	7075848	1	FITTING, Lube, 45 Degree, 3/16" w/Hex (long shank)	<i>or 7013324</i>
9	7011070	1	TIE ROD (5/16-24 thread- both ends)	
10	7037285	1	FENDER, Left Hand (1.628" I. D. Hole)	
11	7010969	1	NUT, 5/16-24 Flange Lock (Large)	
12	7012271	1	WASHER, Shim	<i>or quantity as required</i>

### Footnotes:



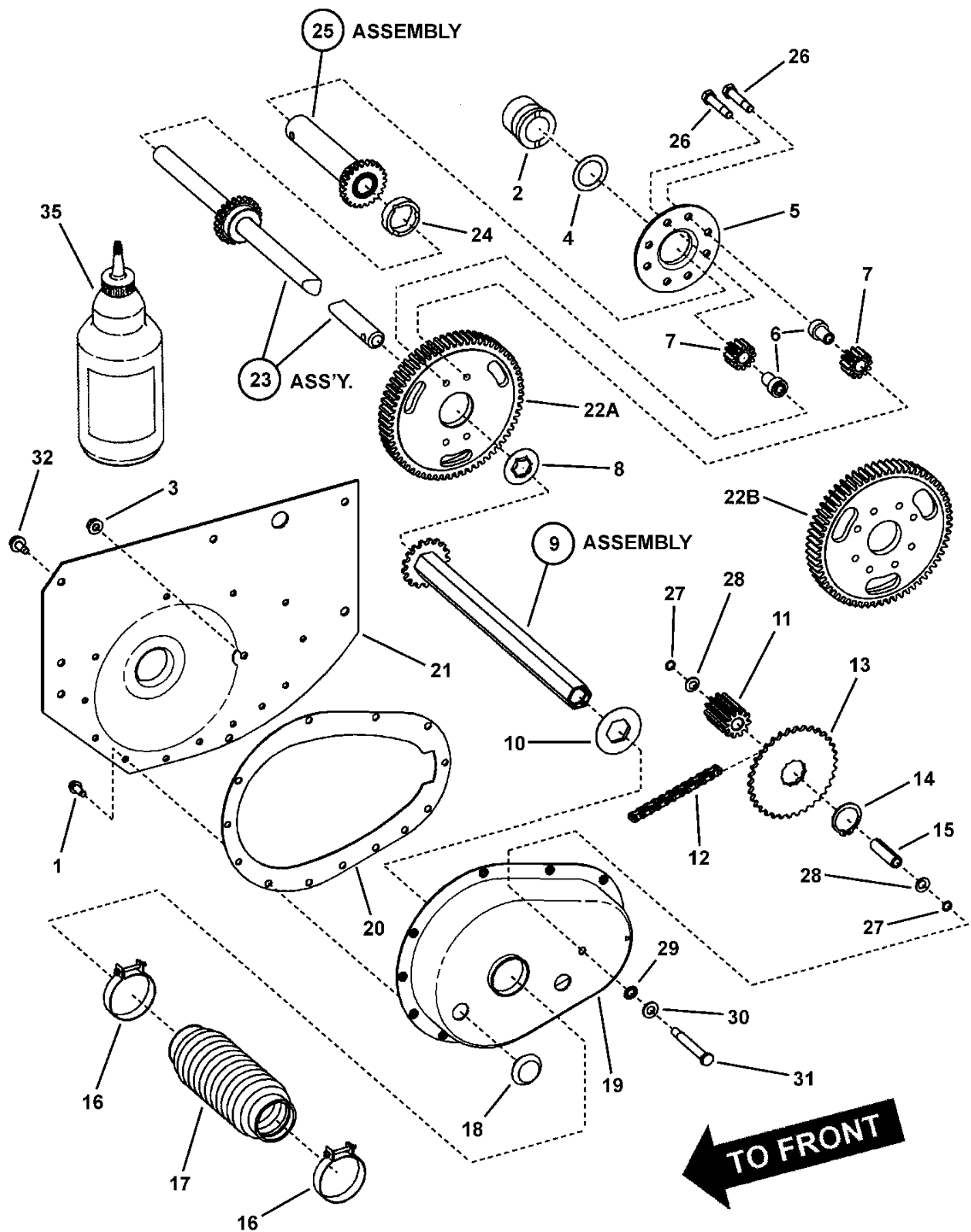


## DIFFERENTIAL, R. H. FENDER

Item	Part No	Qty	Description	Note
1	7090362	13	SCREW, 1/4-20 x 5/8" Hex Washer Head Self-Tap	
2	7012296	1	BEARING, Axle (R. H. Fender)	
2	7054372	1	BEARING-DX, Axle (R. H. Fender)	<i>includes 1-1/8" I.D. (DX) bearing</i>
3	7010969	1	NUT, 5/16-24 Flange Lock (Large)	
4	7031079	1	WASHER, Thrust	
5	7038067	1	PLATE, Differential	<i>Note: 4 holes offset - align properly to prevent binding.</i>
6	7022115	4, 8	SPACER, Pinion	
7	7021127	4, 8	GEAR, Differential Pinion (12T 12P)	
8	7011072	1	WASHER, Thrust	
9	7051584	1	* ASSEMBLY, Drive Hex Tube	
10	7010988	1	WASHER, Nylon	
11	7010964	1	GEAR, 11 Tooth, 10 Pitch	
12	7010941	1	CHAIN, 46 Pitch (#35 Endless)	
13	7021129	1	SPROCKET, 34T, 3/8P	
14	7010965	1	RING, 1-3/16" External Retaining	
15	7021128	1	SPACER, Differential Case	
16	7012332	2	BOOT CLAMP, 2"	
17	7075115	1	BOOT, Oil Seal (Short Axle)	
18	7011024	1	PLUG, 1/2" Cup Insert	
19	7037279	1	CASE, Transmission	
20	7028762	1	GASKET, Transmission Case	
21	7037280	1	FENDER, Right Hand (1.62" Dia. Hole)	
22A	7021158	1	GEAR, 63 Tooth 10 Pitch (4 Hole)	
22B	7027644	1	GEAR, 63 Tooth 10 Pitch (8 Hole)	
23	7047763	1	ASSEMBLY, Long Axle (Includes Gear)	
24	7074431	1	SPACER, Differential Case	
25	7057398	1	ASSEMBLY, Short Axle, 23T (Includes Gear)	
26	7012333	4, 8	BOLT, 5/16-24 x 1-5/8" Hex Special Lock (Vibresist)	
27	7011156	2	5/16" O-RING	
28	7011782	2	WASHER, 5/16" Belleville	
29	7090395	1	WASHER, 5/16" External Tooth Lock	
30	7090188	1	WASHER, .34 x .69 x .08 Flat	
31	7011042	1	SCREW, 5/16-24 x 2-5/8" Hex Head Cap	
32	7090361	11	SCREW, 5/16-18 x 5/8" Hex Washer Self-Tap	
35	7061017	1	GREASE, Transmission (24 oz. Required)	
--	7060411	1	KIT, Differential (4 Pinion)	
--	7060662	1	KIT, Differential (8 Pinion w/DX Bearing)	

### Footnotes:

Note: \* Assembly includes two bearings inside hex tube (p/n 7015140, not shown) & one nylon washer (p/n 7010988, item 10).



## ***DIFFERENTIAL, R. H. FENDER***

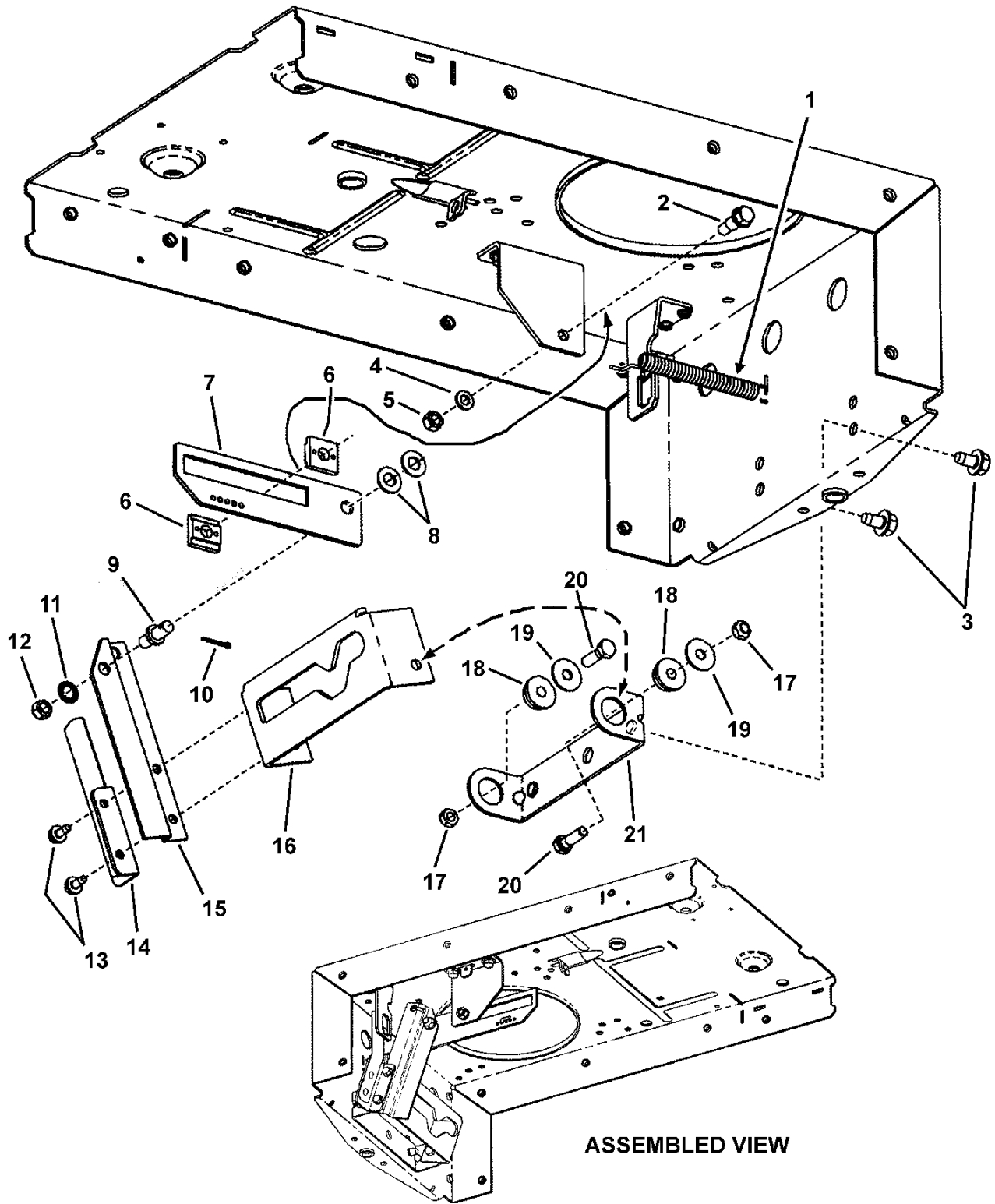
---

<b>Item</b>	<b>Part No</b>	<b>Qty</b>	<b>Description</b>	<b>Note</b>
--	7075479	1	KIT, Long & Short Axle (Includes items 23, 24, & 25)	

### **Footnotes:**

Note: \* Assembly includes two bearings inside hex tube (p/n 7015140, not shown) & one nylon washer (p/n 7010988, item 10).

**YOKE LIFT COMPONENTS**



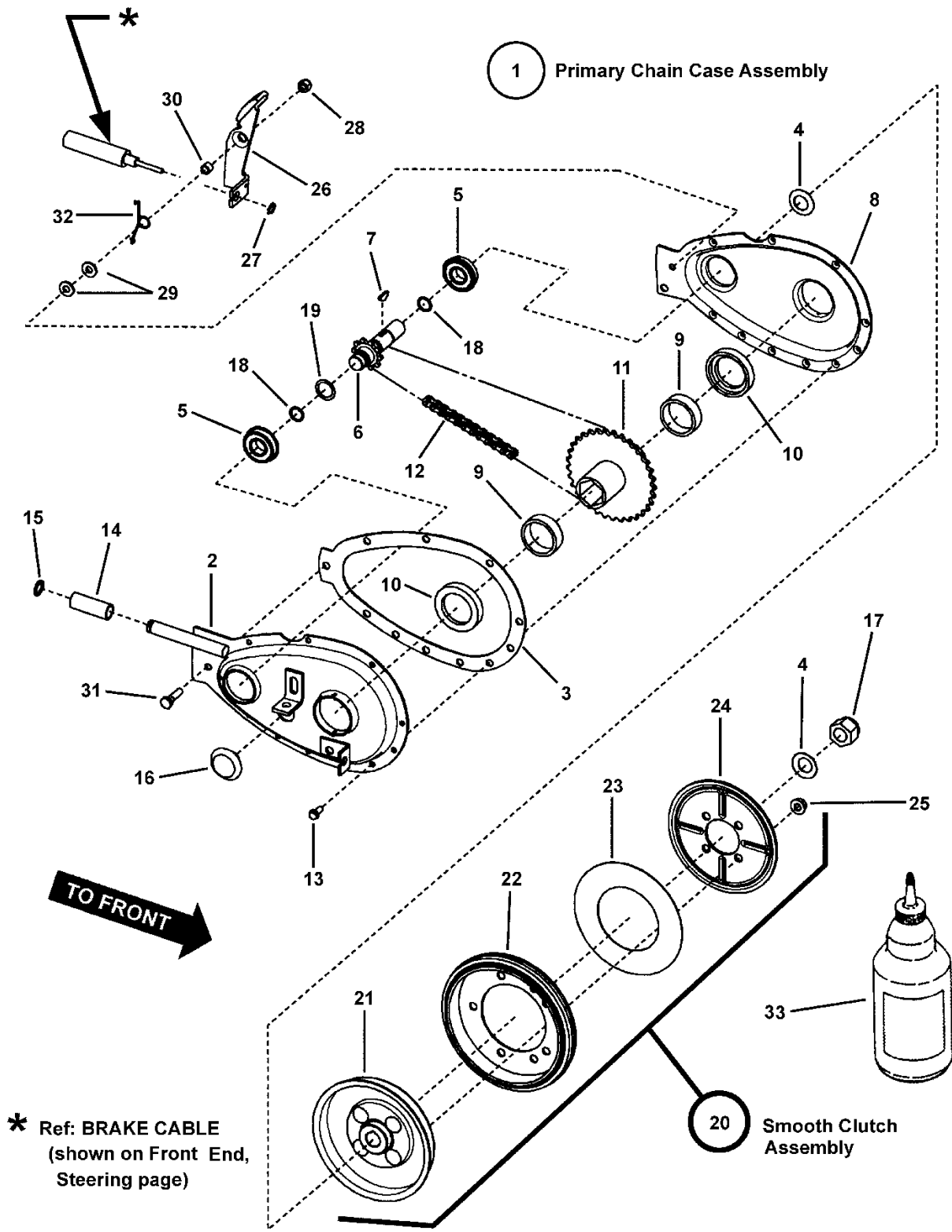
**ASSEMBLED VIEW**

## YOKE LIFT COMPONENTS

Item	Part No	Qty	Description	Note
1	7013885	1	SPRING, Clutch & Brake	
2	7014664	1	BOLT, 5/16-18 Shoulder	
3	7091198	2	SCREW, 3/8-16 x 5/8" Hex Washer Self-Tap	
4	7090187	1	WASHER, 5/16" Split Lock	
5	7090196	1	NUT, 5/16-18 Hex, GR 5 or B	
6	7014663	2	SLIDE HALF	
7	7047190	1	BRACKET, Slide	
8	7090122	2	WASHER, 3/8" Flat SAE	
9	7015464	1	STUD, Clutch Link (3/8-24 thread)	
10	7090037	1	PIN, 3/32 x 3/4" Cotter	or 7091597
11	7090390	1	WASHER, 3/8" Internal Tooth Lock	
12	7091630	1	NUT, 3/8-24 Hex, GR 5 or B	or 7090155
13	7090539	2	SCREW, 1/4-20 x 1/2" Hex Washer Self-Tap	
14	7059068	1	ASSEMBLY, Leaf Spring	
15	7073733	1	ARM, Yoke	
16	7046162	1	LIFT, Yoke	
17	7011201	2	NUT, 5/16-24 Hex Center Lock	
18	7011048	2	BEARING, Yoke	
19	7011763	2	FENDER WASHER, 5/16"	
20	7090238	2	SCREW, 5/16-24 x 1" Hex Head Cap, GR 5	
21	7033291	1	COLLAR, Yoke	

### Footnotes:

# PRIMARY CHAIN CASE & SMOOTH CLUTCH



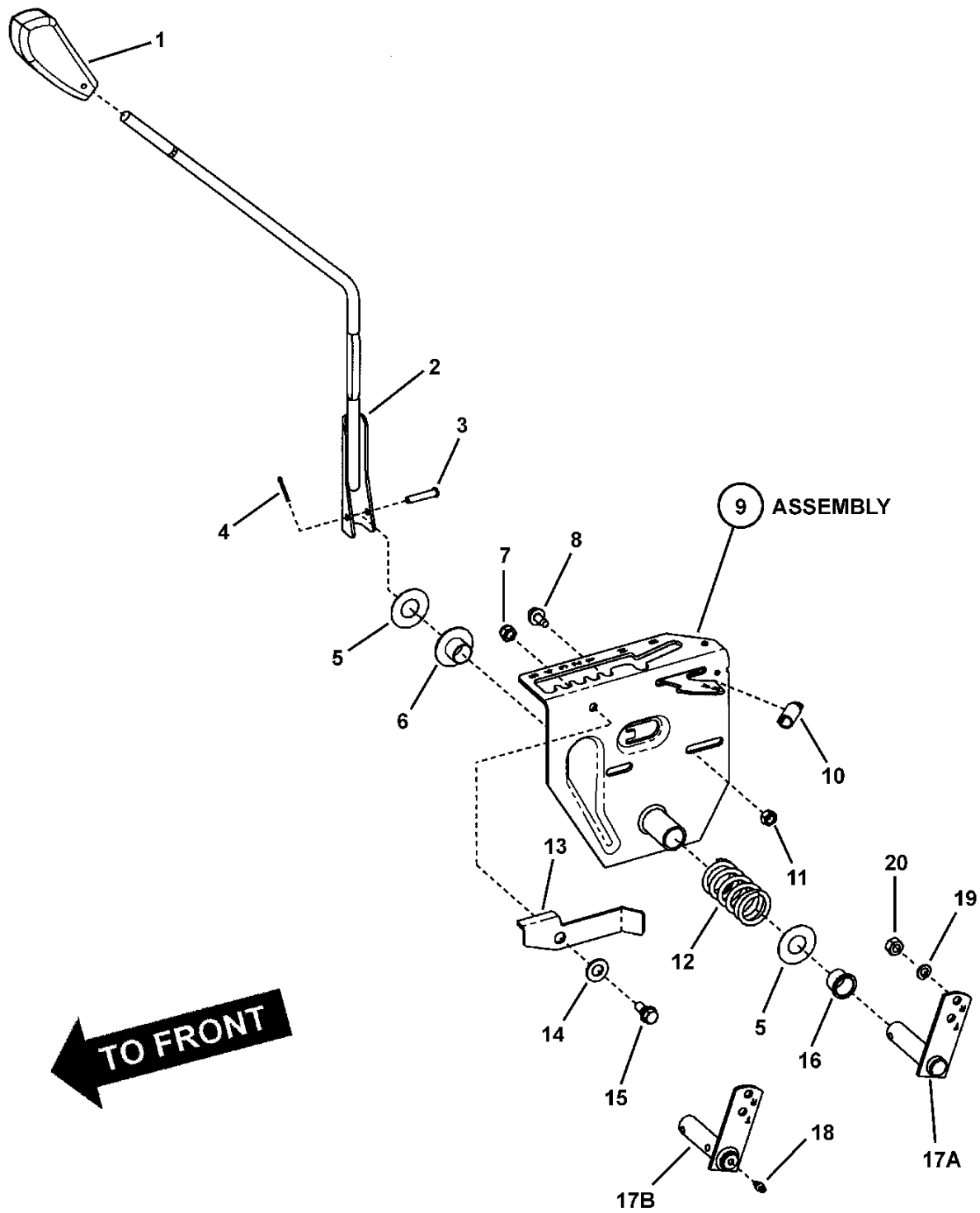
## PRIMARY CHAIN CASE & SMOOTH CLUTCH

Item	Part No	Qty	Description	Note
1	7052683	1	ASSEMBLY, Primary Chain Case	<i>(Includes the following 16 items)</i>
2	7041136	1	WELDMENT, Primary Chain Case Half, Right Hand	
3	7028761	1	GASKET, Primary Chain Case	
4	7011121	2	WASHER, 5/8" Belleville	
5	7010756	2	BEARING, .625 x 1.37 x .435	
6	7018963	1	WELDMENT, Sprocket & Shaft	
7	7010614	1	KEY, #5 Woodruff	
8	7039778	1	PRIMARY CHAIN CASE HALF, Left Hand	
9	7010942	2	BEARING, Needle 1.355" ID x 1.6245" OD x .5" Wide	
10	7011086	2	THRUST WASHER, Nylon	
11	7040355	1	WELDMENT, Hub & Sprocket	
12	7010941	1	CHAIN, 46 Pitch (#35 Endless)	
13	7090307	10	SCREW, 10-24 x 1/2" Hex Washer Self-Tap	
14	7022785	1	ROLLER, 1-3/8 Long	
15	7010776	1	RING, 1/2" External Retaining (Heavy Duty)	
16	7011024	1	PLUG, 3/4" Cup Insert	
17	7091505	1	NUT, 5/8-18 Hex Nyloc	
18	7019260	2	O-RING, 1/2 x 5/8"	
19	7027981	1	WASHER, Shim .625 x .875	
20	7053114	1	ASSEMBLY, Smooth Clutch (non-asbestos)	<i>(Includes the following 5 items)</i>
21	7059443	1	HUB, Driven Disc (assembly)	<i>replaces 7054243 (voided)</i>
22	7053103	1	DISC, Driven (rubber tire bonded to rim)	
23	7014523	1	THRUST WASHER	
24	7032331	1	PLATE, Drive Disc	
25	7092081	4	NUT, 5/16-24 Hex Flange Lock	<i>or 7090480, center lock flange nut</i>
26	7052497	1	ASSEMBLY, Brake Lever (Includes brake pad & rivet)	
27	7012313	1	RING, 3/8" External Retaining	
28	7090303	1	NUT, 1/4-28 Hex Top Lock	
29	7091294	2	WASHER, .28 x .63 x .06 Flat, GR 5	
30	7072593	1	* SPACER, Brake Arm Pivot (.418/.403 long)	<i>replaces 7010916 (.300/.285 long)</i>
31	7091504	1	SCREW, 1/4-28 x 1" Hex Head Cap, (Washer Face) GR 5	
32	7072406	1	* SPRING, Torsional Brake Return	
33	7061017		GREASE, Transmission (Use 2 oz. Maximum)	

### Footnotes:

Note: \* Brake return replacement kit (7061197) is made of items 30 & 32.

# GEAR SHIFTER ASSEMBLY





## GEAR SHIFTER ASSEMBLY

Item	Part No	Qty	Description	Note
1	7023656	1	GRIP, Shift Handle	
2	7059212	1	WELDMENT, Shift Handle	
3	7023914	1	PIN, 1/4 x 1-3/4" Tapered Clevis	
4	7090037	1	PIN, 3/32 x 3/4" Cotter	
5	7031036	2	WASHER, Thrust	
6	7019245	1	BUSHING, 3/4 x 1.62 Flange (Nylon)	
7	7091298	1	NUT, 5/16-18 Hex Nyloc	
8	7090361	1	SCREW, 5/16-18 x 5/8" Hex Washer Self-Tap	
9	7058763	1	* ASSEMBLY, Speed Adjustment Latch	
10	7026292	1	SPRING	<i>part of Speed Adjustment Latch Ass'y</i>
11	7090196	1	NUT, 5/16-18 Hex, GR 5 or B	
12	7010754	1	SPRING, Shift Detent	
13	7073289	1	LEVER, Over-Ride	
14	7091595	1	WASHER, .47 x .92 x .065 Flat	
15	7015761	1	SHOULDER BOLT, 5/16-18	
16	7019246	1	BUSHING, 3/4 x I.O. Flange (Nylon)	
17A	7040598	1	WELDMENT, Arm, Shift Handle	
17B	7043201	1	WELDMENT, Arm, Shift Handle (w/grease ftg. Hole)	
18	7010817	1	LUBE FITTING, 3/16" Press-In	<i>used with 7043201</i>
19	7091315	1	WASHER, .32 x .58 x .08 Split Lock	
20	7091297	1	NUT, 5/16-24 Hex, GR 5	

### Footnotes:

Note: \* Assembly is comprised of: Shift Detent Weldment (7041232), Shoulder Rivet (7029022), Reverse Stop (7073218) & item 10.

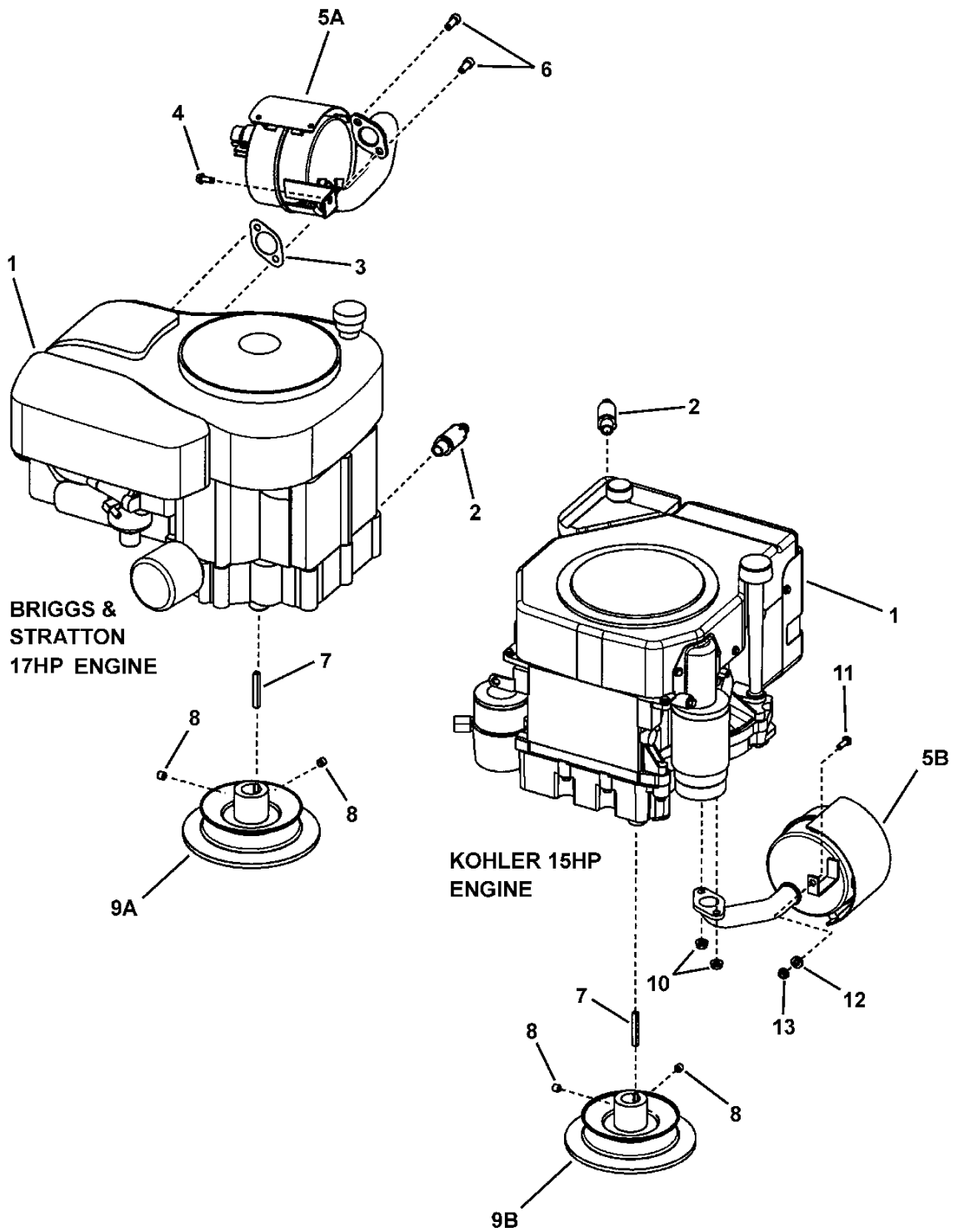


## FUEL TANK & SEAT

Item	Part No	Qty	Description	Note
1	7075071	1	SEAT, Operator (11.58" tall) (shown) (Michigan V-2400 Series)	<i>used on 12HP &amp; Higher Models</i>
1	7075376	1	SEAT, Operator (9.30" tall) (Michigan V-2300 Series)	<i>used on 2811523BV, 3011523BV</i>
2	7051905	1	ASSEMBLY, Fuel Tank (Includes item 3)	<i>used on 9, 10 &amp; 11.5HP Models</i>
2	7052435	1	ASSEMBLY, Fuel Tank with Gauge (Includes item 3A)	<i>used on 12, 12.5, 14.5, 15 &amp; 17HP Models</i>
3	7012515	1	CAP, Fuel Tank	
3A	7019377	1	CAP, Fuel Tank w/Gauge	
4	7029900	4	CLAMP, Fuel Line	<i>replaces 7012222 clamp</i>
5	7076272	1	HOSE, Fuel (1/4" I.D. x 8-1/2" long)	<i>used on Briggs 8-17HP</i>
5	7012912	1	HOSE, Fuel (1/4" I.D. x 12-1/2" long)	<i>used on Kohler Models only</i>
5	7041996	1	HOSE, Fuel (1/4" I.D. x 6-1/2" long)	<i>used on Kohler Models only</i>
6	7077351	1	HOSE, Fuel (1/4" I.D. x 3-1/2" long)	
7	7014359	1	FILTER, Fuel (In-Line)	
8	7024507	1	VALVE, Fuel Shut-Off (Accessory)	
9	7033377	1	BRACKET, Fuel Tank (Rear)	
10	7091542	2	SCREW, 5/16-18 x 1/2" Pan Head Self-Tap (Torx #T-40)	
11	7029211	1	SWITCH, Seat, Quick Mount (NC)	<i>used on seat, p/n 7028650</i>
11A	7023354	1	SWITCH, Seat (NC)	
12	7091714	4	BOLT, 5/16-18 x 1" Square Neck Carriage, GR 5	
13	7075018	2	BRACKET, Seat	
14	7011791	4	RETAINER, 5/16" Bolt	
15	7091038	2	BOLT, 5/16-18 x 1/2" Hex Flange Nyloc	
16	7090539	2	SCREW, 1/4-20 x 1/2" Hex Washer Self-Tap	
17	7090913	2	SCREW, #10-24 x 1/2" Hex Washer Self-Tap (Torx)	
18	7033470	1	PLATE, Throttle Control	
19	7022751	1	CONTROL, Throttle (23.6" long) (Briggs Engines)	
19	7074320	1	CONTROL, Throttle (34.6" long) (Kohler Engines)	
19	7075089	1	CONTROL, Throttle (34.6" long) (Honda Engines)	
20	7090672	2	NUT, 5/16-18 Hex Flange Top Lock	<i>or 7090951</i>
21	7013849	2	SPACER, .33 x .63 x .156	
22A	7023735	2	KNOB, Fluted, 5/16-18 internal thread (2.15 O.D.)	
22B	7023191	2	KNOB, 3-Prong, 5/16-18 x 3/4" external thread	<i>used on seat, p/n 7028650</i>

### Footnotes:

**ENGINE, MUFFLER, DRIVE DISC**



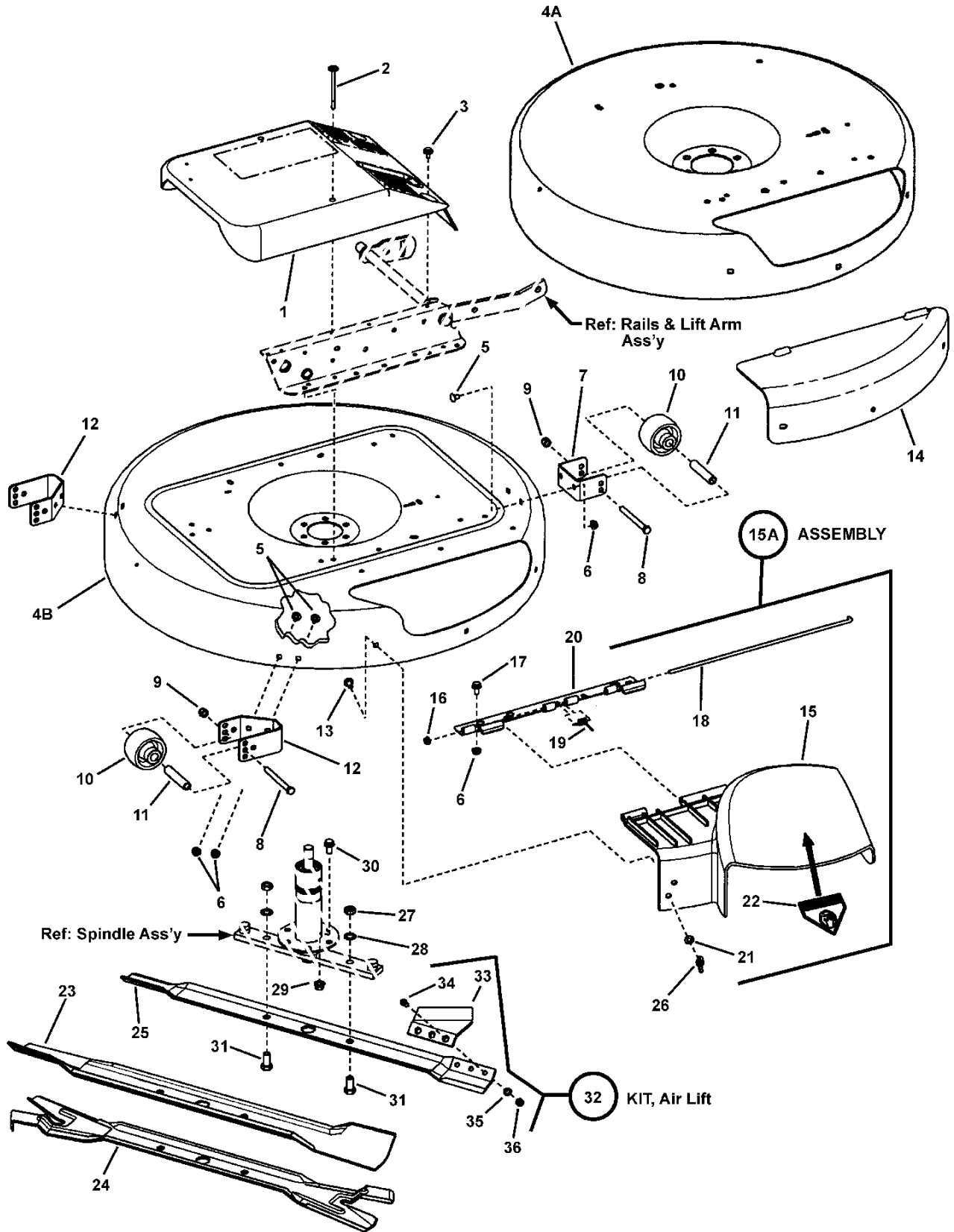
## ENGINE, MUFFLER, DRIVE DISC

Item	Part No	Qty	Description	Note
1	--	1	* ENGINE, 9HP Briggs (Mod 28B702-1154-E1)	<i>recoil start</i>
1	--	1	* ENGINE, 10HP Briggs (Mod 214707-0113-E1)	<i>electric start</i>
1	--	1	* ENGINE, 11HP Briggs (Mod 21A907-0124-E1)	<i>electric start</i>
1	--	1	* ENGINE, 11HP Briggs (Mod 21A902-0127-E1)	<i>recoil start</i>
1	--	1	* ENGINE, 11HP Honda (Mod GXV340, Type K2DET3)	<i>electric start</i>
1	--	1	* ENGINE, 11.5HP Briggs (Mod 217802-0113-E1)	<i>recoil start</i>
1	--	1	* ENGINE, 12.5HP Briggs (Mod 219907-0131-E1)	<i>electric start</i>
1	--	1	* ENGINE, 13HP Briggs (Mod 21A907-0128-E1)	<i>electric start</i>
1	--	1	* ENGINE, 13HP Honda (Mod GXV39K, Type 1DET3)	<i>electric start</i>
1	--	1	* ENGINE, 13.5HP Briggs (Mod 21B907-0137-E1)	<i>electric start</i>
1	--	1	* ENGINE, 15HP Briggs (Mod 284H07-0115-E1)	<i>electric start</i>
1	--	1	* ENGINE, 15HP Kohler (Mod CV15ST, Type PS-41584)	<i>electric start</i>
1	--	1	* ENGINE, 16 or 17HP Briggs (Mod 31F777-0115-E1)	<i>electric start</i>
2	7027972	1	ASSEMBLY, Oil Valve	
3	7015352	1	GASKET, Exhaust	
4	7090362	2	SCREW, 1/4-20 x 5/8" Hex Washer Head Self-Tap	
5A	7074453	1	MUFFLER w/Heat Shield (Briggs 11 thru 17HP)	
5B	7019358	1	MUFFLER (Kohler 14 & 15HP)	
6	7091738	2	SET SCREW, 5/16-18 x 3/4" Socket Head, GR8	
7	7010210	1	KEY, 1/4" Square x 2" Long	
8	7090132	2	SET SCREW, HRSS, 3/8-16 x 3/8"	
9A	7072658	1	WELDMENT, 5.75" O.D. Drive Disc	<i>used on 28" &amp; 30" Decks</i>
9B	7074187	1	WELDMENT, 5.25" O.D. Drive Disc	<i>used on 33" Deck Models</i>
10	7090585	2	NUT, 5/16-18 Hex Flange Lock, GR 5	
11	7091495	1	SCREW, 1/4-20 x 3/4" Hex Head Cap, GR 5	
12	7013849	1	SPACER, .33 x .63 x .156	
13	7091065	1	NUT, 1/4-20 Hex Flange Lock	
14	7091576	1	NUT, 1/4-20 Hex, GR 5 or B	<i>not shown (attaches to starter terminal on Briggs 12.5 or 17HP)</i>

### Footnotes:

Note: \* Purchase engine parts from engine manufacture dealer.

**CUTTING DECKS, DEFLECTOR (28" & 33" Hi-Vac)**

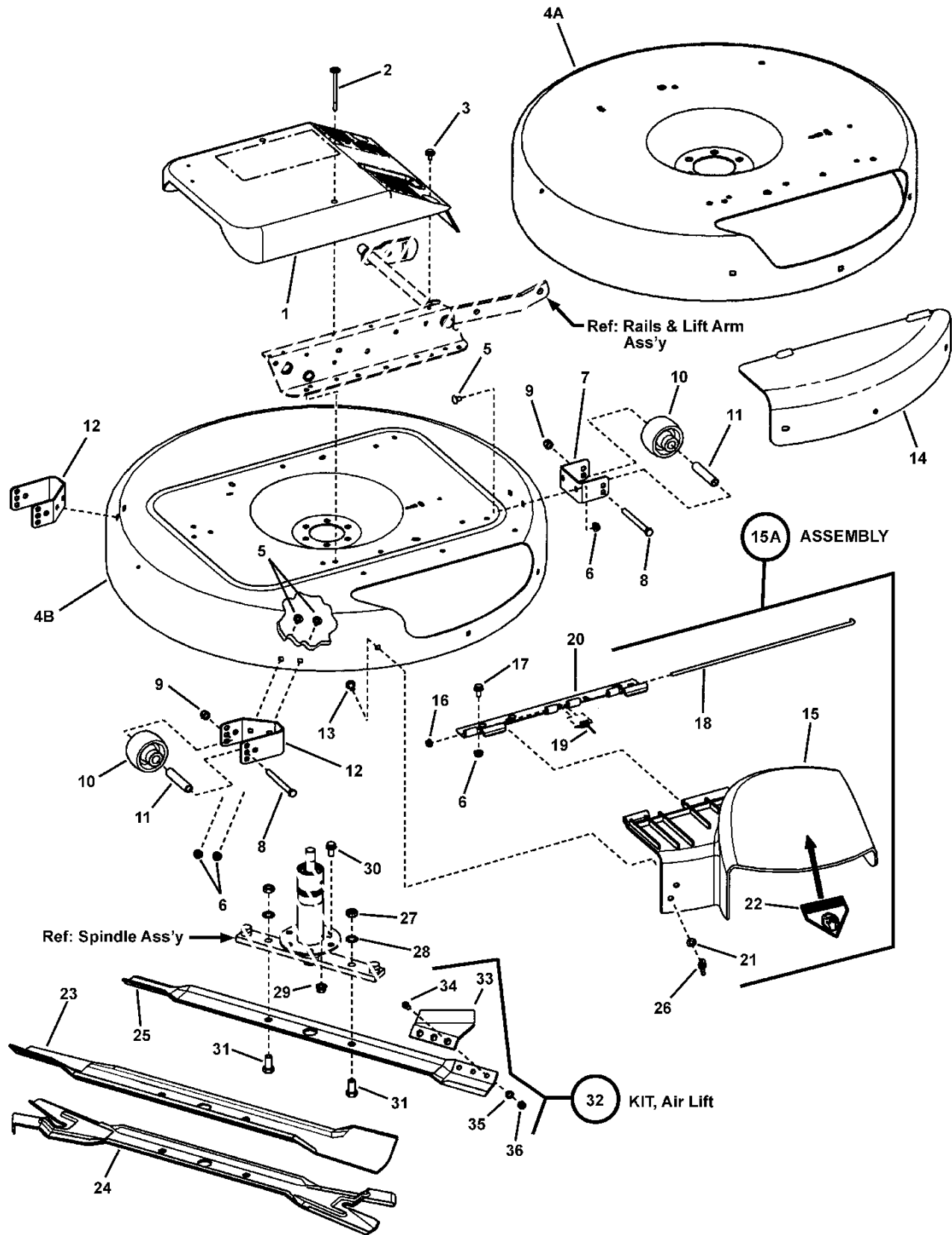


## CUTTING DECKS, DEFLECTOR (28" & 33" Hi-Vac)

Item	Part No	Qty	Description	Note
1	7073434	1	COVER, Spindle	
2	7091015	2	SCREW, 1/4-20 x 3-1/2" Hex Head w/Free Spinning Washer	
3	7091016	4	SCREW, 1/4-20 x 5/8" Hex Head w/Free Spinning Washer	
4A	7061970	1	DECK, 28" Replacement	<i>(Painted deck w/decals &amp; wheel bracket fasteners)</i>
4B	7061972	1	DECK, 33" Replacement	<i>(Painted deck with decals)</i>
5	7090731	6	BOLT, 5/16-18 x 1/2" Short Neck Carriage, GR 5	
6	7091070	8	NUT, 5/16-18 Hex Flange Lock, GR 5	
7	7033570	1	BRACKET, Gage Wheel (Front)	
8	7091532	3	SCREW, 3/8-24 x 3-3/4" Hex Head Cap, GR 5	
9	7091518	3	NUT, 3/8-24 Hex Nyloc	
10	7019190	3	WHEEL, Gage	
11	7015272	3	SPACER	
12	7033571	2	BRACKET, Gage Wheel (Rear)	
13	7091508	2	BOLT, 5/16-18 x 3/4" Short Neck Carriage, GR 5	<i>or 7090001</i>
14	7016983	1	COVER, 28" Mulcher	
14	7016984	1	COVER, 33" Mulcher	
15	7026233	1	DEFLECTOR, Discharge, 28" & 33"	
15A	7500484	1	ASSEMBLY, Discharge Deflector, 28" & 33" (without decal)	<i>Incl. items 15, 16, 18, 19, &amp; 20</i>
16	7026483	2	PUSH NUT, 1/4"	
17	7091811	3	BOLT, 5/16-18 x 5/8" Hex Flange Lock, GR 5	<i>or 7091811</i>
18	7026234	1	PIN, Hinge	
19	7016341	1	SPRING, Hinge	
20	7033780	1	HINGE, Deflector (Deck side)	
21	7091296	2	WASHER, 5/16" Flat	
22	7013010	1	DECAL, Danger, (Cut Finger)	<i>or 7026831</i>
23	7035635	1	BLADE, 28" Hat Shaped Hi-Lift	<i>standard equipment</i>
23	7034168	1	BLADE, 33" Hat Shaped Hi-Lift	<i>standard equipment</i>
24	7026453	1	BLADE, Ninja, 28"	
24	7024741	1	BLADE, Ninja, 33"	
25	7019515	1	BLADE, 28"	
25	7019523	1	BLADE, 33"	
26	7090492	2	NUT, 5/16-18 Wing	
27	7091939	2	NUT, 1/2-20 Hex, GR 5 or B	<i>was 7090559, Hex Jam Nut</i>
28	7090509	2	WASHER, 1/2" Internal Tooth Lock	
29	7090613	9	NUT, 3/8-16 Hex Flange Lock	
30	7090612	3	BOLT, 3/8-16 x 3/4" Hex Flange Lock	
31	7090491	2	SCREW, 1/2-20 x 1-1/4" Hex Head Cap, GR 5	<i>was 7090392</i>

### Footnotes:

**CUTTING DECKS, DEFLECTOR (28" & 33" Hi-Vac)**





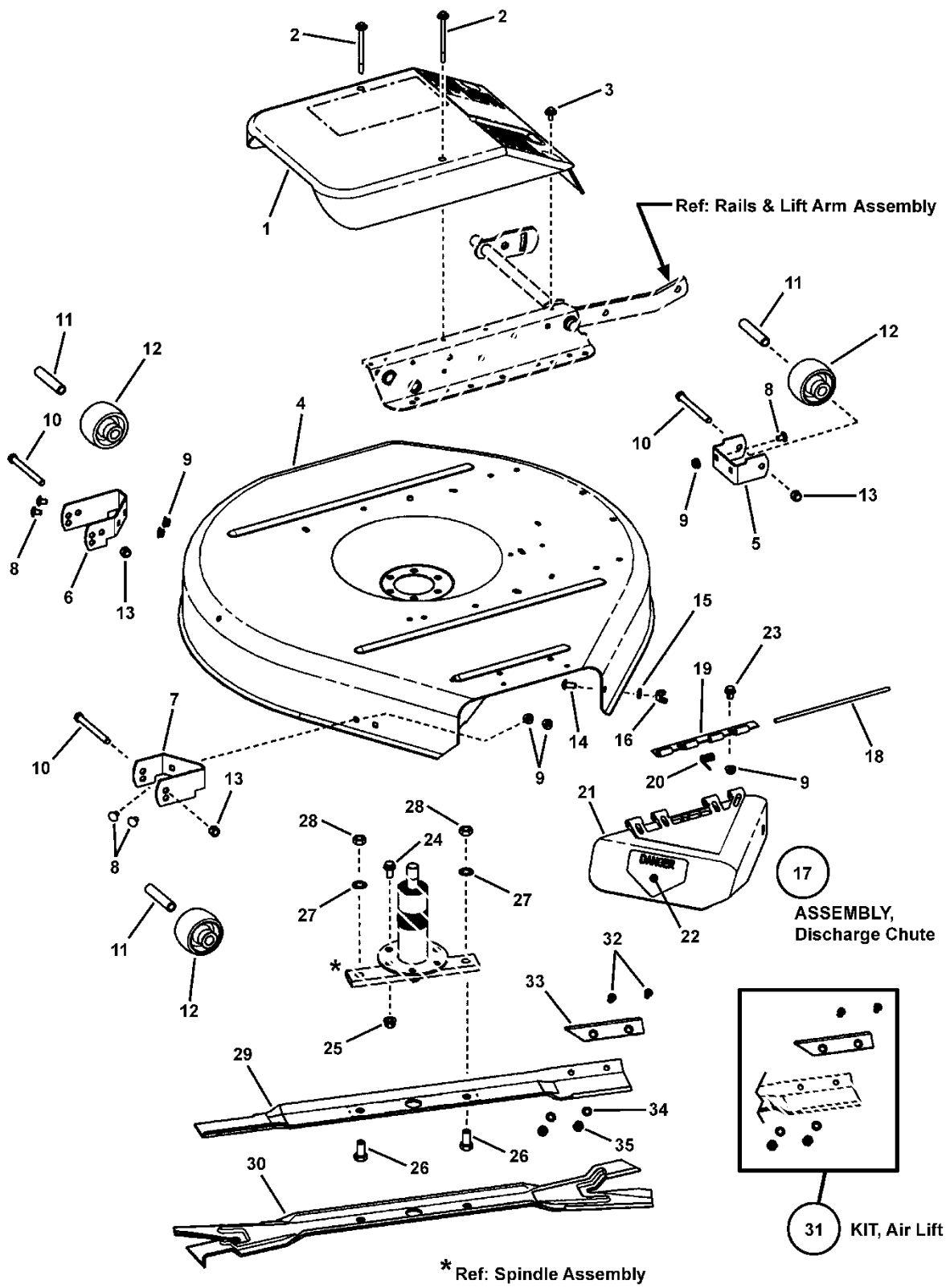
## **CUTTING DECKS, DEFLECTOR (28" & 33" Hi-Vac)**

---

<b>Item</b>	<b>Part No</b>	<b>Qty</b>	<b>Description</b>	<b>Note</b>
32	7060480	1	KIT, Air Lift, Hi-Vac (Includes items 32, 33, 35 & 36)	<i>used on 28" &amp; 33" Decks</i>
33	7037723	2	AIR LIFT, Hi-Vac (3 hole)	
34	7090228	6	SCREW, 5/16-24 x 11/16" Oval Head Machine	
35	7090391	6	WASHER, 5/16" Internal Tooth Lock	
36	7090223	6	NUT, 5/16-24 Hex	

**Footnotes:**

# 30" CUTTING DECK, DEFLECTOR

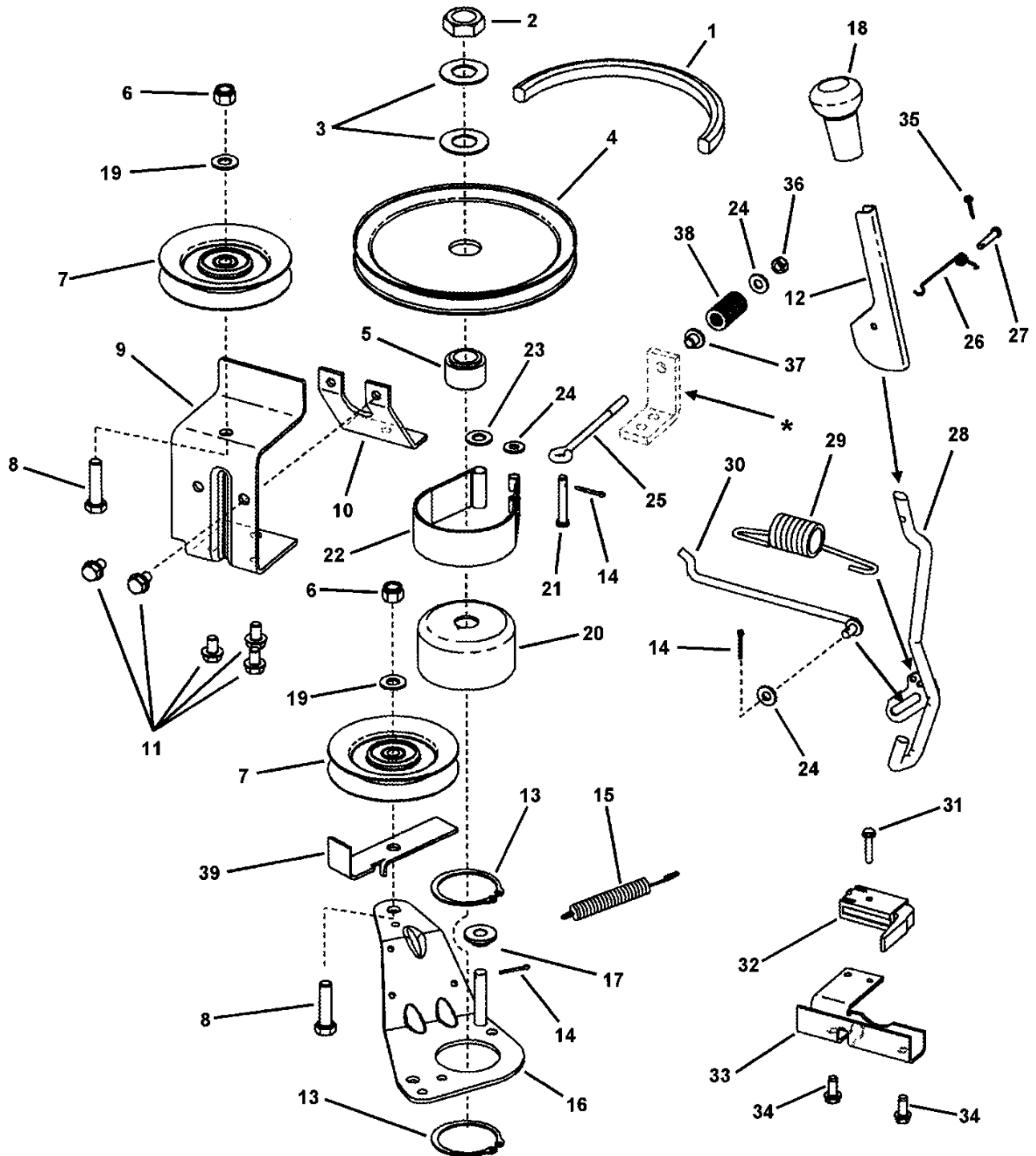


## 30" CUTTING DECK, DEFLECTOR

Item	Part No	Qty	Description	Note
1	7073434	1	COVER, Spindle	
2	7091015	2	SCREW, 1/4-20 x 3-1/2" Hex Head w/Free Spinning Washer	
3	7091016	4	SCREW, 1/4-20 x 5/8" Hex Head w/Free Spinning Washer	
4	7061971	1	DECK, 30" Replacement (Painted deck with decals)	
5	7034024	1	* BRACKET, Front Anti-Scalp	
6	7034026	1	* BRACKET, Anti-Scalp, 30" L.H. Rear	
7	7034025	1	* BRACKET, Anti-Scalp, 30" R.H. Rear	
8	7090731	8	BOLT, 5/16-18 x 1/2" Short Neck Carriage, GR 5	
9	7090585	10	NUT, 5/16-18 Hex Flange Lock, GR 5	or 7091070
10	7090859	3	* SCREW, 3/8-24 x 3-3/4" Hex Head Cap, GR 5	or 7091532
11	7015272	3	* SPACER	
12	7019190	3	* WHEEL, Gage	
13	7090289	3	* NUT, 3/8-24 Hex Center Lock, GR 5 or B	or 7091518 (3/8-24 Hex Nyloc Nut)
14	7091508	2	BOLT, 5/16-18 x 3/4" Short Neck Carriage, GR 5	
15	7091296	2	WASHER, 5/16" Flat	
16	7090492	2	NUT, 5/16-18 Wing	
17	7052553	1	ASSEMBLY, 30" Deflector (Incl. items 18, 19, 20 & 22)	
18	7026846	1	PIN, Hinge (Straight, 8-7/8" long)	
19	7024569	1	HINGE, Deflector (8" long)	
20	7016428	1	SPRING, Hinge	
21	7025047	1	DEFLECTOR, 30" Deck	
22	7013010	1	DECAL, Danger, (Cut Finger)	
23	7091510	3	BOLT, 5/16-18 x 5/8" Hex Flange Lock, GR 5	or 7090606
24	7090612	3	BOLT, 3/8-16 x 3/4" Hex Flange Lock	
25	7090613	9	NUT, 3/8-16 Hex Flange Lock	
26	7090392	2	SCREW, 1/2-20 x 1" Hex Head Cap, GR 5	
27	7090509	2	WASHER, 1/2" Internal Tooth Lock	
28	7090559	2	NUT, 1/2-20 Hex Jam	
29	7018069	1	BLADE, 30"	
30	7026565	1	BLADE, Ninja, 30"	
31	7060735	1	KIT, Air Lift (Includes items 4 thru 7)	
32	7090228	6	SCREW, 5/16-24 x 11/16" Oval Head Machine	
33	7031724	2	AIR-LIFT (30" Models)	
34	7090391	6	WASHER, 5/16" Internal Tooth Lock	
35	7090223	6	NUT, 5/16-24 Hex	

### Footnotes:

Note: \* These parts comprise # 7061157 (Gage Wheel Kit for 30" Snapper Decks). Bracket mounting fasteners are also included.



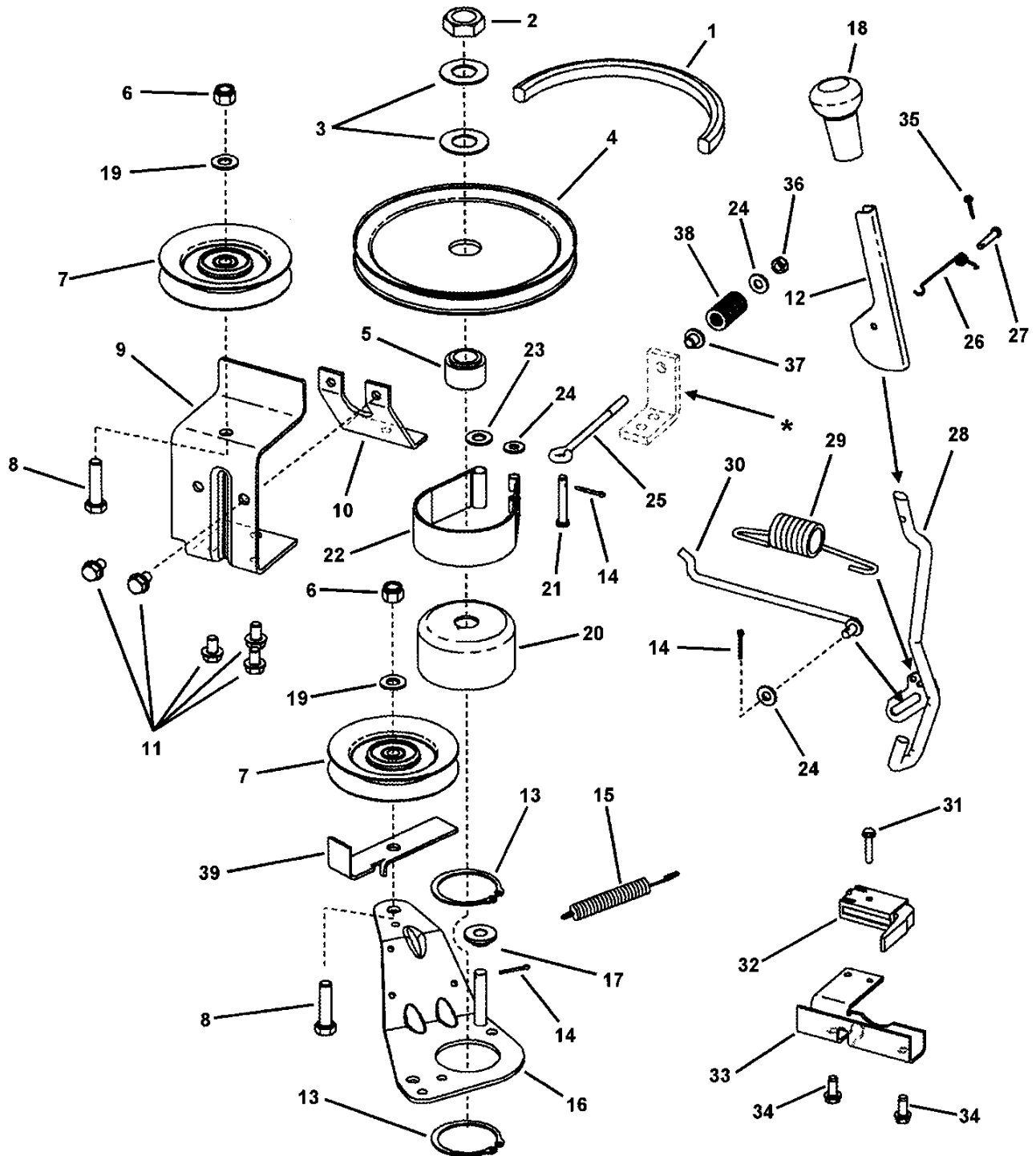
\* Ref: RAILS, LIFT ARMS, CAM LIFT page, item # 38

## BELTS, BRAKES, INTERLOCK

Item	Part No	Qty	Description	Note
1	7043844	1	* BELT, Drive (73.75" AA Section)	<i>used on 33" Deck Models</i>
1	7022252	1	* BELT, Drive (72.75" AA Section)	<i>used on 25", 28" &amp; 30" Decks</i>
2	7074467	1	NUT, 3/4-16 Hex Jam, GR 8	
3	7032027	2	WASHER, 49/64" I.D. x 1-1/2" O.D. Flat	
4	7018781	1	PULLEY, Deck	
5	7015290	1	PULLEY, Hub (Powdered Metal)	
6	7091299	2	NUT, 3/8-16 Hex Nyloc	
7	7029624	2	IDLER PULLEY, 4" Idler	
8	7091497	2	SCREW, 3/8-16 x 1-1/2" Hex Head Cap, GR 5	
9	7035728	1	BRACKET, Fixed Idler	<i>used on 33" Deck Models only</i>
10	7036526	1	BRACE, Fixed Idler Bracket	<i>used on 33" Deck Models only</i>
11	7090858	5	SCREW, 5/16-18 x 1/2" Hex Washer Self-Tap	
12	7046567	1	HANDLE, Blade Engagement (Flip)	
13	7010740	2	RING, 2" External Retaining	
14	7090037	3	PIN, 3/32 x 3/4" Cotter	
15	7036521	1	SPRING, Extension, 4" x 1/2" Diameter	
16	7047787	1	WELDMENT, Idler Arm	
17	7014314	1	SPACER, .39 x 1.0 x .31 Nylon	
18	7046874	1	GRIP, Handle	
19	7091514	2	WASHER, 3/8" Flat	
20	7035378	1	DRUM, Brake Spindle	
21	7014304	1	PIN, 1/4 x 1-5/8" Clevis	
22	7034852	1	BAND, Brake (Formed)	
23	7090122	2	WASHER, 3/8" Flat SAE	
24	7090055	4	WASHER, 1/4" Flat	
25	7046677	1	EYE-BOLT, 1/4-20 x 4"	
26	7046648	1	SPRING, Torsion, Flip Handle	
27	7091974	1	PIN, 3/16 x 1" Clevis	
28	7059254	1	WELDMENT, Blade Engagement Handle	
29	7014168	1	SPRING, Blade Handle	
30	7012055	1	ROD, Idler Control	
31	7090299	1	SCREW, #10-32 x 1" Hex Washer Head Self-Tap	
32	7018524	1	SWITCH, Deck Interlock (NO)	
33	7038021	1	MOUNT, Handle/Switch	
34	7090362	2	SCREW, 1/4-20 x 5/8" Hex Washer Head Self-Tap	
35	7090555	1	PIN, 3/32 x 1/2" Cotter	
36	7090761	1	NUT, 1/4-20 Hex Top Lock	

### Footnotes:

Note: \* Belt part numbers are printed on belts.



\* Ref: RAILS, LIFT ARMS, CAM LIFT page, item # 38

## **BELTS, BRAKES, INTERLOCK**

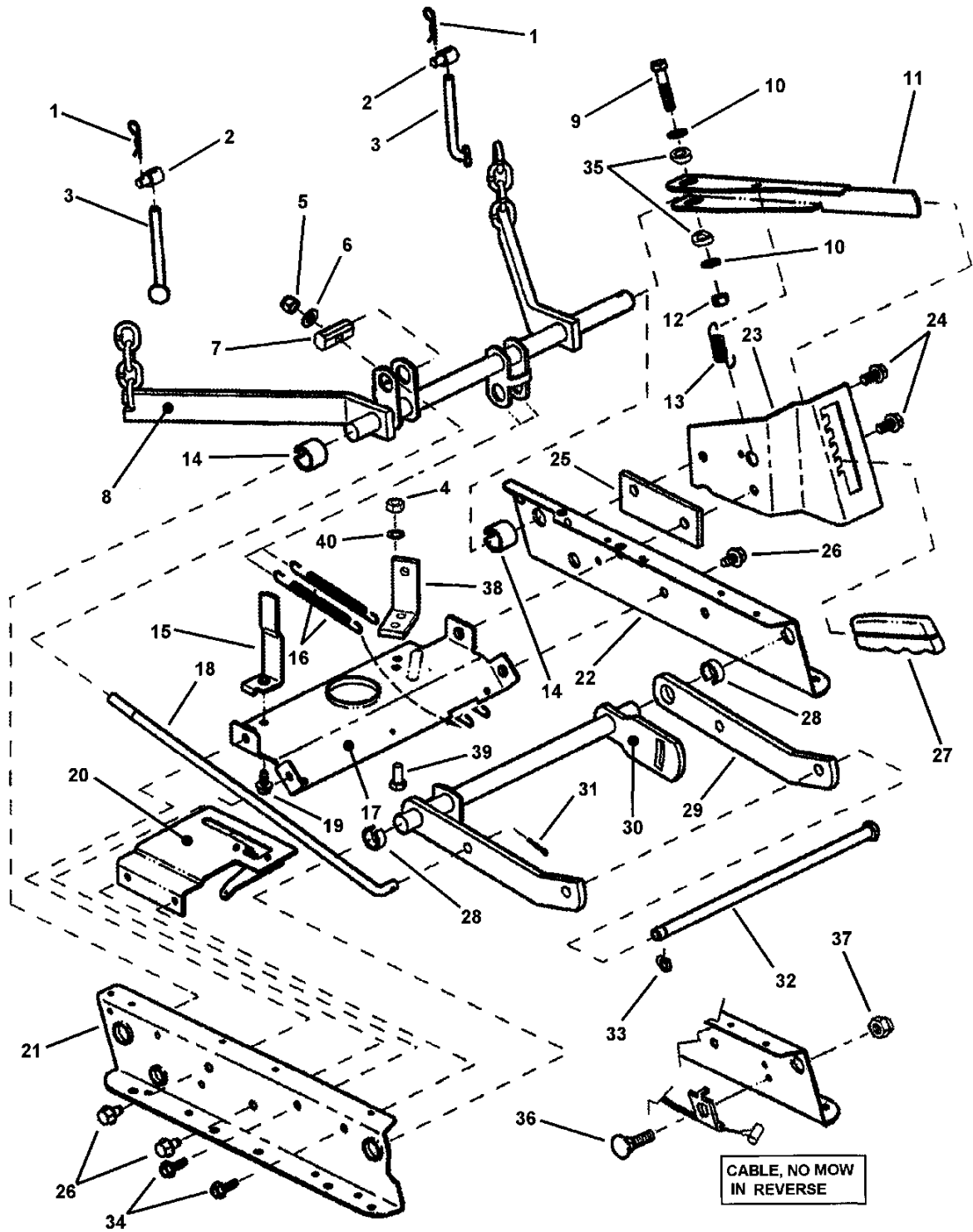
---

<b>Item</b>	<b>Part No</b>	<b>Qty</b>	<b>Description</b>	<b>Note</b>
37	7014343	1	BUSHING, Flange .27 x .35 x .4	
38	7046782	1	SPRING, Rectangular Wire Die, Blue	
39	7032111	1	RESTRICTOR, Belt	

### **Footnotes:**

Note: \* Belt part numbers are printed on belts.

**RAILS, LIFT ARMS, CAM LIFT**



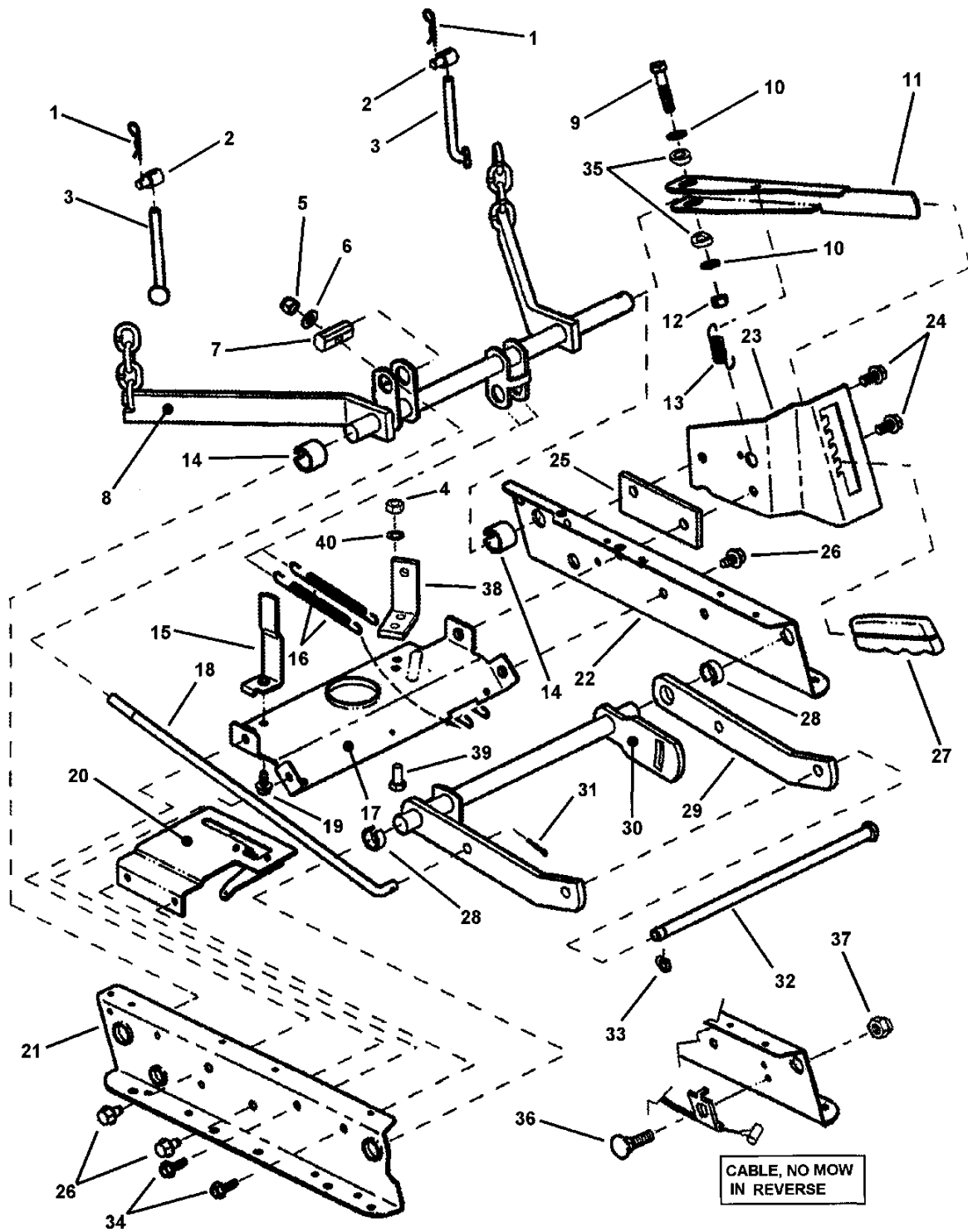


## **RAILS, LIFT ARMS, CAM LIFT**

<b>Item</b>	<b>Part No</b>	<b>Qty</b>	<b>Description</b>	<b>Note</b>
1	7091503	2	HAIR PIN, 3/32 x 1-1/2"	
2	7028200	2	SWIVEL, Adjustable	
3	7028728	2	ADJUSTER, Chain (5/16-18 thread)	
4	7091297	2	NUT, 5/16-24 Hex	or 7090223
5	7090854	1	NUT, 3/8-24 Hex Nyloc	
6	7090122	1	WASHER, 3/8" Flat SAE	
7	7034213	1	PIVOT, Leveling	
8	7059324	1	WELDMENT, Rear Lift Arm	
9	7090483	1	SCREW, 3/8-24 x 1-3/4" Hex Head Cap, GR 5	
10	7032030	2	WASHER, 13/32 x 1-1/4" Flat	
11	7046155	1	LEVER, Height of Cut	
12	7090289	1	NUT, 3/8-24 Hex Center Lock	
13	7046159	1	SPRING, Lever	
14	7012068	2	RING, Rear Lift Arm (Blue)	
15	7031855	1	GUIDE, Belt	
16	7046163	2	SPRING, Assist	
17	7031838	1	BRACE, Top	
18	7016122	1	ROD, Leveling (3/4-24 thread)	
19	7090361	1	SCREW, 5/16-18 x 5/8" Hex Washer Self-Tap	
20	7058969	1	ASSEMBLY, Clutch Plate	
21	7043848	1	RAIL, Deck Lift, Right Hand	
22	7073269	1	RAIL, Deck Lift, Left Hand	
23	7046157	1	DETENT, Height Adjust	
24	7090324	2	SCREW, 3/8-16 x 1" Hex Washer Self-Tap	
25	7046217	1	SPACER, Detent	
26	7091198	3	SCREW, 3/8-16 x 5/8" Hex Washer Self-Tap	
27	7026420	1	GRIP, Height Adjustment Lever	
28	7012067	2	RING, Front Lift Arm (Red)	
29	7032997	1	ARM, Front Lift	
30	7058041	1	WELDMENT, Front Lift Arm	
31	7090365	1	PIN, 1/8 x 3/4" Cotter	
32	7022717	1	ROD, Deck Support (Front Lift Arm to Front End)	
33	7017847	1	RING, .438 External Retaining	
34	7090858	2	SCREW, 5/16-18 x 1/2" Hex Washer Self-Tap	
35	7071920	2	SPACER, Deck Lift	
36	7092051	1	BOLT, #10-24 x 1" Flat Head Square Neck	
37	7091290	1	NUT, #10-24 Hex Nyloc	

### **Footnotes:**

**RAILS, LIFT ARMS, CAM LIFT**



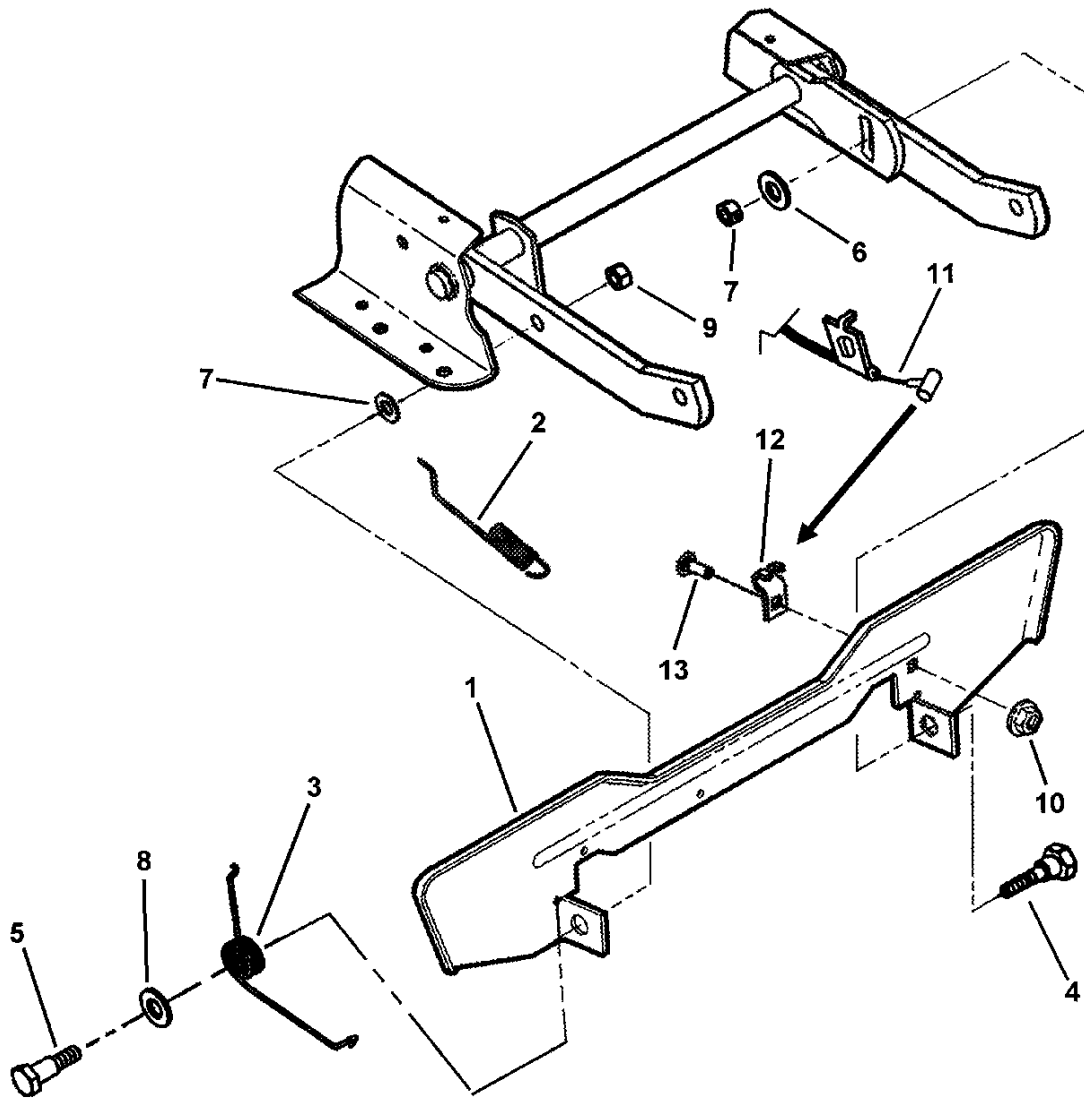
## **RAILS, LIFT ARMS, CAM LIFT**

---

<b>Item</b>	<b>Part No</b>	<b>Qty</b>	<b>Description</b>	<b>Note</b>
38	7032243	1	ANCHOR	
39	7090233	2	SCREW, 5/16-24 x 3/4" Hex Head Cap, GR 5	
40	7090391	2	WASHER, 5/16" Internal Tooth Lock	

**Footnotes:**

# BLADE STOP PEDALS



## BLADE STOP PEDALS

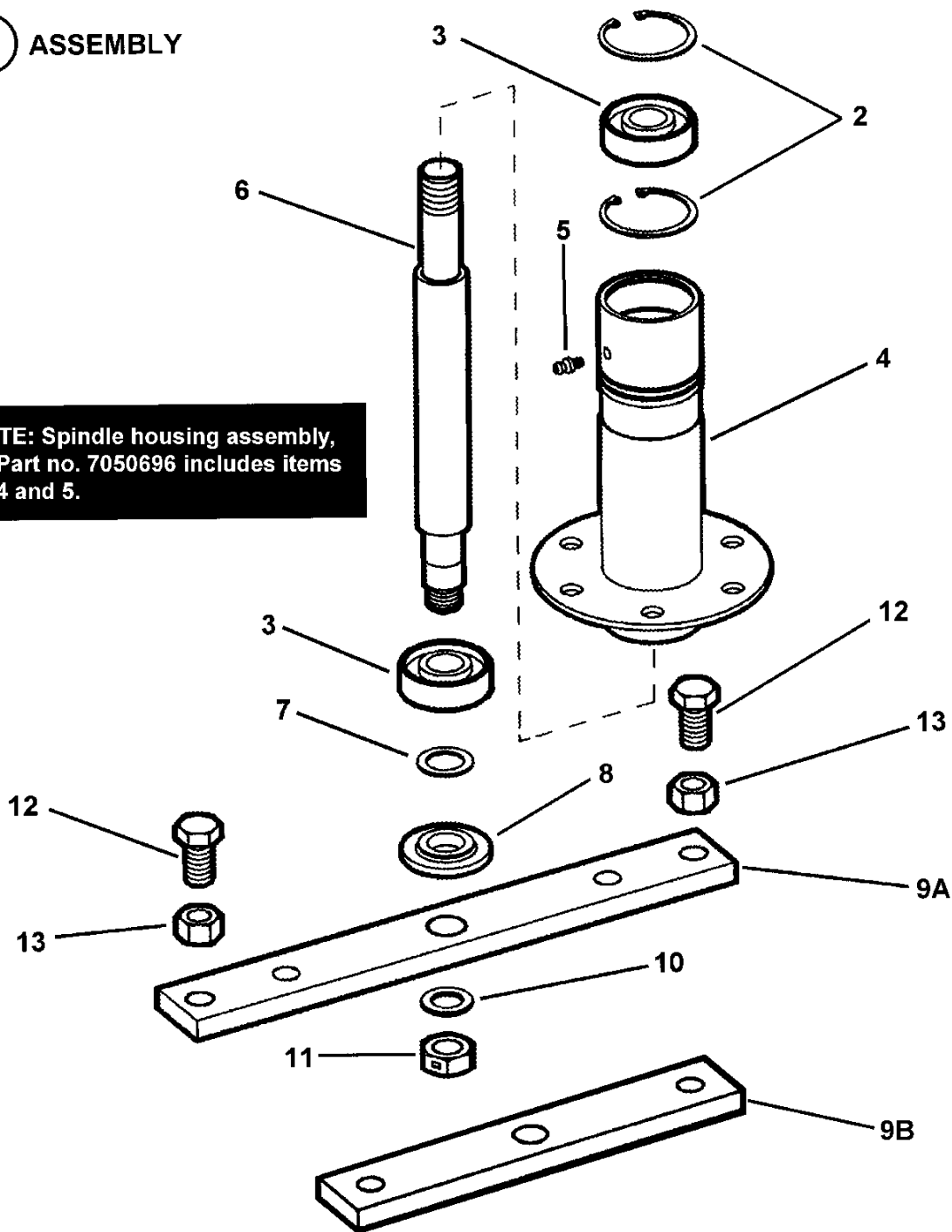
---

Item	Part No	Qty	Description	Note
1	7073267	1	FOOT PEDAL, Blade Stop Control	
2	7074649	1	SPRING, Latching (.072 dia.)	<i>replaces 7035669 (.062 dia.)</i>
3	7015448	1	SPRING, Pedal	
4	7015495	1	SHOULDER BOLT, 3/8-24 w/Nylon Patch, GR 5	
5	7015446	1	SHOULDER BOLT, 3/8-24 x 9/16"	
6	7032030	1	WASHER, Flat 13/32" ID x 1.25" x 1/8" Thick ZP	<i>was 7012063</i>
7	7091630	1	NUT, 3/8-24 Hex, GR B	<i>was 90155</i>
8	7090250	2	WASHER, 1/2" Flat SAE	
9	7090289	1	NUT, 3/8-24 Hex Center Lock	
10	7091584	1	NUT, 1/4-20 Hex Flange Lock, GR 5	
11	7073216	1	CABLE ASSEMBLY, No Reverse in Mow	
12	7073217	1	CLIP, Cable	
13	7091530	1	BOLT, 1/4-20 x 3/4" Square Neck Carriage, GR 5	<i>was 91776</i>

### Footnotes:

1 ASSEMBLY

**NOTE: Spindle housing assembly,  
Part no. 7050696 includes items  
4 and 5.**



## SPINDLE

Item	Part No	Qty	Description	Note
1	7054531	1	ASSEMBLY, Spindle Housing (Incl. items 2 thru 9A & 10 thru 13)	<i>used on 33" deck</i>
1	7058049	1	ASSEMBLY, Spindle Housing (Incl. items 2 thru 8 & 9B thru 11)	<i>used on 28" &amp; 30" decks</i>
2	7012491	2	RING, 1.85" Internal Retaining	
3	7013313	2	BEARING, Spindle	
4	7040460	1	WELDMENT, Spindle Housing	
5	7010817	1	LUBE FITTING, 3/16" Press-In	
6	7044785	1	SPINDLE, Rider (10.327" overall length)	
7	7010935	1	WASHER, .77 x 1.13 x .06 Flat	
8	7014407	1	WASHER, Spindle	
9A	7037751	1	HOLDER, Blade	<i>used on 33" deck</i>
9B	7031184	1	HOLDER, Blade	<i>used on 28" &amp; 30" decks</i>
10	7044782	1	SPACER, Blade Centering	
11	7090356	1	NUT, 5/8-18 Hex Center Lock Jam	
12	7090491	2	SCREW, 1/2-20 x 1-1/4" Hex Head Cap, GR 5	
13	7091939	2	NUT, 1/2-20 Hex, GR 5 or B	

### Footnotes:

**SNAPPER**

**OHV**

**ELECTRIC START SNAPPER BACK-UP RECOIL**

**DANGER**  
 • BLADES MUST BE TURNED OFF BEFORE BACKING MACHINE  
 • DO NOT ALLOW CHILDREN ON MACHINE (EVEN WITH BLADES OFF) OR IN YARD WHEN MOWING

**DANGER**  
 KEEP HANDS and FEET AWAY

**WARNING**  
 GUARD OR ENTIRE GRASS CATCHER MUST BE INSTALLED BEFORE OPERATING MOWER

**28 INCH PATENTED HI-VAC**

**30 INCH**

**33 INCH PATENTED HI-VAC**

**CAUTION**  
 POSITIVE (+) BATTERY POST MUST BE TO REAR TO PREVENT ARCING AND POSSIBLE EXPLOSION OR FIRE.  
 USE ONLY SNAPPER REPLACEMENT BATTERY TO AVOID ACID DAMAGE.

REMOVE BATTERY BEFORE STANDING MOWER ON END FOR MORE THAN 2 HOURS !

TO STAND ON END: CLOSE CAP VENT AND REMOVE TANK IF FUEL IS OVER 3/4 FULL

**BEFORE STARTING ENGINE OR DISMOUNTING MOWER**  
 • PRESS CLUTCH/BRAKE PEDAL FULLY  
 • ENGAGE PARKING BRAKE  
 • BLADE LEVER MUST BE "OFF"  
 • MOVE SHIFT LEVER TO "N" NEUTRAL

**WARNING**  
**AVOID SERIOUS INJURY OR DEATH**  
 • READ ALL MANUALS AND INSTRUCTIONS FURNISHED WITH THE MACHINE.  
 • MAKE SURE THAT SHIELDS, GUARDS, SWITCHES, AND OTHER SAFETY DEVICES ARE IN PROPER POSITION AND FUNCTIONAL.  
 • CLEAR MOWING AREA OF WIRE, ROCKS AND OTHER OBJECTS THAT COULD CAUSE INJURY IF THROWN BY BLADE.  
 • DO NOT ALLOW CHILDREN (PRE-TEENAGERS) ON MACHINE (EVEN WITH BLADE OFF) OR IN YARD WHEN MOWING. KEEP OTHERS SAFELY AWAY FROM THE OPERATING AREA.  
 • LOOK DOWN AND BEHIND MACHINE BEFORE AND WHILE BACKING.  
 • DO NOT MOW ON SLOPES, OR IN ANY AREA WHERE STABILITY OR TRACTION IS IN DOUBT. IF YOU CAN NOT BACK-UP A SLOPE, DO NOT MOW ON IT.  
 • DO NOT MOW ACROSS FACE OF SLOPES. REDUCE SPEED AND AVOID SHARP TURNS ON SLOPES.  
 • AVOID UPHILL STARTS. IF THE MACHINE IS STOPPED GOING UP A SLOPE, TURN BLADE OFF AND BACK DOWN THE SLOPE.  
 • STOP BLADE BEFORE PUTTING FOOT ON GROUND OR LEAVING SEAT.  
 • AVOID SUDDEN TURNS.

**WARNING**  
**Avoid serious injury or death**  
 • Read the operator's manual before using machine  
 • Keep safety devices (guards, shields, switches, etc.) in place and working.  
 • Disengage all drives, shut off engine and remove key before leaving operating zone.  
 • Removes objects that could be thrown by the blade.  
**Amputation hazard**  
 • Do not mow when children or others are around.  
 • Do not carry riders (especially children) even with the blades off. They may fall off or return for another ride when you are not expecting it.  
 • Look down and behind before and while backing.  
**Fire hazard**  
 • Keep unit cleaned of debris  
 • Allow engine to cool for at least 3 minutes before refueling.  
**Roll-over hazard**  
 • Go up and down slope, not across  
 • If machine stops while going uphill stop the blades and back down slowly  
 • Avoid sudden turns and slopes over 10°

MOWER BELTS AND BLADES	
<b>28" MOWER</b>	
MOWER BELT	22252
MOWER BLADE	35635
<b>30" MOWER</b>	
MOWER BELT	22252
MOWER BLADE	18069
<b>33" MOWER</b>	
MOWER BELT	43844
MOWER BLADE	34168
<b>42" MOWER</b>	
MOWER BELT	28784
MOWER BLADE	26691

USE ONLY GENUINE SNAPPER REPLACEMENT PARTS TO ASSURE THAT ORIGINAL STANDARDS ARE MAINTAINED.

**NOTICE**  
 Remove battery before standing mower on end for more than 2 hours.

**DANGER**  
**Carbon monoxide hazard**  
 • Only operate machine outdoors.  
 • Avoid inhaling exhaust fumes.

**CAUTION Fire hazard**  
 Before standing unit on end  
 • Close cap vent  
 • Remove tank if over 3/4 full.

**DANGER**  
**Amputation and thrown objects hazard**  
 • Keep hands and feet away from deck.  
 • Do not operate mower unless discharge chute or entire grass catcher is in its proper place.

**CAUTION**  
**Explosion hazard**  
 • Positive (+) battery post must be to rear to prevent arcing.  
 • Use only Snapper replacement battery to avoid acid damage.

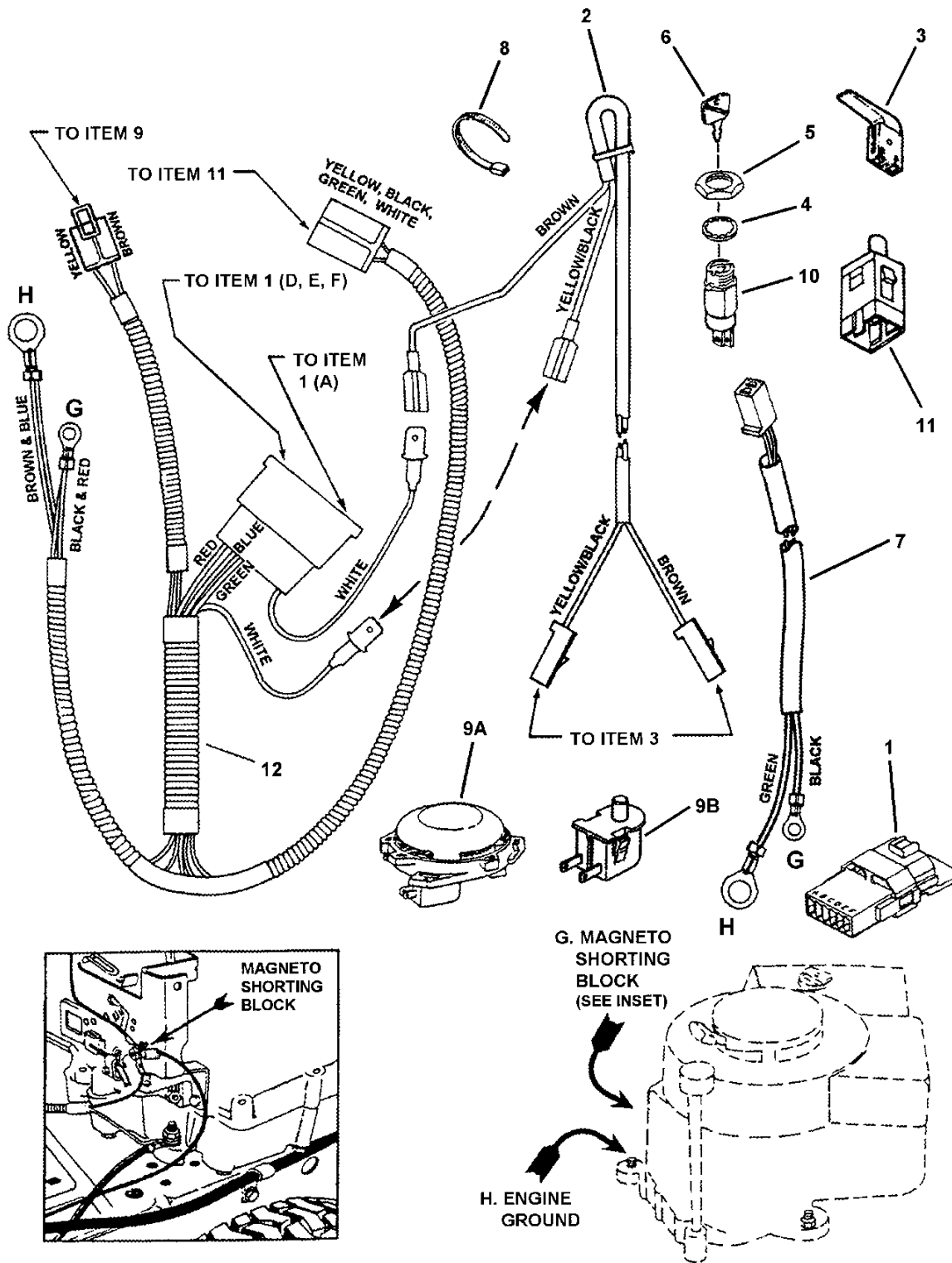


## DECALS

Item	Part No	Qty	Description	Note
1	7071916	1	DECAL, SNAPPER	
2	7023982	1	DECAL, OHV (33" Kohler Engine Models)	
3	7023980	1	DECAL, Back-Up Recoil (33" Kohler Engine Models)	
4	7046218	1	DECAL, Height of Cut	
5	7026831	1	DECAL, Danger (CPSC)	
6	7046720	1	DECAL, Chute/Deflector Warning	
7	7023996	1	DECAL, 28 Inch (Hi-Vac)	
8	7023997	1	DECAL, 30 Inch	
9	7022991	1	DECAL, 33 Inch (Hi-Vac)	
10	7015691	1	DECAL, Battery Caution	
11	7012358	1	DECAL, Battery	
12	7029113	1	DECAL, Caution, Fuel (English)	
13	7074481	1	DECAL, No Mow in Reverse	
14	7046440	1	DECAL, Safety Instructions	
15	7101111	1	DECAL, Warning, Safety Panel	
16	7075607	1	DECAL, Service Parts, Domestic	
17	7101109	1	DECAL, Remove Battery	
18	7101112	1	DECAL, Danger, Safety Panel	
19	7101107	1	DECAL, Caution, Fuel	
20	7101108	1	DECAL, Caution, Battery	
21	7101110	1	DECAL, Danger, Deck	
--	--	1	DECAL, Patent Numbers	<i>not shown, not a service part</i>

### Footnotes:

**ELECTRICAL SYSTEMS (For 9, 11 & 11.5HP Briggs Recoil)**



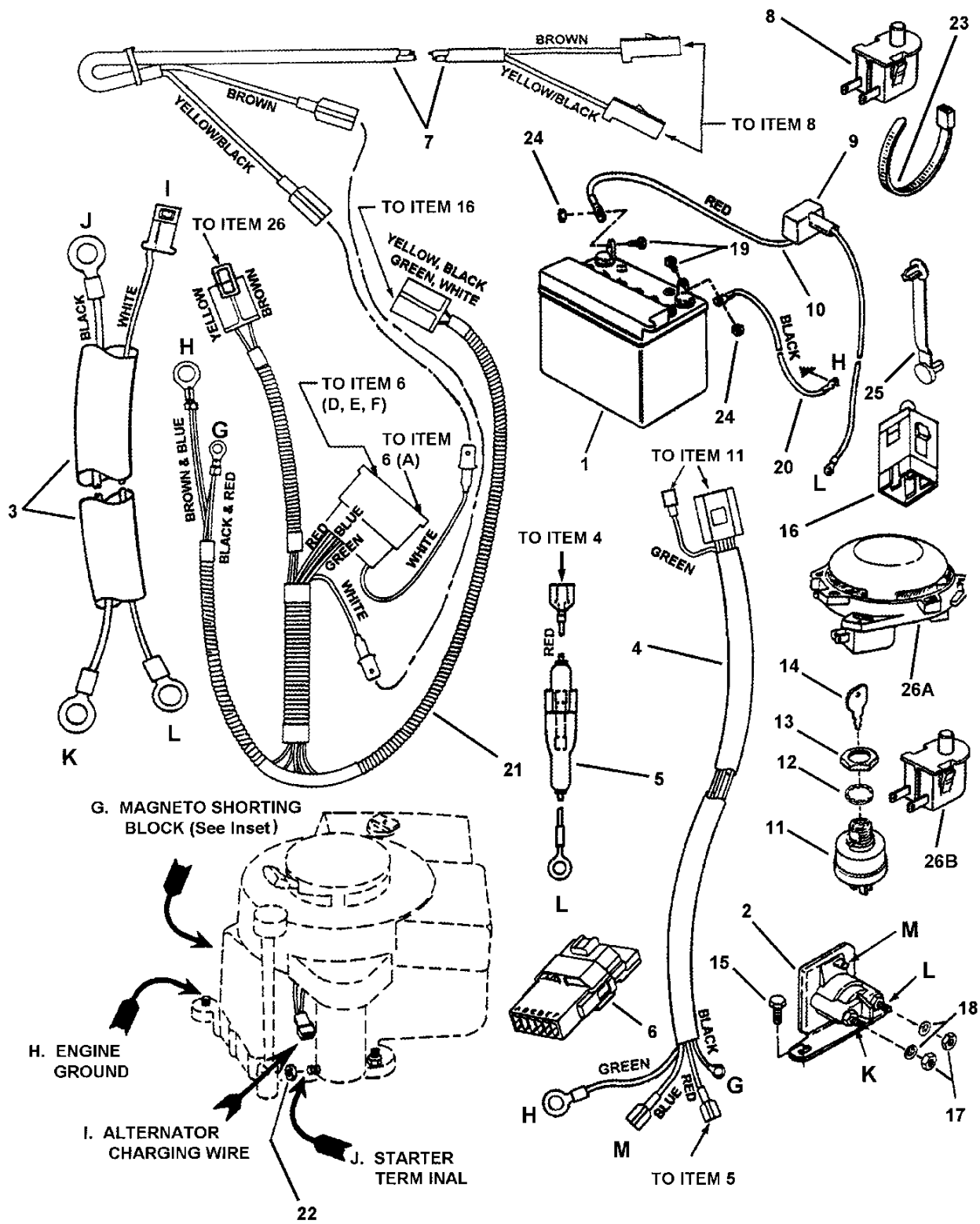
## ***ELECTRICAL SYSTEMS (For 9, 11 & 11.5HP Briggs Recoil)***

---

<b>Item</b>	<b>Part No</b>	<b>Qty</b>	<b>Description</b>	<b>Note</b>
1	7063064	1	INTERLOCK MODULE, Briggs	<i>was 28606</i>
2	7028386	1	HARNESS (Deck Interlock Wiring)	
3	7018524	1	SWITCH, Deck Interlock (NO)	
4	7090880	1	WASHER, 5/8" Internal Tooth Lock	
5	7015438	1	NUT, 5/8-32 Hex	
6	7011138	1	IGNITION KEY, Pair	
7	7073714	1	HARNESS, Ground (Recoil Start)	
8	7012080	3	CABLE TIE, 7"	
9A	7029211	1	SWITCH, Seat, Quick Mount (NC)	<i>used on 11 &amp; 13 HP Engines</i>
9B	7023354	1	SWITCH, Seat (NC)	<i>used on 11-1/2 HP Engines</i>
10	7017817	1	SWITCH, Ignition (2-Pole) (Recoil Start)	
11	7022886	1	SWITCH, Operator Presence Control (OPC) Traction (NC/NO)	
12	7028607	1	HARNESS, Operator Presence Control (OPC) Wire	

### **Footnotes:**

**ELECTRICAL SYSTEMS (For 10, 11, 12, 12.5 & 13HP Briggs)**



## ***ELECTRICAL SYSTEMS (For 10, 11, 12, 12.5 & 13HP Briggs)***

<b>Item</b>	<b>Part No</b>	<b>Qty</b>	<b>Description</b>	<b>Note</b>
1	7060753	1	KIT, 12 Volt Dry Charge Battery, 220 CCA	
2	7075671	1	SOLENOID, Super-Trombetta	<i>replaces 7018817</i>
3	7022788	1	HARNESS, Starter Wiring (Briggs Engines)	
4	7073715	1	HARNESS, Ignition Wiring (Briggs Engines)	
5	7016168	1	HOLDER, Fuse (Includes Fuse)	
--	7016169	1	FUSE, 10 Amp (Not shown)	
6	7063064	1	INTERLOCK MODULE, Briggs	<i>was 28606</i>
7	7028386	1	HARNESS (Deck Interlock Wiring)	
8	7018524	1	SWITCH, Deck Interlock (NO)	
9	7012444	1	COVER, Battery Cable	
10	7019326	1	WIRE, Positive (Red, 17" long)	
11	7073797	1	SWITCH, Ignition, 4 Terminal, Indak	
12	7090880	1	WASHER, 5/8" Internal Tooth Lock	
13	7015438	1	NUT, 5/8-32 Hex	
14	7011138	1	IGNITION KEY, Pair	
15	7090539	3	SCREW, 1/4-20 x 1/2" Hex Washer Self-Tap	
16	7022886	1	SWITCH, Operator Presence Control (OPC) Traction (NC/NO)	
17	7091576	4	NUT, 1/4-20 Hex, GR 5 or B	
18	7090053	2	WASHER, 1/4" Internal Tooth Lock	
19	7027172	2	SCREW, 1/4-20 x 5/8" Hex Head Cap. GR 5	
20	7028027	1	WIRE, Negative, Black (15" long)	
21	7028607	1	HARNESS, Operator Presence Control (OPC) Wire	
22	7091576	1	NUT, 1/4-20 Hex, GR 5 or B	
23	7012080	2	CABLE TIE, 7"	
24	7090372	2	NUT, 1/4-20 Hex Center Lock, GR 5 or B	
25	7014451	1	CABLE TIE	
26A	7029211	1	SWITCH, Seat (NC)	<i>used on 11 &amp; 13HP Engines</i>
26B	7023354	1	SWITCH, Seat (NC)	<i>used on 12.5 &amp; 13 HP Briggs only</i>

### **Footnotes:**



## ***ELECTRICAL SYSTEMS (For 13.5, 15, 16 & 17HP Briggs)***

<b>Item</b>	<b>Part No</b>	<b>Qty</b>	<b>Description</b>	<b>Note</b>
1	7060753	1	KIT, 12 Volt Dry Charge Battery, 220 CCA	
2	7075671	1	SOLENOID, Super-Trombetta	
3	7022788	1	HARNESS, Starter Wiring (Briggs)	
4	7074406	1	HARNESS, Ignition Wiring (Briggs)	
5	7016168	1	HOLDER, Fuse (Includes Fuse)	
--	7016169	1	FUSE, 10 Amp (Not shown)	
6	7063064	1	INTERLOCK MODULE, Briggs & Kohler	<i>was 28606</i>
7	7028386	1	HARNESS (Deck Interlock Wiring)	
8	7018524	1	SWITCH, Deck Interlock (NO)	
9	7012444	1	COVER, Battery Cable	
10	7019326	1	WIRE, Positive (Red, 17" long)	
11	7026343	1	SWITCH, Ignition-Afterfire Solenoid	
12	7090880	1	WASHER, 5/8" Internal Tooth Lock	
13	7015438	1	NUT, 5/8-32 Hex	
14	7011138	1	IGNITION KEY, Pair	
15	7090539	3	SCREW, 1/4-20 x 1/2" Hex Washer Self-Tap	
16	7022886	1	SWITCH, Operator Presence Control (OPC) Traction (NC/NO)	
17	7091576	4	NUT, 1/4-20 Hex, GR 5 or B	
18	7090053	2	WASHER, 1/4" Internal Tooth Lock	
19	7027172	2	SCREW, 1/4-20 x 5/8" Hex Head Cap, GR 5	
20	7028027	1	WIRE, Negative, Black (15" long)	
21	7028675	1	HARNESS, Operator Presence Control (OPC) Wire	
22	7091576	4	NUT, 1/4-20 Hex, GR 5 or B	
23	7012080	2	CABLE TIE, 7"	
24	7090372	2	NUT, 1/4-20 Hex Center Lock, GR 5 or B	
25	7014451	1	CABLE TIE	
26	7012485	2	RETAINER, 1/4" Bolt	
27	7023354	1	SWITCH, Seat (NC)	<i>for use with 7075071 seat</i>

### **Footnotes:**





## ***ELECTRICAL SYSTEMS (For 11 & 13HP Honda)***

---

<b>Item</b>	<b>Part No</b>	<b>Qty</b>	<b>Description</b>	<b>Note</b>
1	7060753	1	KIT, 12 Volt Dry Charge Battery, 220 CCA	
2	--	1	SOLENOID (not shown, part of engine)	<i>No Snapper part number. Purchase from engine manufacturer.</i>
3	7054589	1	HARNESS, Starter Wiring (Honda)	
4	7074962	1	HARNESS, Ignition Wiring	
5	7014451	1	CABLE TIE, 3.19" long	
6	7063064	1	INTERLOCK MODULE, Briggs & Kohler	<i>was 28606</i>
7	7028386	1	HARNESS (Deck Interlock Wiring)	
8	7018524	1	SWITCH, Deck Interlock (NO)	
9	7012444	1	COVER, Battery Cable	
10	7023354	1	SWITCH, Seat (NC)	
11	7073797	1	SWITCH, Ignition, 4 Terminal, Indak	
12	7090880	1	WASHER, 5/8" Internal Tooth Lock	
13	7015438	1	NUT, 5/8-32 Hex	
14	7011138	1	IGNITION KEY, Pair	
16	7022886	1	SWITCH, Operator Presence Control (OPC) Traction (NC/NO)	
19	7027172	2	SCREW, 1/4-20 x 5/8" Hex Head Cap. GR 5	
20	7028027	1	WIRE, Negative, Black (15" long)	
21	7074963	1	HARNESS, Operator Presence Control (OPC) Wire	
23	7012080	2	CABLE TIE, 7"	
24	7090372	2	NUT, 1/4-20 Hex Center Lock, GR 5 or B	
25	7012485	2	RETAINER, 1/4" Bolt	

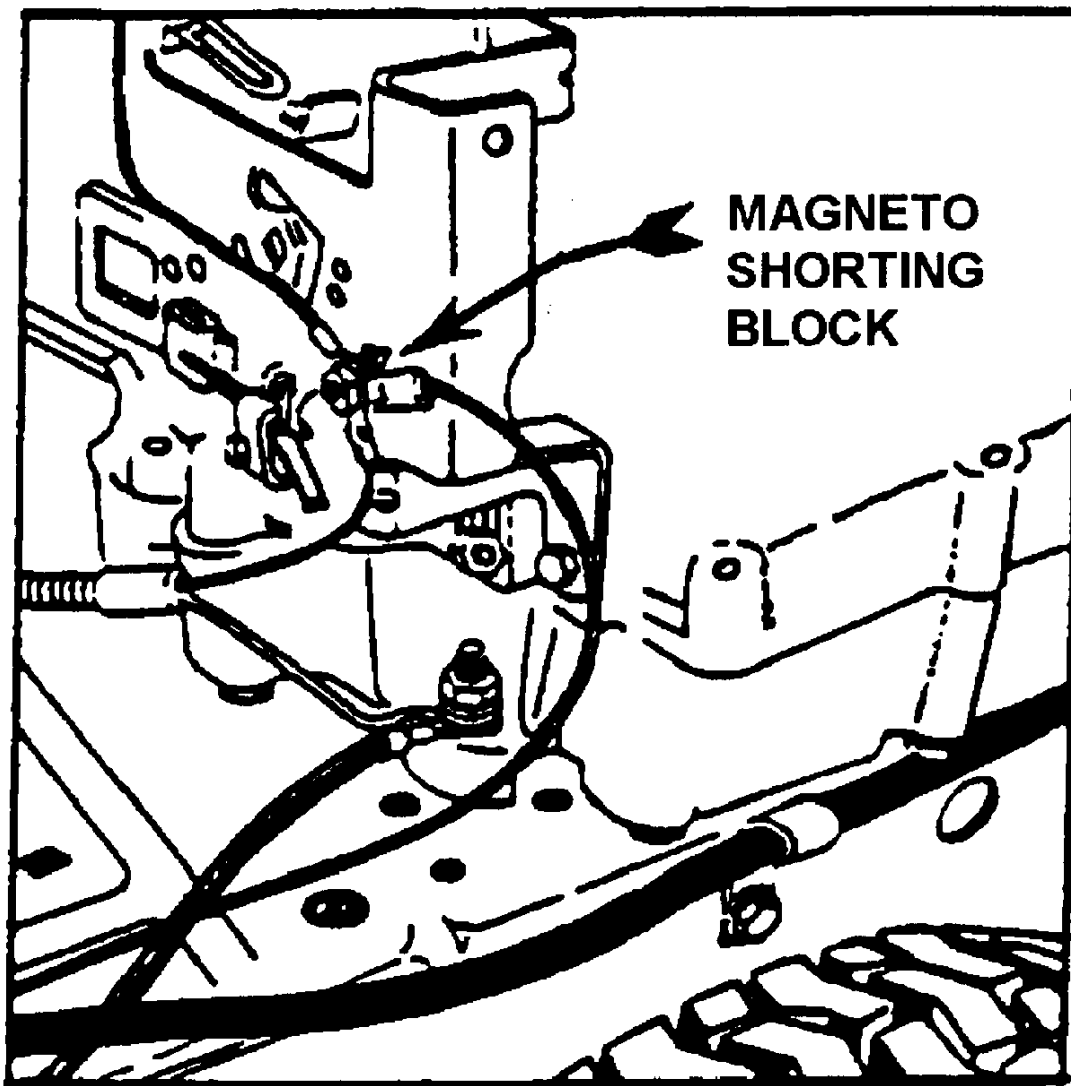
### **Footnotes:**



## ***ELECTRICAL SYSTEMS (For 15HP Kohler)***

<b>Item</b>	<b>Part No</b>	<b>Qty</b>	<b>Description</b>	<b>Note</b>
1	7060753	1	KIT, 12 Volt Dry Charge Battery, 220 CCA	
2	7075671	1	SOLENOID, Super-Trombetta	<i>replaces 7018817</i>
3	7019321	1	HARNESS, Starter Wiring (Kohler Engines)	
4	7074405	1	HARNESS, Ignition Wiring (15HP Kohler Engines)	
5	7016168	1	HOLDER, Fuse (Includes Fuse)	
--	7016169	1	FUSE, 10 Amp (Not shown)	
6	7063064	1	INTERLOCK MODULE, Briggs & Kohler	<i>was 28606</i>
7	7028386	1	HARNESS (Deck Interlock Wiring)	
8	7018524	1	SWITCH, Deck Interlock (NO)	
9	7012444	1	COVER, Battery Cable	
10	7019326	1	WIRE, Positive (Red, 17" long)	
11	7073797	1	SWITCH, Ignition, 4 Terminal, Indak	
12	7090880	1	WASHER, 5/8" Internal Tooth Lock	
13	7015438	1	NUT, 5/8-32 Hex	
14	7011138	1	IGNITION KEY, Pair	
15	7090539	3	SCREW, 1/4-20 x 1/2" Hex Washer Self-Tap	
16	7022886	1	SWITCH, Operator Presence Control (OPC) Traction (NC/NO)	
17	7091576	1	NUT, 1/4-20 Hex, GR 5 or B	
18	7090053	2	WASHER, 1/4" Internal Tooth Lock	
19	7027172	2	SCREW, 1/4-20 x 5/8" Hex Head Cap, GR 5	
20	7028027	1	WIRE, Negative, Black (15" long)	
21	7028678	1	HARNESS, Operator Presence Control (OPC) Wire	
22	7091576	1	NUT, 1/4-20 Hex, GR 5 or B	
23	7012080	2	CABLE TIE, 7"	
24	7090372	2	NUT, 1/4-20 Hex Center Lock, GR 5 or B	
25	7014451	1	CABLE TIE, 3.19" long	
26	7012485	2	RETAINER, 1/4" Bolt	
27	7029211	1	SWITCH, Seat (NC)	

### **Footnotes:**

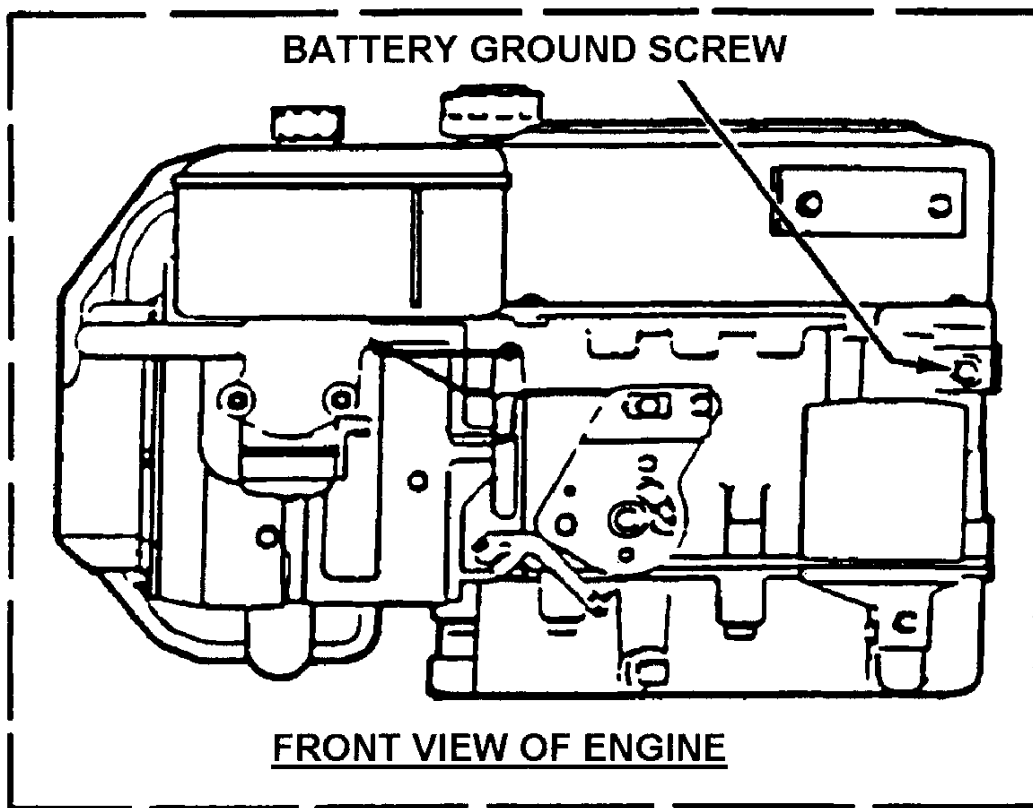


## ***ELECTRICAL SYSTEMS (Briggs Magneto Ground)***

---

<b>Item</b>	<b>Part No</b>	<b>Qty</b>	<b>Description</b>	<b>Note</b>
--	--		View shows engine magneto ground connection on throttle plate	

**Footnotes:**



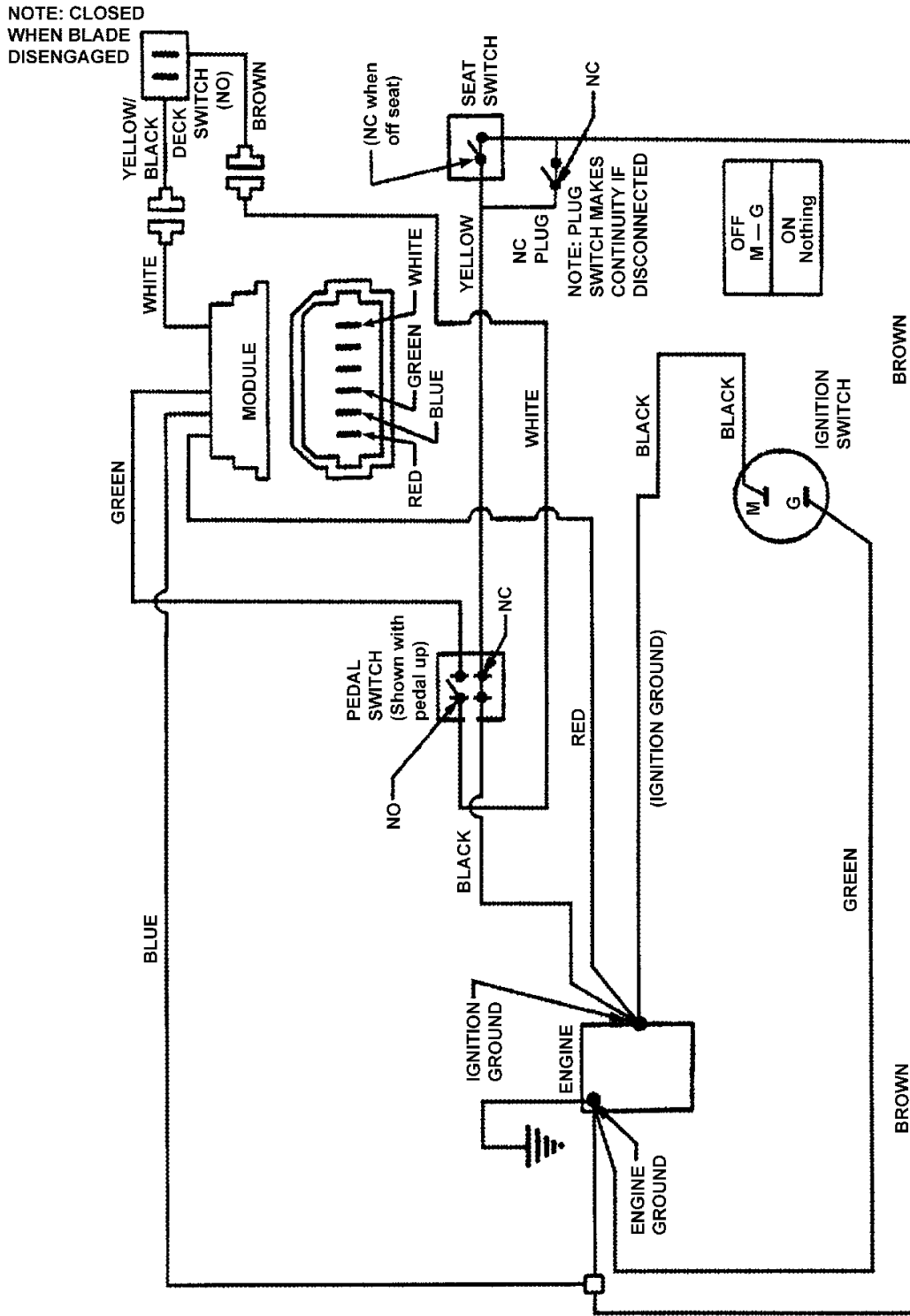
## ***ELECTRICAL SYSTEMS (Kohler Magneto Ground)***

---

<b>Item</b>	<b>Part No</b>	<b>Qty</b>	<b>Description</b>	<b>Note</b>
--	--		View shows engine magneto ground area	

**Footnotes:**

**WIRING SCHEMATIC (9, 11 & 11.5HP Recoil Start Briggs)**



**WIRING SCHEMATIC FOR 9, 11 & 11.5HP RECOIL START (Briggs Engines)**



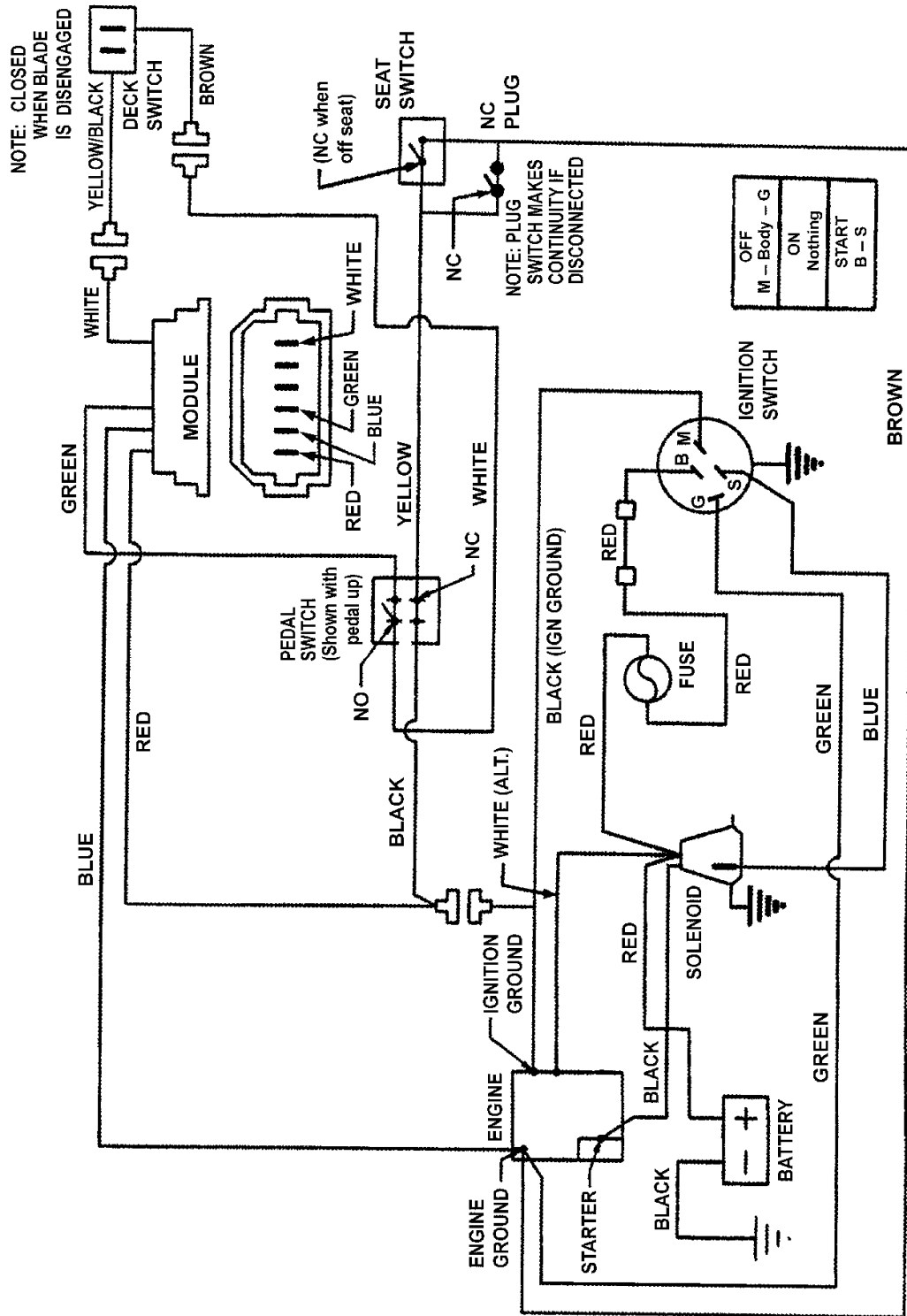
## **WIRING SCHEMATIC (9, 11 & 11.5HP Recoil Start Briggs)**

---

<b>Item</b>	<b>Part No</b>	<b>Qty</b>	<b>Description</b>	<b>Note</b>
--	--		Wiring Schematic incl. harness #'s 7028386, 7073714 & 7028607	

**Footnotes:**

**WIRING SCHEMATIC (10, 11, 12, 12.5 & 13 HP Briggs)**



**WIRING SCHEMATIC FOR 10, 11, 12, 12.5 & 13HP Briggs Engines**

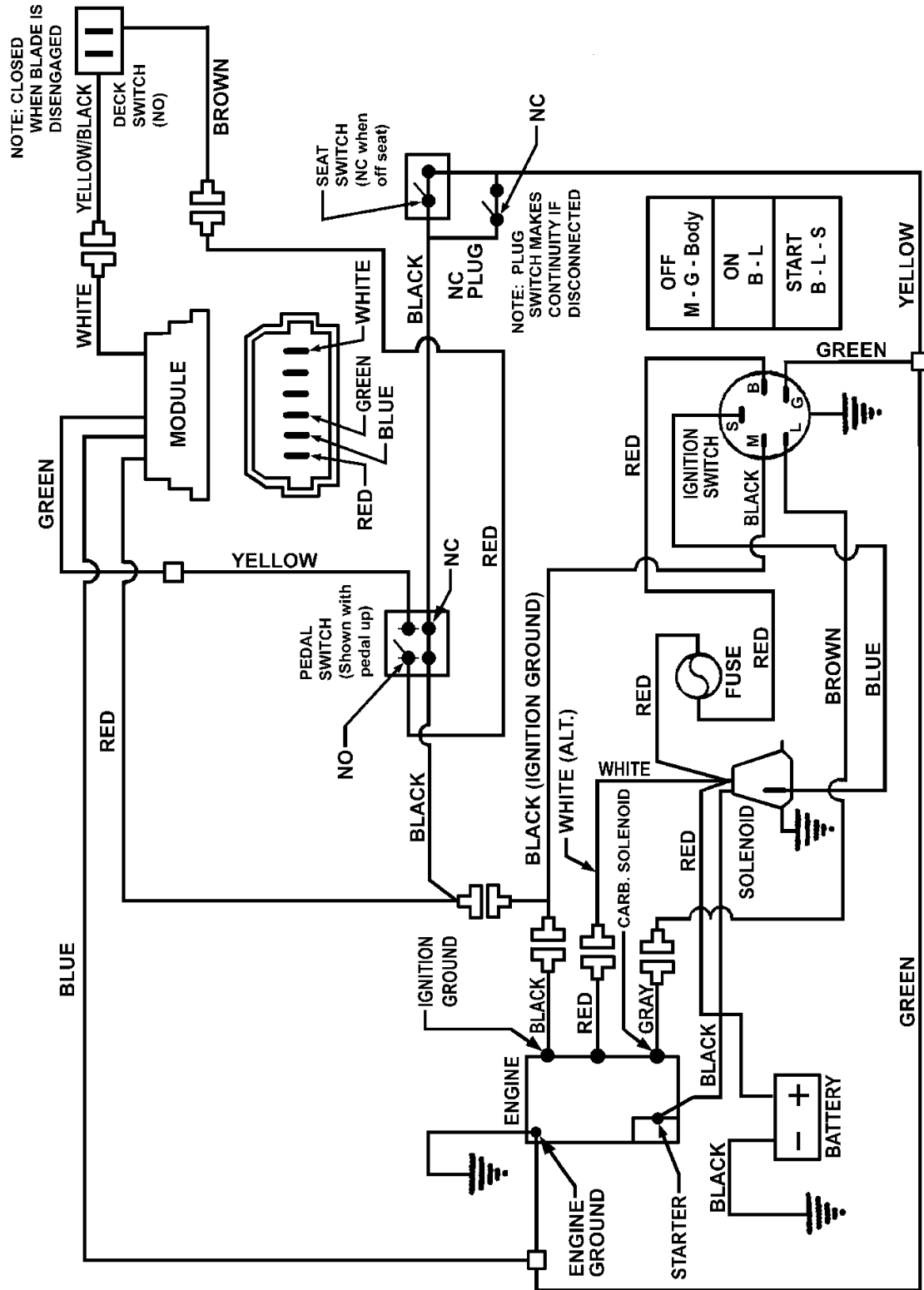
## **WIRING SCHEMATIC (10, 11, 12, 12.5 & 13 HP Briggs)**

---

<b>Item</b>	<b>Part No</b>	<b>Qty</b>	<b>Description</b>	<b>Note</b>
--	--		Wiring Schematic incl. harness #'s 7022788, 7073715 & 7028607	

**Footnotes:**

**WIRING SCHEMATIC (13.5, 15, 16 & 17 HP Briggs Engines)**



**WIRING SCHEMATIC for 13.5, 15 & 17HP (Briggs Engine)**

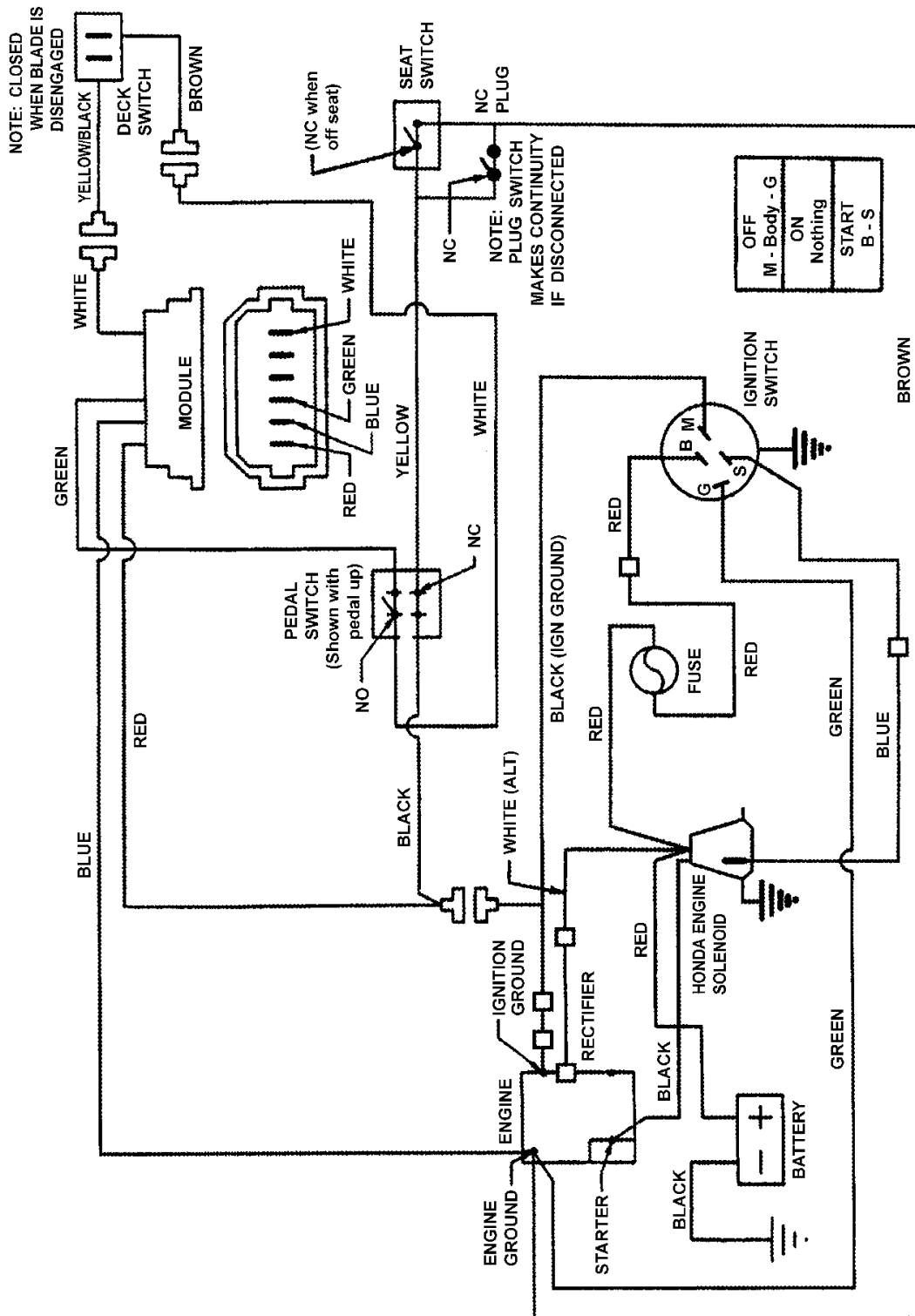
## **WIRING SCHEMATIC (13.5, 15, 16 & 17 HP Briggs Engines)**

---

<b>Item</b>	<b>Part No</b>	<b>Qty</b>	<b>Description</b>	<b>Note</b>
--	--		Wiring Schematic incl. harness #'s 7022788, 7074406, 7028675 & 7015430	

**Footnotes:**

**WIRING SCHEMATIC (11 & 13 HP Honda Engines)**



**WIRING SCHEMATIC FOR 11 & 13HP HONDA**

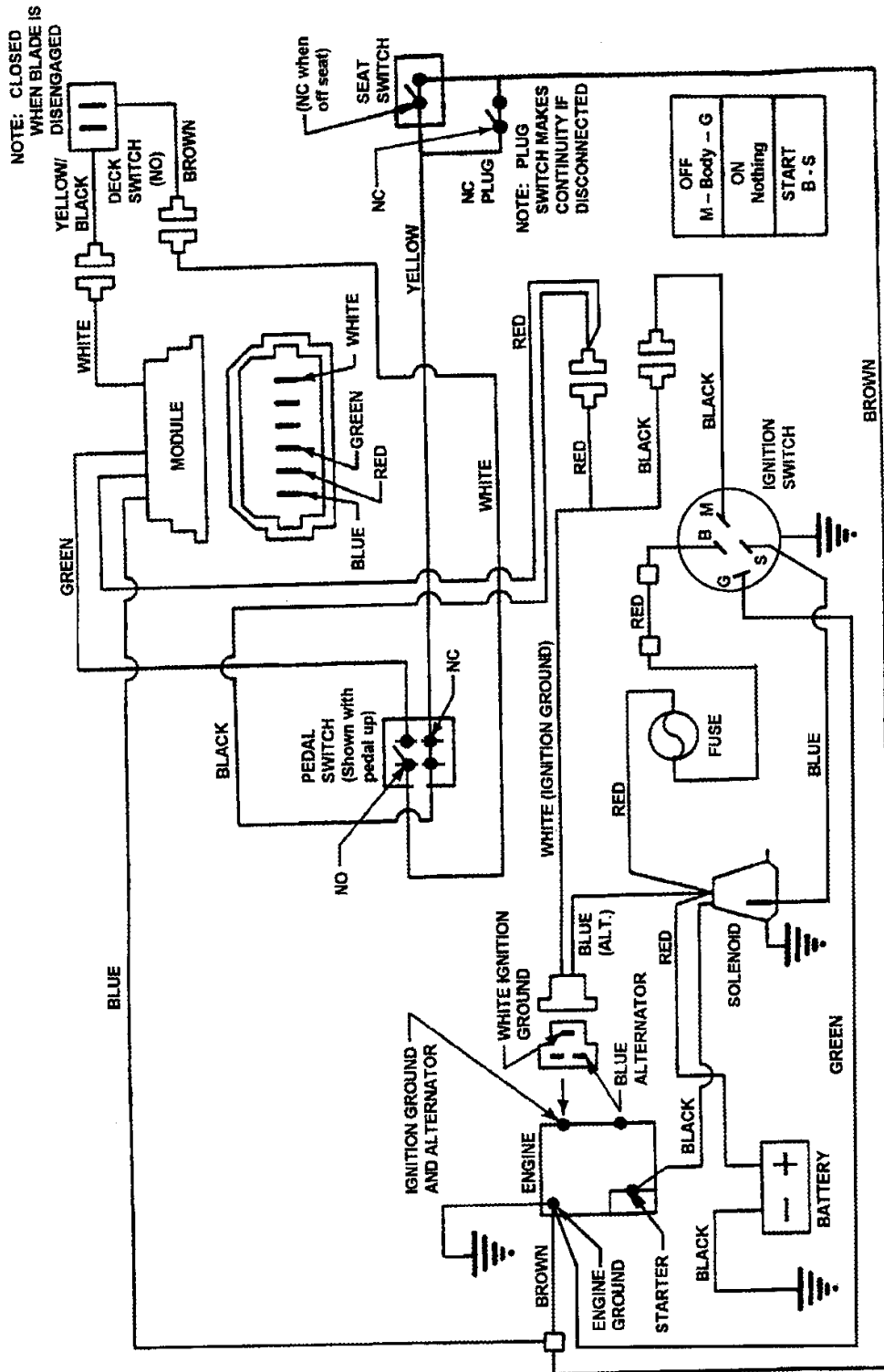
## **WIRING SCHEMATIC (11 & 13 HP Honda Engines)**

---

<b>Item</b>	<b>Part No</b>	<b>Qty</b>	<b>Description</b>	<b>Note</b>
--	--		Wiring Schematic incl. harness #'s 7054589, 7074962, 7028386 & 7074963	

**Footnotes:**

**WIRING SCHEMATIC (14 & 15 HP Kohler Engines)**



**WIRING SCHEMATIC FOR 14 & 15 HP (Kohler Engines)**



## **WIRING SCHEMATIC (14 & 15 HP Kohler Engines)**

---

<b>Item</b>	<b>Part No</b>	<b>Qty</b>	<b>Description</b>	<b>Note</b>
--	--		Wiring Schematic incl. harness #'s 7019321, 7074405, 7028386 & 7028678	

**Footnotes:**

No  
Diagram  
Available  
  
Parts List  
Only

## HARDWARE BAGS

Item	Part No	Qty	Description	Note
--	7063039	1	HARDWARE BAG (Incl. the 17 items below)	<i>for manual start models</i>
	7011024	2	PLUG, 1/2" Cup Insert	
	7013321	2	BUSHING, Tie Rod	
	7013849	2	SPACER, .33 x .63 x .156	
	7013862	1	ROLL PIN, 1/4 x 1-1/2"	
	7023667	1	FOAM COVER, Steering Shaft	
	7023671	1	COVER, Steering Shaft	
	7090372	2	NUT, 1/4-20 Hex Center Lock, GR 5 or B	
	7091038	4	BOLT, 5/16-18 x 1/2" Hex Flange Nyloc	
	7091516	2	PIN, 5/32 x 1" Cotter	
	7090296	1	PIN, 3/16 x 1" Cotter	
	7090122	2	WASHER, 3/8" Flat SAE	
	7075018	2	BRACKET, Seat	
	7091714	4	BOLT, 5/16-18 x 1" Square Neck Carriage, GR 5	
	7023735	2	KNOB, Seat Adjusting, 5/16-18 thread	
	7011791	4	RETAINER, 5/16" Bolt	
	7023354	1	SWITCH, Seat (NC)	
	7090951	2	NUT, 5/16-18 Hex Large Flange Center Lock	
--	7061872	1	HARDWARE BAG (Includes the 15 items below)	
	7011024	2	PLUG, 1/2" Cup Insert	
	7013321	1	BUSHING, Tie Rod	
	7013849	2	SPACER, .33 x .63 x .156	
	7013862	1	ROLL PIN, 1/4 x 1-1/2"	
	7023667	1	FOAM COVER, Steering Shaft	
	7023671	1	COVER, Steering Shaft	
	7090372	2	NUT, 1/4-20 Hex Center Lock, GR 5 or B	
	7091038	2	BOLT, 5/16-18 x 1/2" Hex Flange Nyloc	
	7091516	2	PIN, 5/32 x 1" Cotter	
	7090296	1	PIN, 3/16 x 1" Cotter	
	7090122	1	WASHER, 3/8" Flat SAE	
	7090913	2	SCREW, #10-24 x 1/2" Hex Washer Self-Tap (Torx)	
	7023191	2	KNOB, Seat Adjusting (5/16-18 thread)	
	7028395	2	SPACER, Pivot	
	7029211	1	SEAT SWITCH, Quick Mount (NC)	
--	7063292	1	HARDWARE BAG (Incl. items 1-12 above & the 6 items below)	
	7023735	2	KNOB, Seat Adjusting, 5/16-18 thread	
	7023354	1	SWITCH, Seat (NC)	

### Footnotes:

No  
Diagram  
Available  
  
Parts List  
Only

## **HARDWARE BAGS**

---

<b>Item</b>	<b>Part No</b>	<b>Qty</b>	<b>Description</b>	<b>Note</b>
	7075018	2	BRACKET, Seat	
	7091714	4	BOLT, 5/16-18 x 1" Square Neck Carriage, GR 5	
	7011791	4	RETAINER, 5/16" Bolt	
	7090951	2	NUT, 5/16-18 Hex Large Flange Center Lock	
--	7061093	1	HARDWARE BAG (Incl. the 9 items below)	
	7017176	1	DECAL, Recycling Speeds	
	7017328	1	DECAL, Height of Recycling Cut	
	7022325	1	DECAL, Cut Height	
	7090001	3	BOLT, 5/16-18 x 3/4" Short Neck Carriage, GR 5	
	7090188	3	WASHER, 5/16" Flat	
	7090392	2	SCREW, 1/2-20 x 1" Hex Head Cap, GR 5	
	7090492	3	WING NUT, 5/16-18	
	7090509	2	WASHER, 1/2" Internal Tooth Lock	
	7090559	2	NUT, 1/2-20 Hex Jam	

### **Footnotes:**

No  
Diagram  
Available  
  
Parts List  
Only

## ACCESSORIES & ATTACHMENTS

Item	Part No	Qty	Description	Note
	7060325		KIT, Drive Disc Puller	<i>used on All RER Aluminum Drive Discs</i>
	7060697		KIT, Dump Cart	
	1692125		KIT, Dump Cart (10 Cu. Ft.)	
	7061400		KIT, Gage Wheel (28" & 33")	
	7060794		KIT, Gage Wheel (41" & 42")	
	7060941		KIT, Single Bag Catcher (25")	
	7060942		KIT, Single Bag Catcher (26" & 30")	
	7060943		KIT, Single Bag Catcher (28" & 33")	
	7060944		KIT, Single Bag Catcher (41" & 42")	
	7063281		KIT, Twin Bag Catcher (28" & 33")	
	7061414		KIT, Twin Bag Catcher (European 28" & 33")	
	7060945		KIT, Twin Bag Catcher (41" & 42")	
	7063125		KIT, Clamshell Bagger (28" & 33")	
	7060947		KIT, Bag-N-Wagon (28" & 33")	
	7060948		KIT, 28" Thatcherizer	<i>used on All series 7 &amp; Newer Models</i>
	7060964		KIT, Wagon Cover (28" & 33")	
	7072416		KIT, Front Weight	<i>used on All series 7 &amp; Newer Models</i>
	7060959		KIT, 36" Dozer Blade	
	7060653		KIT, Tire Chains (16 x 6.50-8 Tires)	
	7060049		KIT, Tire Chains (16 x 4.50-8 Tires)	
	7061823		KIT, Ninja Recycling Cover (25")	<i>includes 7029143 (25" Ninja blade)</i>
	7061049		KIT, Recycling Cover (25")	<i>includes 7016967 (25" mulching blade)</i>
	7061253		KIT, Ninja Recycling Cover (28")	
	7061254		KIT, Ninja Recycling Cover (30")	
	7061255		KIT, Ninja Recycling Cover (33")	
	7061987		KIT, Ninja Recycling Cover (41" & 42")	
	7061915		KIT, 24" x 36" Tow Behind Poly Lawn Roller	

### Footnotes:







*Parts Manual for*

# **SNAPPER®**

**REAR ENGINE RIDER**

**SERIES 23**

IT IS THE POLICY OF BRIGGS & STRATTON CORP. TO IMPROVE ITS PRODUCTS WHENEVER IT IS POSSIBLE AND PRACTICAL TO DO SO. WE RESERVE THE RIGHT TO MAKE CHANGES OR ADD IMPROVEMENTS AT ANY TIME WITHOUT INCURRING ANY OBLIGATION TO MAKE SUCH CHANGES ON PRODUCTS MANUFACTURED

**SNAPPER®** McDonough, GA, 30253 U.S.A.