

Parts Manual for

SNAPPER®

MID-MOUNT Z-RIDER ZERO TURNING HYDRO DRIVE NZM SERIES 3



MODEL
<i>NZM19483KWV (7800020)</i>
<i>NZM21523KWV (7800021)</i>
<i>NZM25523KWV (7800057)</i>
<i>NZM25613KWV (7800022)</i>
<i>NZM27613KH (7800023)</i>

Briggs & Stratton Yard Power Products Group

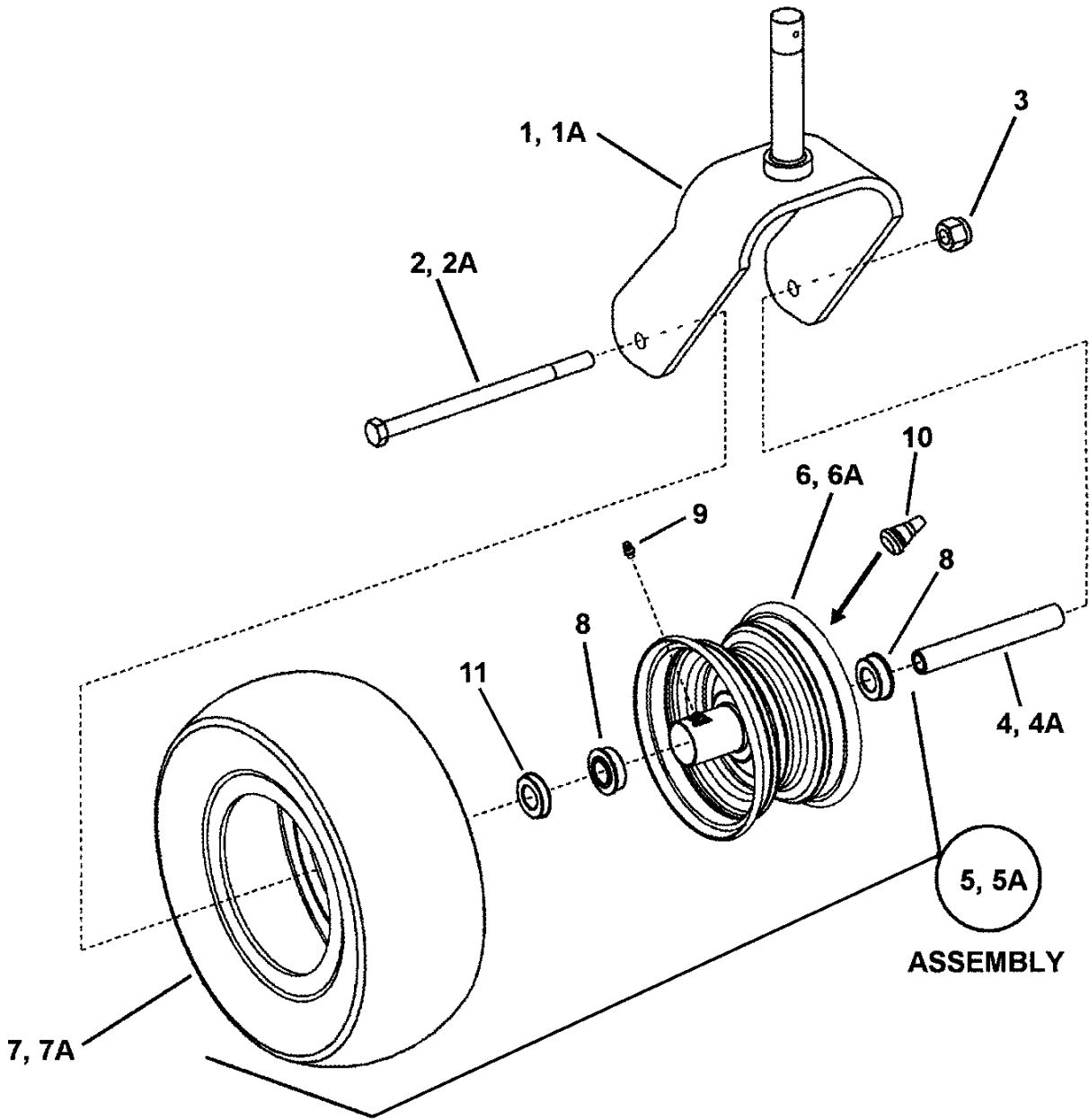
535 Macon Road
McDonough, GA, 30253 U.S.A.
800-935-2967

Revision A, 5/6/2008

Manual No. 7006939

TP 400-5218-A-NZ-N

PAGE	GROUP
4	CASTER WHEEL ASSEMBLY
6	DRIVE TIRE & WHEEL ASSEMBLY
8	FRONT FRAME ASSEMBLY (Frame)
12	FRONT FRAME ASSEMBLY (Deck Lift)
14	REAR FRAME & TANK BRACKETS
16	FUEL TANK ASSEMBLY
18	TWIN STICK CONTROL ASSEMBLY (R.H. Side)
22	TWIN STICK CONTROL ASSEMBLY (L.H. Side)
26	PARKING BRAKE ASSEMBLY
28	HYDRO PUMP ASSEMBLIES
30	HOSE ASSEMBLY (48" & 52" Deck)
32	HOSE ASSEMBLY (61" Deck)
34	HYDRO RESERVOIR ASSEMBLY
36	HYDRO IDLER ASSEMBLY
38	ENGINE SUB-ASSEMBLY
40	SEAT ASSEMBLY
42	MUFFLER GUARD ASSEMBLY
44	ROLL BAR PROTECTIVE STRUCTURE
46	48" CUTTING DECK ASSEMBLY (Sub Assy)
48	48" CUTTING DECK ASSEMBLY (Final Assy)
50	52" CUTTING DECK ASSEMBLY (Sub Assy)
52	52" CUTTING DECK ASSEMBLY (Final Assy)
54	61" CUTTING DECK ASSEMBLY (Sub Assy)
56	61" CUTTING DECK ASSEMBLY (Final Assy)
58	IDLER ASSEMBLIES
60	DECK SPINDLE ASSEMBLIES
62	DECALS
64	CONTROL PANEL ASSEMBLY
66	ELECTRICAL COMPONENTS
68	WIRING HARNESS (Kawasaki Engines)
70	WIRING HARNESS (Kohler Engines)
72	WIRING SCHEMATIC (Kawasaki Engines)
74	WIRING SCHEMATIC (Kohler Engines)

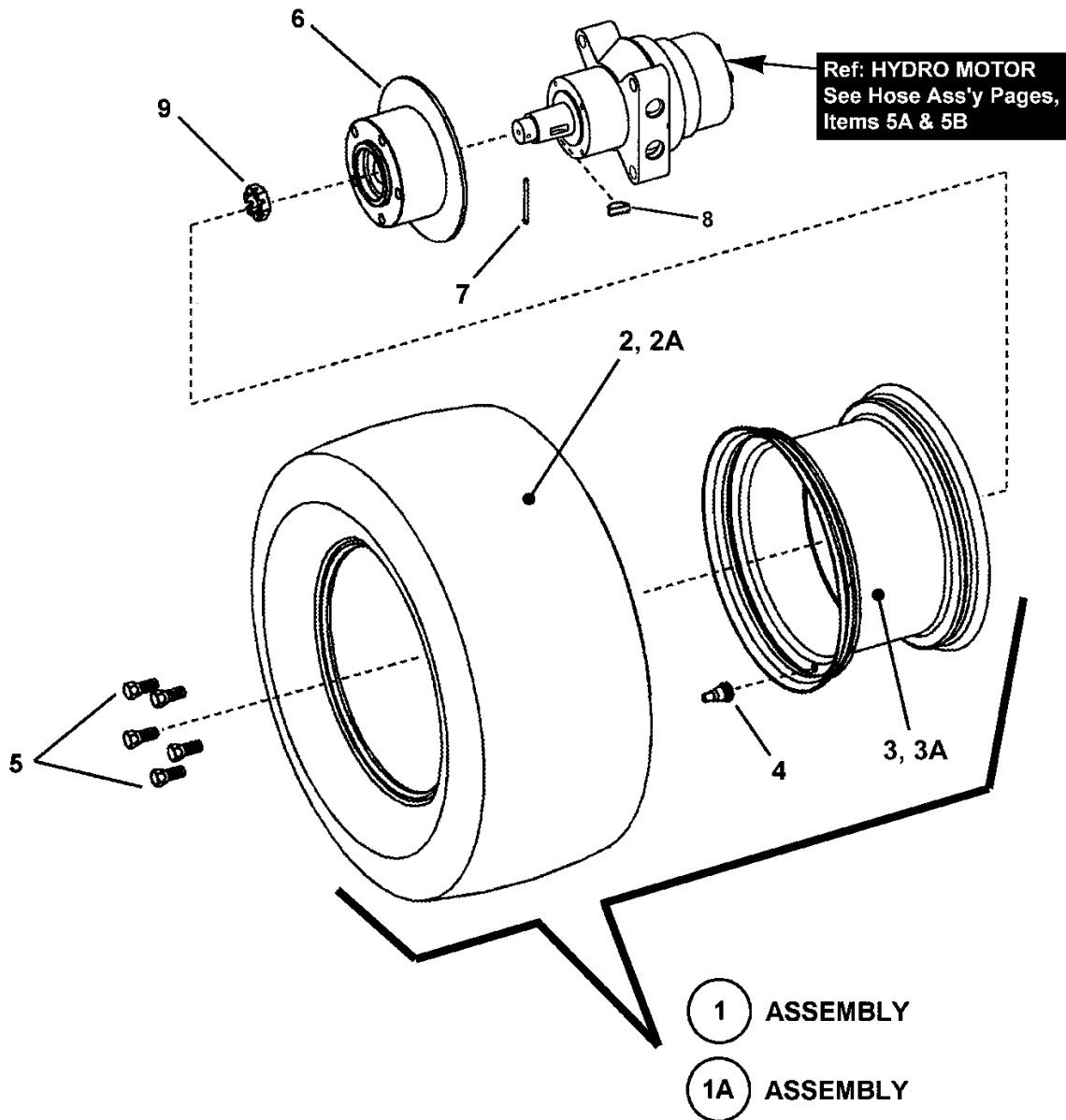


CASTER WHEEL ASSEMBLY

Item	Part No	Qty	Description	Note
1	7058744	2	WELDMENT, Caster Yoke	
1A	7075398	2	WELDMENT, Caster Yoke, 7-1/4" Wide	<i>used on 61" Deck Model only</i>
2	7091773	2	SCREW, 1/2-13 x 7" Hex Head Cap, GR 5	
2A	7092094	2	SCREW, 1/2-13 x 9-1/2" Hex Head Cap, GR 5	<i>used on 61" Deck Model only</i>
3	7091325	2	NUT, 1/2-13 Hex Nyloc	
4	7035476	2	SPACER, Bearing, 5.29" Long	
4A	7075462	2	SPACER, Bearing, 7.29" Long	<i>used on 61" Deck Model only</i>
5	7026188	2	ASSY, Tire & Wheel 13 x 5.00-6 (Incl. item 6, 7, 8, 9 & 10)	<i>used on 48" & 52" Deck Models only</i>
5A	7072795	2	ASSY, Tire & Wheel 13 x 6.50-6 (Incl. item 6A, 7A, 8, 9 & 10)	<i>used on 61" Deck Model only</i>
6	7078276	1	WELDMENT, Wheel Hub & Rim 13 x 5.00-6 (gray)	
6A	7078285	1	WELDMENT, Wheel Hub & Rim 13 x 6.50-6 (gray)	<i>used on 61" Deck Model only</i>
7	7078275	1	TIRE, 13 x 5.00-6 4 Ply Smooth	
7A	7078277	1	TIRE, 13 x 6.50-6, 4PR Smooth	
8	7028722	2	BALL BEARING, Heim .750	<i>Heim Unibal # RF 12-22-14AP</i>
9	7012700	1	FITTING, 1/4-28 Lube	<i>Tapered Head w/Ball Check</i>
10	7012234	1	AIR VALVE STEM & Cap	<i>Goodyear # TR-412 or equivalent</i>
11	7075883	1	SPACER	

Footnotes:

DRIVE TIRE & WHEEL ASSEMBLY

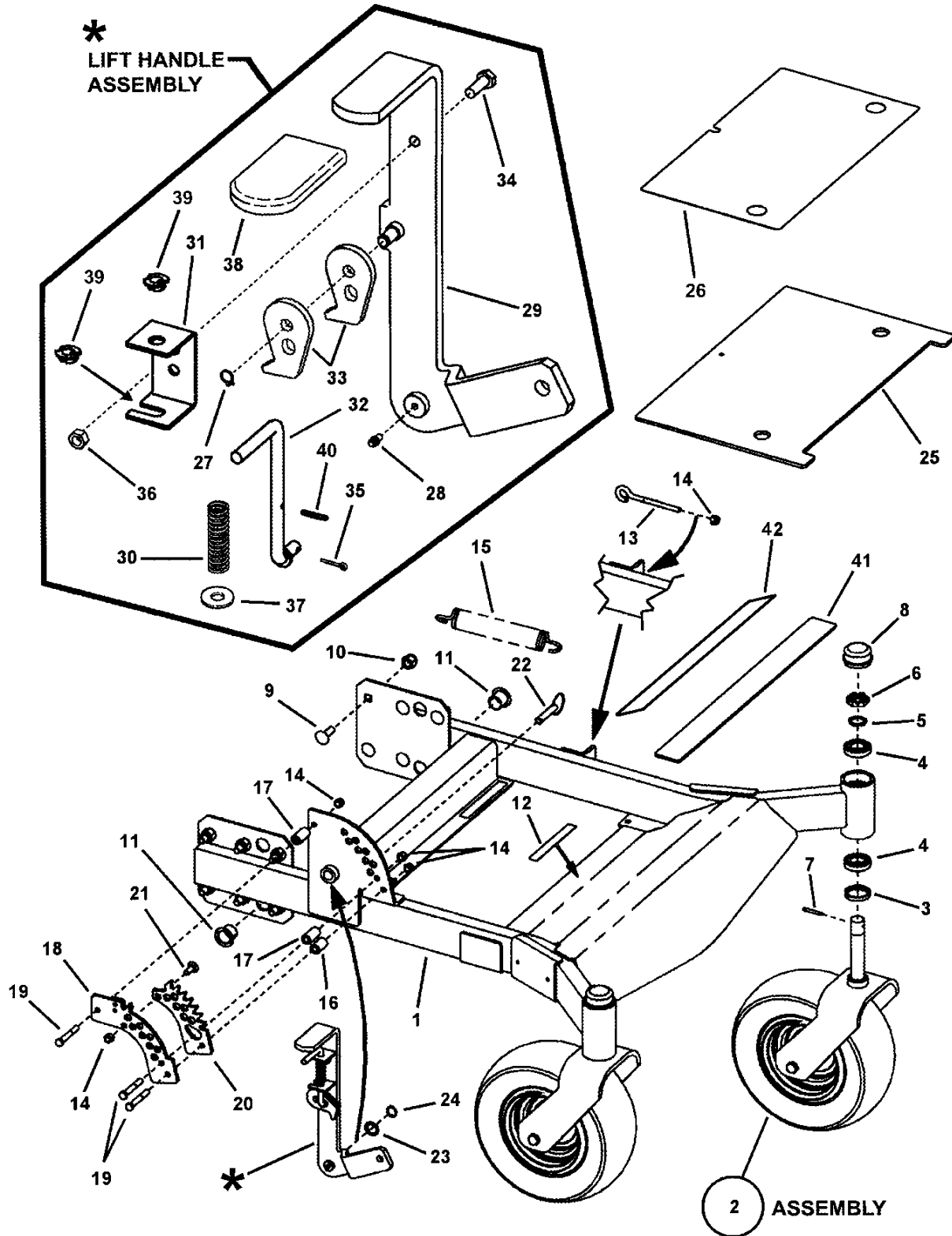


DRIVE TIRE & WHEEL ASSEMBLY

Item	Part No	Qty	Description	Note
1	7072796	2	ASSY, Wheel 23 x 10.50-12 (Incl. items 2, 3 & 4)	<i>used on 48" & 52" Deck Models</i>
1A	7072797	2	ASSY, Wheel 24 x 12-12 (Incl. items 2A, 3A & 4)	<i>used on Series 61" Deck Models</i>
2	7100296	1	TIRE, 23 x 10.50-12NHS 4Pr Turf Master TL	
2A	7100298	1	TIRE, 24 x 12-12HHS 49R Turf Master	
3	7100295	1	RIM, 12 x 7.00 5/4.5 AG Silver 237	
3A	7100297	1	RIM, 12 x 8.50 5/4.5 RAW	
4	7012234	1	AIR VALVE STEM & Cap	<i>Goodyear # TR-412 or equivalent</i>
5	7092073	10	LUG BOLT, 1/2-20 UNF x 7/8"	
6	7071819	2	DRUM, Brake (Ausco)	
7	7091793		PIN, 9/64 x 1-1/2" Cotter	<i>included as part of wheel motor</i>
8	7013861		KEY, #11 Woodruff	<i>included as part of wheel motor</i>
9	7091828		NUT, 3/4-20 Slotted Hex	<i>included as part of wheel motor</i>

Footnotes:

FRONT FRAME ASSEMBLY (Frame)

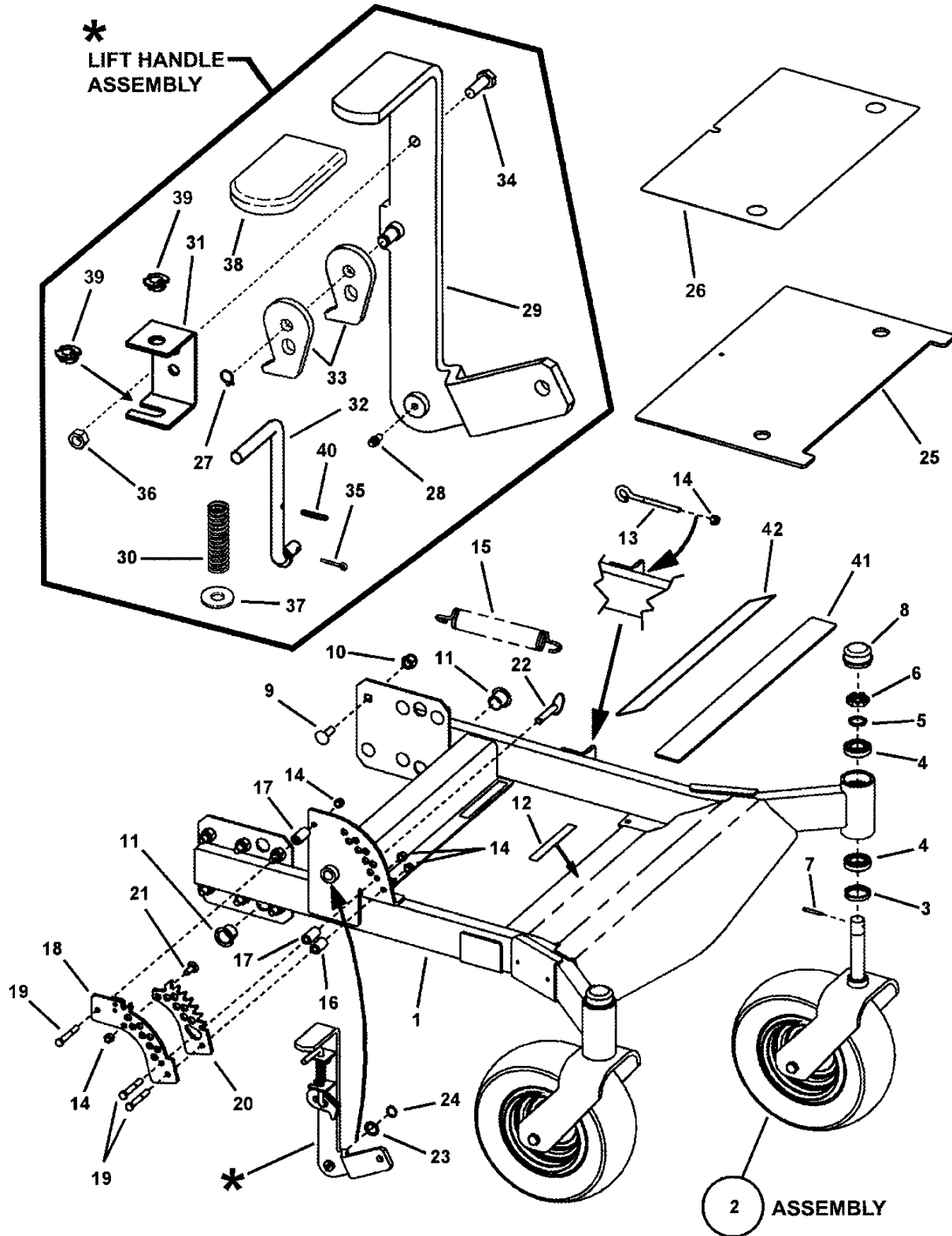


FRONT FRAME ASSEMBLY (Frame)

Item	Part No	Qty	Description	Note
1	7044821	1	WELDMENT, Front Frame	
2		2	GROUP, Front Wheel (ref: Caster Wheel Assembly Page)	
3	7074723	2	GREASE SEAL	
4	7058554	4	BEARING, Tapered Roller	7074706 (tapered roller brg.) & 7074707 (inner race)
5	7029137	2	SPACER, Jackstaff	
6	7092083	2	CASTLE NUT, 1-1/ UNF, GR B	
7	7090841	2	ROLL PIN, 3/16 x 1-1/2"	
8	7074537	2	CAP, Dust	
9	7090768	12	BOLT, 1/2-13 x 1-1/2" Square Neck Carriage	Grade 5
10	7091325	12	NUT, 1/2-13 Hex Nyloc	
11	7073326	2	BUSHING, Teflon	
12	7041818	3	PAD, Floor Pan	
13	7044860	1	EYEBOLT, 3/8-16 x 3"	
14	7091299	9	NUT, 3/8-16 Hex Nyloc	
15	7035667	1	SPRING, Extension, Lift Assist	
16	7074777	1	SPACER, Lift Adjust (1.08" Long)	
17	7074580	2	SPACER, Lift Adjust (1.43" Long)	
18	7058446	1	WELDMENT, Height Adjust	
19	7091501	3	SCREW, 3/8-16 x 2-1/2" Hex Head Cap, GR 5	
20	7074657	1	BRACKET, Deck Lift Detent	
21	7091640	1	BOLT, 3/8-16 x 1" Square Neck Carriage GR 5	
22	7074716	1	CLIP, Roll Pin, 1/2"	
23	7010935	1	WASHER, .77 I.D. Flat	
24	7010746	1	RING, 3/4" External Retaining	
25	7300100	1	FLOOR PAN (Detached)	
26	7100128	1	MAT, Floor Pan	
27	7012313	1	RING, .375" Diameter External Retaining	
28	7014669	1	LUBE FITTING, 3/16"	or 7076998, 1/4-28 Straight Lube Fitting
29	7058901	1	WELDMENT, Deck Lift Handle	
30	7072450	1	SPRING, Neutral Return	
31	7074531	1	BRACKET, Handle Support	
32	7074532	1	ROD, Latch	
33	7074533	2	STOP, Latch	
34	7090636	2	SCREW, 5/16-18 x 1" Hex Head Cap, GR 5	
35	7090555	1	PIN, 3/32 x 1/2" Cotter	or 7091597

Footnotes:

FRONT FRAME ASSEMBLY (Frame)



FRONT FRAME ASSEMBLY (Frame)

Item	Part No	Qty	Description	Note
36	7091067	2	NUT, 5/16-18 Hex Center Lock	<i>or 7091575</i>
37	7090122	1	WASHER, 3/8" Flat SAE	
38	7075330	1	COVER, Plastic	
39	7012117	2	BUSHING, 3/8" Plastic	
40	7076986	1	ROLLPIN, 1/8 x 7/8"	
41	7100221	1	MAT, Footpan	
42	7075027	1	MAT, Footpan	

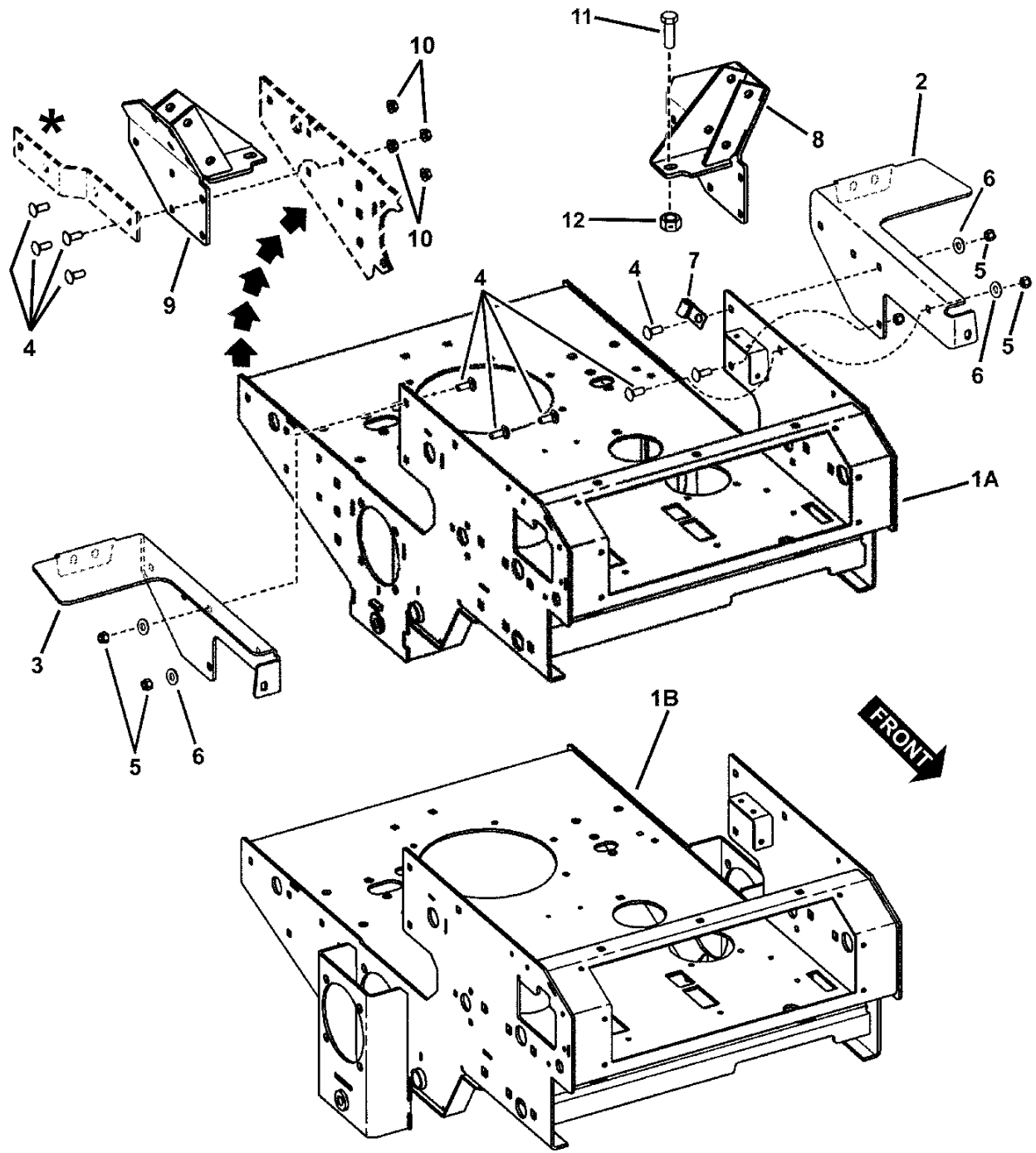
Footnotes:

FRONT FRAME ASSEMBLY (Deck Lift)

Item	Part No	Qty	Description	Note
1	7091544	12	NUT, 1/2-13 Hex Flange GR 5	
2	7091803	1	KEY, 3/16" Square x 1-1/2"	
3	7091516	3	PIN, 5/32 x 1" Cotter	
4	7012802	3	PIN, 1/2 x 1-1/8" Clevis	
5	7090543	6	SCREW, 1/2-13 x 2" Hex Head Cap, GR 5	
6	7053562	2	ASSEMBLY, Chain & Eyebolt	<i>used on 52" Deck Model only</i>
7A	7059173	2	CHAIN, 3 Links	
7B		2	ASSEMBLY, Rear Linkage (Not a part sale item)(incl. items 22 thru 25)	<i>used on 61" Deck</i>
8	7090848	2	SET SCREW, 5/16-18 Square Head Cup Point	
9	7058182	1	WELDMENT, Bellcrank Lift	
10	7058148	1	WELDMENT, Rear Lift	
11	7091894	5	NUT, 1/2-13 Hex Center Lock, GR 5	
12	7044858	1	SWIVEL, Timing Rod (1/2-13 External Thread)	
13	7091303	4	BOLT, 5/16-18 x 1" Short Neck Carriage, GR 5	
14	7044870	2	SHIM PLATE	
15	7043803	2	BRACKET, Deck Support	
16	7090188	4	WASHER, 5/16" Flat	
17	7091298	4	NUT, 5/16-18 Hex Nyloc	
18	7058181	1	WELDMENT, Front Deck Lift	
19	7074579	1	ROD, Timing (1/2-13 Thread)	
20	7091587	6	WASHER, .531 I.D. Flat	
21	7074698	1	LINK, Front	
22	7075783	1	ROD LINK (1/2-13 thread)	
23	7075782	1	ROD SWIVEL (1/2-13 thread)	
24	7091316	2	NUT, 1/2-13 Hex, GR B	
25	7090509	1	WASHER, 1/2" Internal Tooth Lock	

Footnotes:

REAR FRAME & TANK BRACKETS



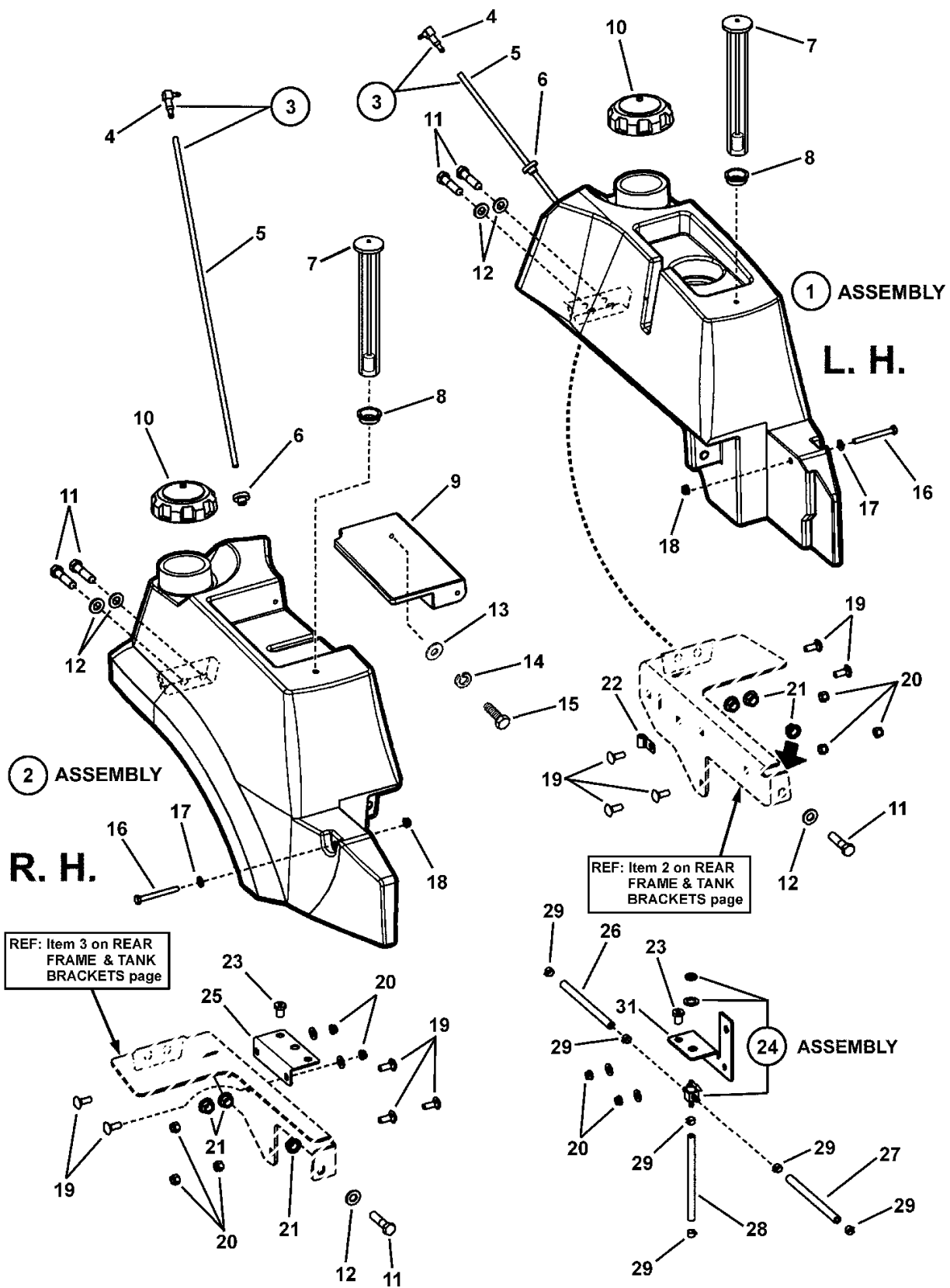
* REF: MUFFLER GUARD ASSEMBLY
Item #2

REAR FRAME & TANK BRACKETS

Item	Part No	Qty	Description	Note
1A	7044846	1	WELDMENT, Rear Frame (48" & 52" Deck)	
1B	7044816	1	WELDMENT, Rear Frame (61" Deck)	
2	7053476	1	WELDMENT, Left Hand Fuel Tank Bracket	
3	7053518	1	WELDMENT, Right Hand Fuel Tank Bracket	
4	7091640	10	BOLT, 3/8-16 x 1" Square Neck Carriage GR 5	
5	7091299	10	NUT, 3/8-16 Hex Nyloc	
6	7090122	4	WASHER, 3/8" Flat	
7	7035638	5	CLIP, Open 3/8" Cushioned	
8	7400080	1	WELDMENT, Right Hand Socket	<i>see also on ROLL BAR PROTECTIVE STRUCTURE page</i>
9	7400081	1	WELDMENT, Left Hand Socket	<i>see also on ROLL BAR PROTECTIVE STRUCTURE page</i>
10	7091619	10	NUT, 3/8-16 Hex Flange Lock	
11	7091884	4	SCREW, 1/2-13 x 1-1/2" Hex Head Cap	<i>or 7090646 (1" long)</i>
12	7091894	4	NUT, 1/2-13 Hex Center Lock, GR 5	<i>or 7090975</i>

Footnotes:

FUEL TANK ASSEMBLY

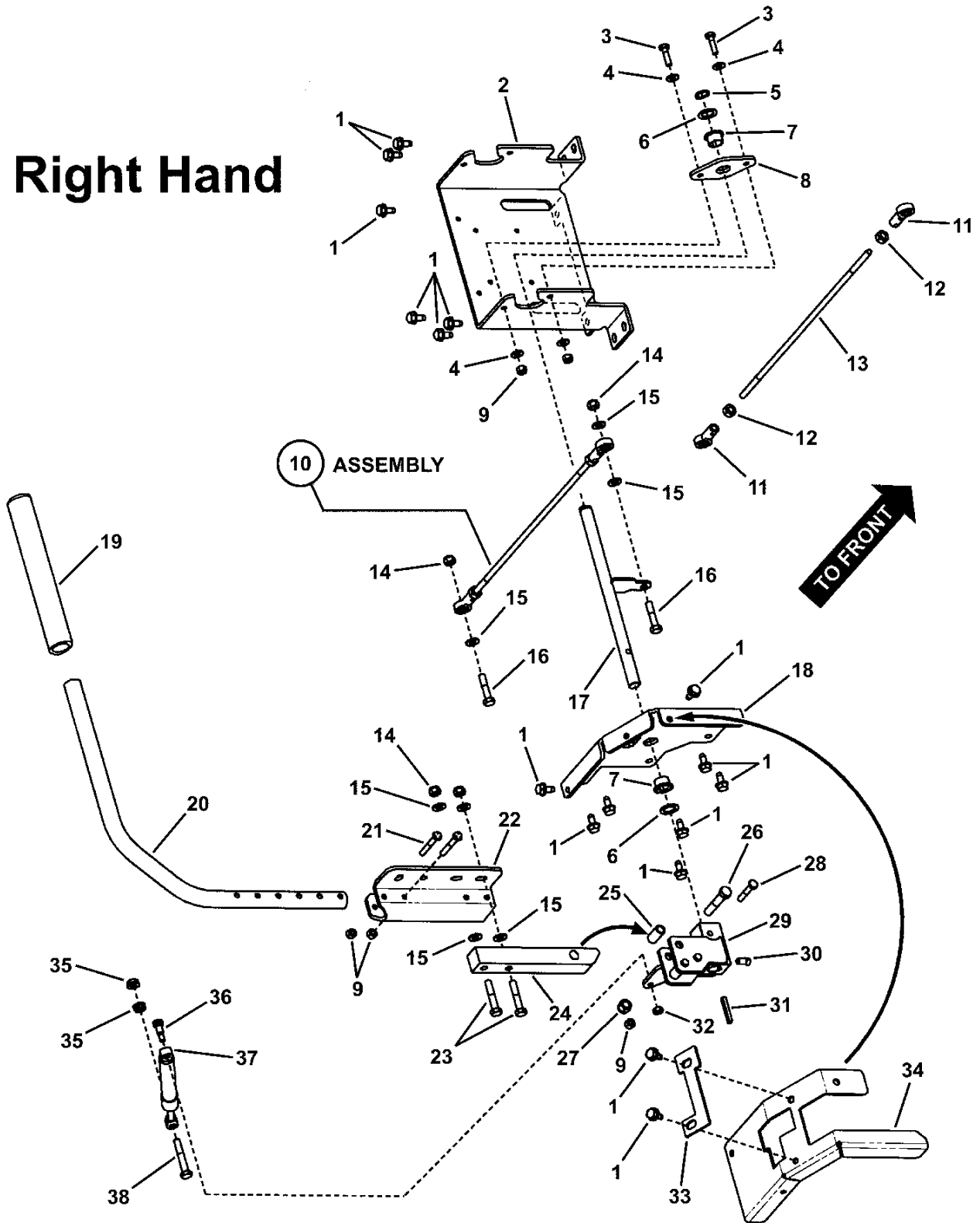


FUEL TANK ASSEMBLY

Item	Part No	Qty	Description	Note
1	7024669	1	ASSEMBLY, LH Fuel Tank	<i>includes: tank (7042924) plus items 3, 6, 7, 8 & 10</i>
2	7100217	1	ASSEMBLY, RH Fuel Tank	<i>includes: tank (7042925) plus items 3, 6, 7, 9 & 10</i>
3	7046326	1	ASSEMBLY, Fuel Pickup	<i>includes items 4 & 5</i>
4	7074835	1	ELBOW, 90 Degree	
5	7046804	1	TUBE, Pickup	
6	7012337	1	GROMMET, Tube	<i>Dapco p/n 10672</i>
7	7078165	1	GAGE, Fuel	
8	7011247	1	GROMMET, Gage	
9	7100211	1	LID, Fuel Tank	
10	7075135	1	CAP, 3-1/2" Fuel	<i>Kelch p/n 201906</i>
11	7092089	6	SCREW, 7/16-14 x 2" Hex Head Cap, GR 5	
12	7090250	12	WASHER, 1/2" Flat SAE	
13	7091294	2	WASHER, 1/4" Flat	
14	7027223	2	WASHER, 1/4" Split Lock	
15	7090825	2	SCREW, 1/4-20 x 1-1/4" Hex Head Cap, GR 5	
16	7092088	2	SCREW, 5/16-18 x 2-1/2" Hex Head Cap, GR 5	
17	7090188	2	WASHER, 5/16" Flat	
18	7091298	2	NUT, 5/16-18 Hex Nyloc	
19	7091640	10	BOLT, 3/8-16 x 1" Square Neck Carriage, GR 5	
20	7091299	10	NUT, 3/8-16 Hex Nyloc	
21	7091917	6	NUT, 7/16-14 Hex Nyloc	
22	7035638	1	CLIP, Open 3/8" Cushioned	
23	7091909	2	WELL-NUT, 1/4-20 x 53/64	<i>also shown on SEAT ASSEMBLY page</i>
24	7044681	1	ASSEMBLY, 3-Way Fuel Valve	
25	7074687	1	BRACKET, RH	
26	7074689	1	HOSE, 1/4" I.D. x 1'-8" Long Fuel (L.H.)	
27	7074688	1	HOSE, 1/4" I.D. x 3'-7.5" Long Fuel (R.H.)	
28	7074690	1	HOSE, 1/4" I.D. x 1' Long Fuel	<i>used on Kawasaki Engine models only</i>
28	7075717	1	HOSE, 1/4" I.D. x 1'-9" Long Fuel	<i>used on Kohler Engine models only</i>
29	7012222	6	CLAMP, Fuel Hose	
30	7012080	5	CABLE TIE, 7" Long (not shown)	
31	7300139	1	BRACKET, Seat Belt, LH	<i>see also on ROLL BAR PROTECTIVE STRUCTURE page</i>

Footnotes:

Right Hand

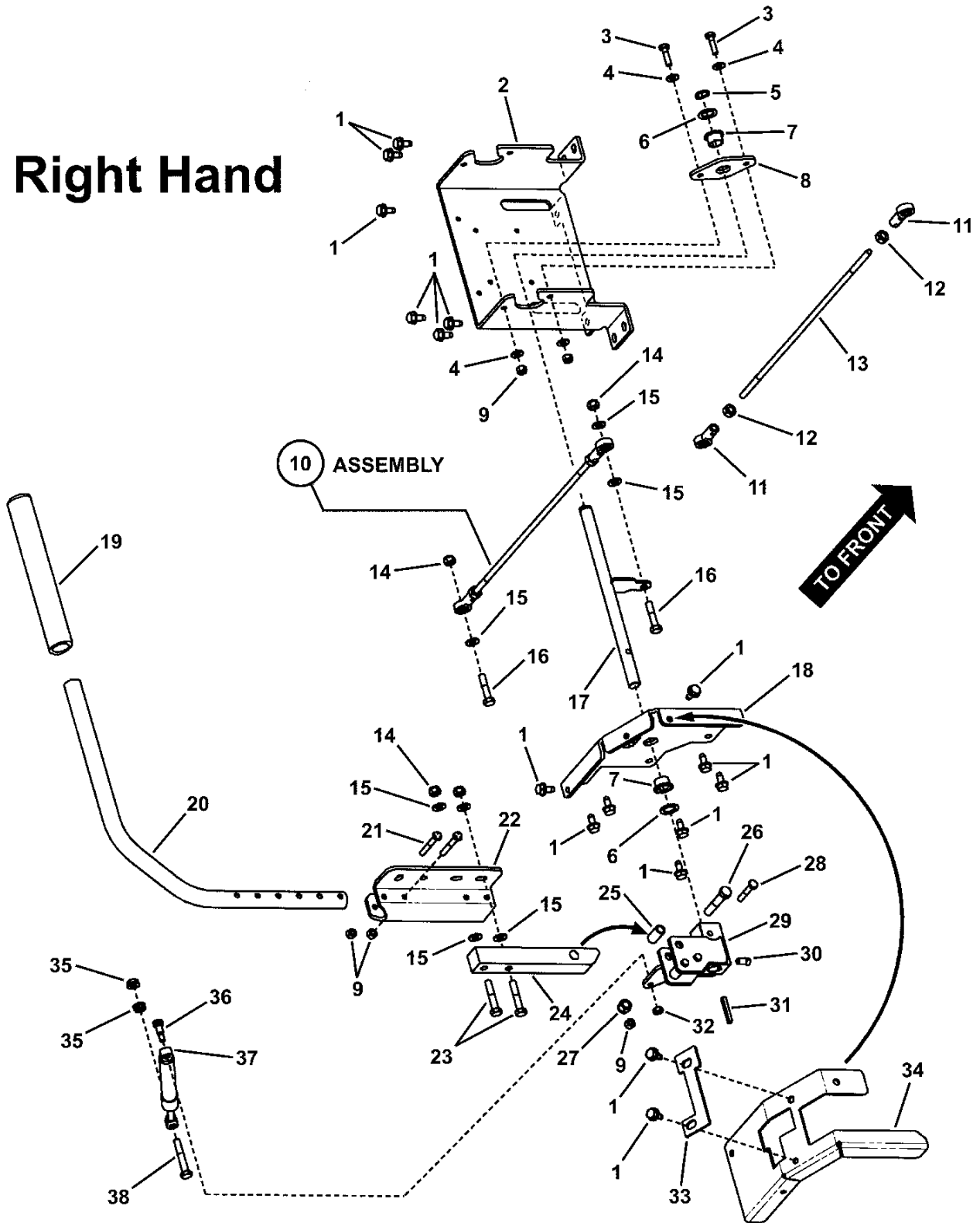


TWIN STICK CONTROL ASSEMBLY (R.H. Side)

Item	Part No	Qty	Description	Note
1	7090361	17	SCREW, 5/16-18 x 5/8" Hex Washer Self-Tap	
2	7075264	1	CHANNEL, Mounting	<i>also shown on (L.H. Side) page or 7027230</i>
3	7090548	2	SCREW, 1/4-20 x 1" Hex Head Cap GR 5	
4	7091294	6	WASHER, 1/4" Flat	
5	7010739	1	RING, 5/8" External Retaining	
6	7091628	4	WASHER, .64 I.D. x .99 O.D. x .05 Flat	
7	7072934	2	BUSHING, Teflon Impregnated	
8	7073061	1	MOUNTING PLATE, Left Hand Bearing	
9	7091603	7	NUT, 1/4-20 Hex Nyloc	
10		1	ASSY, Pump Control Linkage (includes ref. #'s 11, 12, 13)	
11	7027139	2	ROD END (5/16-24 thread)	
12	7091297	2	NUT, 5/16-24 Hex, GR 5 or B	
13	7073995	1	LINKAGE ROD, Pump Control (5/16-24 thread)	
14	7091298	4	NUT, 5/16-18 Hex Nyloc	
15	7090188	7	WASHER, 5/16" Flat	
16	7091540	2	SCREW, 5/16-18 x 1-1/2" Hex Head Cap, GR 5	
17	7400033	1	WELDMENT, Cross Rod	
18	7074164	1	BUSHING MOUNT PLATE, Right Hand	
19	7072212	1	GRIP, Twin Stick	
20	7074661	1	HANDLEBAR, Twin Stick	
21	7091003	2	SCREW, 1/4-20 x 1-3/4" Hex Head Cap, GR 5	<i>or 7091813</i>
22	7071825	1	BRACKET, Handle Adjustment	
23	7090669	2	SCREW, 5/16-18 x 1-3/4" Hex Head Cap, GR 5	
24	7074186	1	MOUNTING ARM	
25	7075029	1	SPACER, .498 O.D. x 1.010" long	
26	7090588	1	SCREW 3/8-16 x 2" Hex Head Cap, GR 5	<i>or 7091305</i>
27	7091299	1	NUT, 3/8-16 Hex Nyloc	
28	7079577	1	SCREW, 1/4-20 x 1-1/2" Hex Head Cap GR 5	
29	7400031	1	WELDMENT, Mounting Hub, RH	
30	7090848	1	SET SCREW, 5/16-18 x 1/2" Square Head Cup Point	
31	7091803	1	KEY, 3/16" Square x 1-1/2"	
32	7090372	1	NUT, 1/4-20 Hex Center Lock	
33	7300138	1	PLATE, Speed Adjuster	
34	7300095	1	PLATE, Bushing Mount, RH	
35	7090585	2	NUT, 5/16-18 Hex Flange Lock	
36	7900007	1	SCREW, 1/4-20 Shoulder Socket Head	
37	5022978	1	DAMPENER, Hydraulic	

Footnotes:

Right Hand

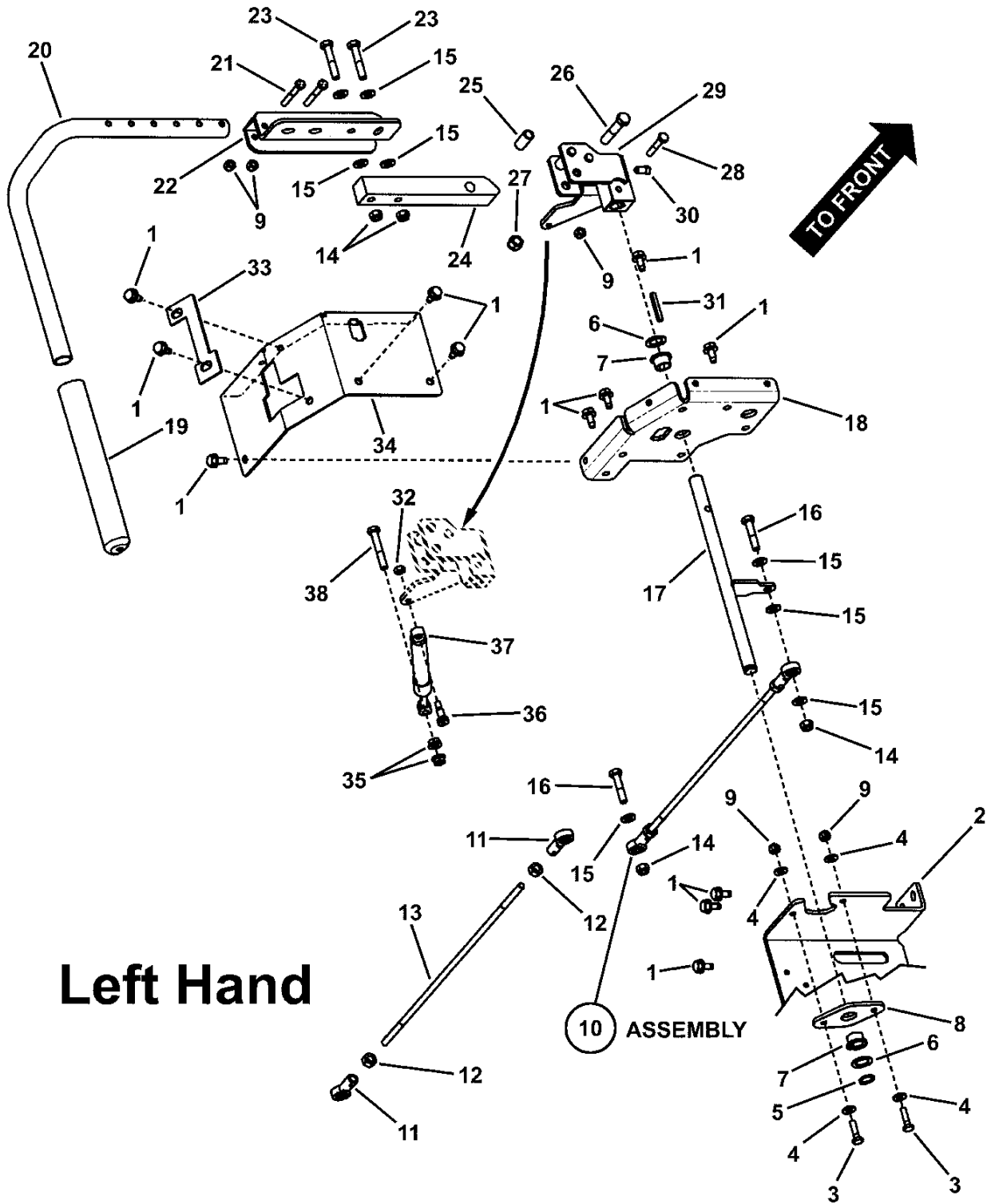


TWIN STICK CONTROL ASSEMBLY (R.H. Side)

Item	Part No	Qty	Description	Note
38	7027174	1	SCREW, 5/16-18 x 2" Hex Head Cap, GR 5	

Footnotes:

TWIN STICK CONTROL ASSEMBLY (L.H. Side)

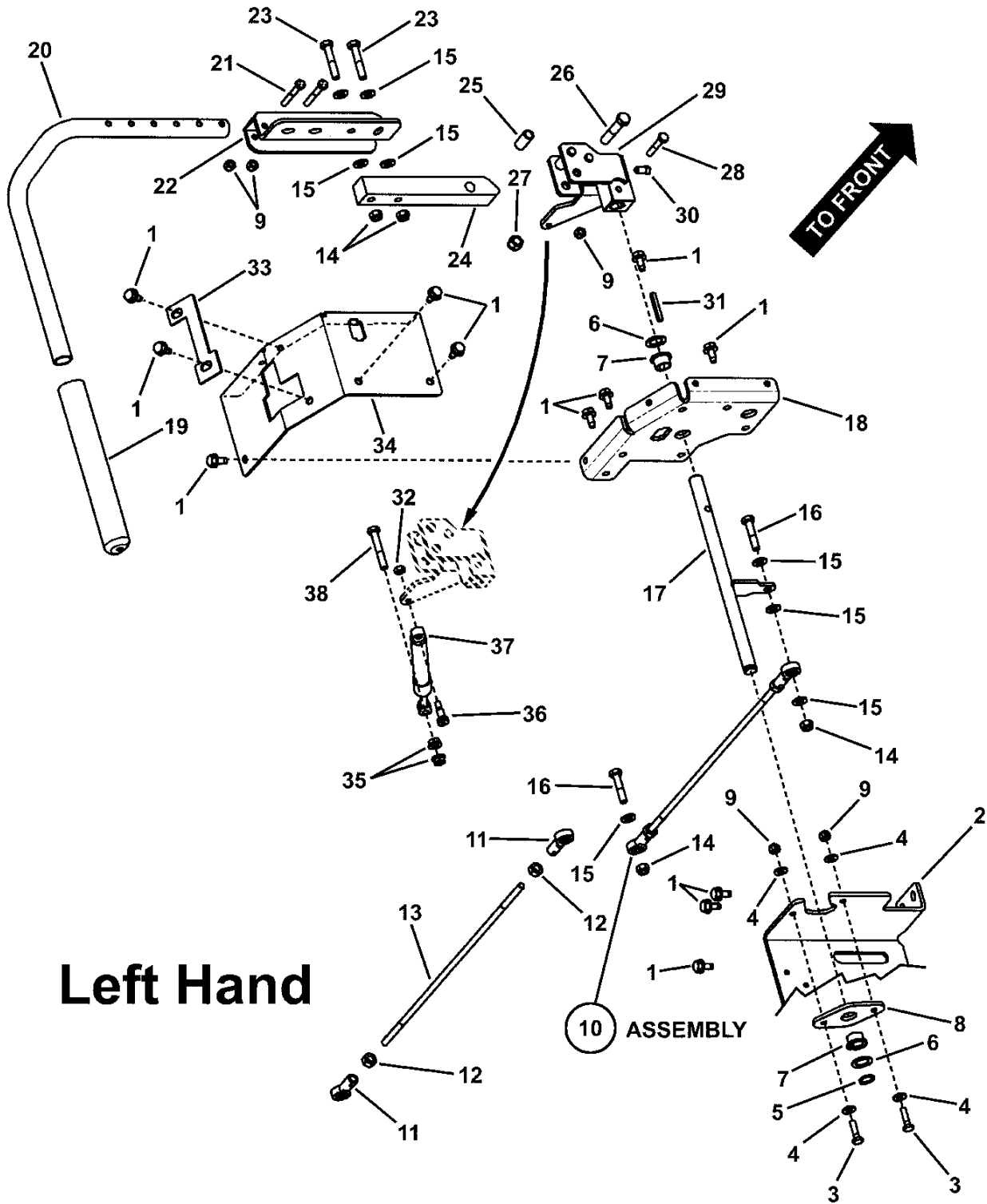


TWIN STICK CONTROL ASSEMBLY (L.H. Side)

Item	Part No	Qty	Description	Note
1	7090361	6	SCREW, 5/16-18 x 5/8" Hex Washer Self-Tap	
2	7075264	1	CHANNEL, Mounting	
3	7090548	2	SCREW, 1/4-20 x 1" Hex Head Cap GR 5	or 7027230
4	7091294	6	WASHER, 1/4" Flat	
5	7010739	1	RING, 5/8" External Retaining	
6	7091628	2	WASHER, .64 I.D. x .99 O.D. x .05 Flat	
7	7072934	2	BUSHING, Teflon Impregnated	
8	7073061	1	MOUNTING PLATE, Left Hand Bearing	
9	7091603	7	NUT, 1/4-20 Hex Nyloc	
10		1	ASSY, Pump Control Linkage (includes ref. #'s 11, 12, 13)	
11	7027139	2	ROD END (5/16-24 thread)	
12	7091297	2	NUT, 5/16-24 Hex, GR 5 or B	
13	7073995	1	LINKAGE ROD, Pump Control (5/16-24 thread)	
14	7091298	4	NUT, 5/16-18 Hex Nyloc	
15	7090188	8	WASHER, 5/16" Flat	
16	7091540	2	SCREW, 5/16-18 x 1-1/2" Hex Head Cap, GR 5	
17	7400033	1	WELDMENT, Cross Rod	
18	7074017	1	BUSHING MOUNT PLATE, Left Hand	
19	7072212	1	GRIP, Twin Stick	
20	7074661	1	HANDLEBAR, Twin Stick	
21	7091003	2	SCREW, 1/4-20 x 1-3/4" Hex Head Cap, GR 5	or 7091813
22	7071825	1	BRACKET, Handle Adjustment	
23	7090669	2	SCREW, 5/16-18 x 1-3/4" Hex Head Cap, GR 5	
24	7074186	1	MOUNTING ARM	
25	7075029	1	SPACER, .498 O.D. x 1.010" long	
26	7090588	1	SCREW 3/8-16 x 2" Hex Head Cap, GR 5	or 7091305
27	7091299	1	NUT, 3/8-16 Hex Nyloc	
28	7079577	1	SCREW, 1/4-20 x 1-1/2" Hex Head Cap GR 5	
29	7400032	1	WELDMENT, Mounting Hub, LH	
30	7090848	1	SET SCREW, 5/16-18 x 1/2" Square Head Cup Point	
31	7091803	1	KEY, 3/16" Square x 1-1/2"	
32	7090372	2	NUT, 1/4-20 Hex Center Lock	
33	7300138	1	PLATE, Speed Adjuster	
34	7300096	1	PLATE, Bushing Mount, LH	
35	7090585	2	NUT, 5/16-18 Hex Flange Lock	
36	7900007	1	SCREW, 1/4-20 Shoulder Socket Head	
37	5022978	1	DAMPENER, Hydraulic	

Footnotes:

TWIN STICK CONTROL ASSEMBLY (L.H. Side)

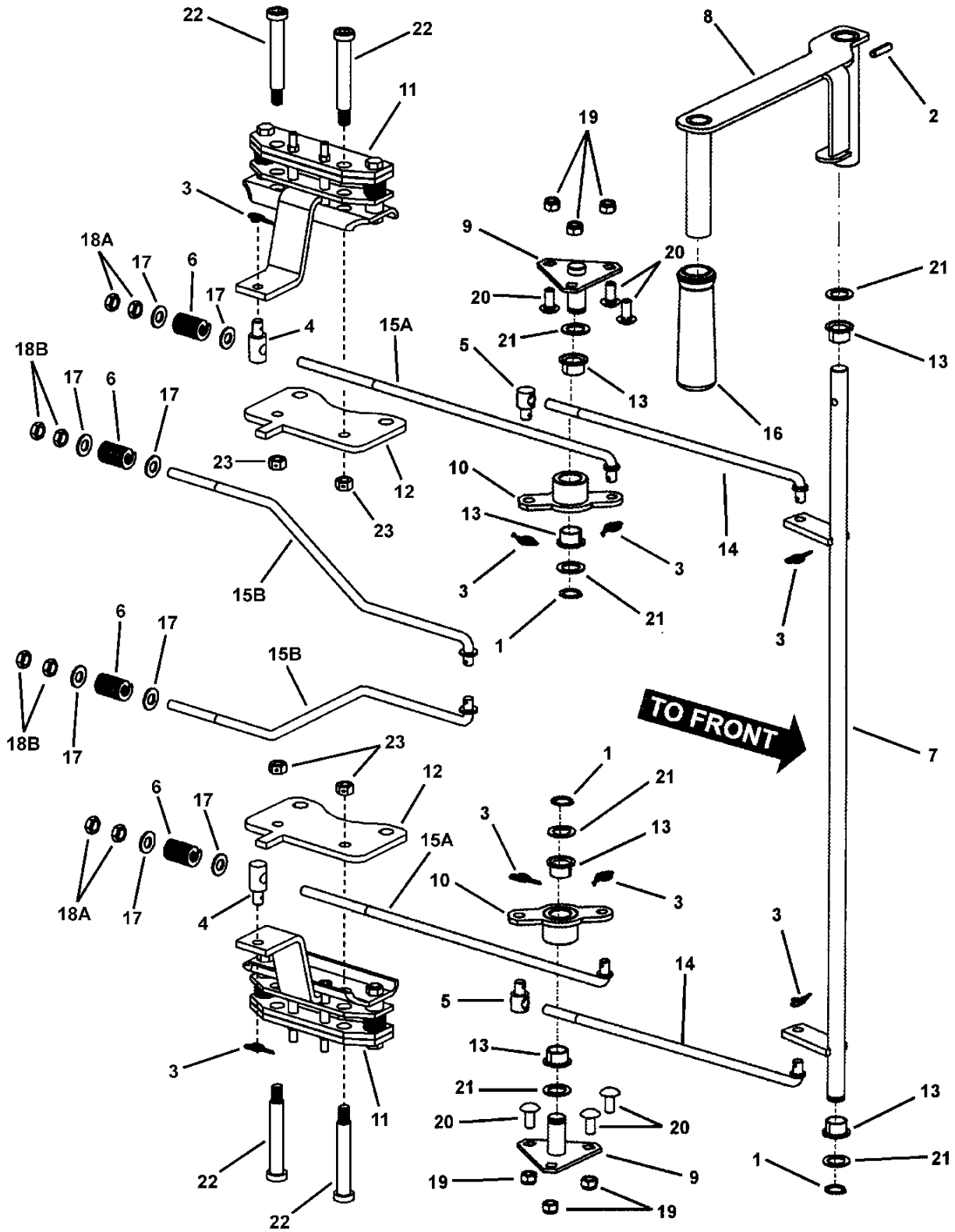


TWIN STICK CONTROL ASSEMBLY (L.H. Side)

Item	Part No	Qty	Description	Note
38	7027174	1	SCREW, 5/16-18 x 2" Hex Head Cap, GR 5	

Footnotes:

PARKING BRAKE ASSEMBLY

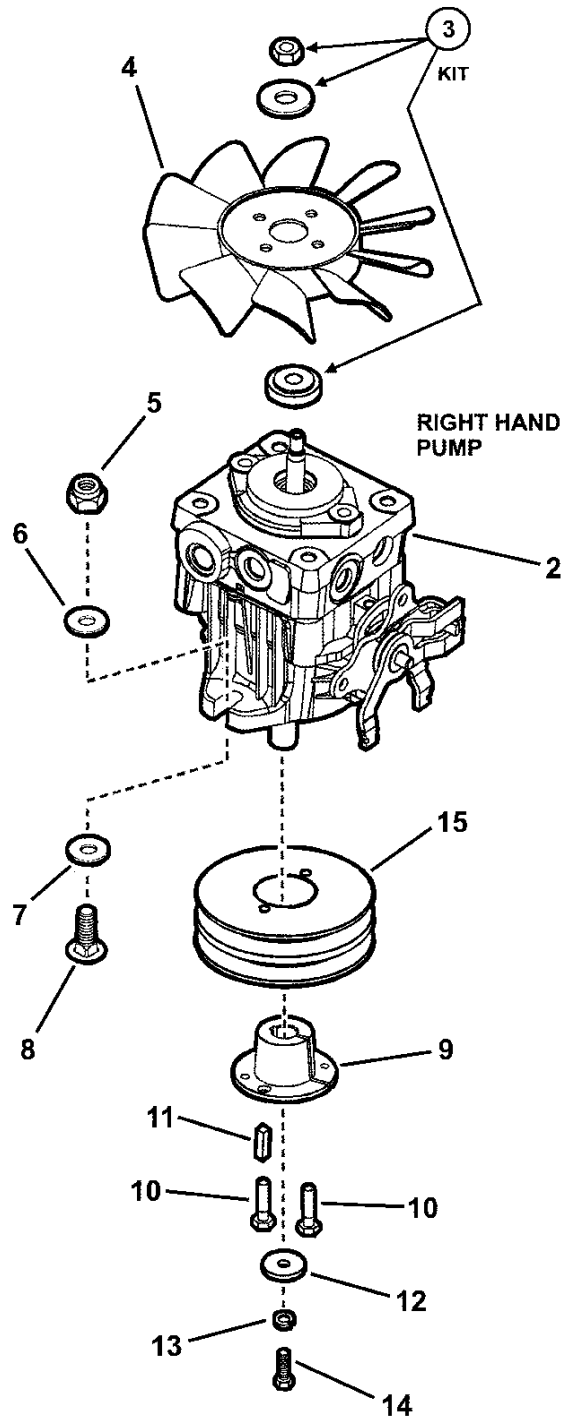
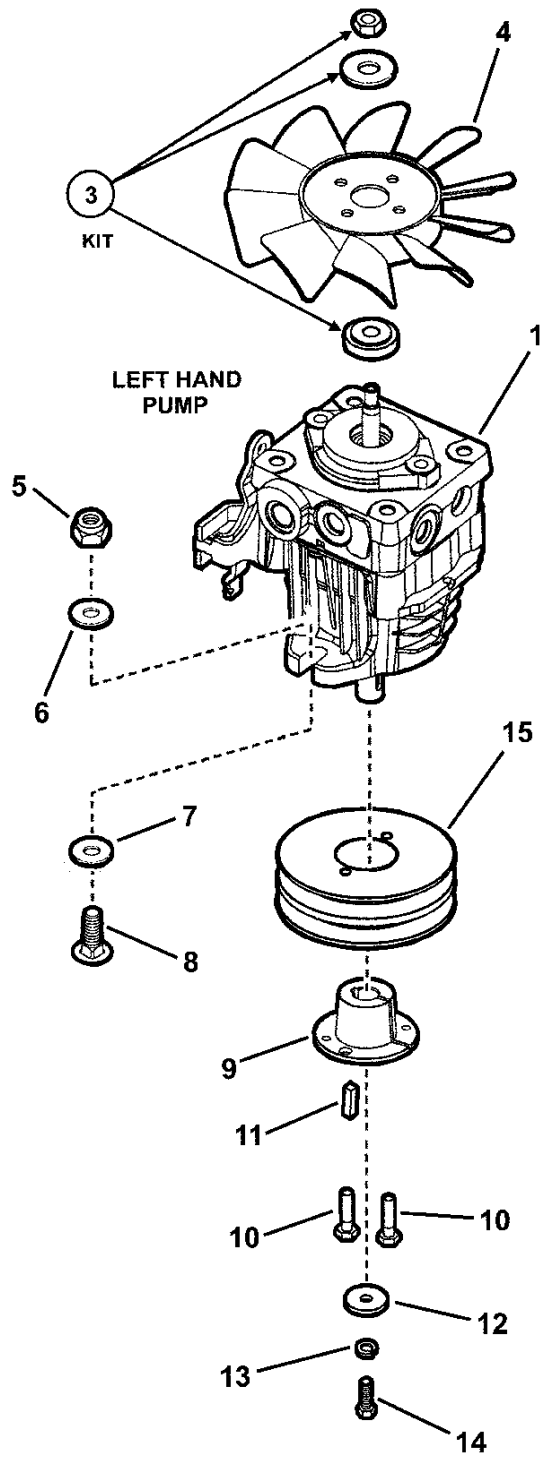


PARKING BRAKE ASSEMBLY

Item	Part No	Qty	Description	Note
1	7010739	3	RING, 5/8" External Retaining	
2	7092091	1	GROOVE PIN, 1/4 x 1-1/4" long	
3	7024159	8	PIN, 3/8" Self Locking Cotter	<i>or 7091593</i>
4	7011231	2	SWIVEL, 3/8" Thru Hole, Special	
5	7046451	2	SWIVEL, 3/8-24 Adjustment	
6	7046782	2	SPRING, Rectangular Wire Die, Blue	
7	7059084	1	WELDMENT, Brake Rod Crossrod	
8	7059085	1	WELDMENT, Park Brake Handle	
9	7059086	2	WELDMENT, Brake Linkage Pivot	
10	7059087	2	WELDMENT, Brake Linkage Bellcrank	
11	7071820	2	ASSEMBLY, Brake	<i>Ausco p/n CC 83022; used on Series 2 (late production only)</i>
12	7041140	2	BRACKET, Brake Mounting	
13	7072934	6	BUSHING, Teflon Impregnated	
14	7073989	2	FRONT LINKAGE, Park Brake (3/8-24 thread)	
15A	7073990	2	REAR LINKAGE, Park Brake (3/8-24 thread)	<i>48" & 52" Deck Models</i>
15B	7072094	2	ROD, Brake Rear (3/8-16 thread)	<i>61" Deck Models Only</i>
16	7074196	1	GRIP, Parking Brake	
17	7090122	4	WASHER, 3/8" SAE Flat	
18A	7090482	4	NUT, 3/8-24, Hex Jam, GR 5 or B	
18B	7090665	4	NUT, 3/8-16, Hex Jam, GR 5 or B	
19	7091298	8	NUT, 5/16-18 Hex Nyloc	
20	7091508	6	BOLT, 5/16-18 x 3/4" Short Neck Carriage, GR 5	
21	7091628	6	WASHER, .64 I.D. x .99 O.D. x .05 Flat	
22	7041148	4	SHOULDER BOLT, 3/8-16 Hex Socket Head	
23	7091585	4	NUT, 3/8-16 Hex Center Lock	

Footnotes:

HYDRO PUMP ASSEMBLIES



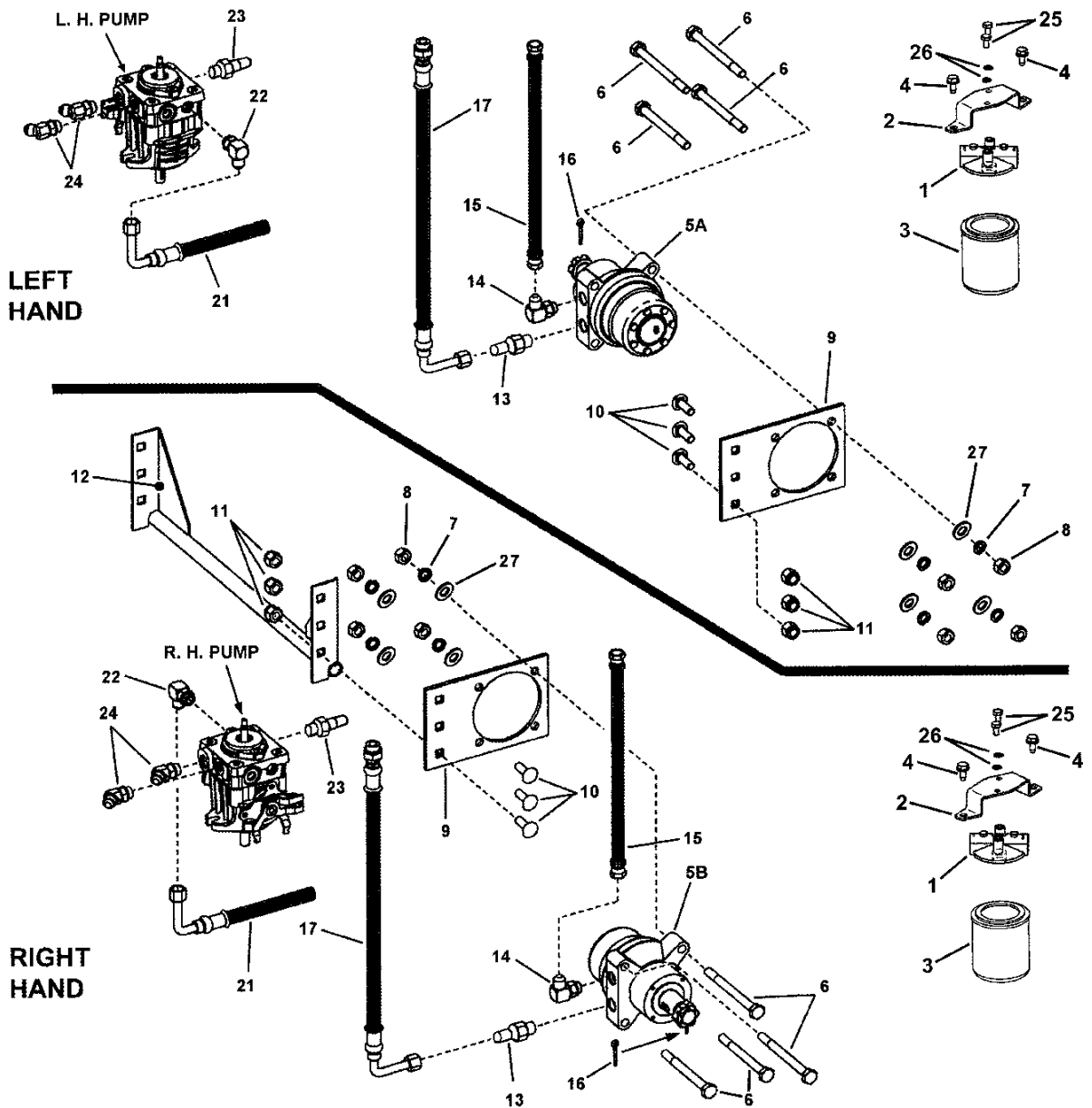
HYDRO PUMP ASSEMBLIES

Item	Part No	Qty	Description	Note
1	7072522	1	* PUMP, Hydro-Gear PG-3KCC-NC1X-XXXX (Left Hand)	<i>BDP-10A-454</i>
2	7072521	1	* PUMP, Hydro-Gear PG-3HCC-NE1X-XXXX (Right Hand)	<i>BDP-10A-331</i>
3	7074738	2	KIT, Fan Hub (Includes 1 each of 3 items shown below)	<i>(Hydro Gear p/n 70632) for BDP-10A Pump w/Thru Shaft</i>
			HUB, Fan Mount	
			WASHER, Belleville, Fan Mount	
			NUT, Hex Nyloc	
4	7074968	2	FAN, 7" Nylon, Counter-Clockwise	
5	7091299	4	NUT, 3/8-16 Hex Nyloc	
6	7090122	4	WASHER, 3/8" Flat	
7	7013847	4	RETAINER, 3/8" Bolt	
8	7027181	4	BOLT, 3/8-16 x 1-1/4" Short Neck Carriage GR 5	
9	7071831	2	PULLEY, "D" Bushing x 15mm Bore	
10	7090548	2	SCREW, 1/4-20 x 1" Hex Head Cap GR 5	<i>or 7027230</i>
11	7027199	2	KEY, M5 x M20	
12	7091627	2	WASHER, 1/4 x 1x 1/8" Flat	
13	7027223	2	WASHER, 1/4" Split Lock	
14	7091835	2	SCREW, M6 1.0 x 12mm Hex Head Cap	
15	7041330	2	PULLEY, 4.25 O.D. x 1.375 OA x "H" Tapered Bore	<i>Double Pump</i>

Footnotes:

* NOTE: Before ordering a new pump check the tag on the pump for proper identification.

HOSE ASSEMBLY (48" & 52" Deck)

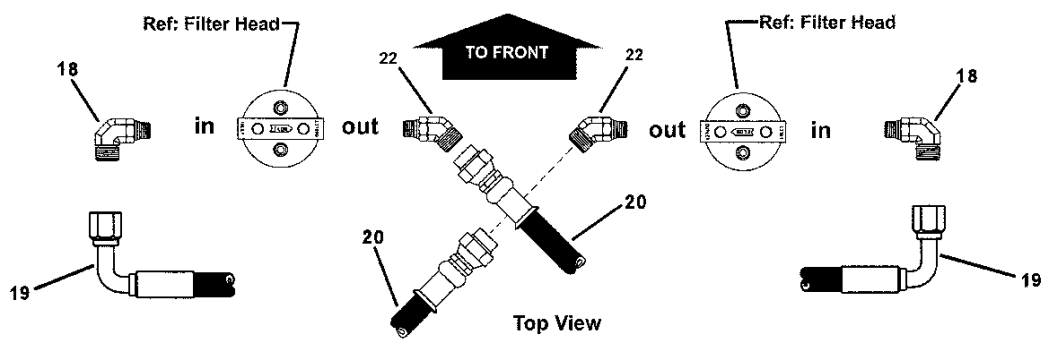
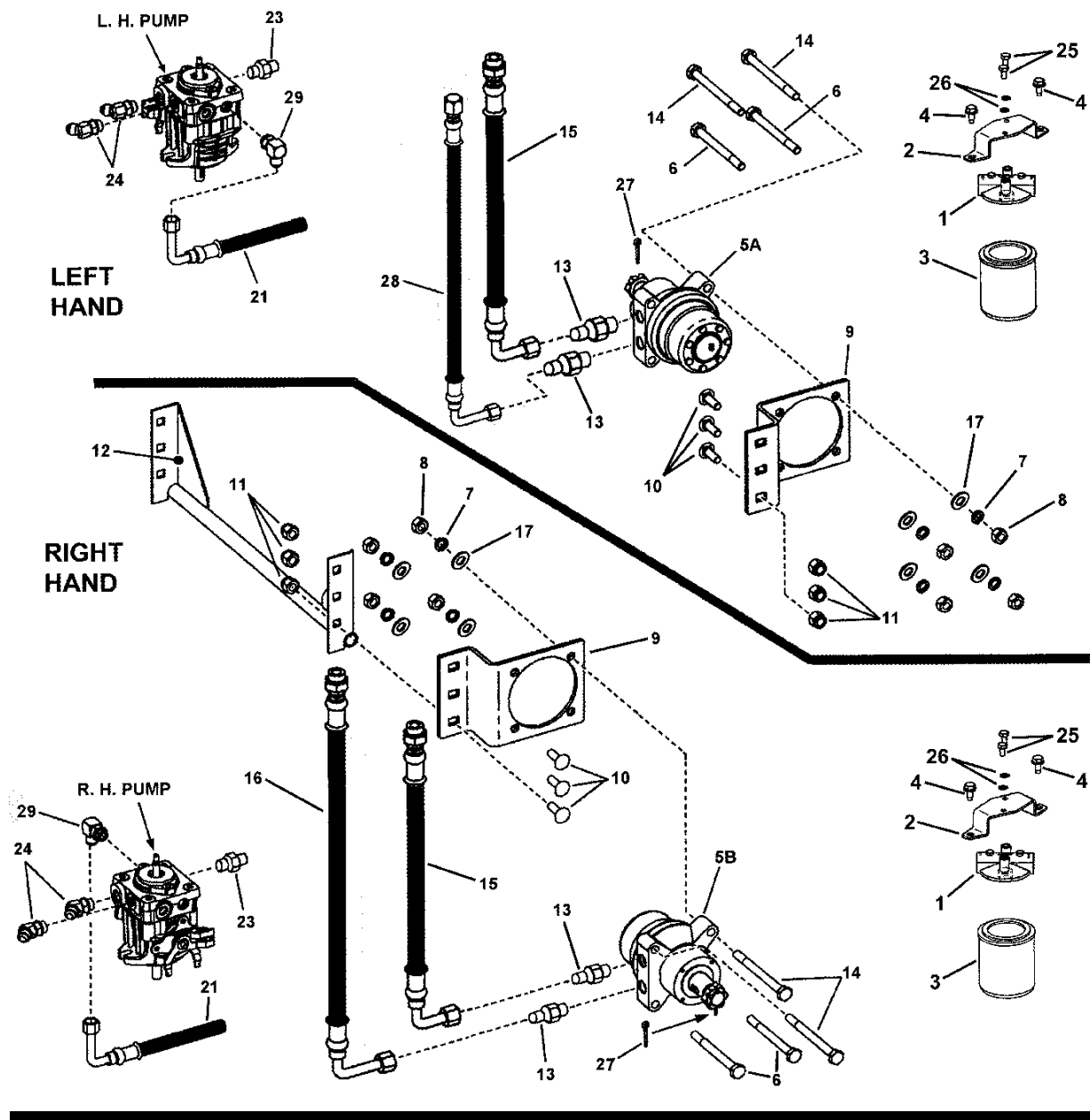


HOSE ASSEMBLY (48" & 52" Deck)

Item	Part No	Qty	Description	Note
1	5023096	2	FILTER HEAD	
2	7075919	2	BRACKET, Filter	
3	1719168	2	FILTER	
4	7090361	4	SCREW, 5/16-18 x 5/8" Hex Washer Self-Tap	
5A	7075637	1	MOTOR, Hydraulic, Left Hand	<i>Includes Castle Nut & #502 Woodruff Key, 5/16 x 1"</i>
5B	7075638	1	MOTOR, Hydraulic, Right Hand	<i>Includes Castle Nut & #502 Woodruff Key, 5/16 x 1"</i>
6	7092087	8	BOLT, 1/2-13 x 6" Hex Head Cap GR 5	
7	7091322	8	WASHER, 1/2" Split Lock	
8	7091316	8	NUT, 1/2-13 Hex GR B	
9	7073996	2	MOUNTING PLATE, Hydro Motor	
10	7090768	6	BOLT, 1/2-13 x 1-1/2" Square Neck Carriage, GR 5	
11	7091325	6	NUT, 1/2-13 Hex Nyloc	
12	7059091	1	WELDMENT, Rear Crossbrace	
13	7075058	2	CONNECTOR, Straight Hydraulic (Parker # 8-10 F5OLO-S)	
14	7075059	2	CONNECTOR, 90-Degree Hydraulic (Parker # 8-10 C5OLO-S)	
15	7075049	2	HOSE, 13-3/4" Hydraulic (Parker # F436BKJJC080808-13-75)	
16	7090297	2	COTTER PIN, 1/8 x 1-1/2"	
17	7075051	2	HOSE, 17-1/2" Hydraulic (Parker # F436BKJJC5080808-17.5)	
18	7041247	2	CONNECTOR, 45-Degree Hydraulic (Parker #8-6 V 50L0-S)	
19	7075052	2	HOSE, 18-1/2" (Parker R836BKJJC9090808-18.5)	
20	7075053	2	HOSE, 12-1/4" (Parker # R836BKJ9NR080008-12.5)	
21	7075054	2	HOSE, 6-1/2" (Parker # R836BKJ9NR080008-6.5)	
22	7075056	4	CONNECTOR, 90-Degree Hydraulic (Parker # 8-6 C5OLO-S)	
23	7075057	2	CONNECTOR, Straight Hydraulic (Parker # 8-6 F5OLO-S)	
24	7075055	4	CONNECTOR, 45-Degree Hydraulic (Parker # V5OLO-S)	
25	7090071	4	SCREW, 1/4-20 x 1/2" Hex Head Cap, GR 5	
26	7090052	4	WASHER, 1/4" Split Lock	
27	7091587	8	WASHER, .531 I.D. Flat	

Footnotes:

HOSE ASSEMBLY (61" Deck)

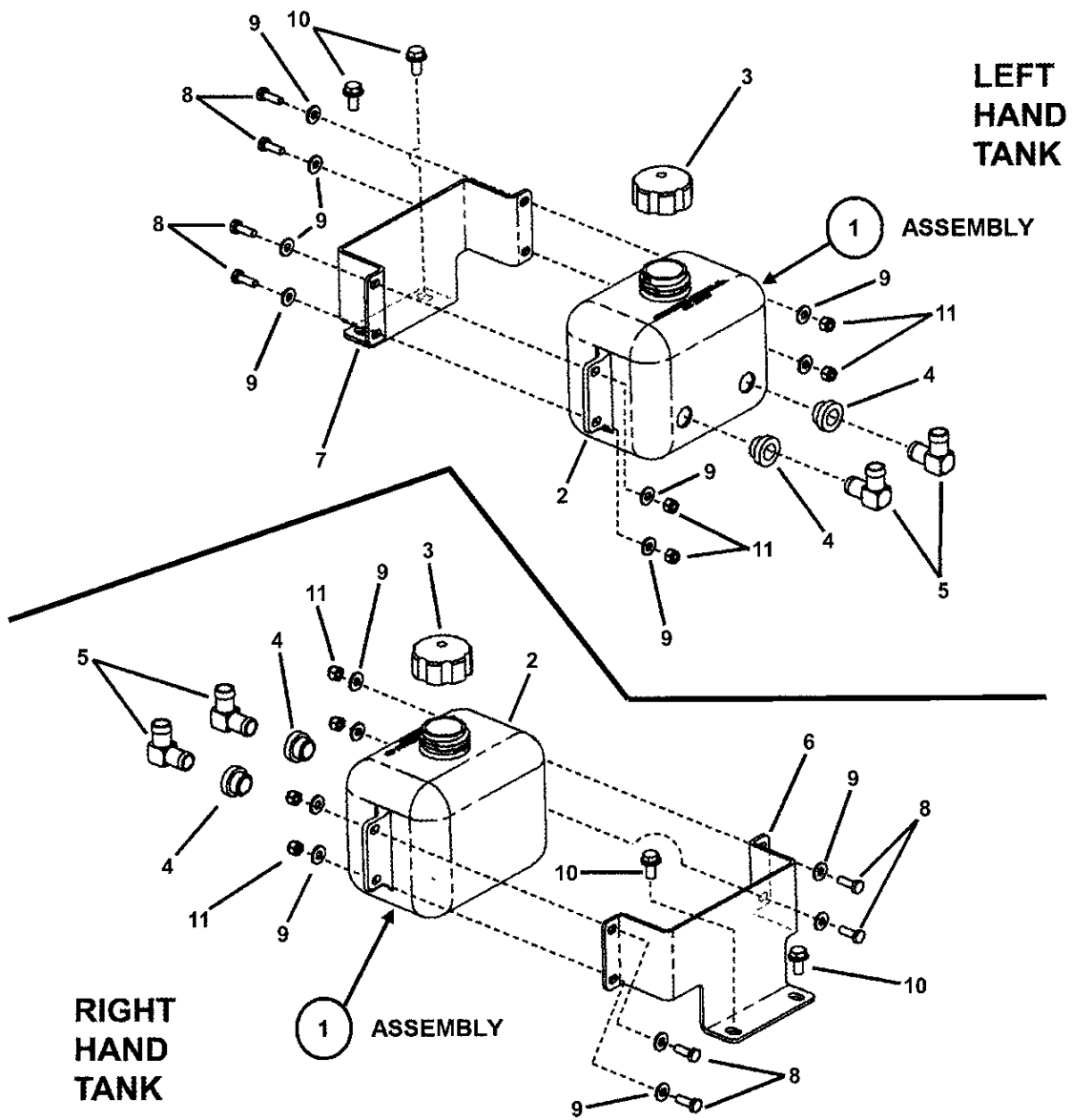


HOSE ASSEMBLY (61" Deck)

Item	Part No	Qty	Description	Note
1	5023096	2	FILTER HEAD	
2	7075919	2	BRACKET, Filter	
3	1719168	2	FILTER	
4	7090361	4	SCREW, 5/16-18 x 5/8" Hex Washer Self-Tap	
5A	7075637	1	MOTOR, Hydraulic, Left Hand	<i>Includes Castle Nut & #502 Woodruff Key, 5/16 x 1"</i>
5B	7075638	1	MOTOR, Hydraulic, Right Hand	<i>Includes Castle Nut & #502 Woodruff Key, 5/16 x 1"</i>
6	7092087	4	BOLT, 1/2-13 x 6" Hex Head Cap, GR 5	
7	7091322	8	WASHER, 1/2" Split Lock	
8	7091316	8	NUT, 1/2-13 Hex GR B	
9	7075443	2	PLATE, Mounting	
10	7090768	6	BOLT, 1/2-13 x 1-1/2" Square Neck Carriage, GR 5	
11	7091325	6	NUT, 1/2-13 Hex Nyloc	
12	7059091	1	WELDMENT, Rear Crossbrace	
13	7075058	4	CONNECTOR, Straight Hydraulic (Parker # 8-10 F5OLO-S)	
14	7029355	4	BOLT, 1/2-13 x 3-3/4" Hex Head Cap	
15	7075470	2	HOSE, 15-1/2" Hydraulic (Parker # F436JCJ9080808-15.50)	
16	7075051	1	HOSE, 17-1/2" Hydraulic (Parker # F436BKJCJ5080808-17.5)	
17	7091587	8	WASHER, .531 I.D. Flat	
18	7075056	2	CONNECTOR, 90-Degree Hydraulic (Parker # 8-6 C5OLO-S)	
19	7075052	2	HOSE, 18-1/2" (Parker # R836BKJCJ9090808-18.5)	
20	7075053	2	HOSE, 12-1/4" (Parker # R836BKJ9NR080008-12.5)	
21	7075054	2	HOSE, 6-1/2" (Parker # R836BKJ9NR080008-6.5)	
22	7041247	2	CONNECTOR, 45-Degree Hydraulic (Parker #8-6 V 50L0-S)	
23	7075057	2	CONNECTOR, Straight Hydraulic (Parker # 8-6 F5OLO-S)	
24	7075055	4	CONNECTOR, 45-Degree Hydraulic (Parker # V5OLO-S)	
25	7090071	4	SCREW, 1/4-20 x 1/2" Hex Head Cap, GR 5	
26	7090052	4	WASHER, 1/4" Split Lock	
27	7090297	2	PIN, 1/8 x 1-1/2" Cotter	<i>or 7091809, 1-1/4" long</i>
28	7075050	1	HOSE, 19-1/2" (Parker # F436BKJCJ5080808)	
29	7075059	2	CONNECTOR, 90-Degree Hydraulic (Parker # 8-10 C5OLO-S)	

Footnotes:

HYDRO RESERVOIR ASSEMBLY

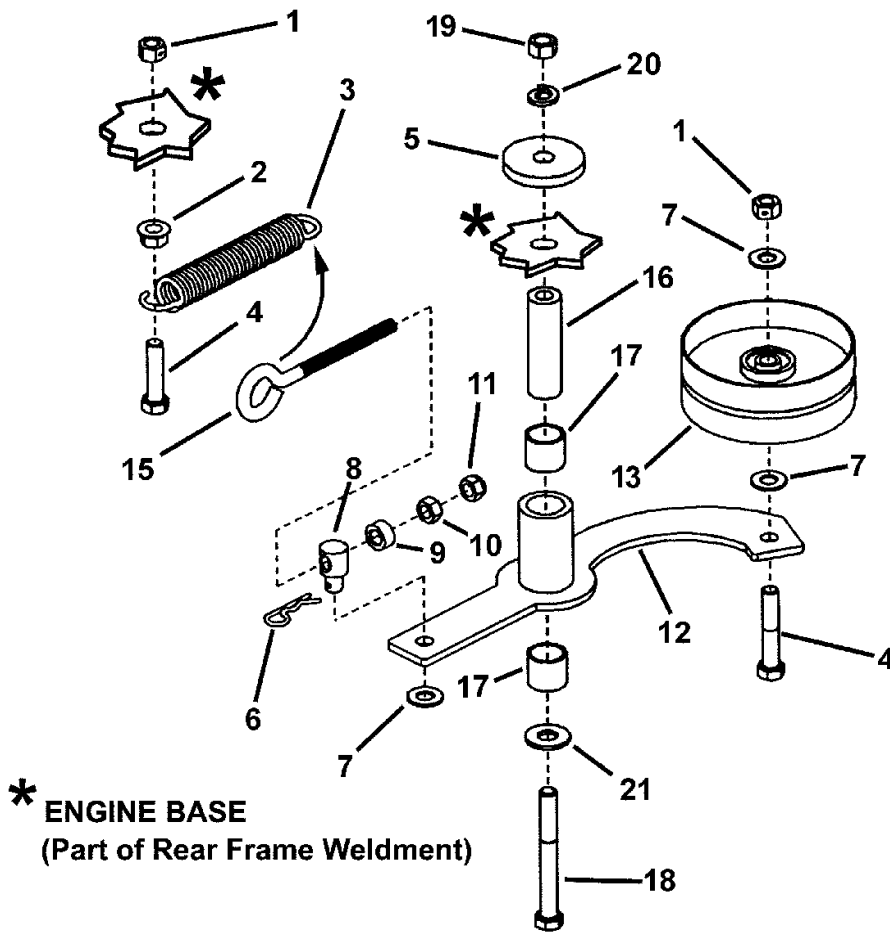
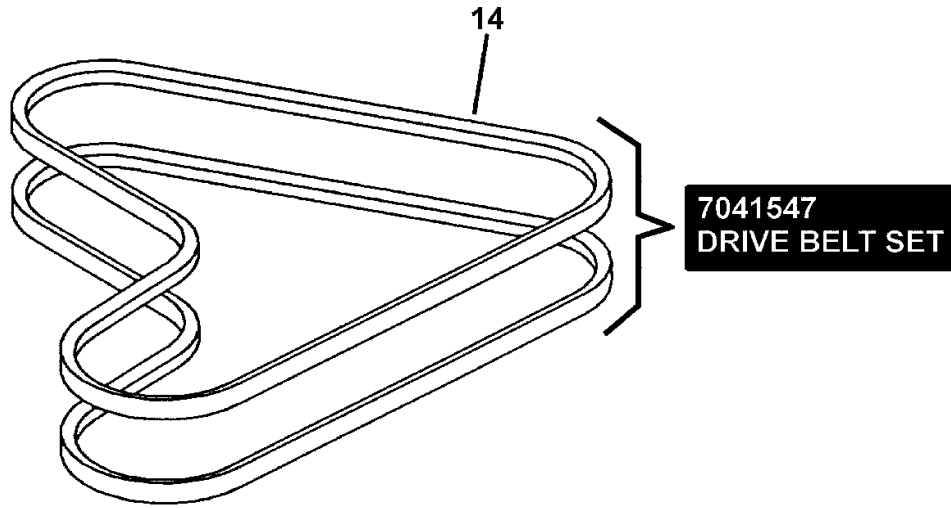


HYDRO RESERVOIR ASSEMBLY

Item	Part No	Qty	Description	Note
1	7059088	2	ASSY, Hydraulic Tank (Includes 4 items shown below)	
2	7074002	1	TANK, Hydraulic, NZM	<i>per 7059088, Tank Assembly</i>
3	7075289	1	CAP, Vented (Kelch # H4550D)	<i>per 7059088, Tank Assembly</i>
4	7075687	2	GROMMET (Dapco # 12078)	<i>per 7059088, Tank Assembly</i>
5	7073238	2	ELBOW FITTING (Dapco # 12183)	<i>per 7059088, Tank Assembly</i>
6	7073999	1	BRACKET, R.H. Hydro Tank Mount	
7	7074001	1	BRACKET, L.H. Hydro Tank Mount	
8	7090548	8	SCREW, 1/4-20 x 1" Hex Head Cap GR 5	
9	7091294	16	WASHER, 1/4" Flat	
10	7090361	4	SCREW, 5/16-18 x 5/8" Hex Washer Self-Tap	
11	7091603	8	NUT, 1/4-20 Hex Nyloc	
12	7012080	5	CABLE TIE, 7" Long (not shown)	

Footnotes:

HYDRO IDLER ASSEMBLY

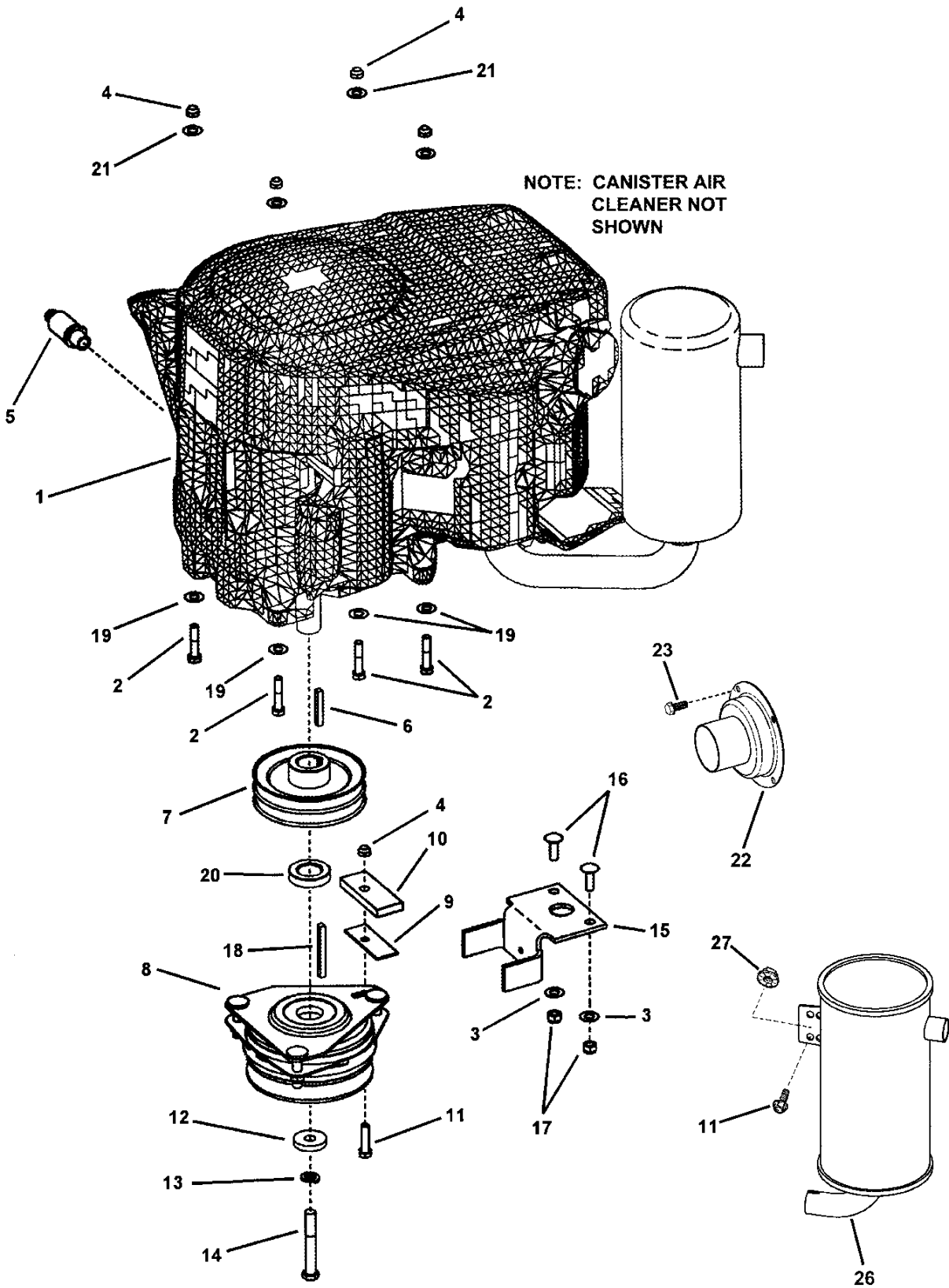


HYDRO IDLER ASSEMBLY

Item	Part No	Qty	Description	Note
1	7091585	2	NUT, 3/8-16 Hex Center Lock	
2	7091619	1	NUT, 3/8-16 Hex Flange Lock	
3	7073992	1	SPRING, Extension	
4	7091497	2	SCREW, 3/8-16 x 1-1/2" Hex Head Cap, GR 5	
5	7075082	1	WASHER, .468 x 1.85 x .25	
6	7091503	1	HAIR PIN, 3/32 x 1-1/2"	
7	7090122	3	WASHER, 3/8" Flat SAE	
8	7075078	1	SWIVEL, Adjustable	
9	7028620	1	SPACER, .340 I.D. x .63 O.D. x .310 Thick	
10	7091511	1	NUT, 5/16-18 Hex, GR 5 or B	
11	7091298	1	NUT, 5/16-18 Hex Nyloc	
12	7074440	1	WELDMENT, Idler Arm	
13	7041262	1	PULLEY, 4" O.D. x .391 I.D. x 1.25 Backside Idler	
14	7075109	1	BELT, Hydro Drive (HA Section, 47.5 Effective Length)	
	7041547	1	SET, Matched Traction Drive Belts	<i>(Kit contains two belts (p/n 7075109)</i>
15	7078063	1	EYEBOLT, 5/16-18	<i>may be used instead of 7075078</i>
16	1723806	1	BOSS, Idler Arm Pivot	
17	1723805	2	SLEEVE BUSHING, 3/4" I.D.	
18	7027221	1	BOLT, 3/8-16 x 3-1/2" Hex Head, GR 5	
19	7090130	1	NUT, 3/8-16 Hex, GR 5 or B	
20	7090118	1	WASHER, 3/8" Split Lock	
21	7090517	1	WASHER, 3/8" Flat SAE	

Footnotes:

ENGINE SUB-ASSEMBLY



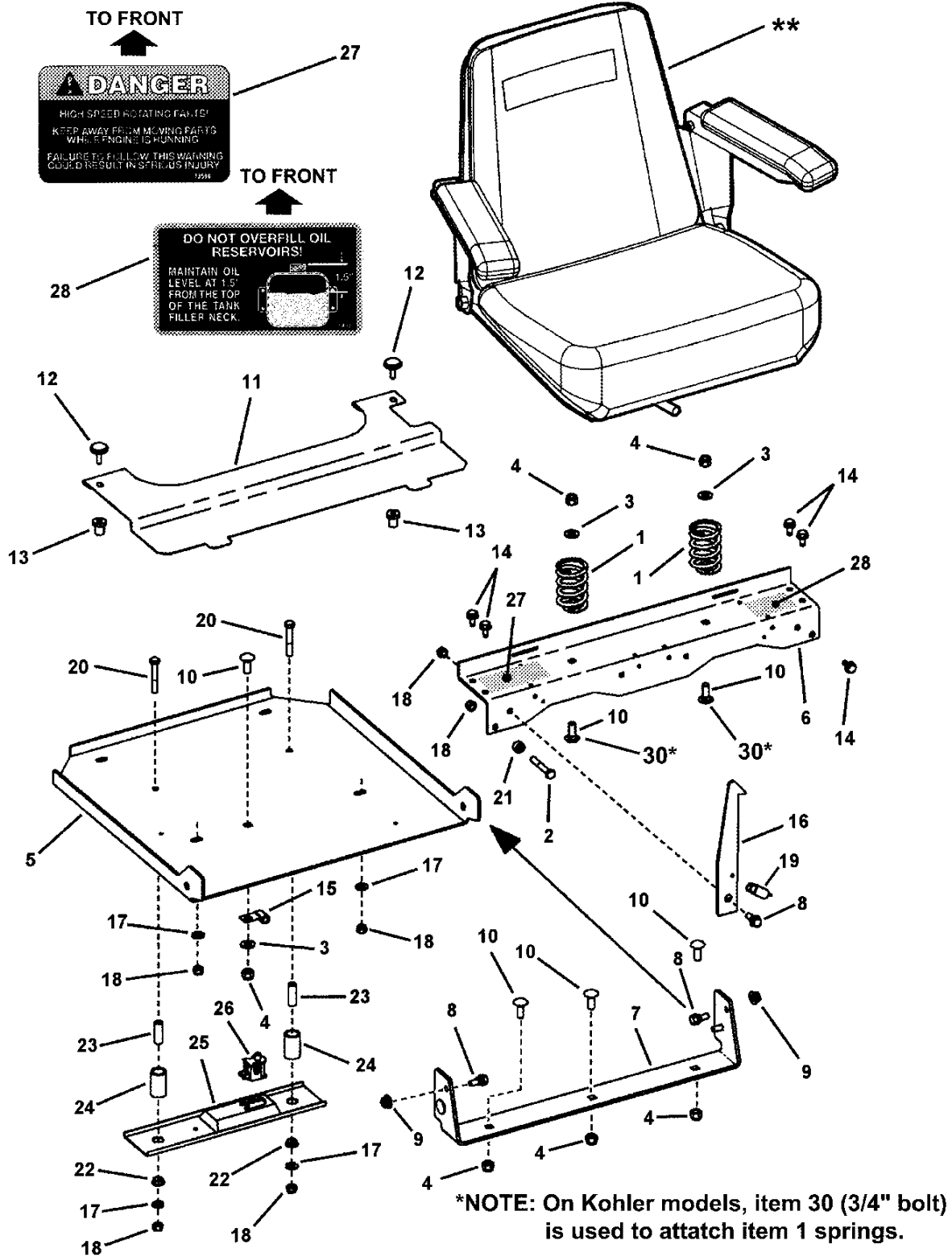
ENGINE SUB-ASSEMBLY

Item	Part No	Qty	Description	Note
1		1	** ENGINE, 19HP Kawasaki (Model FH601V-ES20)	
1		1	** ENGINE, 21HP Kawasaki (Model FH641V-DS17)	
1		1	** ENGINE, 25HP Kawasaki (Model FH721V-DS29)	
1		1	** ENGINE, 27HP Kohler (Model PS-CV740-0027)	<i>includes oil drain pipe (Kohler 24 136 04) & pipe cap (Kohler 12 173 03)</i>
2	7091540	4	SCREW, 5/16-18 x 1-1/2" Hex Head Cap, GR 5	
3	7013847	2	RETAINER, 3/8" Bolt	
4	7091706	5	NUT, 5/16-18 Hex Top Lock GR B	
5	7027972	1	ASSEMBLY, Oil Valve	<i>Kawasaki engines only</i>
6	7016755	1	KEY, 1/4" Square x 3/4"	
7	7071828	1	PULLEY, 4.26 x 1.375 OAL x 1" Bore	
8	7075672	1	CLUTCH, Electric (Ogura Model # GT2.5-RM01)	
9	7034448	1	WASHER, Rectangular Steel	
10	7029704	1	BUMPER, Electric Clutch	
11	7091527	2	SCREW, 5/16-18 x 1-1/4" Hex Head Cap GR 5	
12	7075082	1	WASHER, .468 x 1.85 x .25 Flat	
13	7091301	1	WASHER, 7/16" Split Lock	
14	7092071	1	SCREW, 7/16-20 x 2-1/2" Hex Head Cap, GR 5	<i>with locking patch</i>
15	7034829	1	BRACKET, Clutch	
16	7091640	2	BOLT, 3/8-16 x 1" Square Neck Carriage GR 5	
17	7091299	2	NUT, 3/8-16 Hex Nyloc	
18	7017033	1	KEY, 1/4" Square x 2-1/4" Long	
19	7011791	4	RETAINER, 5/16" Bolt	
20	7025071	1	SPACER, Clutch	
21	7090188	4	WASHER, 5/16" Flat	
22	7075734	1	OUTLET, Muffler	<i>used on NZM27613KH only</i>
23	7091581	4	SCREW, #8-18 x 1/2" Hex Washer Self-Tap	<i>used on NZM27613KH only</i>
24	7092044	2	NUT, M8 x 1.25 Hex (Not Shown)	<i>used on NZM27613KH only</i>
25	7091315	2	WASHER, 5/16" Split Lock (Not Shown)	<i>used on NZM27613KH only</i>
26	7078134	1	MUFFLER	<i>Kawasaki engines only</i>
27	7090585	1	NUT, 5/16-18 Hex Flange Lock	

Footnotes:

Note** Purchase engine components directly from engine manufacturer dealer.

SEAT ASSEMBLY



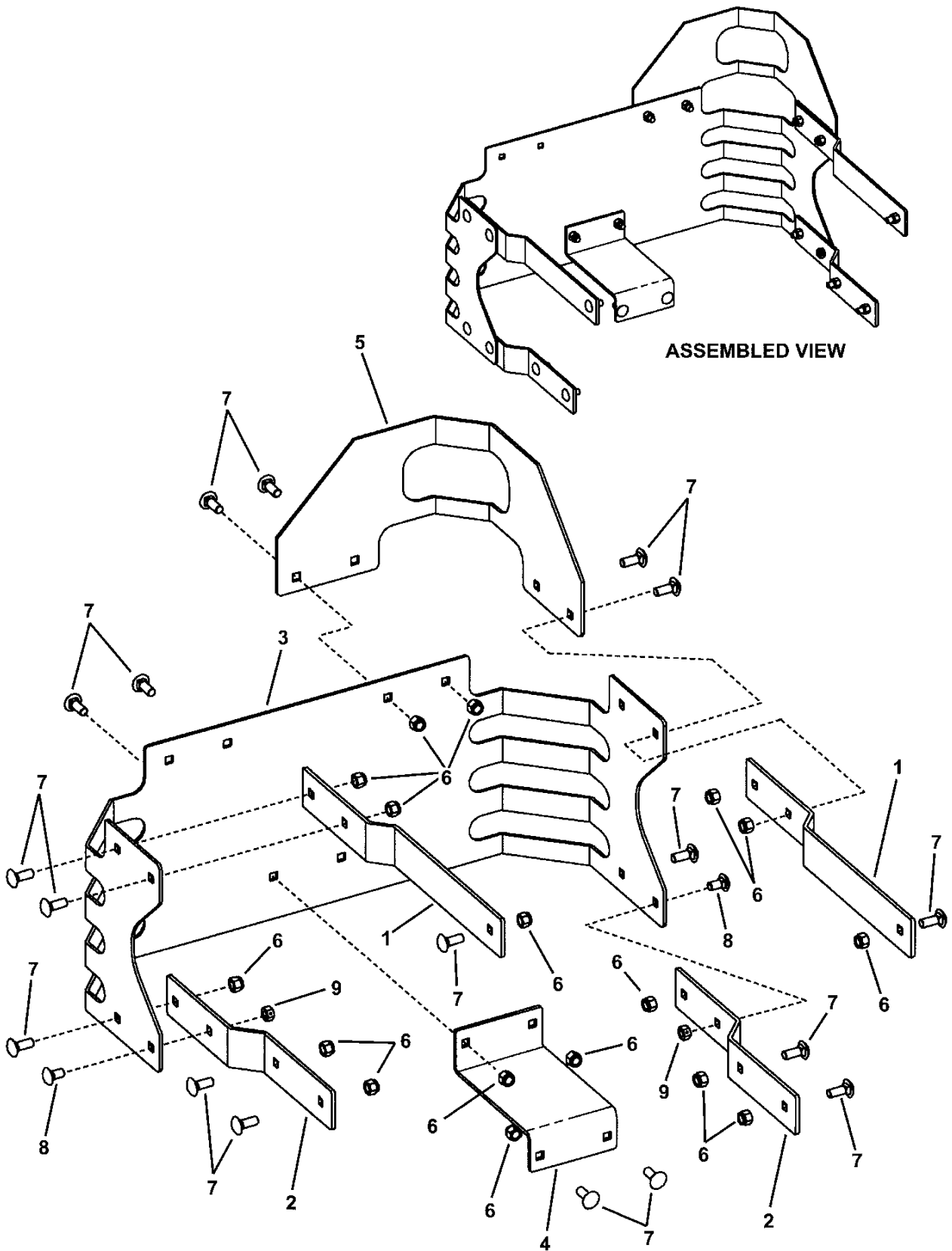
SEAT ASSEMBLY

Item	Part No	Qty	Description	Note
	7075417	1	** SEAT ASSY (Seats Inc. p/n 178777)	<i>(Incl. angle brackets, seat pan, cushions, flip-up armrests, adjusters w/lock & seat switch)</i>
	7029338	1	** SEAT ASSY (Seats Inc. p/n 179035VD310 Silver/Black (not shown))	<i>used on NZM27613KH only</i>
1	7074218	2	SPRING, Compression- Seat Support 2.75" Tall	<i>on Kawasaki models</i>
1	7078299	2	SPRING, Compression- Seat Support 2.25" Tall	<i>on Kohler models</i>
2	7090368	1	SCREW, 5/16-18 x 3/4" Hex Washer Self-Tap	
3	7090122	2	WASHER, 3/8" SAE Flat	
4	7091299	6	NUT, 3/8-16 Hex Nyloc	
5	7075419	1	SEAT PAN	
6	7074673	1	CROSSMEMBER, Seat Support	
7	7058546	1	WELDMENT, Hinge Bracket (shown)	<i>on Kawasaki models</i>
7	7050563	1	WELDMENT, Hinge Bracket (not shown)	<i>on Kohler models</i>
8	7015761	6	SHOULDER BOLT, 5/16-18	
9	7090951	2	NUT, 5/16-18 Large Flange Hex Center Lock	
10	7091640	7	BOLT, 3/8-16 x 1" Square Neck Carriage GR 5	
11	7074740	1	GUARD, Fan	
12	7023341	2	KNOB, 1/4-20 x 3/4" Thread	
13	7091909	2	WELL-NUT, 1/4-20 x 53/64	
14	7090361	5	SCREW, 5/16-18 x 5/8" Hex Washer Self-Tap	
15	7035638	1	CLIP, Open 3/8" Cushioned	
16	7075616	1	LATCH, Seat Support	
17	7090188	6	WASHER, 5/16" Flat	
18	7091298	7	NUT, 5/16-18 Hex Nyloc	
19	7026292	1	SPRING, Extension	
20	7027174	2	SCREW, 5/16-18 x 2" Hex Head Cap GR 5	
21	7028620	1	SPACER, .340 I.D. x .63 O.D. x .310 Thick	
22	7022793	2	BUSHING, Seat	
23	7022794	2	SPACER	
24	7036492	2	SPRING, Compression 1.52" Tall	<i>on Kawasaki models</i>
24	7071767	2	SPRING, Compression 1.72" Tall	<i>on Kohler models</i>
25	7033362	1	HOLDER, Seat Switch	
26	7023354	1	SWITCH, Seat, NC	
27	7073596	1	DECAL, Danger- High Speed Rotating Parts	
28	7075433	1	DECAL, Reservoir Oil Level	
29	7026249	2	SPACER, Washer (not shown)	<i>used on NZM27613KH only</i>
30	7091923	2	BOLT, 3/8-16 x 3/4" Square Neck Carriage	<i>used on NZM27613KH only</i>

Footnotes:

Note ** Order parts (arm rests, ect.) from Seats, Inc. 1-800-767-3287

MUFFLER GUARD ASSEMBLY

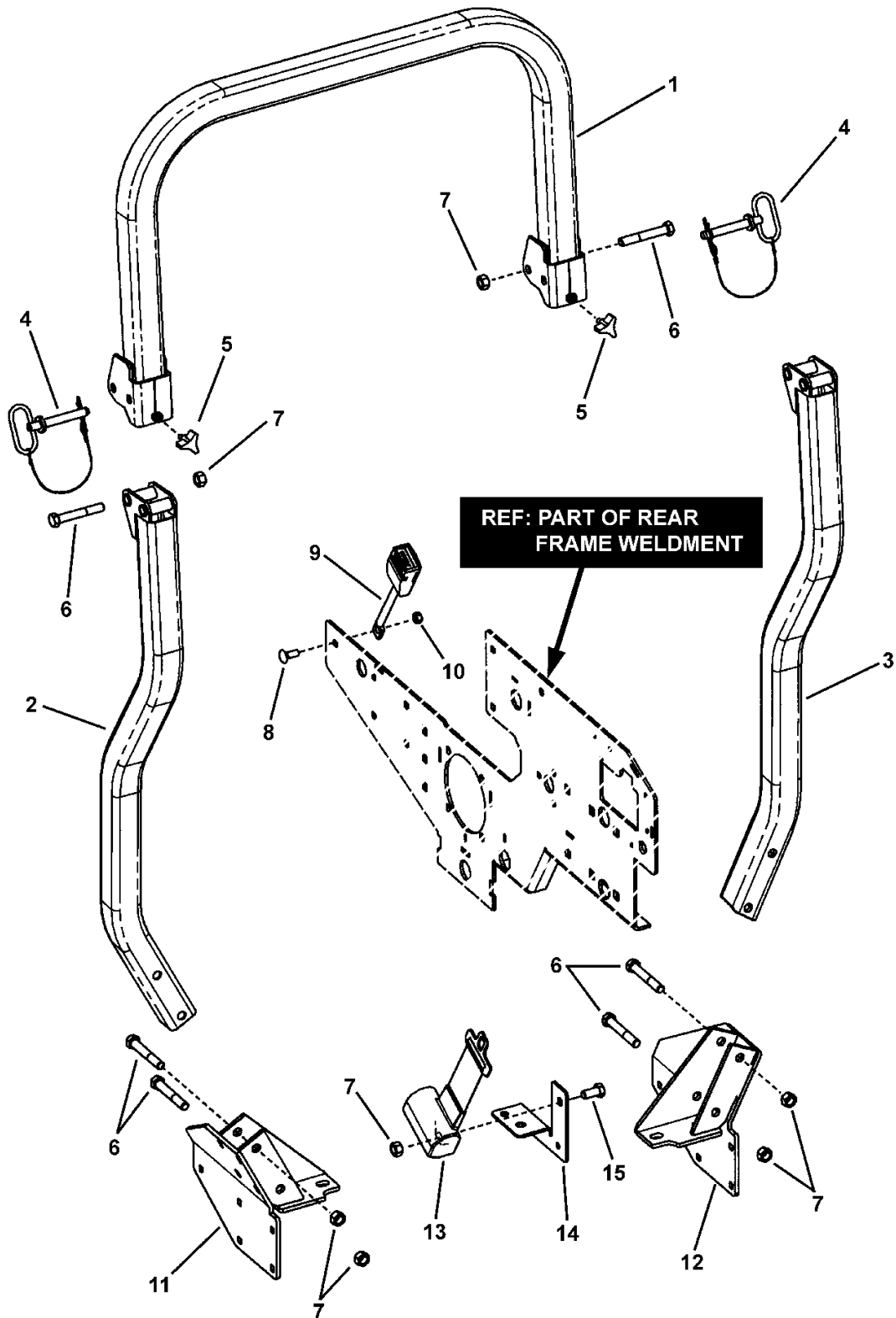


MUFFLER GUARD ASSEMBLY

Item	Part No	Qty	Description	Note
1	7074691	2	UPPER BRACKET, Muffler Guard	
2	7074692	2	MOUNT, Lower Muffler Guard	
3	7074693	1	GUARD, Muffler (Back Plate)	
4	7074785	1	REAR BRACE, Muffler Guard	
5	7075073	1	GUARD, Muffler	
6	7091299	17	NUT, 3/8-16 Hex Nyloc	
7	7091640	18	BOLT, 3/8-16 x 1" Square Neck Carriage GR 5	
8	7091923	2	BOLT, 3/8-16 x 3/4" Square Neck Carriage	
9	7091585	3	NUT, 3/8-16 Hex Center Lock	

Footnotes:

ROLL BAR PROTECTIVE STRUCTURE

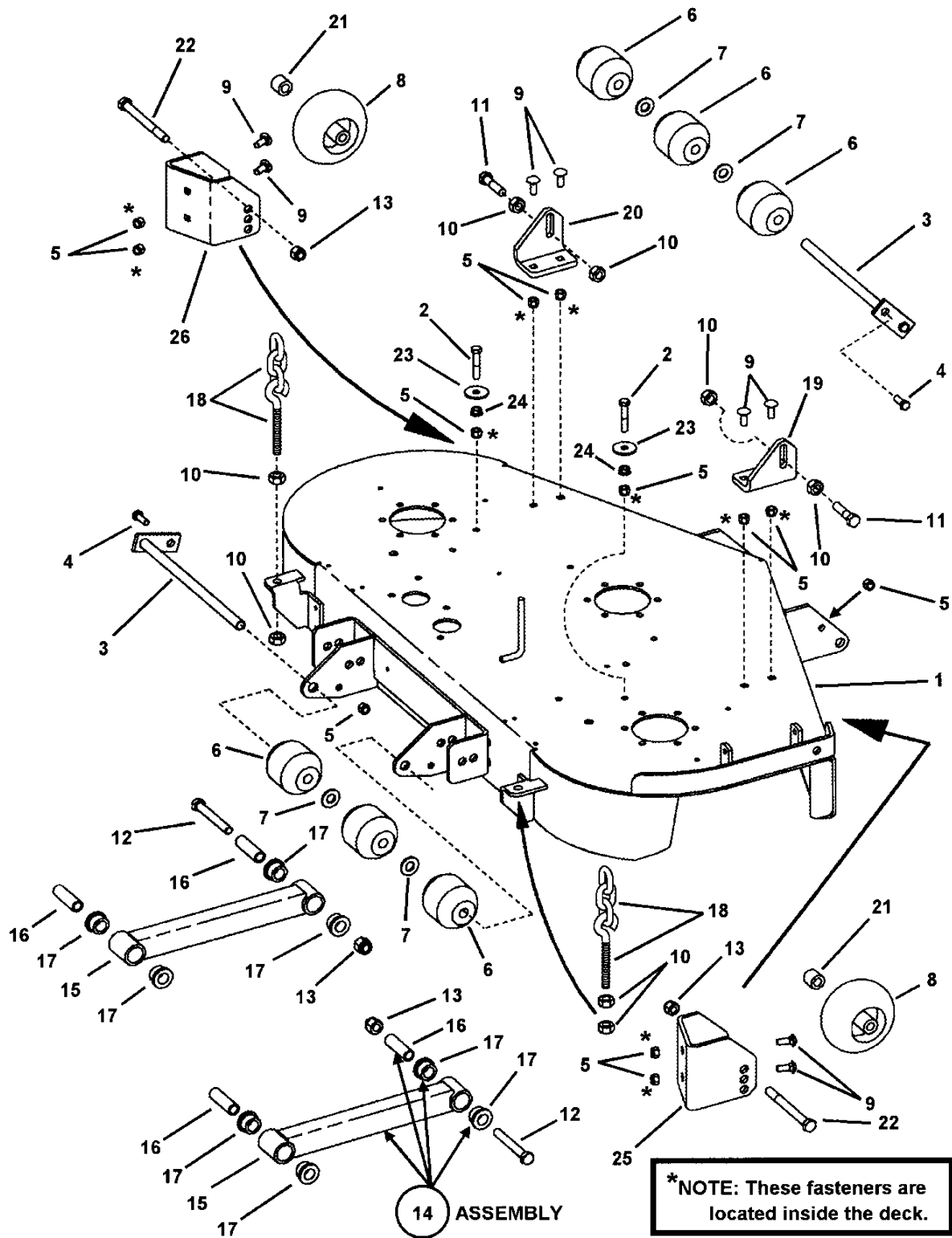


ROLL BAR PROTECTIVE STRUCTURE

Item	Part No	Qty	Description	Note
1	7100091	1	TOP LOOP, Folding	
2	7100089	1	WELDMENT POST, RH	
3	7100090	1	WELDMENT POST, LH	
4	7100095	2	PIN, Hinge (ROPS)	
5	7100099	2	STAR KNOB (5/16-18 thread)	
6	7092123	6	SCREW, 1/2-13 x 3-1/4" Hex Head Cap, GR 5	
7	7090975	11	NUT, 1/2-13 Hex Center Lock, GR 5	<i>or 7091894</i>
8	7091640	1	BOLT, 3/8-16 x 1" Square Neck Carriage, GR 5	
9	7100228	1	SEAT BELT, w/Metal Strap	
10	7091585	1	NUT, 3/8-16 Hex Center Lock	
11	7400080	1	WELDMENT, Right Hand Socket	<i>see also on REAR FRAME & TANK BRACKETS page</i>
12	7400081	1	WELDMENT, Left Hand Socket	<i>see also on REAR FRAME & TANK BRACKETS page</i>
13	7100227	1	SEAT BELT, Retractor	
14	7300139	1	BRACKET, Seat Beal, LH	<i>see also on FUEL TANK ASSEMBLY page</i>
15	7090646	5	SCREW, 1/2-13 x 1" Hex Head Cap, GR 5	

Footnotes:

48" CUTTING DECK ASSEMBLY (Sub Assy)

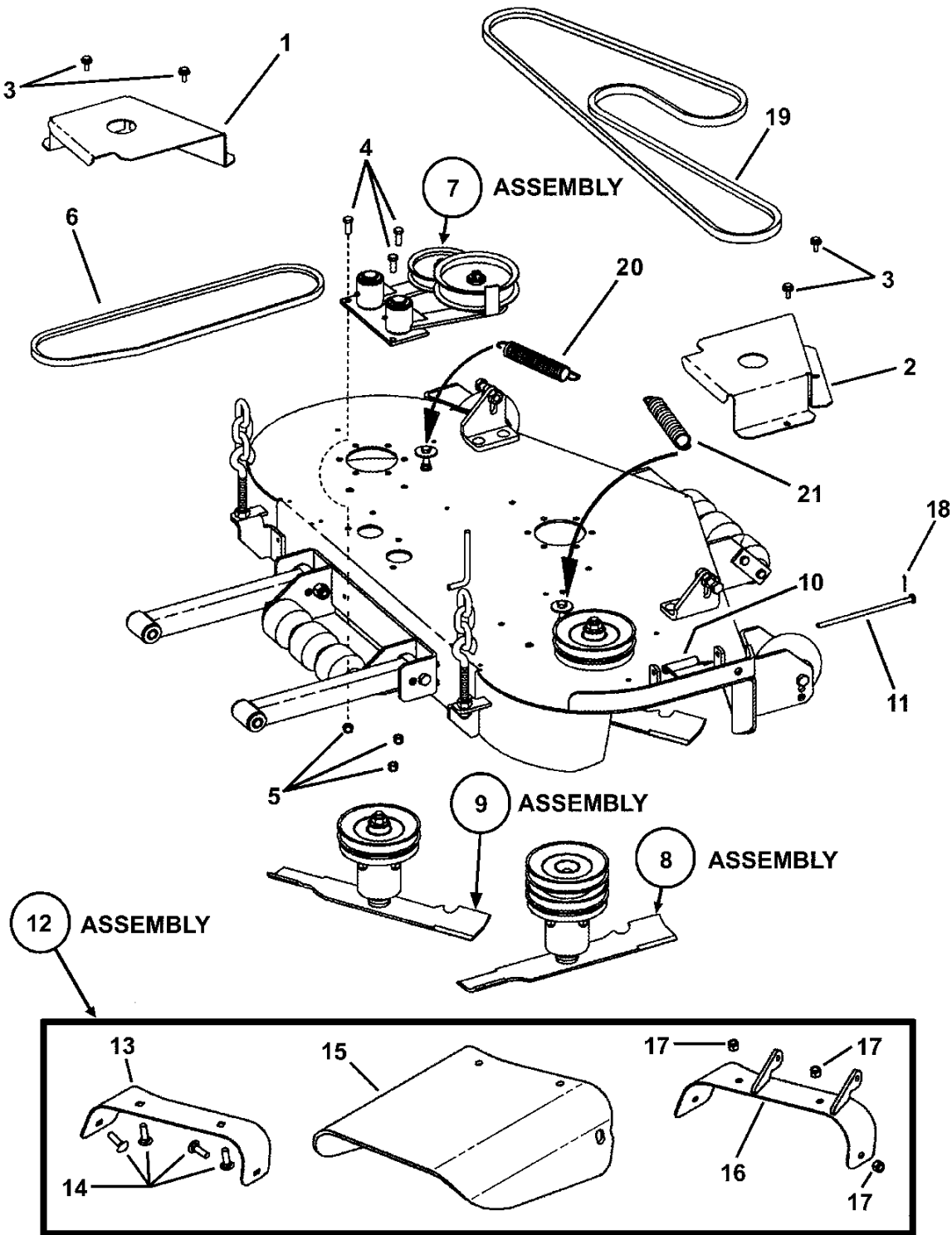


48" CUTTING DECK ASSEMBLY (Sub Assy)

Item	Part No	Qty	Description	Note
1	7059475	1	WELDMENT, 48" Deck	Deck Group 7075585
2	7091305	2	SCREW, 3/8-16 x 2" Hex Head Cap, GR 5	or 7090588
3	7027327	2	WELDMENT, Pivot Pin	
4	7091304	2	SCREW, 3/8-16 x 1" Hex Head Cap, GR 5	
5	7091299	15	NUT, 3/8-16 Hex Nyloc	
6	7073142	6	ROLLER Low Density Polyethylene	or 7079226
7	7027344	4	WASHER, 5/8" Flat SAE	
8	7029264	2	GAUGE WHEEL, Polyethylene	
9	7091640	8	BOLT, 3/8-16 x 1" Square Neck Carriage GR 5	
10	7091316	8	NUT, 1/2-13 Hex, GR B	
11	7090543	2	SCREW, 1/2-13 x 2" Hex Head Cap, GR 5	
12	7029355	2	BOLT, 1/2-13 x 3-3/4" Hex Head Cap, GR 5	
13	7091922	4	NUT, 1/2-13 Hex Light Nyloc	
14	7059107	2	ASSEMBLY, Pusher Bar (Includes items 15-17)	
15	7059108	1	WELDMENT, Pusher Bar	
16	7029263	2	SLEEVE - Suspension	
17	7029258	4	BUSHING - Suspension	
18	7053562	2	ASSEMBLY, Chain & Eyebolt	see FRONT FRAME ASS'Y (Deck Lift) page, item 22
19	7075580	1	BRACKET, Front Deck Lift, Right Hand	
20	7075581	1	BRACKET, Front Deck Lift, Left Hand	
21	7036456	2	SPACER, Gauge Wheel	
22	7091822	2	BOLT, 1/2-13 x 5" Hex Head	
23	7091331	2	WASHER, .406 x 1.50 x .120 Flat	
24	7091619	2	NUT, 3/8-16 Hex Flange Lock	
25	7074789	1	WHEEL BRACKET Front Right	
26	7074790	1	WHEEL BRACKET Front Left	

Footnotes:

48" CUTTING DECK ASSEMBLY (Final Assy)

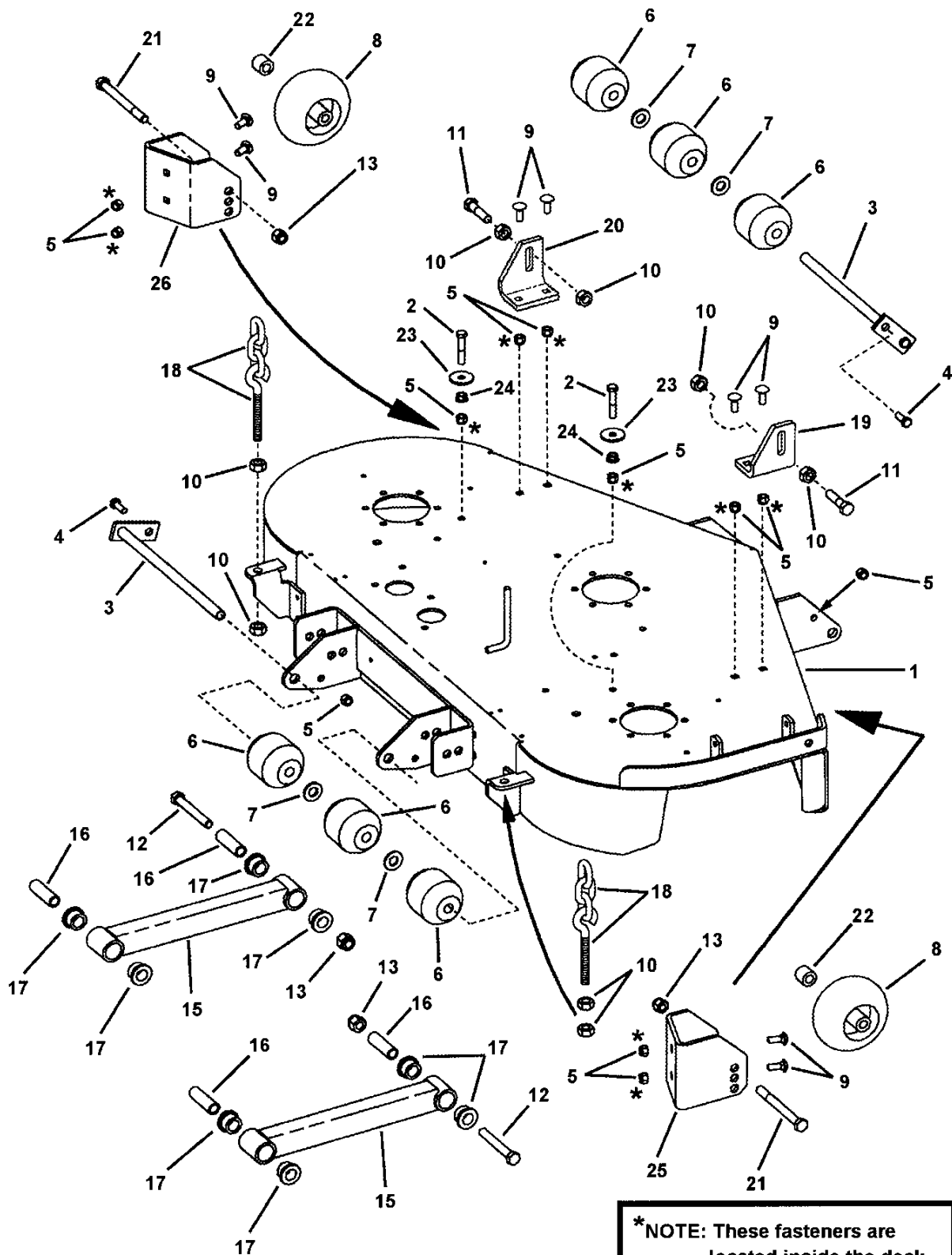


48" CUTTING DECK ASSEMBLY (Final Assy)

Item	Part No	Qty	Description	Note
1	7074571	1	BELT COVER, Left Hand	
2	7074552	1	BELT COVER, Right Hand	
3	7090361	4	SCREW, 5/16-18 x 5/8" Hex Washer Self-Tap	
4	7091304	3	SCREW, 3/8-16 x 1" Hex Head Cap, GR 5	
5	7091299	3	NUT, 3/8-16 Hex Nyloc	
6	7075083	1	BELT, Primary (HB Section, 91.30" effective length)	
7		1	ASSEMBLY, Idler	<i>(see breakdown on IDLER ASSEMBLIES page)</i>
8		1	ASSEMBLY, Center Spindle	<i>(see breakdown on DECK SPINDLE ASSEMBLIES page)</i>
9		2	ASSEMBLY, Spindle	<i>(see breakdown on DECK SPINDLE ASSEMBLIES page)</i>
10	7027950	1	SPRING, Chute	
11	7029277	1	PIN, Chute Hinge	
12		1	ASSEMBLY, Discharge Chute	<i>includes 5 items below</i>
13	7078133	1	DEFLECTOR, Bottom	
14	7091790	4	BOLT, 3/8-16 x 1-1/4" Square Neck Carriage, GR 5	
15	7100621	1	CHUTE, Rubber 48"	<i>replaces 7078146</i>
16	7050590	1	WELDMENT, 48" Chute	
17	7091299	4	NUT, 3/8-16 Hex Nyloc	
18	7091313	1	PIN, 3/32 x 1" Cotter	
19	7029261	1	V-BELT, Secondary, 48" (HB Sect. 109.75" effective length)	
20	7029278	1	SPRING, Idler (1.17" O.D. x 7.5" long)	
21	7072915	1	SPRING, Idler Primary (1.25" O.D. x 10" long)	

Footnotes:

52" CUTTING DECK ASSEMBLY (Sub Assy)

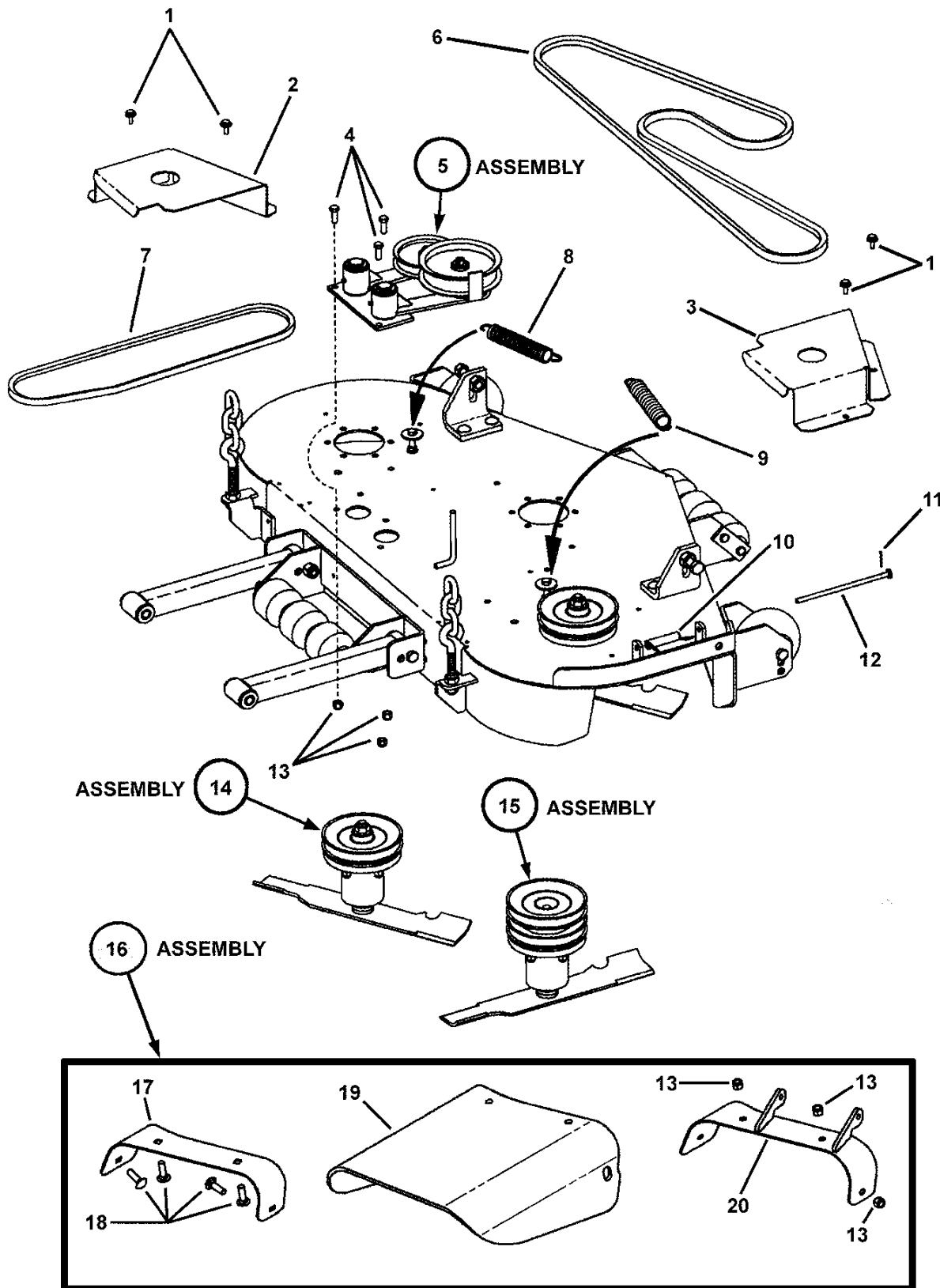


52" CUTTING DECK ASSEMBLY (Sub Assy)

Item	Part No	Qty	Description	Note
1	7059374	1	WELDMENT, 52" Deck	
2	7091305	2	SCREW, 3/8-16 x 2" Hex Head Cap, GR 5	
3	7027327	2	WELDMENT Pivot Pin	
4	7091304	2	SCREW, 3/8-16 x 1" Hex Head Cap, GR 5	
5	7091299	6	NUT, 3/8-16 Hex Nyloc	
6	7073142	6	ROLLER Low Density Polyethylene	or 7079226
7	7027344	2	WASHER, 5/8" Flat SAE	
8	7029264	2	GAUGE WHEEL, Polyethylene	
9	7091640	6	BOLT, 3/8-16 x 1" Square Neck Carriage, GR 5	
10	7091544	4	NUT, 1/2-13 Hex Flange GR 5	
11	7090543	2	SCREW, 1/2-13 x 2" Hex Head Cap, GR 5	
12	7029355	2	BOLT, 1/2-13 x 3-3/4" Hex Head Cap, GR 5	
13	7091922	4	NUT, 1/2-13 Hex Light Nyloc	
14	7059107	2	ASSEMBLY, Pusher Bar (Includes items 15-17)(Not Shown)	
15	7059108	1	WELDMENT, Pusher Bar	
16	7029263	2	SLEEVE - Suspension	
17	7029258	4	BUSHING - Suspension	
18	7053562	2	ASSEMBLY, Chain & Eyebolt (see Front Frame Assy page)	see FRONT FRAME ASS'Y (Deck Lift) page, item 22
19	7075582	1	BRACKET, Front Deck Hanger R. H.	
20	7075583	1	BRACKET, Front Deck Hanger L. H.	
21	7091822	4	BOLT, 1/2-13 x 5" Hex Head	
22	7036456	2	SPACER, Gauge Wheel	
23	7091331	2	WASHER, .406 x 1.50 x .120 Flat	
24	7091619	2	NUT, 3/8-16 Hex Flange Lock	
25	7074789	1	WHEEL BRACKET Front Right	
26	7074790	1	WHEEL BRACKET Front Left	

Footnotes:

52" CUTTING DECK ASSEMBLY (Final Assy)



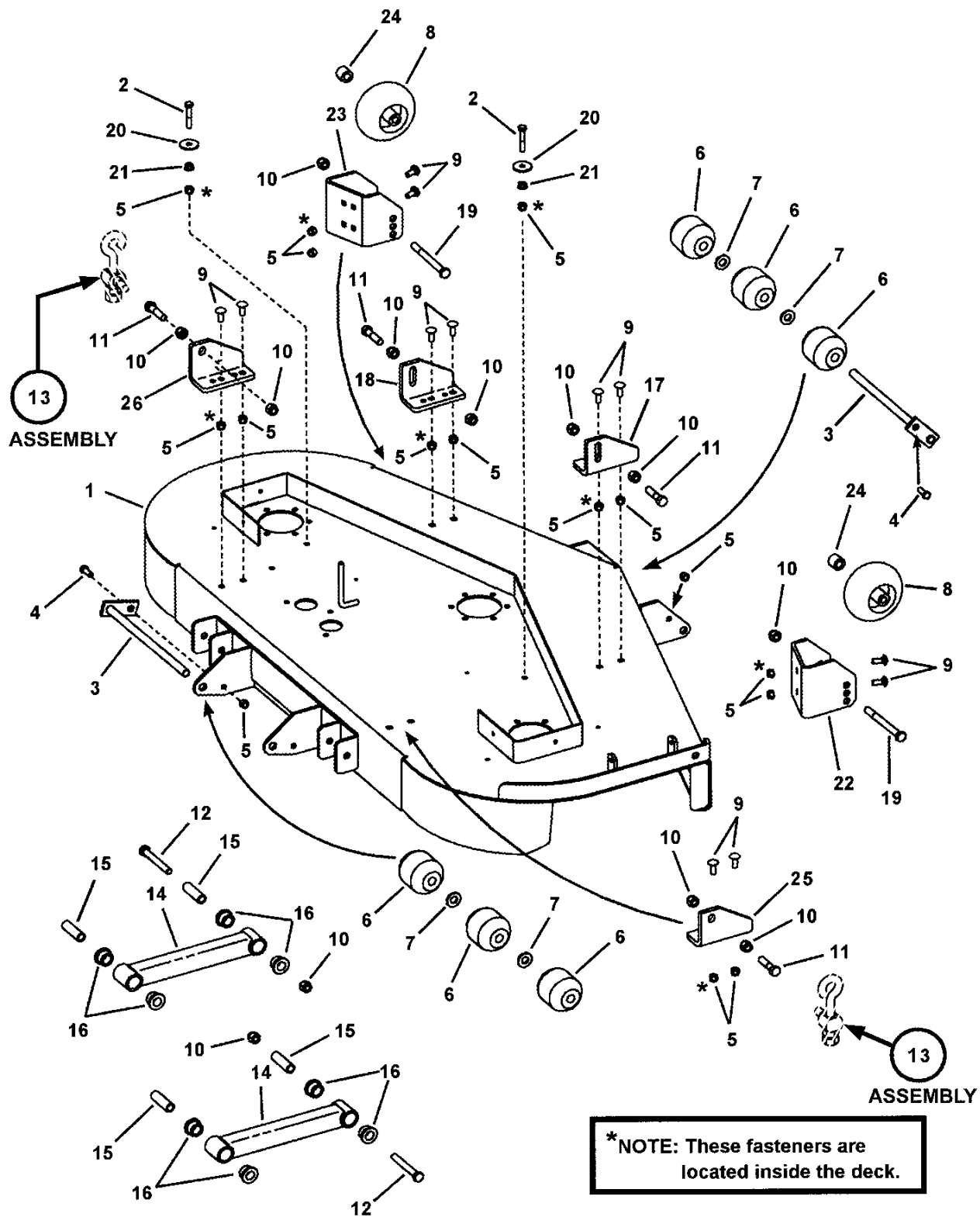
52" CUTTING DECK ASSEMBLY (Final Assy)

Item	Part No	Qty	Description	Note
1	7090361	4	SCREW, 5/16-18 x 5/8" Hex Washer Self-Tap	
2	7074571	1	BELT COVER, Left Hand	
3	7074552	1	BELT COVER, Right Hand	
4	7091304	3	SCREW, 3/8-16 x 1" Hex Head Cap, GR 5	
5		1	ASSEMBLY, Idler (see breakdown on Idler Assy page)	
6	7029266	1	*V-BELT, Secondary- 52" (HB Section, 116.30" effective length)	
7	7075083	1	*BELT, Primary (HB Section, 91.30" effective length)	
8	7029278	1	SPRING, Idler (1.17" O.D. x 7.5" long)	
9	7072915	1	SPRING, Idler Primary (1.25" O.D. x 10" long)	
10	7027950	1	SPRING, Chute	
11	7091313	1	PIN, 3/32 x 1" Cotter	
12	7029277	1	PIN, Chute Hinge	
13	7091299	7	NUT, 3/8-16 Hex Nyloc	
14		2	ASSEMBLY, Spindle (see breakdown on Deck Spindle Assy page)	
15	7054011	1	ASSEMBLY, Center Spindle (see breakdown on Deck Spindle Assy page)	
16		1	ASSY, Discharge Chute, 52" Deck	<i>incl. items 13, 17, 18, 19 & 20</i>
17	7300036	1	DEFLECTOR BOTTOM (52" Deck)	
18	7091790	4	BOLT, 3/8-16 x 1-1/4" Square Neck Carriage, GR 5	
19	7100623	1	DEFLECTOR, 52" Chute (Rubber)	
20	7400008	1	WELDMENT, 52" Discharge Chute	

Footnotes:

*NOTE: Snapper part number stamped on belt

61" CUTTING DECK ASSEMBLY (Sub Assy)

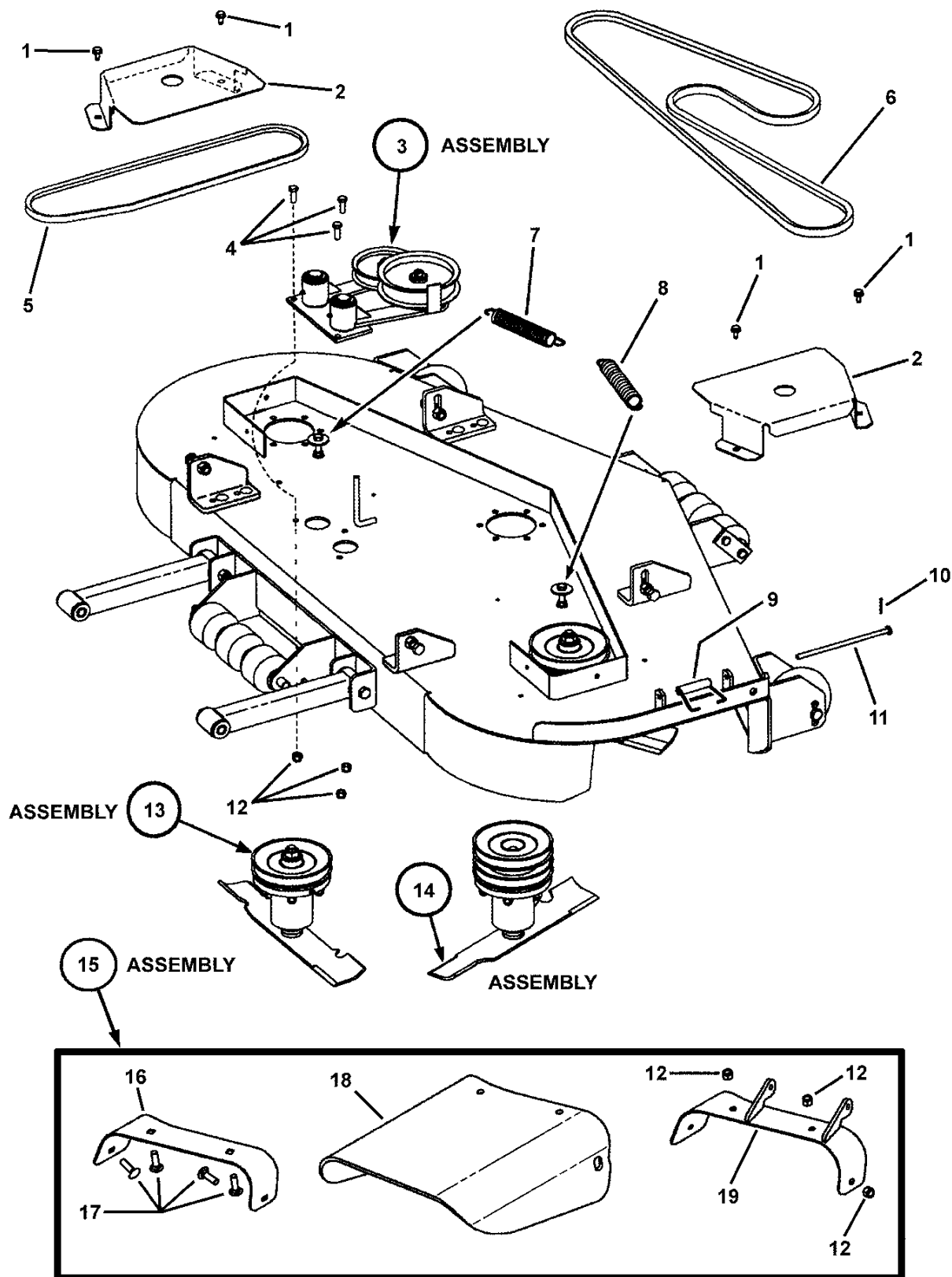


61" CUTTING DECK ASSEMBLY (Sub Assy)

Item	Part No	Qty	Description	Note
1	7044815	1	WELDMENT, 61" Deck	
2	7091305	2	SCREW, 3/8-16 x 2" Hex Head Cap, GR 5	
3	7027327	2	WELDMENT Pivot Pin	
4	7091304	5	SCREW, 3/8-16 x 1" Hex Head Cap, GR 5	
5	7091299	16	NUT, 3/8-16 Hex Nyloc	
6	7073142	6	ROLLER, Low Density Polyethylene	or 7079226
7	7027344	4	WASHER, 5/8" Flat SAE	
8	7029264	2	GAUGE WHEEL, Polyethylene	
9	7091640	12	BOLT, 3/8-16 x 1" Square Neck Carriage, GR 5	
10	7091922	12	NUT, 1/2-13 Hex Light Nyloc	
11	7090543	4	SCREW, 1/2-13 x 2" Hex Head Cap, GR 5	
12	7029355	2	BOLT, 1/2-13 x 3-3/4" Hex Head Cap, GR 5	
13		2	ASSEMBLY, Rear Linkage (ref. Front Frame Assembly Deck Lift page item #7B)	
14	7044823	1	WELDMENT, Pusher Bar	
15	7029263	2	SLEEVE - Suspension	
16	7029258	4	BUSHING - Suspension	
17	7075382	1	BRACKET, Deck Lift, Right Hand	
18	7075381	1	BRACKET, Deck Lift, Left Hand	
19	7091822	2	BOLT, 1/2-13 x 5" Hex Head	
20	7091331	2	WASHER, .406 x 1.50 x .120 Flat	
21	7091619	2	NUT, 3/8-16 Hex Flange Lock	
22	7074789	1	WHEEL BRACKET, Front Right	
23	7074790	1	WHEEL BRACKET, Front Left	
24	7036456	2	SPACER, Gauge Wheel	
25	7075781	1	BRACKET, Deck Lift, RH Rear	
26	7075780	1	BRACKET, Deck Lift, LH Rear	

Footnotes:

61" CUTTING DECK ASSEMBLY (Final Assy)



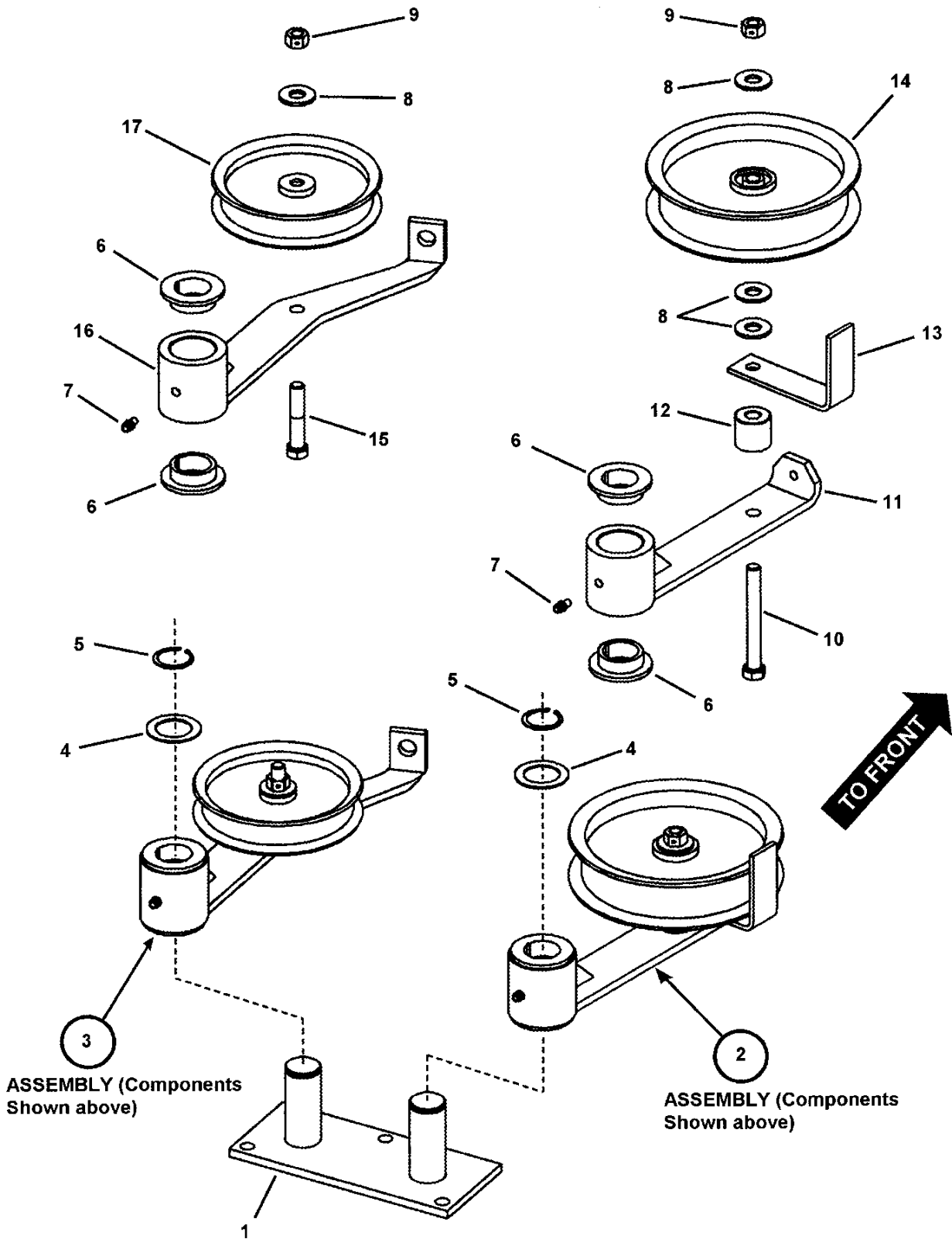
61" CUTTING DECK ASSEMBLY (Final Assy)

Item	Part No	Qty	Description	Note
1	7090361	4	SCREW, 5/16-18 x 5/8" Hex Washer Self-Tap	
2	7075384	2	BELT COVER, 61" Deck	
3		1	ASSEMBLY, Idler (see breakdown on Idler Assy page)	
4	7091304	3	SCREW, 3/8-16 x 1" Hex Head Cap, GR 5	
5	7071766	1	*BELT, Primary (HB Section, 94.2" effective length)	
6	7029268	1	*V-BELT, Secondary- 61" (HB Section, 127.0" effective length)	
7	7029278	1	SPRING, Idler (1.17" O.D. x 7.5" long)	
8	7072915	1	SPRING, Idler Primary (1.25" O.D. x 10" long)	
9	7027950	1	SPRING, Chute	
10	7091313	1	PIN, 3/32 x 1" Cotter	
11	7029277	1	PIN, Chute Hinge	
12	7091299	7	NUT, 3/8-16 Hex Nyloc	
13		2	ASSEMBLY, Spindle (see breakdown on Deck Spindle Assy page)	
14		1	ASSEMBLY, Center Spindle (see breakdown on Deck Spindle Assy page)	
15		1	ASSEMBLY, Discharge Chute, 61" Deck	<i>incl. items 12, 16, 17, 18 & 19</i>
16	7300034	1	DEFLECTOR BOTTOM (61" Deck)	
17	7091790	4	BOLT, 3/8-16 x 1-1/4" Square Neck Carriage, GR 5	
18	7100622	1	CHUTE, Rubber (61" Deck)	
19	7400007	1	WELDMENT, 61" Discharge Chute	

Footnotes:

*NOTE: Snapper part number stamped on belt

IDLER ASSEMBLIES

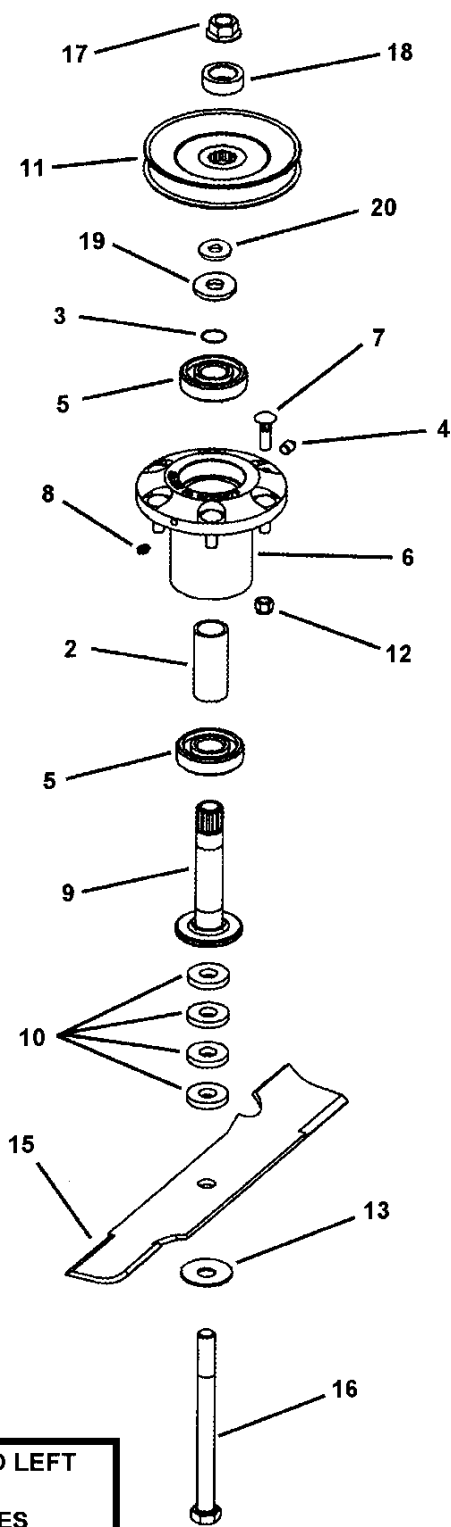


IDLER ASSEMBLIES

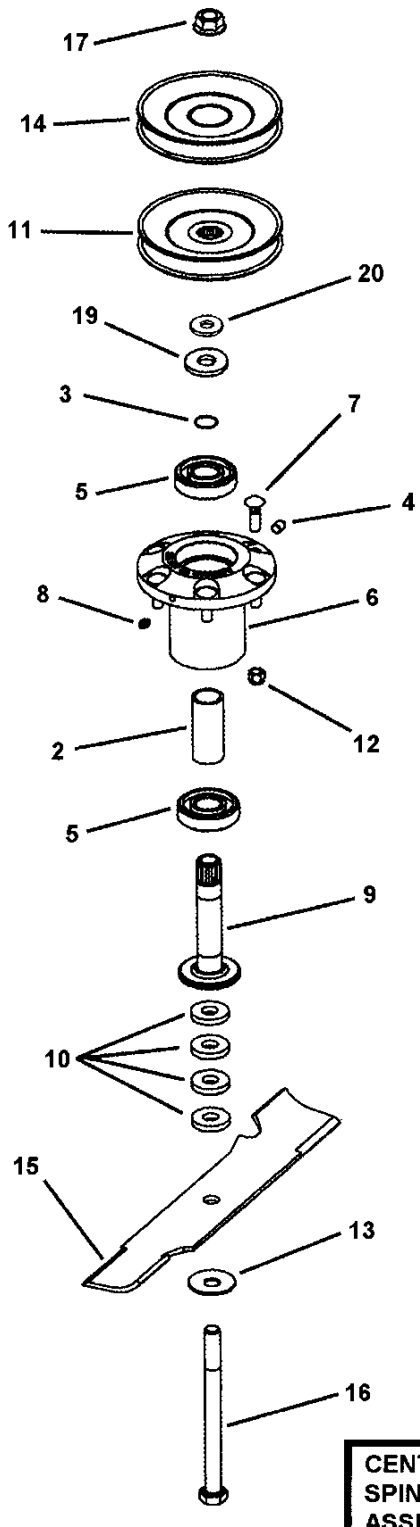
Item	Part No	Qty	Description	Note
1	7058147	1	WELDMENT, Idler Plate	
2		1	ASSEMBLY, Primary Idler	<i>Includes items 6 (2), 7, 8 (3), 9, 10, 11, 12, 13 & 14</i>
3		1	ASSEMBLY, Secondary Idler	<i>Includes items 6 (2), 7, 8, 9, 15, 16 & 17</i>
4	7023747	2	BUSHING, 1" Machine	
5	7012709	2	RING, 1" External Retaining	
6	7074720	4	BUSHING, Idler (Powdered Metal)	
7	7014669	2	LUBE FITTING, 3/16"	
8	7090517	4	WASHER, 3/8" Flat	
9	7091585	2	NUT, 3/8-16 Hex Center Lock, GR 5 or B	
10	7027220	1	SCREW, 3/8-16 x 3-1/4" Hex Head Cap, GR 5	
11	7058877	1	WELDMENT, Primary Idler Arm	
12	7035657	1	BUSHING - Idler	
13	7035656	1	RETAINER, Idler Belt	
14	7034422	1	PULLEY, Flat Idler	
15	7091553	1	SCREW, 3/8-16 x 1-3/4" Hex Head Cap, GR 5	
16	7058329	1	WELDMENT, Secondary Idler Arm	
17	7029273	1	PULLEY, Idler	

Footnotes:

DECK SPINDLE ASSEMBLIES



**RIGHT AND LEFT
SPINDLE
ASSEMBLIES**



**CENTER
SPINDLE
ASSEMBLY**

DECK SPINDLE ASSEMBLIES

Item	Part No	Qty	Description	Note
	7054011	1	SUB-ASSEMBLY, Spindle (Incl. the 8 items below)	
2	7029254	1	SPACER, Bearing	
3	7029274	1	*RING, Spindle Retaining	
4	7029384	1	VENT, Spindle (Alemite # 321839)	
5	7029422	2	BALL BEARING (2 per item 1, sub-assembly)	
6	7058237	1	ASSEMBLY, Spindle Housing (includes items 4 & 8)	7054017, Casting Ass'y includes spindle housing & 6 item 7's.
7	7029302	6	BOLT, Ribbed (3/8-16 x 1-1/4" Thread) (6 per item 1, sub-assembly)	
8	7029275	1	FITTING, Lube (1/4-28 Special Thread Forming)	Alemite #3038-B
9	7059311	1	SHAFT, Spindle	
10	7029271	4	SPACER, Blade	
11	7029245	1	PULLEY, 5.75" Diameter	
12	7091299	6	NUT, 3/8-16 Hex Nyloc (6 per spindle assembly)	
13	7016440	1	WASHER, Beveled	
14	7075075	1	PULLEY, Driven (48" Deck only)	
14	7075076	1	PULLEY, Driven (52" Deck only)	
14	7029250	1	PULLEY, Driven (61" Deck only)	
15	7075771	1	BLADE, 16-1/2" (48" Deck only)	
15	7075751	1	BLADE, 18" Commercial w/Extra Cut (52" Deck only)	
15	7075770	3	BLADE, 21" (61" Deck only)	
16	7063234	1	BOLT, 5/8-11 x 7-1/2" Hex, GR 5	
17	7063237	1	NUT, 5/8-11 Hex Flange Lock, GR 5	
18	7029270	1	WASHER, Spindle	
19	7063238	1	*SEAL, Nylas	
20	7013370	1	*WASHER	

Footnotes:

*NOTE: For Bearing Pre-Seal Kit (63240) installation, discard 3 & replace with 19 & 20.

1 SNAPPER PRO™

2 [Icon of a person's head]

3 PUSH FORWARD TO RELEASE
PULL UP TO ENGAGE
PARKING BRAKE 752-09

4 DO NOT OVERFILL OIL RESERVOIRS!
MAINTAIN OIL LEVEL AT 1.5" FROM THE TOP OF THE TANK FILLER NECK.

5 [Curved scale with numbers 1-6]

6 **CAUTION** HIGH SPEED ROTATING PARTS!
KEEP AWAY FROM MOVING PARTS WHILE ENGINE IS RUNNING.
FAILURE TO FOLLOW THIS WARNING COULD RESULT IN SERIOUS INJURY.

7 [Icon of a person's head]

8 RIGHT AUX
LEFT MAIN

9 **CAUTION** ROLL OVER PROTECTIVE STRUCTURE
To maintain operator protection and roll bar certification:
Replace a damaged roll bar, do NOT attempt to repair or modify.
Any alteration of the roll bar must be approved by the manufacturer.
DO NOT exceed the machine's weight rating of the roll bar.

10 **PRECAUCIÓN** ESTRUCTURA PROTECTORA CONTRA VOLCADURAS
Para mantener protección al operador y la certificación de la barra antivuelco:
Reemplazé la barra antivuelco dañada. NO intente repararla ni modificarla.
Cualquier cambio a la barra antivuelco debe ser aprobado por el fabricante.
NO exceda la clasificación de peso de la máquina que especifica la barra antivuelco.

11 **ADVERTENCIA**
Evite lesiones graves o la muerte debido a un vuelco.
No maneje la máquina sin tener la barra antivuelco instalada y operacional.

12 **WARNING**
Avoid serious injury or death from rollover.
Do not operate without the rollbar installed and operational.

13 **LOW OVERHANGING OBSTACLES HAZARD**
Check for overhead clearances before driving under any objects. Do NOT allow roll bar to contact low overhanging obstacles, such as tree branches and utility wires.

14 30 ACC
30 CHUTE
7.5 PTO
15 START

15 **MOTION CONTROL LEVERS**
PALANCAS DE CONTROL DE MOVIMIENTO
FORWARD AVANCE
LEFT TURN VIRAJE A LA IZQUIERDA
RIGHT TURN VIRAJE A LA DERECHA
REVERSE RETROCESO

16 **AVOID SERIOUS INJURY OR DEATH FROM ROLL OVER:**
Keep roll bar in the raised position and use seat belt.
THERE IS NO ROLL OVER PROTECTION WHEN THE ROLL BAR IS DOWN.
Lower the roll bar only when necessary and NEVER remove it.
Do NOT use seat belt when the roll bar is down.
Raise the roll bar as soon as clearance permits.
Do NOT jump on / power tips.
Read and follow all operating instructions and warnings in the operator's manual.

17 **EVITE LESIONES GRAVES O LA MUERTE POR VOLCADURAS:**
Mantenga la barra antivuelco en la posición elevada y utilice el cinturón de seguridad.
NO TENDRÁ PROTECCIÓN CUANDO LA BARRA ANTIVUELCO ESTÁ ABAJO.
Baja la barra antivuelco solamente cuando sea necesario y NO la quite NUNCA.
NO utilice el cinturón de seguridad cuando la barra antivuelco está abajo.
Solo la barra antivuelco se puede bajar lo permitido al operar.
NO salte de la podadora cuando ésta se vuelque.
Lea el manual del operador y siga las instrucciones de operación y las advertencias ahí incluidas.

18 **PELIGRO DE OBSTACULOS QUE CUELGAN MUY ABAJO**
Revisar el espacio libre arriba de su cabeza antes de conducir por debajo de algún objeto. NO permita que la barra antivuelco entre en contacto con obstáculos que cuelgan muy abajo, como las ramas de los árboles y cables guía.

19 **DANGER**
KEEP HANDS AND FEET AWAY. DO NOT OPERATE MOWER UNLESS GUARDS OR THE ENTIRE GRASS CATCHER IS IN ITS PROPER PLACE.
ASSEMBLE CHUTE DEFLECTOR TO THIS UNIT BEFORE OPERATING!

20 48

21 52

22 61

23 HOUR METER

24 PTO

25 IGNITION

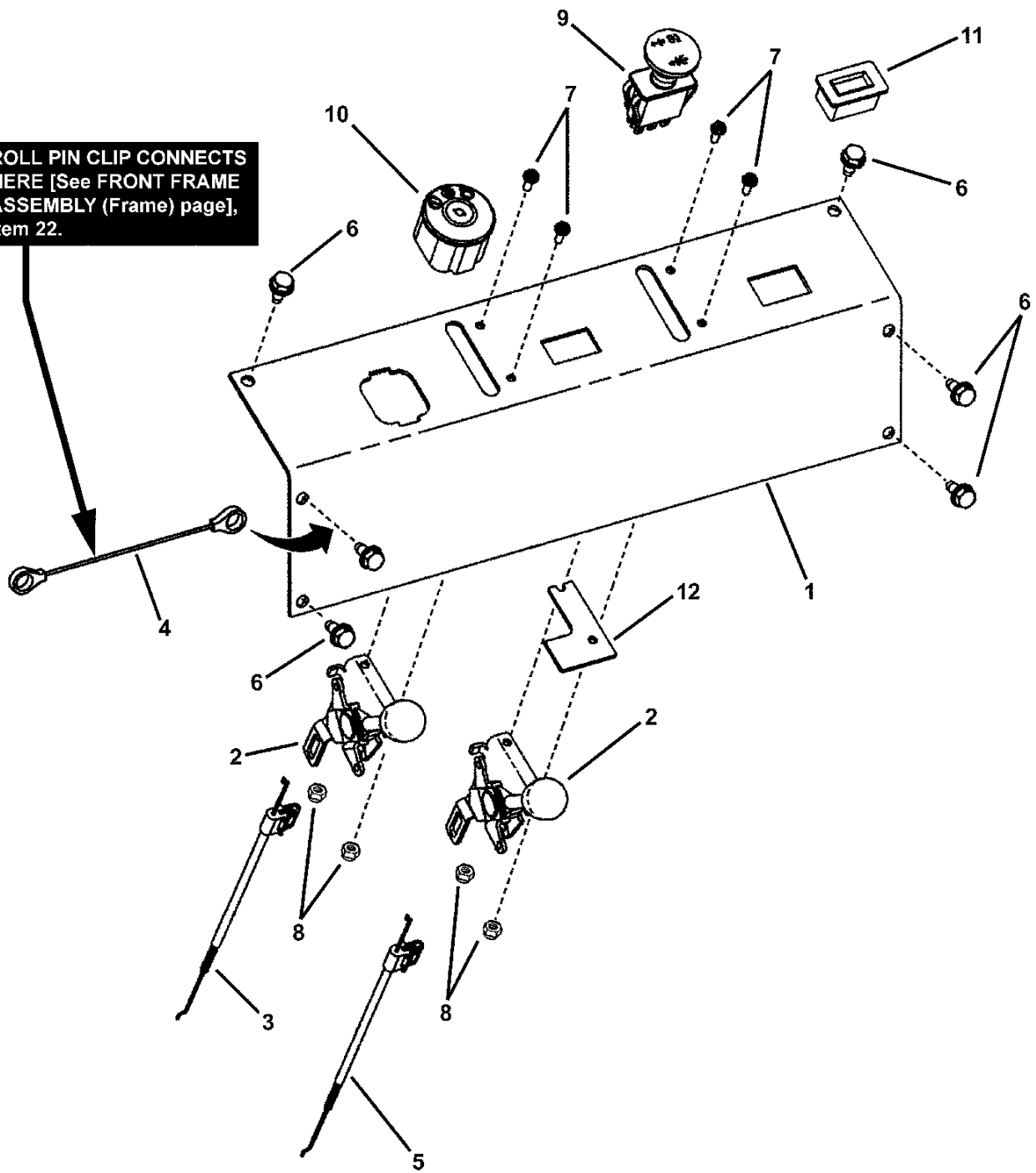
DECALS

Item	Part No	Qty	Description	Note
1	7074862	2	DECAL, Snapper Pro	
2	7027733	1	DECAL, Ear Protection	
3	7075040	1	DECAL, Park Brake	
4	7075433	1	DECAL, Oil Reservoir Overfill Warning	
5	7075296	1	DECAL, Caution (Spring Mechanism)	
6	7073596	1	DECAL, Danger (High Speed Rotating Parts)	
7	7075747	1	DECAL, Detent	
8	7045108	1	DECAL, Tank Selector	
9	7100170	1	DECAL, Caution ROPS	
10	7100171	1	DECAL, Caution ROPS (Spanish)	
11	7100843	2	DECAL, Warning (SP)	
12	5100683	2	DECAL, Warning, Rollbar	
13	7100284	1	DECAL, ROPS Overhang	
14	7075756	1	DECAL, Control Panel	
15	7075039	1	DECAL, Motion Control Levers	
16	7100172	1	DECAL, Warning ROPS	
17	7100173	1	DECAL, Warning ROPS (Spanish)	
18	7035846	1	DECAL, Fuse Block	
19	7073647	2	DECAL, Danger, Guard/Catcher	
20	7075565	1	DECAL, 48" Deck, (silver)	
21	7075566	1	DECAL, 52" Deck (silver)	
22	7075567	1	DECAL, 61" Deck (silver)	

Footnotes:

CONTROL PANEL ASSEMBLY

ROLL PIN CLIP CONNECTS
HERE [See FRONT FRAME
ASSEMBLY (Frame) page],
Item 22.

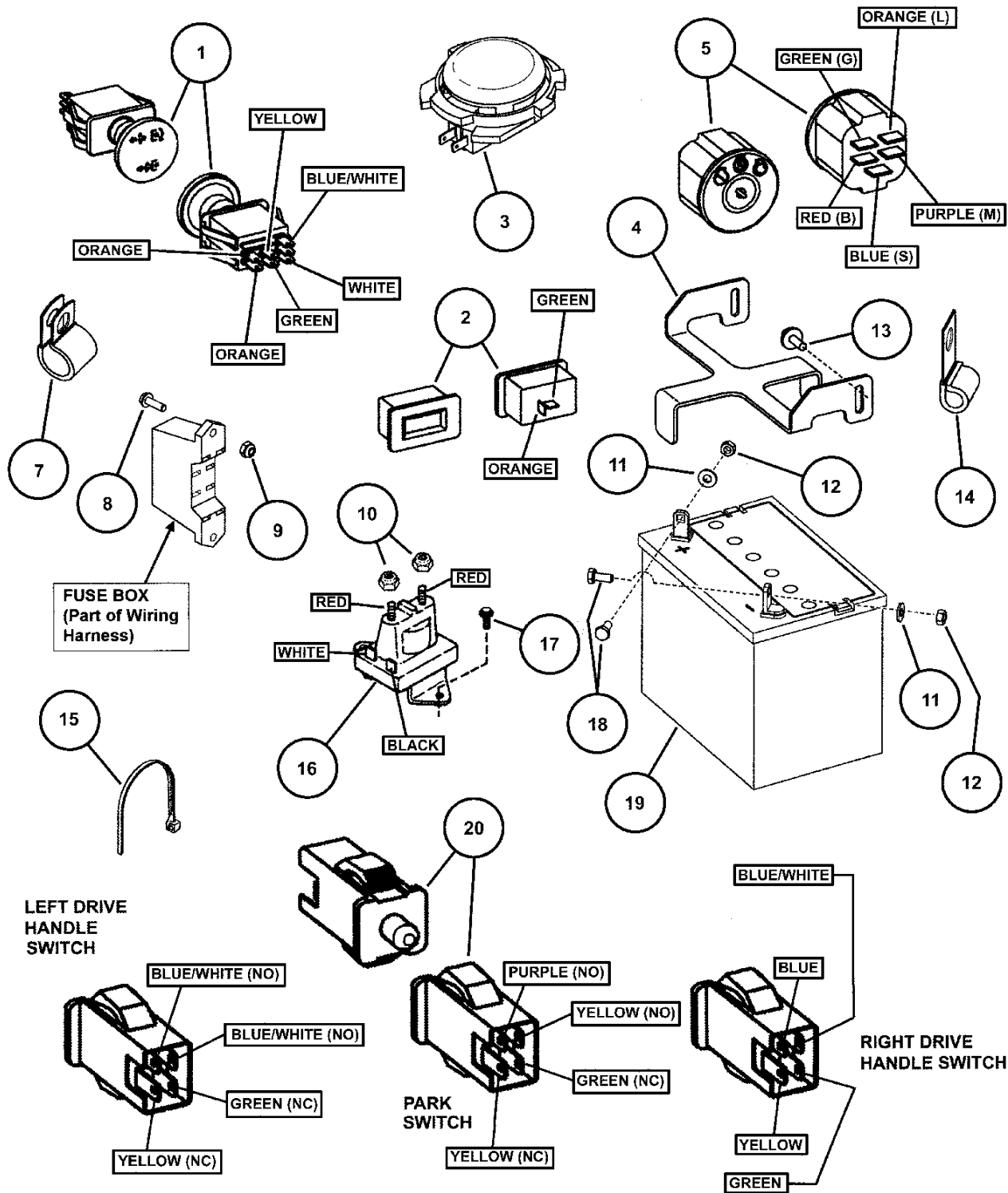


CONTROL PANEL ASSEMBLY

Item	Part No	Qty	Description	Note
1	7074676	1	CONTROL PANEL	
2	7074801	2	CONTROL LEVER, Throttle/Choke	
3	7074804	1	CONTROL CABLE, Throttle	
4	7075086	1	STRAP, Tether	
5	7075046	1	CONTROL CABLE, Choke	
6	7090361	9	SCREW, 5/16-18 x 5/8" Hex Washer Self-Tap	
7	7091240	2	SCREW, #10-32 x 5/8" Hex Washer Self-Tap	<i>Note: These items are also shown on the Electrical Components page.</i>
8	7090376	2	NUT, #10-32 Nyloc	<i>Note: These items are also shown on the Electrical Components page.</i>
9	7075132	1	SWITCH, PTO, Yellow	<i>Note: These items are also shown on the Electrical Components page.</i>
10	7072684	1	SWITCH, Ignition	<i>Note: These items are also shown on the Electrical Components page.</i>
11	7074796	1	HOUR METER w/Flash Alerts	<i>Note: These items are also shown on the Electrical Components page.</i>
12	7300225	1	CHOKE PLATE, Kohler	

Footnotes:

ELECTRICAL COMPONENTS

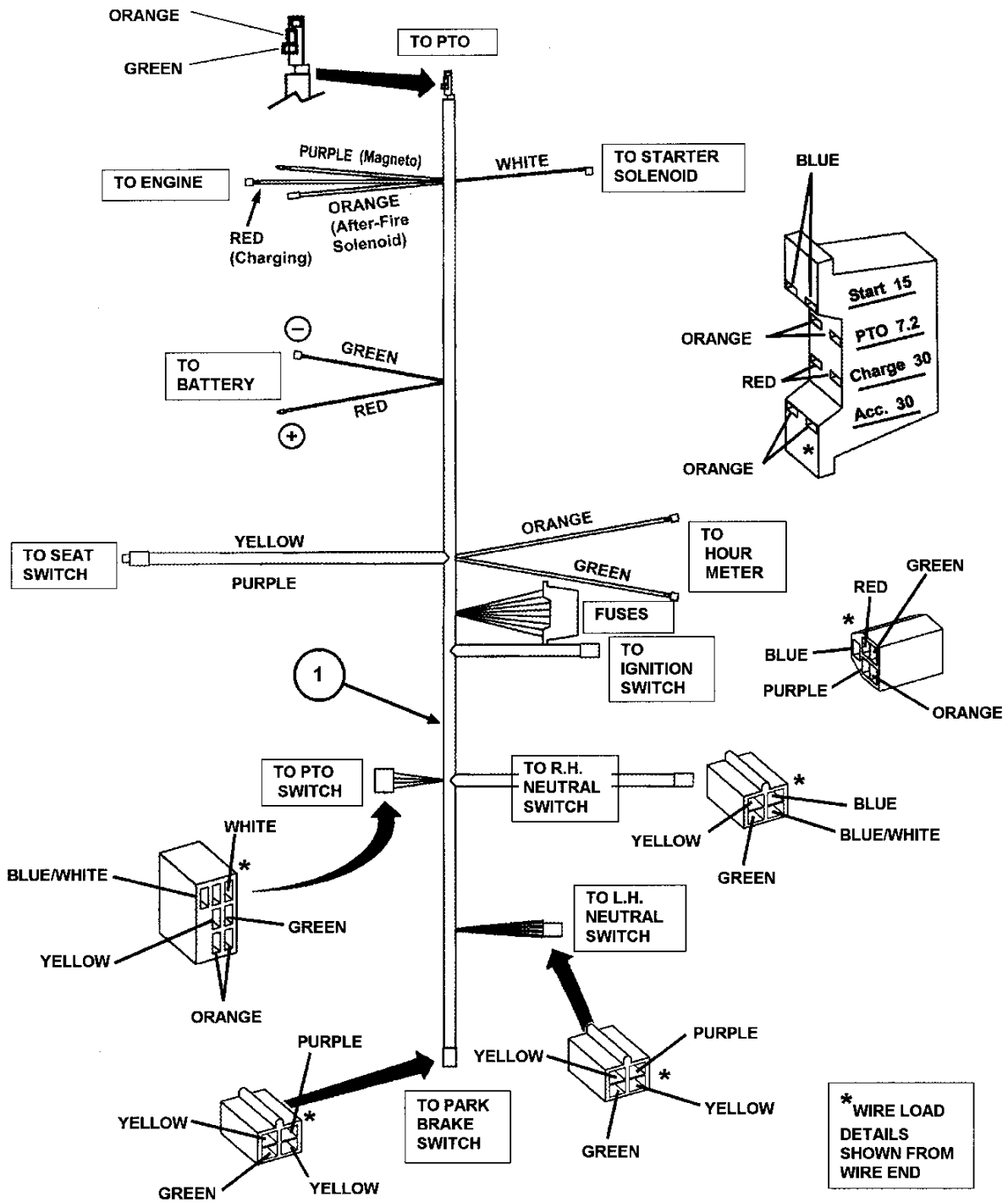


ELECTRICAL COMPONENTS

Item	Part No	Qty	Description	Note
1	7075132	1	SWITCH, PTO, Yellow	<i>also shown on CONTROL PANEL ASSEMBLY page</i>
2	7074796	1	HOUR METER w/Flash Alerts	<i>Sendec Corp. Model No. 804-204 (also shown on CONTROL PANEL page)</i>
3	7023354	1	SWITCH, Seat, NC	<i>also shown on SEAT ASSEMBLY page</i>
4	7074809	1	BRACKET, Battery Hold-Down	
5	7072684	1	SWITCH, Ignition	
6	7073406	1	KEY SET (not shown)	<i>qty. 2 keys per set</i>
7	7015861	1	CLIP, Harness	
8	7091240	2	SCREW, #10-32 x 5/8" Hex Washer Self-Tap	
9	7090376	2	NUT, #10-32 Hex Nyloc	
10	7091603	3	NUT, 1/4-20 Hex Nyloc	
11	7091294	2	WASHER, 1/4" Flat	
12	7090372	2	NUT, 1/4-20 Hex Center Lock	
13	7090741	1	SCREW, 1/4-20 x 5/8" Hex Head Self-Tap	<i>or 7091016 (w/loose washer)</i>
14	7035638	1	CLIP, Open 3/8" Cushioned	<i>shown on Rear Frame & Tank Bracket page & Seat Assembly page</i>
15	7012080	15	CABLE TIE, 7" Long (not shown)	
16	7075622	1	SOLENOID, Super Trombetta	<i>vendor p/n 762-1221-210 (used on Kawasaki only)</i>
17	7090539	2	SCREW, 1/4-20 x 1/2" Hex Washer Self-Tap	<i>or 7091122</i>
18	7090072	2	SCREW, 1/4-20 x 5/8" Hex Head Cap GR 5	
19	7075911	1	BATTERY, 11 Plate 375CCA- Wet	
20	7022886	3	SWITCH, DP NO/NC Snap-In	

Footnotes:

WIRING HARNESS (Kawasaki Engines)

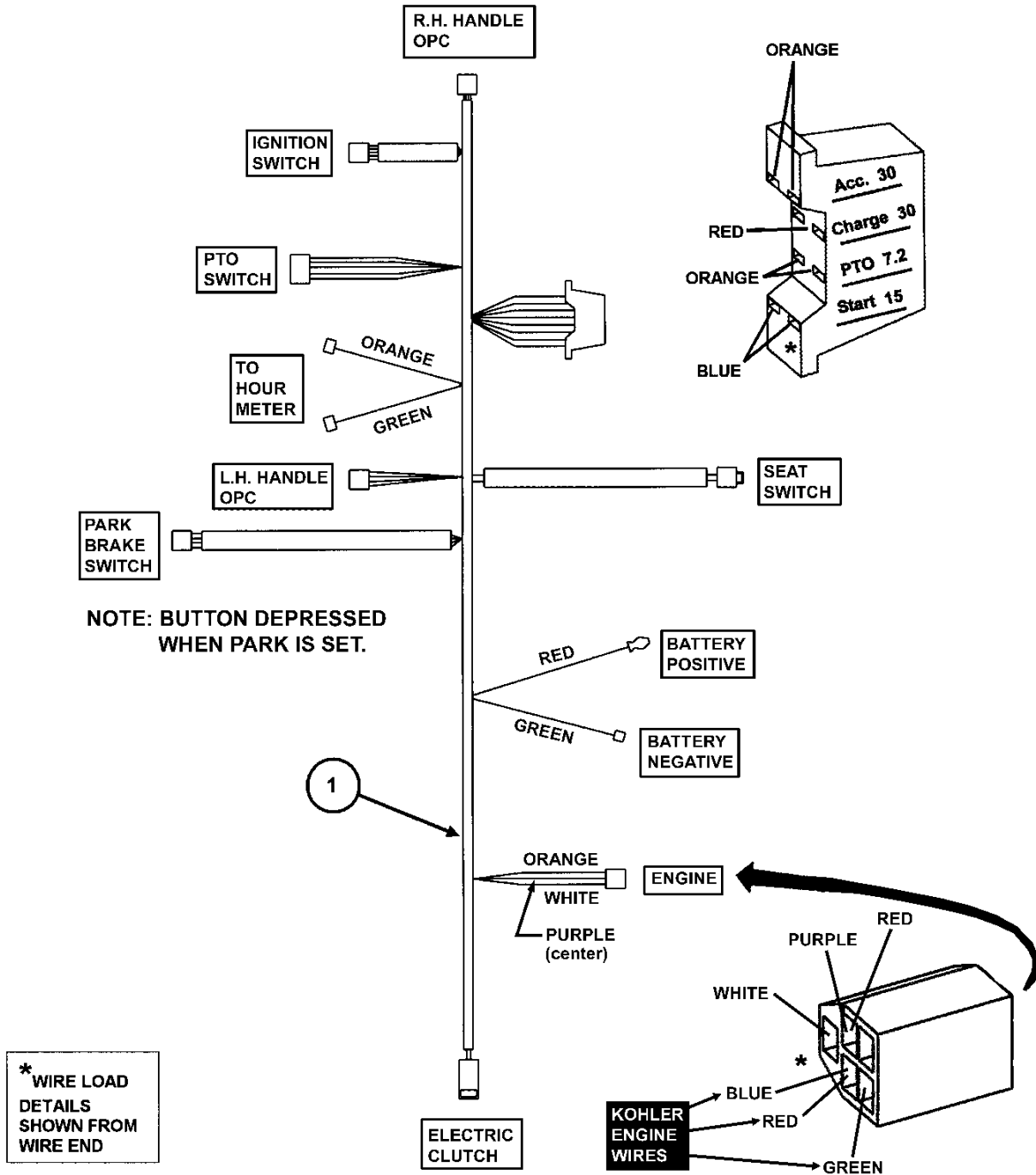


WIRING HARNESS (Kawasaki Engines)

Item	Part No	Qty	Description	Note
1	7074795	1	HARNESS, Wiring	
2	7075038	1	CABLE, Battery- Positive (Red 6 Gage, 34" long)	<i>not shown</i>
3	7035609	1	CABLE, Battery- Ground (Black 6 Gage/14 Gage, 23" long)	<i>not shown</i>
4	7075602	1	CABLE, Solenoid to Starter (Red 6 Gage, 10" long)	<i>not shown</i>
5	7075091	1	WIRE, Solenoid- Ground (Black 10 Gage, 6-1/2" long)	<i>not shown</i>

Footnotes:

WIRING HARNESS (Kohler Engines)



WIRING HARNESS (Kohler Engines)

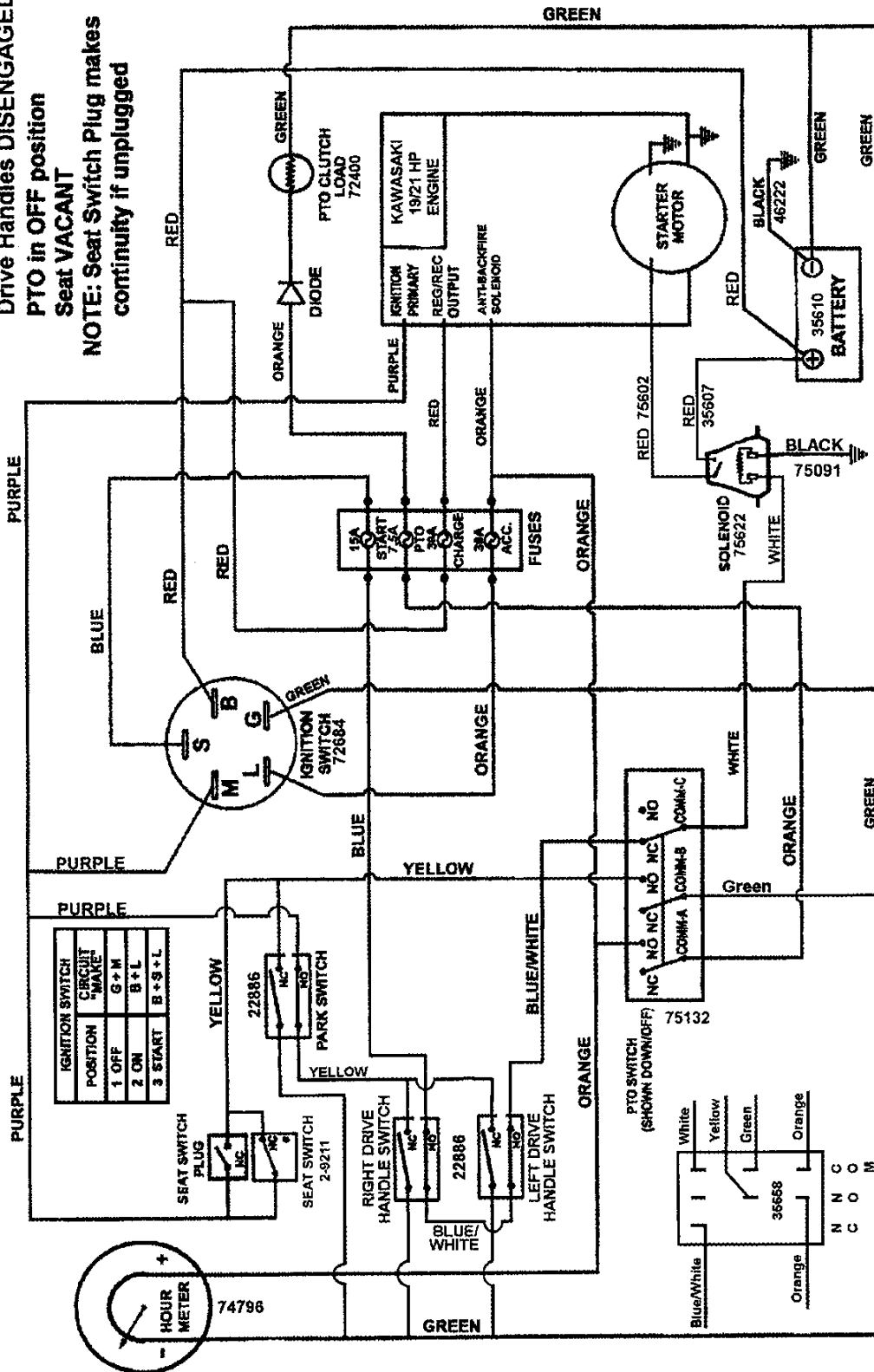
Item	Part No	Qty	Description	Note
1	7029337	1	WIRE HARNESS, Kohler/Twin	
2	7075038	1	CABLE, Battery- Positive (Red 6 Gage, 34" long)	<i>not shown</i>
3	7035609	1	CABLE, Battery- Ground (Black 6 Gage/14 Gage, 23" long)	<i>not shown</i>

Footnotes:

NOTES:

Shown with all switches in a safe starting position, if not in seat, Park Brake must be set, and PTO switch OFF. Both Drive Handles must be out to start. If either Drive Handle is put into drive before unsetting Park Brake the engine will die (you can't drive through Park).

NOTE: Switches shown with, Park Lever in PARK Drive Handles DISENGAGED PTO in OFF position Seat VACANT
NOTE: Seat Switch Plug makes continuity if unplugged



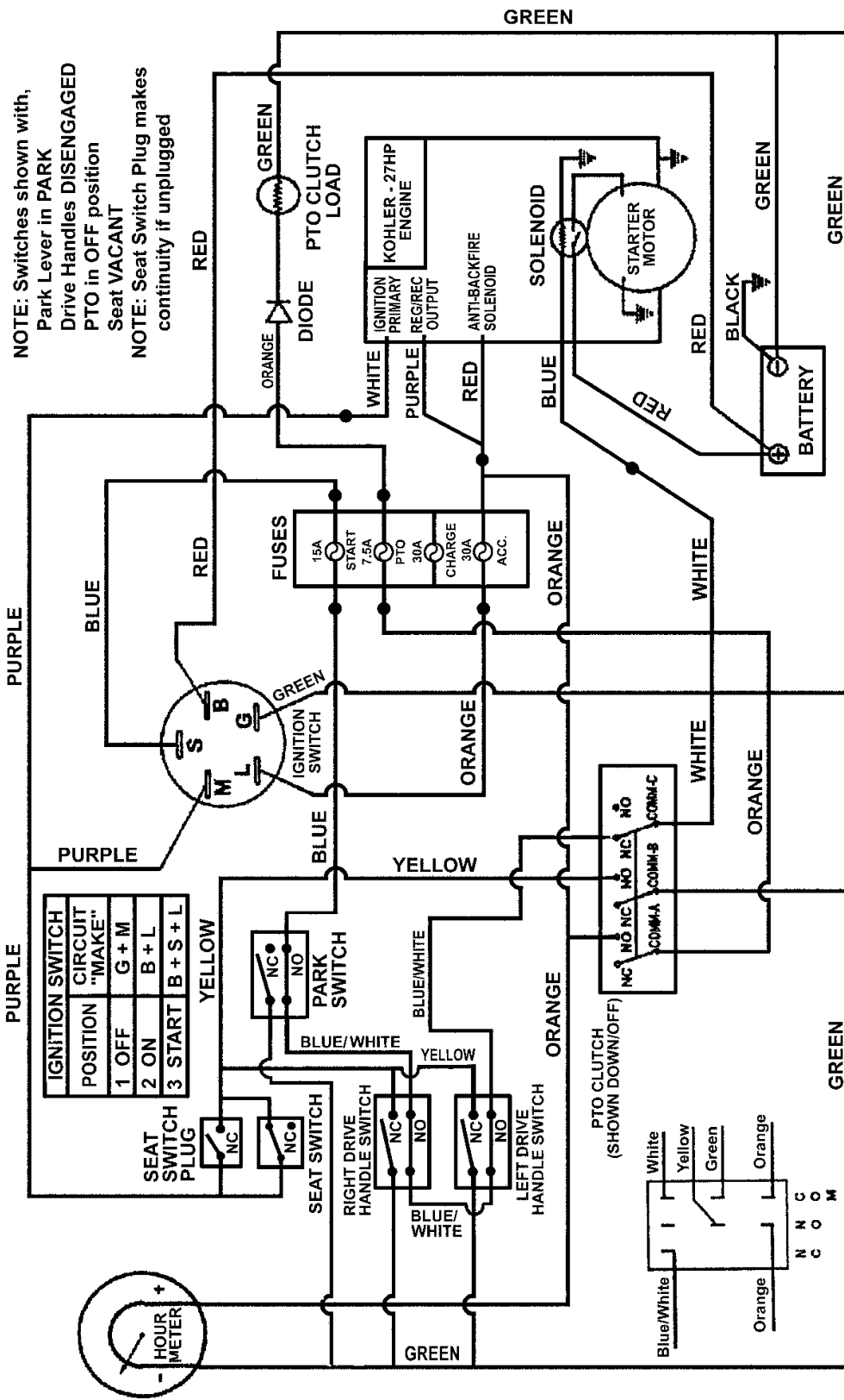
SCHEMATIC - WIRING HARNESS P.N. 74795

WIRING SCHEMATIC (Kawasaki Engines)

Item	Part No	Qty	Description	Note
1	7074795	1	HARNESS, Wiring	

Footnotes:

WIRING SCHEMATIC (Kohler Engines)



SCHEMATIC - WIRING HARNESS P.N. 29337

WIRING SCHEMATIC (Kohler Engines)

Item	Part No	Qty	Description	Note
1	7029337	1	HARNESS, Wiring, Kohler/Twin	

Footnotes:

Parts Manual for

SNAPPER®

MID-MOUNT Z-RIDER ZERO TURNING HYDRO DRIVE NZM SERIES 3

IT IS THE POLICY OF BRIGGS & STRATTON CORP TO IMPROVE ITS
PRODUCTS WHENEVER IT IS POSSIBLE AND PRACTICAL TO DO SO.
WE RESERVE THE RIGHT TO MAKE CHANGES OR ADD
IMPROVEMENTS AT ANY TIME WITHOUT INCURRING ANY
OBLIGATION TO MAKE SUCH CHANGES ON PRODUCTS

Briggs & Stratton Yard Power Products Group

535 Macon Road
McDonough, GA, 30253 U.S.A.
800-935-2967

www.snapper.com

Copyright © 2008 Briggs & Stratton Corporation
Milwaukee, WI USA. All Rights Reserved

Manual No. 7006939

Revision A, 5/6/2008

TP 400-5218-A-NZ-N