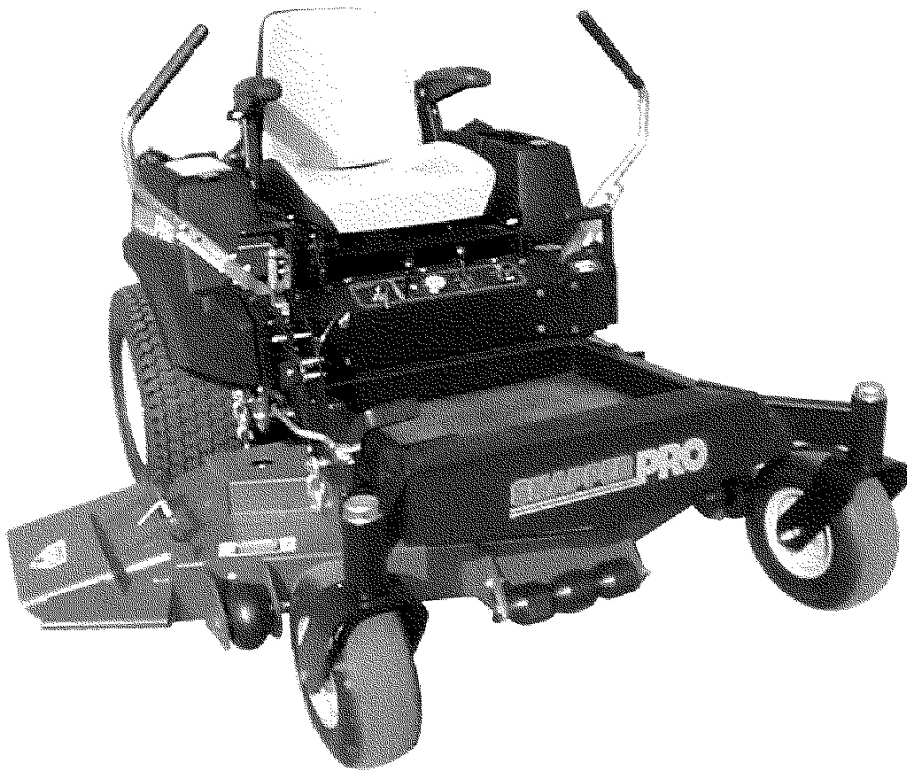


Parts Manual for

SNAPPER®

MID MOUNT Z-RIDER ZERO TURNING HYDRO DRIVE SERIES 2

<i>Model No.</i>	<i>Description</i>
85673	NZM19482KWV
85674	NZM21522KWV
85675	NZM25612KWV
85676	NZM27612KH



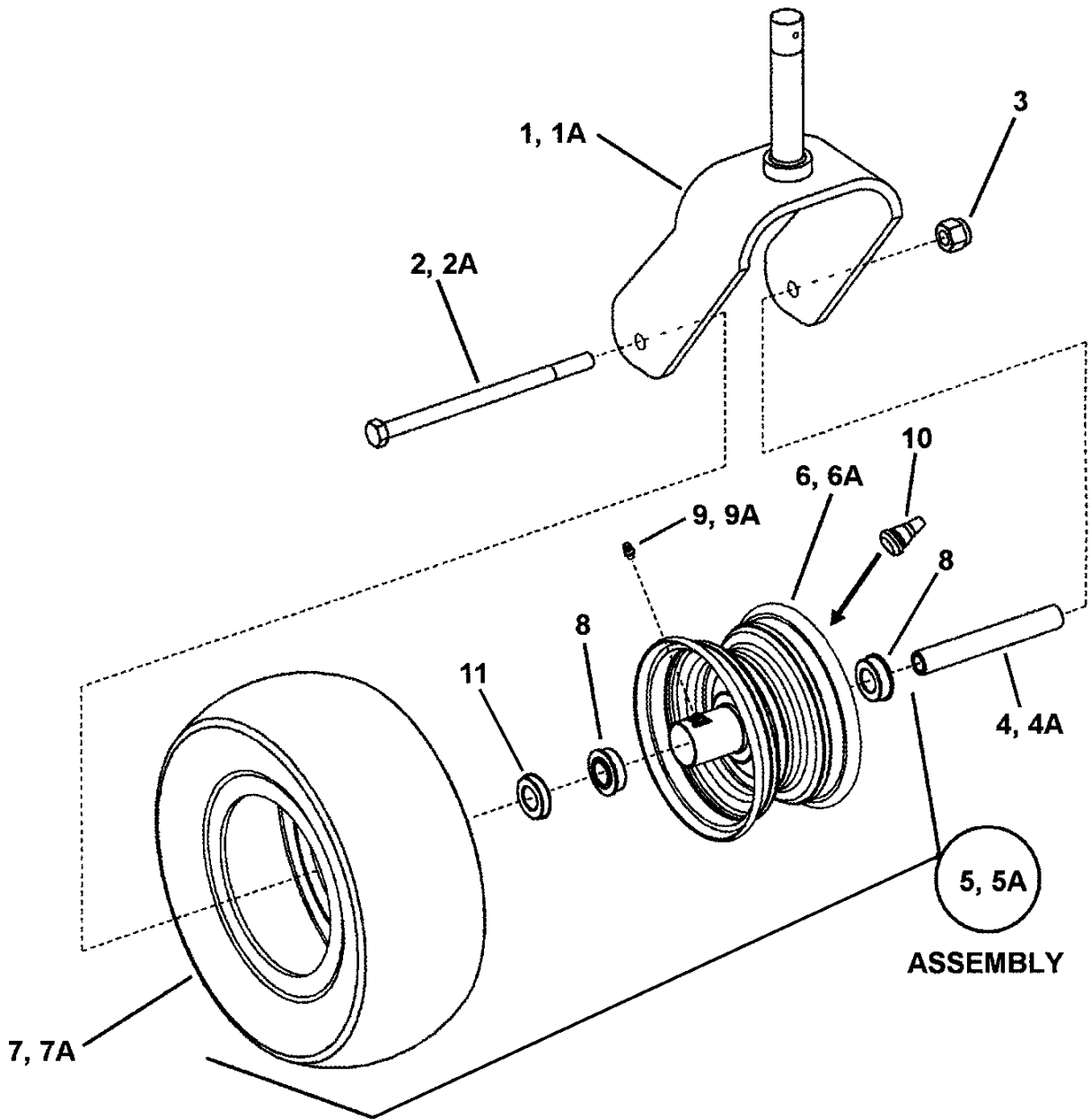
Briggs & Stratton Yard Power Products Group

535 Macon Road
McDonough, GA, 30253 U.S.A.
800-935-2967

Manual No. 7006934
Revision: D 9/17/2013

PAGE	GROUP
4	CASTER WHEEL ASSEMBLY
6	DRIVE TIRE & WHEEL ASSEMBLY
8	FRONT FRAME ASSEMBLY PT.1
10	FRONT FRAME ASSEMBLY PT.2
12	REAR FRAME & TANK BRACKETS
14	FUEL TANK ASSEMBLY
16	TWIN STICK CONTROL ASSEMBLY (R.H.)
18	TWIN STICK CONTROL ASSEMBLY (L.H.)
20	PARKING BRAKE ASSEMBLY (Early Production)
22	PARKING BRAKE ASSEMBLY (Late Production)
24	HYDRO PUMP ASSEMBLIES
26	HYDRO PUMP LINKAGE
28	HOSE ASSEMBLY (48" & 52" DECK) PT.1
30	HOSE ASSEMBLY (48" & 52" DECK) PT.2
32	HOSE ASSEMBLY (61" DECK) PT.1
34	HOSE ASSEMBLY (61" DECK) PT.2
36	HYDRO RESERVOIR ASSEMBLY
38	HYDRO IDLER ASSEMBLY
40	ENGINE SUB-ASSEMBLY
42	SEAT ASSEMBLY
44	MUFFLER GUARD ASSEMBLY
46	48" CUTTING DECK ASSEMBLY PT.1
48	48" CUTTING DECK ASSEMBLY PT.2
50	52" CUTTING DECK ASSEMBLY PT.1
52	52" CUTTING DECK ASSEMBLY PT.2
54	61" CUTTING DECK ASSEMBLY PT.1
56	61" CUTTING DECK ASSEMBLY PT.2
58	IDLER ASSEMBLIES (58885)
60	DECK SPINDLE ASSEMBLIES
62	DECALS
64	DECALS (continued)
66	CONTROL PANEL ASSEMBLY
68	ELECTRICAL COMPONENTS (except wiring) PT.1
70	ELECTRICAL COMPONENTS (except wiring) PT.2
72	WIRING HARNESS (Kawasaki Engines)
74	WIRING HARNESS (Kohler Engines)
76	WIRING SCHEMATIC (Kawasaki Engines)
78	WIRING SCHEMATIC (Kohler Engines)

CASTER WHEEL ASSEMBLY

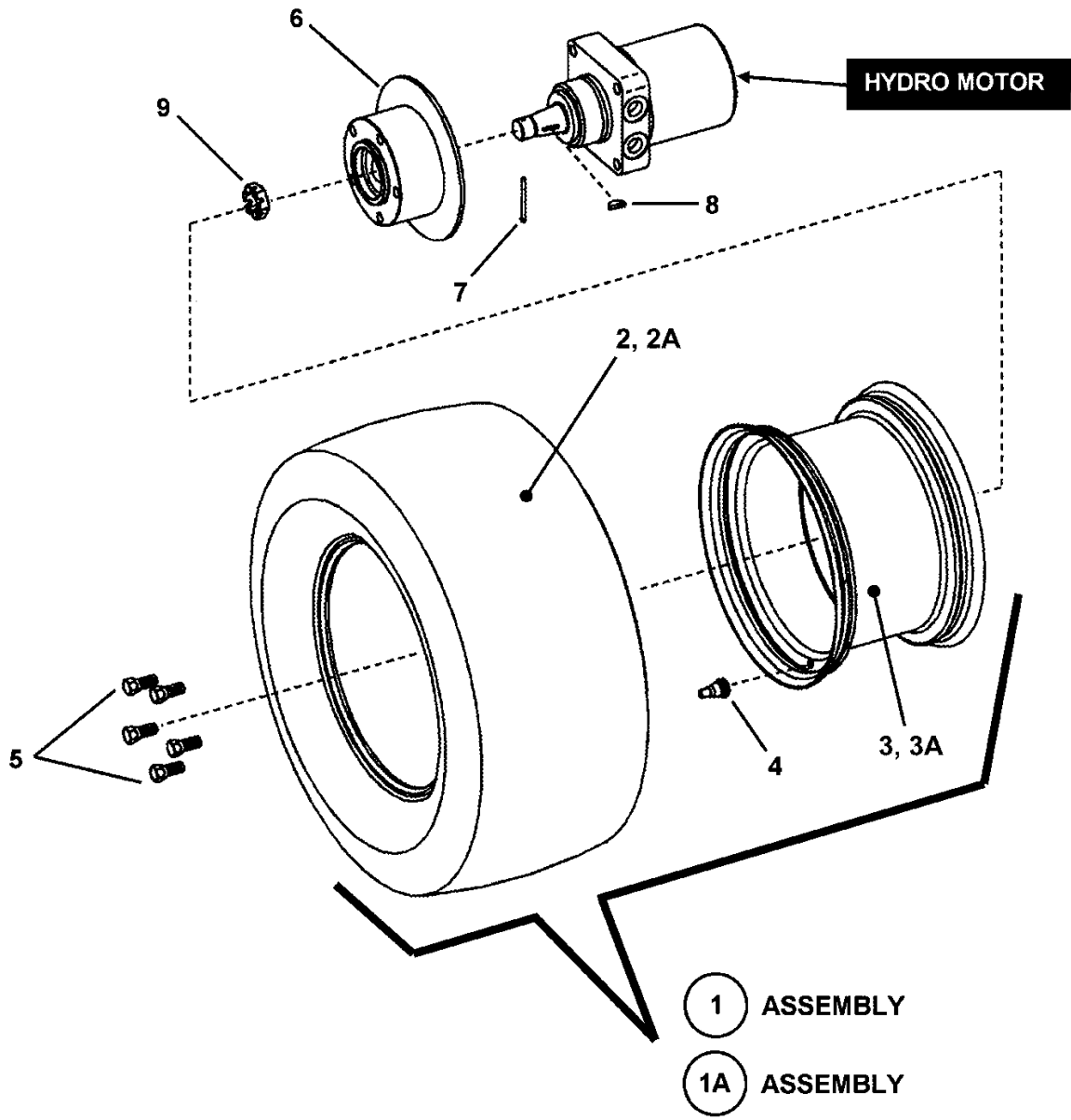


CASTER WHEEL ASSEMBLY

Item	Part No	Qty	Description
1	7058744	1	WELDMENT, Caster Yoke
1A	7075398	2	WELDMENT, Caster Yoke, 7-1/4" Wide used on 61" Deck Model only
2	7091773	2	SCREW, 1/2-13 x 7" Hex Head Cap, GR 5
2A	7092094	2	SCREW, 1/2-13 x 9-1/2" Hex Head Cap, GR 5 used on 61" Deck Model only
3	7091325	1	NUT, 1/2-13 Hex Nyloc
4	7035476	1	SPACER, Bearing, 5.29" Long
4A	7075462	1	SPACER, Bearing, 7.29" Long used on 61" Deck Model only
5	7026188	2	ASSY, Tire & Wheel 13 x 5.00-6 (Incl. item 6, 7, 8, 9 & 10) used on 48" & 52" Deck Models only
5A	7072795	2	ASSY, Tire & Wheel 13 x 6.50-6 (Incl. item 6A, 7A, 8, 9 & 10) used on 61" Deck Model only
6	7078285	1	WELDMENT, Wheel Hub & Rim 13 x 5.00-6 (gray) Was 72876
6A	7026188	1	WELDMENT, Wheel Hub & Rim 13 x 6.50-6 (gray) used on 61" Deck Model only
7	7078275	1	TIRE, 13 x 5.00-6 4 Ply Smooth
7A	7078277	1	TIRE, 13 x 6.50-6, 4PR Smooth
8	7028722	2	BALL BEARING, Heim .750 Heim Unibal # RF 12-22-14AP
9	7076998	1	FITTING, 1/4-28 Lube Was 12700, Tapered Head w/Ball Check
10	7012234	1	AIR VALVE STEM & Cap Goodyear # TR-412 or equivalent
11	7075883	1	SPACER

Footnotes:

DRIVE TIRE & WHEEL ASSEMBLY

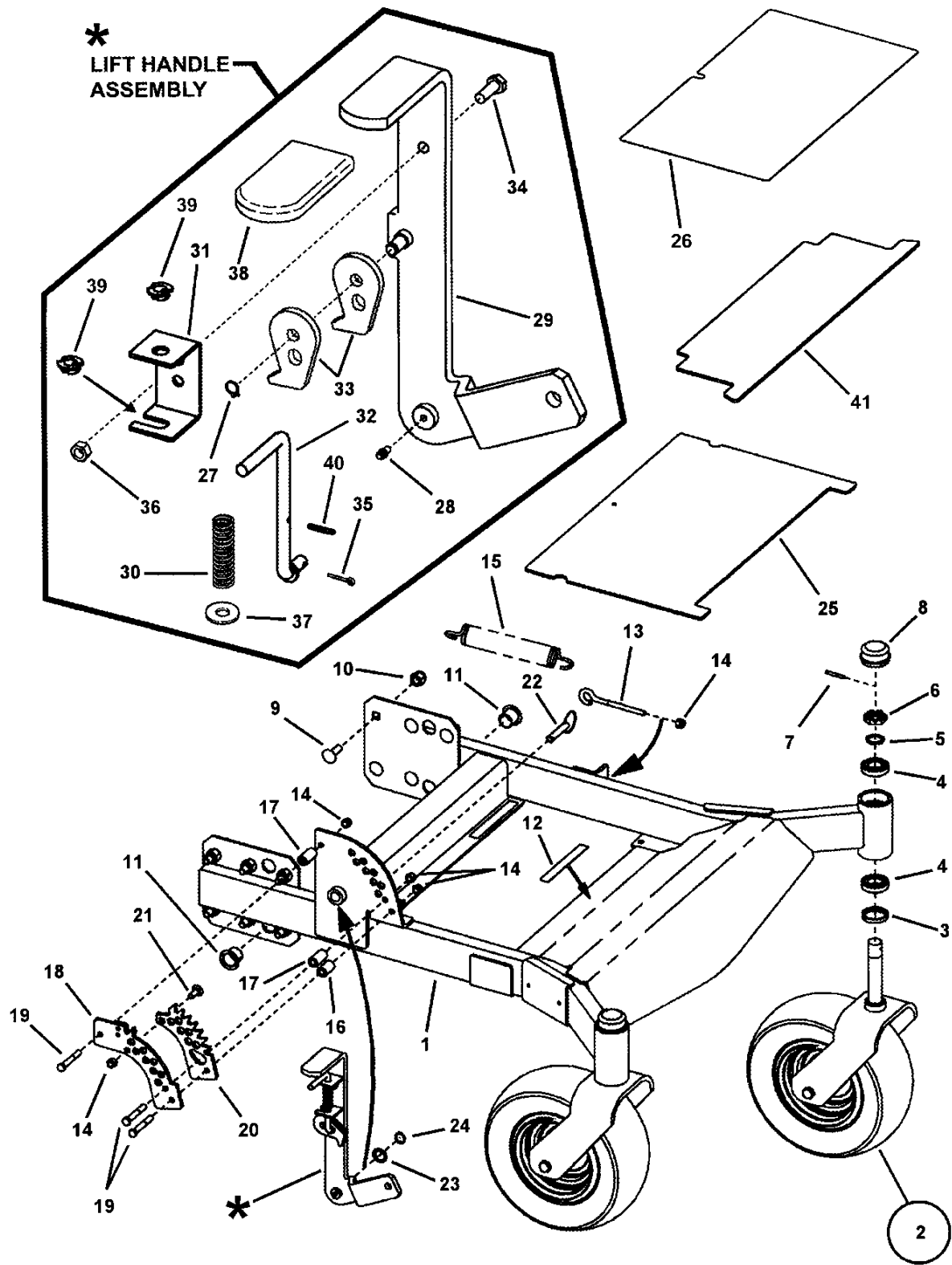


DRIVE TIRE & WHEEL ASSEMBLY

Item	Part No	Qty	Description
1	7072796	2	ASSY, Wheel 23 x 10.50-12 (Incl. items 2, 3 & 4) used on 48" & 52" Deck Models
1A	7072797	2	ASSY, Wheel 24 x 12-12 (Incl. items 2A, 3A & 4) used on Series 61" Deck Models
2	7074157	1	TIRE, 23X10.5-12 KENDA SUP-TURF
2A	7075478	1	TIRE, 24x12-12 KENDA SUP-TURF
3	7073568	1	RIM, 12 x 7.00 5/4.5
3A	7075474	1	RIM, 12 x 7.00 5/4.5 Turf Master
4	7012234	1	VALVE STEM & Cap
5	7092073	10	LUG BOLT, 1/2-20 UNF x 7/8"
6	7071819	2	DRUM, BRAKE/WHEEL, AUSCO (lip on back) used only with 71820 Disc Brake (Ref: Late Production Park Brake Group)
--	7074179	2	DRUM, BRAKE/WHEEL, HAYES (no lip on back) used only with 59176 & 59181 Disc Brakes (Ref: Early Production Park Brake Group)
7	7091793		PIN, 9/64 x 1-1/2" Cotter included as part of wheel motor
8	7013861		KEY, 3/16 x 7/8" Woodruff included as part of wheel motor
9	7091828		NUT, 3/4-20 Slotted Hex included as part of wheel motor

Footnotes:

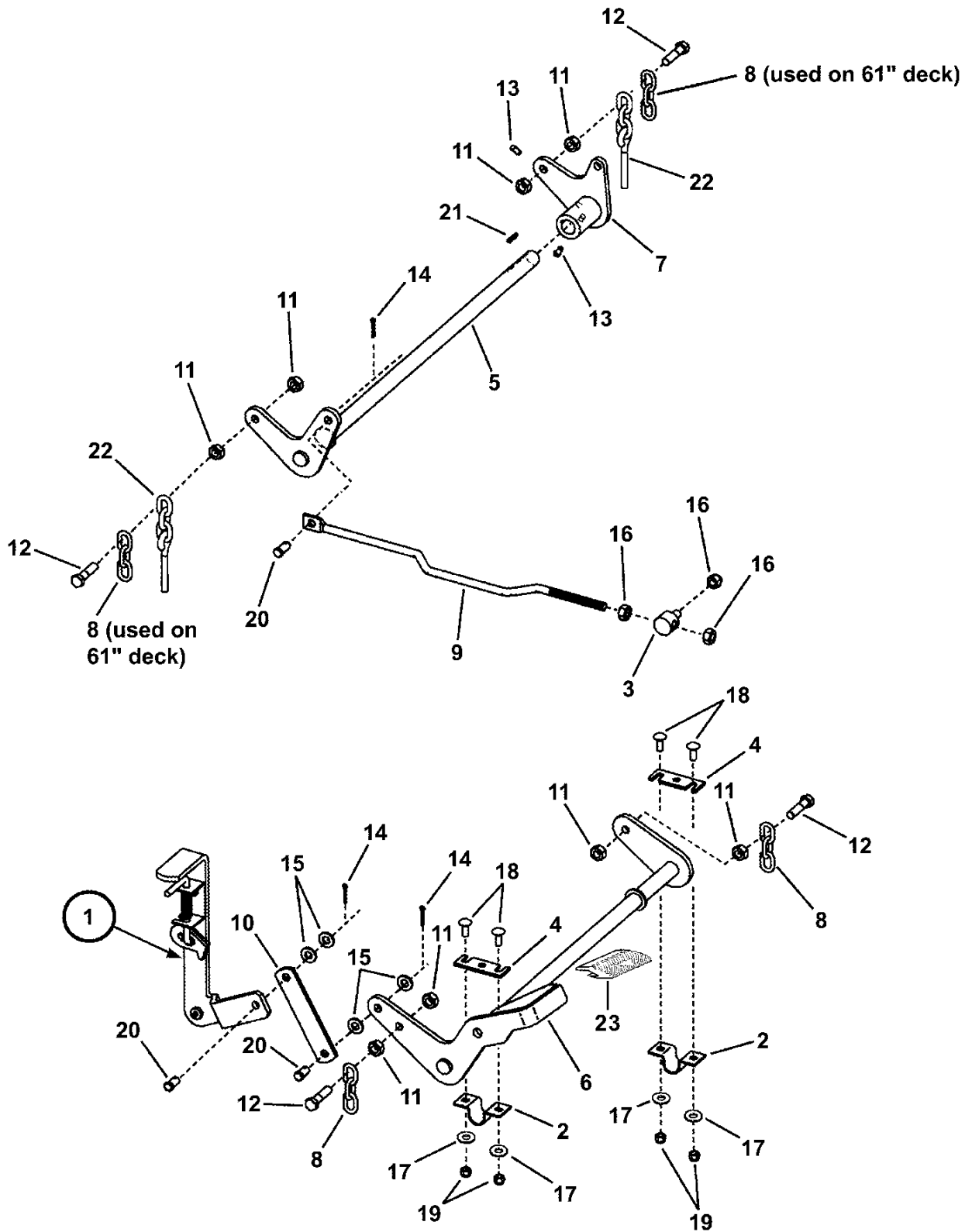
FRONT FRAME ASSEMBLY PT.1



Item	Part No	Qty	Description
1	7044821	1	WELDMENT, Front Frame
2	--	2	GROUP, Front Wheel ref: Caster Wheel Assembly Page
3	7074723	2	GREASE SEAL
4	7058554	4	BEARING, Tapered Roller 74706 (tapered roller brg.) & 74707 (inner race)
5	7029137	2	SPACER, Jackstaff
6	7092083	2	CASTLE NUT, 1-1/ UNF, GR B
7	7090841	2	ROLL PIN, 3/16 x 1-1/2"
8	7074537	2	CAP, Dust
9	7090768	12	BOLT, 1/2-13 x 1-1/2" Square Neck Carriage Grade 5
10	7091325	12	NUT, 1/2-13 Hex Nyloc
11	7073326	2	BUSHING, Teflon
12	7041818	3	PAD, Floor Pan
13	7044860	1	EYEBOLT, 3/8-16 x 3"
14	7091299	9	NUT, 3/8-16 Hex Nyloc
15	7035667	1	SPRING, Extension, Lift Assist
16	7074777	1	SPACER, Lift Adjust (1.08" Long)
17	7074580	2	SPACER, Lift Adjust (1.43" Long)
18	7058446	1	WELDMENT, Height Adjust
19	7091501	3	SCREW, 3/8-16 x 2-1/2" Hex Head Cap, GR 5
20	7074657	1	BRACKET, Deck Lift Detent
21	7091640	1	BOLT, 3/8-16 x 1" Square Neck Carriage GR 5
22	7074716	1	CLIP, Roll Pin, 1/2"
23	7010935	1	WASHER, .77 I.D. Flat
24	7010746	1	RING, 3/4" External Retaining
25	7074776	1	FLOORPAN
26	7075028	1	MAT, Floor Pan
27	7012313	1	RING, .375" Diameter External Retaining
28	7014669	1	LUBE FITTING, 3/16" or 76998, 1/4-28 Straight Lube Fitting
29	7058901	1	WELDMENT, Deck Lift Handle
30	7072450	1	SPRING, Neutral Return
31	7074531	1	BRACKET, Handle Support
32	7074532	1	ROD, Latch
33	7074533	2	STOP, Latch
34	7090209	2	SCREW, 5/16-18 x 1" Hex Head Cap, GR 2
35	7091597	1	PIN, 3/32 x 1/2" Cotter Was 90555 or 91597
36	7091575	2	NUT, 5/16-18 Hex Center Lock Was 91067
37	7090122	1	WASHER, 3/8" Flat SAE
38	7075330	1	COVER, Plastic
39	7012117	1	BUSHING, 3/8 Plastic
40	7076986	1	ROLLPIN, 1/8 x 7/8"
41	7075027	1	MAT, Footpan

Footnotes:

FRONT FRAME ASSEMBLY PT.2

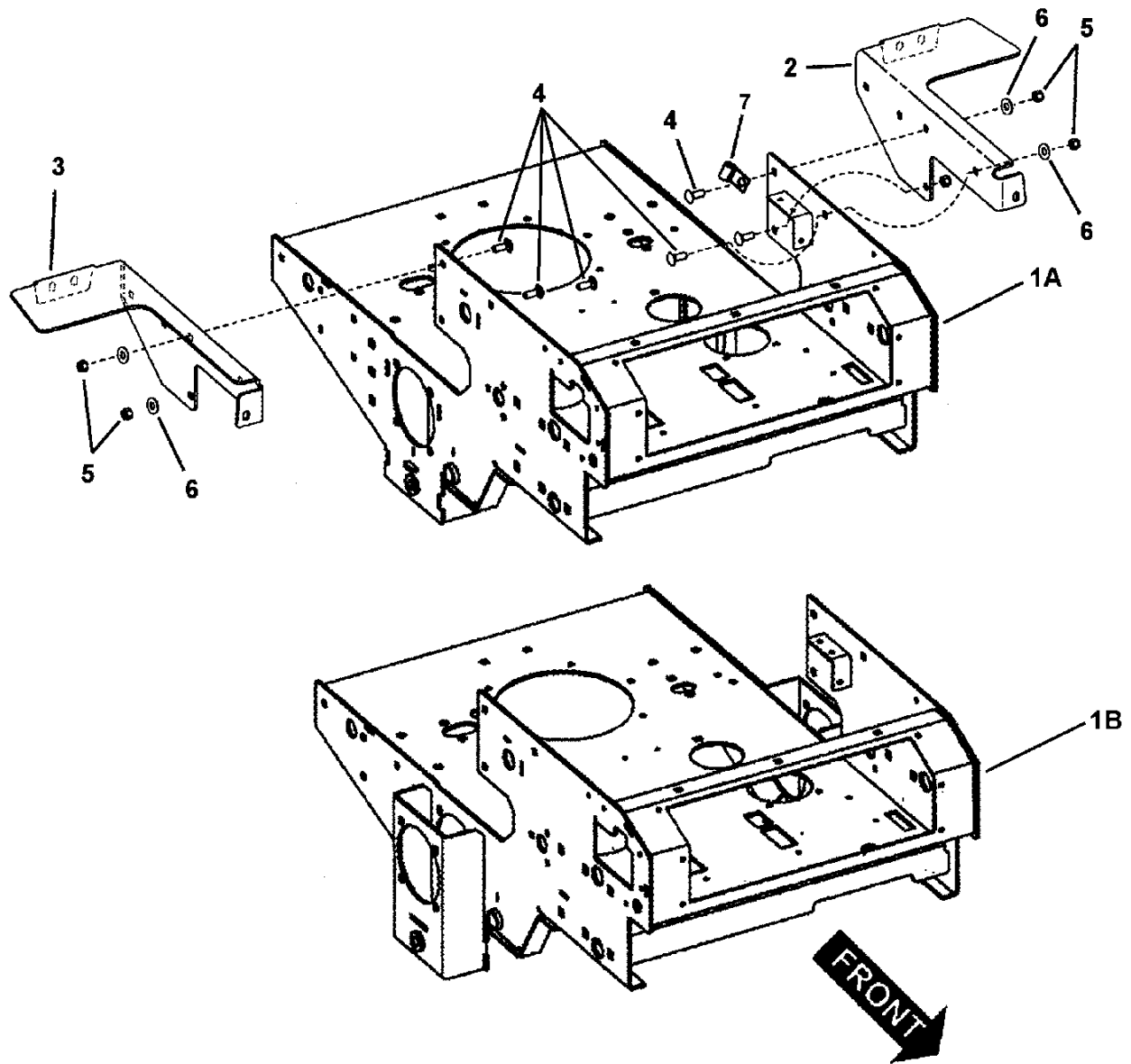


FRONT FRAME ASSEMBLY PT.2

Item	Part No	Qty	Description
1	--		ASSEMBLY, Deck Lift Handle (Not a Part Sale Item)
2	7043803	2	BRACKET, Deck Support
3	7044858	1	SWIVEL, Timing Rod (1/2-13 External Thread)
4	7044870	2	SHIM PLATE
5	7058148	1	WELDMENT, Rear Lift
6	7058181	1	WELDMENT, Front Deck Lift
7	7058182	1	WELDMENT, Bellcrank Lift
8	7059173	--	CHAIN, 3 Links qty. 2 on 52" deck; 4 on 61" deck
9	7074579	1	ROD, Timing (1/2-13 Thread)
10	7074698	1	LINK, Front
11	7091544	10	NUT, 1/2-13 Hex Flange Lock GR 5
12	7090543	4	SCREW, 1/2-13 x 2" Hex Head Cap, GR 5
13	7090848	2	SET SCREW, 5/16-18 Square Head Cup Point
14	7091516	3	PIN, 5/32 x 1" Cotter
15	7091587	4	WASHER, .531 I.D. Flat
16	7091894	3	NUT, 1/2-13 Hex Center Lock, GR 5
17	7090188	7	WASHER, 5/16" Flat
18	7091303	4	BOLT, 5/16-18 x 1" Short Neck Carriage, GR 5
19	7091298	4	NUT, 5/16-18 Hex Nyloc
20	7012802	3	PIN, 1/2 x 1-1/8" Clevis
21	7091803	1	KEY, 3/16" Square x 1-1/2"
22	7053562	2	ASSEMBLY, Chain & Eyebolt used on 48" & 52" Deck Model only
23	1715834	1	RUBBER, Foot Pedal Used on newer models

Footnotes:

REAR FRAME & TANK BRACKETS

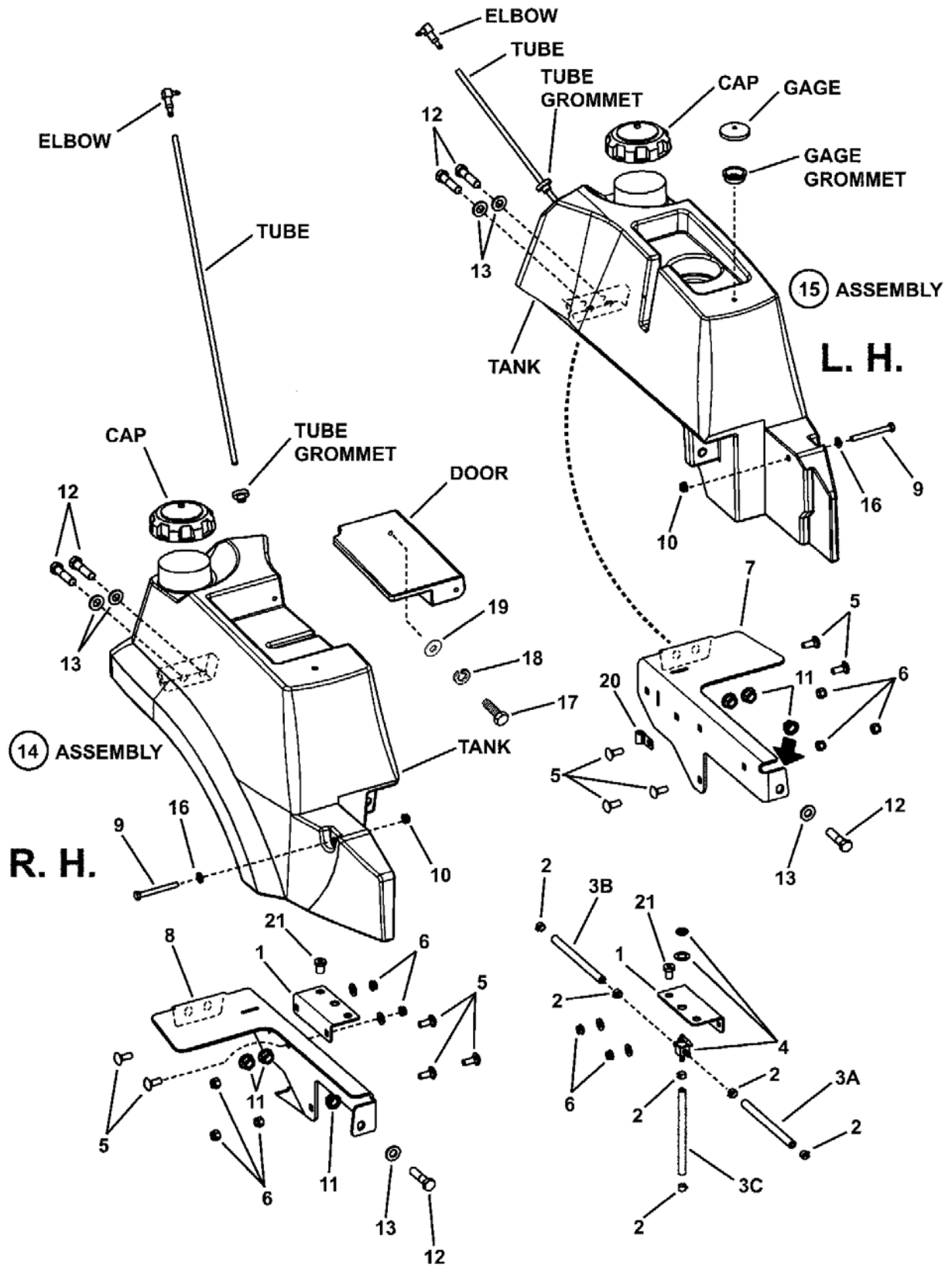


REAR FRAME & TANK BRACKETS

Item	Part No	Qty	Description
1A	7044846	1	WELDMENT, Rear Frame used on 48" & 52" Deck Models
1B	7044816	1	WELDMENT, Rear Frame used on Series 61" Deck Models
2	7053476	1	WELDMENT, L.H. Tank Bracket also shown on Fuel Tank Assembly page
3	7053518	1	WELDMENT, R.H. Tank Bracket also shown on Fuel Tank Assembly page
4	7091640	10	BOLT, 3/8-16 x 1" Square Neck Carriage, GR 5 also shown on Fuel Tank Assembly page
5	7091299	10	NUT, 3/8-16 Hex Nyloc also shown on Fuel Tank Assembly page
6	7090122	4	WASHER, 3/8" SAE Flat
7	7035638	4	CLIP, Open 3/8" Cushioned

Footnotes:

FUEL TANK ASSEMBLY



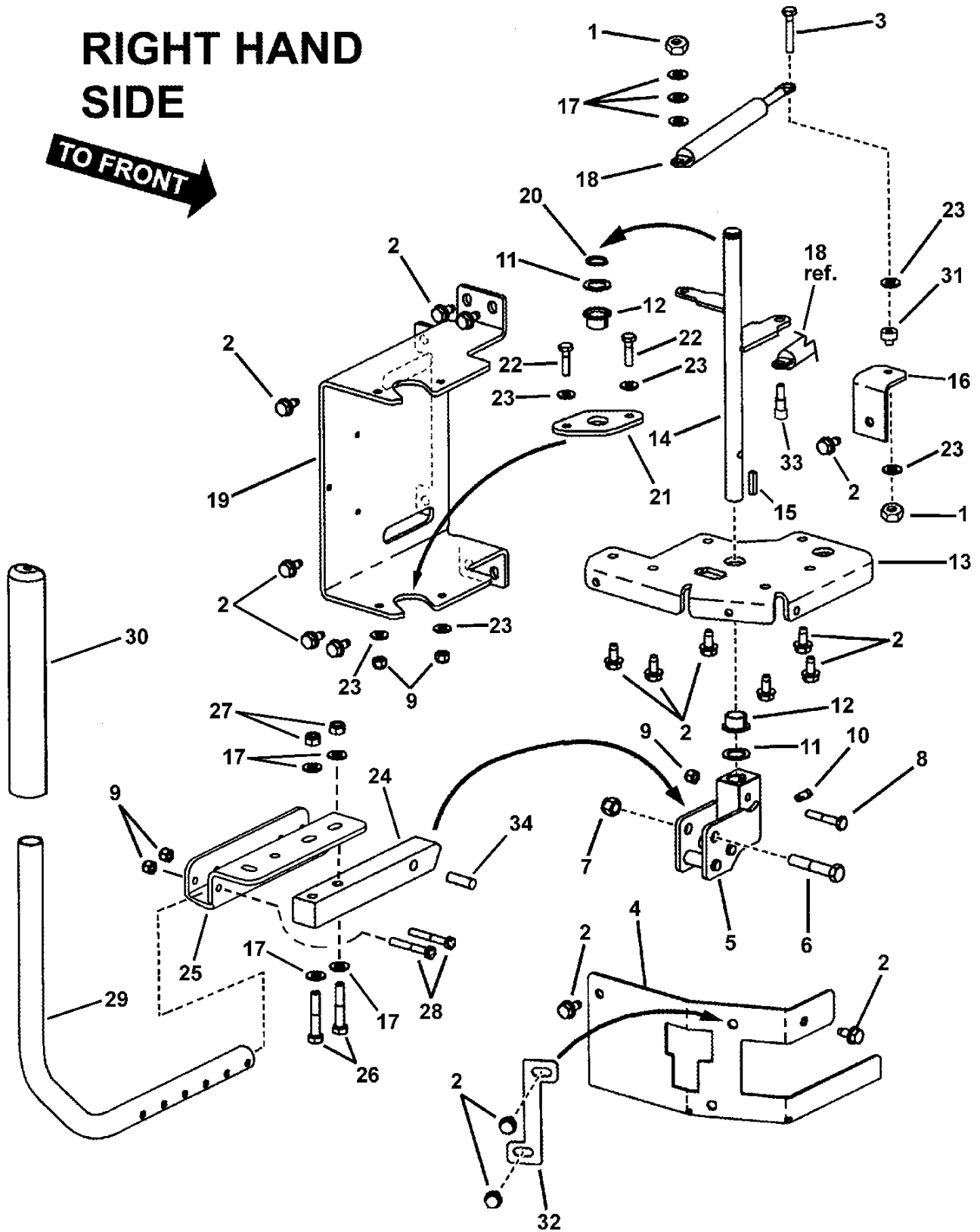
Item	Part No	Qty	Description
1	7074687	2	MOUNT, Auxiliary Fuel Valve
2	7029900	6	CLAMP, Fuel Hose Was 12222
3A	7074688	1	HOSE, 1/4" I.D. x 3'-7.5" Long Fuel (R.H.)
3B	7074689	1	HOSE, 1/4" I.D. x 1'-8" Long Fuel (L.H.)
3C	7074690	1	HOSE, 1/4" I.D. x 1' Long Fuel Kawasaki engines only
4	7044681	1	ASSEMBLY, 3-Way Fuel Valve
5	7091640	10	BOLT, 3/8-16 x 1" Square Neck Carriage, GR 5
6	7091299	10	NUT, 3/8-16 Hex Nyloc
7	7053476	1	WELDMENT, L.H. Tank Bracket
8	7053518	1	WELDMENT, R.H. Tank Bracket
9	7091830	2	SCREW, 5/16-18 x 3" Hex Head Cap, GR 5
10	7091298	2	NUT, 5/16-18 Hex Nyloc
11	7091917	6	NUT, 7/16-14 Hex Nyloc
12	7092089	6	SCREW, 7/16-14 x 2" Hex Head Cap, GR 5
13	7090250	12	WASHER, 1/2" Flat SAE
14	7024593	1	ASSEMBLY, RH Tank
15	7024669	1	ASSEMBLY, LH Tank
16	7090188	2	WASHER, 5/16" Flat
17	7090825	2	SCREW, 1/4-20 x 1-1/4" Hex Head Cap, GR 5
18	7027223	2	WASHER, 1/4" Split Lock
19	7091294	2	WASHER, 1/4" Flat
20	7035638	1	CLIP, Open 3/8" Cushioned
21	7091909	2	WELL-NUT, 1/4-20 x 53/64
22	7012080	5	CABLE TIE, 7" Long (not shown)

Footnotes:

24593 incl. tank (42925), cap (75135), elbow (74835), tube (46804), tube grommet (12337) & door (46324).

24669 incl. tank (42924), cap (75135), elbow (74835), tube (46804), tube grommet (12337), gage (76165) & gage grommet (11247).

RIGHT HAND SIDE

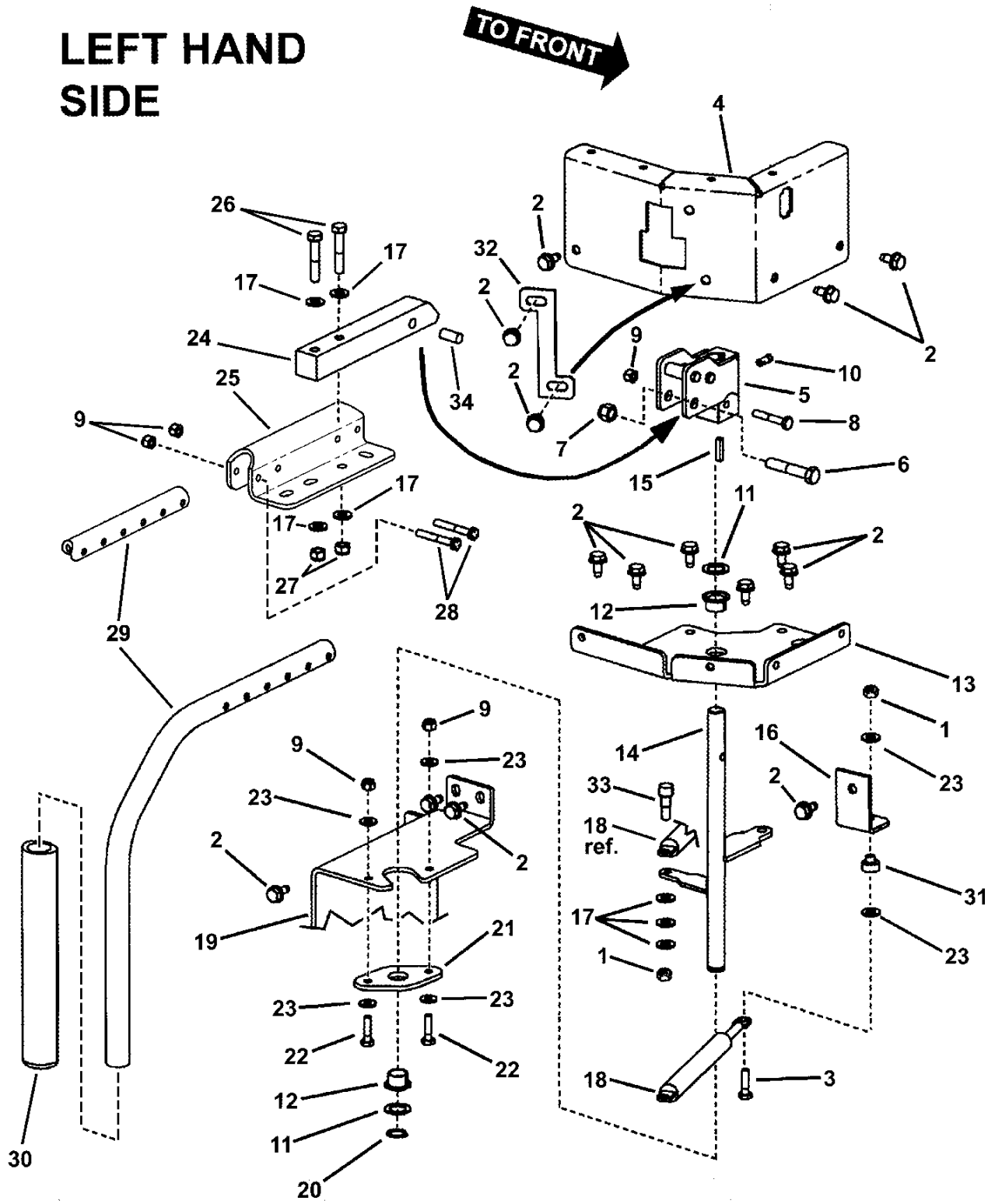


TWIN STICK CONTROL ASSEMBLY (R.H.)

Item	Part No	Qty	Description
1	7090372	2	NUT, 1/4-20 Hex Center Lock
2	7090361	18	SCREW, 5/16-18 x 5/8" Hex Washer Self-Tap
3	7091814	1	SCREW, 1/4-20 x 1-1/4" Hex Head Cap
4	7074669	1	LIMITER BRACKET, Right Hand
5	7059101	1	WELDMENT, Mounting Hub
6	7091305	1	SCREW, 3/8-16 x 2" Hex Head Cap GR 5 Was 90588 or 91305
7	7091299	1	NUT, 3/8-16 Hex Nyloc
8	7079577	1	SCREW, 1/4-20 x 1-1/2" Hex Head Cap GR 5
9	7091603	7	NUT, 1/4-20 Hex Nyloc
10	7092018	1	SET SCREW, 5/16-18 Square Head w/Patch
11	7091628	4	WASHER, .64 I.D. x .99 O.D. x .05 Flat
12	7072934	2	BUSHING, Teflon Impregnated
13	7074164	1	BUSHING MOUNT PLATE, Right Hand
14	7044982	1	WELDMENT, Cross Rod, RH
15	7074910	1	KEY, 3/16" Square x 7/8" Long
16	7074672	1	BRACKET, Dampener Frame
17	7090188	7	WASHER, 5/16" Flat
18	7075031	1	CYLINDER, Dampener
19	7075264	1	CHANNEL, Mounting replaces 74016
20	7010739	1	RING, 5/8" External Retaining
21	7073061	1	MOUNTING PLATE, Left Hand Bearing
22	7027230	2	SCREW, 1/4-20 x 1" Hex Head Cap GR 5 Was 90548 or 27230
23	7091294	6	WASHER, .28 I.D. x .63 O.D. x .06 Thick Flat
24	7074186	1	MOUNTING ARM
25	7071825	1	BRACKET, Handle Adjustment replaces 59117
26	7090669	2	SCREW, 5/16-18 x 1-3/4" Hex Head Cap, GR 5
27	7091298	2	NUT, 5/16-18 Hex Nyloc
28	7091813	2	SCREW, 1/4-20 x 1-3/4" Hex Head Cap, GR 5 Was 91003 or 91813
29	7074661	1	HANDLEBAR
30	7072212	1	GRIP, Twin Stick
31	7075026	1	SPACER
32	7074964	1	BRACKET, Speed Control
33	7092010	1	SCREW, 1/4-20 Shoulder Socket Head
34	7075029	1	SPACER, .498 O.D. x 1.010" long

Footnotes:

LEFT HAND SIDE

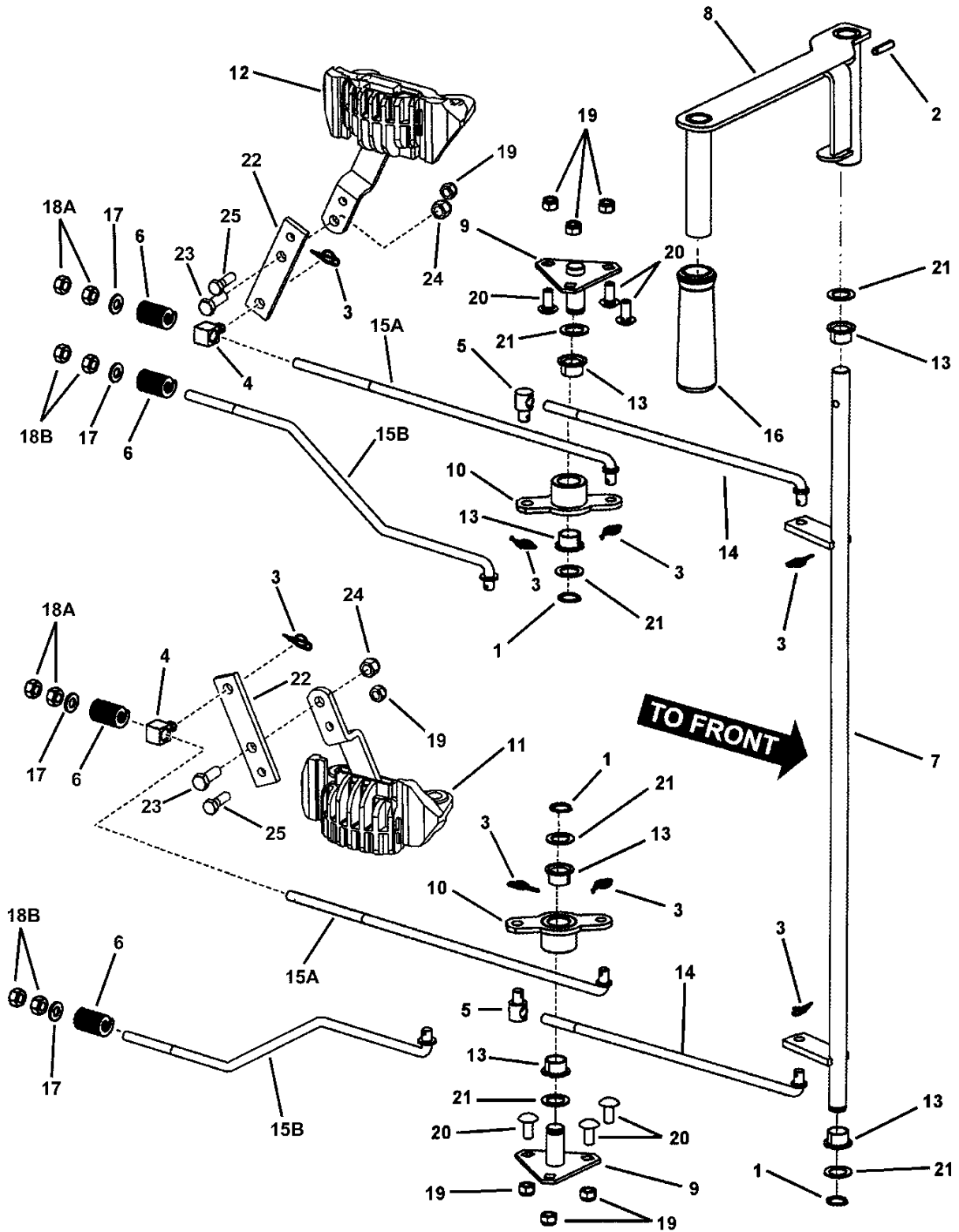


TWIN STICK CONTROL ASSEMBLY (L.H.)

Item	Part No	Qty	Description
1	7090372	2	NUT, 1/4-20 Hex Center Lock
2	7090361	4	SCREW, 5/16-18 x 5/8" Hex Washer Self-Tap
3	7091814	1	SCREW, 1/4-20 x 1-1/4" Hex Head Cap
4	7074668	1	LIMITER BRACKET, Left Hand
5	7059101	1	WELDMENT, Mounting Hub
6	7091305	1	SCREW, 3/8-16 x 2" Hex Head Cap GR 5 Was 90588 or 91305
7	7091299	1	NUT, 3/8-16 Hex Nyloc
8	7079577	1	SCREW, 1/4-20 x 1-1/2" Hex Head Cap GR 5
9	7091603	7	NUT, 1/4-20 Hex Nyloc
10	7092018	1	SET SCREW, 5/16-18 Square Head w/Patch
11	7091628	2	WASHER, .64 I.D. x .99 O.D. x .05 Flat
12	7072934	2	BUSHING, Teflon Impregnated
13	7074017	1	BUSHING MOUNT PLATE, Left Hand
14	7044983	1	WELDMENT, Cross Rod, LH
15	7074910	1	KEY, 3/16" Square x 7/8" Long
16	7074672	1	BRACKET, Dampener Frame
17	7090188	7	WASHER, 5/16" Flat
18	7075031	1	CYLINDER, Dampener
19	7075264	1	CHANNEL, Mounting replaces 74016
20	7010739	1	RING, 5/8" External Retaining
21	7073061	1	MOUNTING PLATE, Left Hand Bearing
22	7027230	2	SCREW, 1/4-20 x 1" Hex Head Cap GR 5 Was 90548 or 27230
23	7091294	6	WASHER, .28 I.D. x .63 O.D. x .06 Thick Flat
24	7074186	1	MOUNTING ARM
25	7071825	1	BRACKET, Handle Adjustment replaces 59117
26	7090669	2	SCREW, 5/16-18 x 1-3/4" Hex Head Cap, GR 5
27	7091298	2	NUT, 5/16-18 Hex Nyloc
28	7091813	2	SCREW, 1/4-20 x 1-3/4" Hex Head Cap, GR 5 Was 91003 or 91813
29	7074661	1	HANDLEBAR
30	7072212	1	GRIP, Twin Stick
31	7075026	1	SPACER
32	7074964	1	BRACKET, Speed Control
33	7092010	1	SCREW, 1/4-20 Shoulder Socket Head
34	7075029	1	SPACER, .498 O.D. x 1.010" long

Footnotes:

PARKING BRAKE ASSEMBLY (Early Production)

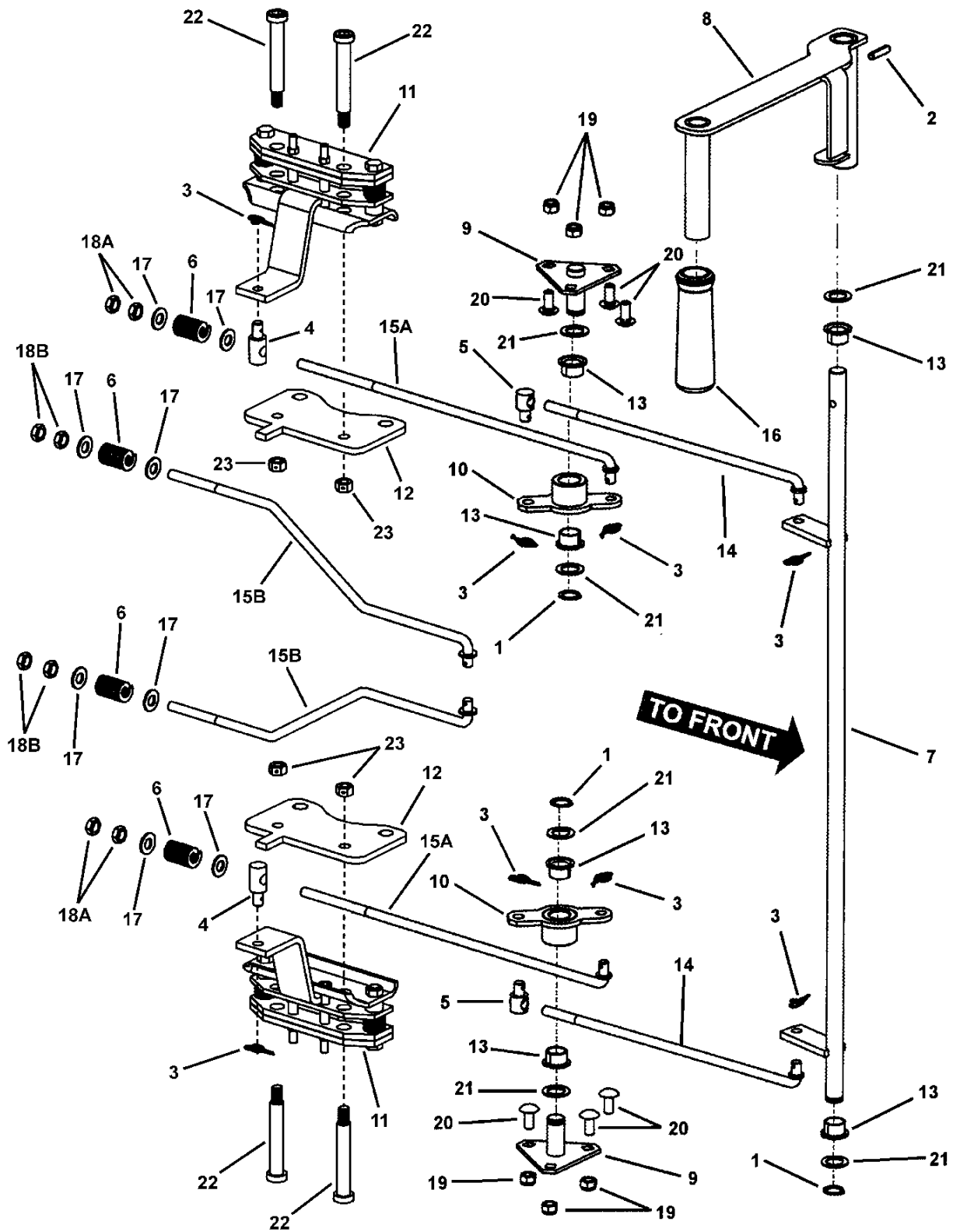


PARKING BRAKE ASSEMBLY (Early Production)

Item	Part No	Qty	Description
1	7010739	3	RING, 5/8" External Retaining
2	7092091	1	GROOVE PIN, 1/4 x 1-1/4" long
3	7091593	8	PIN, 3/8" Self Locking Cotter Was 24159
4	7011231	2	SWIVEL, 3/8" Thru Hole, Special or 24586
5	7046451	2	SWIVEL, 3/8-24 Adjustment
6	7046782	2	SPRING, Rectangular Wire Die, Blue
7	7059084	1	WELDMENT, Brake Rod Crossrod
8	7059085	1	WELDMENT, Park Brake Handle
9	7059086	2	WELDMENT, Brake Linkage Pivot
10	7059087	2	WELDMENT, Brake Linkage Bellcrank
11	7059176	1	PACKAGE, Right Hand Disc Brake used on Series 0 and Series 1 (early production only)
12	7059181	1	PACKAGE, Left Hand Disc Brake used on Series 0 and Series 1 (early production only)
13	7072934	6	BUSHING, Teflon Impregnated
14	7073989	2	FRONT LINKAGE, Park Brake (3/8-24 thread)
15A	7073990	2	REAR LINKAGE, Park Brake (3/8-24 thread) 48" & 52" Deck Models
15B	7072094	2	ROD, Brake Rear (3/8-16 thread) 61" Deck Models Only
16	7074196	1	GRIP, Parking Brake
17	7090122	2	WASHER, 3/8" SAE Flat
18A	7090482	4	NUT, 3/8-24, Hex Jam, GR 5 or B
18B	7090665	4	NUT, 3/8-16, Hex Jam, GR 5 or B
19	7091298	8	NUT, 5/16-18 Hex Nyloc
20	7091508	6	BOLT, 5/16-18 x 3/4" Short Neck Carriage, GR 5
21	7091628	6	WASHER, .64 I.D. x .99 O.D. x .05 Flat
22	7075465	2	EXTENSION, Brake Lever 61" Deck Models Only
23	7091304	2	SCREW, 3/8-16 x 1" Hex Head Cap, GR 5
24	7091299	2	NUT, 3/8-16 Hex Nyloc
25	7091318	2	SCREW, 5/16-18 x 3/4" Hex Head Cap, GR 5 Was 90206

Footnotes:

PARKING BRAKE ASSEMBLY (Late Production)

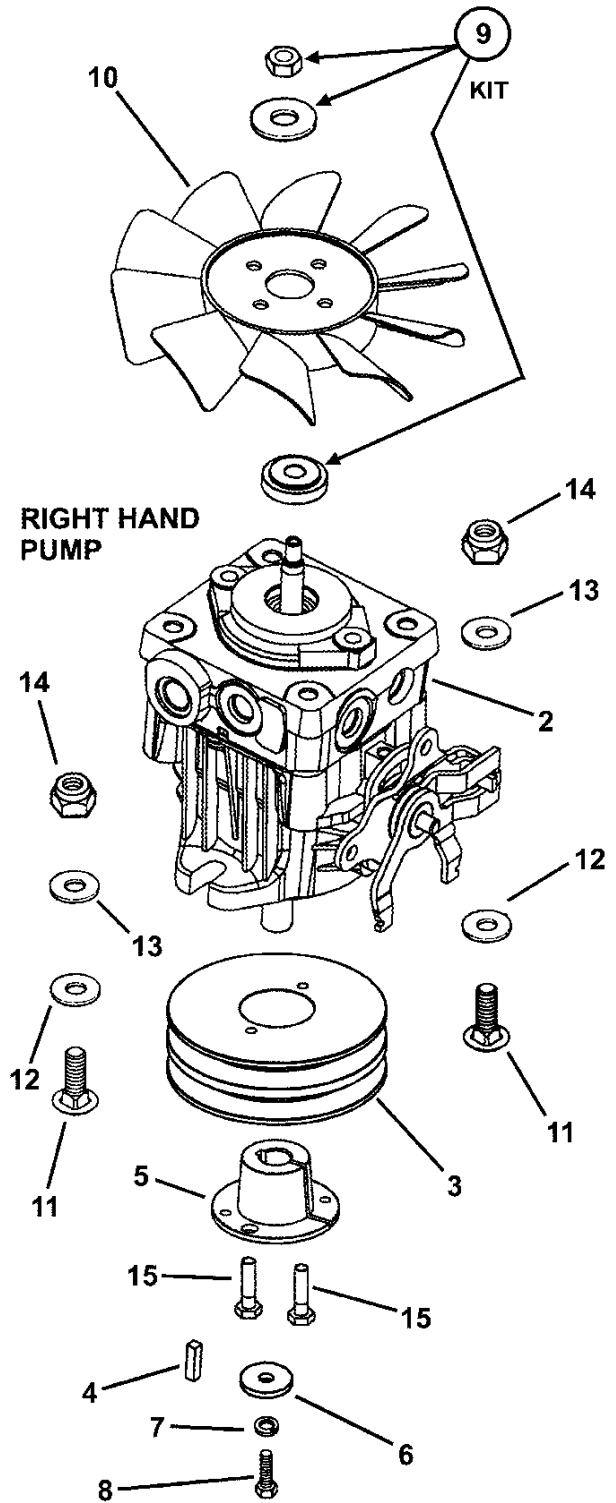
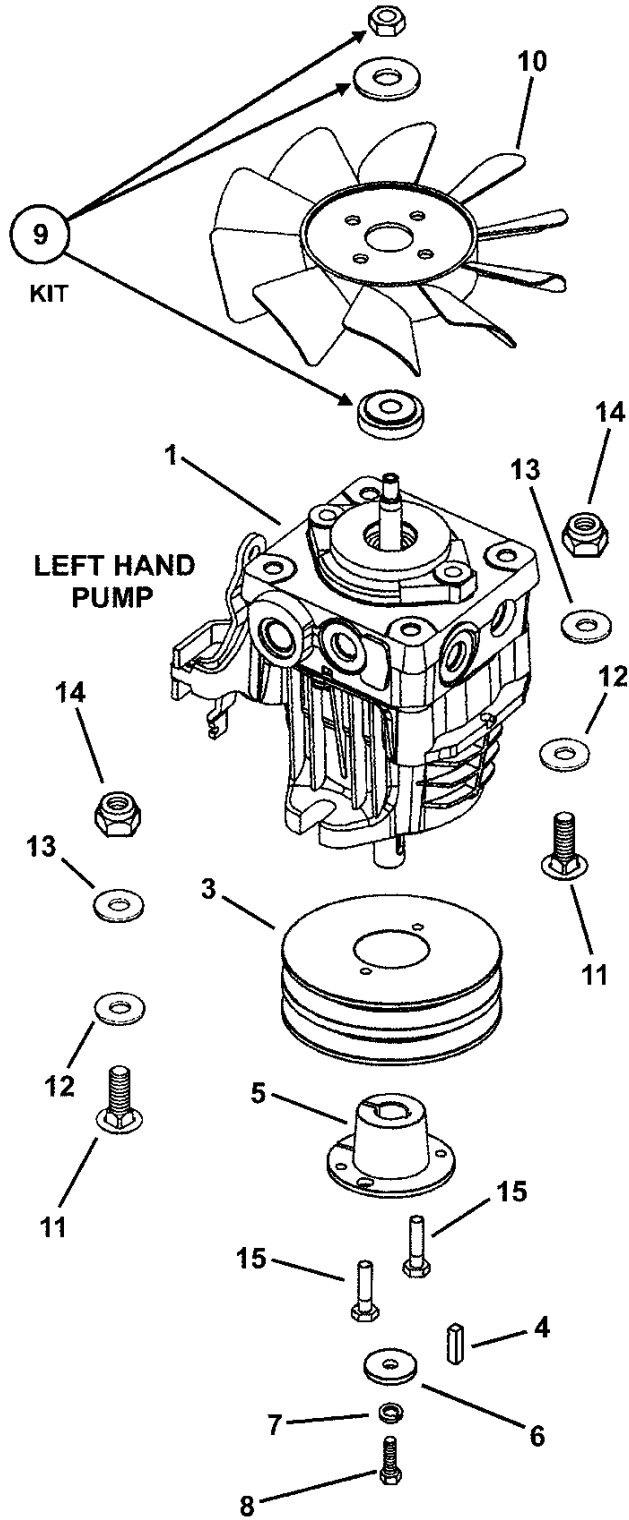


PARKING BRAKE ASSEMBLY (Late Production)

Item	Part No	Qty	Description
1	7010739	3	RING, 5/8" External Retaining
2	7092091	1	GROOVE PIN, 1/4 x 1-1/4" long
3	7091593	8	PIN, 3/8" Self Locking Cotter Was 24159
4	7011231	2	SWIVEL, 3/8" Thru Hole, Special
5	7046451	2	SWIVEL, 3/8-24 Adjustment
6	7046782	2	SPRING, Rectangular Wire Die, Blue
7	7059084	1	WELDMENT, Brake Rod Crossrod
8	7059085	1	WELDMENT, Park Brake Handle
9	7059086	2	WELDMENT, Brake Linkage Pivot
10	7059087	2	WELDMENT, Brake Linkage Bellcrank
11	7071820	2	ASSEMBLY, Brake Ausco p/n CC 83022; used on Series 2 (late production only)
12	7041140	2	BRACKET, Brake Mounting
13	7072934	6	BUSHING, Teflon Impregnated
14	7073989	2	FRONT LINKAGE, Park Brake (3/8-24 thread)
15A	7073990	2	REAR LINKAGE, Park Brake (3/8-24 thread) 48" & 52" Deck Models
15B	7072094	2	ROD, Brake Rear (3/8-16 thread) 61" Deck Models Only
16	7074196	1	GRIP, Parking Brake
17	7090122	4	WASHER, 3/8" SAE Flat
18A	7090482	4	NUT, 3/8-24, Hex Jam, GR 5 or B
18B	7090665	4	NUT, 3/8-16, Hex Jam, GR 5 or B
19	7091298	8	NUT, 5/16-18 Hex Nyloc
20	7091508	6	BOLT, 5/16-18 x 3/4" Short Neck Carriage, GR 5
21	7091628	6	WASHER, .64 I.D. x .99 O.D. x .05 Flat
22	7041148	4	SHOULDER BOLT, 3/8-16Hex Socket Head
23	7091585	4	NUT, 3/8-16 Hex Center Lock

Footnotes:

HYDRO PUMP ASSEMBLIES



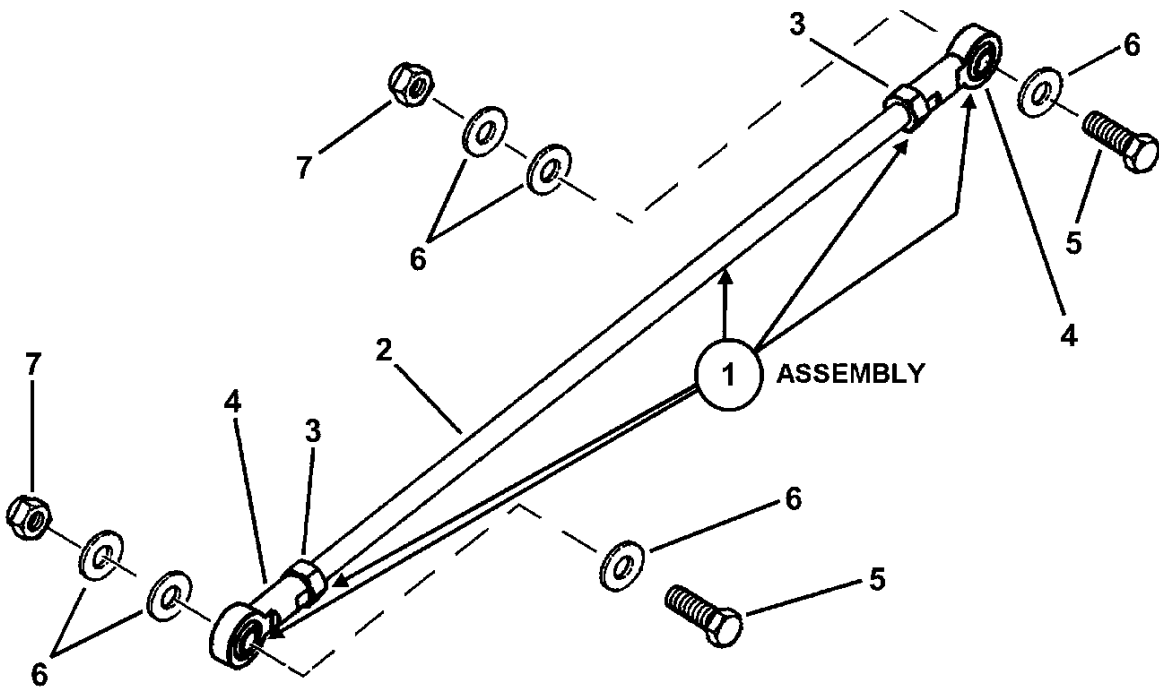
HYDRO PUMP ASSEMBLIES

Item	Part No	Qty	Description
1	7072522	1	* PUMP, Hydro-Gear PG-3KCC-NC1X-XXXX (Left Hand) BDP-10A-454
2	7072521	1	* PUMP, Hydro-Gear PG-3HCC-NE1X-XXXX (Right Hand) BDP-10A-331
3	7041330	2	PULLEY, 4.25 O.D. x 1.375 OA x "H" Tapered Bore Double Pump
4	7027199	2	KEY, M5 x M20
5	7071831	2	PULLEY, "D" Bushing x 15mm Bore
6	7091627	2	WASHER, 1/4 x 1x 1/8" Flat
7	7027223	2	WASHER, 1/4" Split Lock
8	7091835	2	SCREW, M6 1.0 x 12mm Hex Head Cap
9	7074738	2	KIT, Fan Hub (Includes 1 each of 3 items shown below) (Hydro Gear p/n 70632) for BDP-10A Pump w/Thru Shaft HUB, Fan Mount (Part of #9) WASHER, Belleville, Fan Mount (Part of #9) NUT, Hex Nyloc (Part of #9)
10	7074968	2	FAN, 7" Nylon, Counter-Clockwise
11	7027181	4	BOLT, 3/8-16 x 1-1/4" Short Neck Carriage GR 5
12	7013847	4	RETAINER, 3/8" Bolt
13	7090122	4	WASHER, 3/8" Flat
14	7091299	4	NUT, 3/8-16 Hex Nyloc
15	7027230	2	SCREW, 1/4-20 x 1" Hex Head Cap GR 5 Was 90548 or 27230

Footnotes:

* NOTE: Before ordering a new pump check the tag on the pump for proper identification.

HYDRO PUMP LINKAGE

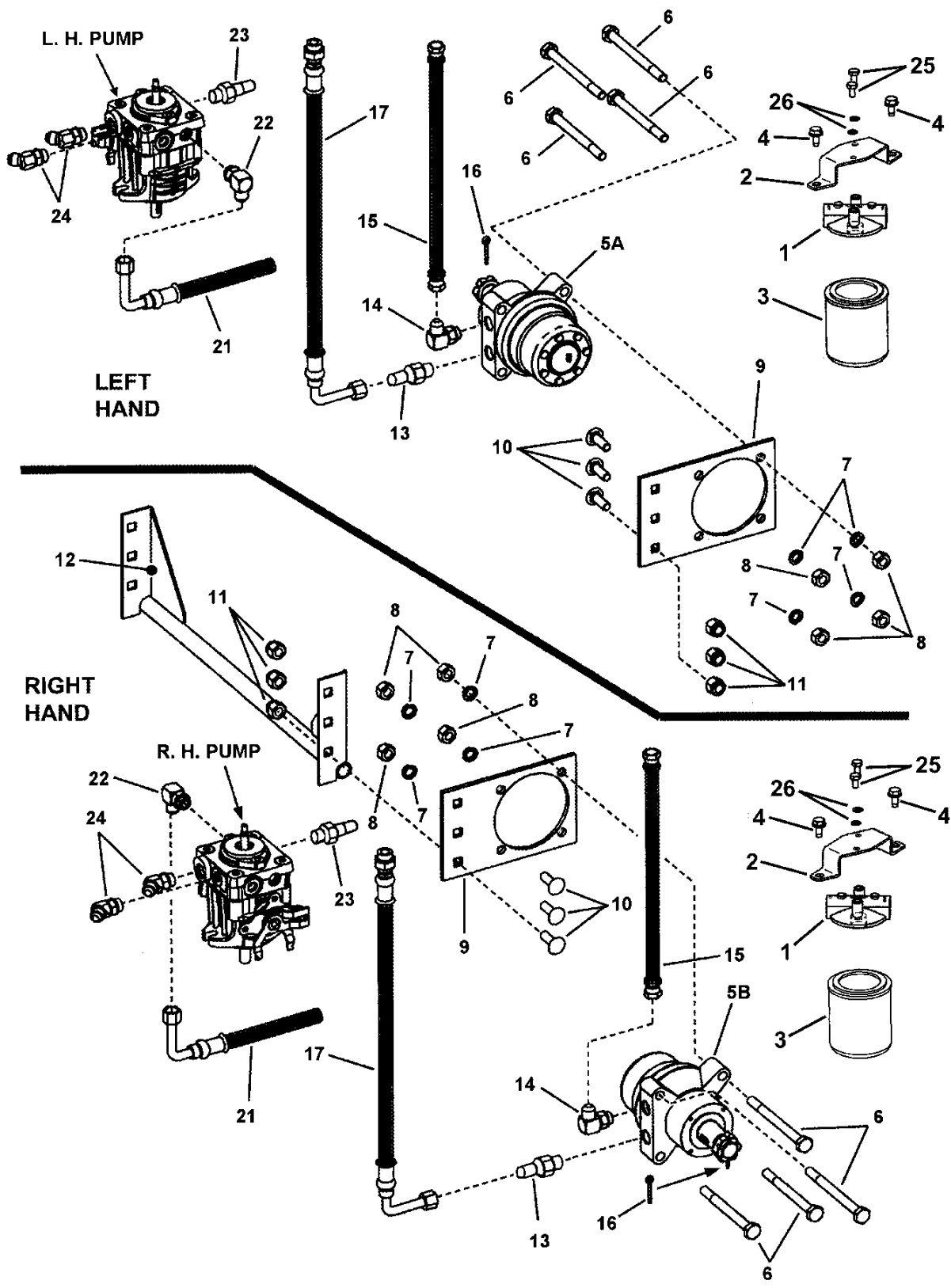


HYDRO PUMP LINKAGE

Item	Part No	Qty	Description
1	7059118	2	ASSEMBLY, Pump Control Linkage
2	7073995	1	LINKAGE ROD, Pump Control (5/16-24 thread- both ends) per 59118 linkage assembly
3	7091297	2	NUT, 5/16-24 Hex GR 5 per 59118 linkage assembly
4	7027139	2	BALL JOINT, 5/16-24 per 59118 linkage assembly
5	7091527	2	SCREW, 5/16-18 x 1-1/4" Hex Head Cap GR 5
6	7090188	12	WASHER, 5/16" Flat
7	7091298	4	NUT, 5/16-18 Hex Nyloc

Footnotes:

HOSE ASSEMBLY (48" & 52" DECK) PT.1

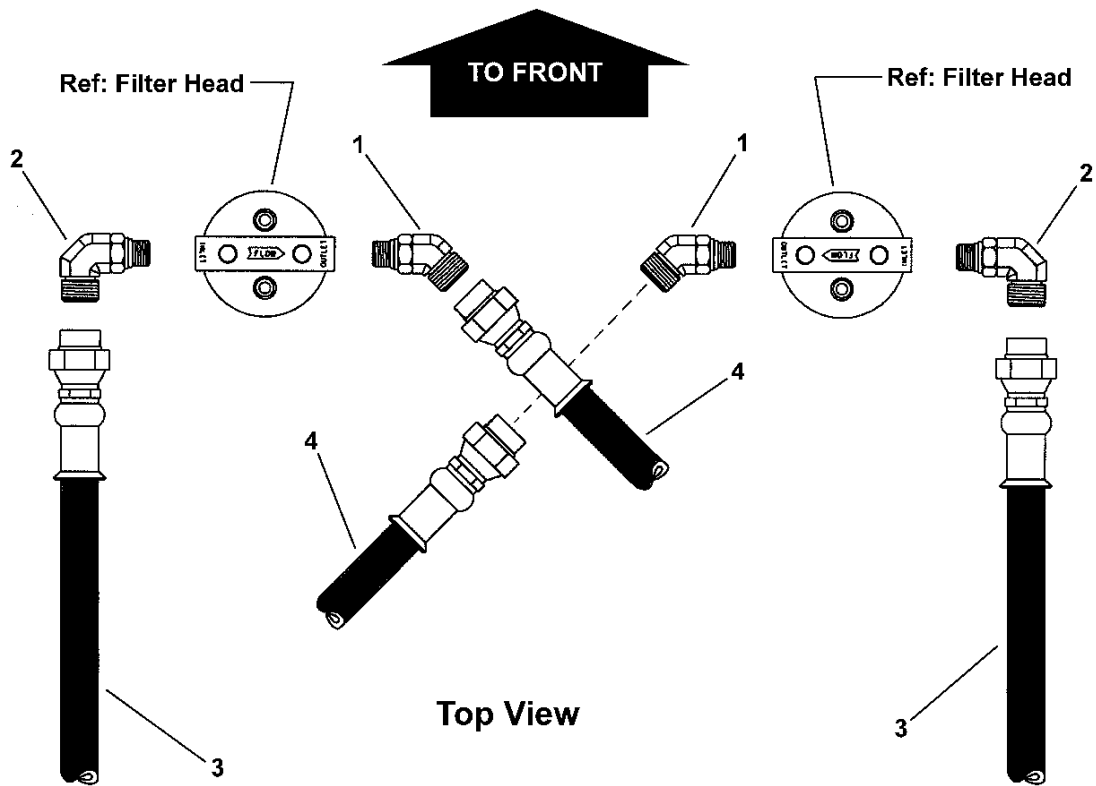


HOSE ASSEMBLY (48" & 52" DECK) PT.1

Item	Part No	Qty	Description
1	5023096	2	FILTER HEAD
2	7075919	2	BRACKET, Filter
3	1719168	2	FILTER
4	7090361	6	SCREW, 5/16-18 x 5/8" Hex Washer Self-Tap
5A	7075637	1	MOTOR, Hydraulic, Left Hand Includes Castle Nut & #502 Woodruff Key, 5/16 x 1"
5B	7075638	1	MOTOR, Hydraulic, Right Hand Includes Castle Nut & #502 Woodruff Key, 5/16 x 1"
6	7092087	8	BOLT, 1/2-13 x 6" Hex Head Cap GR 5
7	7091322	8	WASHER, 1/2" Split Lock
8	7091316	8	NUT, 1/2-13 Hex GR B
9	7073996	2	MOUNTING PLATE, Hydro Motor
10	7090768	6	BOLT, 1/2-13 x 1-1/2" Square Neck Carriage, GR 5
11	7091325	6	NUT, 1/2-13 Hex Nyloc
12	7059091	1	WELDMENT, Rear Crossbrace
13	7075058	2	CONNECTOR, Straight Hydraulic (Parker # 8-10 F5OLO-S)
14	7075059	2	CONNECTOR, 90 Degree Hydraulic (Parker # 8-10 C5OLO-S)
15	7075049	2	HOSE, 13-3/4" Hydraulic (Parker # F436BKJJC080808-13-75)
16	7091809	2	COTTER PIN, 1/8 x 1-1/2" Was 90297
17	7075051	2	HOSE, 17-1/2" Hydraulic (Parker # F436BKJJC5080808-17.5)
21	7075054	2	HOSE, 6-1/2" (Parker # R836BKJ9NR080008-6.5)
22	7075056	2	CONNECTOR, 90 Degree Hydraulic (Parker # 8-6 C5OLO-S)
23	7075057	2	CONNECTOR, Straight Hydraulic (Parker # 8-6 F5OLO-S)
24	7075055	4	CONNECTOR, 45 Degree Hydraulic (Parker # V5OLO-S)
25	7090071	4	SCREW, 1/4-20 x 1/2" Hex Head Cap, GR 5
26	7090052	4	WASHER, 1/4" Split Lock

Footnotes:

NOTE: Order 59172 for Hose and Connector Kit for 48" & 52" Deck.

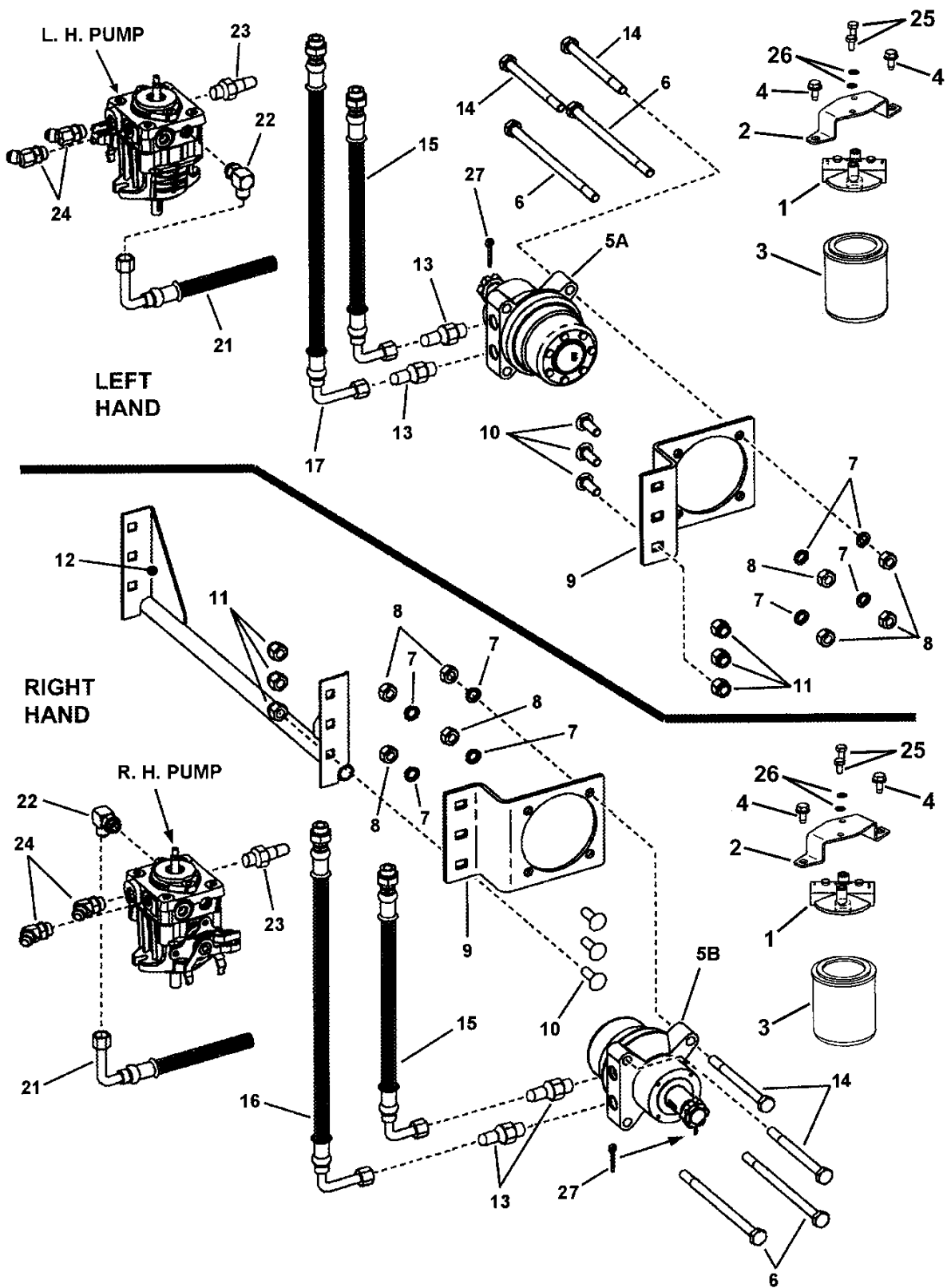


HOSE ASSEMBLY (48" & 52" DECK) PT.2

Item	Part No	Qty	Description
--	5023096	--	FILTER HEAD also shown in previous group
1	7075056	2	CONNECTOR, 90 Degree Hydraulic (Parker # 8-6 C5OLO-S)
2	7041247	2	CONNECTOR, Hydraulic (Parker #8-6 V 50L0-S)
3	7075052	2	HOSE, 18-1/2" (Parker R836BKJ9090808-18.5)
4	7075053	2	HOSE, 12-1/4" (Parker # R836BKJ9NR080008-12.5)

Footnotes:

HOSE ASSEMBLY (61" DECK) PT.1

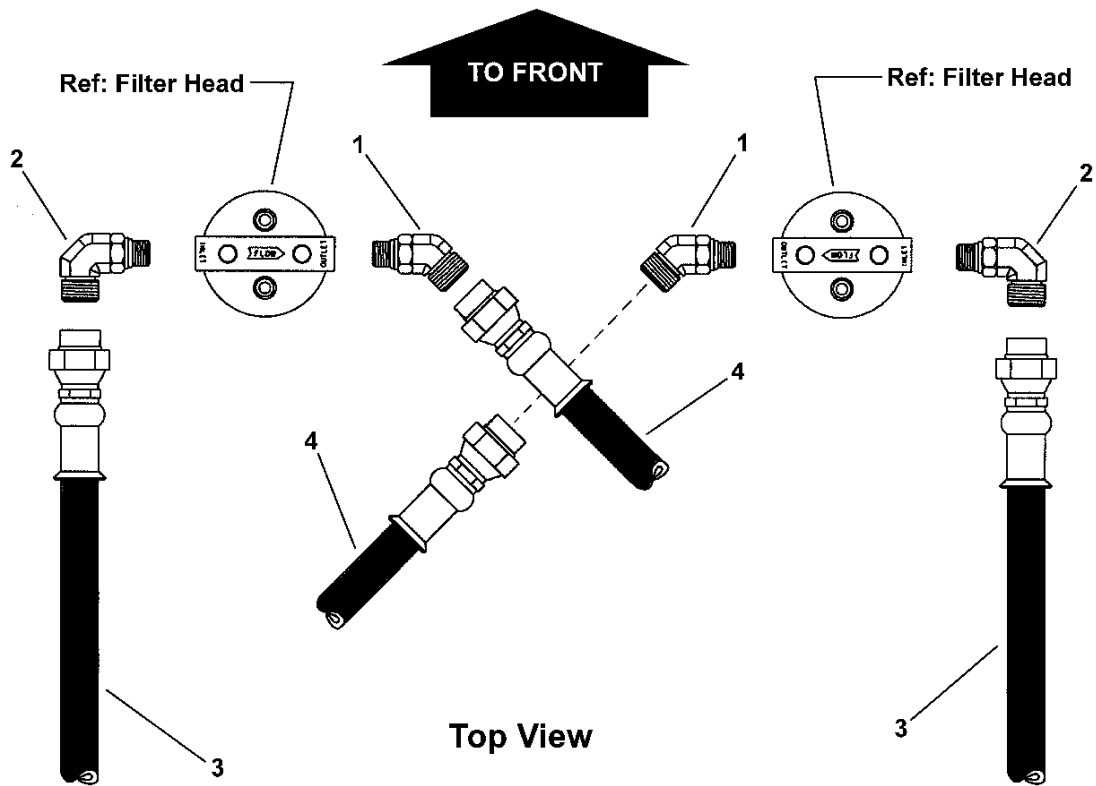


HOSE ASSEMBLY (61" DECK) PT.1

Item	Part No	Qty	Description
1	5023096	2	FILTER HEAD
2	7075919	2	BRACKET, Filter
3	1719168	2	FILTER
4	7090361	6	SCREW, 5/16-18 x 5/8" Hex Washer Self-Tap
5A	7075637	1	MOTOR, Hydraulic, Left Hand Includes Castle Nut & #502 Woodruff Key, 5/16 x 1"
5B	7075638	1	MOTOR, Hydraulic, Right Hand Includes Castle Nut & #502 Woodruff Key, 5/16 x 1"
6	7092087	8	BOLT, 1/2-13 x 6" Hex Head Cap GR 5
7	7091322	8	WASHER, 1/2" Split Lock
8	7091316	8	NUT, 1/2-13 Hex GR B
9	7075443	2	PLATE, Mounting
10	7090768	6	BOLT, 1/2-13 x 1-1/2" Square Neck Carriage GR 5
11	7091325	6	NUT, 1/2-13 Hex Nyloc
12	7059091	1	WELDMENT, Rear Crossbrace
13	7075058	2	CONNECTOR, Straight Hydraulic (Parker # 8-10 F5OLO-S)
14	7029355	4	BOLT, 1/2-13 x 3-3/4" Hex Head Cap
15	7075470	2	HOSE, 15-1/2" Hydraulic (Parker # F436JCJ9080808-15.50)
16	7075050	1	HOSE, 19-1/2" (Parker # F436BKJCJ5080808-19.5)
17	7075051	2	HOSE, 17-1/2" Hydraulic (Parker # F436BKJCJ5080808-17.5)
21	7075054	2	HOSE, 6-1/2" (Parker # R836BKJ9NR080008-6.5)
22	7075056	2	CONNECTOR, 90 Degree Hydraulic (Parker # 8-6 C5OLO-S)
23	7075057	2	CONNECTOR, Straight Hydraulic (Parker # 8-6 F5OLO-S)
24	7075055	4	CONNECTOR, 45 Degree Hydraulic (Parker # V5OLO-S)
25	7090071	4	SCREW, 1/4-20 x 1/2" Hex Head Cap, GR 5
26	7090052	4	WASHER, 1/4" Split Lock
27	7091793	2	PIN, 9/64 x 1-1/2" Cotter

Footnotes:

NOTE: Order 75604 for Hose and Connector Kit for 61" Deck.

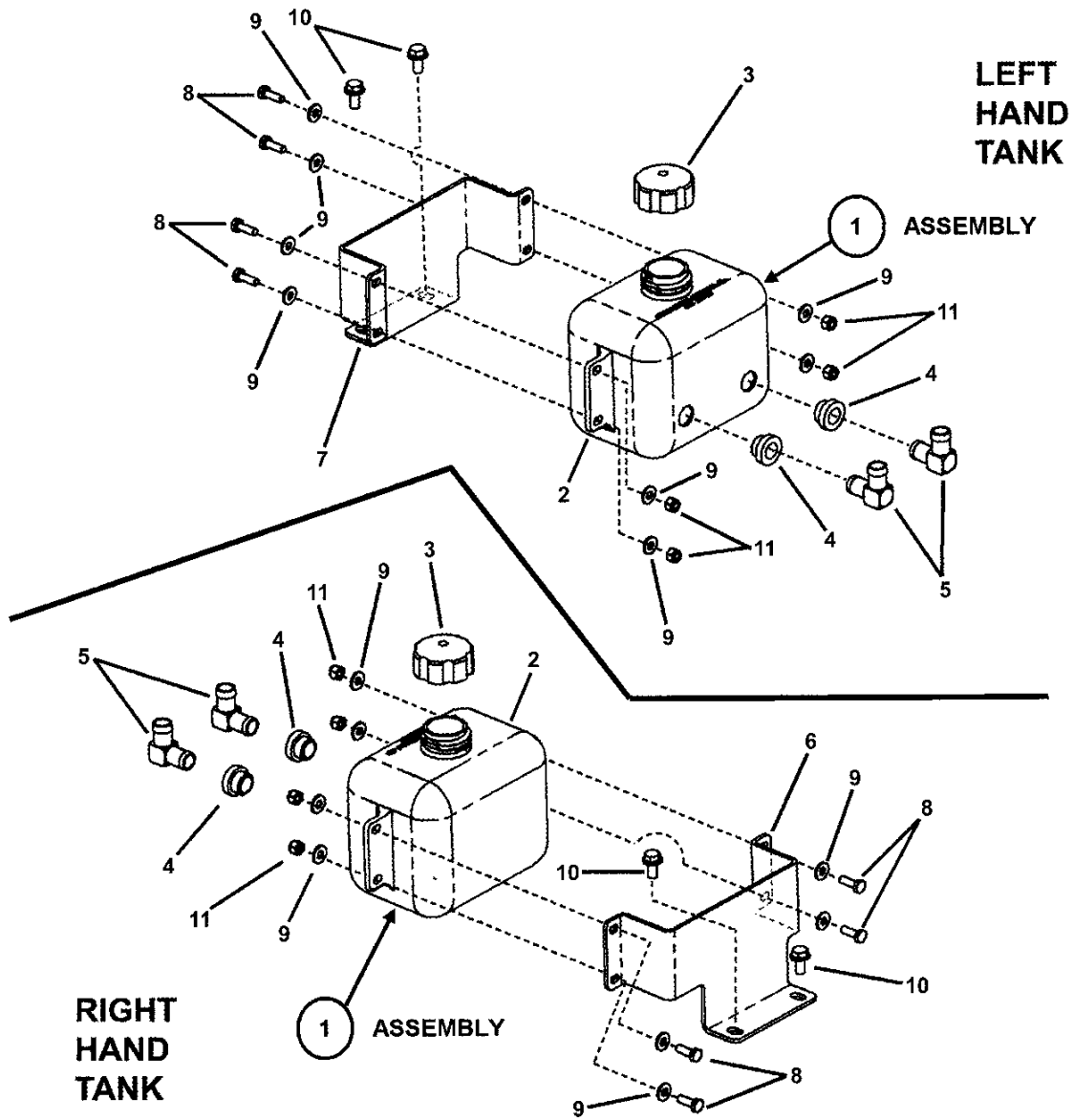


HOSE ASSEMBLY (61" DECK) PT.2

Item	Part No	Qty	Description
--	5023096	--	FILTER HEAD also shown in previous group
1	7075056	2	CONNECTOR, 90 Degree Hydraulic (Parker # 8-6 C5OLO-S)
2	7041247	2	CONNECTOR, Hydraulic (Parker #8-6 V 50L0-S)
3	7075052	2	HOSE, 18-1/2" (Parker R836BKJ9090808-18.5)
4	7075053	2	HOSE, 12-1/4" (Parker # R836BKJ9NR080008-12.5)

Footnotes:

HYDRO RESERVOIR ASSEMBLY

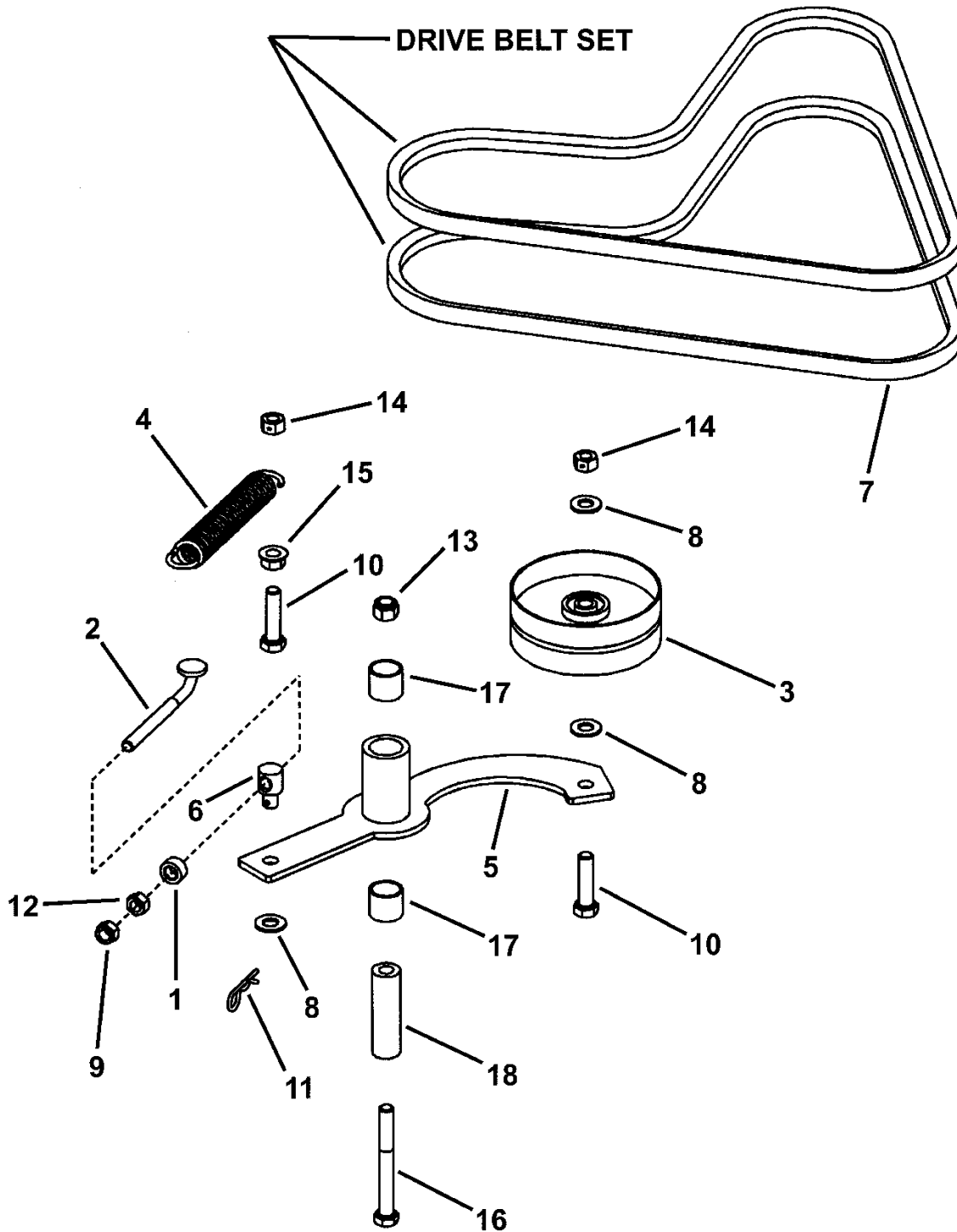


HYDRO RESERVOIR ASSEMBLY

Item	Part No	Qty	Description
1	7059088	2	ASSY, Hydraulic Tank (Includes 4 items shown below)
2	7074002	1	TANK, Hydraulic, NZM per 59088, tank assembly
3	7075289	1	CAP, Vented (Kelch # H4550D) per 59088, tank assembly
4	7075687	2	GROMMET (Dapco # 12078) per 59088, tank assembly
5	7073238	2	ELBOW FITTING (Dapco # 12183) per 59088, tank assembly
6	7073999	1	BRACKET, R.H. Hydro Tank Mount
7	7074001	1	BRACKET, L.H. Hydro Tank Mount
8	7027230	8	SCREW, 1/4-20 x 1" Hex Head Cap GR 5 (or 27230) Was 90548
9	7091294	16	WASHER, 1/4" Flat
10	7090361	4	SCREW, 5/16-18 x 5/8" Hex Washer Self-Tap
11	7091603	8	NUT, 1/4-20 Hex Nyloc
12	7012080	5	CABLE TIE, 7" Long (not shown)

Footnotes:

HYDRO IDLER ASSEMBLY

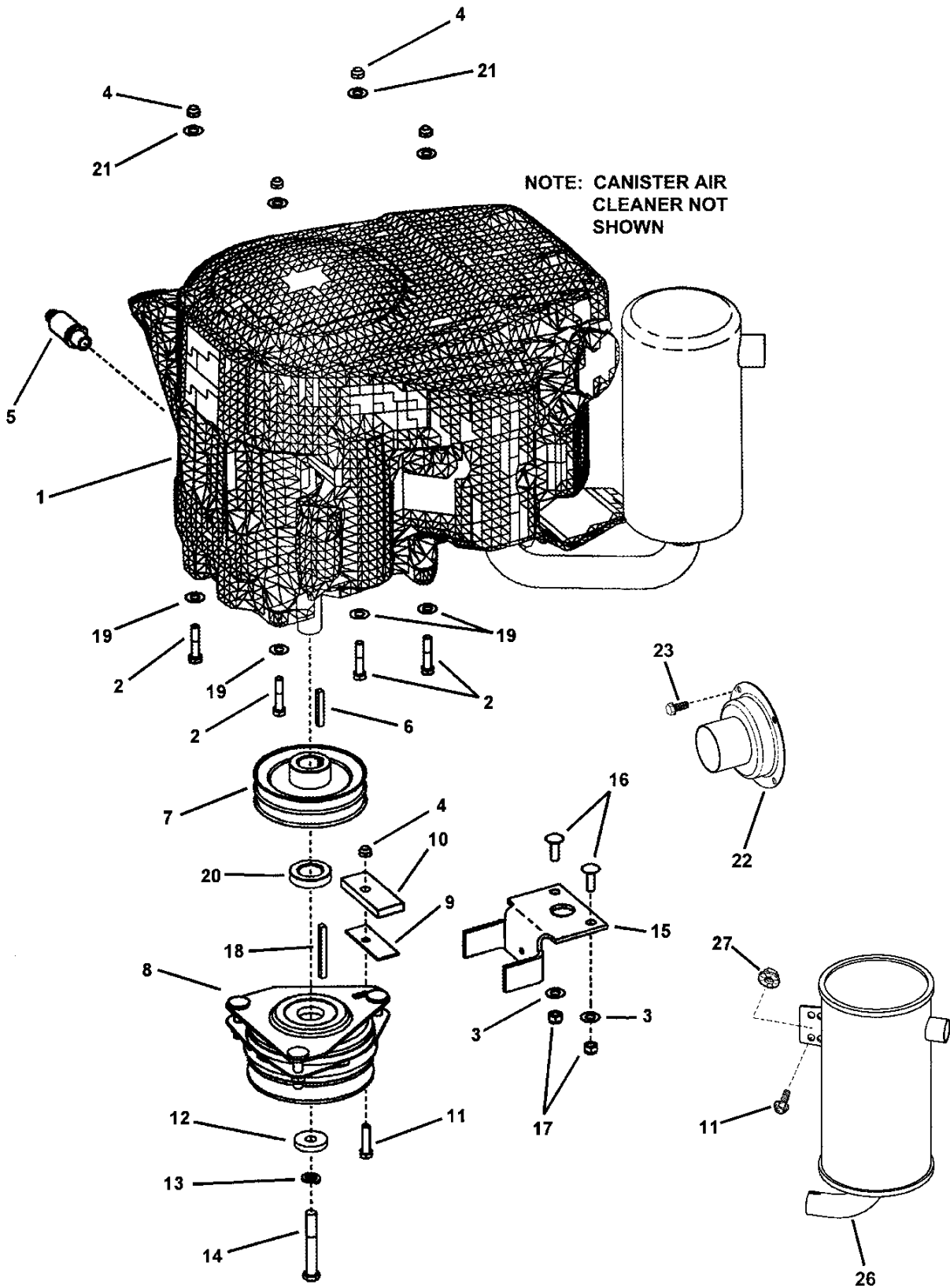


HYDRO IDLER ASSEMBLY

Item	Part No	Qty	Description
1	7028620	1	SPACER, .340 I.D. x .63 O.D. x .310 Thick
2	7028728	1	ADJUSTER, Chain (5/16-18 thread)
3	7041262	1	IDLER, 4" OD x .391 ID x 1.25 Backside
4	7073992	1	SPRING, Extension
5	7074440	1	WELDMENT, Idler Arm
--	7041547	1	SET, Matched Traction Drive Belts Kit contains two belts (p/n 75109)
6	7075078	1	SWIVEL, Adjustable
7	7075109	2	BELT, Hydro Drive (HA Section, 47.5 Effective Length) Traction Drive
8	7090122	4	WASHER, 3/8" SAE Flat
9	7091298	1	NUT, 5/16-18 Hex Nyloc
10	7091497	1	SCREW, 3/8-16 x 1-1/2 Hex Head Cap GR 5
11	7091503	1	HAIR PIN, 3/32 x 1-1/2"
12	7091511	1	NUT, 5/16-18 Hex, GR 5 or B
13	7091518	1	NUT, 3/8-24 Hex Nyloc
14	7091585	3	NUT, 3/8-16 Hex Center Lock
15	7091619	1	NUT, 3/8-16 Hex Flange Lock
16	7092055	1	SCREW, 3/8-16 x 3-1/4" Hex Head Cap, GR 5
17	1723805	2	SLEEVE BUSHING, 3/4 ID GV3031224
18	1723806	1	IDLER ARM PIVOT BOSS GV3036304

Footnotes:

ENGINE SUB-ASSEMBLY

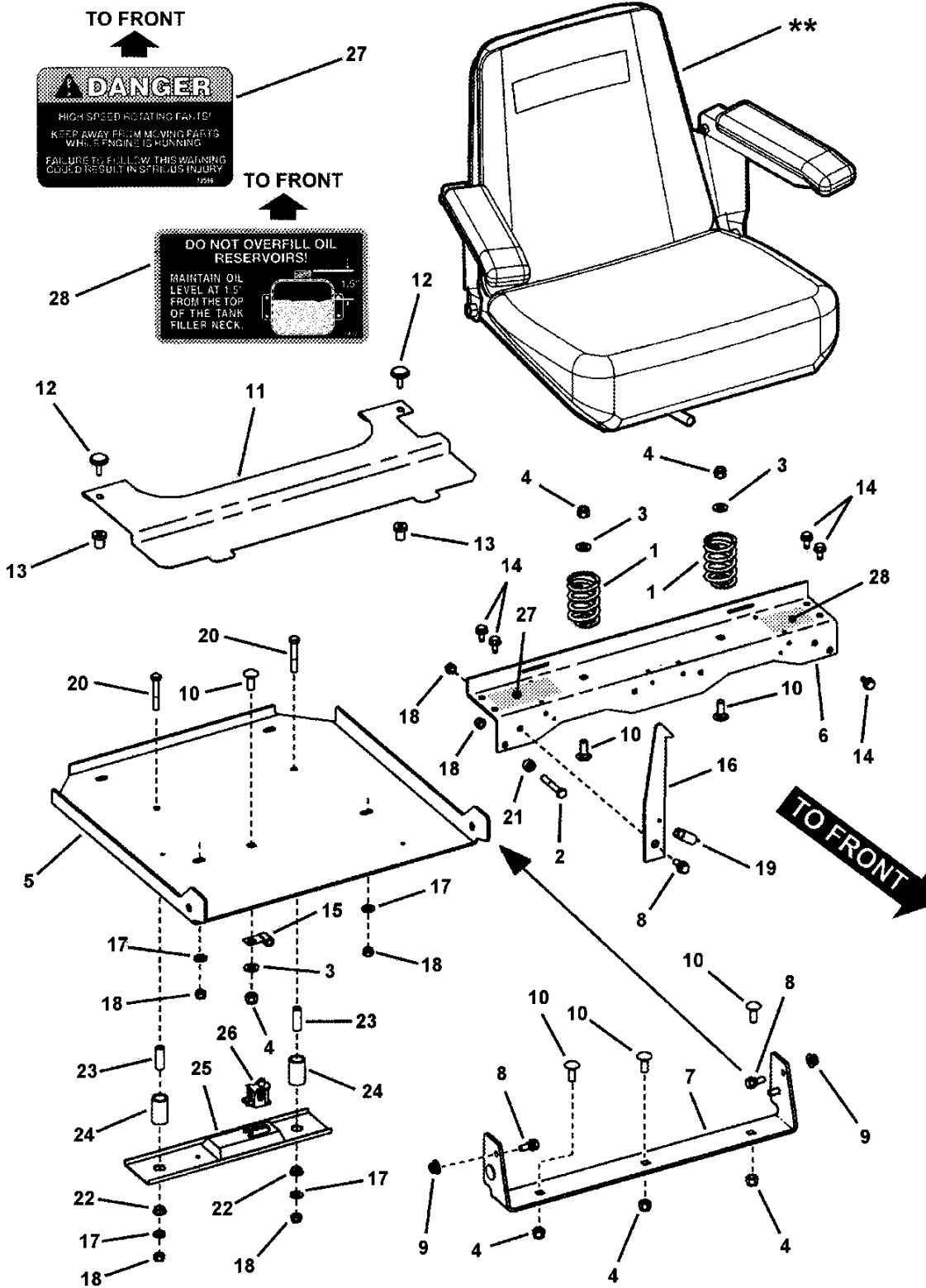


Item	Part No	Qty	Description
1	FH601V-BS20	1	* ENGINE, 19 HP Kawasaki (Model FH601V-BS20)
1	FH641V-AS17	1	* ENGINE, 21 HP Kawasaki (Model FH641V-BS01 or AS17)
1	FH641V-BS01	1	* ENGINE, 21 HP Kawasaki (Model FH641V-BS01 or AS17)
1	FH721V-AS29	1	* ENGINE, 25 HP Kawasaki (Model FH721V-AS29)
1	CV740S	1	* ENGINE, 27 HP Kohler (Model CV740S) includes oil drain pipe (Kohler 24 136 04) & pipe cap (Kohler 12 173 03)
2	7091540	4	SCREW, 5/16-18 x 1-1/2" Hex Head Cap GR 5
3	7013847	2	RETAINER, 3/8" Bolt
4	7091706	5	NUT, 5/16-18 Hex Top Lock GR B
5	7027972	1	ASSEMBLY, Oil Valve Kawasaki engines only
6	7013250	1	KEY, 1/4" Square x 1"
7	7071828	1	PULLEY, 4.26 x 1.375 OAL x 1" Bore
8	7075672	1	CLUTCH, Electric (Ogura Model # GT2.5-RM01)
9	7034448	1	WASHER, Rectangular Steel
10	7029704	1	BUMPER, Electric Clutch
11	7091527	2	SCREW, 5/16-18 x 1-1/4" Hex Head Cap GR 5
12	7075082	1	WASHER, .468 x 1.85 x .25 Flat
13	7091301	1	WASHER, 7/16" Split Lock
14	7092071	1	SCREW, 7/16-20 x 2-1/2" Hex Head Cap, GR 5 with locking patch
15	7034829	1	BRACKET, Clutch
16	7091640	2	BOLT, 3/8-16 x 1" Square Neck Carriage GR 5
17	7091299	2	NUT, 3/8-16 Hex Nyloc
18	7017033	1	KEY, 1/4" Square x 2-1/4" Long
19	7011791	4	RETAINER, 5/16" Bolt
20	7025071	1	SPACER, Clutch
21	7090188	4	WASHER, 5/16" Flat
22	7075734	1	OUTLET, Muffler used on NZM27612KH only
23	7091581	4	SCREW, #8-18 x 1/2" Hex Washer Self-Tap used on NZM27612KH only
24	7092044	2	NUT, M8 x 1.25 Hex used on NZM27612KH only (not shown)
25	7091315	2	WASHER, 5/16" Split Lock used on NZM27612KH only (not shown)
26	7078134	1	MUFFLER Kawasaki engines only
27	7091601	1	NUT, 5/16-18 Hex Flange Lock Was 90585

Footnotes:

Note* Purchase engine components directly from engine manufacturer dealer.

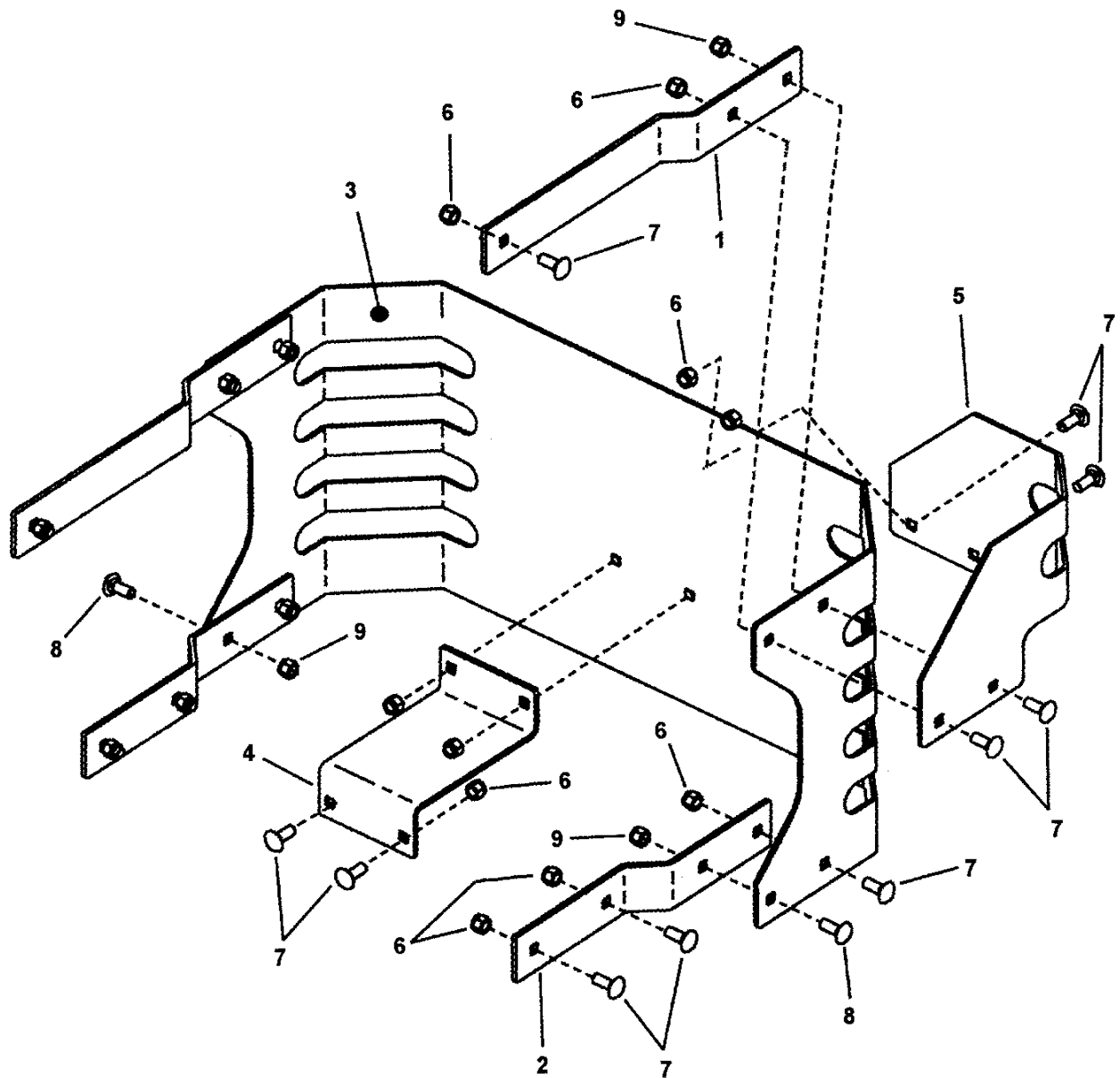
SEAT ASSEMBLY



Item	Part No	Qty	Description
--	7075417	1	SEAT ASSY(Ferris p/n 177516 order parts from Seats, Inc. 1-800-767-3287) (Incl. angle brackets, seat pan, cushions, flip-up armrests, adjusters w/lock & seat switch)
--	7029338	1	SEAT ASSY (Seats Inc. p/n 179035VD310 Silver/Black (not shown) used on NZM27612KH only
1	7074218	2	SPRING, Compression- Seat Support
2	7091541	1	SCREW, 5/16-18 x 3/4" Hex Washer Self-Tap Was 90368
3	7090122	2	WASHER, 3/8" SAE Flat
4	7091299	6	NUT, 3/8-16 Hex Nyloc
5	7075419	1	SEAT PAN
6	7074673	1	CROSSMEMBER, Seat Support
7	7058546	1	WELDMENT, Hinge Bracket
8	7015761	6	SHOULDER BOLT, 5/16-18
9	7090951	2	NUT, 5/16-18 Large Flange Hex Center Lock
10	7091640	7	BOLT, 3/8-16 x 1" Square Neck Carriage GR 5
11	7074740	1	GUARD, Fan
12	7023341	2	KNOB, 1/4-20 x 3/4" Thread
13	7091909	2	WELL-NUT, 1/4-20 x 53/64
14	7090361	5	SCREW, 5/16-18 x 5/8" Hex Washer Self-Tap
15	7035638	1	CLIP, Open 3/8" Cushioned
16	7075616	1	LATCH, Seat Support
17	7090188	6	WASHER, 5/16" Flat
18	7091298	7	NUT, 5/16-18 Hex Nyloc
19	7026292	1	SPRING, Extension
20	7027174	2	SCREW, 5/16-18 x 2" Hex Head Cap GR 5
21	7028620	1	SPACER, .340 I.D. x .63 O.D. x .310 Thick
22	7022793	2	BUSHING, Seat
23	7022794	2	SPACER
24	7036492	2	SPRING, Compression on Kawasaki models
--	7071767	2	SPRING, Compression on Kohler models
25	7033362	1	HOLDER, Seat Switch
26	7023354	1	SWITCH, Seat, NC
27	7073596	1	DECAL, Danger- High Speed Rotating Parts
28	7075433	1	DECAL, Reservoir Oil Level
29	7026249	2	SPACER, Washer (not shown) used on NZM27611KH only

Footnotes:

MUFFLER GUARD ASSEMBLY

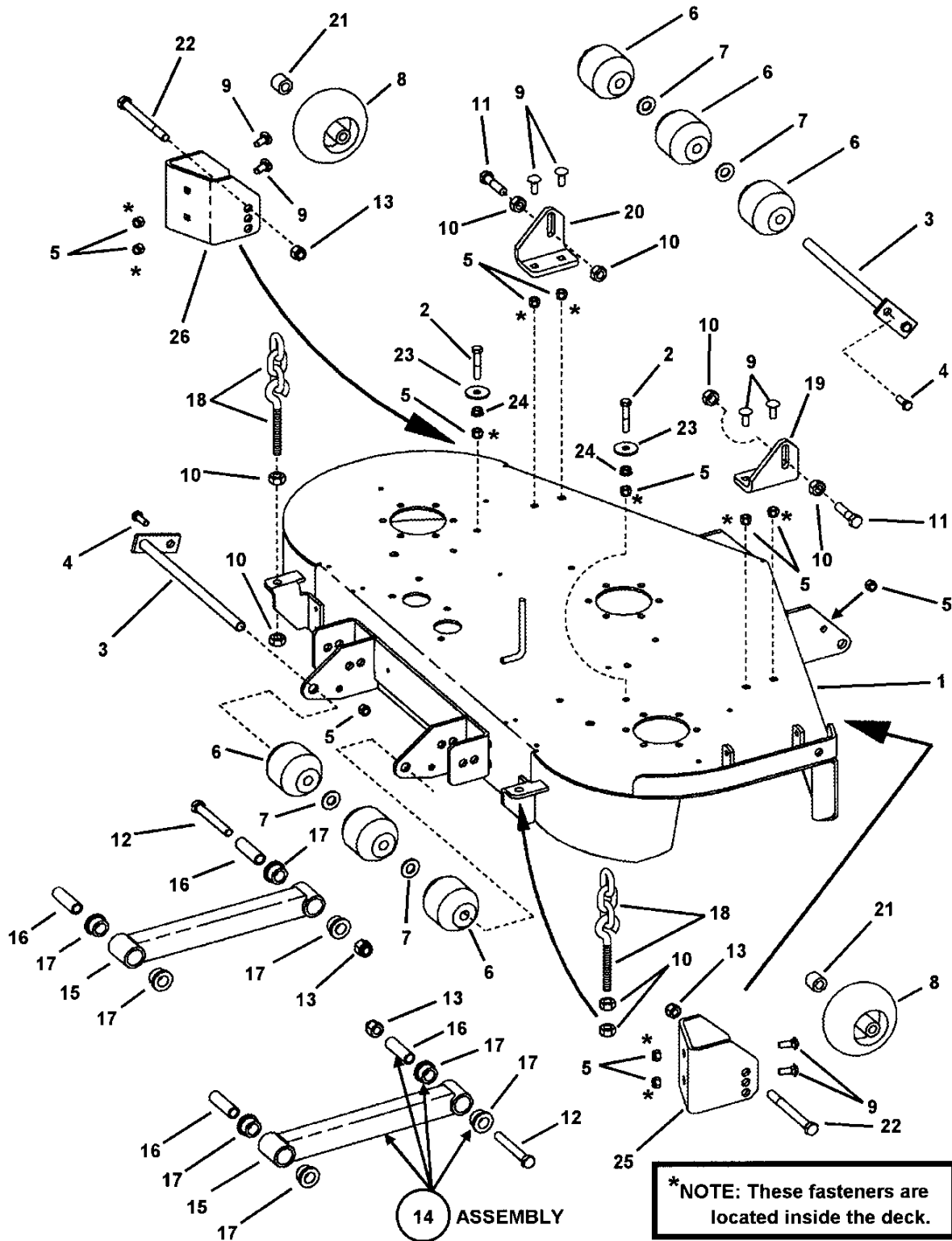


MUFFLER GUARD ASSEMBLY

Item	Part No	Qty	Description
1	7074691	2	UPPER BRACKET, Muffler Guard
2	7074692	2	MOUNT, Lower Muffler Guard
3	7074693	1	GUARD, Muffler (Back Plate)
4	7074785	1	REAR BRACE, Muffler Guard
5	7075073	1	GUARD, Muffler
6	7091299	17	NUT, 3/8-16 Hex Nyloc
7	7091640	18	BOLT, 3/8-16 x 1" Square Neck Carriage GR 5
8	7091923	2	BOLT, 3/8-16 x 3/4" Square Neck Carriage
9	7091585	3	NUT, 3/8-16 Hex Center Lock

Footnotes:

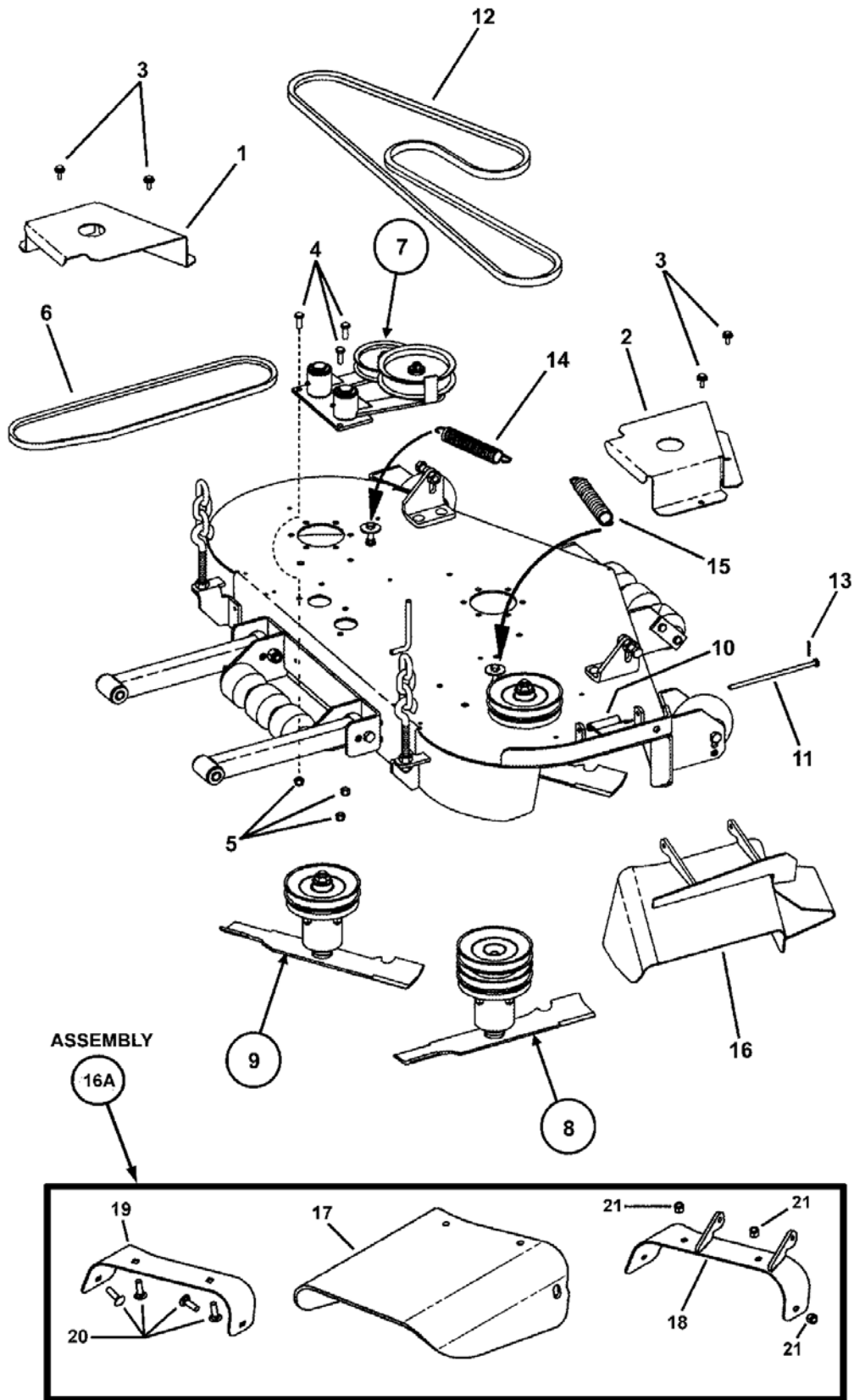
48" CUTTING DECK ASSEMBLY PT.1



Item	Part No	Qty	Description
1	7059475	1	WELDMENT, 48" Deck Deck Group 75585
2	7091305	2	SCREW, 3/8-16 x 2" Hex Head Cap, GR 5
3	7027327	2	WELDMENT, Pivot Pin
4	7091304	2	SCREW, 3/8-16 x 1" Hex Head Cap, GR 5
5	7091299	15	NUT, 3/8-16 Hex Nyloc
6	7073142	6	ROLLER Low Density Polyethylene Was 79226
7	7027344	4	WASHER, 5/8" Flat SAE
8	7029264	2	GAUGE WHEEL, Polyethylene
9	7091640	8	BOLT, 3/8-16 x 1" Square Neck Carriage GR 5
10	7091316	8	NUT, 1/2-13 Hex, GR B
11	7090543	2	SCREW, 1/2-13 x 2" Hex Head Cap, GR 5
12	7029355	2	BOLT, 1/2-13 x 3-3/4" Hex Head Cap, GR 5
13	7091922	4	NUT, 1/2-13 Hex Light Nyloc
14	--	2	ASSEMBLY, Pusher Bar (Includes items 15-17)
15	7059108	1	WELDMENT, Pusher Bar
16	7029263	2	SLEEVE - Suspension
17	7029258	4	BUSHING - Suspension
18	7053562	2	ASSEMBLY, Chain & Eyebolt see Front Frame Assembly Pt. 2 page, item 22
19	7075580	1	BRACKET, Front Deck Lift, Right Hand
20	7075581	1	BRACKET, Front Deck Lift, Left Hand
21	7036456	2	SPACER, Gauge Wheel
22	7091822	2	BOLT, 1/2-13 x 5" Hex Head
23	7091331	2	WASHER, .406 x 1.50 x .120 Flat
24	7091619	2	NUT, 3/8-16 Hex Flange Lock
25	7074789	1	WHEEL BRACKET Front Right (replaces 75008)
26	7074790	1	WHEEL BRACKET Front Left (replaces 75009)

Footnotes:

48" CUTTING DECK ASSEMBLY PT.2

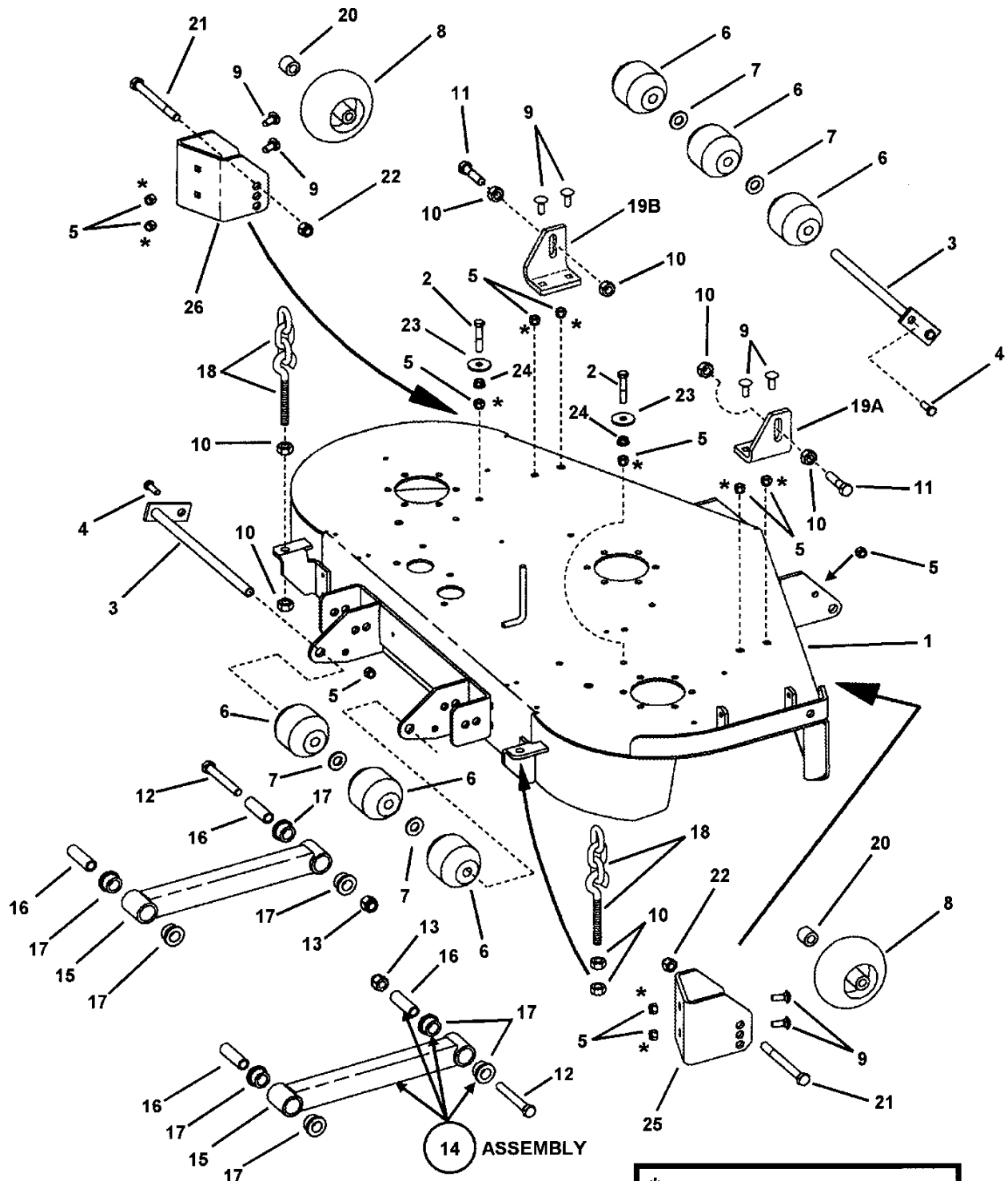


48" CUTTING DECK ASSEMBLY PT.2

Item	Part No	Qty	Description
1	7074571	1	BELT COVER, Left Hand
2	7074552	1	BELT COVER, Right Hand
3	7090361	4	SCREW, 5/16-18 x 5/8" Hex Washer Self-Tap
4	7091304	3	SCREW, 3/8-16 x 1" Hex Head Cap, GR 5
5	7091299	3	NUT, 3/8-16 Hex Nyloc
6	7075083	1	BELT, Primary (HB Section, 91.30" effective length)
7	--	1	ASSEMBLY, Idler (see breakdown on Idler Assy page)
8	--	1	ASSEMBLY, Center Spindle (dual pulley) (see breakdown on Deck Spindle Assy page)
9	--	2	ASSEMBLY, Spindle (single pulley) (see breakdown on Deck Spindle Assy page)
10	7027950	1	SPRING, Chute
11	7029277	1	PIN, Chute Hinge
12	7029261	1	V-BELT, Secondary - 48" (HB Section, 109.75" effective length)
13	7091313	1	PIN, 3/32 x 1" Cotter
14	7029278	1	SPRING, Idler (1.17" O.D. x 7.5" long)
15	7072915	1	SPRING, Idler Primary (1.25" O.D. x 10" long)
16	7058873	1	WELDMENT, Chute Deflector (48" Euro)(used on older models)
16A	--	1	ASSEMBLY, Discharge Chute, 48" Deck (used on newer models and can replace the steel version)(Not a part sale item) use items 17, 18, 19, 20 & 21
17	7100623	1	DEFLECTOR, 48" Chute (Rubber)
18	7400008	1	WELDMENT, 48" Discharge Chute
19	7300036	1	DEFLECTOR BOTTOM (48" Deck)
20	7091790	4	BOLT, 3/8-16 x 1-1/4" Square Neck Carriage, GR 5
21	5025096	4	NUT, 3/8-16 Hex Nyloc

Footnotes:

52" CUTTING DECK ASSEMBLY PT.1

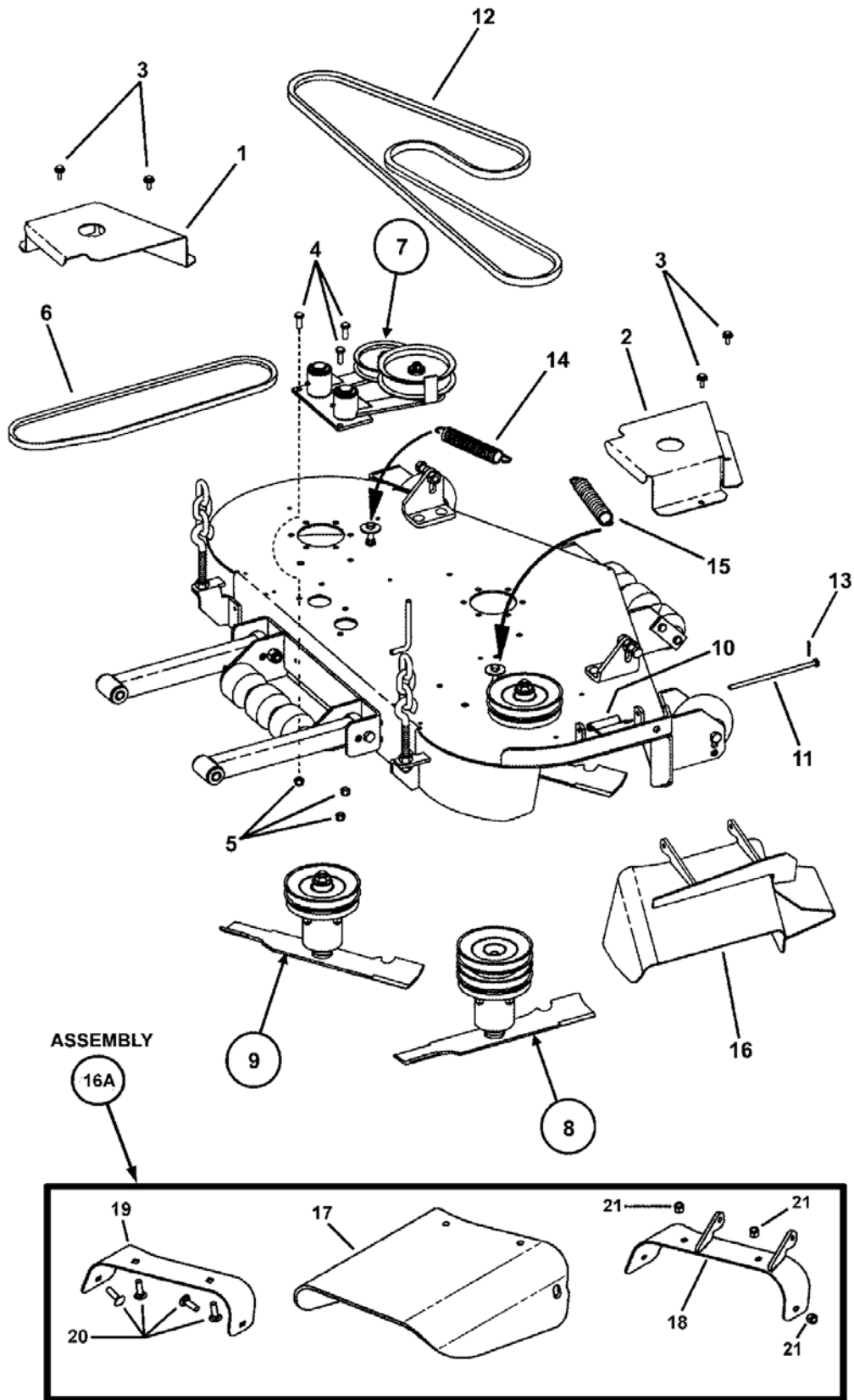


***NOTE: These fasteners are located inside the deck.**

Item	Part No	Qty	Description
1	7059374	1	WELDMENT, 52" Deck Deck Group 75584
2	7091305	2	SCREW, 3/8-16 x 2" Hex Head Cap, GR 5
3	7027327	1	WELDMENT Pivot Pin
4	7091304	2	SCREW, 3/8-16 x 1" Hex Head Cap, GR 5
5	7091299	8	NUT, 3/8-16 Hex Nyloc
6	7073142	6	ROLLER Low Density Polyethylene Was 79226
7	7027344	4	WASHER, 5/8" Flat SAE
8	7029264	4	GAUGE WHEEL, Polyethylene
9	7091640	12	BOLT, 3/8-16 x 1" Square Neck Carriage GR 5
10	7091316	8	NUT, 1/2-13 Hex, GR B
11	7090543	2	SCREW, 1/2-13 x 2" Hex Head Cap, GR 5
12	7029355	2	BOLT, 1/2-13 x 3-3/4" Hex Head Cap, GR 5
13	7091922	2	NUT, 1/2-13 Hex Light Nyloc
14	--	2	ASSEMBLY, Pusher Bar (Includes items 15-17)
15	7059108	1	WELDMENT, Pusher Bar
16	7029263	2	SLEEVE - Suspension
17	7029258	4	BUSHING - Suspension
18	7053562	2	ASSEMBLY, Chain & Eyebolt see Front Frame Assembly Pt. 2 page, item 22
19A	7075582	1	BRACKET, Front Deck Hanger R. H.
19B	7075583	1	BRACKET, Front Deck Hanger L. H.
20	7036456	4	SPACER, Gauge Wheel
21	7091822	4	BOLT, 1/2-13 x 5" Hex Head
22	7091922	4	NUT, 1/2-13 Hex Light Nyloc
23	7091331	2	WASHER, .406 x 1.50 x .120 Flat
24	7091619	2	NUT, 3/8-16 Hex Flange Lock
25	7074789	1	WHEEL BRACKET Front Right
26	7074790	1	WHEEL BRACKET Front Left

Footnotes:

52" CUTTING DECK ASSEMBLY PT.2

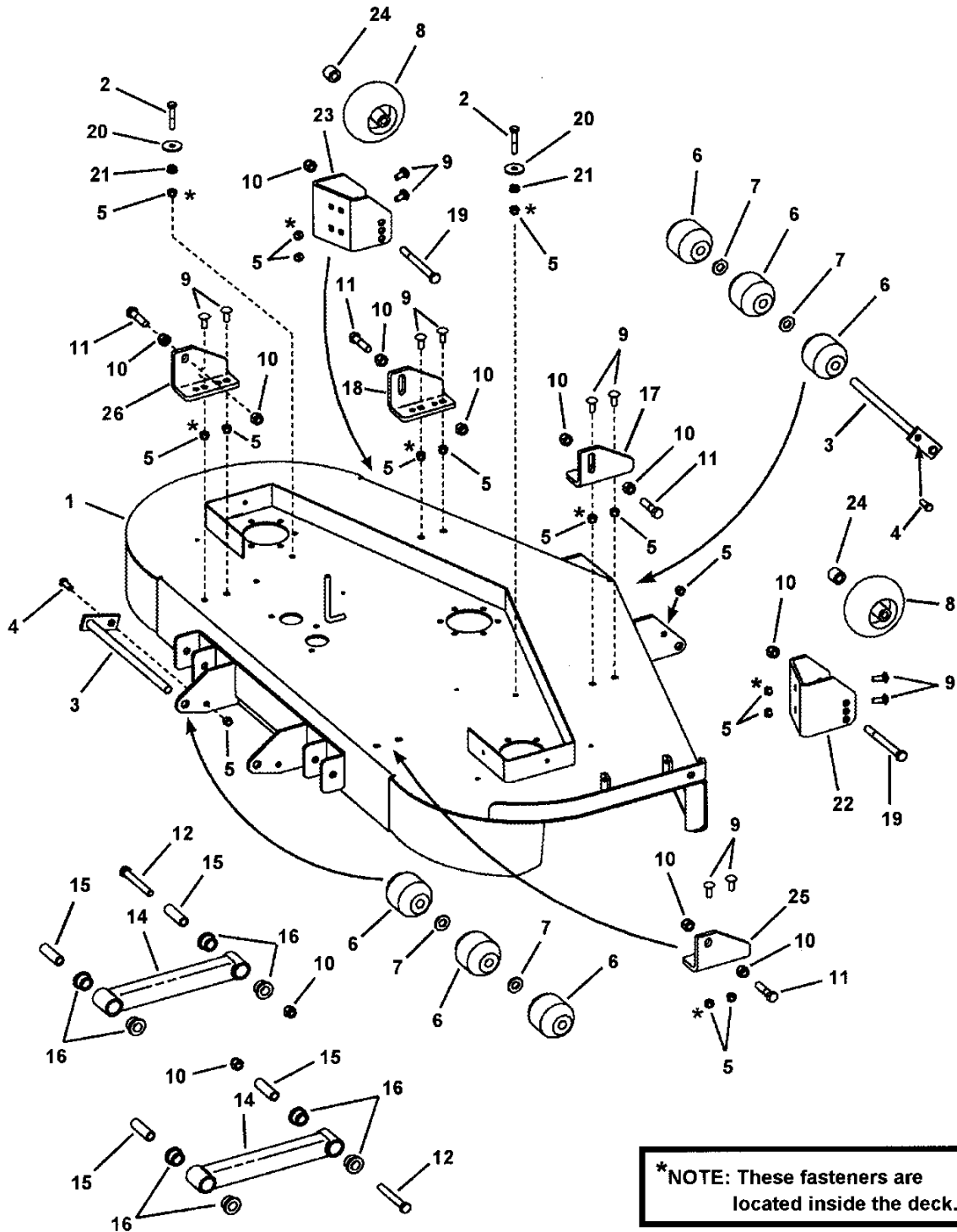


52" CUTTING DECK ASSEMBLY PT.2

Item	Part No	Qty	Description
1	7074571	1	BELT COVER, Left Hand
2	7074552	1	BELT COVER, Right Hand
3	7090361	4	SCREW, 5/16-18 x 5/8" Hex Washer Self-Tap
4	7091304	3	SCREW, 3/8-16 x 1" Hex Head Cap, GR 5
5	7091299	3	NUT, 3/8-16 Hex Nyloc
6	7075083	1	BELT, Primary (HB Section, 91.30" effective length)
7	--	1	ASSEMBLY, Idler (see breakdown on Idler Assy page)
8	--	1	ASSEMBLY, Center Spindle (dual pulley) (see breakdown on Deck Spindle Assy page)
9	--	2	ASSEMBLY, Spindle (single pulley) (see breakdown on Deck Spindle Assy page)
10	7027950	1	SPRING, Chute
11	7029277	1	PIN, Chute Hinge
12	7029266	1	V-BELT, Secondary - 52" (HB Section, 116.30" effective length)
13	7091313	1	PIN, 3/32 x 1" Cotter
14	7029278	1	SPRING, Idler (1.17" O.D. x 7.5" long)
15	7072915	1	SPRING, Idler Primary (1.25" O.D. x 10" long)
16	7044806	1	WELDMENT, Chute Deflector (52" Euro)(used on older models)
16A	--	1	ASSEMBLY, Discharge Chute, 52" Deck (used on newer models and can replace the steel version)(Not a part sale item) use items 17, 18, 19, 20 & 21
17	7100623	1	DEFLECTOR, 52" Chute (Rubber)
18	7400008	1	WELDMENT, 52" Discharge Chute
19	7300036	1	DEFLECTOR BOTTOM (52" Deck)
20	7091790	4	BOLT, 3/8-16 x 1-1/4" Square Neck Carriage, GR 5
21	5025096	4	NUT, 3/8-16 Hex Nyloc

Footnotes:

61" CUTTING DECK ASSEMBLY PT.1

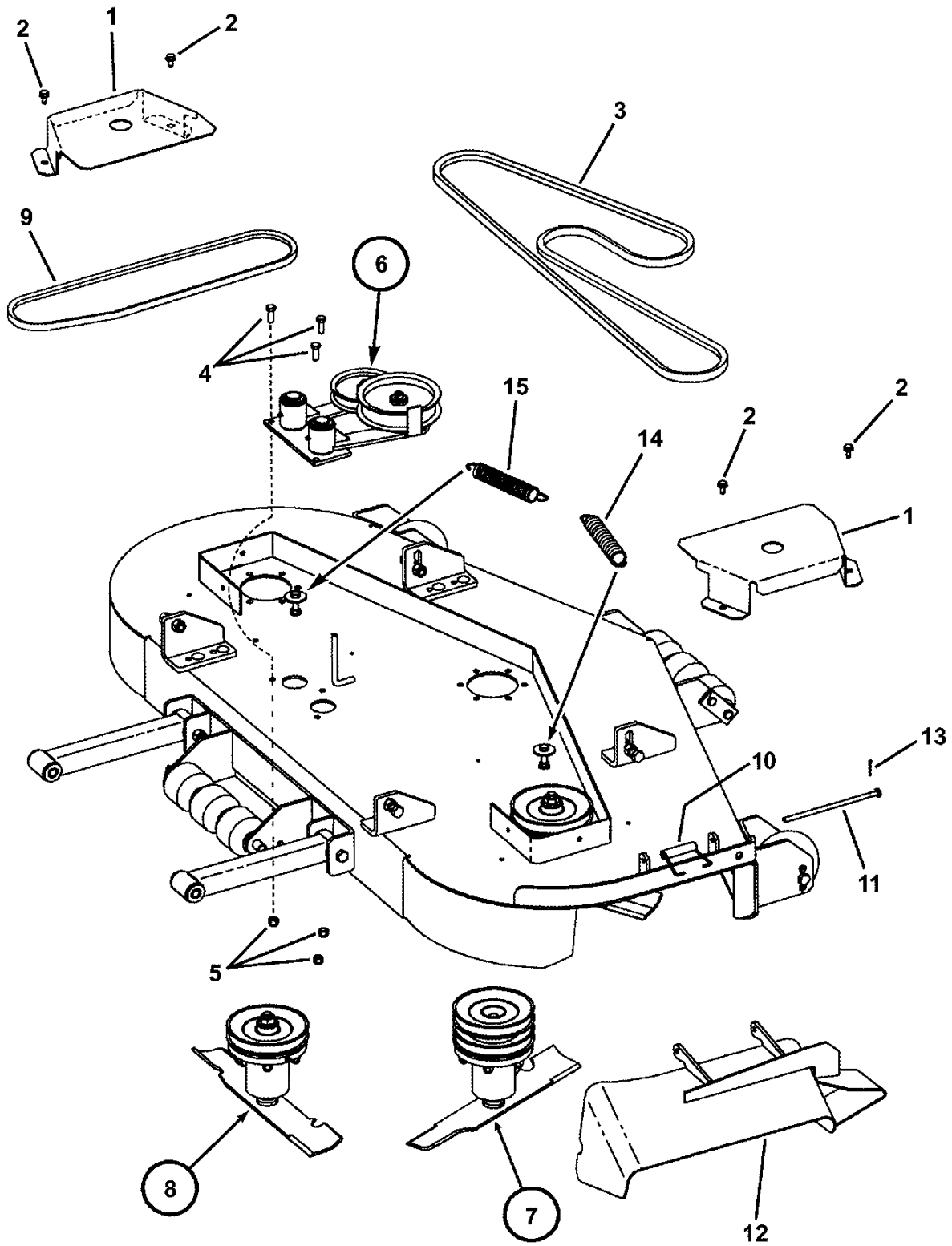


*NOTE: These fasteners are located inside the deck.

Item	Part No	Qty	Description
1	7044815	1	WELDMENT, 61" Deck
2	7091305	2	SCREW, 3/8-16 x 2" Hex Head Cap, GR 5
3	7027327	2	WELDMENT Pivot Pin
4	7091304	2	SCREW, 3/8-16 x 1" Hex Head Cap, GR 5
5	5025096	32	NUT, 3/8-16 Hex Nyloc or 7091299
6	7073142	6	ROLLER Low Density Polyethylene Was 79226
7	7027344	4	WASHER, 5/8" Flat SAE
8	7029264	2	GAUGE WHEEL, Polyethylene
9	7091640	8	BOLT, 3/8-16 x 1" Square Neck Carriage GR 5
10	7091922	6	NUT, 1/2-13 Hex Light Nyloc
11	7090543	4	SCREW, 1/2-13 x 2" Hex Head Cap, GR 5
12	7029355	2	BOLT, 1/2-13 x 3-3/4" Hex Head Cap, GR 5
13	--	2	ASSEMBLY, Pusher Bar (Includes items 14-16)
14	7044823	1	WELDMENT, Pusher Bar
15	7029263	2	SLEEVE - Suspension
16	7029258	4	BUSHING - Suspension
17	7075382	1	BRACKET, Deck Lift, RH Front
18	7075381	1	BRACKET, Deck Lift, LH Front
19	7091822	2	BOLT, 1/2-13 x 5" Hex Head
20	7091331	2	WASHER, .406 x 1.50 x .120 Flat
21	7091619	4	NUT, 3/8-16 Hex Flange Lock
22	7074789	1	WHEEL BRACKET Front Right
23	7074790	1	WHEEL BRACKET Front Left
24	7036456	2	SPACER, Gauge Wheel
25	7075781	1	BRACKET, Deck Lift, RH Rear
26	7075780	1	BRACKET, Deck Lift, LH Rear

Footnotes:

61" CUTTING DECK ASSEMBLY PT.2

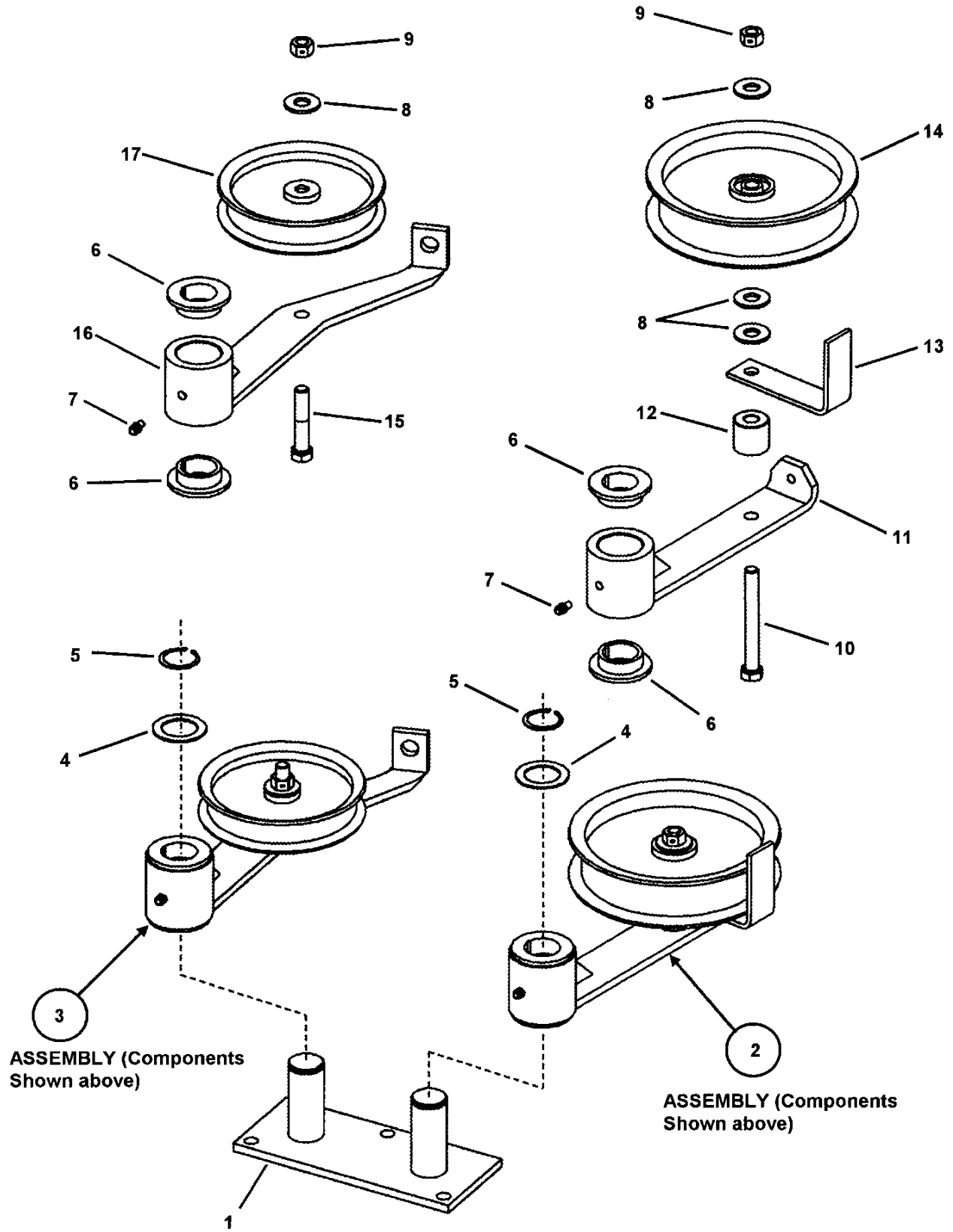


61" CUTTING DECK ASSEMBLY PT.2

Item	Part No	Qty	Description
1	7075384	2	BELT COVER
2	7090361	4	SCREW, 5/16-18 x 5/8" Hex Washer Self-Tap
3	7029268	1	V-BELT, Secondary- 61" (HB Section, 127.0" effective length)
4	7091304	3	SCREW, 3/8-16 x 1" Hex Head Cap, GR 5
5	5025096	3	NUT, 3/8-16 Hex Nyloc or 7091299
6	--	1	ASSEMBLY, Idler (see breakdown on Idler Assy page)
7	--	1	ASSEMBLY, Center Spindle (see breakdown on Deck Spindle Assy page)
8	--	2	ASSEMBLY, Spindle (see breakdown on Deck Spindle Assy page)
9	7071766	1	V-BELT, HB Sect. (nom. effective length 94.2") Engine to 61" Deck
10	7027950	1	SPRING, Chute
11	7029277	1	PIN, Chute Hinge
12	7058291	1	WELDMENT, Chute Deflector (61" Euro)
13	7091313	1	PIN, 3/32 x 1" Cotter
14	7072915	1	SPRING, Idler Primary (1.25" O.D. x 10" long)
15	7029278	1	SPRING, Idler (1.17" O.D. x 7.5" long)

Footnotes:

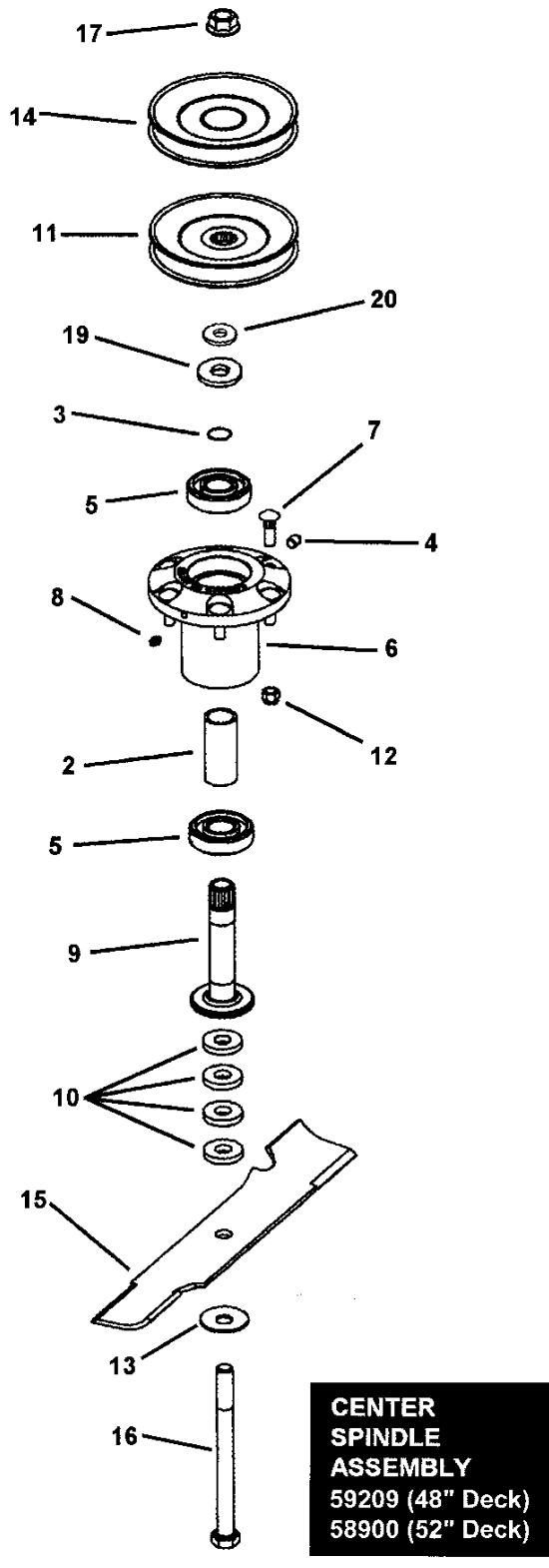
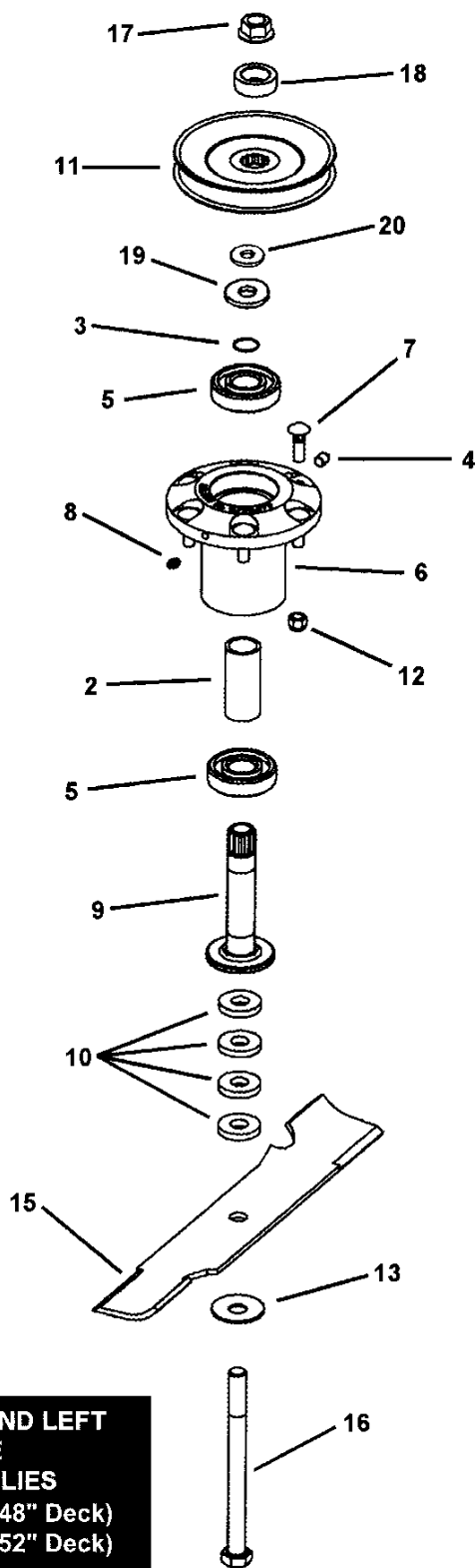
IDLER ASSEMBLIES (58885)



Item	Part No	Qty	Description
1	7058147	1	WELDMENT, Idler Plate
2	--	1	ASSEMBLY, Primary Idler Includes items 6 (2), 7, 8 (3), 9, 10, 11, 12, 13 & 14
3	--	1	ASSEMBLY, Secondary Idler Includes items 6 (2), 7, 8, 9, 15, 16 & 17
4	7023747	2	BUSHING, 1" Machine
5	7012709	2	RING, 1" External Retaining
6	7074720	2	BUSHING, Idler PM
7	7014669	1	FITTING, 3/16" Straight Lube
8	7090517	4	WASHER, 3/8" Flat
9	7091585	2	NUT, 3/8-16 Hex Center Lock, GR 5 or B
10	7027220	1	SCREW, 3/8-16 x 3-1/4" Hex Head Cap, GR 5
11	7058877	1	WELDMENT, Primary Idler Arm
12	7035657	1	BUSHING - Idler
13	7035656	1	RETAINER, Idler Belt
14	7034422	1	PULLEY, Flat Idler
15	7091553	1	SCREW, 3/8-16 x 1-3/4" Hex Head Cap GR 5
16	7058329	1	WELDMENT, Secondary Idler Arm
17	7029273	1	PULLEY, Idler

Footnotes:

DECK SPINDLE ASSEMBLIES



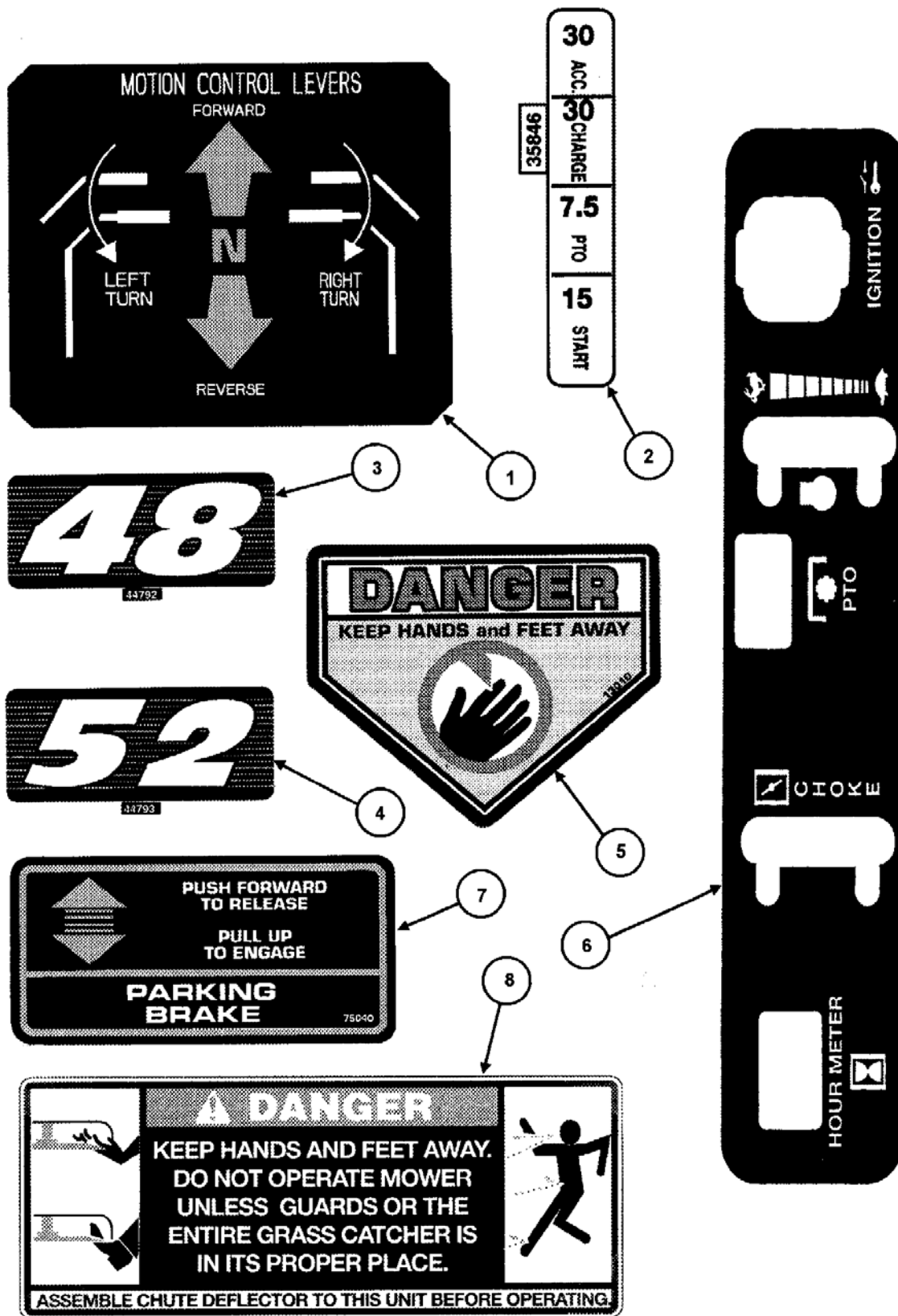
DECK SPINDLE ASSEMBLIES

Item	Part No	Qty	Description
	7054011	1	SUB-ASSEMBLY, Spindle (Incl. the 8 items below)
2	7029254	1	SPACER, Bearing
3	7029274	1	RING, Spindle Retaining
4	7029384	1	VENT, Spindle (Alemite # 321839)
5	7029422	2	BALL BEARING (2 per item 1, sub-assembly)
6	7058237	1	HOUSING, Spindle
7	7029302	6	BOLT, Ribbed (3/8-16 x 1-1/4" Thread) (6 per item 1, sub-assembly)
8	7076998	1	FITTING, Lube (1/4-28 Thread; Lincoln # 5042) or 29275 (Alemite #3038-B)
9	7059311	1	ASSEMBLY, Spindle Shaft components not sold separately
10	7029271	4	SPACER, Blade
11	7029245	1	PULLEY, 5-3/4" Diameter
12	7091299	6	NUT, 3/8-16 Hex Nyloc (6 per spindle assembly)
13	7016440	1	WASHER, Beveled
14	7075075	1	PULLEY, Driven (48" Deck only)
14	7075076	1	PULLEY, Driven (52" Deck only)
14	7029250	1	PULLEY, Driven (61" Deck only)
15	7075771	1	BLADE, 16-1/2" (48" Deck only)
15	7075751	3	BLADE, 18" Commercial w/Extra Cut (52" Deck only) replaces 29246
15	7075770	3	BLADE, 21" (for 61" Deck only)
16	7063234	1	BOLT, 5/8-11 x 7-1/2" Hex, Grade 5 blade bolt
17	7063237	1	NUT, 5/8-11 Hex Flange Lock, GR 5
18	7029270	1	WASHER, Spindle
19	7063238	1	SEAL, Nylos For Brg., Pre-Seal Kit (63240) installation, discard 3 & replace with 19 & 20.
20	7013370	1	WASHER For Brg., Pre-Seal Kit (63240) installation, discard 3 & replace with 19 & 20.

Footnotes:

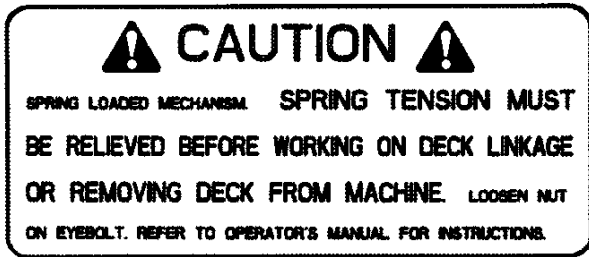
A casting assembly (58237) is available, which includes the housing & 6 press-in bolts as well as a vent (29384) & grease fitting (29275).

NOTE: Spindle Casting Assy (p/n 54017) is made of one item 6 with item 7 (six each) pressed in.

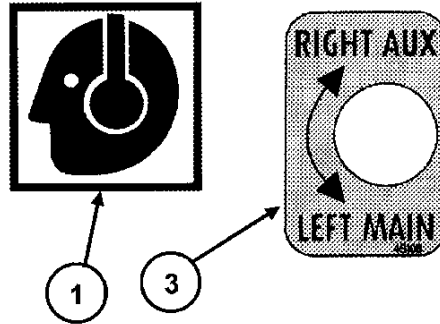


Item	Part No	Qty	Description
1	7075039	1	DECAL, Motion Control Levers
2	7035846	1	DECAL, Fuse
3	7075565	1	DECAL, 48" Deck, Silver
4	7075566	1	DECAL, 52" Deck, Silver
--	7075567	1	DECAL, 61" Deck, Silver not shown
5	7013010	1	DECAL, Danger, Cut Finger (CPSC)
6	7075756	1	DECAL, Control Panel, NZM
7	7075040	1	DECAL, Park Brake
8	7073647	2	DECAL, Danger- Guard Catcher

Footnotes:

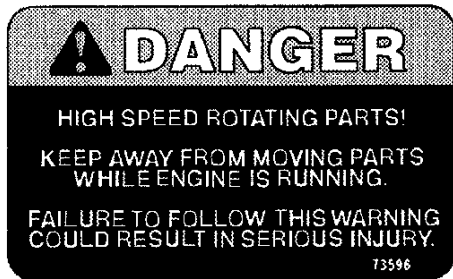


6

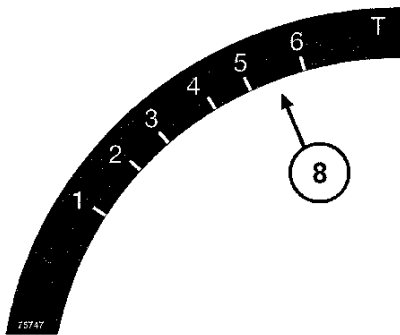


1

3



4



8



7

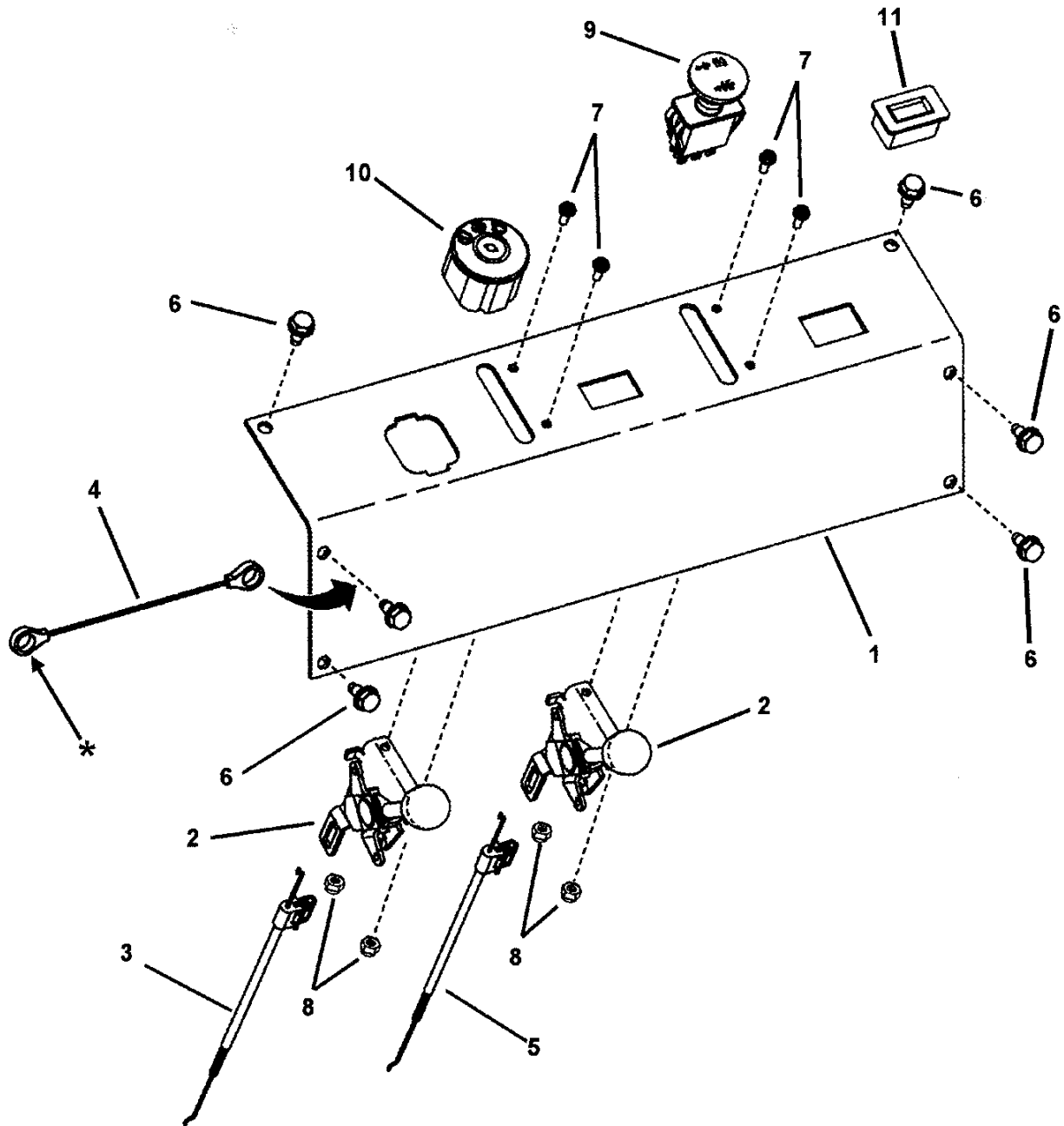
5



Item	Part No	Qty	Description
1	7027733	1	DECAL, Ear Protection
2	7029470	1	DECAL, Patent Numbers not shown
3	7045108	1	DECAL, Tank Selector, MMZ
4	7073596	1	DECAL, Danger- High Speed Rotating Parts
5	7074862	2	DECAL, SNAPPER PRO
6	7075296	1	DECAL, Caution (Spring Mechanism)
7	7075433	1	DECAL, Reservoir Oil Level
8	7075747	1	DECAL, Detent

Footnotes:

CONTROL PANEL ASSEMBLY



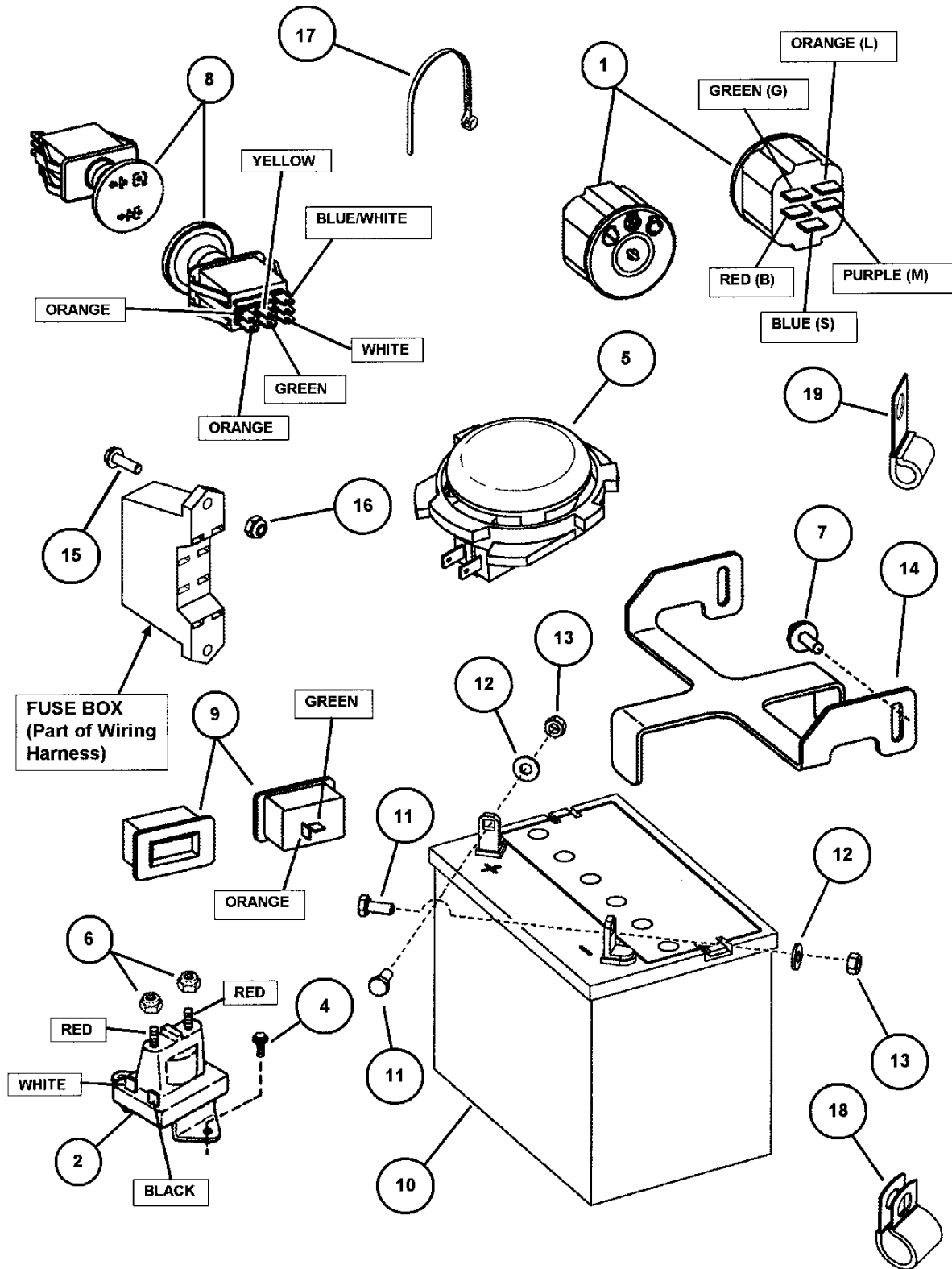
***NOTE:** Item 4 is used to keep the roll pin from being lost. Ref. Front Frame Assembly, Pt. 1 page, item 22.

CONTROL PANEL ASSEMBLY

Item	Part No	Qty	Description
1	7074676	1	CONTROL PANEL
2	7074801	2	CONTROL LEVER, Throttle/Choke
3	7074804	1	CONTROL CABLE, Throttle
4	7075086	1	STRAP, Tether
5	7075046	1	CONTROL CABLE, Choke
6	7090361	9	SCREW, 5/16-18 x 5/8" Hex Washer Self-Tap
7	7091240	2	SCREW, #10-32 x 5/8" Hex Washer Self-Tap Note: also shown on the Electrical Components page.
8	7090376	2	NUT, #10-32 Nyloc Note: also shown on the Electrical Components page.
9	7075132	1	SWITCH, PTO, Yellow Note: also shown on the Electrical Components page.
10	7072684	1	SWITCH, Ignition Note: also shown on the Electrical Components page.
11	7074796	1	HOUR METER w/Flash Alerts Note: also shown on the Electrical Components page.

Footnotes:

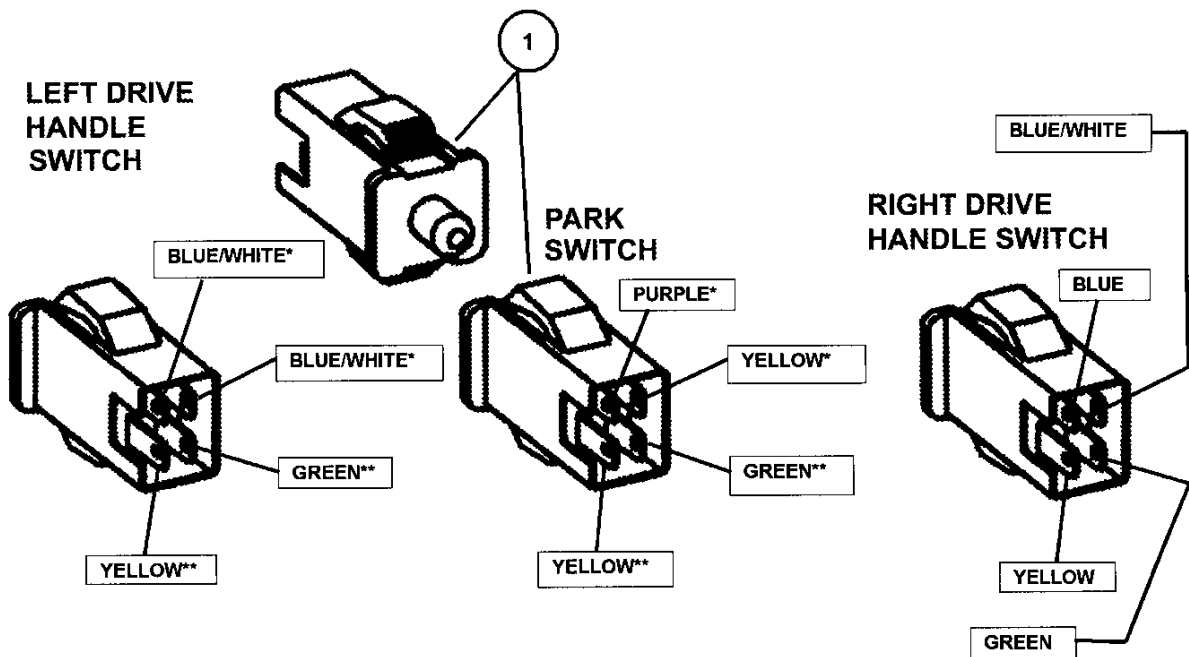
ELECTRICAL COMPONENTS (except wiring) PT.1



ELECTRICAL COMPONENTS (except wiring) PT.1

Item	Part No	Qty	Description
1	7072684	1	SWITCH, Ignition
2	7075622	1	SOLENOID, Super Trombetta vendor p/n 762-1221-210
3	7073406	1	KEY SET (not shown) qty. 2 keys per set
4	7091122	2	SCREW, 1/4-20 x 1/2" Hex Washer Self-Tap Was 90539 or 91122
5	7023354	1	SWITCH, Seat, NC
6	7091603	3	NUT, 1/4-20 Hex Nyloc
7	7090741	1	SCREW, 1/4-20 x 5/8" Hex Head Self-Tap Was 91016 (w/loose washer)
8	7075132	1	SWITCH, PTO, Yellow
9	7074796	1	HOUR METER w/Flash Alerts Sendec Corp. Model No. 804-204
10	7075911	1	BATTERY, 11 Plate 375CCA- Wet
11	7090072	2	SCREW, 1/4-20 x 5/8" Hex Head Cap GR 5
12	7091294	2	WASHER, 1/4" Flat
13	7090372	2	NUT, 1/4-20 Hex Center Lock
14	7074809	1	BRACKET, Battery Hold-Down
15	7091240	2	SCREW, #10-32 x 5/8" Hex Washer Self-Tap
16	7090376	2	NUT, #10-32 Hex Nyloc
17	7012080	15	CABLE TIE, 7" Long (not shown)
18	7015861	1	CLIP, Harness
19	7035638	1	CLIP, Open 3/8" Cushioned shown on Rear Frame & Tank Bracket page & Seat Assembly page

Footnotes:

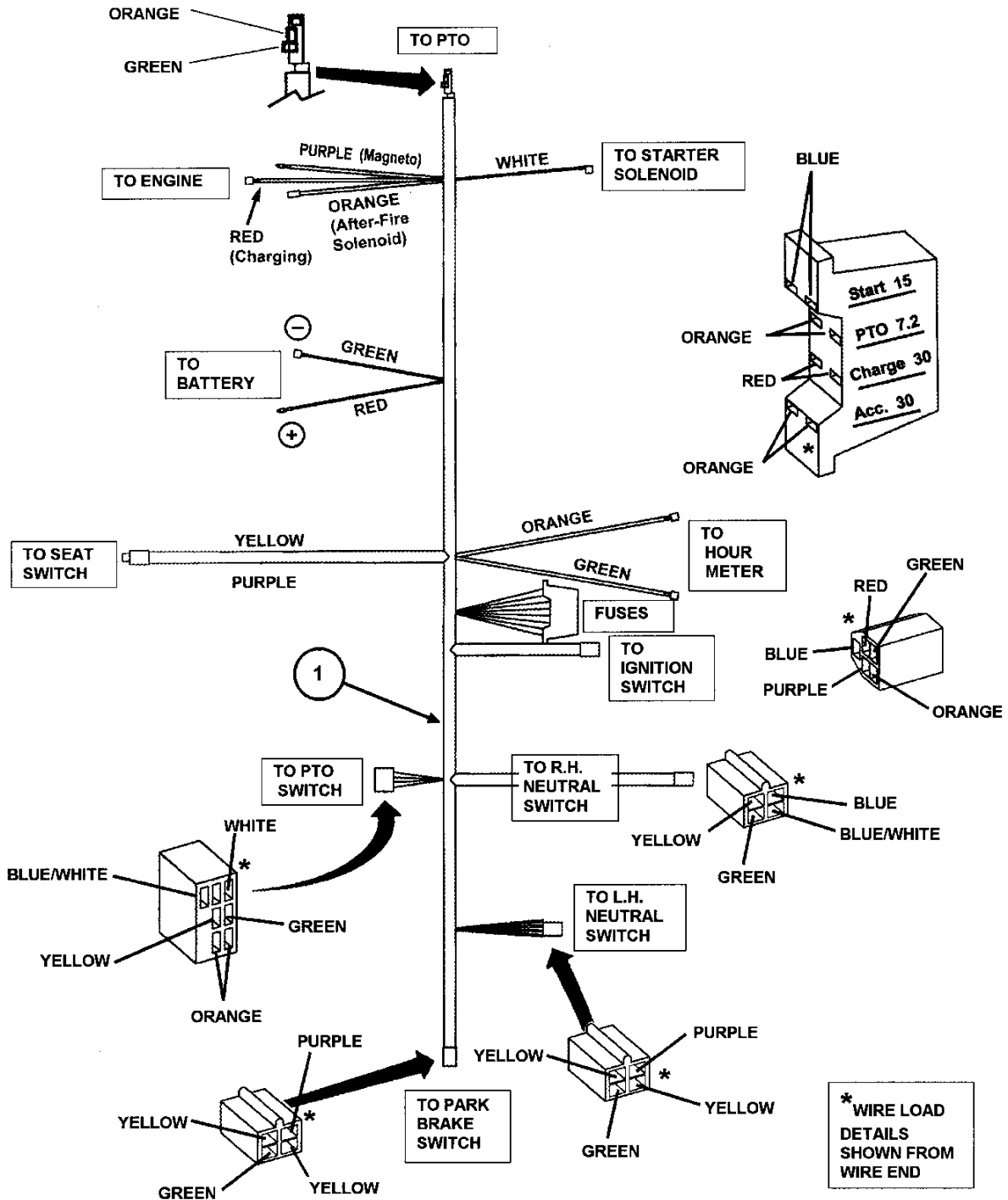


ELECTRICAL COMPONENTS (except wiring) PT.2

Item	Part No	Qty	Description
1	7022886	3	SWITCH, DP NO/NC Snap-In

Footnotes:

WIRING HARNESS (Kawasaki Engines)

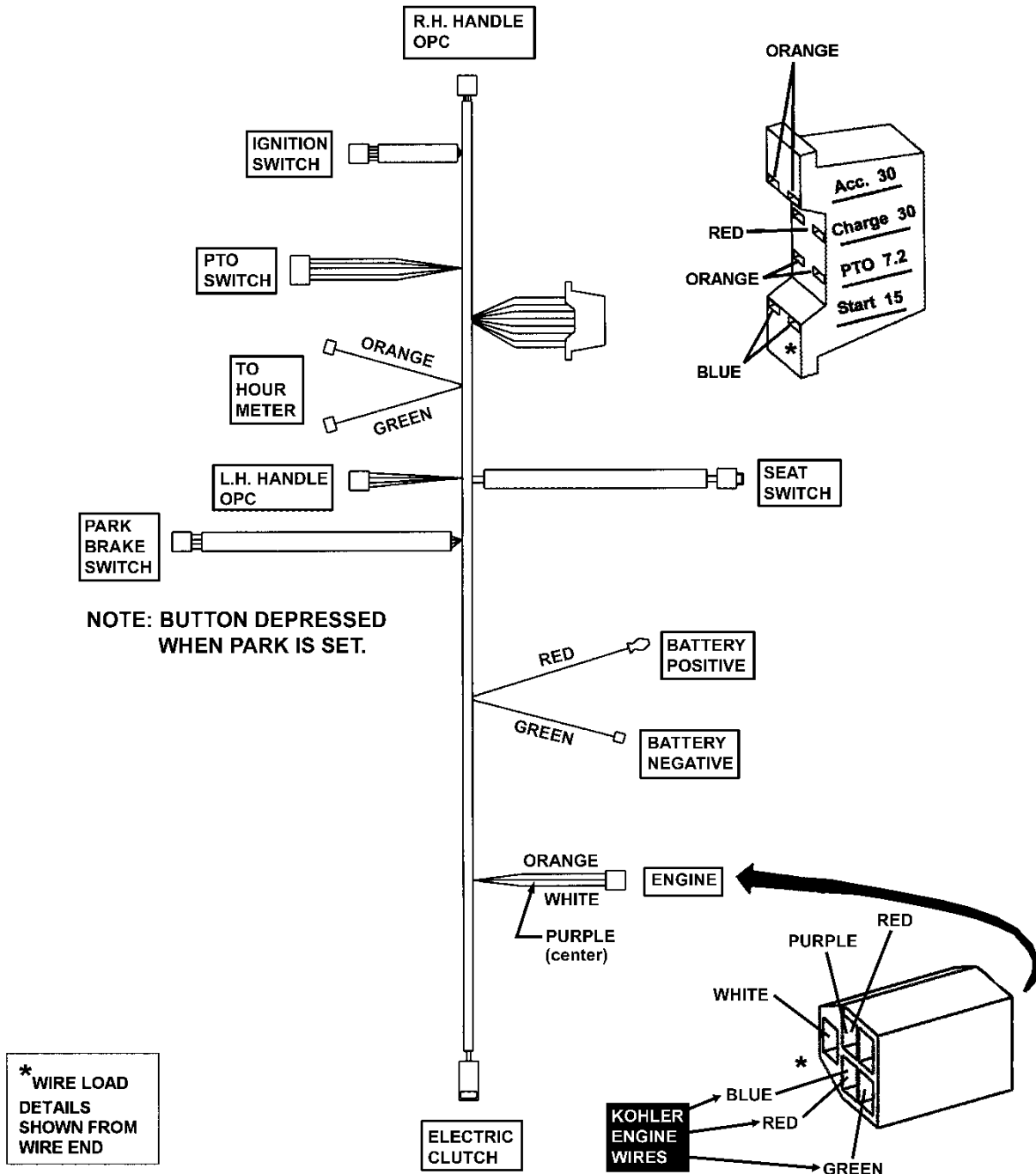


WIRING HARNESS (Kawasaki Engines)

Item	Part No	Qty	Description
1	7074795	1	HARNESS, Wiring
2	7075038	1	CABLE, Battery- Positive (6 Gage, 34" long) not shown
3	7035609	1	CABLE, Battery- Ground (6 Gage/14 Gage, 23" long) not shown
4	7075602	1	CABLE, Solenoid to Starter (6 Gage, 10" long) not shown
5	7075091	1	WIRE, Solenoid- Ground (10 Gage, 6-1/2" long) not shown

Footnotes:

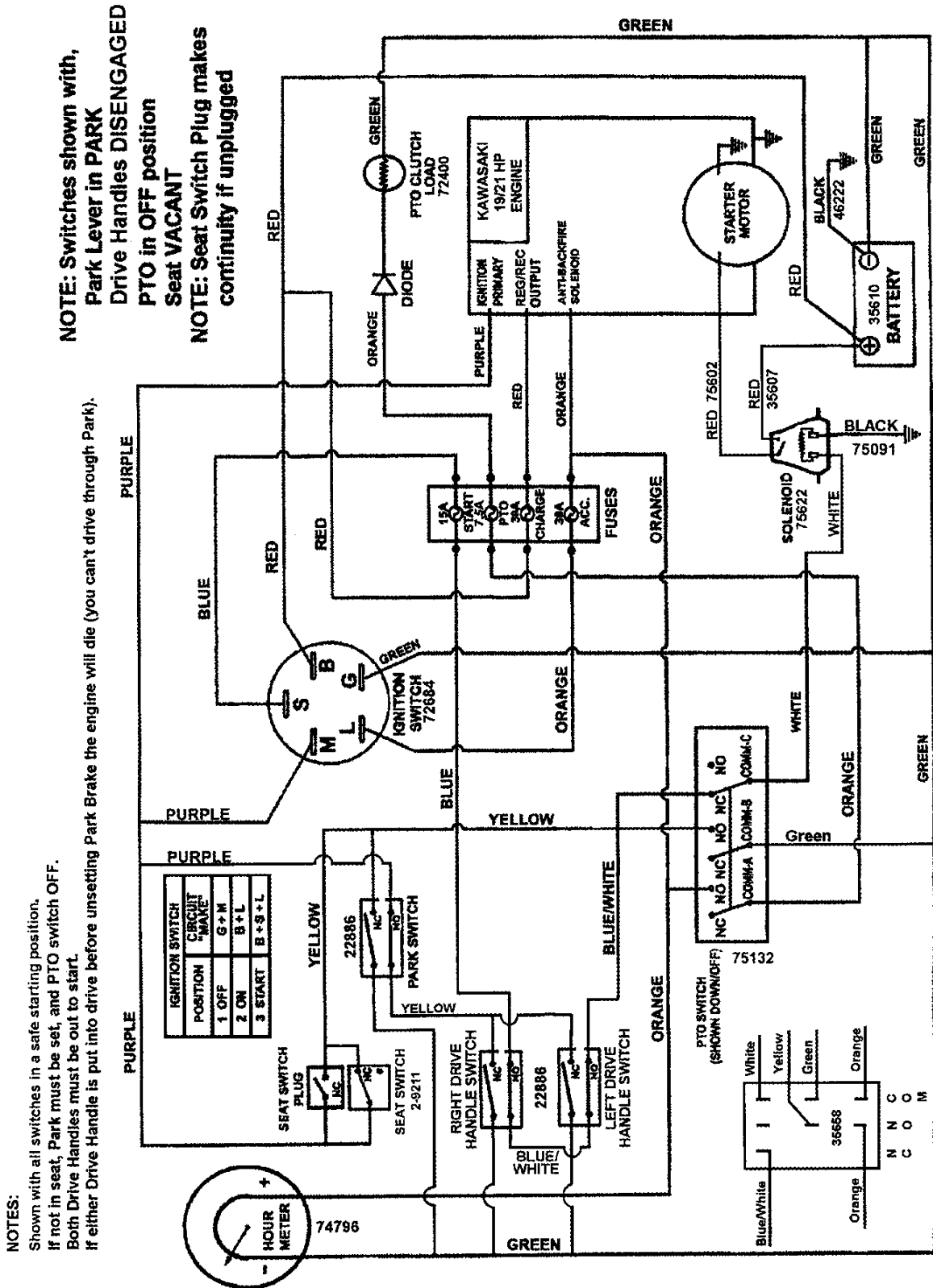
WIRING HARNESS (Kohler Engines)



WIRING HARNESS (Kohler Engines)

Item	Part No	Qty	Description
1	7029337	1	WIRE HARNESS, Kohler/Twin
2	7075038	1	CABLE, Battery- Positive (6 Gage, 34" long) not shown
3	7035609	1	CABLE, Battery- Ground (6 Gage/14 Gage, 23" long) not shown

Footnotes:



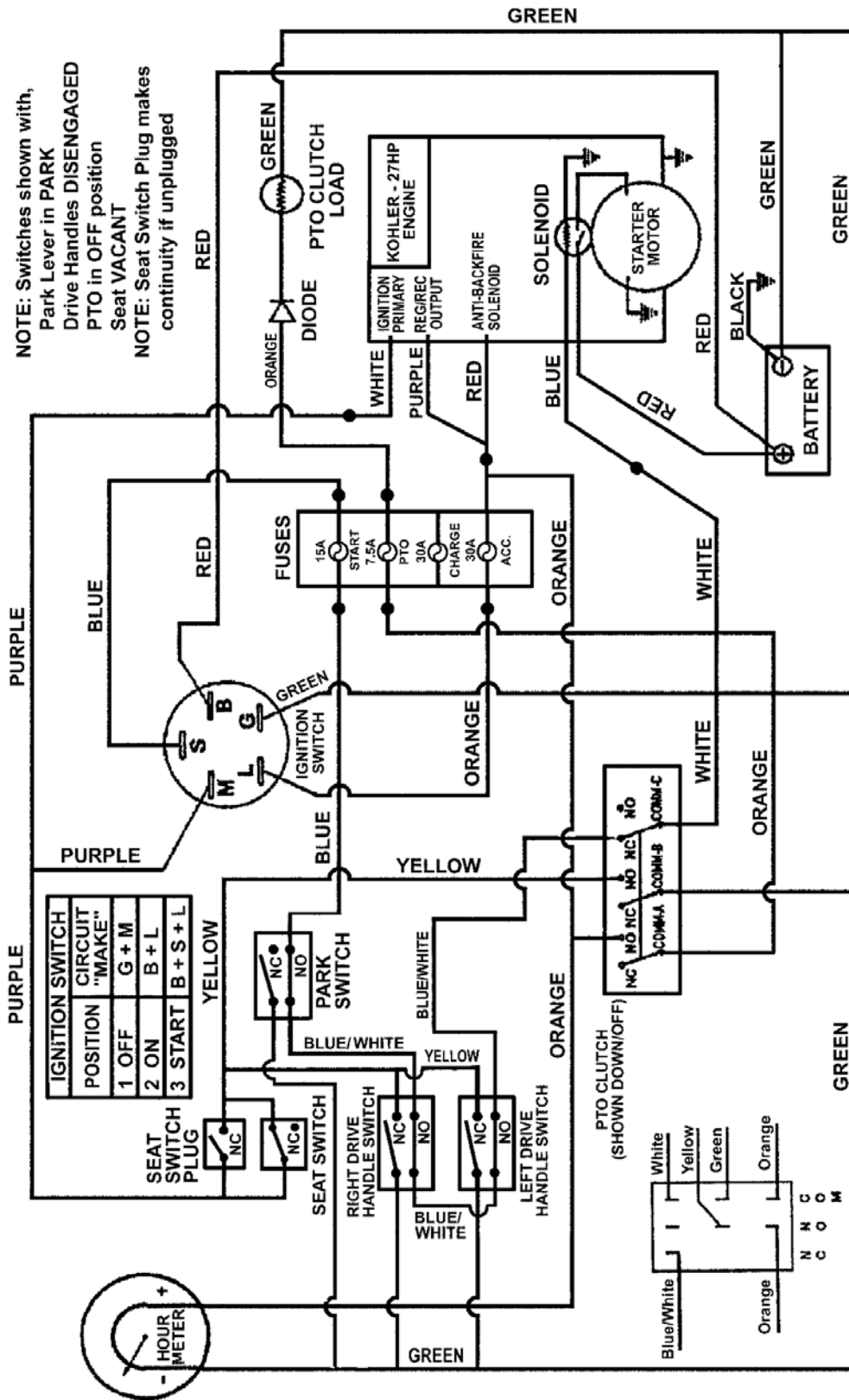
SCHEMATIC - WIRING HARNESS P.N. 74795

WIRING SCHEMATIC (Kawasaki Engines)

Item	Part No	Qty	Description
1	7074795	1	HARNESS, Wiring

Footnotes:

WIRING SCHEMATIC (Kohler Engines)



SCHEMATIC - WIRING HARNESS P.N. 29337

WIRING SCHEMATIC (Kohler Engines)

Item	Part No	Qty	Description
1	7029337	1	HARNESS, Wiring, Kohler/Twin

Footnotes:

Hardware Identification & Torque Specifications

Torque Specification Chart FOR STANDARD METRIC MACHINE HARDWARE (Tolerance ± 20%)								
Property Class	5.6 Class 5.6		8.8 Class 8.8		10.9 Class 10.9		12.9 Class 12.9	
	in/lbs ft/lbs	Nm.	in/lbs ft/lbs	Nm.	in/lbs ft/lbs	Nm.	in/lbs ft/lbs	Nm.
M3	5.88	.56	13.44	1.28	19.2	1.80	22.92	2.15
M4	13.44	1.28	30.72	2.90	43.44	4.10	52.56	4.95
M5	26.4	2.50	60.96	5.75	5.97	8.10	7.15	9.7
M6	44.64	4.3	7.3	9.9	10.3	14	12.1	16.5
M7	5.2	7.1	12.1	16.5	16.9	23	19.9	27
M8	7.7	10.5	17.7	24	25	34	29	40
M10	15	21	35	48	50	67	59	81
M12	26	36	61	83	86.2	117	103	140
M14	42	58	101	132	136	185	162	220
M16	64	88	147	200	210	285	250	340
M18	89	121	202	275	287	390	346	470
M20	126	171	290	390	405	550	486	660
M22	169	230	390	530	559	745	656	890
M24	217	295	497	375	708	960	840	1140
M27	320	435	733	995	1032	1400	1239	1680
M30	435	590	995	1350	1401	1900	1681	2280
M33	590	800	1349	1830	1902	2580	2278	3090
M36	759	1030	1740	2360	2441	3310	2935	3980
M39	988	1340	2249	3050	3163	4290	3798	5150

Torque Specification Chart FOR STANDARD MACHINE HARDWARE (Tolerance ± 20%)						
Hardware Grade	No Marks SAE Grade 2		SAE Grade 5		SAE Grade 8	
	in/lbs ft/lbs	Nm.	in/lbs ft/lbs	Nm.	in/lbs ft/lbs	Nm.
8-32	19	2.1	30	3.4	41	4.6
8-36	20	2.3	31	3.5	43	4.9
10-24	27	3.1	43	4.9	60	6.8
10-32	31	3.5	49	5.5	68	7.7
1/4-20	66	7.6	8	10.9	12	16.3
1/4-28	76	8.6	10	13.6	14	19.0
5/16-18	11	15.0	17	23.1	25	34.0
5/16-24	12	16.3	19	25.8	29	34.0
3/8-16	20	27.2	30	40.8	45	61.2
3/8-24	23	31.3	35	47.6	50	68.0
7/16-14	30	40.8	50	68.0	70	95.2
7/16-20	35	47.6	55	74.8	80	108.8
1/2-13	50	68.0	75	102.0	110	149.6
1/2-20	55	74.8	90	122.4	120	163.2
9/16-12	65	88.4	110	149.6	150	204.0
9/16-18	75	102.0	120	163.2	170	231.2
5/8-11	90	122.4	150	204.0	220	299.2
5/8-18	100	136	180	244.8	240	326.4
3/4-10	160	217.6	260	353.6	386	525.0
3/4-16	180	244.8	300	408.0	420	571.2
7/8-9	140	190.4	400	544.0	600	816.0
7/8-14	155	210.8	440	598.4	660	897.6
1-8	220	299.2	580	788.8	900	1,244.0
1-12	240	326.4	640	870.4	1,000	1,360.0

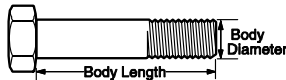
The guides and ruler furnished below are designed to help you select the appropriate hardware.



Nut, M8

Thread Diameter (mm)
Inside Diameter (in) Threads per inch

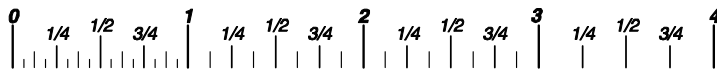
Nut, 1/2-16



Screw, M8- 1.25 x 25

Thread Diameter (mm) Distance between threads (mm) Body Length (mm)
Body Diameter Threads per inch Body Length (in)

Screw, 1/2- 16 x 2



Standard Hardware Sizing

When a washer or nut is identified as 1/2" (M8), this is the *Nominal size*, meaning the *inside diameter* is 1/2 inch (8mm metric thread diameter); if a second number is present it represents the *threads per inch* (distance between threads).

When bolt or capscrew is identified as 1/2 - 16 x 2" (M8 - 1.25 x 50), this means the *Nominal size*, or body diameter is 1/2 inch (8mm metric thread diameter), the second number, 16, represents the *threads per inch*, (1.25 thread diameter). The final number is the body length of the bolt or screw, 2 inches (50mm).

NOTES

- These torque values are to be used for all hardware excluding: locknuts, self-tapping screws, thread forming screws, sheet metal screws and socket head setscrews.
- Recommended seating torque values for locknuts:
 - for prevailing torque locknuts - use 65% of grade 5 torques.
 - for flange whizlock nuts and screws - use 135% of grade 5 torques.
- Unless otherwise noted on assembly drawings, all torque values must meet this specification.

Common Hardware Types

Hex Head Capscrew



Washer

Carriage Bolt



Lockwasher



Hex Nut

Wrench & Fastener Size Guide

1/4" Bolt or Nut Wrench—7/16"	5/16" Bolt or Nut Wrench—1/2"	3/8" Bolt or Nut Wrench—9/16"	7/16" Bolt or Nut Wrench (Bolt)—5/8" Wrench (Nut)—11/16"	1/2" Bolt or Nut Wrench—3/4"
M6 Bolt or Nut Wrench—10mm	M8 Bolt or Nut Wrench—13mm	M10 Bolt or Nut Wrench—17mm	M12 Bolt or Nut Wrench—19mm	M14 Bolt or Nut Wrench—22mm

Parts Manual for

SNAPPER®

**MID MOUNT Z-RIDER
ZERO TURNING HYDRO DRIVE
SERIES 2**

IT IS THE POLICY OF BRIGGS & STRATTON CORP TO IMPROVE ITS PRODUCTS WHENEVER IT IS POSSIBLE AND PRACTICAL TO DO SO. WE RESERVE THE RIGHT TO MAKE CHANGES OR ADD IMPROVEMENTS AT ANY TIME WITHOUT INCURRING ANY OBLIGATION TO MAKE SUCH CHANGES ON PRODUCTS

Briggs & Stratton Yard Power Products Group

535 Macon Road
McDonough, GA, 30253 U.S.A.
800-935-2967

www.snapper.com

Copyright © 2013 Briggs & Stratton Corporation
Milwaukee, WI USA. All Rights Reserved

**Manual No. 7006934
Revision: D 9/17/2013**