

Parts Manual for

SNAPPER®

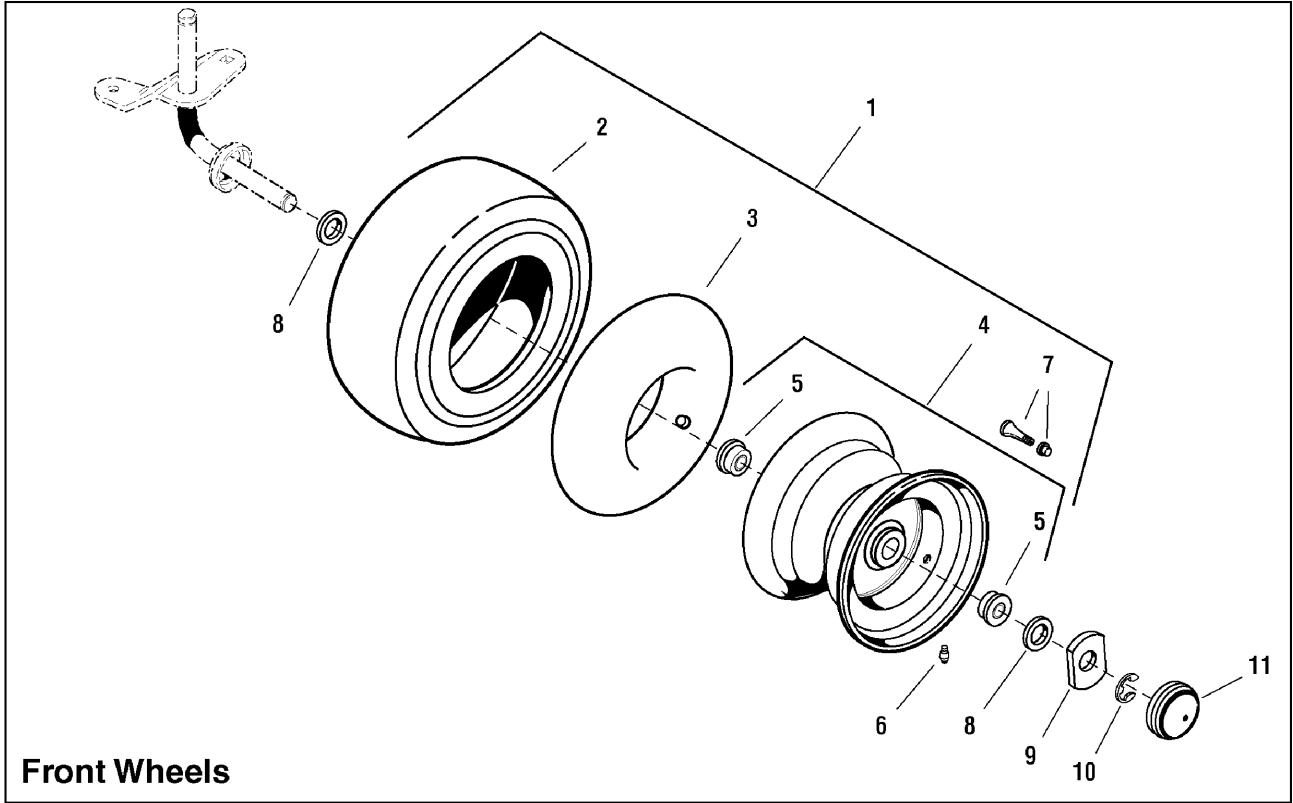
ELECTRIC CLUTCH HYDRO DRIVE RMO TRACTORS LT-200 SERIES



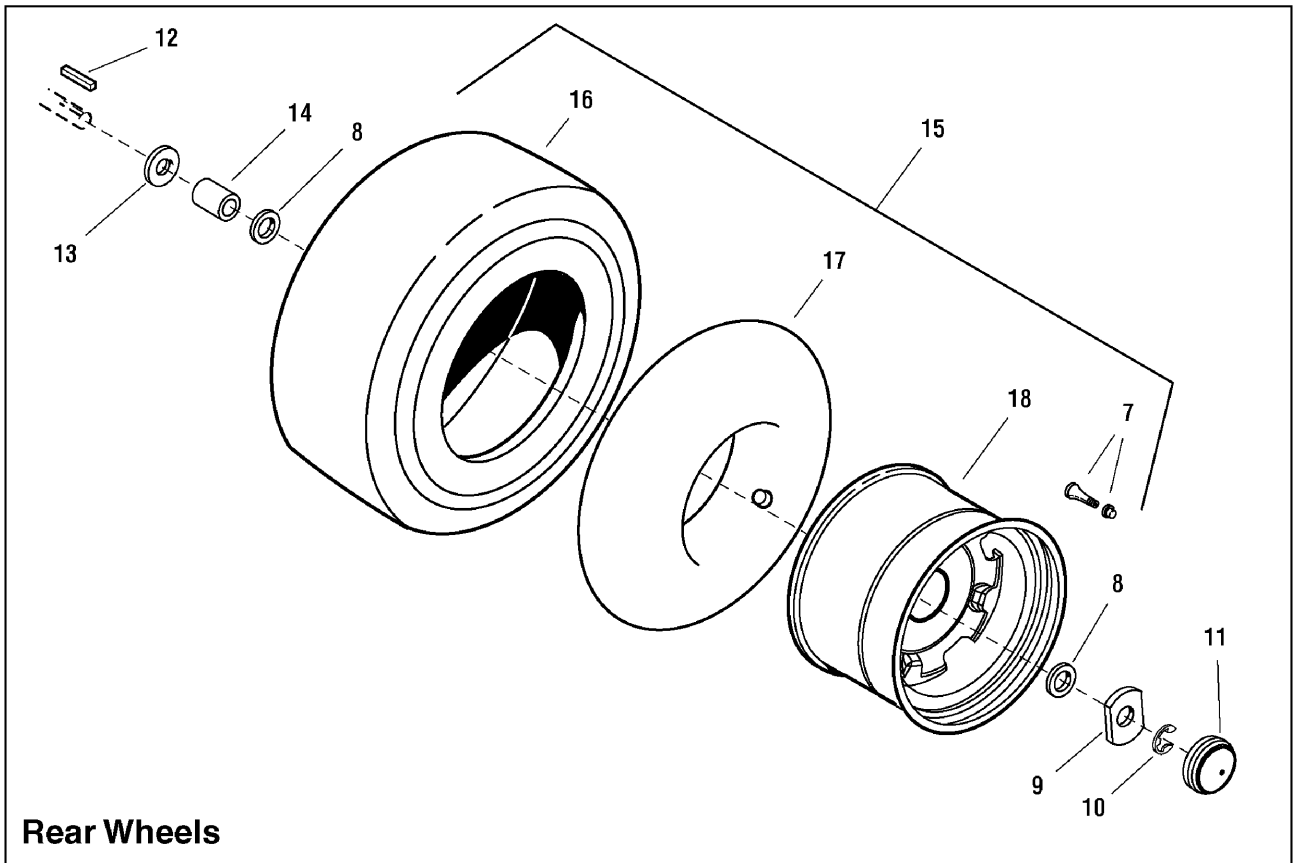
MODEL
ELT18538 (2690497)
ELT2044 (2690498)
LT18538 (2690440)
LT18500 (2690518)
LT2042 (2690441)
LT2044 (2690442)
LT22500 (2690443)

SNAPPER® McDonough, GA, 30253 U.S.A.

PAGE	GROUP
4	Wheels & Tires Group
6	Frame & Front Axle Group
8	Steering Group
10	Transmission Group
12	Controls Group
14	Engine & Electric Clutch Group, 38" & 42"
18	Engine & Electric Clutch Group, 44" & 50"
22	Hood, Grille & Dash Group
24	Seat Deck & Fuel Tank Group
26	Electrical Group
30	Lift Group - Manual
32	38" & 42" Mower Deck - Belt, Idler Arm & Hitch Group
34	38" & 42" Mower Deck - Height Adjustment & Roller Bar Group
36	38" & 42" Mower Deck - Housing, Arbors & Blades Group
38	44" & 50" Mower Deck - Belt, Idler Arm & Hitch Group
40	44" & 50" Mower Deck - Height Adjustment & Roller Bar Group
42	44" Mower Deck - Housing, Arbors & Blades Group
46	50" Mower Deck - Housing, Arbors & Blades Group
50	Decals Group
52	Wiring Schematic (1728097)



Front Wheels



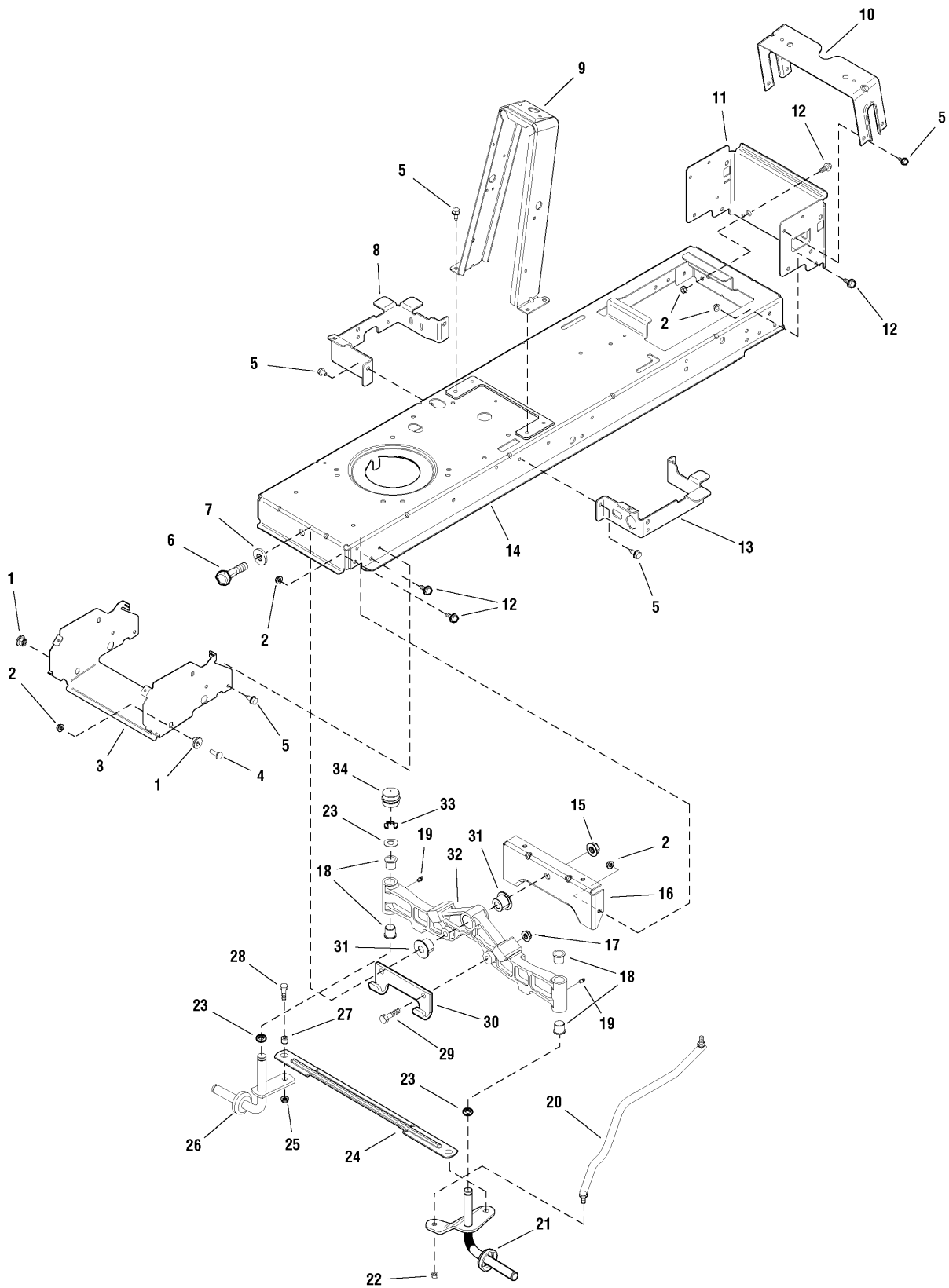
Rear Wheels

Wheels & Tires Group

Item	Part No	Qty	Description	Note
1	1729708	2	WHEEL & TIRE ASSEMBLY, Front	
2	1731951	1	TIRE, Turf 15 X 6.00 - 6 Saver TL	
3	1664090	1	TUBE, Tire, Front	
4	1726301	1	WHEEL & BUSHINGS ASSEMBLY, Front	
5	1713167	4	BEARING	
6	2812808	1	FITTING, Grease, 1/4-28 Thread	
7	2172353	2	VALVE STEM & CAP	
8	1960160	8	WASHER, 3/4	
9	1722717	4	WASHER, Special Yellow	
10	2827794	4	RING, Retaining	
11	1722676	4	CAP, Hub	
12	1713409	2	KEY, 3/16 x 3/16 x 3	
13	2860202	2	WASHER	
14	1730181	2	SPACER, 0.77 ID x 1-1/4 OD x 1.65 LG Powdered Metal Black	
15	1729709	2	WHEEL & TIRE ASSEMBLY, Rear 20"	
15	1729710	2	WHEEL & TIRE ASSEMBLY, Rear 22"	
16	1731952	1	TIRE, Turf 22 X 8.00 - 8 Saver TL	
16	1731953	1	TIRE, Turf 22 X 10.00 - 8 Saver TL	
17	2164247	1	TUBE, Tire, Rear, 22 X 8 - 8	
17	2173477	1	TUBE, Tire, Rear, 22 X 10 - 8	
18	1731954	1	WHEEL, Hub	

Footnotes:

Frame & Front Axle Group

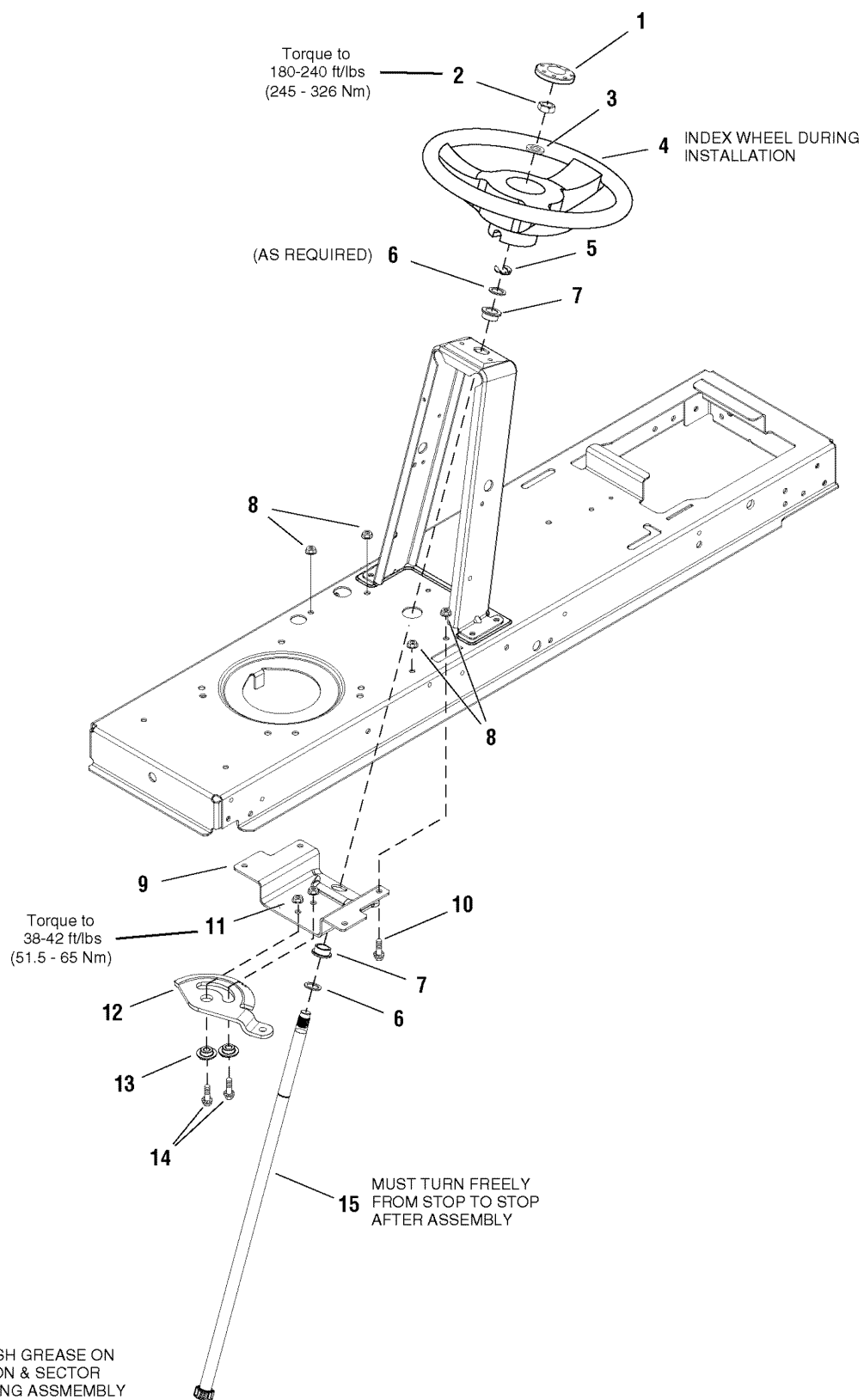


Frame & Front Axle Group

Item	Part No	Qty	Description	Note
1	1728086	2	PIVOT, Hood Powdered Metal	
2	1931277	16	NUT, Hex, Flange Whizlock, 5/16-18	
3	1727982A	1	SUPPORT, Muffler, Hood 14GA	
4	1931335	2	CARRIAGE BOLT, 5/16-18 x 1	
5	1930601	14	SCREW, Taptite, 5/16-18 x 5/8	
6	2860744	1	CAPSCREW, Hex Head, 5/8-11 x 3-1/4 G5	
7	1960035	1	WASHER, Flat, 5/8	
8	1727904A	1	SUPPORT, Front Footrest RH	
9	1727260A	1	TOWER, 12GA	
10	1731310A	1	SUPPORT, Seat Deck 12GA	
11	1731309A	1	SUPPORT, Rear Frame 12GA	
12	1930591	14	CAPSCREW, Hex Head, Flange Whiz Lock, 5/16-18 x 3/4	
13	1727905A	1	SUPPORT, Front Footrest LH	
14	1727901A	1	FRAME, 12GA	
15	2860646	1	NUT, Hex Flange Two-Way Lock, 5/8-11	
16	1727902A	1	PLATE, Axle Support	
17	1930650	2	LOCKNUT, Hex, Flange, 7/16-14	
18	2176440	4	BUSHING, Nylon, 3/4 Diameter	
19	1704214	3	FITTING, Zerk	
20	1727868	1	LINK, Drag	
21	1727873A	1	SPINDLE & ARM ASSEMBLY, LH	
22	1960747	2	NUT, Hex Nylock 3/8-24	
23	1960160	4	WASHER, 3/4	
24	1728080A	1	ROD, Tie	
25	1930645	2	NUT, Hex, Flange, Locking, 3/8-16	
26	1727872A	1	SPINDLE & CUP ASSEMBLY, RH	
27	1731912	2	BUSHING, Powdered Metal	
28	1960032	2	CAPSCREW, Hex Head, 3/8-16 x 1-1/4, .141 Thread G5	
29	1927531	2	CAPSCREW, 7/16-14 x 2	
30	1721918A	1	HOOK, "J"	
31	1730186	2	BUSHING, Axle Pivot Powdered Metal	
32	1728018	1	AXLE, Front Iron Casting Machined	
33	1611710	2	RING, Klipring Extension	
34	1726504	2	CAP, Hub	

Footnotes:

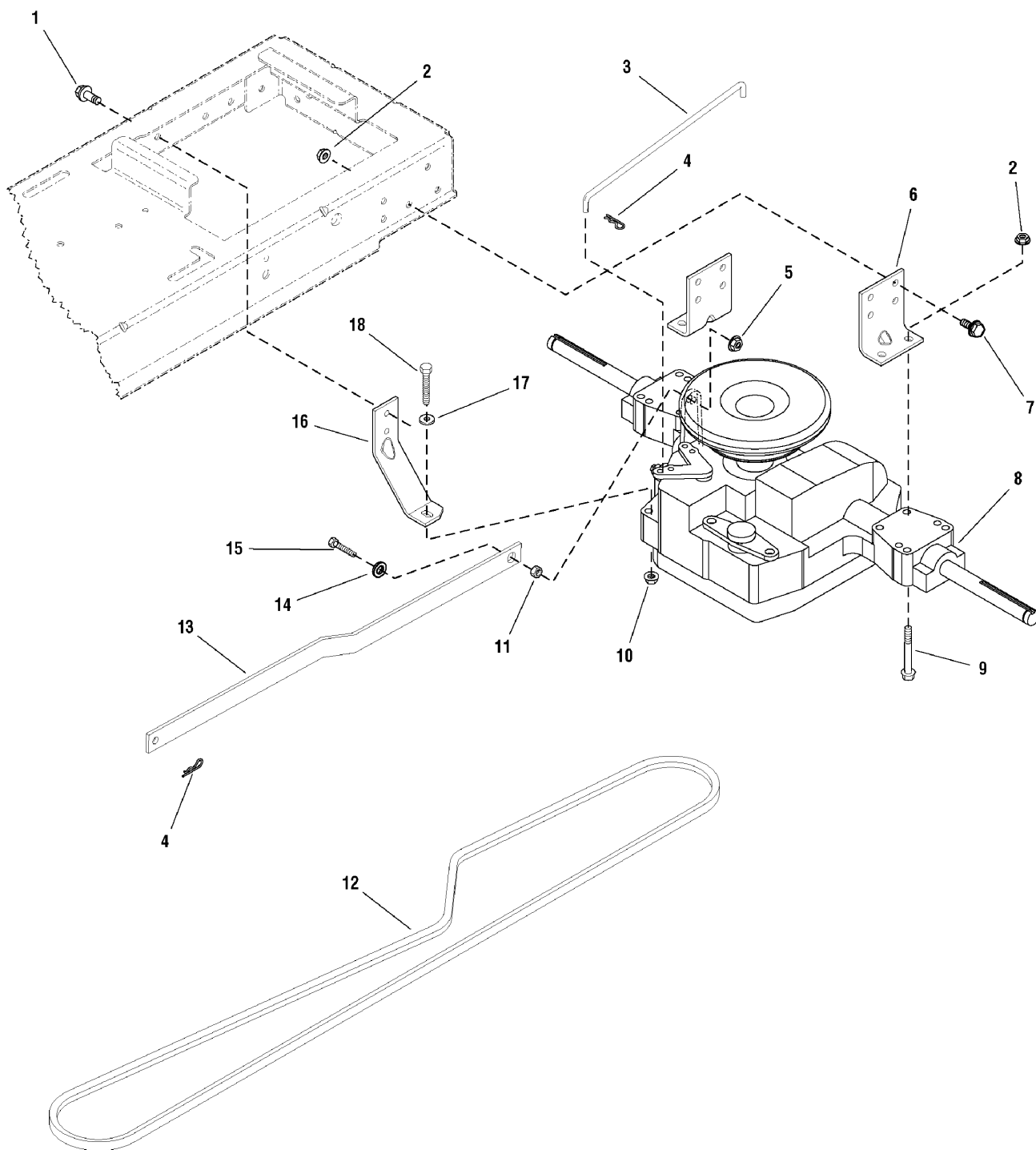
Steering Group



Steering Group

Item	Part No	Qty	Description	Note
1	1725024	1	CAP, Steering Wheel, Plain	
2	1960576	1	NUT, Hex Lock, ESNA Light, 5/8-18, Thin	
3	1924366	1	WASHER, 5/8	
4	1728069	1	STEERING WHEEL, w/Aluminum Insert	
5	1611710	1	RING, Klipring Extension	
6	1960114	2	WASHER	
7	1729665	2	BUSHING, Steering	
8	1931277	4	NUT, Hex, Flange Whizlock, 5/16-18	
9	1727940A	1	BRACKET, Sector Support	
10	1930591	4	CAPSCREW, Hex Head, Flange Whiz Lock, 5/16-18 x 3/4	
11	1931211	2	NUT, Whizlock, 3/8-16	
12	1728027	1	GEAR, Steering, 26 teeth	
13	1728122	2	SPACER, Sector Gear 0.374ID 1.25OD Powdered Metal Yellow	
14	1934654	2	CAPSCREW, Hex, Flange, Whizlock, 3/8-16 x 1	
15	1727813	1	SHAFT, Steering Gear & Spline Yellow	

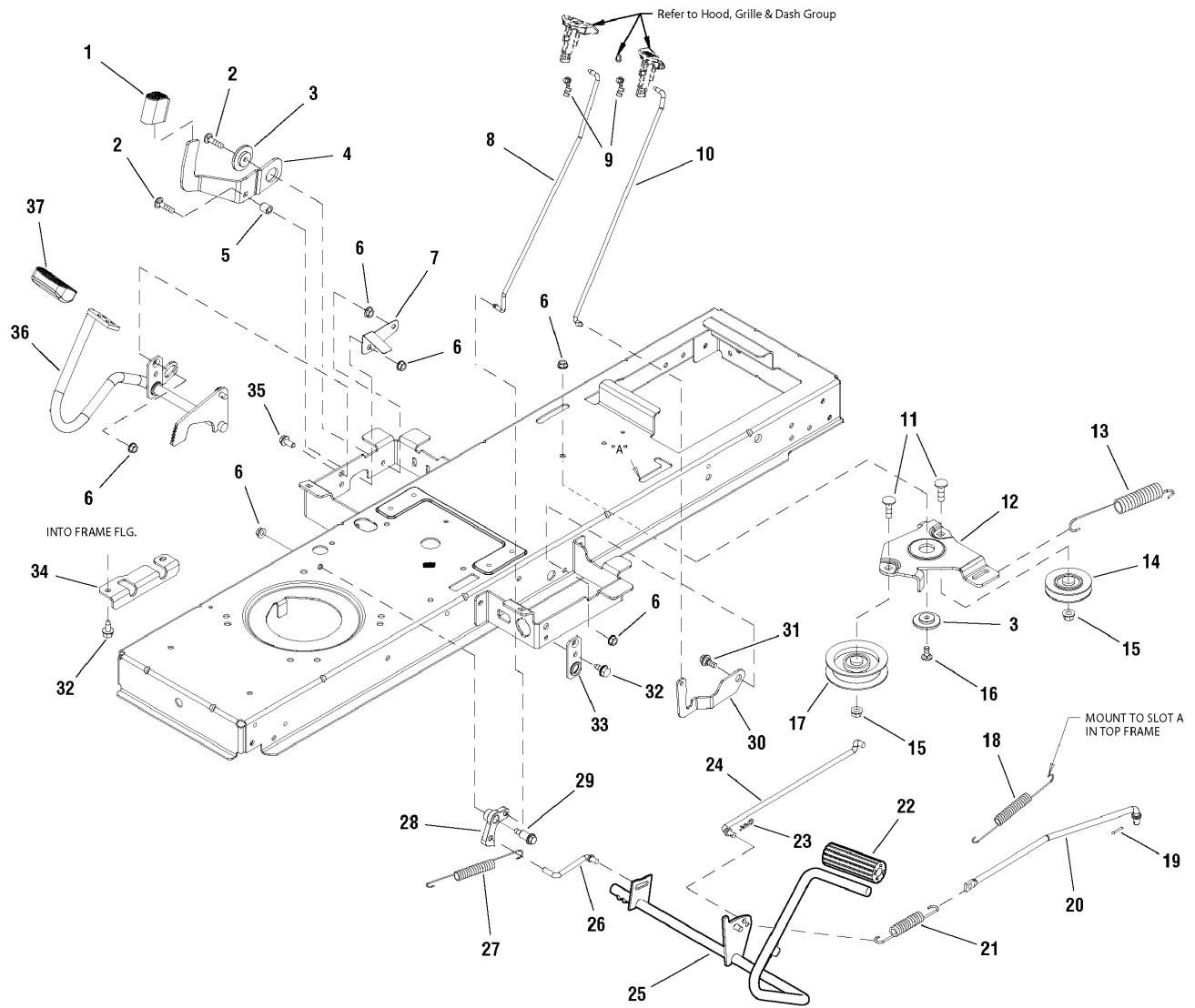
Footnotes:



Transmission Group

Item	Part No	Qty	Description	Note
1	1664847	1	CAPSCREW, Hex Head, Taptite, 5/16-18 x 3/4	
2	1931277	8	NUT, Hex, Flange Whizlock, 5/16-18	
3	1728120	1	ROD, Bypass, 11.44 LG Yellow	
4	1722460	2	PIN, Quick	
5	1960686	1	NUT, Hex Flange, 5/16-18 ESNA	
6	1727903A	2	SUPPORT, Transmission	
7	1930591	4	CAPSCREW, Hex Head, Flange Whiz Lock, 5/16-18 x 3/4	
8	1729588	1	TRANSMISSION ASSEMBLY, K46	
8	1729589	1	TRANSMISSION ASSEMBLY, K46HD	<i>(Used with 22" Tire Models)</i>
9	1960586	4	SCREW, Hex Head Flange Lock, 5/16-18 x 2-1/2	
10	1960686	1	NUT, Hex Flange, 5/16-18 ESNA	
11	1666697	1	SPACER	
12	1728008	1	V-BELT, Drive Belt, Aramid/Kevlar	
13	1727258A	1	ARM, Control 7GA	
14	1919326	1	WASHER, Flat, 5/16	
15	1921333	1	CAPSCREW, Hex Head, 5/16-18 x 1	
16	1728043A	1	STRAP, Torque 7 GA	
17	1919381	1	WASHER, Plain, 5/16	
18	1922127	1	CAPSCREW, Hex Head, 5/16-18 x 1-3/4	

Footnotes:

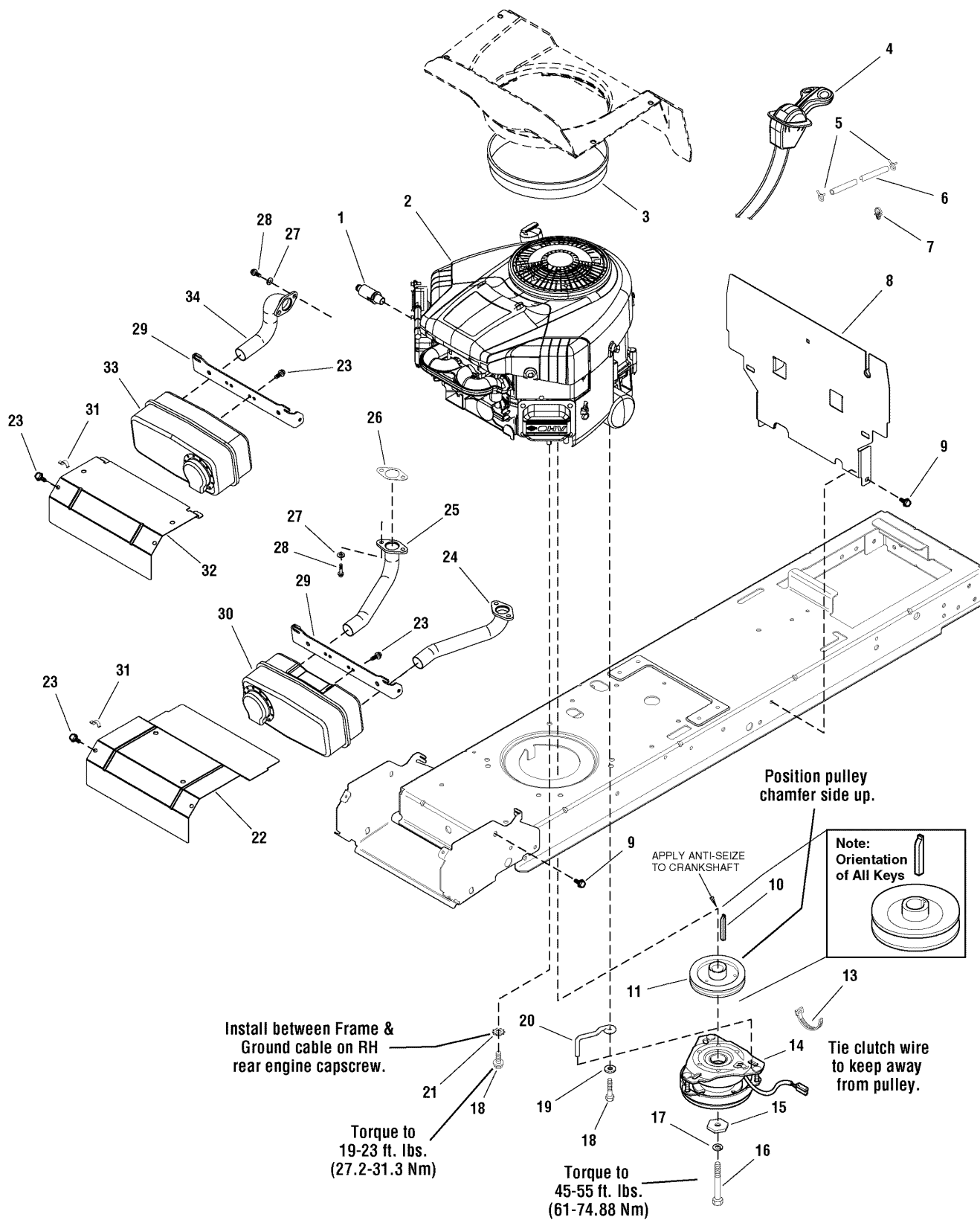


Controls Group

Item	Part No	Qty	Description	Note
1	1727259	1	PAD, Foot Pedal Reverse	
2	1960223	2	CARRIAGE BOLT, 5/16-18 x 1-1/4	
3	1727935	2	SPACER, Pivot 0.330ID 1.76OD .37TH Powdered Metal	
4	1727246A	1	PEDAL, Reverse	
5	1728024	1	SPACER, Foot Pedal Powdered Metal	
6	1931277	6	NUT, Hex, Flange Whizlock, 5/16-18	
7	1728025	1	ACTUATOR, RMO Switch 20GA	
8	1727898	1	ROD, Cruise Latch, 16.97LG	
9	1728111	2	CLIP, Linkage, Black	
10	1727267	1	ROD, Parking Brake, 16.38 LG Yellow	
11	1960268	2	CARRIAGE BOLT, 3/8-16 x 1-1/4	
12	1727894A	1	BRACKET, Idler 7GA	
13	1729620	1	SPRING, Extension 07.52 LG Black	
14	1728001	1	PULLEY, 3 OD Plastic	
15	1960687	2	NUT, Hex Flange, 3/8-16 ESNA	
16	1931335	1	CARRIAGE BOLT, 5/16-18 x 1	
17	1728000	1	PULLEY, Idler	
18	1721995	1	SPRING, Extension	
19	1918447	1	PIN, Cotter 3/32 x 3/4	
20	1727253	1	ROD, Brake, 15.1 LG	
21	1731262	1	SPRING, Extension 05.37 LG Black	
22	1727261	1	PEDAL, Brake Rubber	
23	1722460	1	PIN, Quick	
24	1727254	1	ROD, Brake Return, 12.60 LG	
25	1727252A	1	PEDAL ASSEMBLY, Brake	
26	1727899	1	ROD, Cruise Latch, 2.83 LG	
27	2159181	1	SPRING, Tension, Clutch	
28	1727897	1	LATCH, Cruise Powdered Metal	
29	1728976	1	BOLT, Shoulder 5/16-18 G5	
30	1727269A	1	LATCH, Brake Lock 10GA	
31	1729576	1	BOLT, Shoulder 5/16-18 G5	
32	1930601	3	SCREW, Taptite, 5/16-18 x 5/8	
33	1727911A	1	PLATE, Bearing	
34	1727909A	1	BRACKET, Pedal Pivot 10GA	
35	1930591	1	CAPSCREW, Hex Head, Flange Whiz Lock, 5/16-18 x 3/4	
36	1727250A	1	PEDAL ASSEMBLY, Forward	
37	1721675	1	PAD, Foot Pedal Forward	

Footnotes:

Engine & Electric Clutch Group, 38" & 42"



Engine & Electric Clutch Group, 38" & 42"

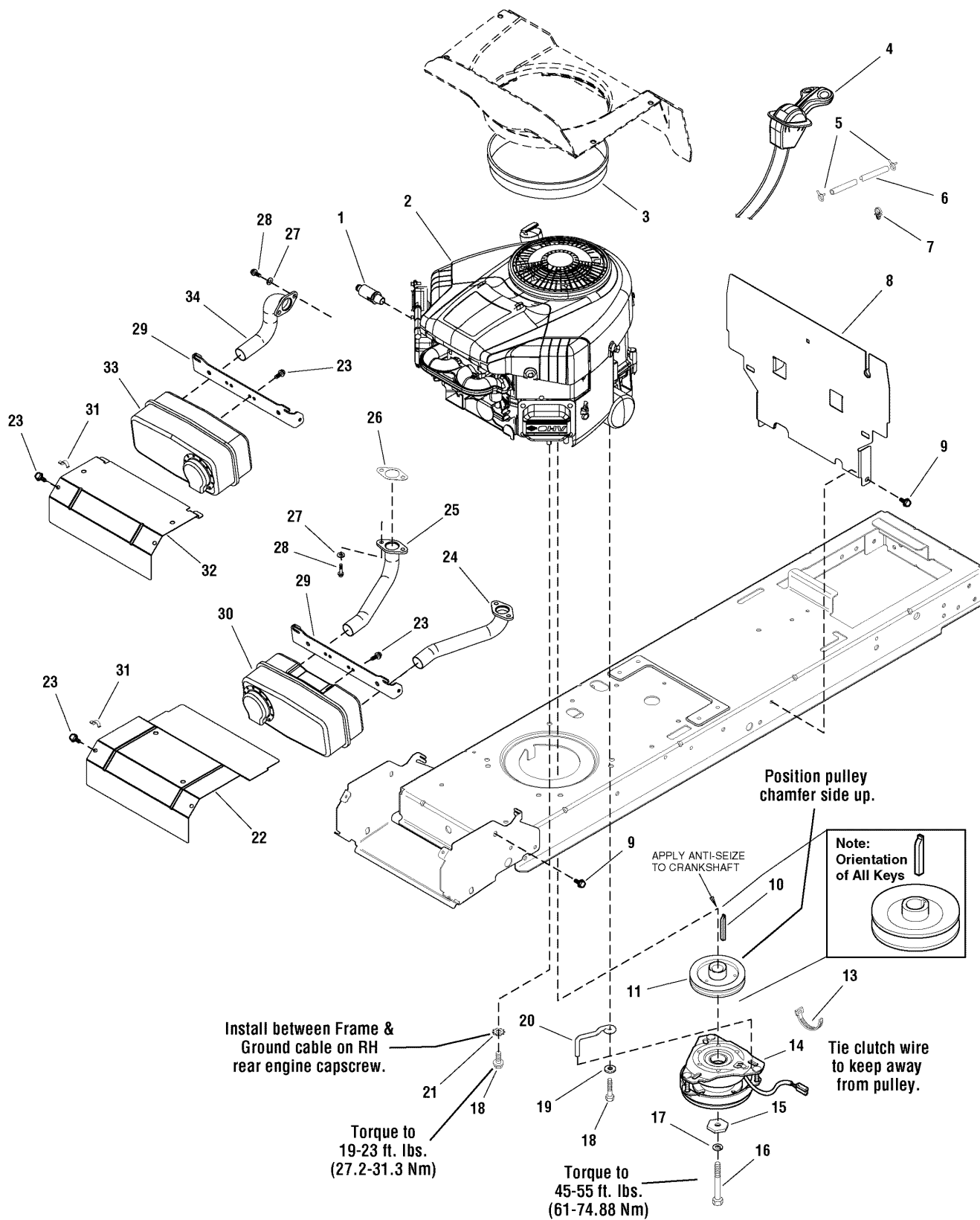
Item	Part No	Qty	Description	Note
1	1717473	1	VALVE, Oil Drain	
2	**	1	ENGINE, 18HP B&S Intek 1 Cylinder - Model # 31P777-0121-B1	
2	**	1	ENGINE, 20HP B&S Intek Twin - Model # 406577-0143-B1	
3	1731970	1	EDGING, Rubber, Short	(B&S V-Twin)
3	1731971	1	EDGING, Rubber, Long	(B&S Single Only)
4	1731410	1	CONTROL, Throttle Double 20.5, 23.5 B&S Single	
4	1731411	1	CONTROL, Throttle Double 34.7, 36 B&S Twin	
5	2860112	2	CLAMP, Hose Type E	
6	1676861	1	HOSE, Fuel, 45-1/2" Long	(B&S V-Twin)
6	1732001	1	HOSE, Fuel 55" Long	(B&S Single Only)
7	1730268	2	CLIP, Hose, Plastic, Push-In	
8	1728058A	1	SHIELD, Heat	
9	1930601	4	SCREW, Taptite, 5/16-18 x 5/8	
10	1720463	1	KEY, Hi-Pro, 1/4 x 2-1/2	
11	1723497	1	PULLEY	
13	2825094	1	TIE, Self Locking 7-5/16	
14	1718836	1	CLUTCH ASSEMBLY, Long OGURA	
15	1708264	1	WASHER	
16	1960649	1	CAPSCREW, 7/16-20 x 3-1/2, Hex Head	
17	1918199	1	LOCKWASHER, 7/16	
18	2828635	4(1)	SCREW, Hex, Washer Head, Taptite, 3/8-16 x 1-1/4	
18	2827187	3	CAPSCREW, Hex Head, Taptite, 3/8-16 x 1-1/2	(B&S Single Only)
19	1924940	1	WASHER, 3/8	
20	1732026	1	RETAINER, Clutch, Yellow	
21	2820427	1	LOCKWASHER, External Tooth, 3/8	
22	1727997A	1	SHIELD, Heat B&S Twin 20GA	
23	1925003	4	SCREW, Taptite, 1/4-20 x 1/2	
24	1727980	1	PIPE, Exhaust w/Flange LH B&S INT	
25	1727979	1	PIPE, Exhaust w/Flange RH B&S INT	
26	1731214	2(1)	GASKET, Exhaust B&S	
27	1917356	4(2)	LOCKWASHER, 5/16	
28	1936228	4(2)	CAPSCREW, Socket Head, 5/16-18 x 3/4	
29	1727976A	1	BRACKET, Muffler Mount 12GA	
30	1727994	1	MUFFLER, B&S Twin	
31	2834683	1	CLIP, Wire	
32	1727996A	1	SHIELD, Heat Single Cycle 20GA	
33	1727993	1	MUFFLER, B&S Single	

Footnotes:

Note** See your local Briggs & Stratton distributor for parts and service.

Note** See your local Briggs & Stratton distributor for parts and service.

Engine & Electric Clutch Group, 38" & 42"



Engine & Electric Clutch Group, 38" & 42"

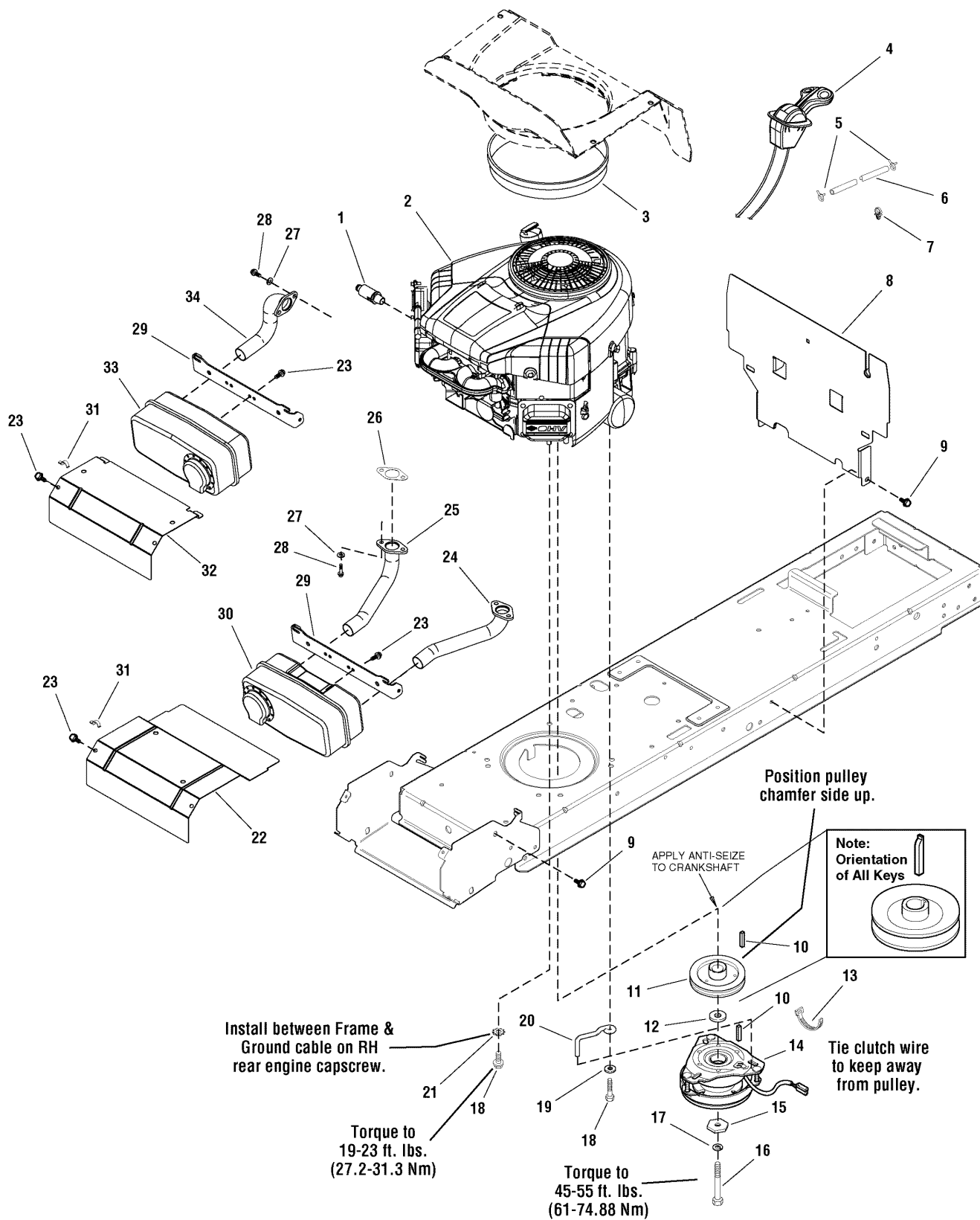
Item	Part No	Qty	Description	Note
34	1728959	1	PIPE, Exhaust w/Flange B&S 1 Cycle	

Footnotes:

Note** See your local Briggs & Stratton distributor for parts and service.

Note** See your local Briggs & Stratton distributor for parts and service.

Engine & Electric Clutch Group, 44" & 50"



Engine & Electric Clutch Group, 44" & 50"

Item	Part No	Qty	Description	Note
1	1717473	1	VALVE, Oil Drain	
2	*	1	ENGINE, 18HP Kohler Single Courage Pro - Model # SV540S-18 Spec #PS-SV540-0017	
2	**	1	ENGINE, 20HP B&S Intek Twin - Model # 406577-0143-B1	
2	**	1	ENGINE, 22HP B&S Intek Twin - Model # 445677-0421-B1	
2	**	1	ENGINE, 24HP B&S Intek Twin - Model # 441777-0117-B1	
3	1731970	1	EDGING, Rubber, Short	(B&S V-Twin & Kohler Single)
4	1731409	1	CONTROL, Throttle Double 19" Long	(Kohler Single)
4	1731411	1	CONTROL, Throttle Double 34.7" Long	(B&S Twin)
5	2860112	2	CLAMP, Hose Type E	
6	1676861	1	HOSE, Fuel, 45-1/2" Long	(B&S V-Twin & Kohler Single)
6	1732001	1	HOSE, Fuel 55" Long	(B&S Single Only)
7	1730268	2	CLIP, Hose, Plastic, Push-In	
8	1728058A	1	SHIELD, Heat	
9	1930601	4	SCREW, Taptite, 5/16-18 x 5/8	
10	2154096	2	KEY, Square, 1/4 x 1/4 x 29/32 Hard	
11	1723497	1	PULLEY	
12	1732208	1	SPACER, 1.01 ID x 1.68 OD x 3/8 LG Powdered Metal Yellow	
13	2825094	1	TIE, Self Locking 7-5/16	
14	1731275	1	CLUTCH ASSEMBLY, Mid-Range OGURA	
15	1708264	1	WASHER	
16	2860631	1	CAPSCREW, 7/16-20 x 3	
17	1918199	1	LOCKWASHER, 7/16	
18	2828635	4(1)	SCREW, Hex, Washer Head, Taptite, 3/8-16 x 1-1/4	
19	1924940	1	WASHER, 3/8	
20	1732199	1	RETAINER, Clutch, Black	
21	2820427	1	LOCKWASHER, External Tooth, 3/8	
22	1727997A	1	SHIELD, Heat B&S Twin 20GA	
23	1925003	4	SCREW, Taptite, 1/4-20 x 1/2	
24	1727980	1	PIPE, Exhaust w/Flange LH B&S INT	
25	1727979	1	PIPE, Exhaust w/Flange RH B&S INT	
26	1731214	2(1)	GASKET, Exhaust B&S	
27	1917356	4(2)	LOCKWASHER, 5/16	
28	1936228	4(2)	CAPSCREW, Socket Head, 5/16-18 x 3/4	
29	1727976A	1	BRACKET, Muffler Mount 12GA	
30	1727994	1	MUFFLER, B&S Twin	
31	2834683	1	CLIP, Wire	
32	1727996A	1	SHIELD, Heat Single Cycle 20GA	

Footnotes:

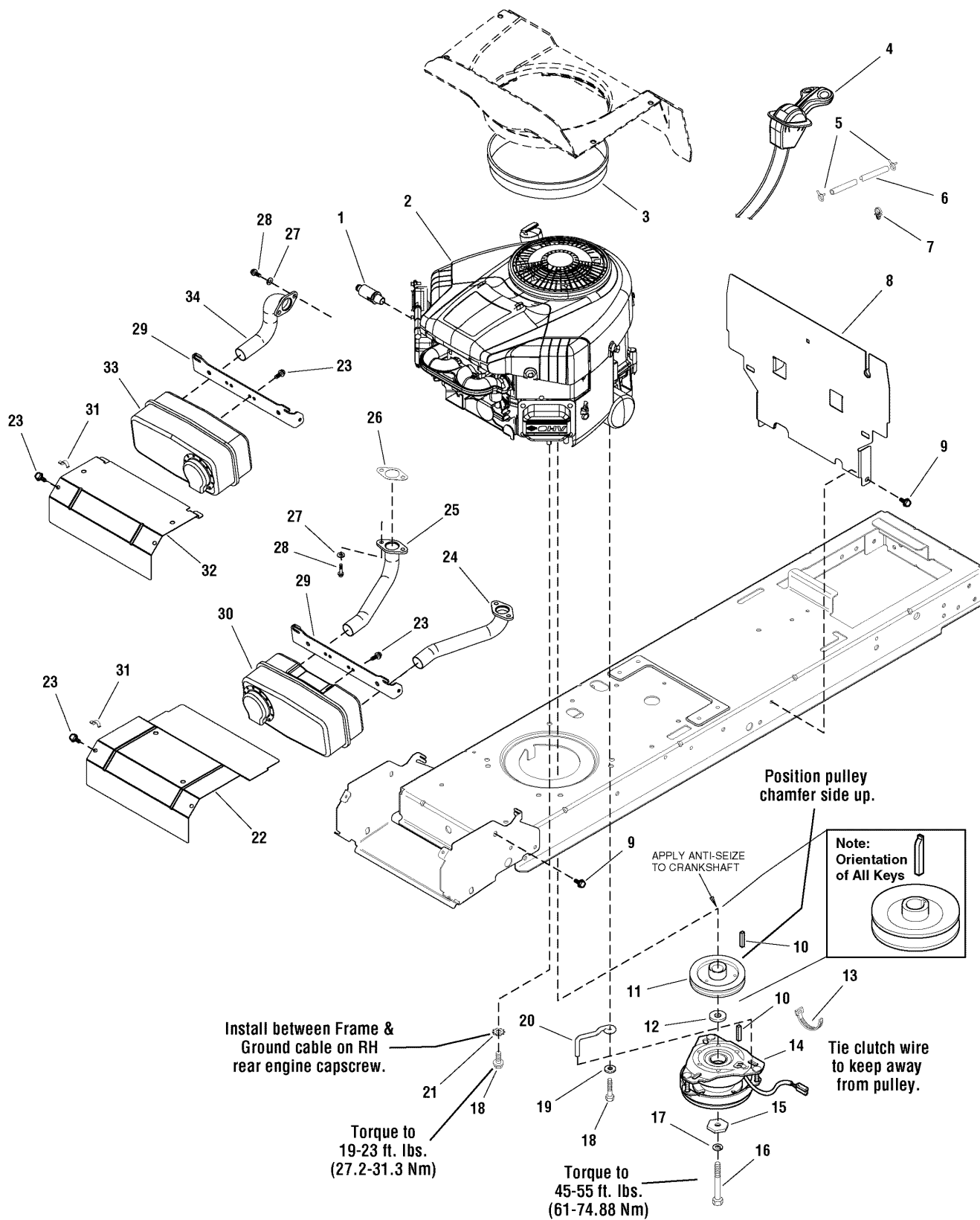
Note* See your local Kohler distributor for parts & service.

Note** See your local Briggs & Stratton distributor for parts and service.

Note** See your local Briggs & Stratton distributor for parts and service.

Note** See your local Briggs & Stratton distributor for parts and service.

Engine & Electric Clutch Group, 44" & 50"



Engine & Electric Clutch Group, 44" & 50"

Item	Part No	Qty	Description	Note
33	1727993	1	MUFFLER, B&S Single	
34	1727978	1	PIPE, Exhaust w/Flange Kohler	

Footnotes:

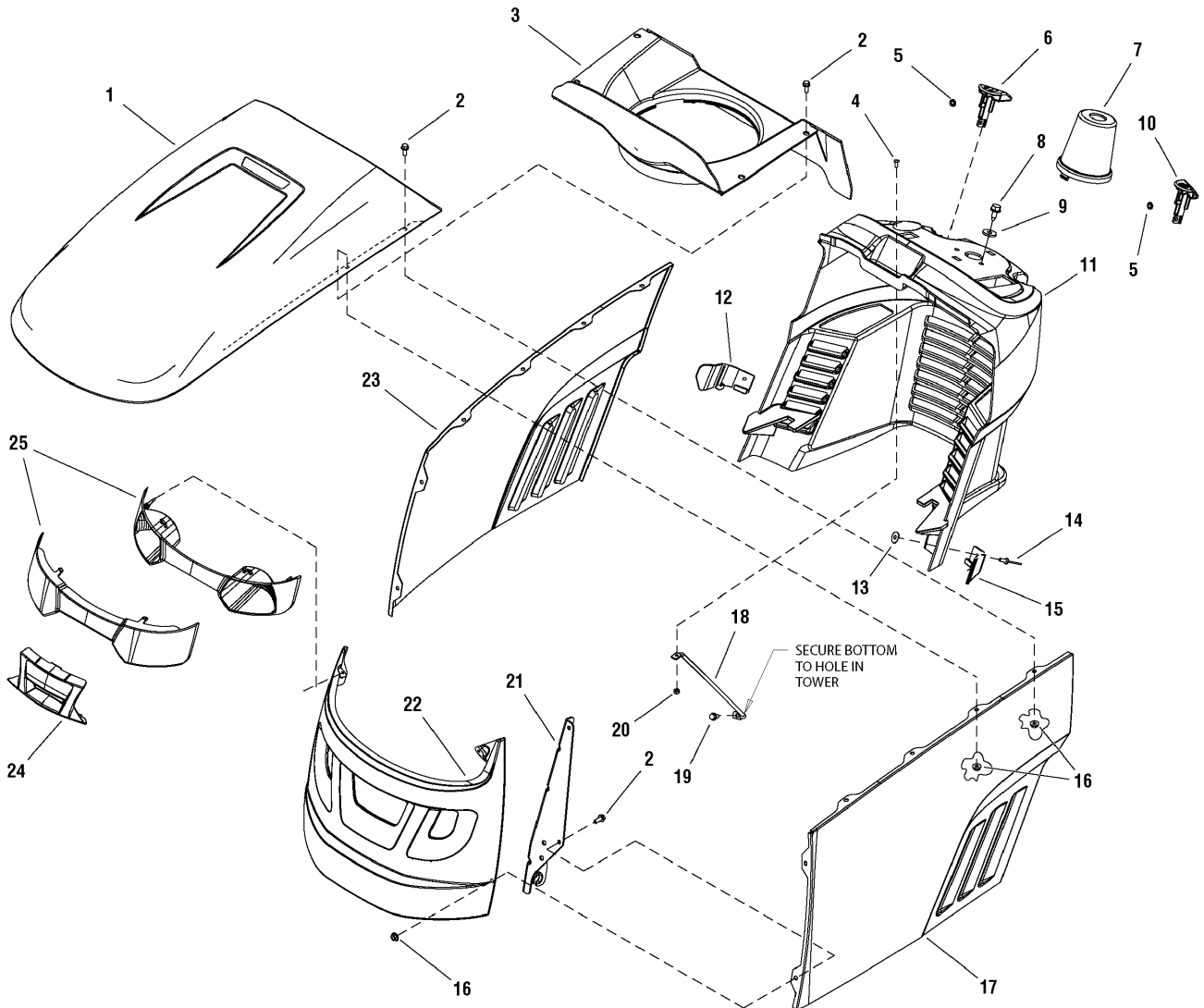
Note* See your local Kohler distributor for parts & service.

Note** See your local Briggs & Stratton distributor for parts and service.

Note** See your local Briggs & Stratton distributor for parts and service.

Note** See your local Briggs & Stratton distributor for parts and service.

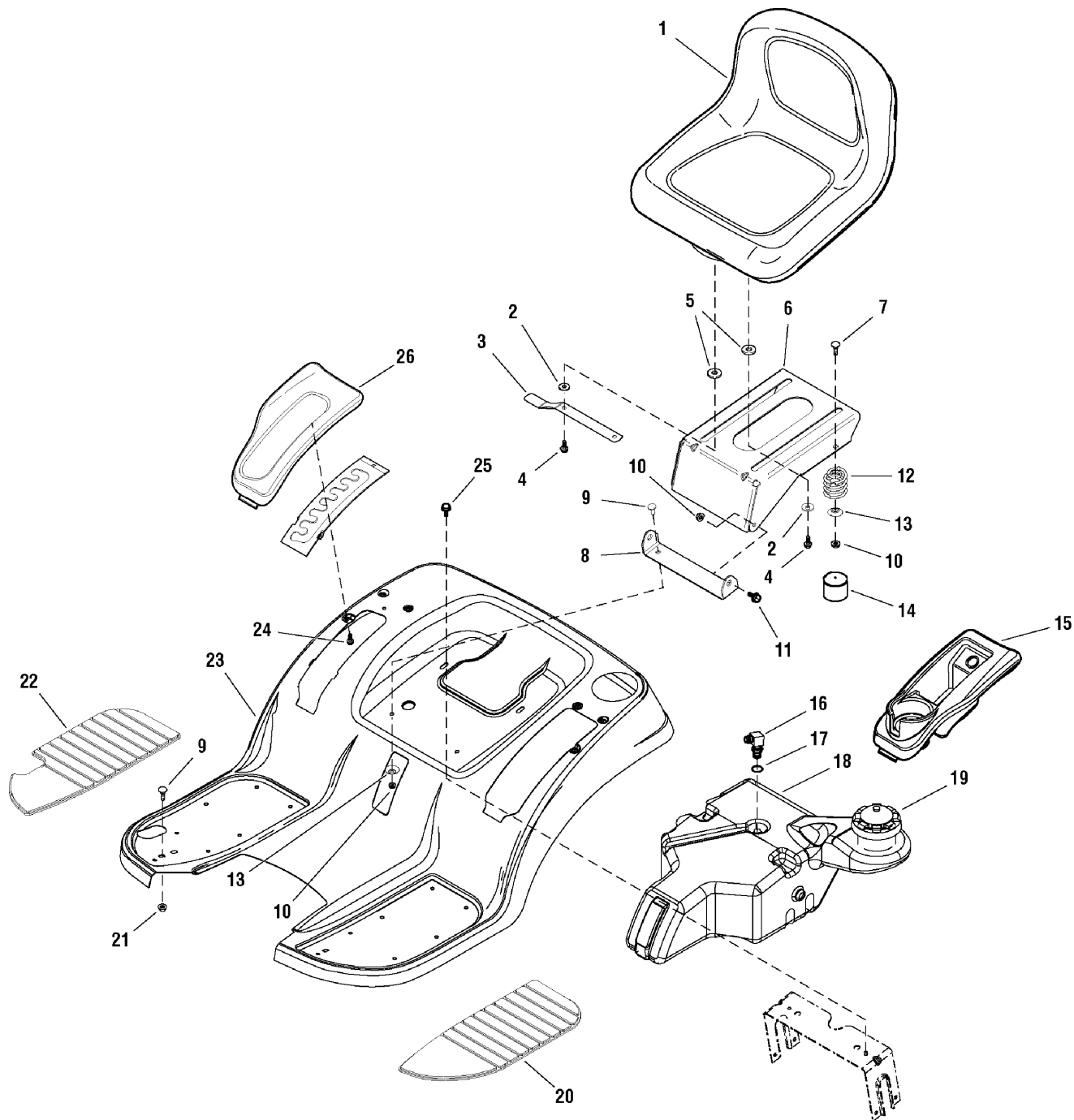
Hood, Grille & Dash Group



Hood, Grille & Dash Group

Item	Part No	Qty	Description	Note
1	1728031D	1	HOOD, W/Scoop	
2	1960295	12	CAPSCREW, Whizlock, 1/4-20 x 5/8	
3	1731891	1	DUCT, Air Inlet Plastic	
4	1960392	1	SCREW, Pan Head #10-24 x 1/2	
5	1960674	2	PUSH NUT	
6	1728090	1	KNOB, Cruise Lock Green Plastic	
7	1727999	1	COVER, Steering Shaft Plastic	
8	1664847	2	CAPSCREW, Hex Head, Taptite, 5/16-18 x 3/4	
9	1919381	2	WASHER, Plain, 5/16	
10	1728089	1	KNOB, Brake Lock Plastic	
11	1727293	1	DASHBOARD	
12	1732031	1	GUIDE, Hood RH	
13	1960096	2	WASHER	
14	1928707	2	RIVET, Pop, Stem Black	
15	1732030	1	GUIDE, Hood LH	
16	1930641	12	NUT, Hex Flange Whiz, 1/4-20	
17	1727295D	1	PANEL, Hood LH Side	
18	1723123	1	ROD, Dash Support	
19	1925003	1	SCREW, Taptite, 1/4-20 x 1/2	
20	1933896	1	NUT, Hex, Nylon, Lock, #10-24	
21	1727279A	1	HINGE, Hood LH	
21	1727280A	1	HINGE, Hood RH	
22	1728059D	1	GRILLE	
23	1727294D	1	PANEL, Hood RH Side	
24	1728975	1	INSERT, Lightbar	
25	1727296	1	HEADLIGHT ASSEMBLY	

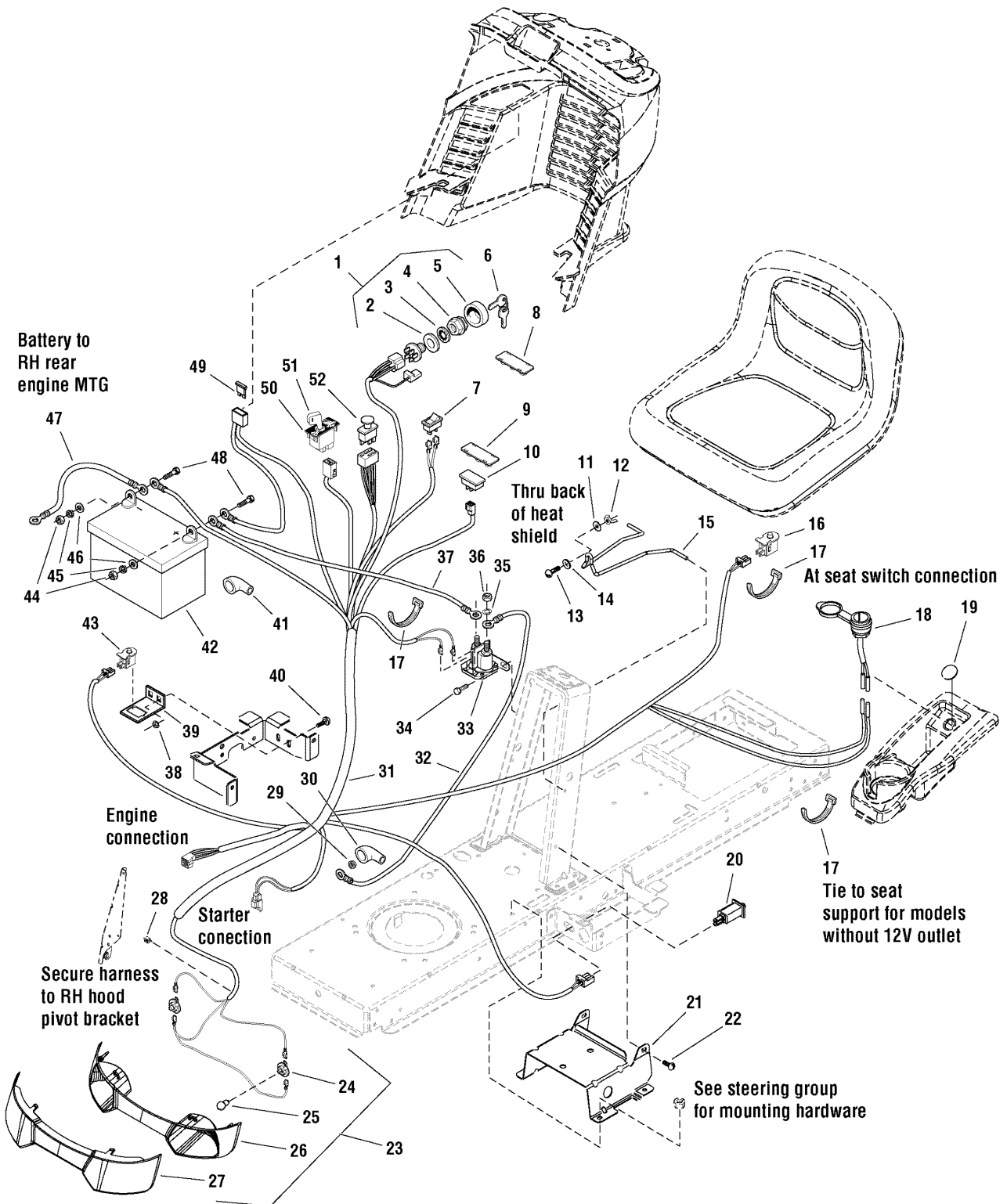
Footnotes:



Seat Deck & Fuel Tank Group

Item	Part No	Qty	Description	Note
1	1730158	1	SEAT, Low Back, Steel Pan	
1	1730159	1	SEAT, Hi Back, Steel Pan	
2	1919381	4	WASHER, Plain, 5/16	
3	1727268	1	LATCH, Seat 20GA E-Coat	
4	1960667	4	CAPSCREW, Hex Head Flange Dog Point, 5/16-18 x 1	
5	1731300	4	SPACER, 0.32 ID x 1-1/2 OD x 3/10 THK Powdered Metal Yellow	
6	1727265A	1	SUPPORT, Seat 12GA	
7	1960282	2	CARRIAGE BOLT, 5/16-18 x 3/4	
8	1727266A	1	PIVOT, Seat 10GA	
9	1931333	4	BOLT, Carriage, 5/16-18 x 3/4	
10	1960686	4	NUT, Hex Flange, 5/16-18 ESNA	
11	1729576	2	BOLT, Shoulder 5/16-18 G5	
12	1704728	2	SPRING, Compression	
13	1709256	4	WASHER, Spring Black	
14	1704724	2	COVER, Spring	
15	1729001	1	POD, LH Cup Holder	
16	1674231	1	ELBOW FITTING	
17	1654930	1	BUSHING	
18	1727305	1	TANK, Fuel	
19	1715917	1	CAP, Gas	
20	1728006	1	PAD, Footrest LH	
21	1931277	4	NUT, Hex, Flange Whizlock, 5/16-18	
22	1728007	1	PAD, Footrest RH	
23	1727264D	1	DECK, Seat w/Footrests (Red)	
24	1960536	6	SCREW, Hex, Washer Head, Plastite, 1/4-20 x 1/2	
25	1930601	2	SCREW, Taptite, 5/16-18 x 5/8	
26	1729000	1	POD, RH Lift Quadrant	

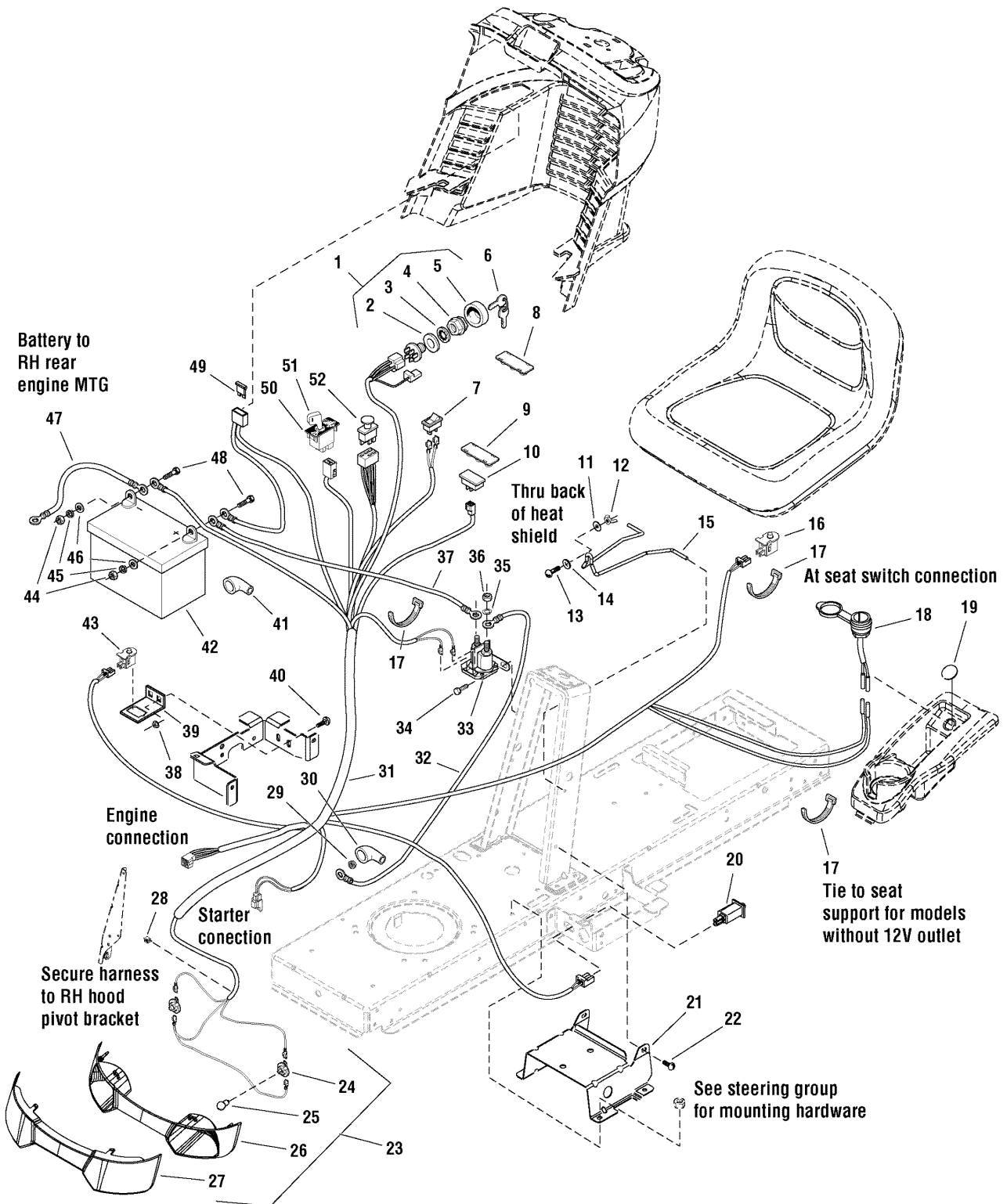
Footnotes:



Electrical Group

Item	Part No	Qty	Description	Note
1	1716061	1	SWITCH ASSEMBLY, Ignition, 6-Pole (Includes Ref. 2, 3, 4 & 5)	
2	2101025	1	WASHER, 5/8	
3	1960547	1	LOCKWASHER, Internal Tooth, 5/8	
4	1717549	1	NUT, Hex, Flange, 5/8-32	
5	1717550	1	COVER, Ignition	
6	1717163	1	IGNITION KEY (Set of 2)	
7	1716951	1	SWITCH, Headlights, 2 Terminal	
8	1722611	1	PLUG, Hole, Square	
9	1729993	1	PLUG, Hour Meter	(Kohler and B&S Single)
10	1728068	1	METER, Hour, LCD	(B&S V-Twin Only)
11	1960353	1	WASHER, Plain, 1/4 (6 Total for Export)	
12	2860293	1	NUT, Wing, 1/4-20	
13	1931318	1	CARRIAGE BOLT, 1/4-20 x 7/8	
14	1960518	1	NUT, Push On	
15	1730007	1	HOLD DOWN, Battery	
16	1732005	1	SWITCH, Push Button (NC)	
17	2825094	3	TIE, Self Locking 7-5/16	
18	7073090	1	OUTLET, 12 Volt DC Power	
19	1732007	1	PLUG, Hole Models W/O 12V Adapter	
20	1732006	1	SWITCH, Push Button (NO/NC)	
21	1727282A	1	SUPPORT, Battery 12 GA	
22	1930601	4	SCREW, Taptite, 5/16-18 x 5/8	
23	1727296	1	HEADLIGHT ASSEMBLY (Includes Ref. 24, 25, 26 & 27)	
24	1723451	2	SOCKET ASSEMBLY	
25	1677371	2	BULB, 1141-12V 21CP	
26	1728973	1	REFLECTOR, Headlight	
27	1728974	1	LENS, Headlight	
28	2834683	1	CLIP, Speed Wire	
29	1960294	1	NUT, Hex, Flange, 1/4-20	
30	1713535	1	COVER, Terminal	
31	1728097	1	HARNESS, Wiring	
32	1721830	1	CABLE, Solenoid to Starter	
33	1728963	1	SOLENOID	
34	1925003	2	SCREW, Taptite, 1/4-20 x 1/2	
35	2820426	2	LOCKWASHER, External Tooth, 5/16	
36	2820263	2	NUT, Hex, 5/16-24 NF	

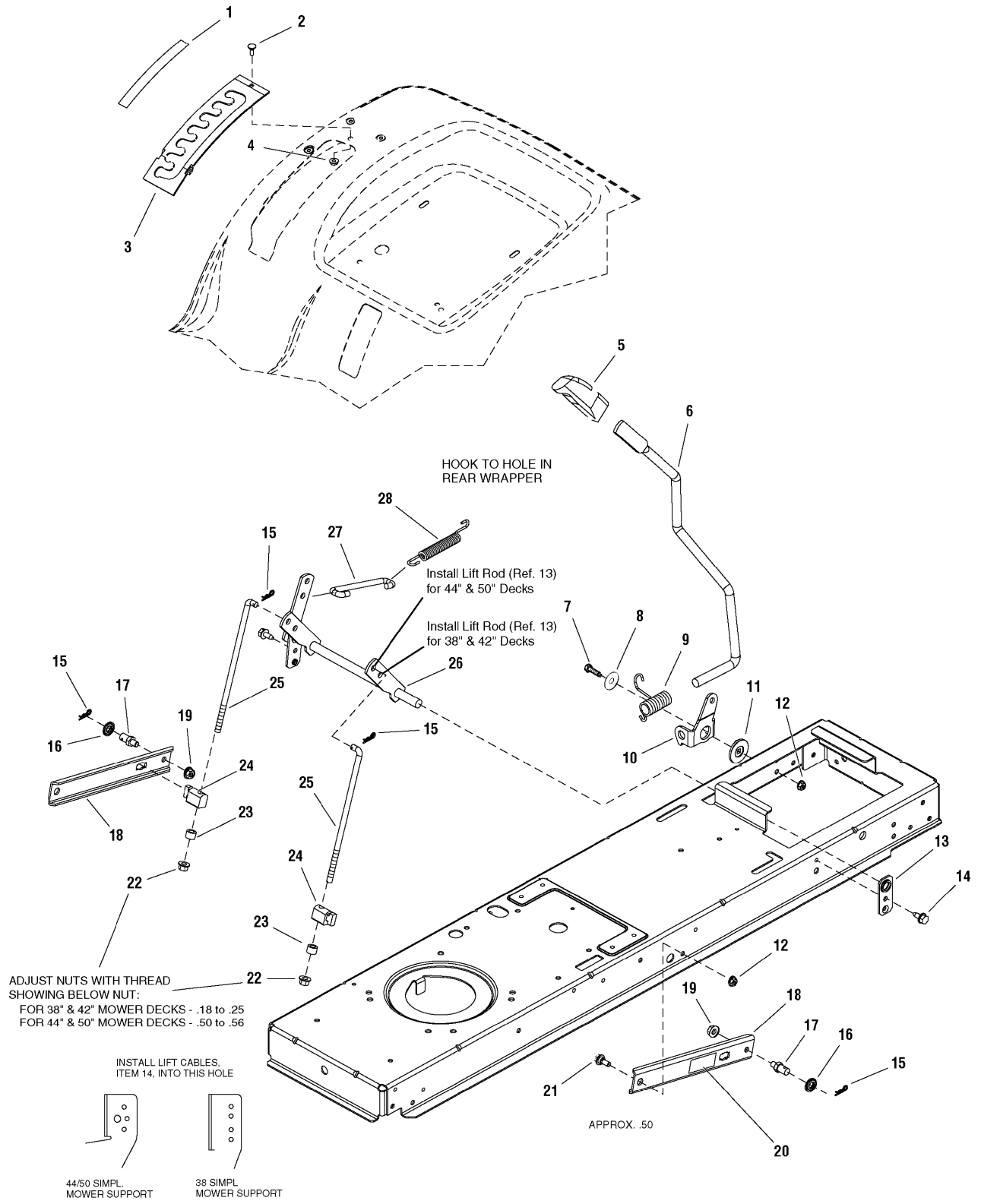
Footnotes:



Electrical Group

Item	Part No	Qty	Description	Note
37	1716549	1	CABLE, #6 x 10 Long, with 2 Ring Terminals, Battery to Solenoid	
38	1931277	2	NUT, Hex, Flange Whizlock, 5/16-18	
39	1728026A	1	SUPPORT, RMO Switch	
40	1931333	2	CARRIAGE BOLT, 5/16-18 x 3/4	
41	1677296	1	BOOT, Insulator	
42	1722841	1	BATTERY	
43	1732004	1	SWITCH, Push Button (NO), Reverse Pedal	
44	2816622	2	NUT, Hex, Full, 1/4-20	
45	2816964	2	LOCKWASHER, 1/4	
46	2821319	2	WASHER, 1/4 I.D.	
47	1713163	1	CABLE, Battery to Ground	
48	2823341	2	CAPSCREW, Hex Head, 1/4-20 x 3/4	
49	1731957	1	FUSE, Wiring Harness	
50	1726556	1	NO-MOW MODULE	
51	1727185	1	KEY, w/Hang Tag for RMO Module	
52	1722887	1	SWITCH, PTO, Push/Pull Symbols	

Footnotes:

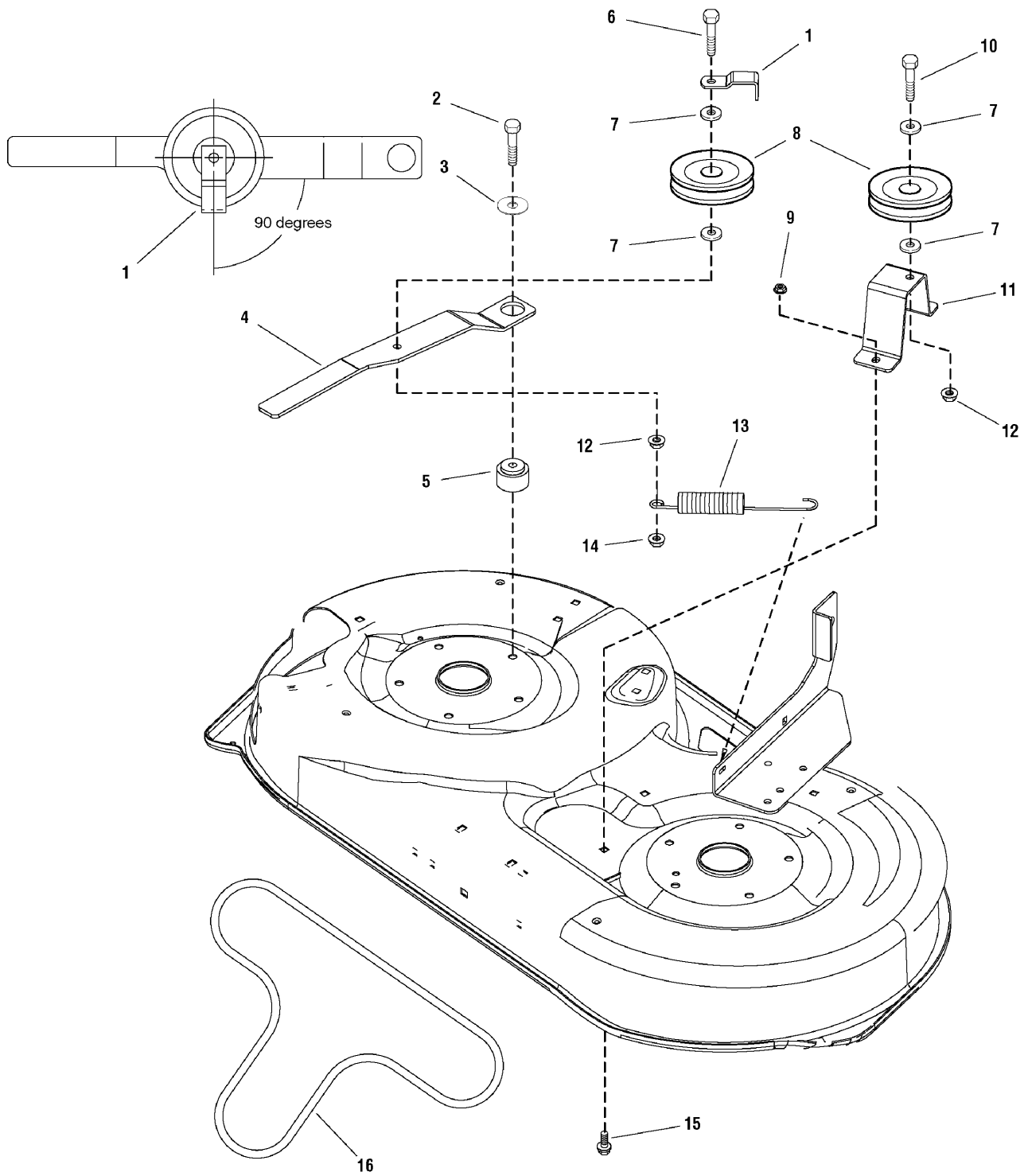


Lift Group - Manual

Item	Part No	Qty	Description	Note
1	1730264	1	DECAL, Height Of Cut	
2	1960252	1	CARRIAGE BOLT, 1/4-20 x 5/8 G5	
3	1727985A	1	QUADRANT, Lift Height 12GA	
4	1930641	1	NUT, Hex Flange Whiz, 1/4-20	
5	1722302	1	GRIP	
6	1728070	1	ROD, Lift Handle E-Coat, 17.7 LG	
7	1921333	1	CAPSCREW, Hex Head, 5/16-18 x 1	
8	1960044	1	WASHER, Plain, 21/64 x 1-1/4	
9	1729652	1	SPRING, Torsion, 2.12 LG Black	
10	1728990A	1	CLEVIS, Lift 7GA	
11	1727935	1	SPACER, Pivot 0.330ID 1.76OD .37TH Powdered Metal	
12	1931277	3	NUT, Hex, Flange Whizlock, 5/16-18	
13	1727911A	1	PLATE, Bearing	
14	1930601	2	SCREW, Taptite, 5/16-18 x 5/8	
15	1960074	4	CLIP, Spring	
16	1960170	2	WASHER, 1/2	
17	2721135	2	PIN, Threaded Shoulder	
18	1731417A	2	ARM, Lift Rear 10GA	
19	1928352	2	NUT, Hex, Flange, Whizlock, 5/16-18 x 1/2	
20	1732070	2	DECAL, CAUTION! Pinch Point	
21	2720107	2	BOLT, Shoulder	
22	1960687	2	NUT, Hex Flange, 3/8-16 ESNA	
23	1656397	2	SPACER	<i>(Used on 38" & 42" Mower Decks)</i>
23	1666294	2	SPACER	<i>(Used on 44" & 50" Mower Decks)</i>
24	1731894	2	TRUNNION, Powdered Metal	
25	1727955	2	ROD, Lower Life, 10.00 LG	
26	1727951A	1	SHAFT ASSEMBLY, Lift	
27	1727954	1	ROD, Lift, 5.43 LG	
28	1731939	1	SPRING, Extension 5.10 LG Black	<i>(Used on 44" & 50" Mower Decks)</i>

Footnotes:

38" & 42" Mower Deck - Belt, Idler Arm & Hitch Group

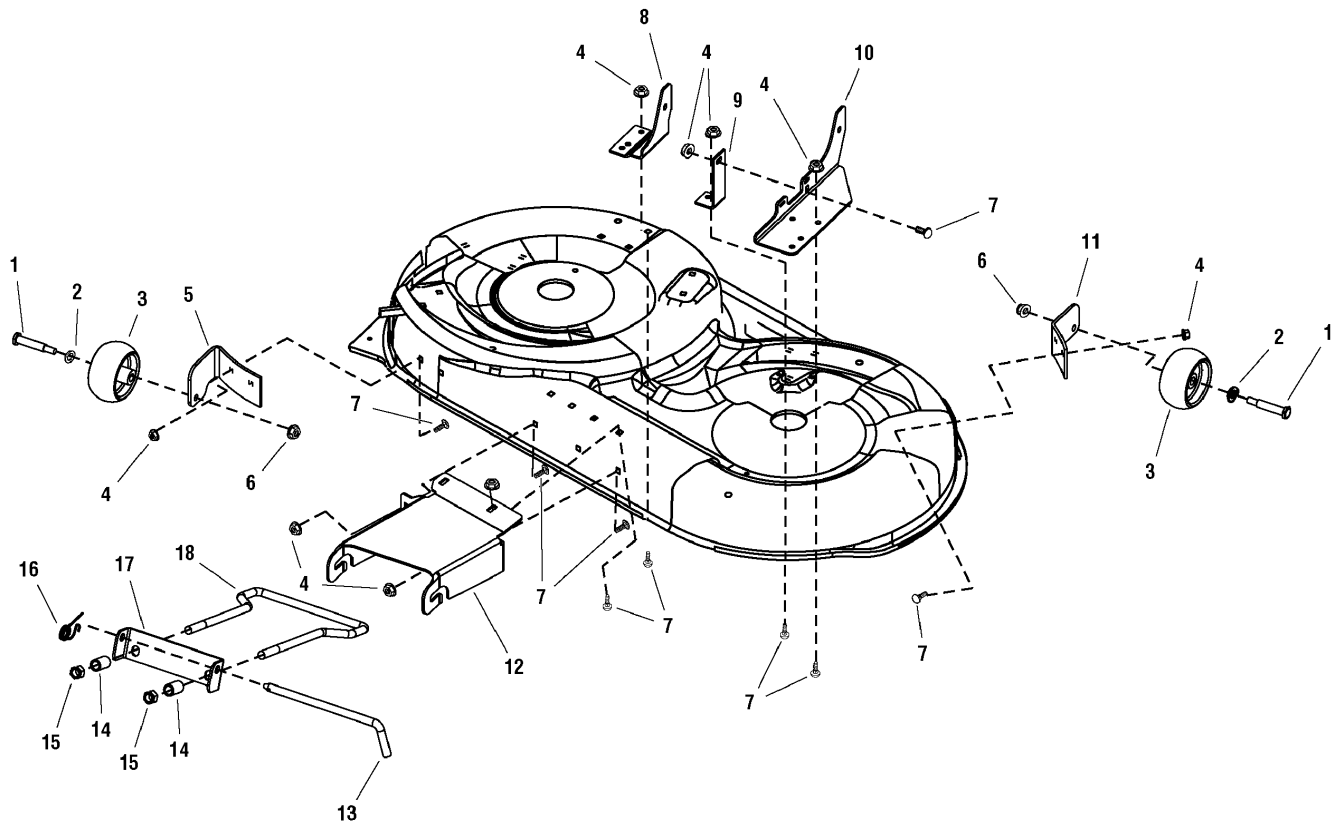


38" & 42" Mower Deck - Belt, Idler Arm & Hitch Group

Item	Part No	Qty	Description	Note
1	1677135A	1	GUARD, Spring	
2	2860361	1	CAPSCREW, Hex Washer Head, Taptite, 3/8-16 x 2	
3	1924356	1	WASHER, Plain, 13/32 x 1-1/2 x 1/8	
4	1731944A	1	ARM	
5	1729007	1	SPACER, 0.387 ID x 1-1/2 OD x 1.04 LG Powdered Metal	
6	1922130	1	CAPSCREW, Hex Head, 3/8-16 x 2-1/4	
7	1922755	4	WASHER, 3/8	
8	7018574	2	IDLER, Flat	
9	1931277	2	NUT, Hex, Flange Whizlock, 5/16-18	
10	1921971	1	CAPSCREW, Hex Head, 3/8-16 X 1-3/4	
11	1731911A	1	SUPPORT, Idler	
12	1931211	2	NUT, Whizlock, 3/8-16	
13	1731311	1	SPRING, Extension 07.75 LG Black	
14	1960339	1	NUT, 3/8-16, Hex Flange MAC Locking Large, Black	
15	1931333	2	BOLT, Carriage, 5/16-18 x 3/4	
16	1732204	1	V-BELT, 91.10 LG Kevlar (38" Decks)	
16	1732205	1	V-BELT, 94.45 LG Kevlar (42" Decks)	

Footnotes:

38" & 42" Mower Deck - Height Adjustment & Roller Bar Group

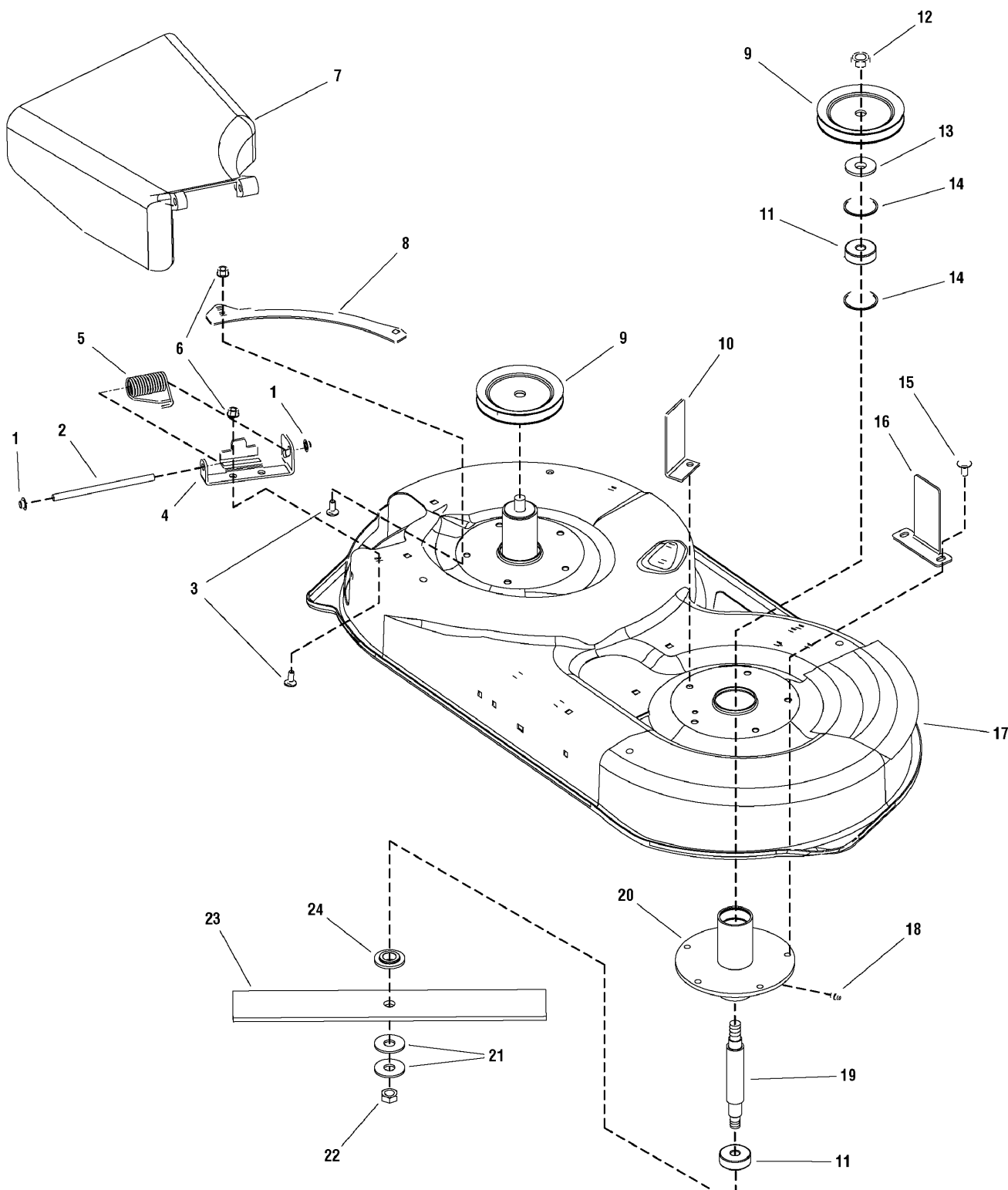


38" & 42" Mower Deck - Height Adjustment & Roller Bar Group

Item	Part No	Qty	Description	Note
1	2108765	2	BOLT, Rear Wheel	(42" Only)
2	1960170	2	WASHER, 1/2	(42" Only)
3	1714760	2	WHEEL, Gauge	(42" Only)
4	1931277	11	NUT, Hex, Flange Whizlock, 5/16-18	(38" Only)
4	1931277	13	NUT, Hex, Flange Whizlock, 5/16-18	(42" Only)
5	1731402A	1	SUPPORT, Gauge Wheel RH 7 GA	(42" Only)
6	1960687	2	NUT, Hex Flange, 3/8-16 ESNA	(42" Only)
7	1931333	11	BOLT, Carriage, 5/16-18 x 3/4	(38" Only)
7	1931333	13	BOLT, Carriage, 5/16-18 x 3/4	(42" Only)
8	1730072D	1	SUPPORT, Mower RH	
9	1730201D	1	BRACE, Mower Support	(38" Only)
10	1730071D	1	SUPPORT, Mower LH	
11	1731403A	1	SUPPORT, Gauge Wheel LH 7 GA	(42" Only)
12	1731967D	1	HITCH, Front 38" Mower	
12	1731966D	1	HITCH, Front 42" Mower	
13	1731414	1	PIN, Hitch	
14	1679166	2	SPACER, .532 ID x 3/4 OD x 1-1/4 LG Yellow	
15	1960379	2	NUT, ESNA, Lock, 1/2-13 (Thin)	
16	2176012	1	CLIP, Pin, Safety	
17	1730221A	1	HANGER, Front Mower	
18	1730097	1	ROD, Bail Mowers Yellow	

Footnotes:

38" & 42" Mower Deck - Housing, Arbors & Blades Group



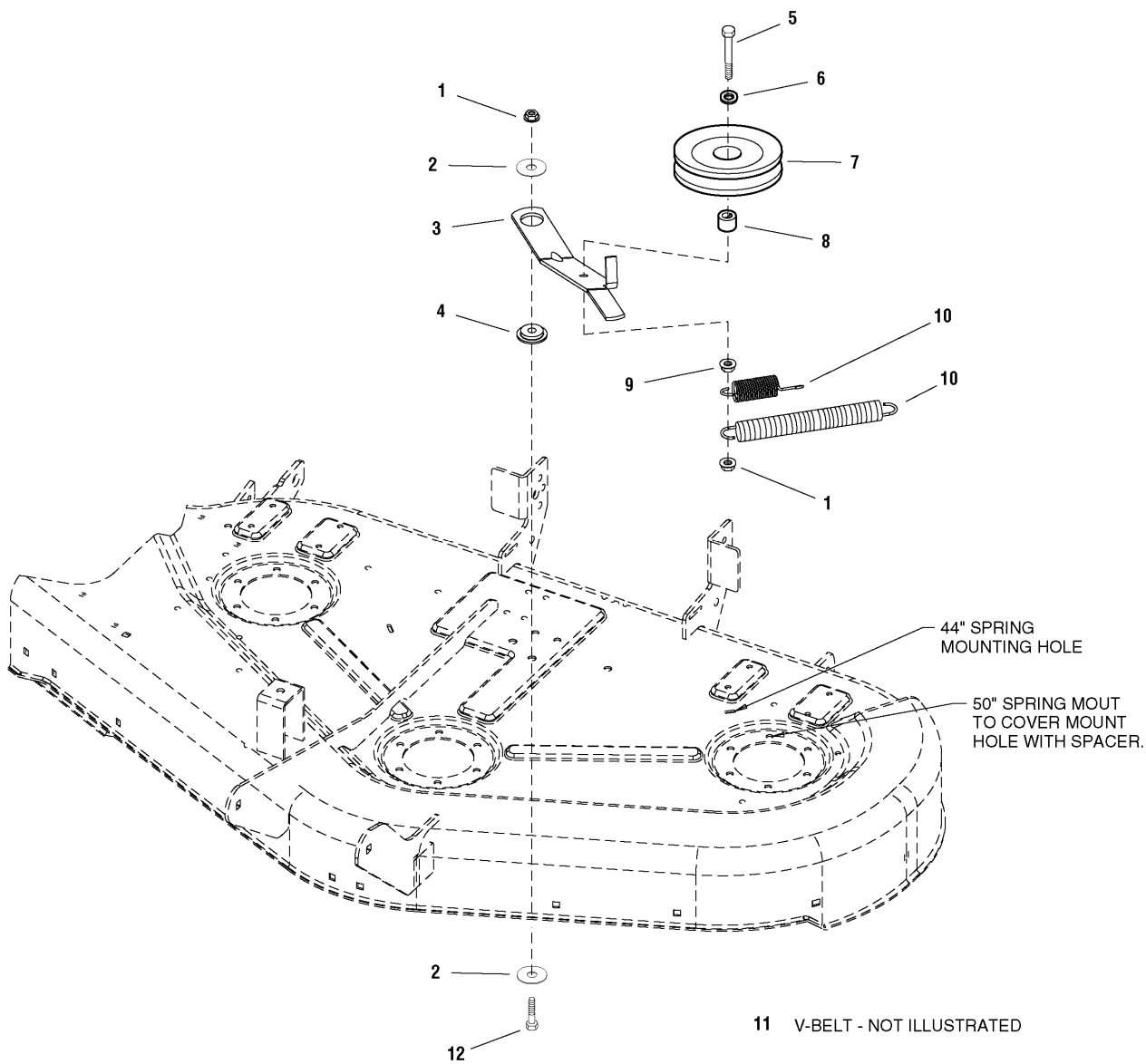
TORQUE TO
80-90 FT/LBS
108.8-122.4 Nm

38" & 42" Mower Deck - Housing, Arbors & Blades Group

Item	Part No	Qty	Description	Note
1	1960093	2	NUT, Push, 3/8	
2	2721281	1	ROD, Deflector	
3	1931333	6	BOLT, Carriage, 5/16-18 x 3/4	
4	2721280A	1	BRACKET, Hinge 9GA	
5	2720154	1	SPRING, Torsion	
6	1931277	6	NUT, Hex, Flange Whizlock, 5/16-18	
7	2721251	1	DEFLECTOR & SUPPORT ASSEMBLY, Chute Riveted	
8	2720832A	2	PLATE, Rear	(38" Only)
8	2721000A	2	PLATE, Rear	(42" Only)
9	1732354	2	PULLEY	(42" Only)
9	1731378	2	PULLEY	(38" Only)
10	1731209A	1	UPSTOP, "L" 10GA	
11	2108202	2	BEARING, Upper	
12	1960576	2	NUT, Hex Lock, ESNA Light, 5/8-18, Thin	
13	7072440	2	SPACER, Pulley, 38" Deck	
14	7012491	2	RETAINING RING, Extension, 1-3/4	
15	1923683	10	SCREW, Hex, Washer Head, Taptite, 3/8-16 x 3/4	
16	1732555A	1	UPSTOP, "L" 10GA	(38" Only)
17	1730100D	1	HOUSING, 42"	(42" Only)
17	1731204D	1	HOUSING, 38"	(38" Only)
18	1704314	1	FITTING, Grease	
19	7072537	1	SHAFT, Spindle, 38" Deck	
20	1731372A	1	TUBE & PLATE ASSEMBLY, Spindle	
21	7024467	4	WASHER, Belleville	
22	7091633	2	NUT, Hex 9/16-18	
23	1731898	2	BLADE, Mower 42"	(42" Only)
23	1731914	2	BLADE, Mower 38"	(38" Only)
24	1731917	2	WASHER, Spindle Blade Powdered Metal	

Footnotes:

44" & 50" Mower Deck - Belt, Idler Arm & Hitch Group

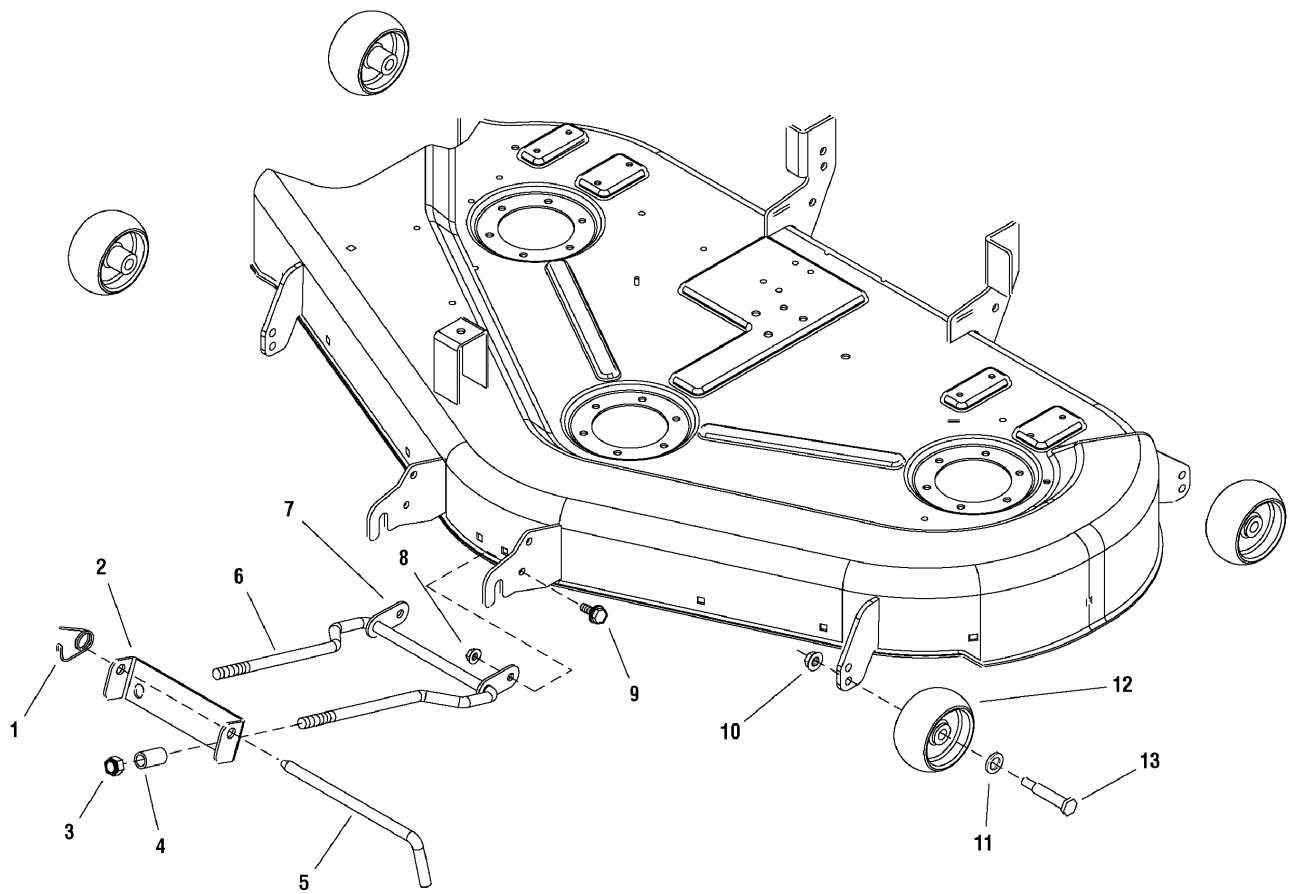


44" & 50" Mower Deck - Belt, Idler Arm & Hitch Group

Item	Part No	Qty	Description	Note
1	1960339	2	NUT, Hex Flange Center Locking, 3/8-16	
2	1924356	2	WASHER, Plain, 13/32 x 1-1/2 x 1/8	
3	1730090A	1	ARM, Idler 7GA	
4	1714255	1	SPACER	
5	1921972	1	CAPSCREW, Hex Head, 3/8-16 x 2-1/2	
6	1924940	1	WASHER, 3/8	
7	2171247	1	PULLEY ASSEMBLY	
8	1667812	1	SPACER	
9	1931211	1	NUT, Whizlock, 3/8-16	
10	1656936	1	SPRING, Extension, Idler Arm	(44" Mower Deck)
10	1715435	1	SPRING, Extension, Idler Arm	(50" Mower Deck)
11	1729627	1	V BELT, Arbor Drive, 44"	
11	1732409	1	V BELT, Arbor Drive, 44"	(CE Only)
11	1703466	1	V-BELT, Arbor Drive, 50"	
12	1922605	1	CAPSCREW, Hex Head, 3/8-16 x 1-1/4, G8	

Footnotes:

44" & 50" Mower Deck - Height Adjustment & Roller Bar Group

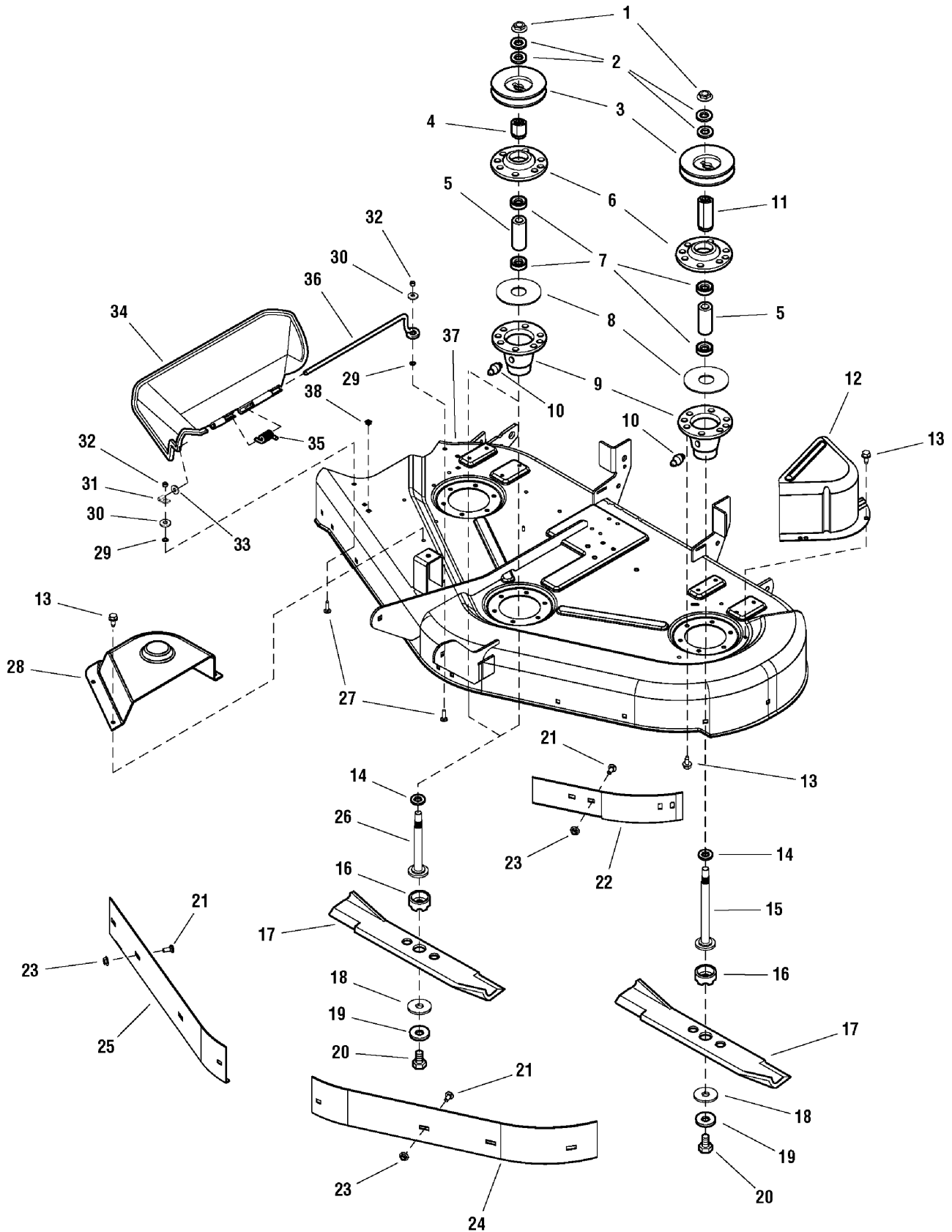


44" & 50" Mower Deck - Height Adjustment & Roller Bar Group

Item	Part No	Qty	Description	Note
1	2176012	1	CLIP, Pin, Safety	
2	1730221A	1	HANGER, Front Mower	
3	1960379	2	NUT, ESNA, Lock, 1/2-13 (Thin)	
4	1679166	2	SPACER	
5	1731414	1	PIN, Hitch	
6	1730097	1	ROD, Bail Mowers Yellow	
7	1731899A	2	PLATE, PIVOT Lock 10 GA	
8	1931277	2	NUT, Hex, Flange Whizlock, 5/16-18	
9	1930591	2	CAPSCREW, Hex Head, Flange Whiz Lock, 5/16-18 x 3/4	
10	1960687	4	NUT, Hex Flange, 3/8-16 ESNA	
11	1960170	4	WASHER, 1/2	
12	1714760	4	WHEEL, Gauge	
13	2108765	4	BOLT, Rear Wheel	

Footnotes:

44" Mower Deck - Housing, Arbors & Blades Group

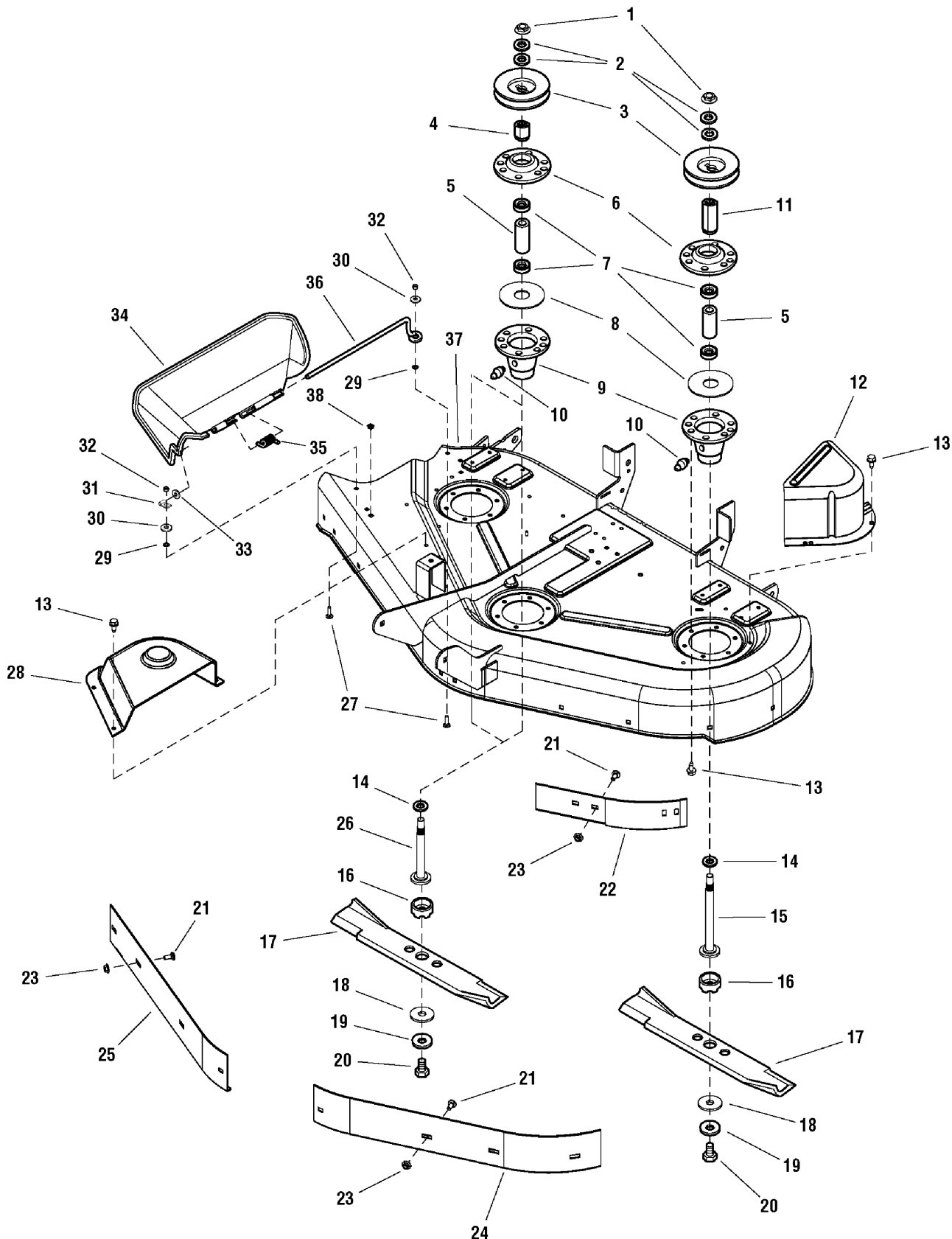


44" Mower Deck - Housing, Arbors & Blades Group

Item	Part No	Qty	Description	Note
1	1714419	3	NUT, Hex, Flange, 9/16-8	
2	1713675	6	WASHER, Belleville	
3	1713098	3	PULLEY, RH Arbor & LH Arbor, 4-1/4	
4	1713613	2	HUB, Pulley, RH	(Middle)
5	1713204	3	SPACER	
6	1713199A	3	COVER, Arbor Housing	
7	1705897	6	BEARING	
8	1707335	3	GASKET, Foam	
9	1713338A	3	HOUSING, Arbor Bottom, w/Lube Fitting	
10	1704314	1	FITTING, Grease	
11	1713616	1	HUB, Adapter, LH	
12	1720560A	1	COVER, Arbor	
13	1664847	29	CAPSCREW, Hex Head, Taptite, 5/16-18 x 3/4	
14	1713619	3	WASHER	
15	1713612	1	SHAFT, Arbor	
16	1713196	3	SHIELD, Grass, Lower	
17	1704100	3	BLADE, 44"	
18	1713089	3	WASHER, Hex	
19	1656916	3	WASHER, Spring	
20	2823471	3	CAPSCREW, Hex Head, 7/16-14 x 1-1/4	
21	1931333	2	BOLT, Carriage, 5/16-18 x 3/4	
21	1931333	8	BOLT, Carriage, 5/16-18 x 3/4	(CE Only)
22	1724538A	1	BAFFLE, Anti-Blowout	
23	1931277	2	NUT, Hex, Flange Whizlock, 5/16-18	
23	1931277	8	NUT, Hex, Flange Whizlock, 5/16-18	
24	1716879A	1	BAFFLE, Blowout LH, 44"	(CE Only)
25	1731990A	1	BAFFLE, Blowout RH, 44"	(CE Only)
26	1713609	2	SHAFT, Arbor, RH	
27	1960698	2	CARRIAGE BOLT, 1/4-20 x 1, Black	
28	1715673	1	COVER, Arbor, RH	
29	1960518	2	NUT, Push On	
30	1960353	2	WASHER, Plain, 1/4 (6 Total for Export)	
31	1704873	1	CLAMP	
32	1920397	2	NUT, Hex Lock, ESNA, 1/4-20	
33	1919326	1	WASHER, Flat, 5/16	
34	1705449	1	DEFLECTOR, Plastic	
35	1723938	1	SPRING	

Footnotes:

44" Mower Deck - Housing, Arbors & Blades Group

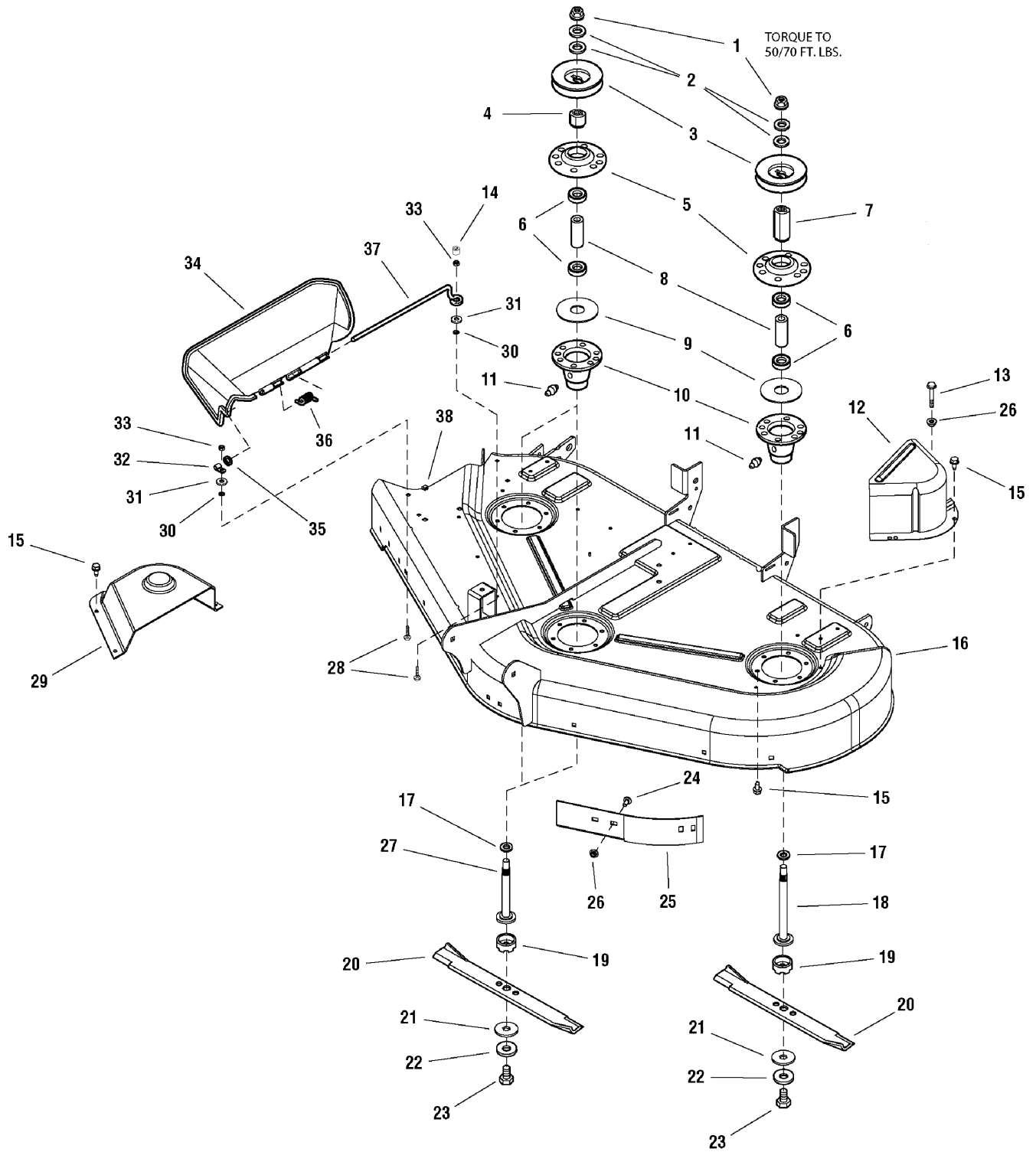


44" Mower Deck - Housing, Arbors & Blades Group

Item	Part No	Qty	Description	Note
36	1706709A	1	ROD, Deflector, Front	
37	1729597D	1	HOUSING ASSEMBLY, 44" Mower Frame Mount	
38	1705115	1	PLUG, Plastic	(Not Shown)

Footnotes:

50" Mower Deck - Housing, Arbors & Blades Group

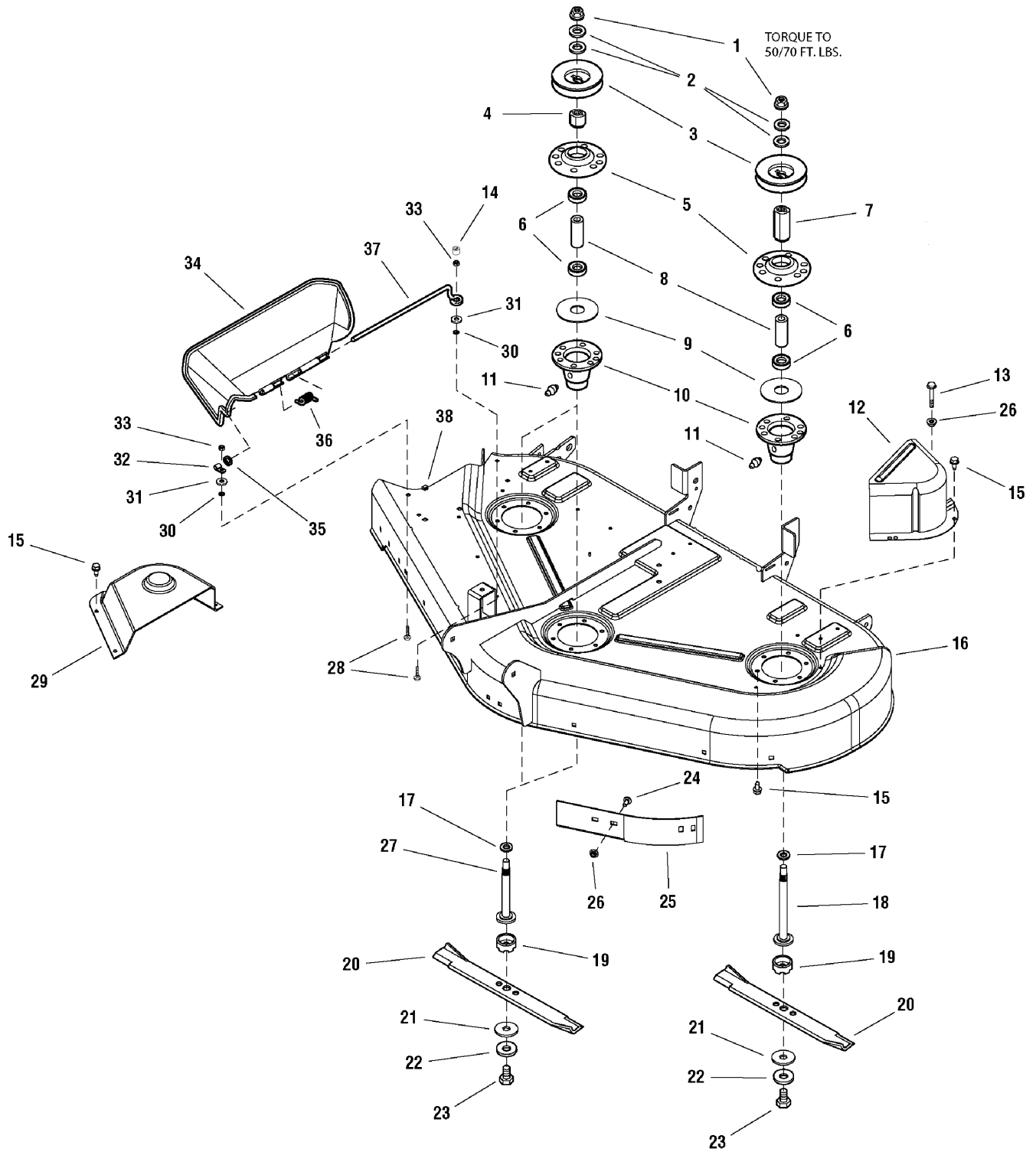


50" Mower Deck - Housing, Arbors & Blades Group

Item	Part No	Qty	Description	Note
1	1714419	3	NUT, Hex, Flange, 9/16-8	
2	1713675	6	WASHER, Belleville	
3	1713161	3	PULLEY, RH Arbor & LH Arbor, 4-1/2	
4	1713613	2	HUB, Pulley, RH	
5	1713199A	3	COVER, Arbor Housing	
6	1705897	6	BEARING	
7	1713616	1	HUB, Adapter, LH	
8	1713204	3	SPACER	
9	1707335	3	GASKET, Foam	
10	1713338A	3	HOUSING, Arbor Bottom, w/Lube Fitting	
11	1704314	1	FITTING, Grease	
12	1720560A	1	COVER, Arbor	
13	1960730	1	CAPSCREW, Hex Head, Serrated Flange Taptite, 5/16-18 x 2 G5	
14	1916622	1	NUT, 1/4-20	
15	1664847	26	CAPSCREW, Hex Head, Taptite, 5/16-18 x 3/4	
16	1728998D	1	HOUSING ASSEMBLY, 50" Frame Hung	
17	1713619	3	WASHER	
18	1713612	1	SHAFT, Arbor	
19	1713196	3	SHIELD, Grass, Lower	
20	1708229	3	BLADE, 18-1/8, 50" Deck	
21	1713089	3	WASHER, Hex	
22	1656916	3	WASHER, Spring	
23	2823471	3	CAPSCREW, Hex Head, 7/16-14 x 1-1/4	
24	1931333	2	BOLT, Carriage, 5/16-18 x 3/4	
25	1724538A	1	BAFFLE, Anti-Blowout	
26	1931277	3	NUT, Hex, Flange Whizlock, 5/16-18	
27	1713609	2	SHAFT, Arbor, RH	
28	1960698	2	CARRIAGE BOLT, 1/4-20 x 1, Black	
29	1715673	1	COVER, Arbor, RH	
30	1960518	2	NUT, Push On	
31	1960353	2	WASHER, Plain, 1/4 (6 Total for Export)	
32	1704873	1	CLAMP	
33	1920397	2	NUT, Hex Lock, ESNA, 1/4-20	
34	1705449	1	DEFLECTOR, Plastic	
35	1919326	1	WASHER, Flat, 5/16	
36	1723938	1	SPRING	
37	1706709A	1	ROD, Deflector, Front	

Footnotes:

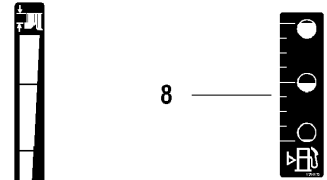
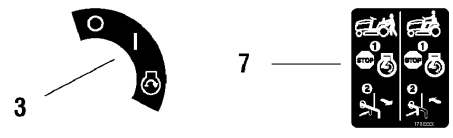
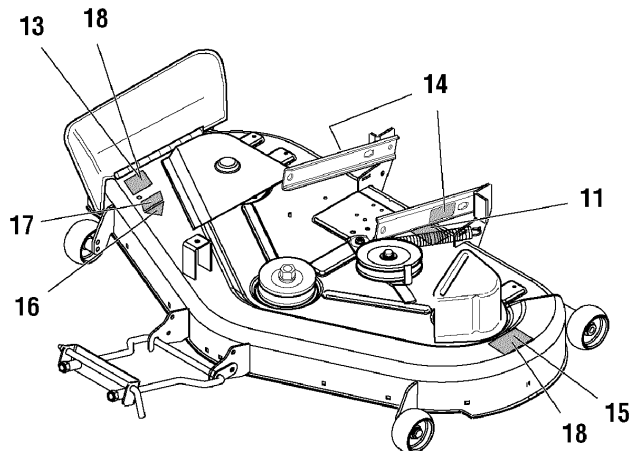
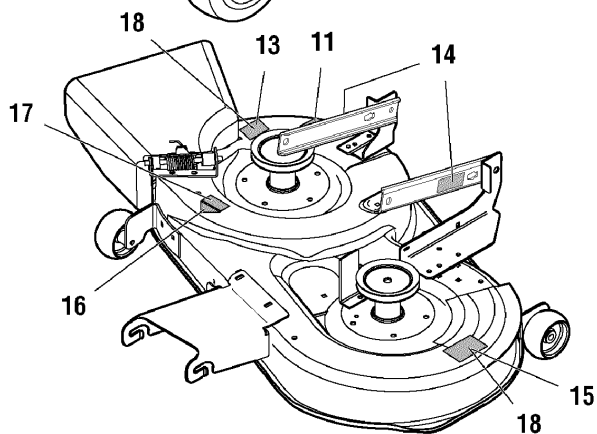
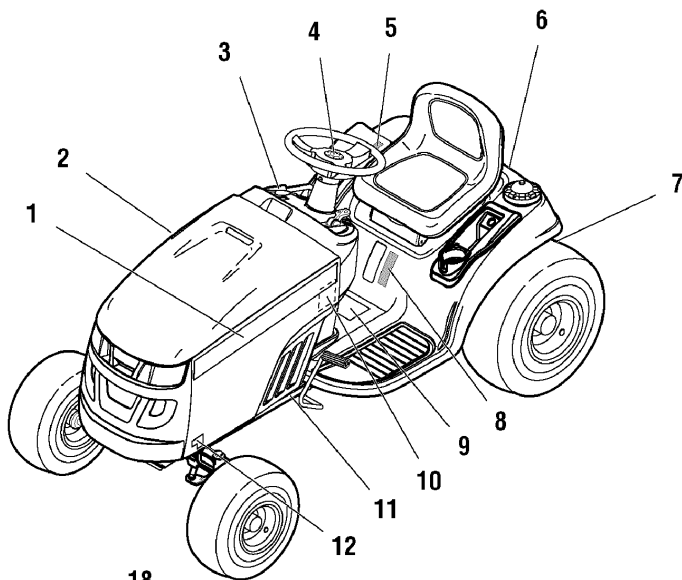
50" Mower Deck - Housing, Arbors & Blades Group



50" Mower Deck - Housing, Arbors & Blades Group

Item	Part No	Qty	Description	Note
38	1705115	1	PLUG, Plastic	

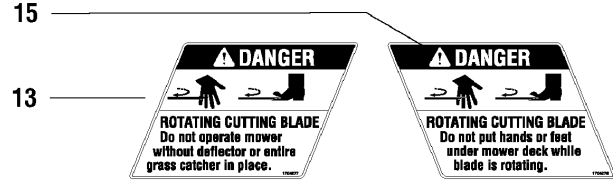
Footnotes:



XXXXX TRACTORS
DRIVE BELTS & MOWER BLADES

Transmission belt	XXXXX
Color	XXXXXX
Part No.	XXXXXX
M1 Mower	
Drive Belt	XXXXXX
Mower Blade - Left	XXXXXX
Mower Blade - Right	XXXXXX
M2 Mower	
Drive Belt	XXXXXX
Mower Blade	XXXXXX
M3 Mower	
Drive Belt	XXXXXX
Mower Blade	XXXXXX
M4 Mower	
Drive Belt	XXXXXX
Mower Blade	XXXXXX

For safety and reliability, refer to genuine Xxxxxx Manufacturing Inc. belts and blades... and never change on the belt for your convenience of quality.



Decals Group

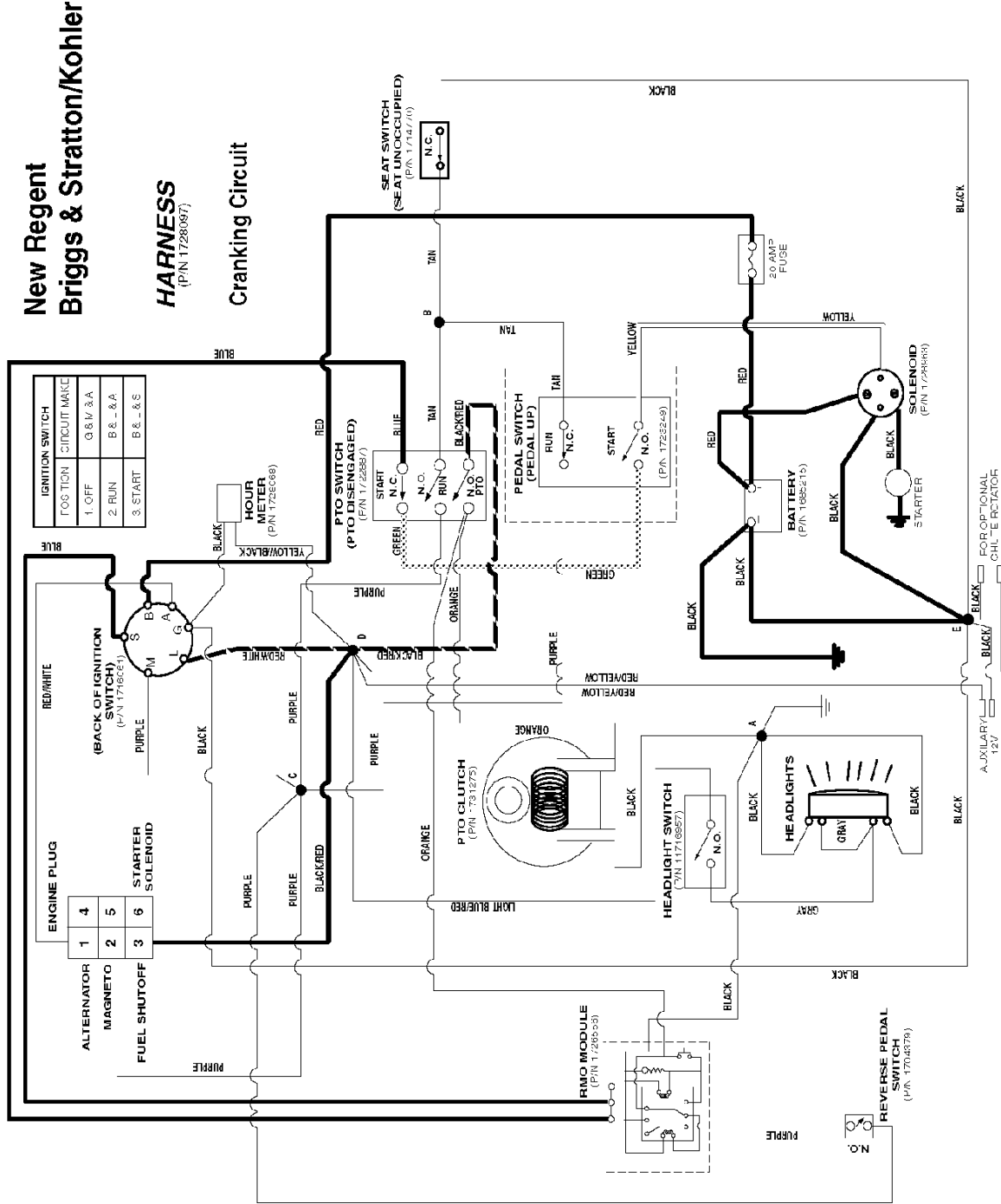
Item	Part No	Qty	Description	Note
1	1731392	1	DECAL, Snapper, LH Hood Stripe	
2	1731393	1	DECAL, Snapper, RH Hood Stripe	
3	1722806	1	DECAL, Ignition Switch Symbol, White/Black	
4	1731419	1	DECAL, Steering Wheel Icon	
5	1730264	1	DECAL, Height of Cut	
6	1731955	1	DECAL, Snapper Rear Stripe, Silver/ 8.5LG	
7	1730202	1	DECAL, Transmission Tow/ Release Lever	
8	1730172	1	DECAL, Fuel Level	
9	1730170	1	DECAL, Tunnel	
9	1723175	1	DECAL, Safety Instructions (CE)	
10	1731956	1	DECAL, Belts, Blades	
11	*	1	DECAL, ID Plate	
12	1731927	1	DECAL, LT200 18.5HP	
12	1731928	1	DECAL, LT200 20HP	
12	1731929	1	DECAL, LT200 22HP	
13	1704277	1	DECAL, Danger, Chute in Place	
14	1732070	1	DECAL, Pinch Point	
15	1704276	1	DECAL, Danger, Hand Under Deck	
16	*	1	DECAL, OPEI	
17	1722787	1	DECAL, 38"	
17	1731924	1	DECAL, 42"	
17	1722790	1	DECAL, 50"	
18	1720389	1	DECAL, Hand Under Deck (CE)	

Footnotes:

Note* Not a serviceable part.

Note* Not a serviceable part.

Wiring Schematic (1728097)



Wiring Schematic (1728097)

Item	Part No	Qty	Description	Note
			Wiring Schematic (for 1728097 Harness)	

Footnotes:

Parts Manual for

SNAPPER[®]

ELECTRIC CLUTCH HYDRO DRIVE RMO TRACTORS LT-200 SERIES

IT IS THE POLICY OF SNAPPER TO IMPROVE ITS PRODUCTS
WHENEVER IT IS POSSIBLE AND PRACTICAL TO DO SO. WE
RESERVE THE RIGHT TO MAKE CHANGES OR ADD IMPROVEMENTS
AT ANY TIME WITHOUT INCURRING ANY OBLIGATION TO MAKE
SUCH CHANGES ON PRODUCTS MANUFACTURED PREVIOUSLY.

SNAPPER McDonough, GA, 30253 U.S.A.