

Parts Manual for

SNAPPER®

LAWN TRACTORS MANUAL CLUTCH HYDRO DRIVE SERIES H & I



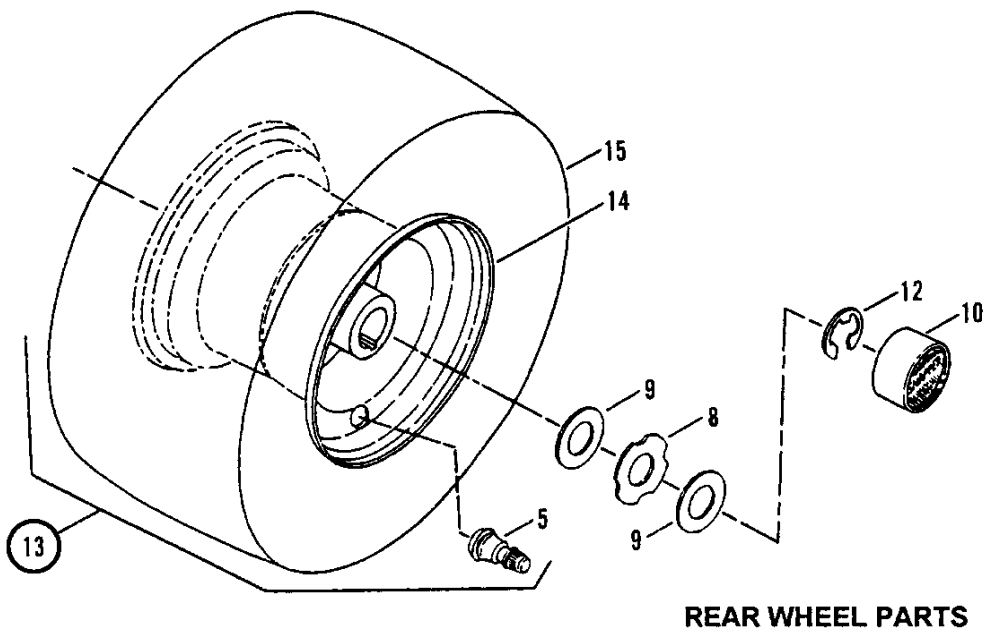
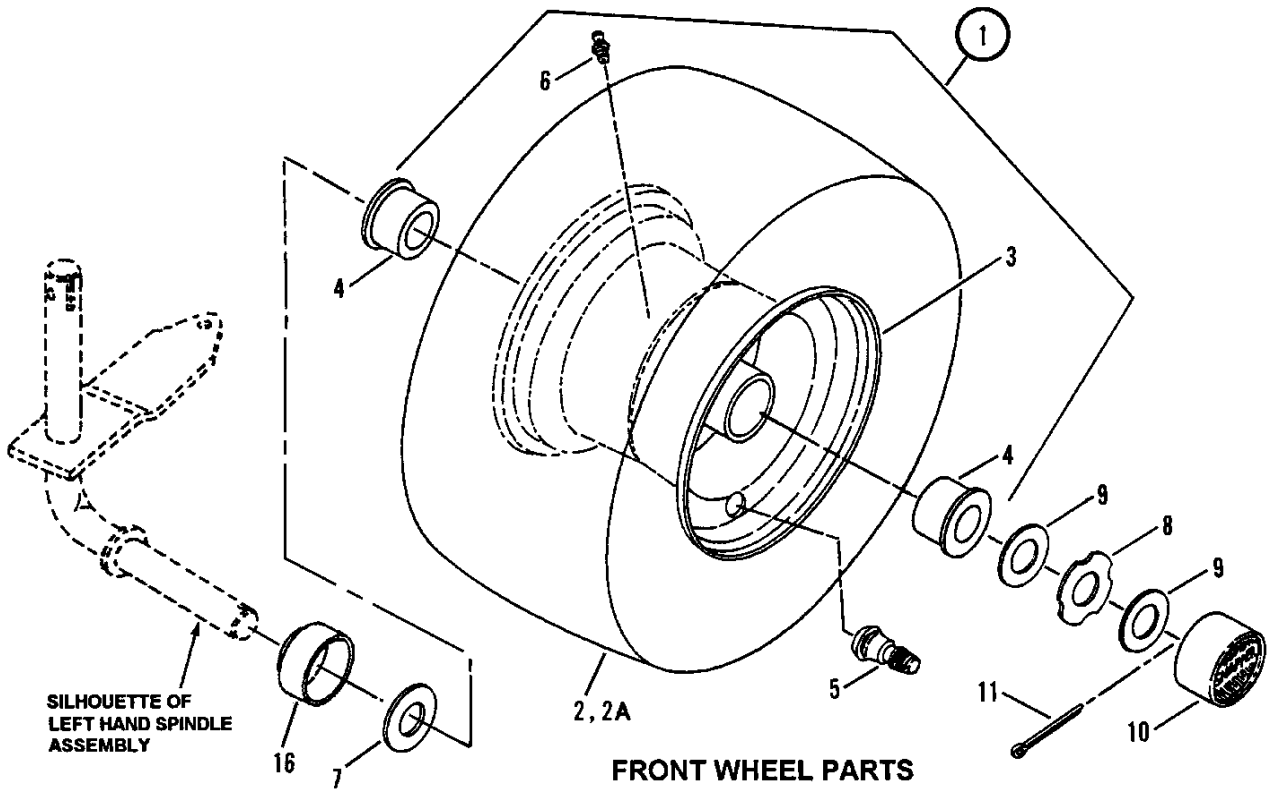
MODEL

**ELT145H33HBV
ELT150H33IBV
ELT180H33IBV
LT145H33HBV
LT145H38HBV
LT150H33IBV
LT150H38HKV
LT150H38IBV
LT180H33IBV
LT180H38IBV
WLT145H38HBV
WLT150H38IBV**

SNAPPER® McDonough, GA, 30253 U.S.A.

PAGE	GROUP
4	WHEELS, FRONT & REAR
6	HOOD, BUMPER, HEADLIGHTS & COMPONENTS
10	STEERING WHEEL, CONSOLE, FUEL TANK
14	SEAT, REAR FENDER & COMPONENTS
18	FRONT AXLE
22	FRAME, CLUTCH, BRAKE & STEERING COMPONENTS
28	TRANSMISSION GROUP (Hydro Drive)
30	HYDRO RESERVOIR ASSEMBLY
32	BELT GUIDE ASSEMBLY
34	BLADE ENGAGEMENT & TRANSMISSION CONTROLS
38	IMPLEMENT LIFT PARTS
40	ENGINE COMPONENTS
44	33" CUTTING DECK, BELTS, BRAKES
50	38" CUTTING DECK, BELTS, BRAKES PT.1
52	38" CUTTING DECK, BELTS, BRAKES PT.2
56	SPINDLE- 33" CUTTING DECK
58	SPINDLE- 38" CUTTING DECK
60	DECALS PT. 1
62	DECALS PT. 2
64	DECALS PT. 3
66	ELECTRICAL COMPONENTS
68	ELECTRICAL SCHEMATIC (Series H)
70	ELECTRICAL SCHEMATIC (15 H.P. Series I)
72	ELECTRICAL SCHEMATIC (18 H.P. Series I)

WHEELS, FRONT & REAR

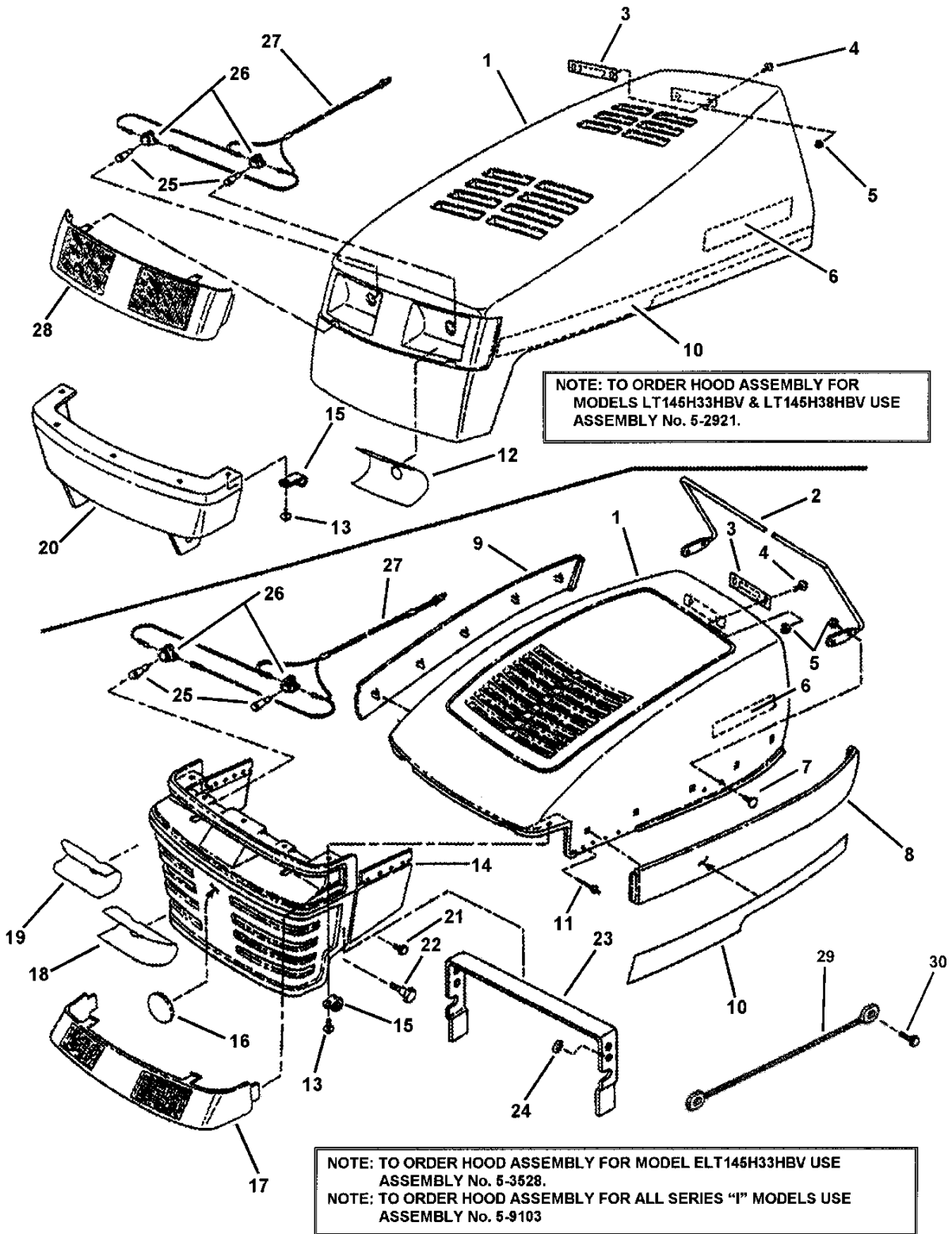


WHEELS, FRONT & REAR

Item	Part No	Qty	Description	Note
1	7058515	2	ASSEMBLY, Front Tire & Rim (Incl. items 2, 3, 4, 5 & 6)	<i>used on LT145H33HBV, ELT145H33HBV, LT150H33IBV & ELT150H33IBV</i>
--	7058517	2	ASSEMBLY, Front Tire & Rim (Incl. items 2A, 3, 4, 5 & 6)	<i>used on LT145H38HBV, LT150H38HBV, LT150H38IBV & WLT150H38IBV</i>
2	7072702	1	TIRE, 13 x 5.00 K500- Tread Kenda	<i>per front tire assembly</i>
2A	7072704	1	TIRE, 15 x 6.00-6 K500 Tread Kenda	<i>per front tire assembly</i>
3	7022772	1	RIM, 6.00 x 3.50, Grey	<i>per front tire assembly</i>
4	7014483	2	BEARING, Wheel PM	<i>per front tire assembly</i>
5	7012234	1	VALVE STEM, Air (Snap-In)	<i>per front & rear tire assemblies</i>
6	7076998	1	FITTING, Lube 1/4-28 Tapered Thread	<i>Was 13876, per front tire assembly</i>
7	7010935	1	WASHER, 5/32 x 25/32" I.D. x 1-1/2" O.D. Flat	<i>per front tire assembly</i>
8	7029618	1	WASHER, Hub-Cap Retaining	<i>per front & rear tire assemblies</i>
9	7029617	2	WASHER, 3/4 x 1-5/16 x 1/16"	<i>per front & rear tire assemblies</i>
10	7011022	1	HUB CAP	<i>per front & rear tire assemblies</i>
11	7091516	1	PIN, 5/32 x 1" Cotter	<i>per front tire assembly</i>
12	7010746	1	RING, 3/4" External Retaining	<i>Was 29738, per rear tire assembly</i>
13	7058518	2	ASSEMBLY, Rear Tire & Rim (Includes items 5, 14 & 15)	
14	7024454	1	RIM, 8 x 7.00 Keyed Hub, Grey	<i>per rear tire assembly</i>
15	7072705	1	TIRE, 18 x 8.50-8 K500 Tread, Kenda	<i>per rear tire assembly</i>
16	7031038	1	DUST CAP	<i>per front tire assembly</i>

Footnotes:

HOOD, BUMPER, HEADLIGHTS & COMPONENTS



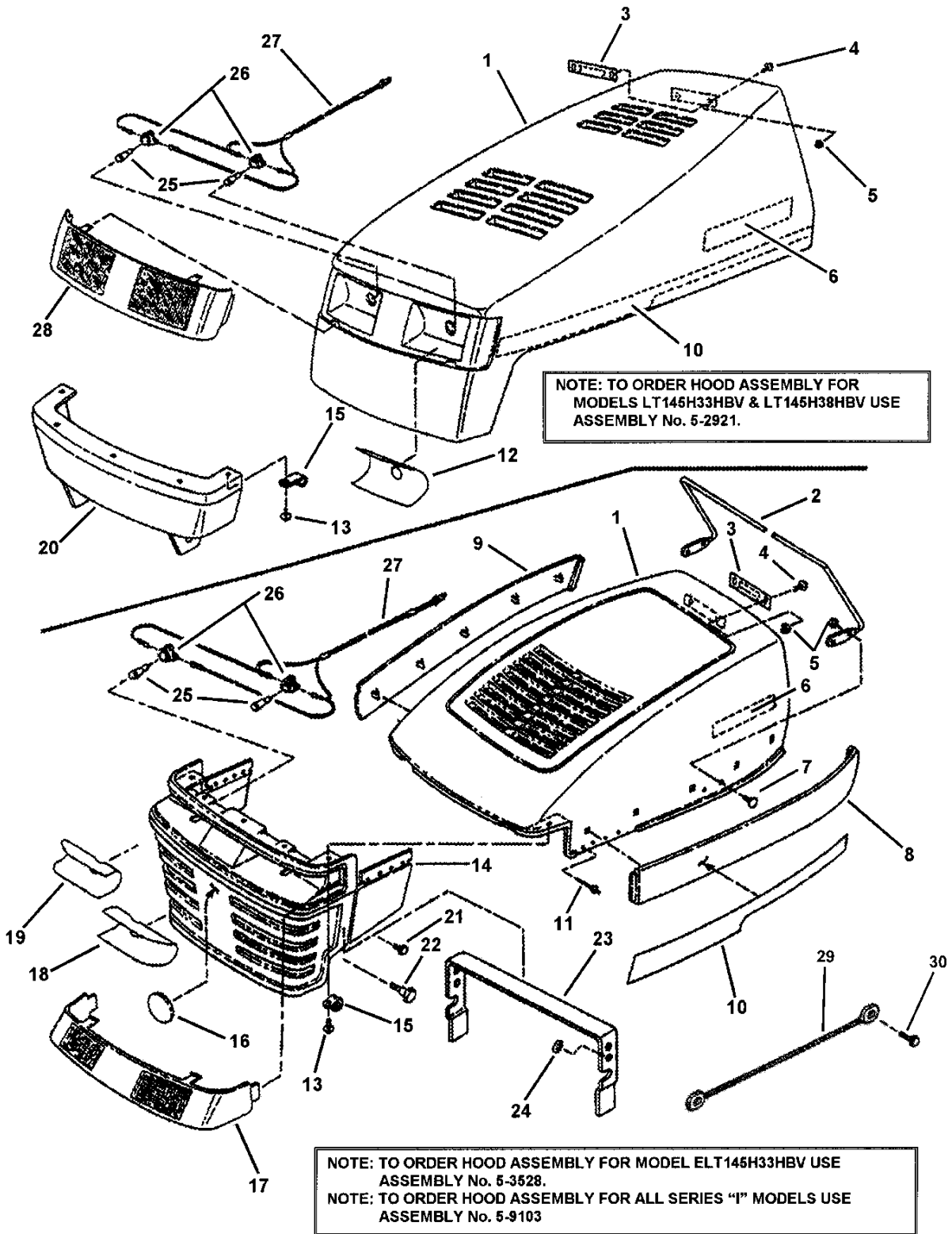
HOOD, BUMPER, HEADLIGHTS & COMPONENTS

Item	Part No	Qty	Description	Note
1	7063298	1	HOOD	Was 24605 (all Series "H" except ELT145H33HBV)
--	7024471	1	HOOD, Mozart	used on ELT145H33HBV Model
--	7063298	1	HOOD, Mozart-Scoop-Red	Was 26406 or 61383, used on All Series "I" Models
2	7016766	1	ROD, Hood Support	
3	7024718	1	CLIP, Spring-Latch	
4	7090999	2	SCREW, 1/4-20 x 5/8 Pan Head Self-Tap (Torx)	
5	7076978	6	NUT, 1/4-20 Hex Nyloc	
6	7073905	2	DECAL, Snapper- Hood- 3D Silver Letters	
7	7090803	4	BOLT, 1/4-20 x 5/8" Flat Head Square Neck, GR 5	
8	7029572	1	PANEL, Hood, Left Hand, Black	used on ELT145H33HBV Model
9	7029571	1	PANEL, Hood, Right Hand, Black	used on ELT145H33HBV Model
10	7029076	1	DECAL, Hood "LE1433H", Right Hand	See foot note #1
--	7029075	1	DECAL, Hood "LE1433H", Left Hand	See foot note #1
--	7073847	1	DECAL, Hood "LE14538H", Right Hand	See foot note #2
--	7073846	1	DECAL, Hood "LE14538H", Left Hand	See foot note #2
--	7073294	1	DECAL, Hood "LE1538H", Right Hand	used on LT150H38HKV Model
--	7073295	1	DECAL, Hood "LE1538H", Left Hand	used on LT150H38HKV Model
--	7074998	1	DECAL, Hood "LT1533H", Right Hand	See foot note #3
--	7074999	1	DECAL, Hood "LT1533H", Left Hand	See foot note #3
--	7075000	1	DECAL, Hood "LT1538H", Right Hand	See foot note #4
--	7075001	1	DECAL, Hood "LT1538H", Left Hand	See foot note #4
--	7075096	1	DECAL, Hood "LT1833H", Right Hand	used on LT & ELT180H33IBV
--	7075095	1	DECAL, Hood "LT1833H", Left Hand	used on LT & ELT180H33IBV
--	7075284	1	DECAL, Hood "LT1838H", Right Hand	used on LT180H38IBV
--	7075285	1	DECAL, Hood "LT1838H", Left Hand	used on LT180H38IBV
11	7091095	8	POP RIVET, 1/8 x 3/8"	
12	7017175	1	DECAL, Clear Lens, Left Hand	See foot note #5
--	7017174	1	DECAL, Clear Lens, Right Hand	See foot note #5
13	7091106	5	SCREW, M4.8 x 1.59 x 16mm HXCRHD Sems Special	
14	7029570	1	GRILL, Sloped, Black	See foot note #6
15	7026482	1	CLIP, "J" Open Type .4 Bundle Dia., .281 Dia. Hole	
16	7026377	1	DECAL, Molded Medallion	Was 71544 (used on Series "H" Models)
17	7029602	1	LENS, Rippled, Sloped	
18	7026180	1	DECAL, Lens/Reflector-LH Sloped Grill	See foot note #6
19	7026179	1	DECAL, Lens/Reflector-RH Sloped Grill	See foot note #6
20	7029620	1	BUMPER, Front Hood Support	
21	7090858	4	SCREW, 5/16-18 x 1/2" Hex Washer Self-Tap	

Footnotes:

1. Used on LT145H33HBV & ELT145H33HBV
2. Used on LT145H38HBV & WLT145H38HBV
3. Used on LT150H33IBV & ELT150H33IBV
4. Used on LT150H38IBV & WLT150H38IBV
5. Used on all Series "H" Models except ELT145H33HBV
6. Used on ELT145H33HBV and all Series "I"

HOOD, BUMPER, HEADLIGHTS & COMPONENTS



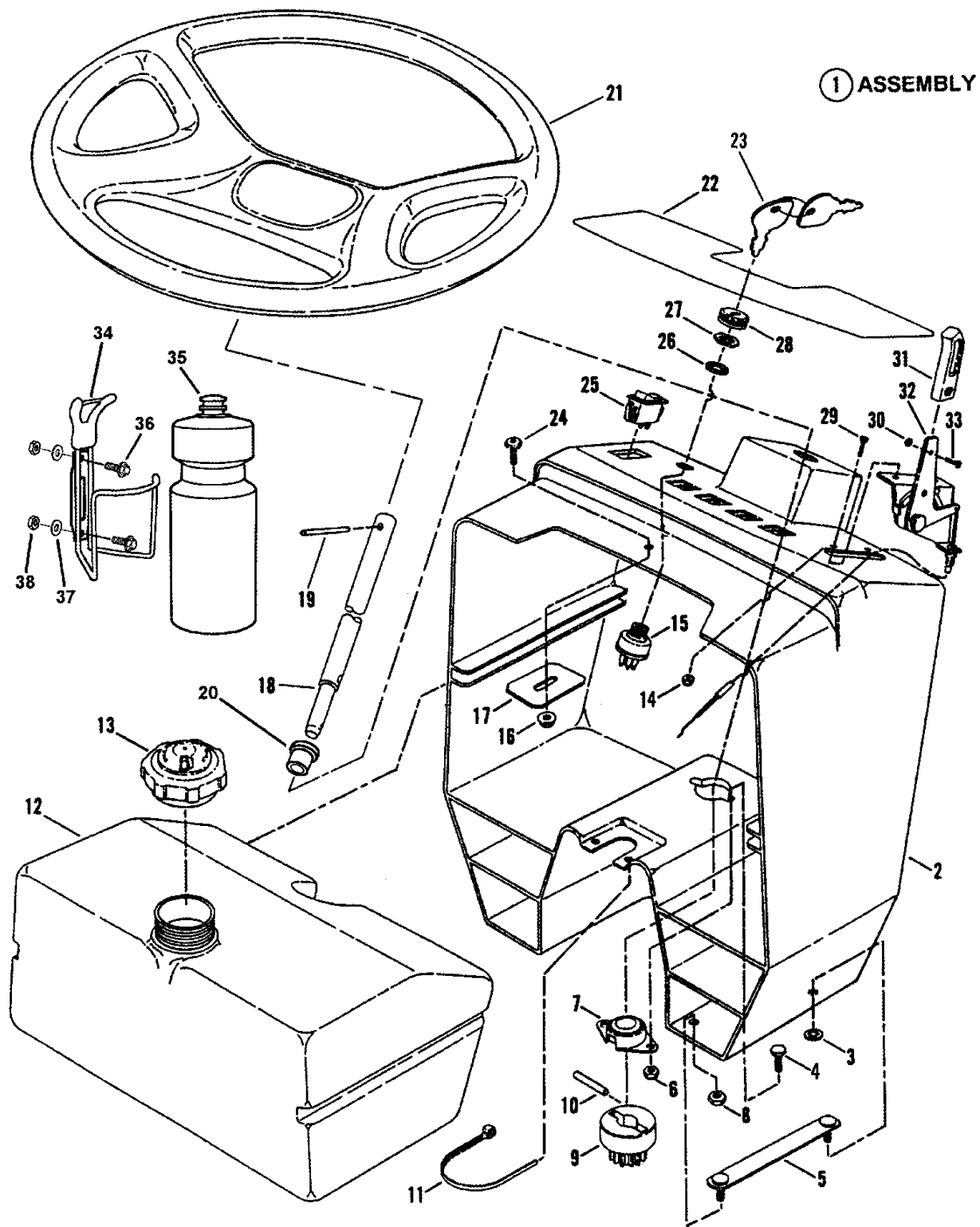
HOOD, BUMPER, HEADLIGHTS & COMPONENTS

Item	Part No	Qty	Description	Note
22	7024061	2	SHOULDER BOLT, 3/8-16 x 1-1/4" Hex Socket	
23	7034324	1	BRACE. Hood Support/Stop	
24	7011791	4	RETAINER, 5/16" Bolt	
25	7026172	2	LAMP 1141, Headlight	
26	7024709	2	SOCKET, Headlight Snap-In	
27	7026171	1	HARNESS, Headlight M&G Sockets	
28	7024893	1	LENS, Clear (Models with Headlights)	
29	7075068	1	LANYARD, Hood, 14-3/4" long	
30	7092098	1	SCREW, 1/4-20 x 1-1/4" Hex Head Cap w/Locking Patch	

Footnotes:

1. Used on LT145H33HBV & ELT145H33HBV
2. Used on LT145H38HBV & WLT145H38HBV
3. Used on LT150H33IBV & ELT150H33IBV
4. Used on LT150H38IBV & WLT150H38IBV
5. Used on all Series "H" Models except ELT145H33HBV
6. Used on ELT145H33HBV and all Series "I"

STEERING WHEEL, CONSOLE, FUEL TANK



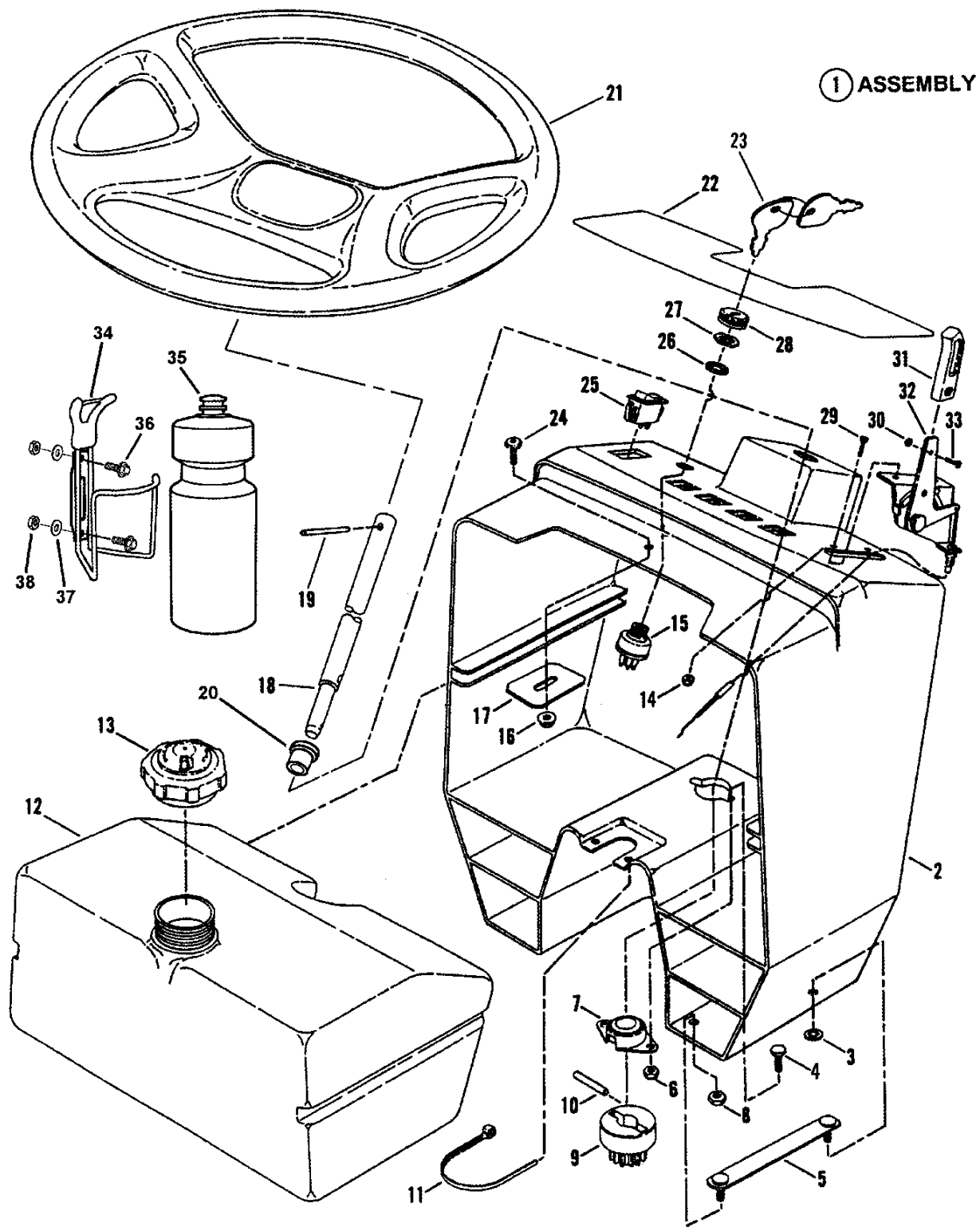
STEERING WHEEL, CONSOLE, FUEL TANK

Item	Part No	Qty	Description	Note
1	7053746	1	ASSEMBLY, Console (Includes items 2 thru 7)	
2	7028565	1	CONSOLE, OPPLT-Electric Clutch	
3	7011791	4	RETAINER, 5/16" Bolt	
4	7091495	2	SCREW, 1/4-20 x 3/4" Hex Head Cap, GR 5	
5	7053398	2	ASSEMBLY, Strap-Clinch Stud	<i>was 52891</i>
6	7076978	2	NUT, 1/4-20 Hex Nyloc	
7	7026196	1	ASSEMBLY, BEARING, Flange .75 I.D. PM	
8	7091575	4	NUT, 5/16-18 Hex Center Lock, GR 5 or B	
9	7022368	1	GEAR, Pinion, Steering Shaft	
10	7022369	1	PIN, Dowel, 1/4 x 1-1/4"	
11	7024641	1	WIRE TIE, 1.29 long Black	
12	7052907	1	ASSEMBLY, Fuel Tank/Cap 8-QT (Incl. item 13)	
13	7012515	1	CAP, Fuel Tank	<i>Was 14363</i>
14	7091290	2	NUT, #10-24 Hex Nyloc	<i>Was 91599</i>
15	7026343	1	SWITCH, Ignition-Afterfire Solenoid (Incl. item 27)	
16	7090951	1	NUT, 5/16-18 Hex Large Flange Center Lock	
17	7033883	1	BRACKET, Hood Latch Catch	
18	7022380	1	SHAFT, Steering	
19	7012765	1	PIN, .26 x 2-1/4" Spiral	
20	7035496	1	BEARING, .750 I.D.	
21	7029595	1	STEERING WHEEL, Kelch Vector	
22	7028561	1	DECAL, Console	<i>(Hydro Drive Models- with lights)</i>
--	7073579	1	DECAL, Console Basic	<i>used on All Series "I" Models</i>
23	7011138	1	KEY, Pair	
24	7091001	1	SCREW, 5/16-18 x 5/8" Truss Head (Torx)	
25	7023187	1	LIGHT SWITCH, Rocker SPST	
26	7029714	1	SPACER, .65 x .88 x .10	
27	7012685	1	NUT, 5/8-32 Hex	<i>Was 29721</i>
28	7023506	1	BEZEL	
29	7091188	2	SCREW, #10-24 x 5/8" Flat Head Cross Countersunk Machine	
30	7091018	1	NUT, #8-32 Hex, GR 2 or B	
31	7023655	1	LEVER, Throttle Control	
32	7024642	1	* CONTROL, Throttle (conduit length: 44.60")	
--	7024530	1	CONTROL, Throttle (conduit length: 47.60")	<i>LT180H33IBV, ELT180H33IBV & LT180H38IBV</i>
33	7091017	1	SCREW, #8-32 x 3/8" Cross-Recessed, Fillester Head, GR 2	
34	7074560	1	HOLDER, BOTTLE (wire)	
35	7074561	1	BOTTLE, Water	

Footnotes:

*NOTE: Snapper Part Number is stamped on throttle control conduit.

STEERING WHEEL, CONSOLE, FUEL TANK



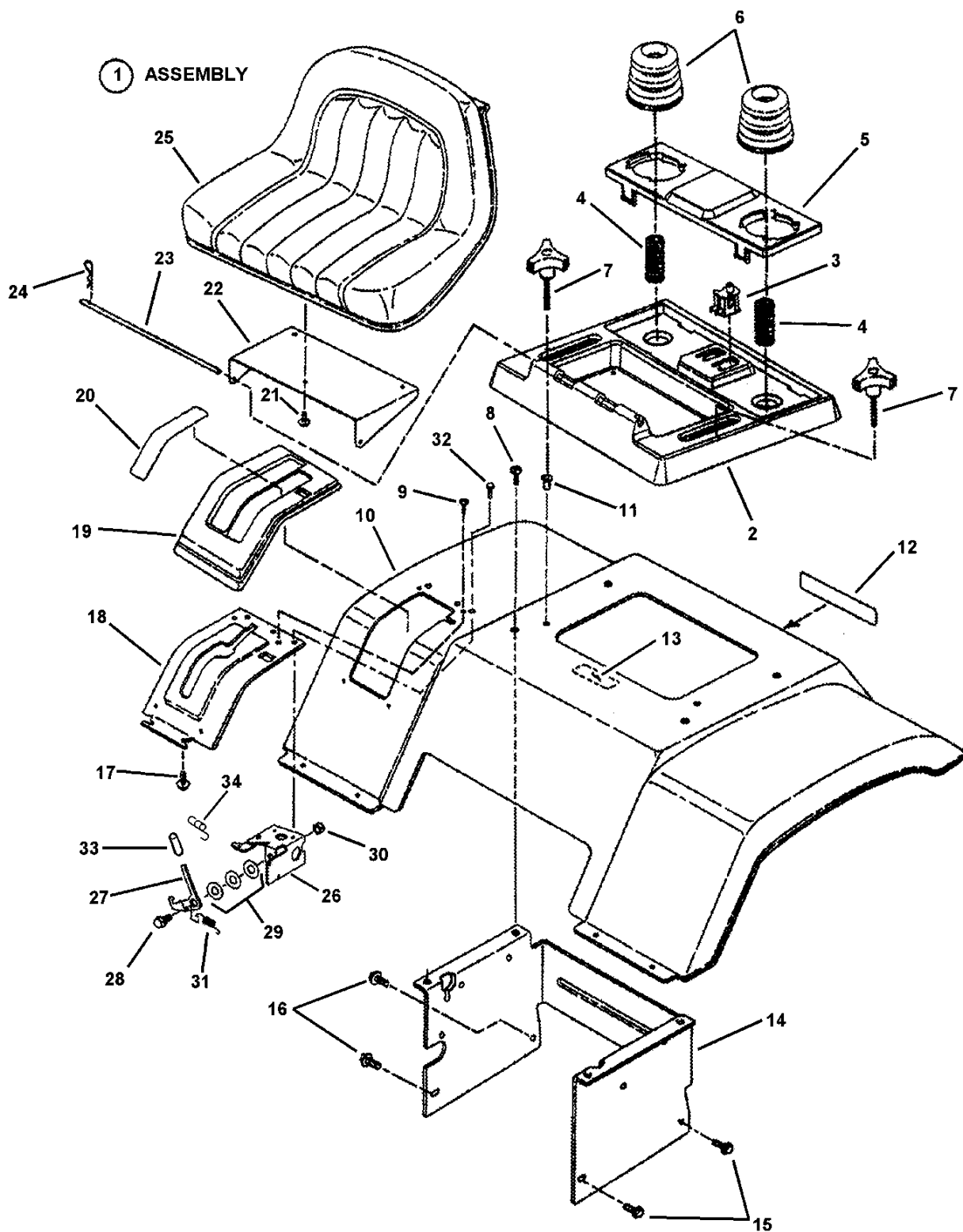
STEERING WHEEL, CONSOLE, FUEL TANK

Item	Part No	Qty	Description	Note
36	7091075	2	SCREW, #10-24 x 5/8" Hex Washer Self-Tap	<i>Was 90363</i>
37	7091552	2	WASHER, .219 x .500 x .049 Flat	
38	7091290	2	NUT, #10-24 Hex Nyloc	

Footnotes:

*NOTE: Snapper Part Number is stamped on throttle control conduit.

SEAT, REAR FENDER & COMPONENTS

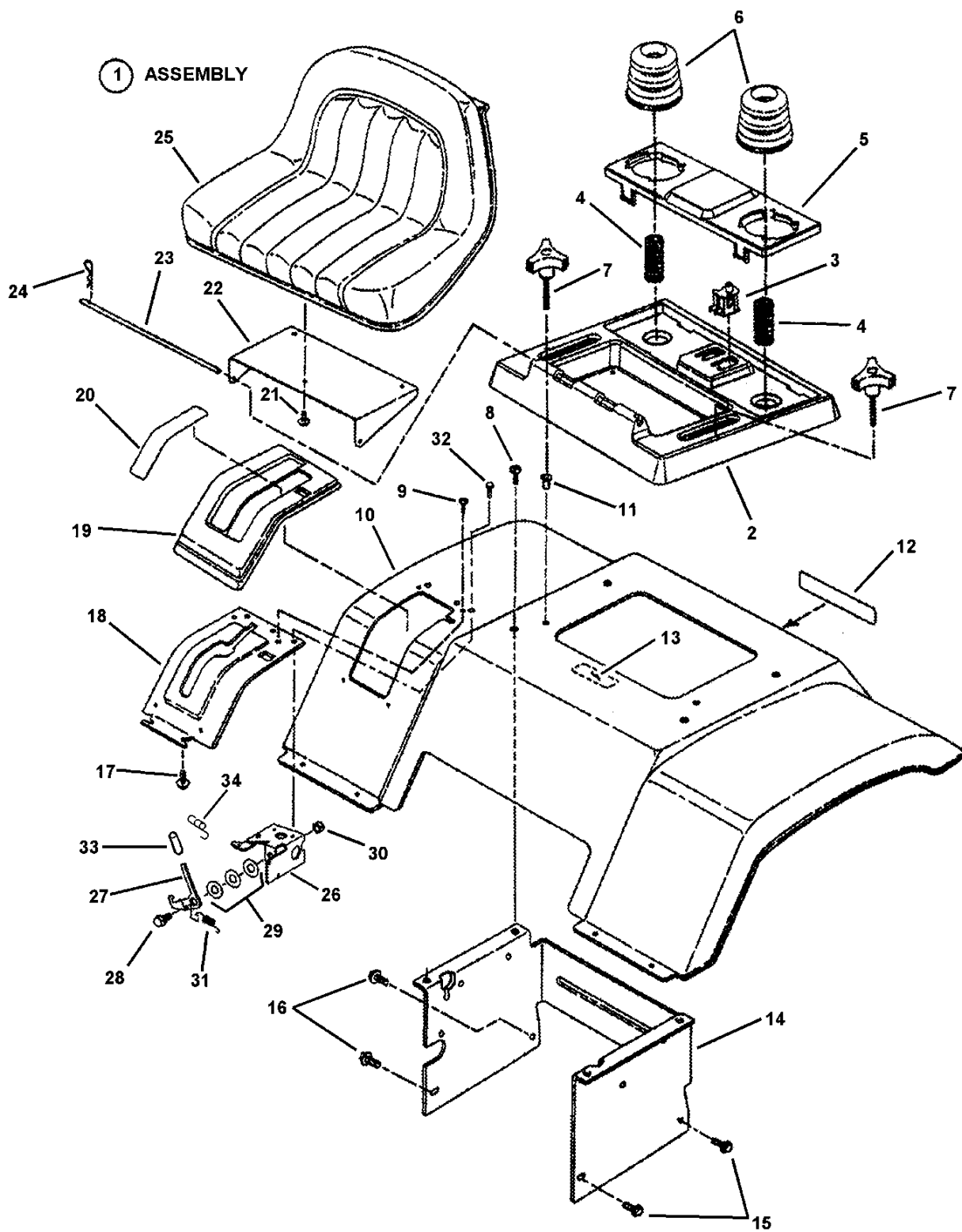


SEAT, REAR FENDER & COMPONENTS

Item	Part No	Qty	Description	Note
1	7059215	1	ASSEMBLY, Seat Support	Was 53761 (Includes 2, 3, 4 & 5)(“H” Models)
--	7059215	1	ASS'Y, Seat Support (Incl. items 2A, 3, 4 & 5)	used on Series “I” Models
2	7074204	1	SUPPORT, Seat	Was 28579 used on Series “H” Models
2A	7074204	1	SUPPORT, Seat- Electric Clutch	used on Series “I” Models
3	7023354	1	SWITCH, Seat, Gray (NC)	
4	7073266	2	SPRING, Cushion Holder	
5	7028580	1	HOLDER, Seat Cushion Electric Clutch	
6	7019109	2	SPRING COVER, Rubber	
7	7017875	2	KNOB, 3 Prong 5/16-18 x 2” Stud	
8	7091001	4	SCREW, 5/16-18 x 5/8” Truss Head (Torx)	
9	7091819	4	SCREW, 1/4-20 x 5/8” Hex Washer Self-Tap	Was 90362
10	7073346	1	SEAT PAN, Tractor- “No Mow in Reverse” Fender	
11	7091761	2	RIV-NUT, 5/16-18 Round	
12	7073905	1	DECAL, Snapper- Hood- 3D, Silver Letters	replaces 22971
13	7026415	1	DECAL, Caution-Battery Installation, Fender	
14	7073344	1	SUPPORT, Fender, Electric Clutch-K 46	
15	7091523	2	SCREW, 5/16-18 x 5/8” Hex Washer Head	(Swage Form)
16	7091524	2	SCREW, 5/16-18 x 1-1/4” Swage	
17	7091105	4	SCREW, #10-16 x 1/2 HXWA	
18	7073347	1	QUADRANT- Shift- No Mow in Reverse	(Hydro Drive Models)
19	7073408	1	COVER, Shift (Black)	
20	7073424	1	DECAL, Shift Cover, 5-Speed	Was 16576, used on Series “H” Hydro Models
--	7073424	1	DECAL, Shift Cove, 5-Speed	used on Series “I” Hydro Models
21	7091681	3	BOLT, 5/16-18 x 1” Hex Flange Lock	
22	7033318	1	SUPPORT, Seat, Upper	
23	7074452	1	ROD, Seat Hinge	
24	7091503	1	HAIR PIN, 3/32 x 1.5”	
25	7028621	1	SEAT, Operator (V1400)	used on Series “H” Models
--	7075063	1	SEAT, Operator (Milsco XB110)	used on Series “I” Models
26	7058851	1	ASSEMBLY, Stop Latch- Lock Out	
27	7073306	1	LATCH, Override-No Mow in Reverse	
28	7015761	1	SHOULDER BOLT, 5/16-18	
29	7090953	3	SHIM-WASHER	
30	7091298	1	NUT, 5/16-18-3B Hex Nyloc	
31	7073223	1	SPRING, Extension- Manual No Mow	
32	7090913	2	SCREW, #10-24 x 1/2” Hex Washer Self-Tap (Torx)	Was 90307
33	7074632	1	CAP - Vinyl	

Footnotes:

SEAT, REAR FENDER & COMPONENTS

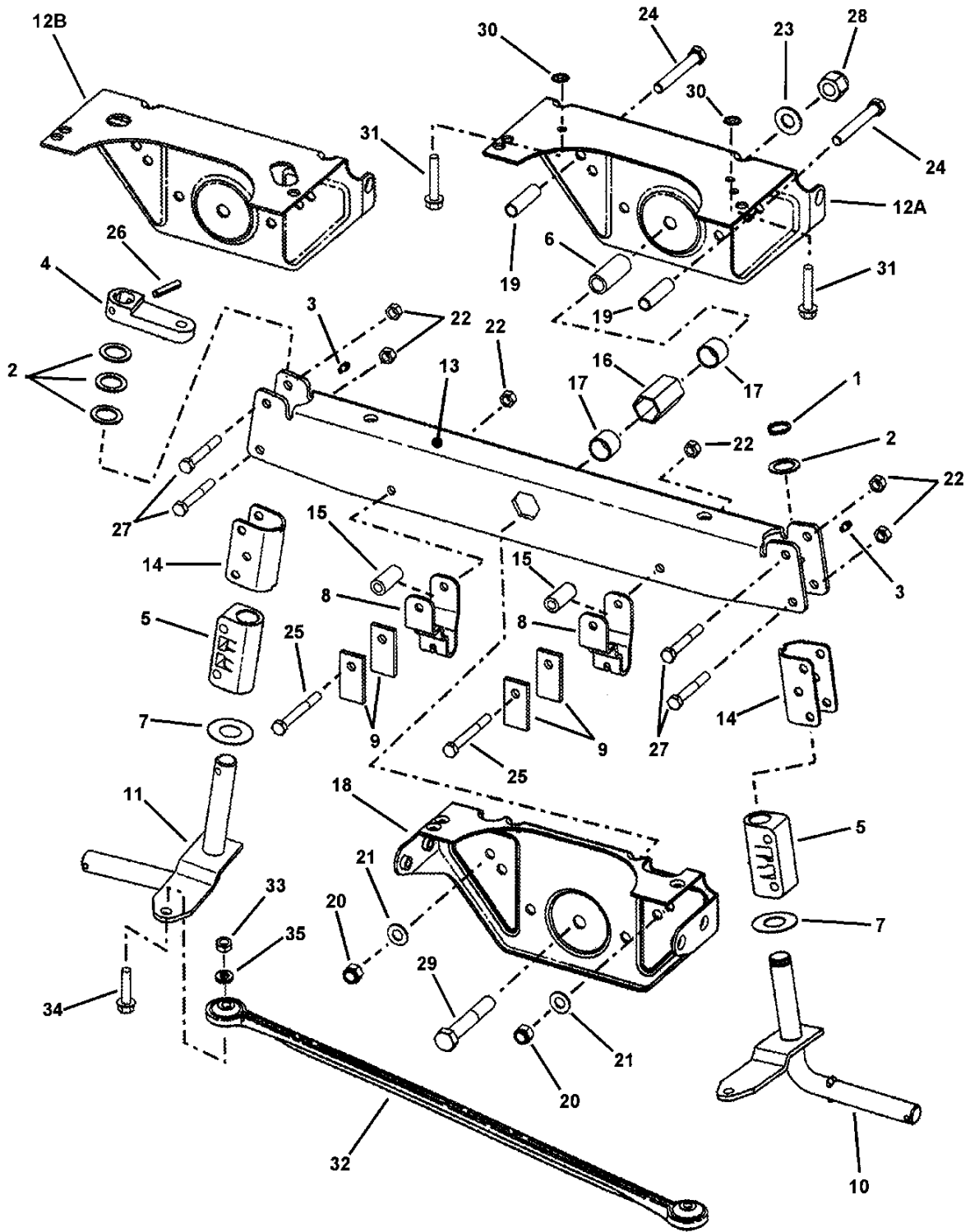


SEAT, REAR FENDER & COMPONENTS

Item	Part No	Qty	Description	Note
34	7043841	1	SPRING, Extension, Latch Return	

Footnotes:

FRONT AXLE

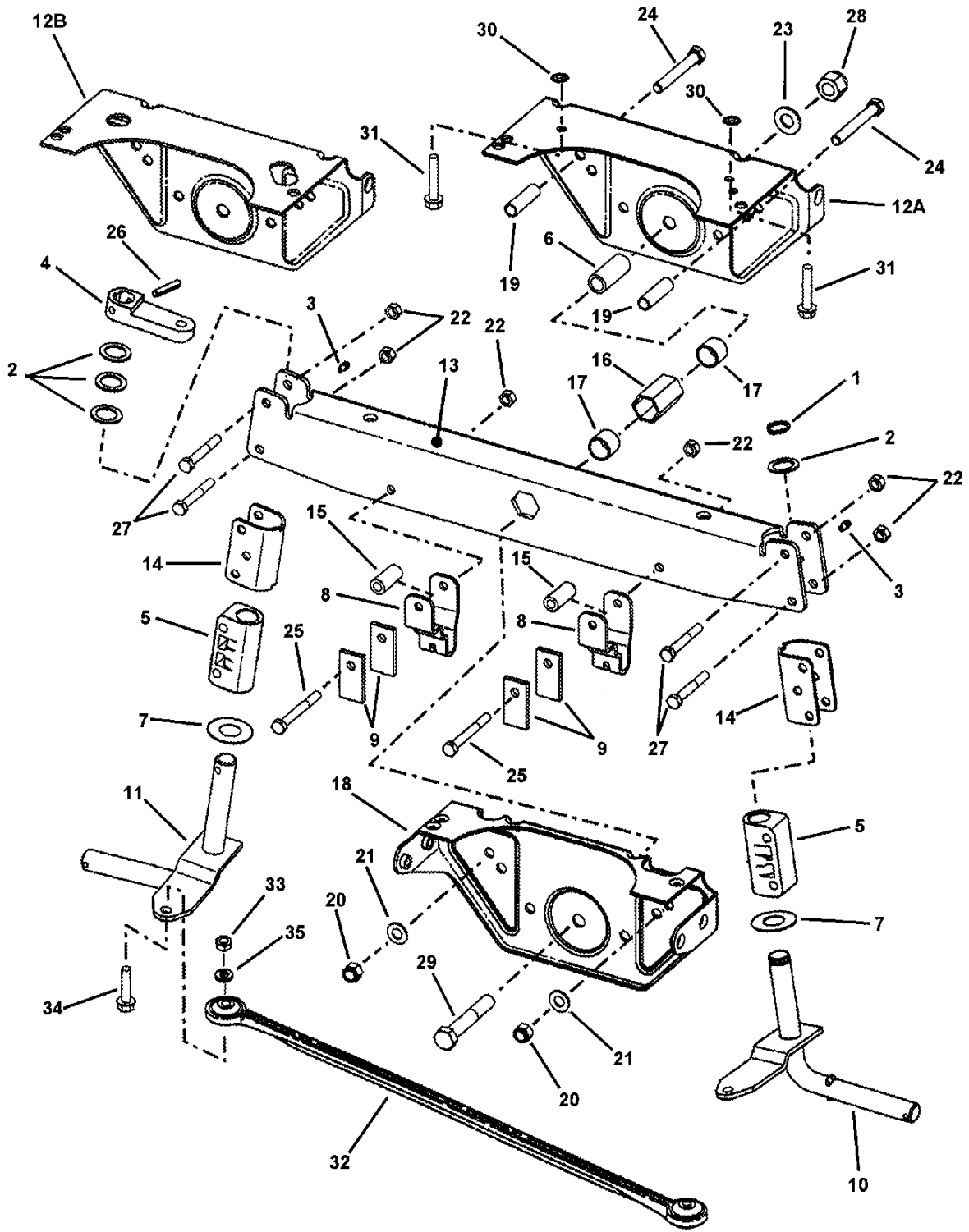


FRONT AXLE

Item	Part No	Qty	Description	Note
1	7010746	1	RING, 3/4" External Retaining	
2	7010935	3	WASHER, 3/4" x 1-1/8" Flat	
3	7014669	3	LUBE FITTING 57352	
4	7019034	1	ARM, Steering	
5	7019467	1	BEARING, Spindle	
6	7028689	1	SPACER, .5 x .75 x 1.78	
7	7031036	2	THRUST WASHER	
8	7033383	2	BRACKET, Deck Hanger-Front Axle.	
9	7035372	2	SPACER, Steering Stop, Cast Axle	
10	7041245	1	WELDMENT, Right Hand Spindle Wheel	<i>used on 33" Deck Models</i>
--	7041251	1	WELDMENT, Right Hand Spindle Wheel	<i>used on 38" Deck Models</i>
11	7041246	1	WELDMENT, Left Hand Spindle Wheel	<i>used on 33" Deck Models</i>
--	7041250	1	WELDMENT, Left Hand Spindle Wheel	<i>used on 38" Deck Models</i>
12A	7074423	1	BRACKET, Cast Axle Front	<i>used on Series "H" Models</i>
12B	7075080	1	BRACKET, Cast Axle, Front	<i>used on Series "I" Models</i>
13	7073851	1	AXLE, Steel- Tractor	
14	7073852	2	SPACER, Spindle Bearing- Steel Axle	
15	7073853	2	SPACER, Axle- Steel	
16	7073855	1	SPACER, Hex	
17	7074182	2	BEARING, 3/4" I.D. DX	
18	7074424	1	BRACKET, Cast Axle, Rear	
19	7074600	2	SPACER, .39 x .5 x 1.72	
20	7091299	2	NUT, 3/8-16 Hex Nyloc	<i>Was 76979</i>
21	7090122	2	WASHER, 3/8" Flat SAE	
22	7091575	5	NUT, 5/16-18 Hex Center Lock	<i>Was 90184</i>
23	7090250	3	WASHER, 1/2" Flat	
24	7091557	2	SCREW, 3/8-16 x 2-3/4" Hex Head Cap, GR2	<i>Was 90795</i>
25	7090831	2	SCREW, 5/16-18 x 2-3/4" Hex Head Cap, GR5	
26	7090842	1	ROLL PIN, 1/4 x 1-1/4"	
27	7027174	4	SCREW, 5/16-18 x 2" Hex Head Cap, GR5	<i>Was 90930</i>
28	7091121	1	NUT, 1/2-13 Hex Nyloc	
29	7091821	1	SCREW, 1/2-13 x 3" Hex Head Cap, GR5	<i>Was 91694</i>
30	7011791	2	RETAINER, 5/16" Bolt	
31	7091264	2	BOLT, 5/16-18 x 1-3/4" Hex Flange Lock, GR5	
32	7028326	1	TIE ROD, Reduced Radius	
33	7091302	2	NUT, 3/8-16 Hex , GR5 or B	
34	7091497	2	SCREW, 3/8-16 x 1-1/2" Hex Head Cap, GR5	

Footnotes:

FRONT AXLE

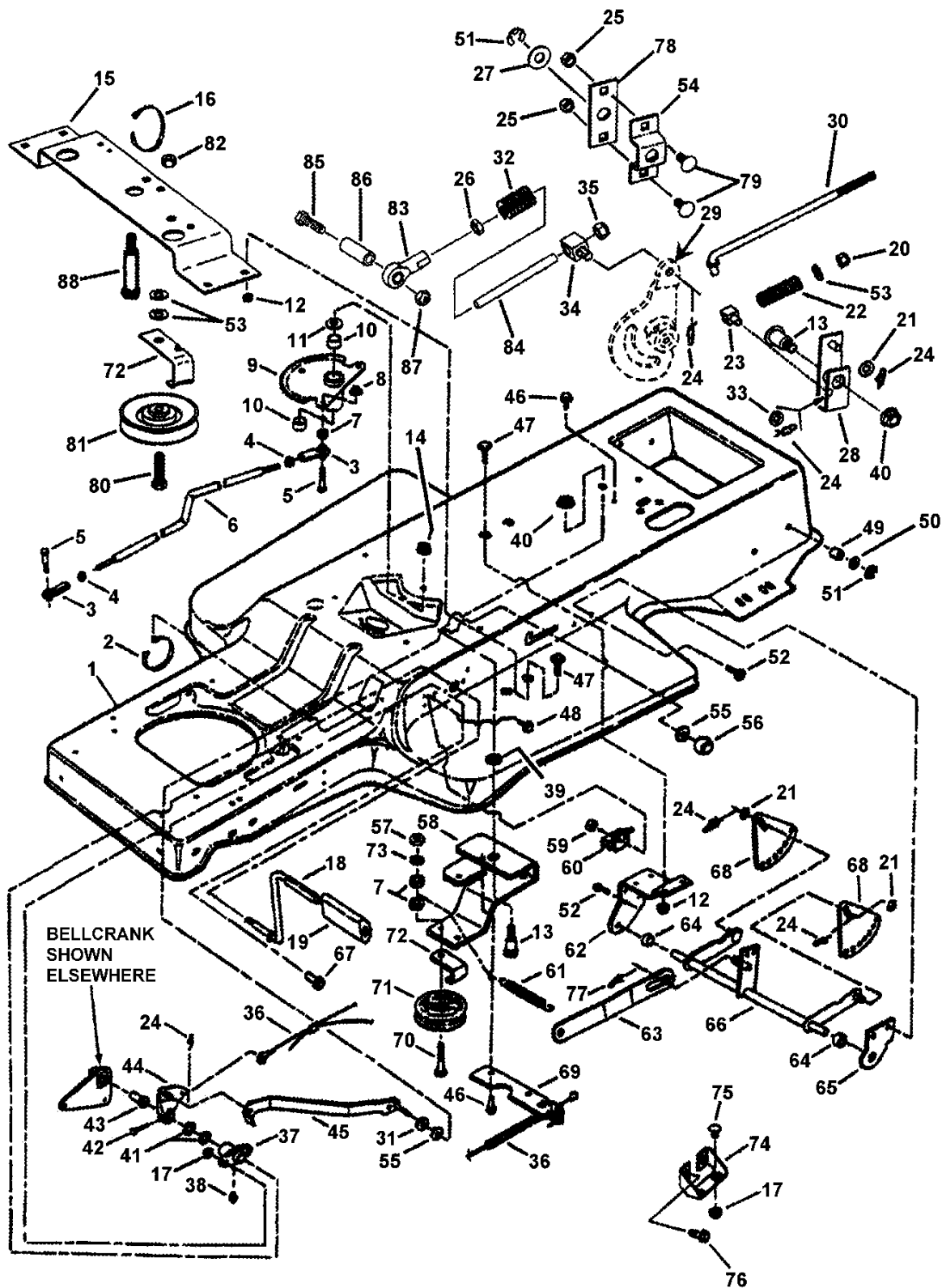


FRONT AXLE

Item	Part No	Qty	Description	Note
35	7091320	2	WASHER,3/8" Split Lock	

Footnotes:

FRAME, CLUTCH, BRAKE & STEERING COMPONENTS

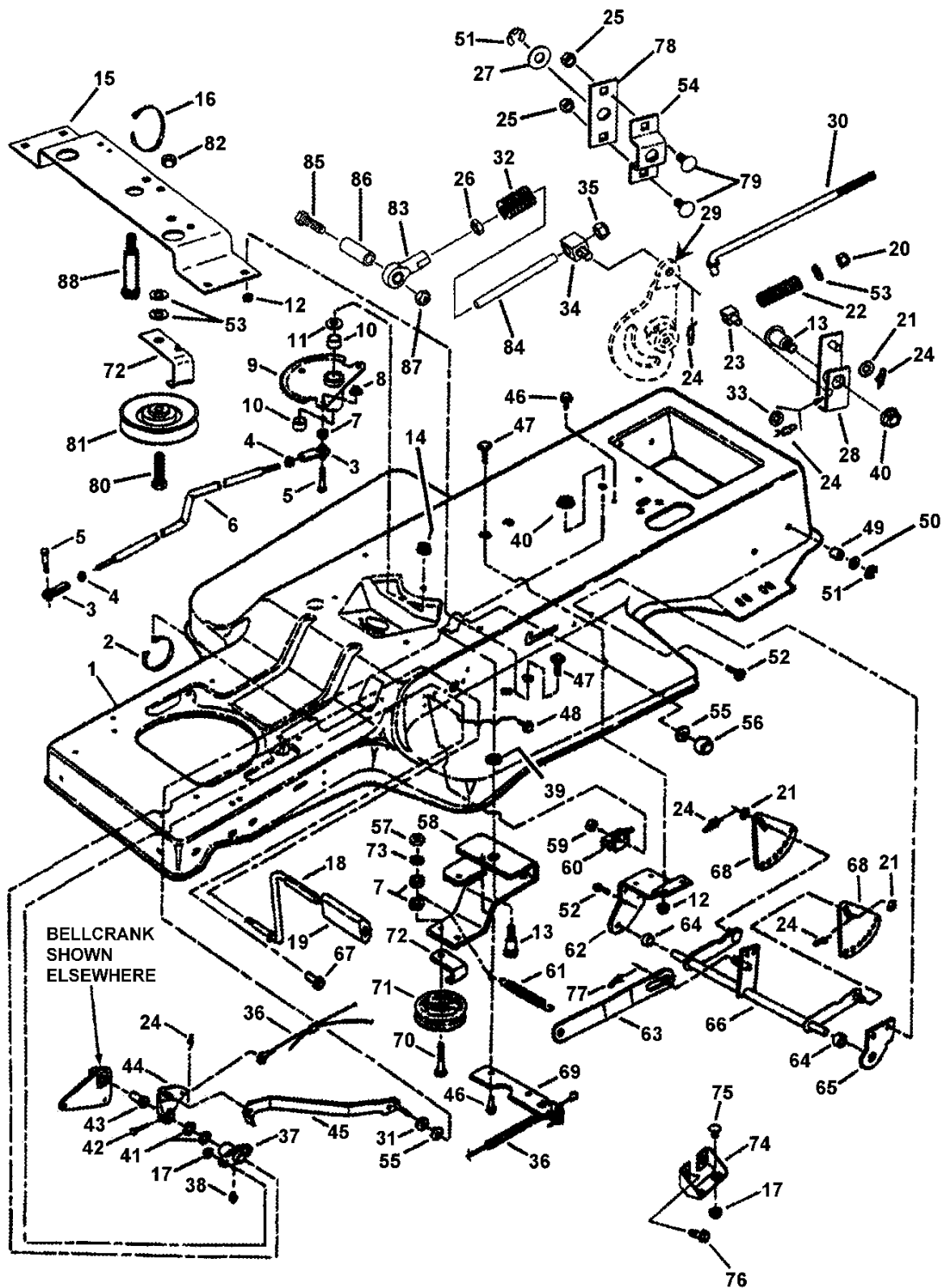


FRAME, CLUTCH, BRAKE & STEERING COMPONENTS

Item	Part No	Qty	Description	Note
1	7073345	1	FRAME, Tractor (1 piece)	<i>used on Series "H" Models</i>
--	7075079	1	FRAME, Tractor (1 piece)	<i>used on Series "I" Models</i>
2	7014451	1	CABLE TIE, 3.19	
3	7027936	2	ROD END, Pump Control Linkage, 3/8-24 thread	
4	7090482	2	NUT, 3/8-24 Hex Jam	
5	7090163	2	SCREW, 3/8-24 x 1-1/4" Square Neck Carriage	
6	7028420	1	DRAGLINK	
7	7024180	2	SPACER, Tie Rod	
8	7091619	1	NUT, 3/8-16 Hex Flange Lock	<i>Was 90613</i>
9	7053568	1	ASSEMBLY, Steering Sector (Includes 41267, Weldment & item 10)	
10	7012706	2	BEARING, Sleeve, .875 O.D. x .75	
11	7031036	1	THRUST WASHER	
12	7091584	6	NUT, 1/4-20 Hex Flange Lock	<i>Was 90583</i>
13	7022381	2	SHOULDER BOLT, 1/2-13 thread	
14	7090975	1	NUT, 1/2-13 Hex Center Lock, GR A	
15	7072636	1	BRACE, Sector Gear	
16	7012080	1	CABLE TIE, 7"	
17	7091601	4	NUT, 5/16-18 Hex Flange Lock, GR5	<i>Was 90585</i>
18	7022743	1	PEDAL, Clutch/Brake	
19	7012661	1	PEDAL PAD	
20	7091299	1	NUT, 3/8-16-3B Hex Nyloc	
21	7090122	2	WASHER, 3/8" Flat SAE	
22	7024381	1	SPRING, Brake	
23	7028037	1	SWIVEL, Inline Brake Arm	
24	7091593	5	COTTER PIN, 3/8 x 1-7/32" Self Lock	
25	7091575	4	NUT, 5/16-18 Hex Center Lock, GR5 or B	
26	7092031	1	NUT, 5/16-24 Hex Jam	
27	7090517	1	WASHER, .44" I.D. Flat	<i>Was 91300</i>
28	7058339	1	WELDMENT, Brake Bellcrank	
29	-	1	ARM, Speed Control (Component of Transaxle, see Transmission Page)	
30	7072369	1	ROD, Brake- K46	
31	7090188	1	WASHER, 5/16 x .11/16 x .08 Flat	
32	7046782	1	SPRING, Rectangular Wire Die, Blue	
33	7032070	2	WASHER, 13/32 x 3/4" Flat	
34	7073607	1	SWIVEL, Shift Linkage- PM	
35	7092058	1	NUT, 5/16-24 Hex Nyloc	
36	7072626	1	CABLE, Clutch/Brake- K46	

Footnotes:

FRAME, CLUTCH, BRAKE & STEERING COMPONENTS

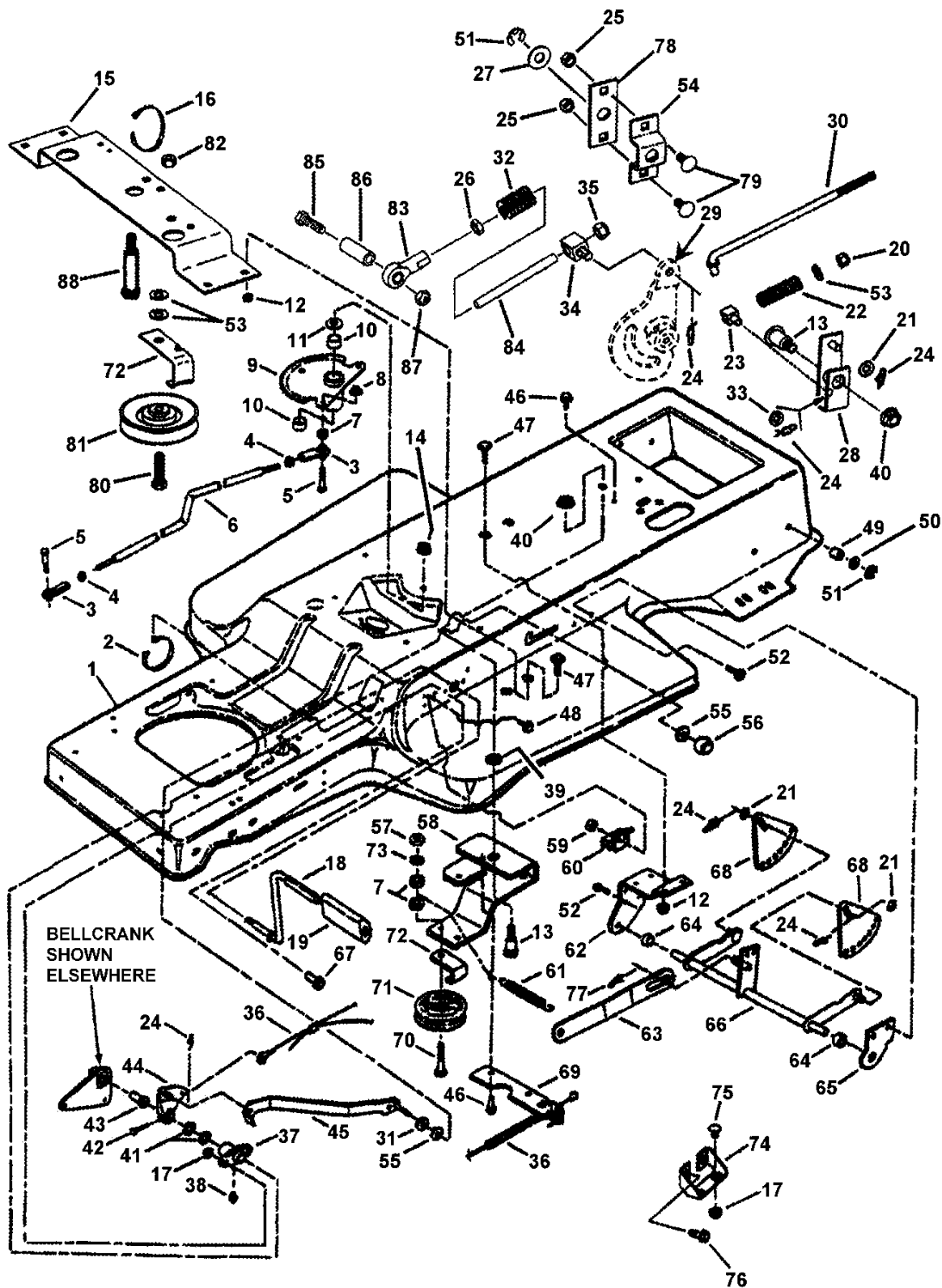


FRAME, CLUTCH, BRAKE & STEERING COMPONENTS

Item	Part No	Qty	Description	Note
37	7052431	1	ASSEMBLY, Pivot-Foot Shaft (Includes item 38)	
38	7013864	1	LUBE FITTING, Straight (press-fit for .187 dia. Hole)	
39	7090509	1	WASHER, 1/2" Internal Tooth Lock	
40	7090619	1	NUT, 1/2-13 Hex Flange Lock	
41	7027344	2	WASHER, .64 x .99 x .05 Flat	Was 15992
42	7023645	1	PIN, 3/16 x 1-1/2" Clevis	
43	7022742	1	BEARING, Flange	
44	7041236	1	ASSEMBLY, Clutch/Brake Arm	
45	7041244	1	WELDMENT, Parking Brake, OPPLT	
46	7090361	3	SCREW, 5/16-18 x 5/8" Hex Washer Self-Tap	
47	7090803	6	BOLT, 1/4-20 x 5/8" Flat Head Square Neck, GR2	
48	7091240	2	SCREW, #10-32 x 5/8" Hex Washer Head Machine, GR5	
49	7011016	2	BUSHING, 1/2" Nylon	
50	7091587	2	WASHER, .531 x 1.062 x .121 Flat SAE	
51	7014341	3	RING, 1/2" External Retaining	
52	7091001	5	SCREW, 5/16-18 x 5/8" Truss Head (Torx)	
53	7090122	3	WASHER, 3/8" Flat	Was 91514
54	7072298	1	BRACKET, Pivot Mounting	
55	7023649	2	WASHER, 5/16 Nylon	
56	7072403	1	KNOB, Brake/Clutch- 5/16-18 thread	
57	7091302	1	NUT, 3/8-16 Hex , GR5 or B	
58	7033557	1	ARM, Idler-Traction Drive	
59	7090376	2	NUT, #10-32 Hex Nyloc	
60	7023355	1	SWITCH- DPDT NC/NO	
61	7024383	1	SPRING, Traction Drive	
62	7034410	1	BRACKET, Rear Lift/PTO Lever, Extruded	
63	7034347	1	LINK, Lift (33" Deck)	
--	7034850	1	LINK, Lift (38" Deck)	
64	7034384	2	SPACER, .515 x .688 x .403	
65	7033520	1	BRACKET, Deck Hang Pivot	
66	7041249	1	WELDMENT, Rear Lift Arm, 33" Deck	
--	7042597	1	WELDMENT, Rear Lift, 38" Deck	
67	7091000	2	SCREW, 5/16-18 x 7/8" Truss Head (Torx)	
68	7034377	2	SECTOR, Lift Plate	
69	7034326	1	EXTENSION, Idler Arm	
70	7091501	1	SCREW, 3/8-16 x 2-1/2" Hex Head Cap, GR5	
71	7023954	1	PULLEY, 3.47 O.D. Flat Idler	
72	7033556	2	BELT GUIDE, 3-1/2" Dia.	

Footnotes:

FRAME, CLUTCH, BRAKE & STEERING COMPONENTS

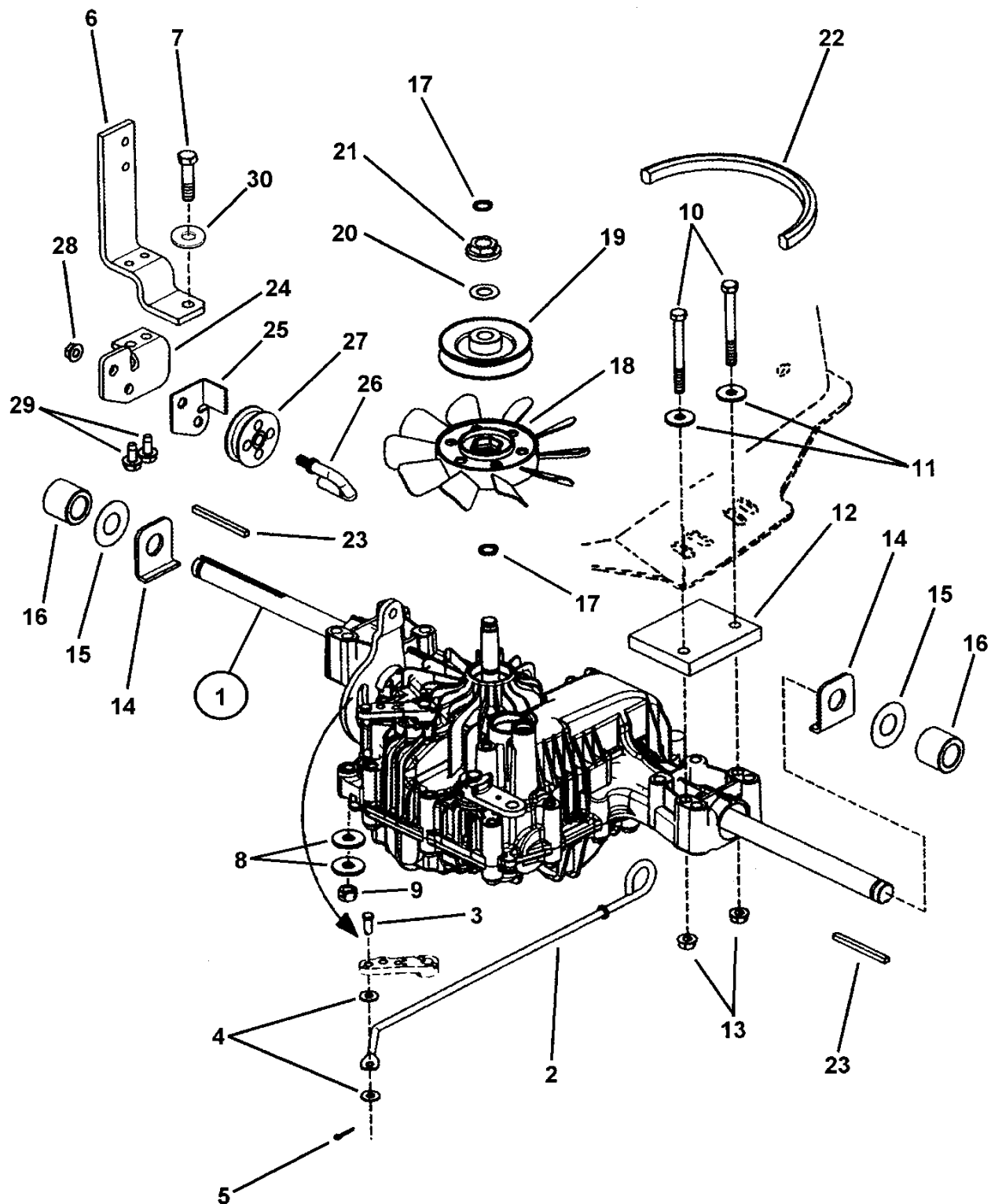


FRAME, CLUTCH, BRAKE & STEERING COMPONENTS

Item	Part No	Qty	Description	Note
73	7091320	1	WASHER,3/8" Split Lock	
74	7047072	1	BRACKET, Frame Brace	
75	7090731	2	BOLT, 5/16-18 x 1/2" Short Neck Carriage, GR5	
76	7091541	2	SCREW, 5/16-18 x 3/4" Hex Washer Self-Tap	Was 90368
77	7091593	1	PIN, 3/8 Self Lock Cotter	Was 24159
78	7072598	1	BRACKET, Mounting Brace	
79	7090316	2	BOLT, 5/16-18 x 3/4" Square Neck Carriage GR5	Was 91097
80	7091497	1	SCREW, 3/8-16 x 1-1/2" Hex Head Cap, GR5	
81	7024344	1	PULLEY, Idler V, 3.30 HA	
82	7091585	1	NUT, 3/8-16 Hex Center Lock, GR5 or B	
83	7027139	1	ROD END, Pump Control Linkage, 5/16-24 thread	
84	7073608	1	ROD, Shift Linkage	
85	7091540	1	SCREW, 5/16-18 x 1-1/2" Hex Head Cap, GR5	Was 91066
86	7029973	1	SPACER, .38 I.D. x .56 O.D. x .75 thick	
87	7091575	1	NUT, 5/16-18 Hex Center Lock, GR5 or B	
88	7024604	1	SHOULDER BOLT, 1/2-13 thread x 3"	

Footnotes:

TRANSMISSION GROUP (Hydro Drive)

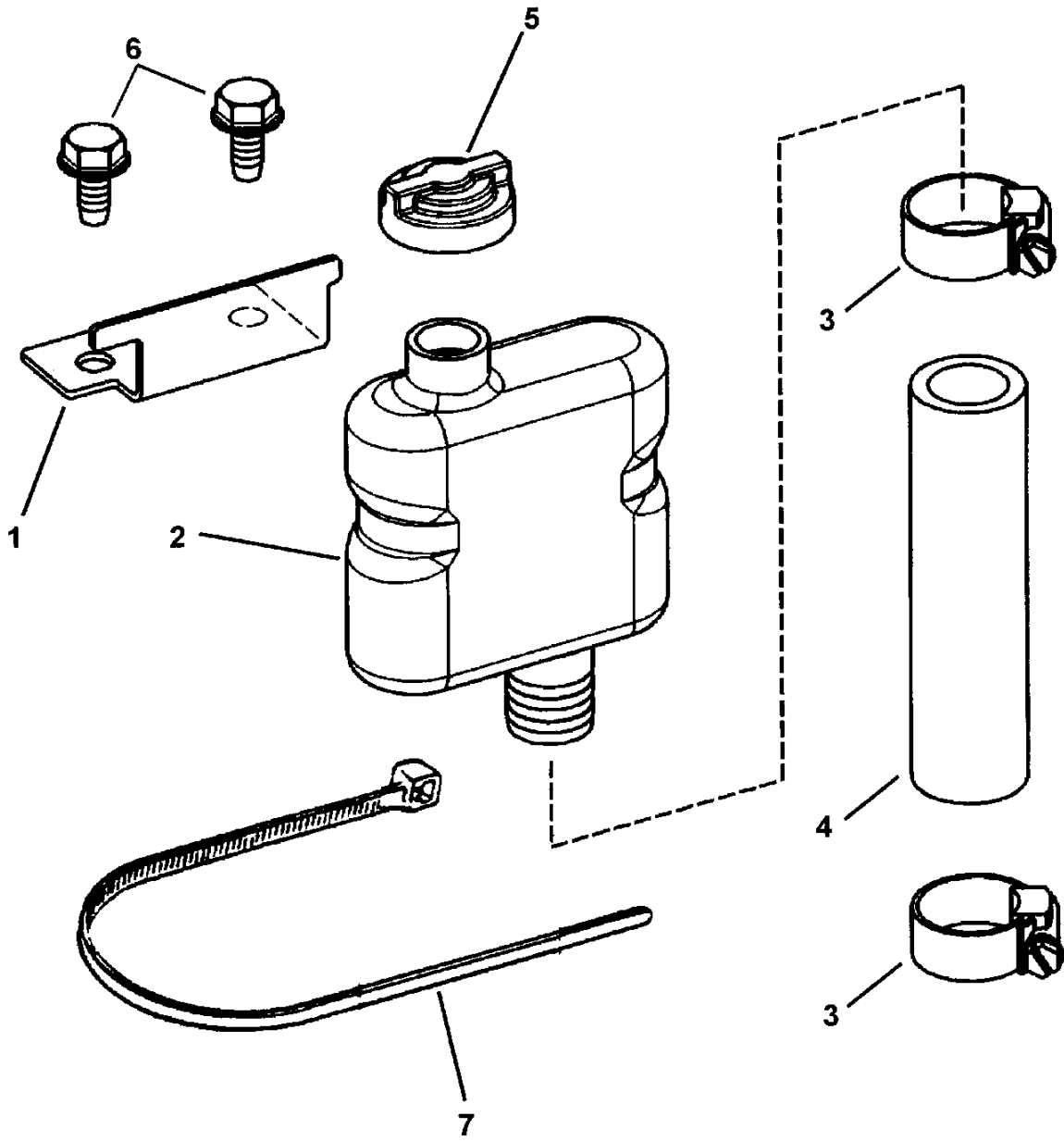


TRANSMISSION GROUP (Hydro Drive)

Item	Part No	Qty	Description	Note
1	7074398	1	ASSEMBLY, Transaxle-Tuff Torq, hand control K46 Hydro	
2	7072387	1	ROD, Roll Release- K46	
3	7091708	1	PIN, 1/4 x 5/8" Clevis	
4	7091294	2	WASHER, 1/4 x 5/8 x 1/16" Flat	Was 90055
5	7091597	1	PIN, 3/32 x 1/2" Cotter	Was 90555
6	7072601	1	BRACKET, Torque/Spool- TTK46	
7	7027174	1	SCREW, 5/16-18 x 2" Hex Head Cap, GR5	
8	7090188	2	WASHER, 5/16 x 11/16 x 1/16" Flat, GR5	Was 91296
9	7091298	1	NUT, 5/16-18-3B Hex Nyloc	
10	7091830	4	SCREW, 5/16-18 x 3" Hex Head Cap, GR5	
11	7091675	4	WASHER, .34 x 1.0 x .09 Flat	
12	7073613	4	SPACER, Hydro Axle- Steel- K46	
13	7091601	4	NUT, 5/16-18 Hex Flange Lock, GR5	
14	7072884	2	WASHER, Axle- TT K46 Hydro	
15	7031036	2	THRUST WASHER	
16	7072385	2	SPACER, Axle- K46	
17	7073757	2	SNAP RING, Special (Kanzaki # 192154-89090)	1
18	7073753	1	FAN (Vendor # 1A640-83050)	
19	7073800	1	PULLEY, 4" Diameter (Vendor # 1A6460-25333)	
19A	7073748	1	PULLEY, C (Kanzaki P/N 1A6460-25333)	used on ELT150H33IBV
20	7073754	1	WASHER, Wave (Vendor # 1A6460-83060)	
21	7073747	1	SPACER (Vendor # 1A6460-25300)	
22	7072657	1	BELT, Traction Drive (HA Section, 97.881" Effective Length)	used on Series "H" & ELT150H33IBV
--	7073834	1	BELT, Traction Drive (HA Section, 96.60" Effective Length)	used on LT150H33IBV, LT150H38IBV and WLT150H38IBV Models
23	7072386	2	KEY, 3/16" Square x 2-3/16" long	
24	7072607	1	BRACKET, Spool	
25	7034399	1	GUIDE, Cable	
26	7029600	1	ROD, Spool Pivot	
27	7023182	1	SPOOL	
28	7091601	1	NUT, 5/16-18 Hex Flange Lock, GR5	Was 90585
29	7090361	2	SCREW, 5/16-18 x 5/8" Hex Washer Self-Tap	
30	7090391	1	WASHER, 5/16" Internal Tooth Lock	

Footnotes:

HYDRO RESERVOIR ASSEMBLY

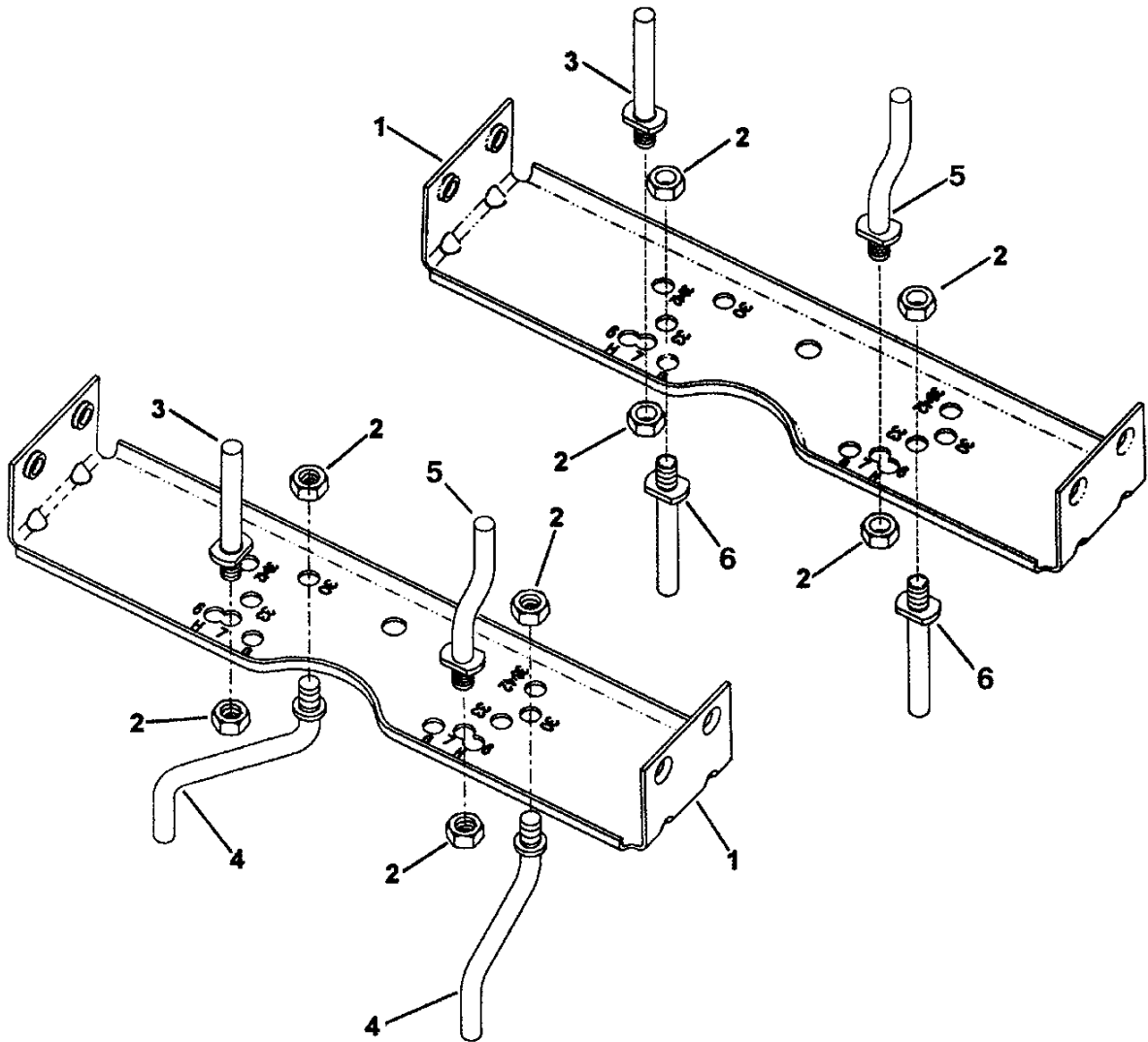


HYDRO RESERVOIR ASSEMBLY

Item	Part No	Qty	Description	Note
1	7072739	1	BRACKET, Reservoir Mounting	
2	7072736	1	RESERVOIR, Expansion- TTK46 Hydro	
3	7016130	2	CLAMP 13/16"	
4	7072901	1	HOSE, Hydraulic-(4-1/2" long) TTK46 Hydro	
5	7091431	1	VALVE, Vent	
6	7090858	2	SCREW, 5/16-18 x 1/2" Hex Washer Self-Tap	
7	7072914	1	CABLE TIE - 10 x 1/4 x .083 thick	

Footnotes:

BELT GUIDE ASSEMBLY

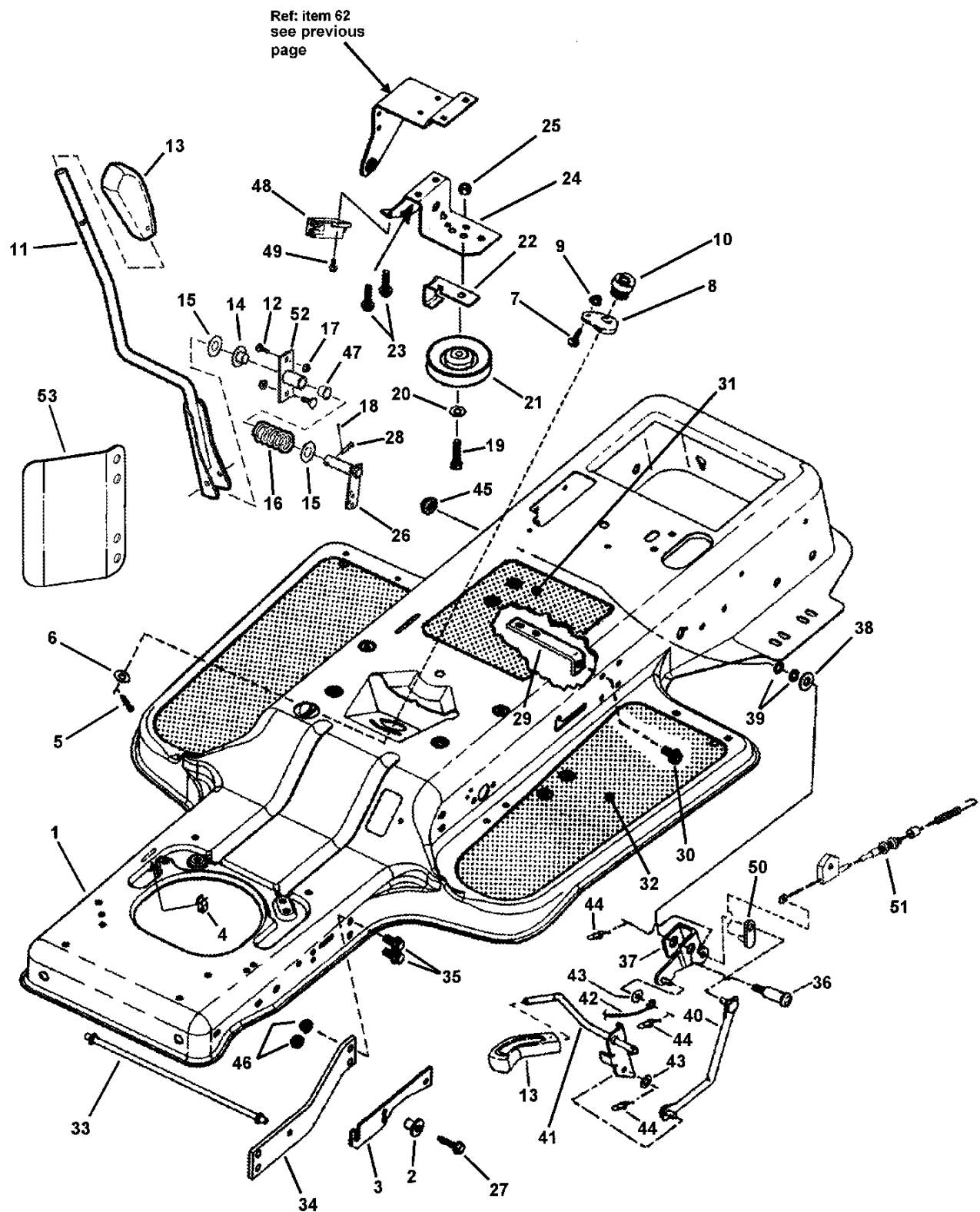


BELT GUIDE ASSEMBLY

Item	Part No	Qty	Description	Note
1	7035963	1	BRACKET, Belt Guide	
2	7091575	4	NUT, 5/16-18 Hex Center Lock, GR5 or B	
3	7028303	2 or 4	STUD, Belt Guide	
4	7035528	2	STUD, Belt Guide 38" Dual Brake Deck	
5	7072924	1	STUD, Belt Guide	
6	7028304	2	STUD, Belt Guide 33" Deck	

Footnotes:

BLADE ENGAGEMENT & TRANSMISSION CONTROLS

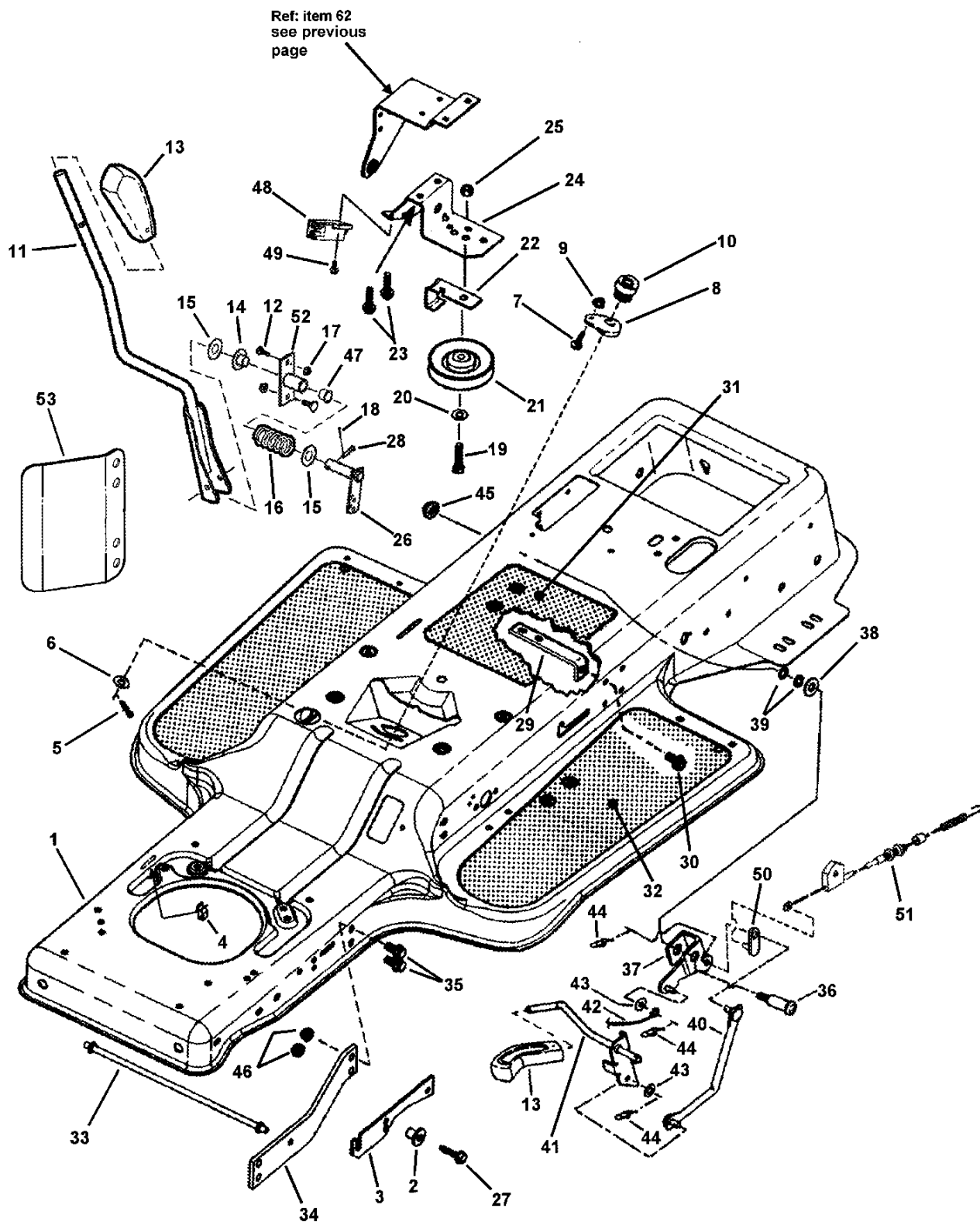


BLADE ENGAGEMENT & TRANSMISSION CONTROLS

Item	Part No	Qty	Description	Note
1	7073345	1	FRAME, Tractor (1 piece)	<i>used on Series "H" Models</i>
--	7075709	1	FRAME, Tractor (1 piece)	<i>used on Series "I" Models</i>
2	7024616	2	BUSHING, Flange	
3	7033488	1	BRACKET, Hood Pivot	
4	7028630	1	WIRE CLIP, .28 x .41	
5	7091598	1	PIN, 1/8 x 3/4" Cotter	
6	7014296	1	SHIM WASHER, .50 x .75 x .03	
7	7091573	1	BOLT, 1/4-20 x 5/8" Short Neck Carriage, GR 5	
8	7052562	1	ASSEMBLY, Steering Adjuster	
9	7091584	1	NUT, 1/4-20 Hex Flange Lock	
10	7022368	1	GEAR, Pinion, Steering	
11	7058874	1	WELDMENT, Shift Handle- TTK46	
12	7091508	2	BOLT, 5/16-18 x 3/4" Short Neck Carriage, GR 5	
13	7023656	2	LEVER Shift Handle	
14	7019245	1	BUSHING, 3/4 - 1.62 Flange	
15	7031036	1	THRUST WASHER	
16	7010754	1	SPRING, Shift Detent	
17	7091601	2	NUT, 5/16-18 Hex Flange Lock, GR 5	
18	7091597	1	PIN, 3/32 x 3/4" Cotter	<i>Was 90037</i>
19	7091497	1	SCREW, 3/8-16 x 1-1/2" Hex Head Cap, GR 5	
20	7090122	1	WASHER, 3/8" Flat	<i>Was 91514</i>
21	7024344	1	PULLEY, Idler V, 3.30 HA	
22	7033556	1	BELT GUIDE, 3-1/2" Dia.	
23	7091524	3	SCREW, 5/16-18 x 1-1/4" Swage	
24	7035524	1	SUPPORT, PTO Lever	
25	7091585	2	NUT, 3/8-16 Hex Center Lock, GR 5 or B	
26	7040598	1	WELDMENT, Arm	
27	7091524	4	SCREW, 5/16-18 x 1-1/4" Hex Head Self-Tap	<i>Was 91151</i>
28	7023914	1	PIN, 1/4 x 1-5/8" Clevis	
29	7033825	1	ANCHOR, Blade Brake	
30	7091198	1	SCREW, 3/8-16 x 5/8" Hex Washer Self-Tap	
31	7072756	1	DECAL, Instruction Frame Top	<i>see decal page</i>
--	7072754	1	DECAL, Instruction Frame Top (Euro)	<i>see decal page</i>
32	7073611	2	FOOT PAD, Textured (Black)	<i>was 28203</i>
33	7046900	1	BELT GUIDE	
34	7046899	2	BRACE, Frame	
35	7091588	8	BOLT, 3/8-16 x 3/4" Hex Flange Lock	<i>Was 90612</i>

Footnotes:

BLADE ENGAGEMENT & TRANSMISSION CONTROLS

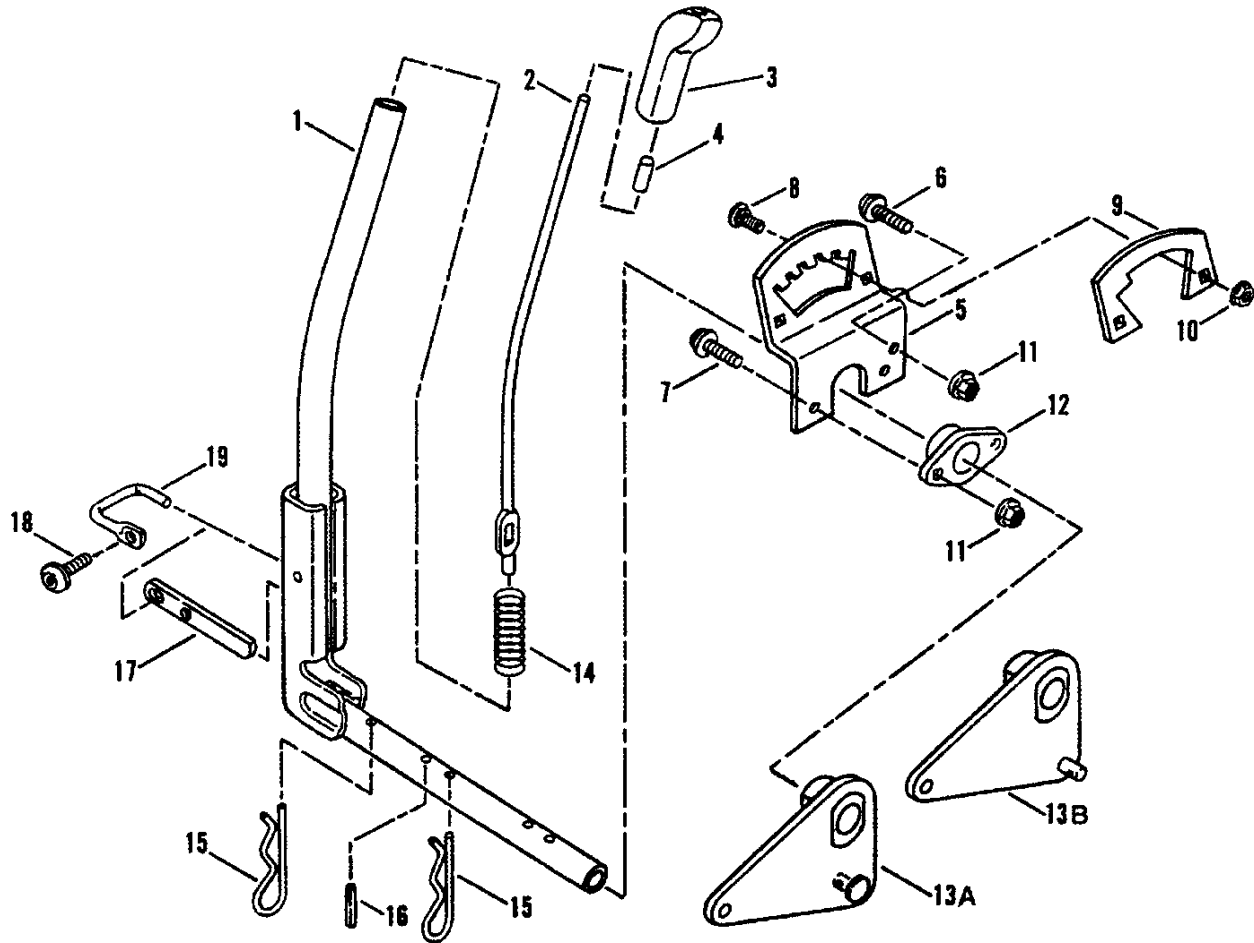


BLADE ENGAGEMENT & TRANSMISSION CONTROLS

Item	Part No	Qty	Description	Note
36	7024518	1	BOLT, 1/2-13 Shoulder	
37	7041238	1	WELDMENT, Bellcrank PTO	
38	7031036	1	THRUST WASHER	
39	7090509	2	WASHER, 1/2" Internal Tooth Lock	
40	7041237	1	WELDMENT, PTO Link	
41	7042598	1	WELDMENT, PTO Lever	
42	7029152	1	CABLE, 33 Blade	<i>used on 33" Deck, Series "H" and earlier</i>
--	7075325	1	CABLE, 33 Blade	<i>used on 33" Deck, Series "I" Models</i>
--	7046896	1	CABLE, PTO	<i>used on 38" Deck Models</i>
43	7090500	3	WASHER, 7/16" Flat SAE	
44	7091593	3	PIN, 3/8 Self Lock Cotter	<i>Was 24159</i>
45	7090619	1	NUT, 1/2-13 Hex Flange Lock	
46	7091619	8	NUT, 3/8-16 Hex Flange Lock	<i>Was 90613</i>
47	7019246	1	BUSHING, 3/4 - 1" Flange (nylon)	
48	7023355	1	SWITCH- DPDT NC/NO	
49	7091240	2	SCREW, #10-32 x 5/8" Hex Washer Head Machine, GR 5	
50	7058749	1	WELDMENT, Bracket	
51	7075366	1	ASSEMBLY, Cable (part no. stamped on cable)	<i>replaces 73222</i>
52	7058876	1	WELDMENT, Pivot Plate	
53	7073835	2	HEAT SHIELD (Foot Rest)	

Footnotes:

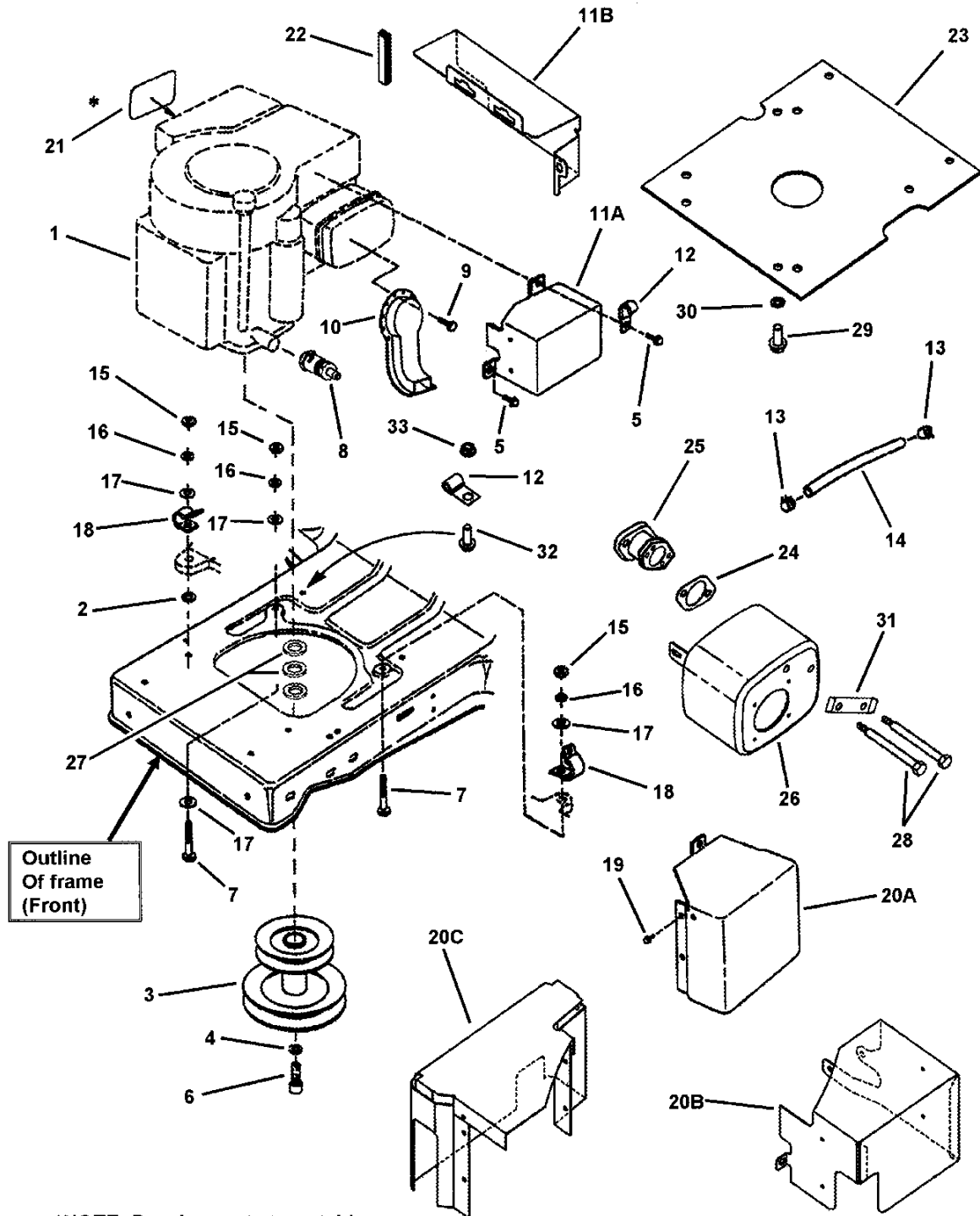
IMPLEMENT LIFT PARTS



IMPLEMENT LIFT PARTS

Item	Part No	Qty	Description	Note
1	7041655	1	WELDMENT, Implement Lift Lever-33/42	<i>used on 33" Deck Models</i>
--	7041015	1	WELDMENT, Implement Lift Lever-30/38	<i>used on 38" Deck Models</i>
2	7022565	1	ROD, Lift Lever	
3	7019363	1	KNOB, Lift Handle	
4	7014361	1	CAP, Lift Lever Rod	
5	7033449	1	QUADRANT, Lift Lever	
6	7091001	1	SCREW, 5/16-18 x 5/8" Truss Head (Torx)	
7	7091000	2	SCREW, 5/16-18 x 7/8" Truss Head (Torx)	
8	7091604	2	BOLT, 1/4-20 x 1/2" Short Neck Carriage, GR5	<i>Was 90005</i>
9	7034559	1	DETENT, High Cut Lockout	<i>used on European Models Only</i>
10	7091584	2	NUT, 1/4-20 Hex Flange Lock	<i>Was 90583</i>
11	7091601	2	NUT, 5/16-18 Hex Flange Lock, GR5	<i>Was 90585</i>
12	7022567	1	PIVOT, Lift Lever	
13A	7041254	1	WELDMENT, Bellcrank, Lift Lever, 33	<i>used on 33" Deck Models</i>
13B	7041255	1	WELDMENT, Bellcrank, Lift Lever, 30/38/42	<i>used on 38" Deck Models</i>
14	7022566	1	SPRING, Latch Detent	
15	7091596	2	COTTER HAIR PIN, 2-5/8"	<i>Was 13844</i>
16	7022895	1	PIN, Dowel, 1/4 x 1-1/8"	
17	7022568	1	DETENT, Lift Lever	
18	7090999	1	SCREW, 1/4-20 x 5/8" Pan Head Self-Tap (Torx)	
19	7024742	1	PIVOT, Latch Detent	

Footnotes:



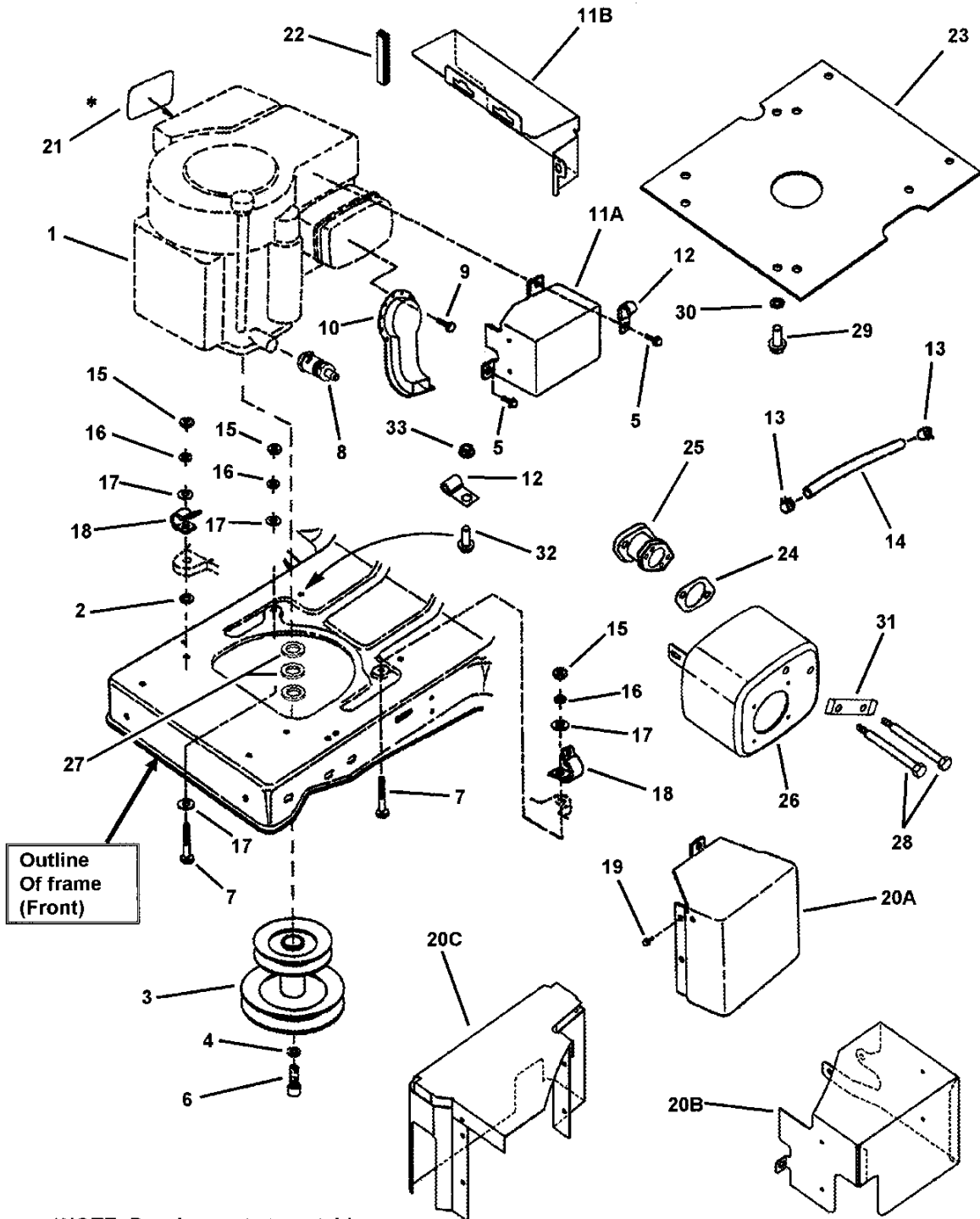
*NOTE: Decal mounts to outside of breather cover.

ENGINE COMPONENTS

Item	Part No	Qty	Description	Note
1	--	1	ENGINE, B&S, 14.5 HP	<i>Model 287707, Type 1250, Trim E1</i>
--	--	1	ENGINE, Kohler, 15 HP	<i>Model CV15S, Type PS-41603</i>
--	--	1	ENGINE, B&S, 15 HP	<i>Model 281H07, Type 0111, Trim E1</i>
--	--	1	ENGINE, B&S, 15 HP	<i>Model 281H07, Type 0112, Trim E1</i>
--	--	1	ENGINE, B&S, 18 HP	<i>Model 31H777, Type 0117, Trim E1</i>
--	--	1	ENGINE, B&S, 18 HP	<i>Model 31H777, Type 0120, Trim E1</i>
2	7090391	1	WASHER, 5/16" Internal Tooth Lock	
3	7072905	1	ASSEMBLY, Engine Pulley	<i>used on 33" Deck Euro Models</i>
--	7073803	1	ASSEMBLY, Engine Pulley	<i>used on 33" Deck Domestic Models</i>
--	7073804	1	ASSEMBLY, Engine Pulley	<i>used on 38" Deck Models</i>
4	7091301	1	WASHER, 7/16" Split Lock	
5	7091579	3	SCREW, 1/4-20 x 1/2" Hex Flange Lock	
6	7091531	1	SCREW, 7/16-20 x 1" Socket Head Cap	
7	7090669	2	SCREW, 5/16-18 x 1-3/4" Hex Head Cap, GR 5	
8	7027972	1	ASSEMBLY, Oil Valve	
9	7091581	3	SCREW, #8-18 x 1/2" Hex Head Sheet Metal	
10	7041537	1	WELDMENT, Muffler Deflector	
11A	7041269	1	HEAT SHIELD, Muffler (weldment)	<i>used on Series "H" Models</i>
11B	7075065	1	HEAT SHIELD, Muffler	<i>used on Series "I" Models</i>
12	7026482	1	CLIP, "J" Open Type .4 Bundle Dia., .281 Dia. Hole	
13	7029900	2	CLAMP, .490 x .31	
14	7029982	1	FUEL LINE, 14" long	<i>used on Series "H" Models</i>
--	7032956	1	FUEL LINE, 10" long	<i>used on some Series "I" Models</i>
--	7075472	1	FUEL LINE, 29" long	<i>used on some Series "I" Models</i>
15	7091511	4	NUT, 5/16-18 Hex, GR 5 or B	
16	7091315	4	WASHER, 5/16" Split Lock	
17	7090188	5	WASHER, 5/16" Flat	<i>Was 91296</i>
18	7015861	2	HARNESS CLIP, Cushioned	
19	7091075	4	SCREW, #10-24 x 5/8" Hex Washer Self-Tap, GR 5	
20A	7041677	1	HEAT SHIELD, Muffler	<i>used on European Models</i>
20B	7041340	1	HEAT SHIELD, Muffler	<i>used on Domestic Models</i>
20C	7041639	1	HEAT SHIELD, Muffler	<i>used on 33" Deck Euro Models</i>
21	7073231	1	DECAL, Warning-Speed Setting 14, 16, & 18 HP ENGINES	
22	7075171	1	TRIM-Heat Shield 3" long	
23	7075070	1	PLATE, Engine- Briggs Engine	
24	7015352	1	GASKET, Exhaust (1.25" I.D.; 1.875" hole centers)	
25	7071756	1	ADAPTER, Muffler	

Footnotes:

Purchase engine & engine parts other than those listed, from engine service outlets.



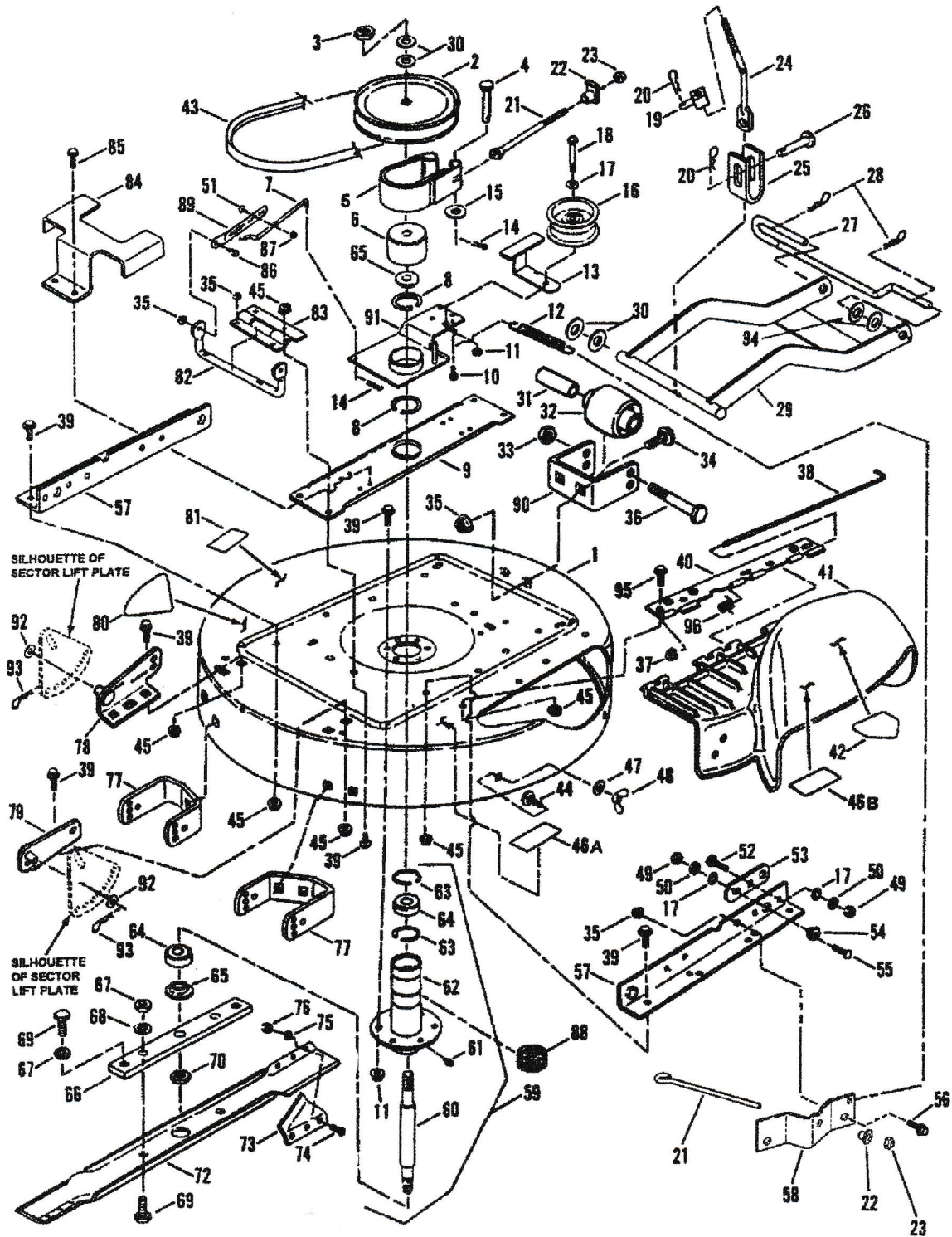
ENGINE COMPONENTS

Item	Part No	Qty	Description	Note
26	7074826	1	MUFFLER, 14.5HP Briggs Engine	
27	7091628	3	WASHER, .64 x .99 x .05 Flat	<i>used on Series "I" Models</i>
28	7024161	2	SHOULDER BOLT, 5/16-18 thread x 4"	
29	7090324	2	SCREW, 3/8-16 x 1" Hex Washer Self-Tap	
30	7091315	2	WASHER, 5/16" Split Lock	
31	7024566	1	SCREW LOCK	
32	7090606	1	BOLT, 5/16-18 x 5/8" Hex Flange Lock, GR 5	<i>Was 91510</i>
33	7091601	1	NUT, 5/16-18 Hex Flange Lock, GR 5	

Footnotes:

Purchase engine & engine parts other than those listed, from engine service outlets.

33" CUTTING DECK, BELTS, BRAKES

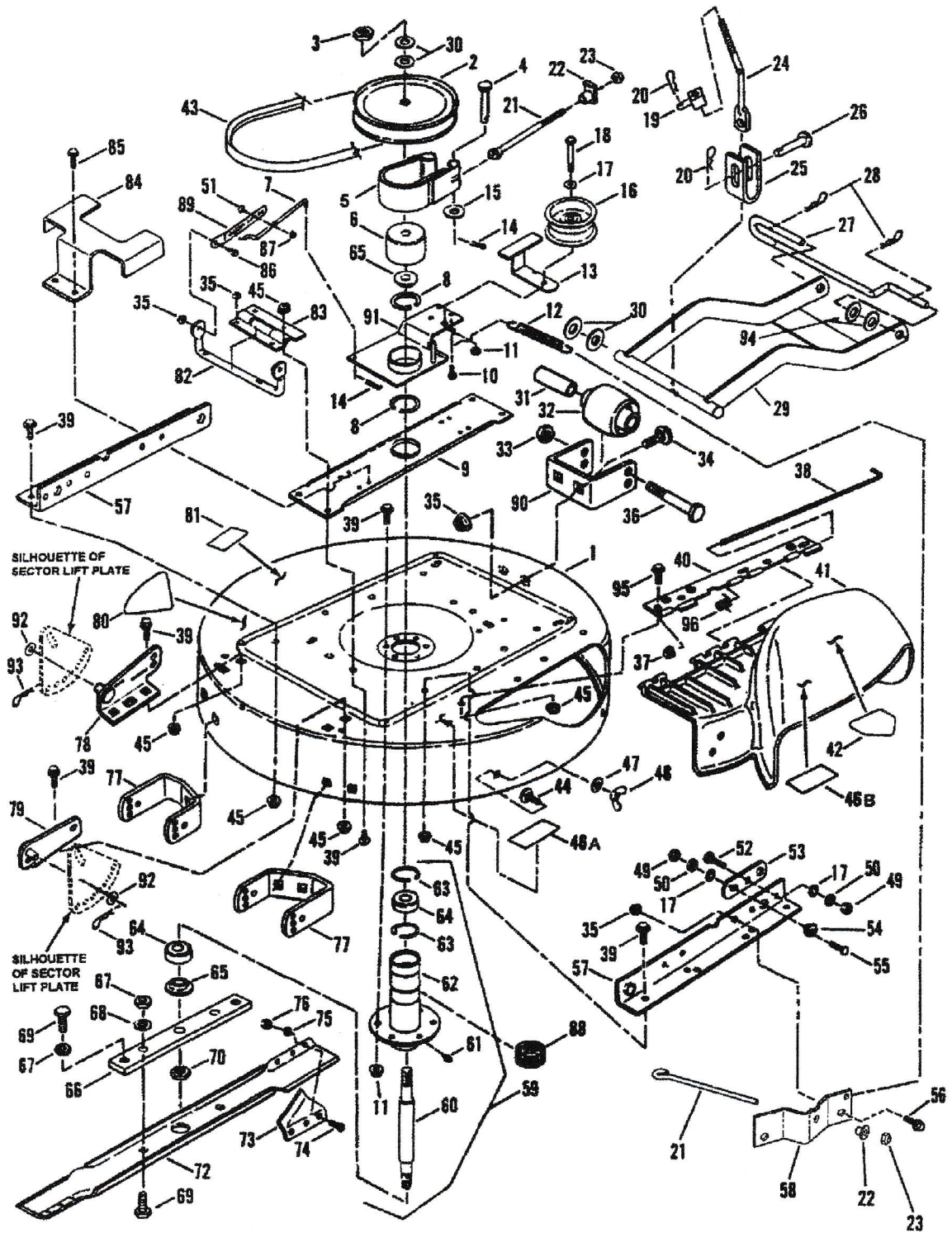


33" CUTTING DECK, BELTS, BRAKES

Item	Part No	Qty	Description	Note
1	7061956	1	ASSEMBLY, 33" Deck (Includes items 46A & 81)	Was 53690
--	7061956	1	ASSEMBLY, 33" Deck	Was 53693 (Includes 46B & 81)
2	7026558	1	PULLEY, Spindle, 7" O.D.	
3	7074467	1	NUT, 3/4-16 Hex Flange Jam, GR8	
4	7014304	1	PIN, 1/4 x 1-1/4" Clevis	
5	7052886	1	ASSEMBLY, Brake Band	
6	7032169	1	DRUM, Brake	
7	7024192	1	ROD, Link, Clutch/Brake	
8	7010740	2	RING, 2" External Retaining	
9	7038018	1	BRACE, Spindle	
10	7091541	1	SCREW, 5/16-18 x 3/4" Hex Washer Self-Tap	Was 90368
11	7091585	1	NUT, 3/8-16 Hex Center Lock, GR 5 or B	
12	7012264	1	SPRING, Clutch & Brake	
13	7075346	1	GUIDE, Belt (Series "H")	Was 41487
--	7075346	1	GUIDE, Belt (Series "I")	
14	7091597	2	PIN, 3/32 x 3/4" Cotter	Was 90037
15	7091294	1	WASHER, 1/4" I.D. x 5/8" O.D. Flat	
16	7075707	1	IDLER, Flat (4.00 O.D.)	was 27717
17	7090122	3	WASHER, 3/8" Flat SAE	
18	7091553	1	SCREW, 3/8-16 x 1-3/4" Hex Head Cap, GR 5	
19	7029694	1	SWIVEL, Brake	or 24607
20	7012431	2	PIN, 1/4 x 1-1/8" Hair	
21	7026677	1	BOLT, 1/4-20 Eye	
22	7014343	1	NUT, 1/4-20 Tee	
23	7091576	1	NUT, 1/4-20 Hex, GR 5	Was 90063
24	7026639	1	ROD, Front Lift	
25	7033938	1	BRACKET, Front Lift Hanger	
26	7013460	1	PIN, 3/8 x 1-1/2" Clevis	
27	7027471	1	PIN, Deck Hanger Improved	
28	7091596	2	HAIRPIN, .148 x 2.62	
29	7043232	1	WELDMENT, Front Lift Arm	was 41613
30	7032028	4	WASHER, 3/4" I.D. Flat	
31	7015272	3	SPACER	
32	7019190	3	WHEEL, Gage	
33	7090289	3	NUT, 3/8-24 Hex Center Lock, GR 5	was 91600
34	7090731	6	BOLT, 5/16-18 x 1/2" Short Neck Carriage, GR 5	Was 90004
35	7091601	9	NUT, 5/16-18 Hex Flange Lock, GR 5	Was 90585

Footnotes:

33" CUTTING DECK, BELTS, BRAKES

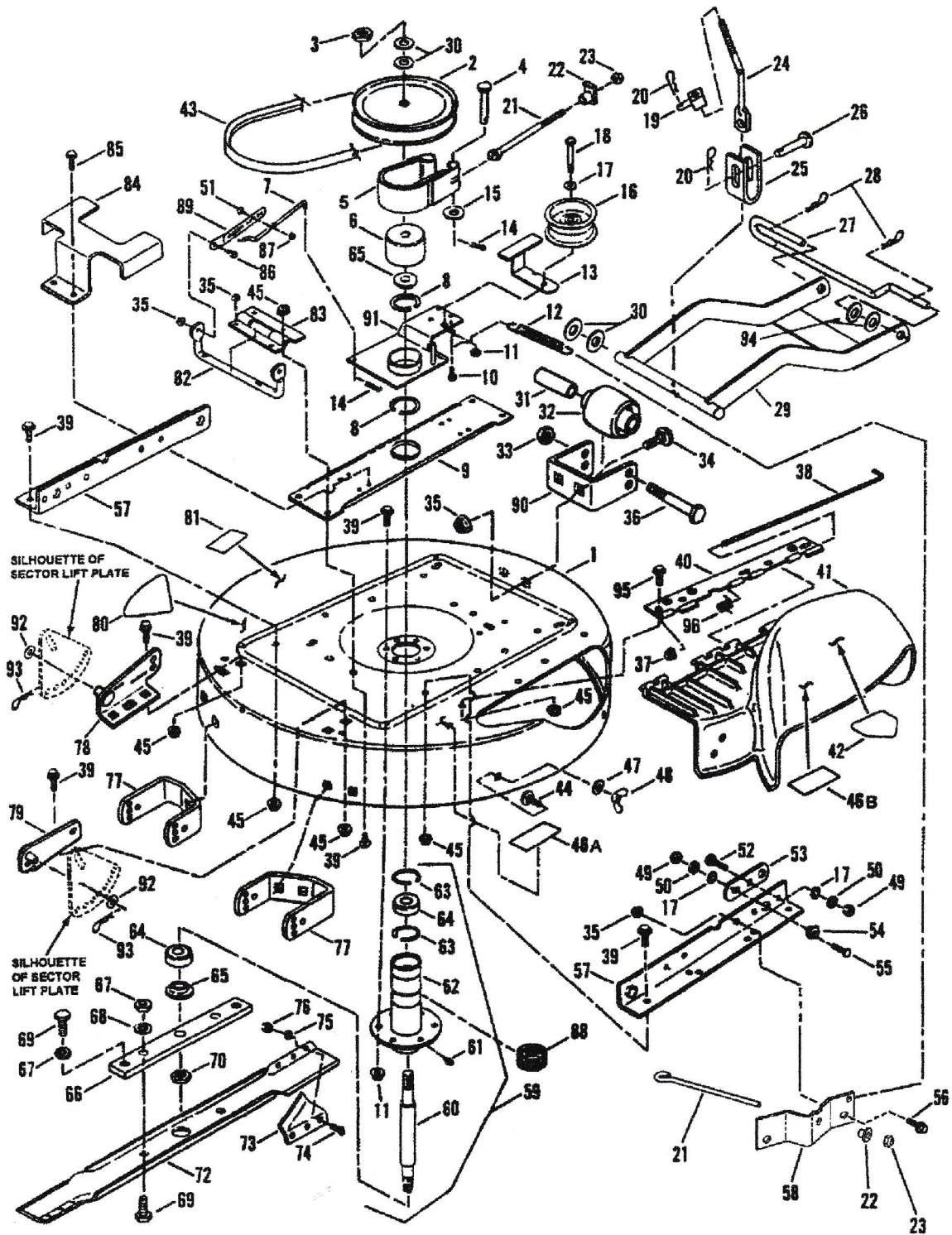


33" CUTTING DECK, BELTS, BRAKES

Item	Part No	Qty	Description	Note
36	7091532	3	SCREW, 3/8-24 x 3-3/4" Hex Head Cap, GR 5	
--	7052555	1	ASSEMBLY, Deflector (Includes items 37, 38, 40, 41, 42 & 96)	
--	7052555	1	ASSEMBLY, Deflector- Euro	Was 58765
37	7026483	1	PALNUT, 1/4" Hex	
38	7026234	1	PIN, Hinge	
39	7091588	15	BOLT, 3/8-16 x 3/4" Hex Flange Lock	Was 90612
40	7033780	1	HINGE, Deflector	
41	7026233	1	DEFLECTOR, Discharge	
42	7013010	1	DECAL, Danger, Cut Finger	replaces 26831
43	7075705	1	BELT, HA Section, 56.25" effective length	used on LT33
--	7075706	1	BELT, HA Section, 56.95" effective length	used on ELT33
44	7091508	1	BOLT, 5/16-18 x 3/4" Short Neck Carriage, GR 5	
45	7091619	18	NUT, 3/8-16 Hex Flange Lock	Was 90613
46A	7014852	1	DECAL, Caution, Deflector	see decal page
46B	7022841	1	DECAL, Caution, Deflector	see decal page
47	7090188	2	WASHER, 5/16" Flat	Was 91296
48	7091537	1	NUT, 5/16-18 Wing	Was 90492
--	7091511	1	NUT, 5/16-18 Hex, GR 5 or B	
49	7091302	2	NUT, 3/8-16 Hex	Was 90130
50	7090118	2	WASHER, 3/8" Split Lock	
51	7090584	1	BOLT, 1/4-20 x 1/2" Hex Flange Lock, GR 5	
52	7091547	1	BOLT, 3/8-16 x 3/4" Short Neck Carriage, GR 5	Was 90850
53	7032432	1	ADJUSTMENT & LINK	
54	7015012	1	ADJUSTMENT RING	
55	7091304	1	SCREW, 3/8-16 x 1" Hex Head Cap, GR 5	Was 90563
56	7090721	4	BOLT, 5/16-18 x 1/2" Flange Lock, GR 5	
57	7038453	2	RAIL, Side	
58	7033952	1	ANCHOR, Brake	
59	7052917	1	ASSEMBLY, Spindle (Includes items 60 thru 70)	
60	7024687	1	SPINDLE, 4" Shoulder	
61	7010817	1	LUBE FITTING, Straight (press-fit for .187 dia. Hole)	
62	7052294	1	WELDMENT, Spindle Housing (Includes item 61)	or 47962
63	7012491	2	RING, 1-3/4" Retaining	
64	7013313	2	BALL BEARING, 3/4" I.D.	
65	7014407	2	WASHER, Spindle	
66	7037751	1	HOLDER, Blade	
67	7091939	4	NUT, 1/2-20 Hex Jam	
68	7090509	2	WASHER, 1/2" Internal Tooth Lock	

Footnotes:

33" CUTTING DECK, BELTS, BRAKES

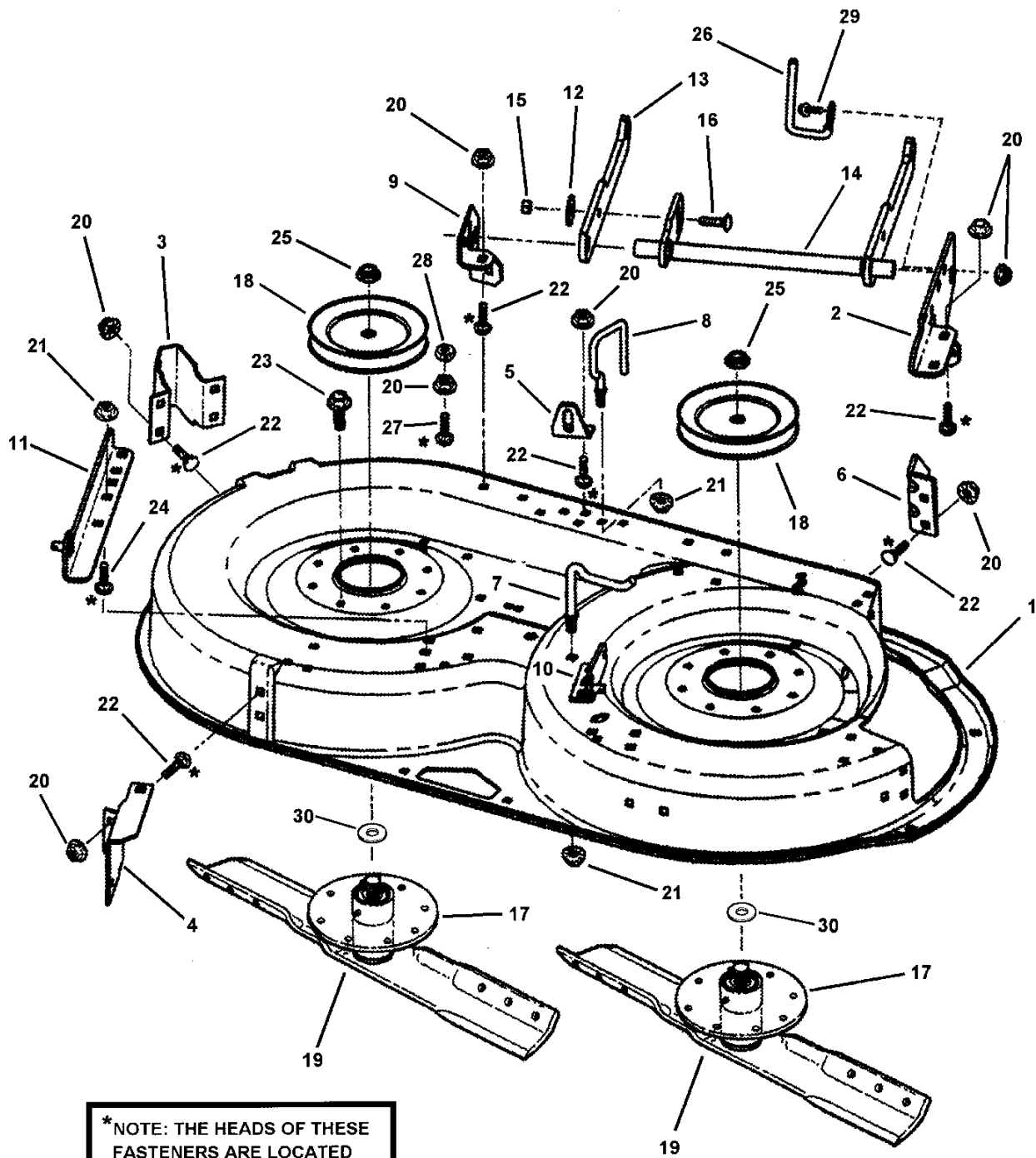


33" CUTTING DECK, BELTS, BRAKES

Item	Part No	Qty	Description	Note
69	7090491	4	SCREW, 1/2-20 x 1-1/4" Hex Head Cap, GR 5	
70	7090356	1	NUT, 5/8-18 Hex Center Lock Jam, GR 5 or B	
72	7019523	1	BLADE, 33" Cutting Deck (Euro)	
--	7034168	1	BLADE, 33" Cutting Deck	<i>not shown</i>
73	7037723	2	AIR-LIFT	<i>used with item 1A above</i>
--	7034468	2	AIR-LIFT	<i>used with item 1B above</i>
74	7090228	6	SCREW, 5/16-24 x 11/16" Machine	
75	7090391	6	WASHER, 5/16" Internal Tooth Lock	
76	7091297	6	NUT, 5/16-24 Hex, GR 5	<i>Was 90223</i>
77	7033571	2	BRACKET, Gage Wheel (Rear)	
78	7042608	1	BRACKET, Rear Deck Lift, Left Side	
79	7042578	1	WELDMENT, Bracket, Sector Lift - RR	<i>was 41252</i>
80	7022991	1	DECAL, 33" Hi-Vac	
81	7014852	1	DECAL, Caution (Rotating Blades)	
82	7024183	1	ARM, Pivot	
83	7033578	1	BRACKET, Pivot Arm	
84	7033926	1	GUIDE, Belt	
85	7090361	2	SCREW, 5/16-18 x 5/8" Hex Washer Self-Tap	
86	7015761	1	SHOULDER BOLT, 5/16-18	
87	7091584	1	NUT, 1/4-20 Hex Flange Lock	<i>or 90583</i>
88	7012670	1	RING, Tolerance	
89	7033586	1	BRACKET, Link, Clutch/Brake	
90	7033570	1	BRACKET, Gage Wheel (Front)	
91	7041311	1	WELDMENT, Brake Arm	
92	7090122	2	WASHER, 3/8" Flat SAE	
93	7091503	2	HAIR PIN, 3/32 x 1.5"	
94	7091587	2	WASHER, .531 x 1.062 x .121 Flat SAE	
95	7091588	3	BOLT, 3/8-16 x 3/4" Hex Flange Lock, GR 5	<i>Was 90612 or 91588</i>
96	7016341	1	SPRING, Hinge	
97	7029152	1	CABLE, 33" Blade Hydro (attaches to item 82)	<i>not shown</i>

Footnotes:

38" CUTTING DECK, BELTS, BRAKES PT.1

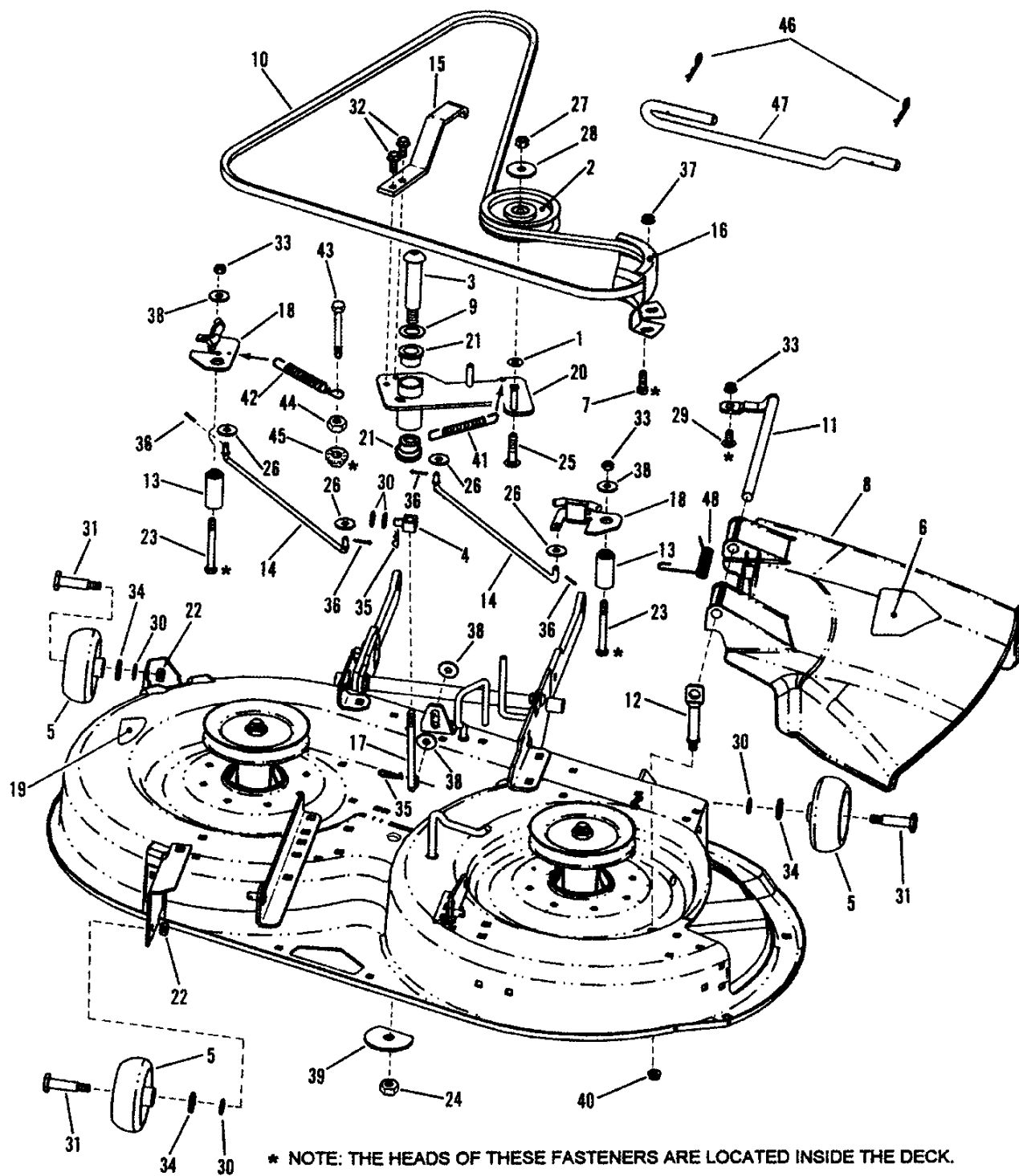


38" CUTTING DECK, BELTS, BRAKES PT.1

Item	Part No	Qty	Description	Note
1	7061960	1	DECK, 38" Cutting	
2	7028365	1	BRACKET, Front Linkage	
3	7033756	1	BRACKET, L.H. Front Gage Wheel	
4	7033891	1	BRACKET, L.H. Rear Wheel	
5	7034875	1	ANGLE, Front	
6	7035494	1	BRACKET, R.H. Front Gage Wheel	
7	7035505	1	CRADLE, Spring	
8	7035506	1	GUIDE, Belt Dual Spindle Brake	
9	7035577	1	BRACKET, Front Lift Arm- LS	
10	7042578	1	BRACKET, Sector Lift R.H. Rear	
11	7042606	1	BRACKET, Sector Lift L.H. Rear	
12	7012063	1	WASHER, Cone, 13/32 x 1-13/32" Diameter	
13	7035603	1	FRONT LIFT ARM, 38" Deck	
14	7042602	1	WELDMENT, Front Lift Arm	
15	7091575	1	NUT, 5/16-18 Hex Center Lock	Was 90184
16	7091169	2	BOLT, 5/16-18 x 1-1/8" Short Neck Carriage, GR5	
17	7063198	2	ASSEMBLY, 38" Spindle	Was 59377 or 58357
18	7027792	2	PULLEY, 5-1/2" Dia. A/B V (Spindle)	
19	7042998	1	BLADE, 38" Cutting Deck	per spindle assembly
20	7091601	19	NUT, 5/16-18 Hex Flange Lock, GR5	Was 90585
21	7091619	6	NUT, 3/8-16 Hex Flange Lock	Was 90613
22	7090799	14	BOLT, 5/16-18 x 5/8" Short Neck Carriage, GR5	
23	7090815	6	BOLT, 3/8-16 x 3/4" Hex Washer Self-Tap	
24	7091547	4	BOLT, 3/8-16 x 3/4" Short Neck Carriage, GR5	Was 90850
25	7091006	2	NUT, 5/8-18 Hex Nyloc	
26	7036563	1	GUIDE, Belt Side Rail	
27	7091169	1	BOLT, 5/16-18 x 1-1/8" Short Neck Carriage, GR5	
28	7091575	1	NUT, 5/16-18 Hex Center Lock, GR5 or B	
29	7091541	1	SCREW, 5/16-18 x 3/4" Hex Washer Self-Tap	Was 90368
30	7072440	2	SPACER, Pulley, 38" Deck	

Footnotes:

38" CUTTING DECK, BELTS, BRAKES PT.2

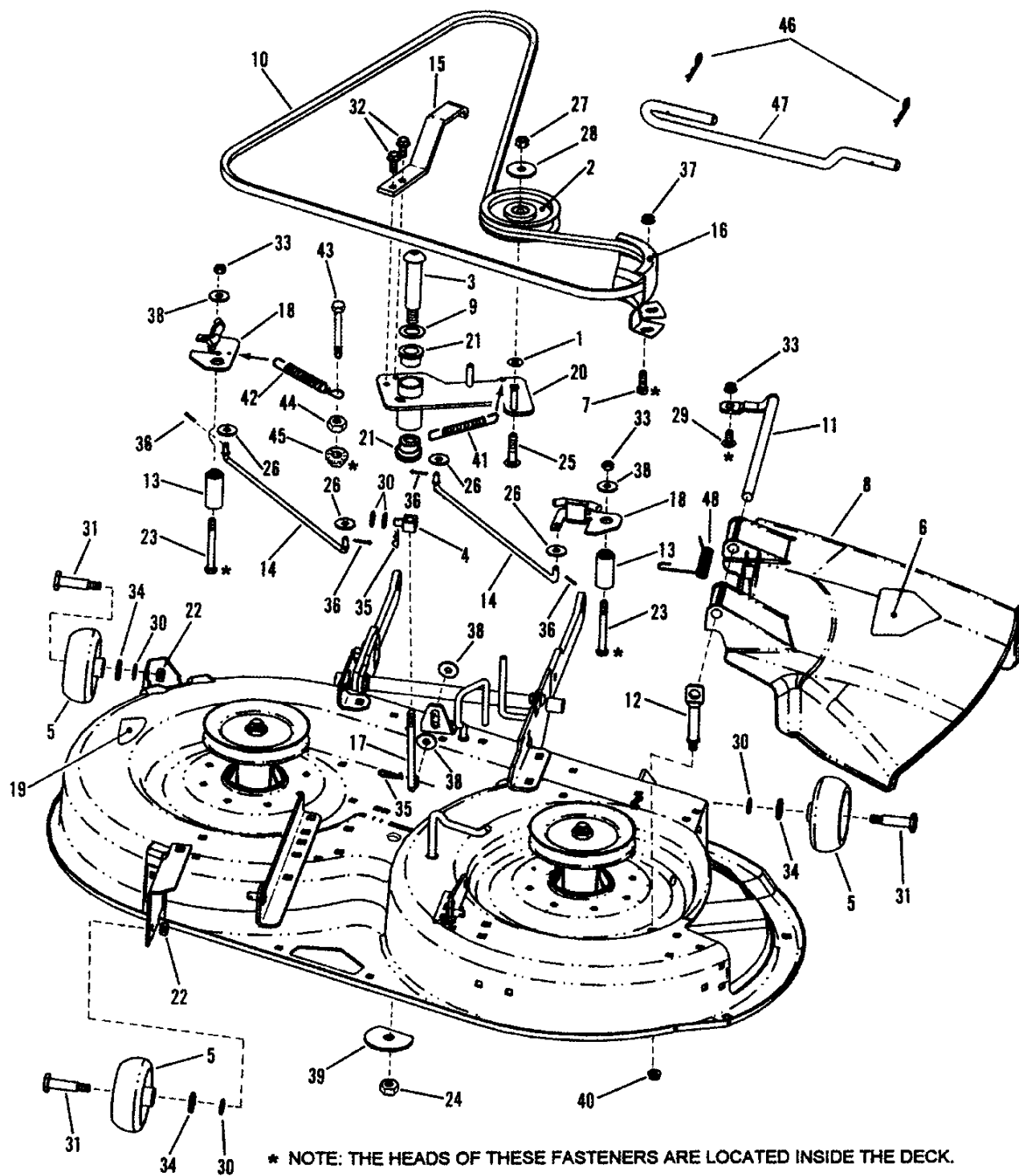


38" CUTTING DECK, BELTS, BRAKES PT.2

Item	Part No	Qty	Description	Note
1	7013847	1	RETAINER, 3/8" Bolt	
2	7018574	1	IDLER, 4-1/8" Flat	
3	7024604	1	SHOULDER BOLT, 1/2-13 thread x 3"	
4	7024607	1	SWIVEL, Brake Link	
5	7026122	3	WHEEL, Gage (38 Deck)	
6	7013010	1	DECAL, Danger, Cut Finger	Was 26831
7	7027168	3	SCREW, 5/16-18 x 1" Hex Head Cap, GR5	
8	7029425	1	CHUTE, Side Discharge	
9	7029617	1	WASHER, 3/4 x 1-5/16 x 1/16"	
10	7035500	1	BELT, HA Section, 85.4" effective length	used on 38" Deck Dual Spindle Brake
11	7035502	1	ROD, Pivot, Side Discharge	
12	7035503	1	ROD, Mounting, Side Discharge	
13	7035507	2	PIVOT, Dual Brake	
14	7035510	2	BRAKE LINK, Dual Spindle Brake	
15	7035518	1	LEVER, Engagement	
16	7035529	1	GUARD, Belt, 38" Dual Spindle Brake	
17	7036586	1	J-BOLT, 3/8-16 x 6-1/4"	
18	7042595	2	ARM, Brake	
19	7026154	1	DECAL, 38 Inch	
20	7042596	1	ARM, Idler, Dual Brake	
21	7035496	2	BEARING, 3/4" I.D. DX	
22	7090289	3	NUT, 3/8-24 Hex Center Lock, GR5	
23	7091830	2	SCREW, 5/16-1/8 x 3" Hex Head Cap, GR5	Was 90553
24	7090975	1	NUT, 1/2-13 Hex Center Lock, GR A	
25	7091810	1	BOLT, 3/8-16 x 1-3/4" Short Neck Carriage, GR5	Was 91158
26	7091294	4	WASHER, .28 x .63 x .06 GR5	
27	7091302	1	NUT, 3/8-16 Hex , GR5 or B	
28	7091331	1	WASHER, 13/32" I.D. Flat	
29	7091508	1	BOLT, 5/16-18 x 3/4" Short Neck Carriage, GR5	
30	7090122	3	WASHER, 3/8" SAE Flat	
31	7091526	3	BOLT, 5/8" Dia. Shoulder, 3/8-24 Thread	
32	7091541	2	SCREW, 5/16-18 x 3/4" Hex Washer Self-Tap	
33	7091575	3	NUT, 5/16-18 Hex Center Lock, GR5 or B	
34	7091587	3	WASHER, .531 x 1.062 x .121 Flat SAE	
35	7091310	2	HAIR PIN, #13	
36	7091597	4	PIN, 3/32 x 3/4" Cotter	
37	7091601	4	NUT, 5/16-18 Hex Flange Lock, GR5	

Footnotes:

38" CUTTING DECK, BELTS, BRAKES PT.2



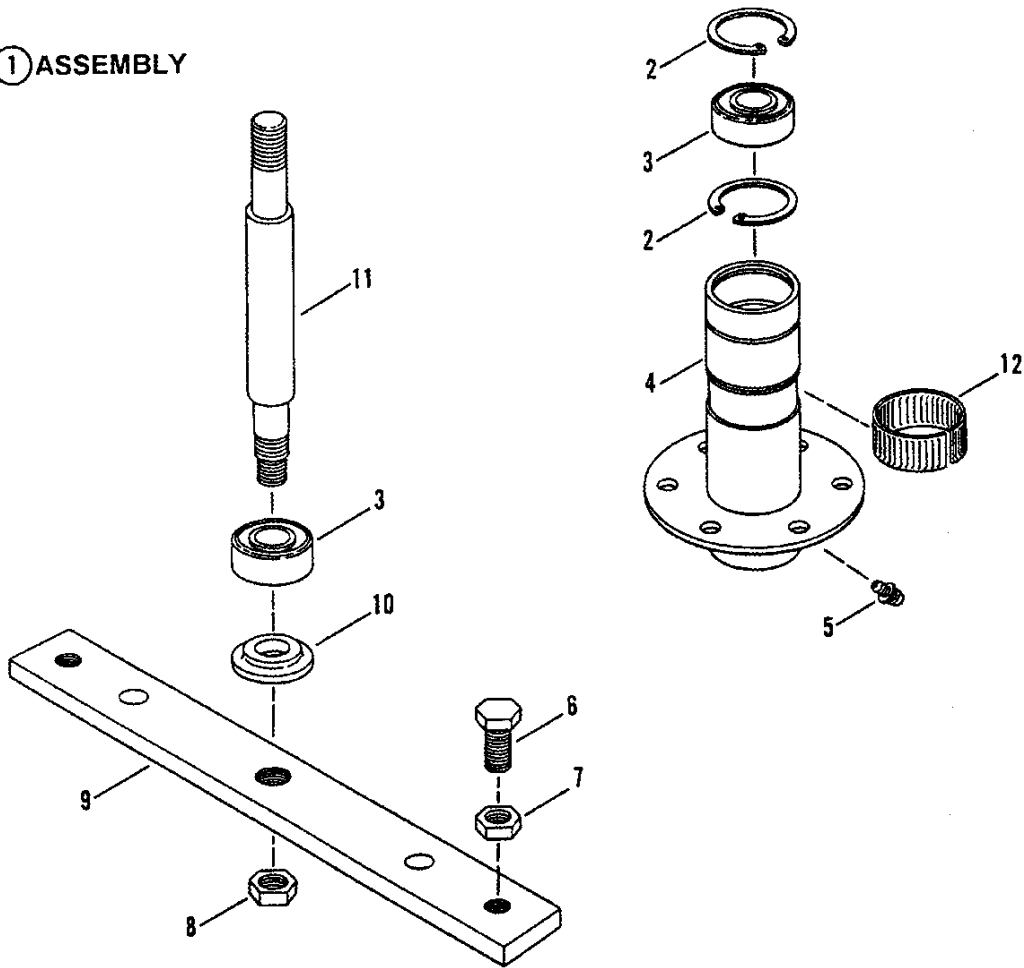
38" CUTTING DECK, BELTS, BRAKES PT.2

Item	Part No	Qty	Description	Note
38	7091675	4	WASHER, .34 x 1.0 x .09 Flat	
39	7091775	1	WASHER, 1/2" I.D. x 2-1/2" O.D. Special "D"	
40	7091619	1	NUT, 3/8-16 Hex Flange Lock	<i>Was 90613</i>
41	7012264	1	SPRING	
42	7029025	1	SPRING, Extension	
43	7091732	1	SCREW, 1/4-20 x 2-3/4" Hex Head Cap, GR5	<i>Was 90971</i>
44	7091576	1	NUT, 1/4-20 Hex, GR5	<i>Was 90063</i>
45	7091545	1	NUT, 1/4-20 Hex Flange Lock, GR5	<i>Was 90477</i>
46	7091596	1	HAIRPIN, .148 x 2.62	
47	7027471	1	PIN, Deck Hanger Improved	
48	7035813	1	SPRING, Side Discharge	

Footnotes:

SPINDLE- 33" CUTTING DECK

① ASSEMBLY

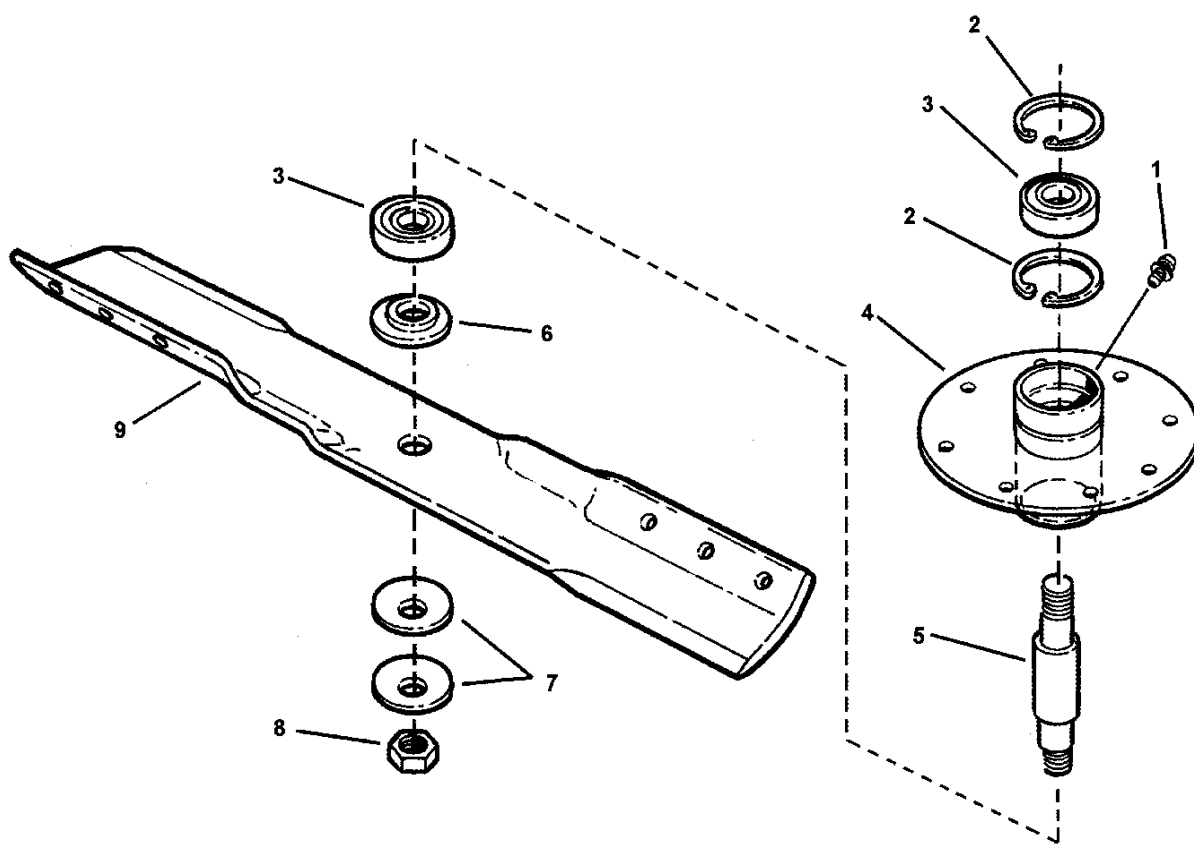


SPINDLE- 33" CUTTING DECK

Item	Part No	Qty	Description	Note
1	7052917	1	ASSEMBLY, Spindle Housing, 33" Cutting Deck (Incl. items 2 thru 11)	
2	7012491	2	RING, 1-3/4" Retaining	
3	7013313	2	BALL BEARING, 3/4" I.D.	
4	7052294	1	WELDMENT, Spindle Housing (Includes Item 5)	
5	7010817	1	LUBE FITTING, Straight (press-fit for .187 dia. Hole)	
6	7090491	2	SCREW, 1/2-20 x 1-1/4" Hex Head Cap, GR5	
7	7091939	2	NUT, 1/2-20 Hex Jam	
8	7090356	1	NUT, 5/8-18 Hex Center Lock Jam, GR5 or B	
9	7037751	1	HOLDER, Blade	
10	7014407	1	WASHER, Spindle	
11	7024687	1	SPINDLE, 4" Shoulder	
12	7012670	1	RING, 2" Tolerance	

Footnotes:

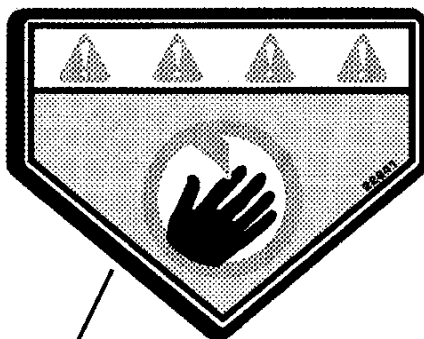
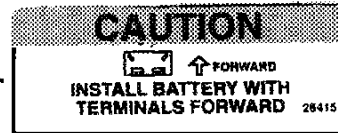
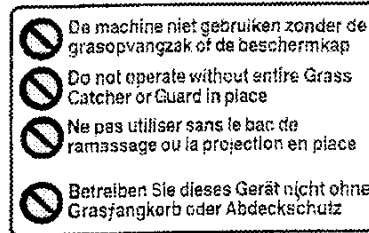
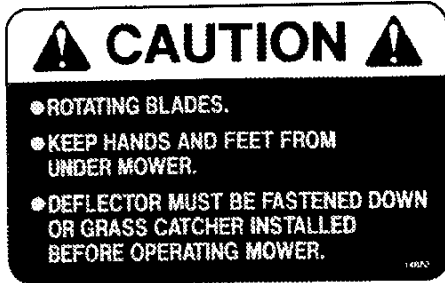
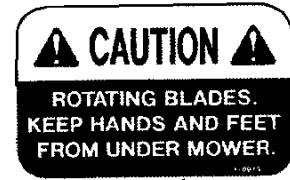
SPINDLE- 38" CUTTING DECK



SPINDLE- 38" CUTTING DECK

Item	Part No	Qty	Description	Note
--	7063198	2	ASSEMBLY, Spindle Housing, 38" Cutting Deck (Includes items 2 thru 9)	<i>Was 59377</i>
1	7010817	1	LUBE FITTING, Straight (press-fit for .187 dia. Hole)	<i>per spindle assembly</i>
2	7012491	2	RING, 1-3/4" Retaining	<i>per spindle assembly</i>
3	7013313	2	BALL BEARING, 3/4" I.D.	<i>per spindle assembly</i>
4	7063199	1	WELDMENT, Spindle Housing	<i>Was 58356, per spindle assembly</i>
5	7072537	1	SHAFT, Spindle	<i>per spindle assembly</i>
6	7072109	1	WASHER, Spindle	<i>per spindle assembly</i>
7	7024467	2	WASHER, Belleville, 19/32" I.D. x 1-3/4" O.D.	<i>per spindle assembly</i>
8	7091633	1	NUT, 9/16-18 Hex Jam, GR B	<i>per spindle assembly</i>
9	7042998	1	BLADE, 19"	<i>per spindle assembly</i>

Footnotes:



CLUTCH/BRAKE PEDAL
LIFT LEVER

PARKING BRAKE LATCH
WARNING
TO AVOID SERIOUS INJURY OR DEATH

BEFORE MOWING:
 READ OPERATOR'S MANUAL AND OTHER INSTRUCTIONS THROUGHLY WITH THIS MACHINE AND ATTACHMENTS.
 KNOW LOCATION AND FUNCTION OF ALL CONTROLS. FAMILIARIZE YOURSELF WITH ALL CONTROLS AND CHECK FOR PROPER OPERATION.
 INSURE THAT SHIELDS, GUARDS, SWITCHES AND OTHER SAFETY DEVICES ARE IN PROPER POSITION AND FUNCTIONING.
 ALWAYS MOWING AREA OF WIRE, ROCKS AND OTHER DEBRIS THAT COULD CAUSE THEM TO BOUNCE OR SLIP.

PROTECT CHILDREN AND OTHER PEOPLE:
 DO NOT ALLOW CHILDREN OR OTHERS TO OPERATE OR ASSIST IN OPERATING MOWER. KEEP CHILDREN AND OTHERS AWAY FROM ROTATING BLADES, WHEELS AND OTHER MOVING PARTS. NEVER ALLOW CHILDREN OR OTHERS TO OPERATE MOWER UNLESS YOU ARE PRESENT AND SUPERVISING.
 ALWAYS REMAIN SEATED WHILE MOWING. NEVER LEAVE MOWER UNATTENDED OR RUNNING WHILE YOU ARE LEAVING.

PREVENT TIP-OVER ACCIDENTS:
 DO NOT MOW ON SLOPES OR IN THE AREA OF STEEP SLOPES OR SLOPES IN EXCESS OF 15 DEGREES. ALWAYS STOP MOWER BEFORE TURNING.

TO STOP MACHINE:
 DEPRESS CLUTCH/BRAKE PEDAL.
TO SET PARKING BRAKE:
 DEPRESS CLUTCH/BRAKE PEDAL, PULL PARKING LATCH AND HOLD WHILE RELEASING PEDAL.
TO ROLL MACHINE:
 MOVE ROLL RELEASE LEVER, LOCATED UNDER FRAME AT REAR OF UNIT TO THE RIGHT AND LOCK INTO PLACE.
TO START ENGINE:
 OPERATOR MUST BE IN SEAT, MOWER BRAKE OFF AND CLUTCH/BRAKE PEDAL DEPRESSED.

TO START DRIVING:
 RELEASE PARKING BRAKE. SHOULD MOVE SPEED SELECTOR FORWARD AND FORWARD THROTTLE AND FORWARD FOR PAUSE. FORWARD DRIVE SELECTOR IF MACHINE IS STOPPED. HOLD UP SPEED THROTTLE OFF AND HOLD IN OVER DRIVE MODE IF DRIVE THROTTLE IS NOT THROTTLE AT HIGH SPEED. THE SPEED SELECTOR MUST BE IN MANUAL MODE.
TO CHANGE DRIVING SPEEDS:
 PUSH SPEED SELECTOR WITHOUT USING PEDAL.

TO STOP MACHINE:
 DEPRESS CLUTCH/BRAKE PEDAL. SHOULD MOVE SPEED SELECTOR FORWARD AND FORWARD THROTTLE AND FORWARD FOR PAUSE. FORWARD DRIVE SELECTOR IF MACHINE IS STOPPED. HOLD UP SPEED THROTTLE OFF AND HOLD IN OVER DRIVE MODE IF DRIVE THROTTLE IS NOT THROTTLE AT HIGH SPEED. THE SPEED SELECTOR MUST BE IN MANUAL MODE.
TO SET CUTTING HEIGHT:
 DEPRESS THUMB BUTTON ON LIFT LEVER. MOVE PIVOT ARM IN LOWER POSITION. PRESS RELEASE BUTTON.
TO MOW PROPERLY:
 INCREASE ENGINE SPEED AND OR DECREASE DRIVING SPEED UNTIL CUT IS SMOOTH AND ENGINE IS NOT UNDER HEAVY LOAD.
BLADE LEVER
 LIFT TO ENGEAGE
 PRESS DOWN TO RELEASE

DO NOT MOW ON SLOPES STEEPER THAN 15 DEGREES. ALWAYS FIRST OF RISE IN FOUR FEET OF LENGTH.
DO NOT MOW ACROSS FACE OF SLOPES. MOW UP AND DOWN.
REDUCE SPEED AND AVOID SHARP TURNS ON SLOPES.
ALWAYS UNWIND STRAPS IF MACHINE IS STOPPED GOING UP SLOPE. TURN BLADES OFF AND STOP MOWER BEFORE MOWING.
KEEP A SAFE DISTANCE AT LEAST THREE FEET AWAY FROM EDGE OF DITCHES AND OTHER DIPS/OFFS.

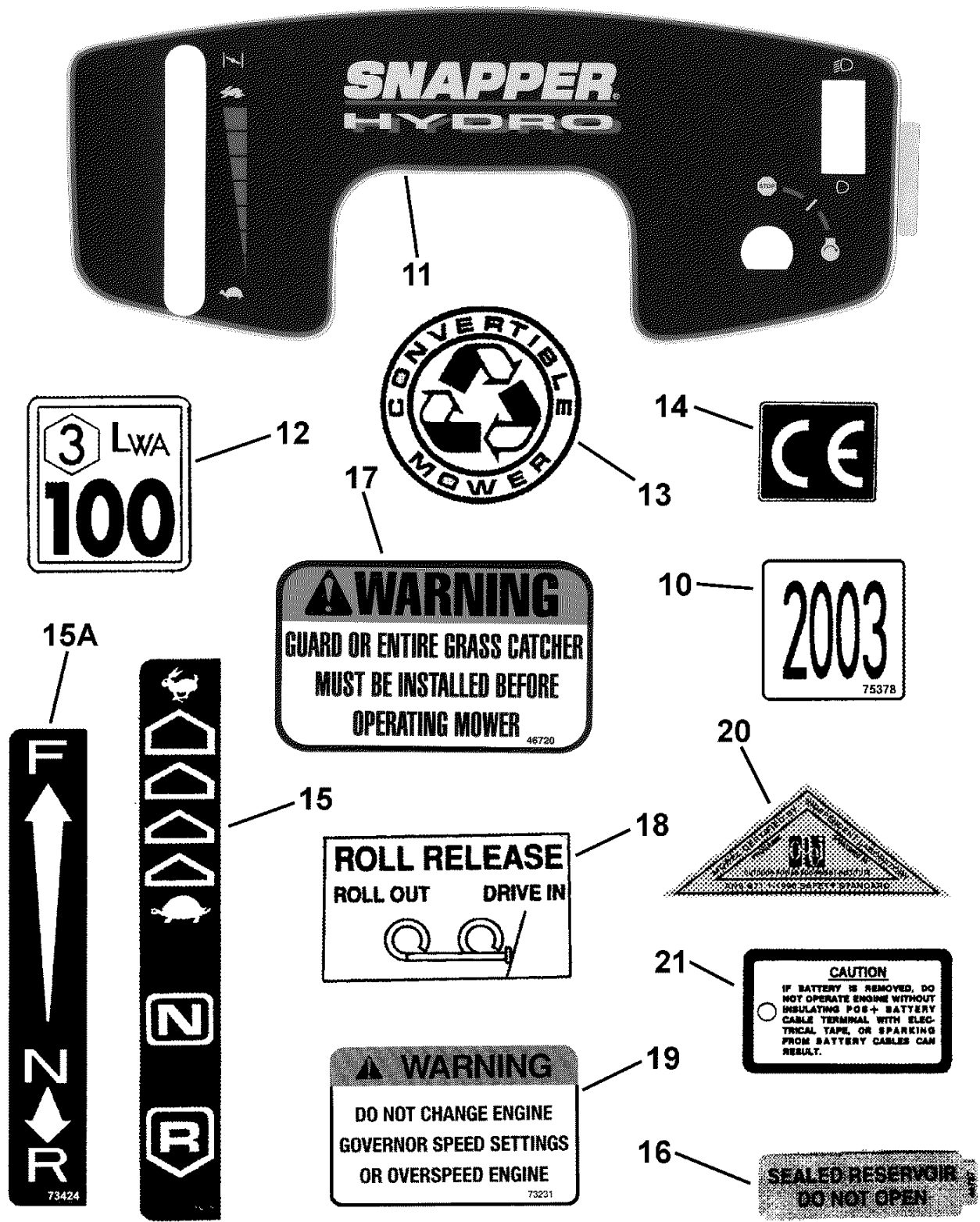
AVOID CONTACT WITH ROTATING BLADES:
 *NEVER REAR OR REAR PUTTING FOOT ON LEVER OR LEAVING SEAT.
 *NEVER BLADE HAS STOPPED BEFORE ATTEMPTING TO UNLOAD, DISMOUNT OR ATTEMPTING TO HOLD HANDS OR FEET NEAR ROTATING BLADES OR SLOPES.

NEVER START MOWER UNLESS PROPERLY SEATED ON MACHINE.
 *STOP MOWER WITH ENGINE OFF.
 *NEVER LEAVE MOWER RUNNING WHEN LEAVING MACHINE.

DECALS PT. 1

Item	Part No	Qty	Description	Note
1	7026154	1	DECAL, 38 Inch	
2	7022991	1	DECAL, 33 Inch Hi-Vac	
3	7014852	1	DECAL, Caution, Rotating Blades	<i>Was 16973</i>
4	7014852	1	DECAL, Caution, Rotating Blades	
5	7026415	1	DECAL, Caution-Battery Installation Fender	
6	7029784	1	DECAL, Deck/Chute International Warning	
7	7013010	1	DECAL, Danger, Cut Finger	
--	7013010	1	DECAL, Danger, Cut Finger (heavy duty adhesive)	<i>Was 26831, not shown</i>
8	7022841	1	DECAL, Danger, Cut Finger (European version)	<i>not shown</i>
9	7072756	1	DECAL, Instructions, Frame Top	<i>not shown</i>
--	7072754	1	DECAL, Instructions, Frame (Euro)	<i>not shown</i>
--	7072757	1	DECAL, Instructions (Dutch version of above)	<i>not shown</i>
--	7072758	1	DECAL, Instructions (German version of above)	<i>not shown</i>
--	7072759	1	DECAL, Instructions (French version of above)	<i>not shown</i>
--	7073207	1	DECAL, Instructions (Spanish version of above)	<i>not shown</i>
--	7073208	1	DECAL, Instructions (Italian version of above)	<i>not shown</i>

Footnotes:

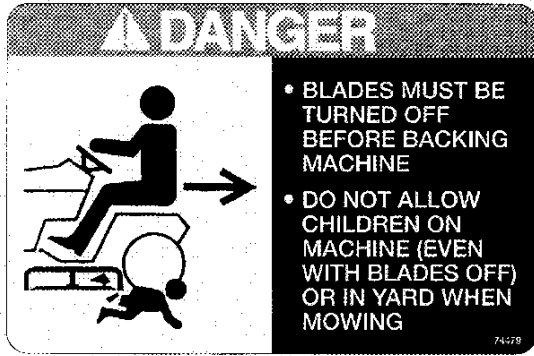


DECALS PT. 2

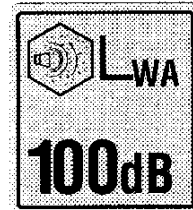
Item	Part No	Qty	Description	Note
10	7075378	1	DECAL, 2003 Year of Manufacture	
--	7029490	1	DECAL, 2004 Year of Manufacture	<i>similar to above; not shown</i>
11	7028561	1	DECAL, Console, Basic	
--	7073579	1	DECAL, Console (2001 Model Year)	
12	7023009	1	DECAL, Noise Control, Euro	
13	7026377	1	DECAL, Medallion	<i>Was 71544</i>
14	7029776	1	DECAL, European Community	
15	7073424	1	DECAL, Shift Cover	<i>Was 16576</i>
15A	7073424	1	DECAL, Shift Cover (Euro)	<i>used on European Models</i>
16	7044767	1	DECAL, Hydro Reservoir	
17	7046720	1	DECAL, Chute/Deflector	
18	7072749	1	DECAL, Roll Release	
19	7073231	1	DECAL, Warning-Speed Setting 14, 16, & 18 HP ENGINES	
--	7073255	1	DECAL, Warning-Speed Setting (German Version of above)	
--	7073256	1	DECAL, Warning-Speed Setting (Dutch Version of above)	
--	7073257	1	DECAL, Warning-Speed Setting (Spanish Version of above)	
--	7073258	1	DECAL, Warning-Speed Setting (Italian Version of above)	
--	7073259	1	DECAL, Warning-Speed Setting (French Version of above)	
20	7073335	1	DECAL, OPEI Ride-On	
--	7078022	1	DECAL, OPEI Ride-On	<i>similar to above; not shown</i>
21	7016134	1	TAG, Caution	<i>used on Series "H" Models Only</i>

Footnotes:

SNAPPER

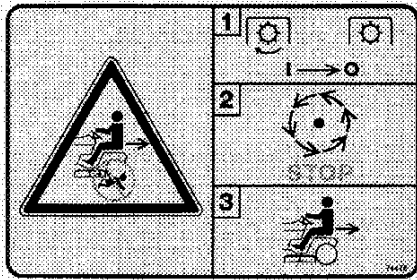


22



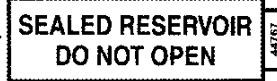
23

26



28

24



27

MOWER BELTS AND BLADES (Eng.)	RIEMEN EN MESSEN VAN DE MAAIJMACHINE (Dut.)
33" MOWER BELT 26546	33" MAAIËRIEM 26546
33" DRIVE BELT 72637	33" DRIËFRIEM 72637
33" MOWER BLADE 19523	33" MAAIMES 19523
42" MOWER BELT 72349	42" MAAIËRIEM 72349
42" DRIVE BELT 73834	42" DRIËFRIEM 73834
42" MOWER BLADE 19795	42" MAAIMES 19795
COURROIES ET LAMES DE TONDEUSE (Fr.)	CINGHIE E LAME DELLA FALCIATRICE (It.)
COURROIE DE TONDEUSE 33" 26546	CINGHIA DELLA FALCIATRICE DA 33" 26546
COURROIE D'ENTRAÎNEMENT, 33" 72637	CINGHIA DI COMANDO DA 33" 72637
LAME DE TONDEUSE 33" 19523	LAMA DELLA FALCIATRICE DA 33" 19523
COURROIE DE TONDEUSE 42" 72349	CINGHIA DELLA FALCIATRICE DA 42" 72349
COURROIE D'ENTRAÎNEMENT, 42" 73834	CINGHIA DI COMANDO DA 42" 73834
LAME DE TONDEUSE 42" 19795	LAMA DELLA FALCIATRICE DA 42" 19795
MÄNWERKRIEMEN UND -MESSER (Ger.)	CORREAS Y CUCHILLAS DE CORTACÉSPEDRES (Sp.)
33" MÄNWERKRIEMEN 26546	CORREA DE CORTACÉSPEDRES DE 33" 26546
33" ANTRIEBSRIEMEN 72637	CORREA DE TRANSMISIÓN DE 33" 72637
33" MESSER 19523	CUCHILLA DE CORTACÉSPEDRES DE 33" 19523
42" MÄNWERKRIEMEN 72349	CORREA DE CORTACÉSPEDRES DE 42" 72349
42" ANTRIEBSRIEMEN 73834	CORREA DE TRANSMISIÓN DE 42" 73834
42" MESSER 19795	CUCHILLA DE CORTACÉSPEDRES DE 42" 19795

Use only genuine SNAPPER replacement parts to assure that original standards are maintained. 75631

MOWER BELTS AND BLADES	
33" MOWER BELT	22786
33" DRIVE BELT	73834
33" MOWER BLADE	34168
<hr/>	
38" MOWER BELT	35500
38" DRIVE BELT	73834
38" MOWER BLADE	42998
<hr/>	
42" MOWER BELT	72349
42" DRIVE BELT	73834
42" MOWER BLADE	26691
<hr/>	
48" MOWER BELT	75121
48" SPINDLE BELT	28334
48" DRIVE BELT	73834
48" MOWER BLADE	75588

USE ONLY GENUINE SNAPPER REPLACEMENT PARTS TO ASSURE THAT ORIGINAL STANDARDS ARE MAINTAINED.

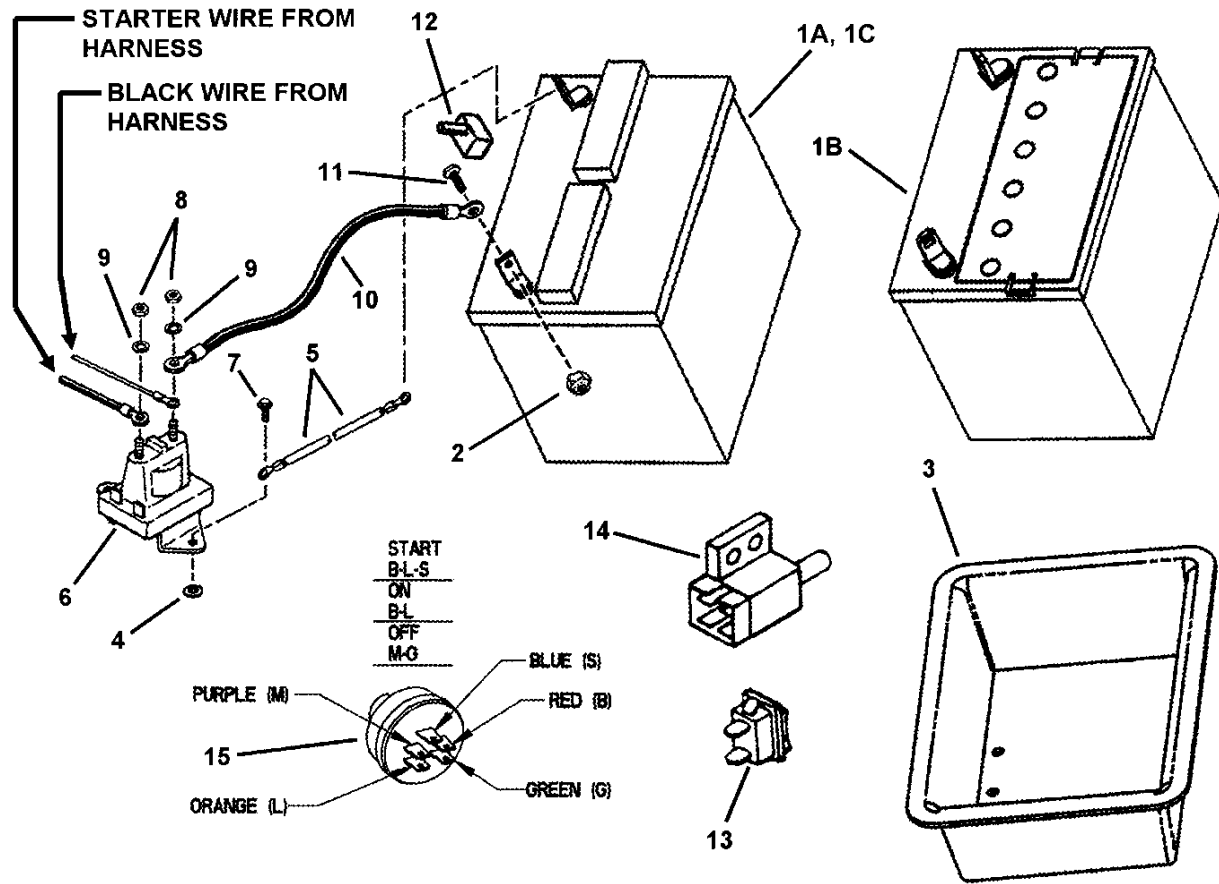
75631

DECALS PT. 3

Item	Part No	Qty	Description	Note
22	7073905	1	DECAL, Snapper- Hood- 3D, Silver Letters	
23	7074135	1	DECAL, Noise Control (Euro)	
24	7044767	1	DECAL, Hydro Reservoir	
25	7074479	1	DECAL, No Mow in Reverse	
26	7074478	1	DECAL, No Mow in Reverse (Euro)	
27	7075631	1	DECAL, Service Parts, Tractor, Domestic	
28	7075632	1	DECAL, Service Parts, Tractor, Euro	

Footnotes:

ELECTRICAL COMPONENTS



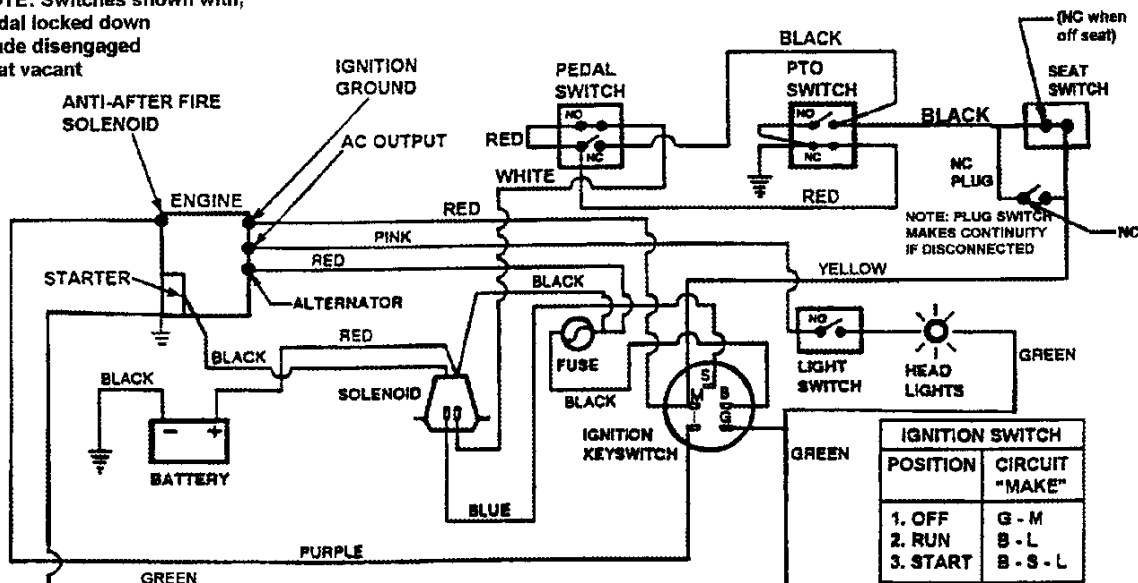
ELECTRICAL COMPONENTS

Item	Part No	Qty	Description	Note
1A	7075912	1	BATTERY, 12v 195 cca 7 Plates/Cell, Wet	<i>used on Series "H" & "I" LT</i>
1B	7075913	1	BATTERY, 12v 300 cca 9 Plates/Cell, Wet	<i>replaces 74018; used on Series "H" & "I" WLT</i>
1C	7019044	1	BATTERY, 12v 165 cca 7 Plates/Cell, Dry	<i>used on Euro Models</i>
2	7076978	6	NUT, 1/4-20 Hex Nyloc	
3	7017853	1	TRAY, Battery	
4	7012485	2	RETAINER, 1/4" Bolt	
5	7026414	1	WIRE, Ground, Black, 6" long	
6	7075622	1	SOLENOID- Super Trombetta- 2 Terminal	<i>replaces 18604</i>
7	7091122	2	SCREW, 1/4-20 x 1/2" Hex Washer Self-Tap	<i>Was 90539</i>
8	7090977	2	NUT, 1/4-20 Hex Jam	
9	7090053	2	WASHER, 1/4" Internal Tooth Lock	<i>Was 91314</i>
10	7014476	1	WIRE, Positive, Red, 11" long (solenoid to battery)	
11	7090072	2	SCREW, 1/4-20 x 5/8" Hex Head Cap, GR5	<i>Was 27172</i>
12	7012444	1	COVER, Battery Cable	
13	7023187	1	LIGHT SWITCH, Rocker, SPST	
14	7023355	1	SWITCH- DPDT NC/NO	
15	7026343	1	SWITCH, Ignition-Afterfire Solenoid	

Footnotes:

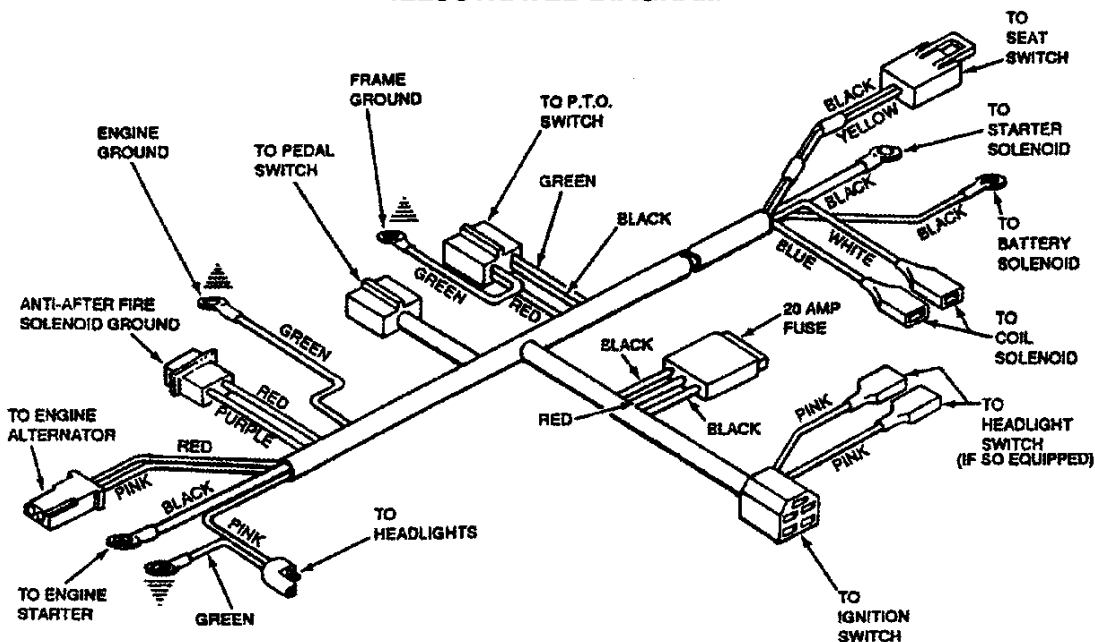
ELECTRICAL SCHEMATIC (Series H)

NOTE: Switches shown with,
Pedal locked down
Blade disengaged
Seat vacant



SCHEMATIC - WIRING HARNESS P.N. 2-6616

ILLUSTRATED DIAGRAM



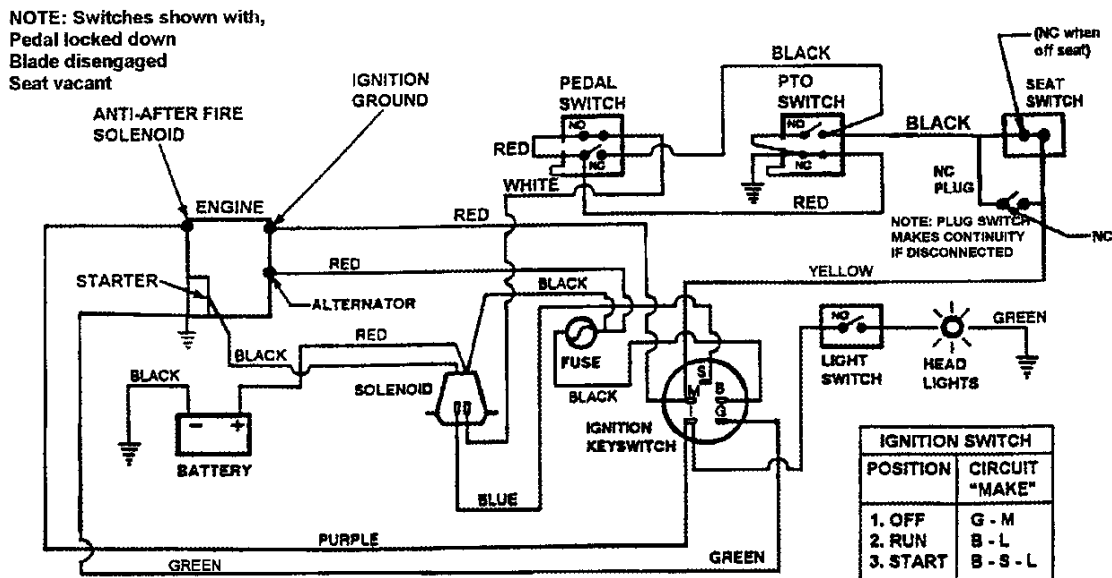
**WIRING HARNESS 2-6616
(Used in Series "H")**

ELECTRICAL SCHEMATIC (Series H)

Item	Part No	Qty	Description	Note
--	7026616	1	HARNESS, Main B&S 14HP OHV	<i>used on Series "H" Models</i>

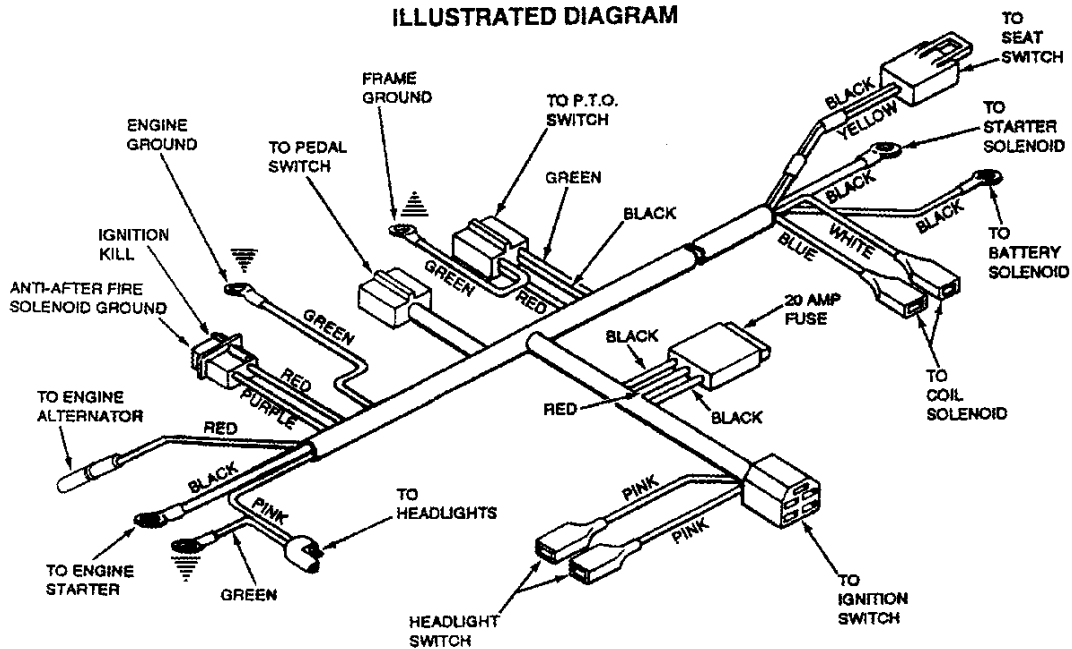
Footnotes:

ELECTRICAL SCHEMATIC (15 H.P. Series I)



SCHEMATIC - WIRING HARNESS P.N. 7-5211

ILLUSTRATED DIAGRAM



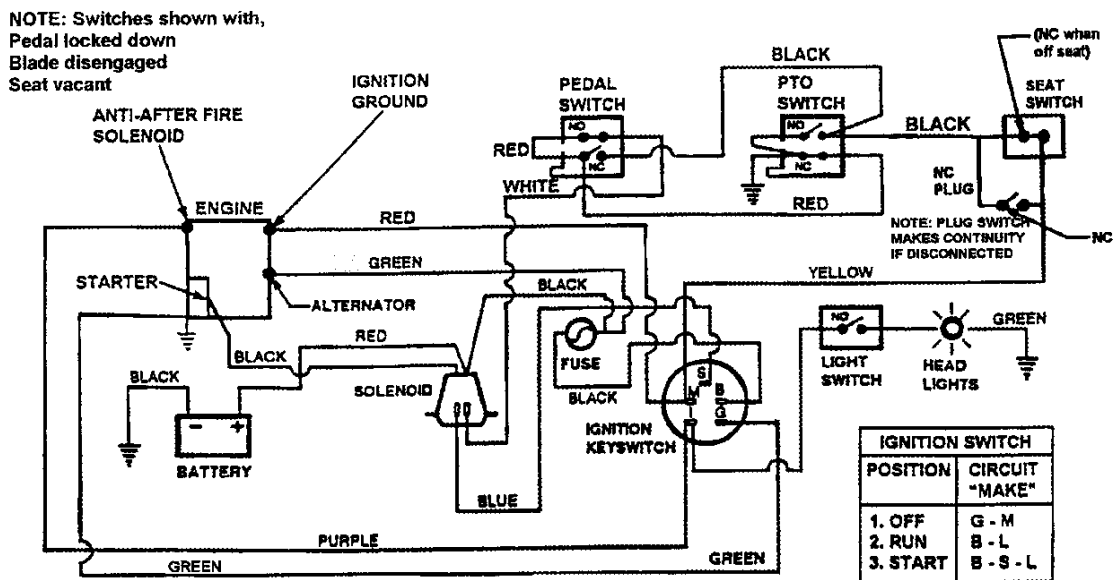
**WIRING HARNESS 7-5211
(Used in 15 H.P. Series "I")**

ELECTRICAL SCHEMATIC (15 H.P. Series I)

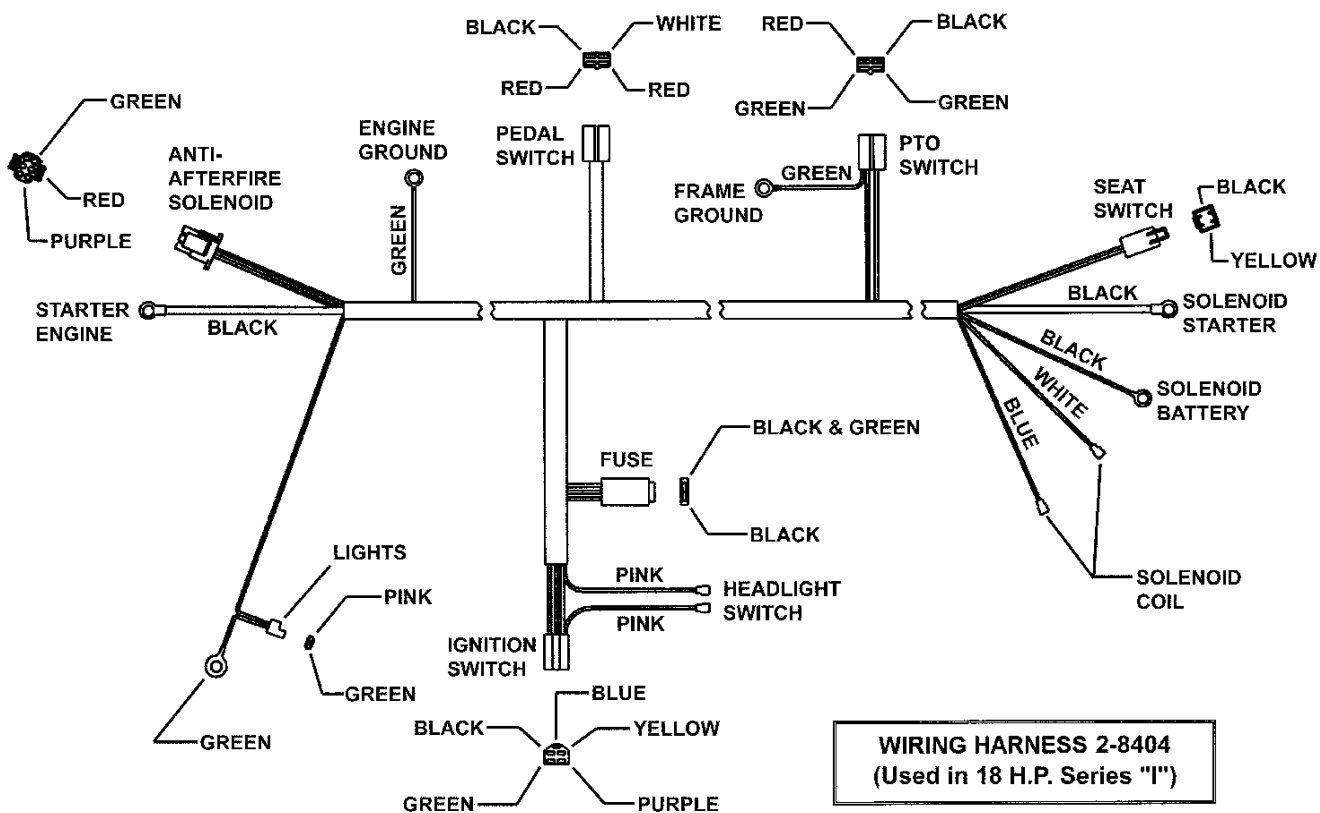
Item	Part No	Qty	Description	Note
--	7075211	1	HARNESS, Main B&S 15HP OHV	<i>used on 15 H.P. Series "I" Models</i>

Footnotes:

ELECTRICAL SCHEMATIC (18 H.P. Series I)



SCHEMATIC - WIRING HARNESS P.N. 2-8404



ELECTRICAL SCHEMATIC (18 H.P. Series I)

Item	Part No	Qty	Description	Note
--	7028404	1	HARNESS, Main B&S 18HP OHV	<i>used on 18 H.P. Series "I" Models</i>

Footnotes:

Parts Manual for

SNAPPER[®]

LAWN TRACTORS MANUAL CLUTCH HYDRO DRIVE SERIES H & I

IT IS THE POLICY OF SNAPPER TO IMPROVE ITS PRODUCTS
WHENEVER IT IS POSSIBLE AND PRACTICAL TO DO SO. WE
RESERVE THE RIGHT TO MAKE CHANGES OR ADD IMPROVEMENTS
AT ANY TIME WITHOUT INCURRING ANY OBLIGATION TO MAKE
SUCH CHANGES ON PRODUCTS MANUFACTURED PREVIOUSLY.

SNAPPER McDonough, GA, 30253 U.S.A.