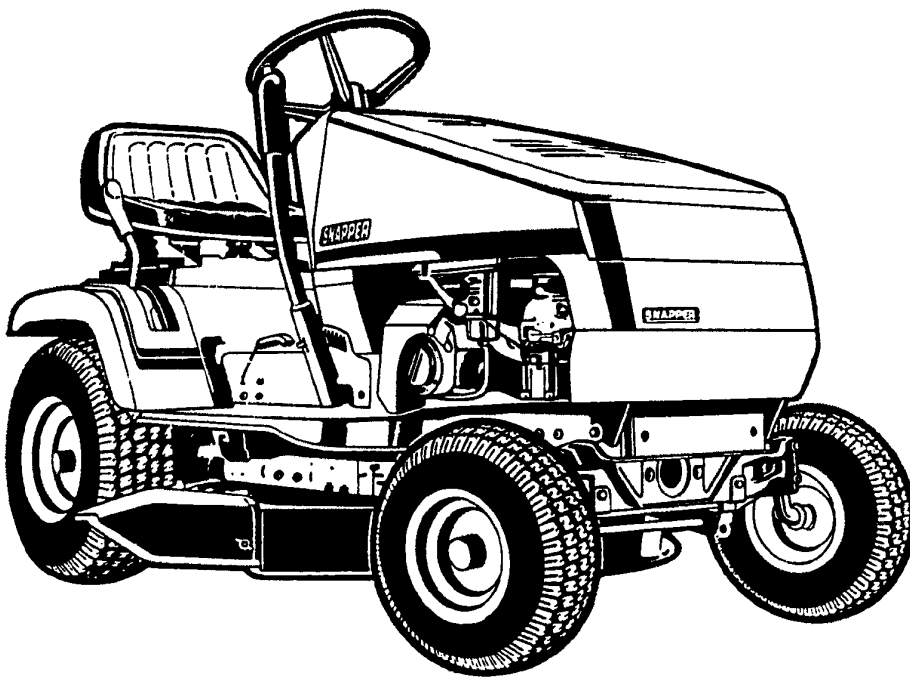


Parts Manual for

SNAPPER®

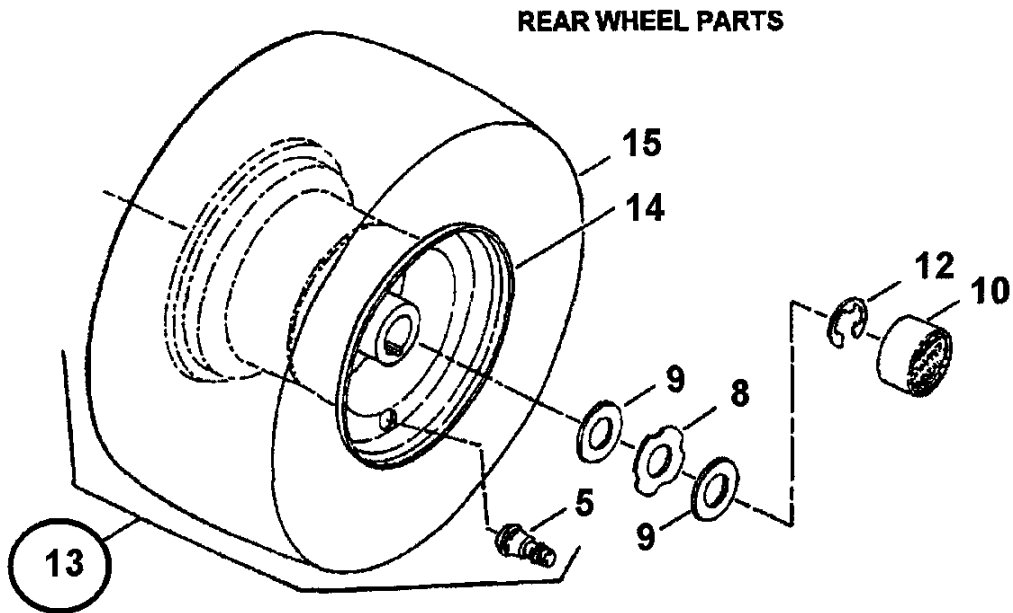
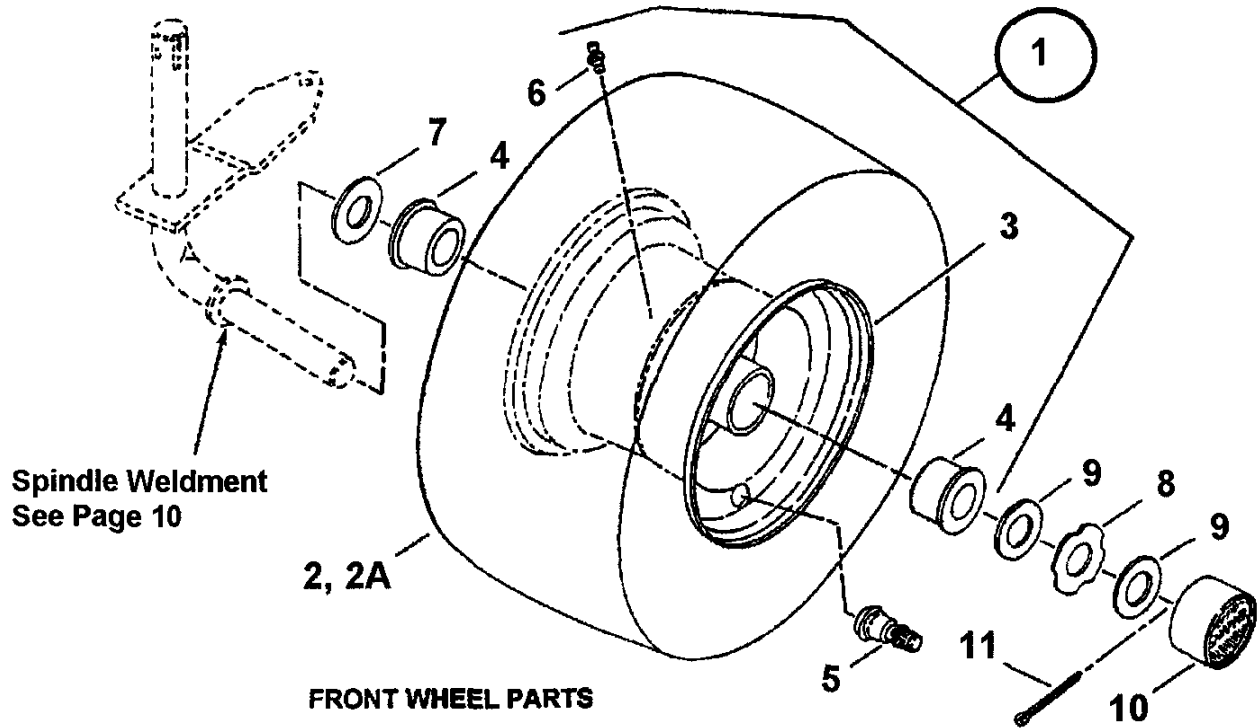
LAWN TRACTORS MANUAL CLUTCH HYDRO DRIVE SERIES "G"

MODEL
ELT145H33GBV
LT145H33GBV
LT145H38GBV
LT150H38GKV
WLT145H38GKV



SNAPPER® McDonough, GA, 30253 U.S.A.

PAGE	GROUP
4	Wheels, Front & Rear
6	Hood, Bumper, Headlights & Components
8	Steering Wheel, Console, Fuel Tank
10	Cast Front Axle
12	Frame, Clutch, Brake & Steering Components
18	Blade Engagement & Transmission Controls
22	Implement Lift Parts
24	Transmission Group (Hydro Drive)
26	Hydro Reservoir Assembly
28	Engine Components
30	Belt Guide Assembly
32	Seat, Rear Fender & Components
34	Decals (Part 1)
36	Decals (Part 2)
38	33" Cutting Deck, Belts, Brakes
44	Spindle - 33" Cutting Deck
46	38" Cutting Deck Assembly (Part 1)
48	38" Cutting Deck Assembly (Part 2)
52	38" Cutting Deck, Belts, Brakes
56	Spindle - 38" Cutting Deck
58	Electrical Components
60	Electrical Illustrated Diagram - Wiring Harness P/N 26616
62	Electrical Schematic - Wiring Harness P/N 26616

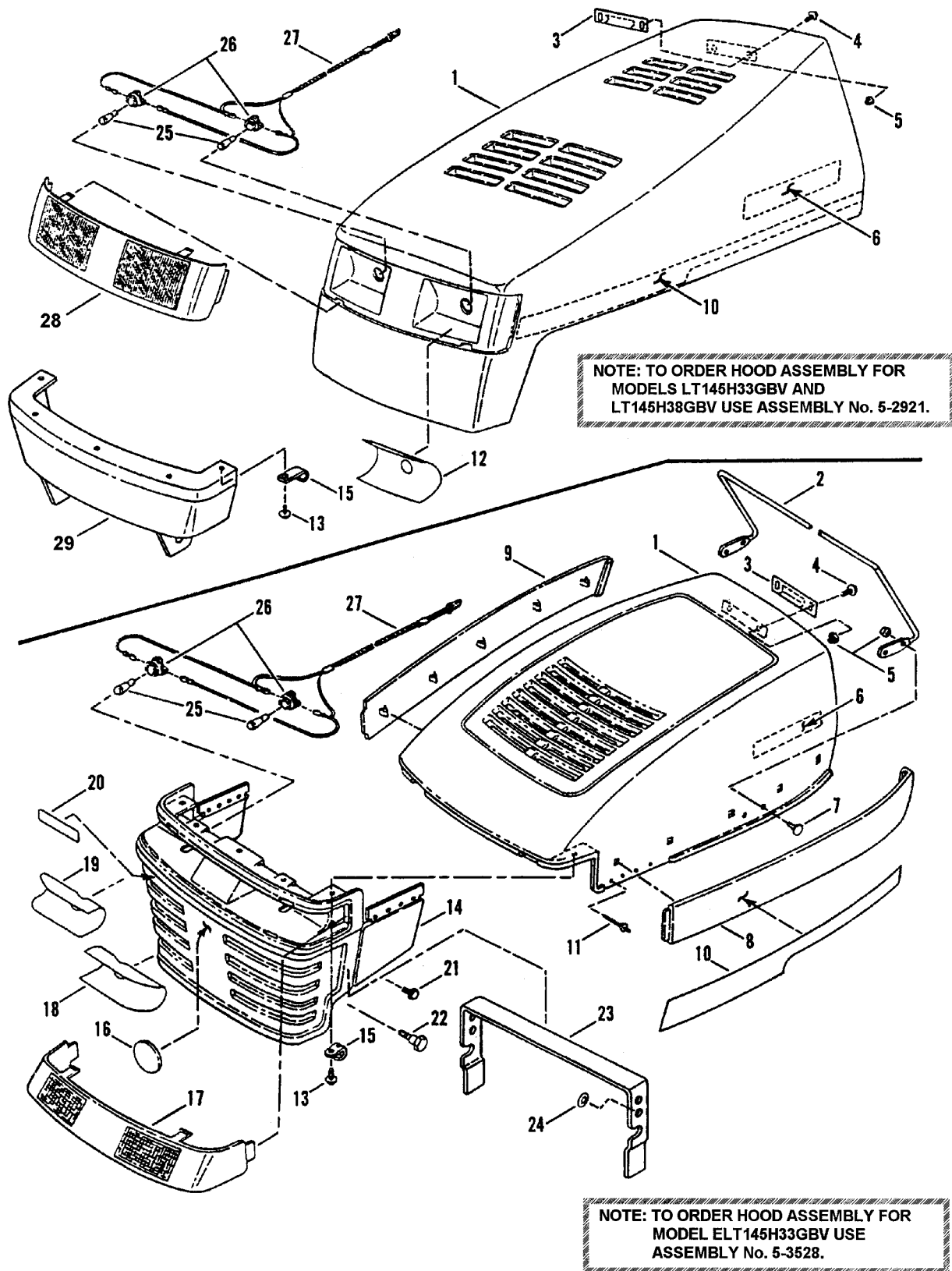


Wheels, Front & Rear

Item	Part No	Qty	Description	Note
1	7058515		ASSEMBLY, Front Tire & Rim	(Includes items 2, 3, 4, 5 & 6) (Models: LT145H33GBV & ELT145H33GBV)
	7058517		ASSEMBLY, Front Tire & Rim	(Includes items 2A, 3, 4, 5 & 6) (Model: LT145H38GBV & LT150H38GBV)
2	7072702		TIRE, 13 x 5.00	
2A	7072704		TIRE, 15 x 6.00	
3	7022772		RIM, 6.00 x 3.50	
4	7014483	4	BEARING, Wheel	
5	7012234	4	VALVE, Air (Snap-in)	
6	7076998	2	FITTING, Lube 1/4-28 Tapered Thread	Was 13876
7	7034453	2	WASHER, Flat, 5/32 x 25/32" I.D. x 1-1/2" O.D.	
8	7029618	4	WASHER, Hub-Cap Retaining	
9	7029617	8	WASHER, Flat, 1/16 x 49/64 I.D. x 1-5/16" O.D.	
10	7011022	4	HUB-CAP	
11	7091516	2	COTTER-PIN, 5/32 x 1"	
12	7010746	2	RING, External Retaining, 3/4"	Was 29738
13	7058518		ASSEMBLY, Rear Tire & Rim	(Includes items 5, 14 & 15)
14	7024454		RIM, 8 x 7.00	
15	7072705		TIRE, 18 x 8.50-8	

Footnotes:

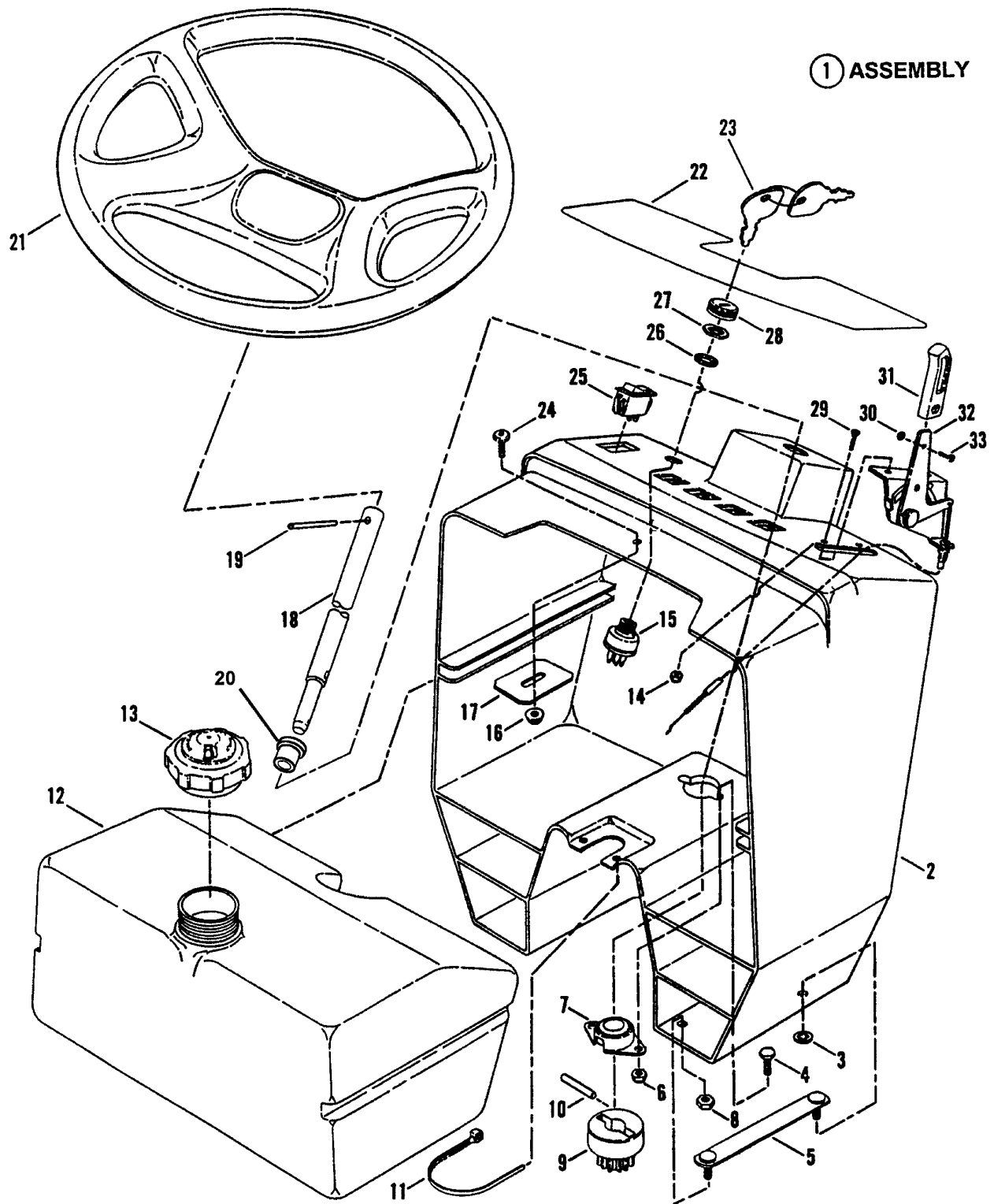
Hood, Bumper, Headlights & Components



Hood, Bumper, Headlights & Components

Item	Part No	Qty	Description	Note
1	7063298		HOOD	<i>Was 24605 (All Models except ELT145H33GBV)</i>
	7024471		HOOD, Mozart	<i>(Model ELT145H33GBV)</i>
2	7016766		ROD, Hood Support	
3	7024718		LATCH, Spring	
4	7090999	2	SCREW, 1/4-20 x 5/8" Truss Head, Torx	
5	7076978	6	NUT, 1/4-20 Hex Nyloc	
6	7022971		DECAL - SNAPPER, 8" Molded Logo, Silver Letters	
7	7090803	4	BOLT, 1/4-20 x 5/8" Flat Head Carriage, Grade 5	
8	7029572		PANEL, Hood (Left Hand) (Black)	<i>(Model ELT145H33GBV)</i>
9	7029571		PANEL, Hood (Right Hand) (Black)	<i>(Model ELT145H33GBV)</i>
10	7029076		DECAL, Hood (Right Hand)	<i>(Model ELT145H33GBV)</i>
	7029075		DECAL, Hood (Left Hand)	<i>(Model ELT145H33GBV)</i>
11	7091095	8	RIVET, 1/8" Pop	
12	7017175		DECAL, Clear Lens (Left Hand)	<i>(All Models except ELT145H33GBV)</i>
	7017174		DECAL, Clear Lens (Right Hand)	<i>(All Models except ELT145H33GBV)</i>
13	7091106	5	SCREW, M4.8 x 1.59 x 16.00MM, Special	
14	7029570		GRILLE, Hood	<i>(Model ELT145H33GBV)</i>
15	7026482		CLIP, "J"	
16	7026377		DECAL, Molded Medallion	<i>Was 71544</i>
17	7029602		LENS, Grille (Headlights)	
18	7026180		DECAL, Reflect (Left Hand)	<i>(Model ELT145H33GBV)</i>
19	7026179		DECAL, Reflect (Right Hand)	<i>(Model ELT145H33GBV)</i>
20	7022968		DECAL - SNAPPER, 4" Molded Logo (Silver Letters - Blue Stripe)	
21	7090858	4	SCREW, 5/16-18 x 1/2" Self-Tapping, Grade 5	
22	7024061	2	BOLT, Shoulder, 3/8-16 x 1-1/4" Hex Socket, Torx	
23	7034324		BRACE, Hood Support	
24	7011791	4	RETAINER, 5/16" Bolt	
25	7026172	2	BULB, Headlights	
26	7024709	2	SOCKET, Headlight Bulb	
27	7026171		HARNESS, Headlight Wiring	
28	7024893		LENS, Clear	<i>(Models with Headlights)</i>
29	7029620		BUMPER, Front Hood Support	

Footnotes:

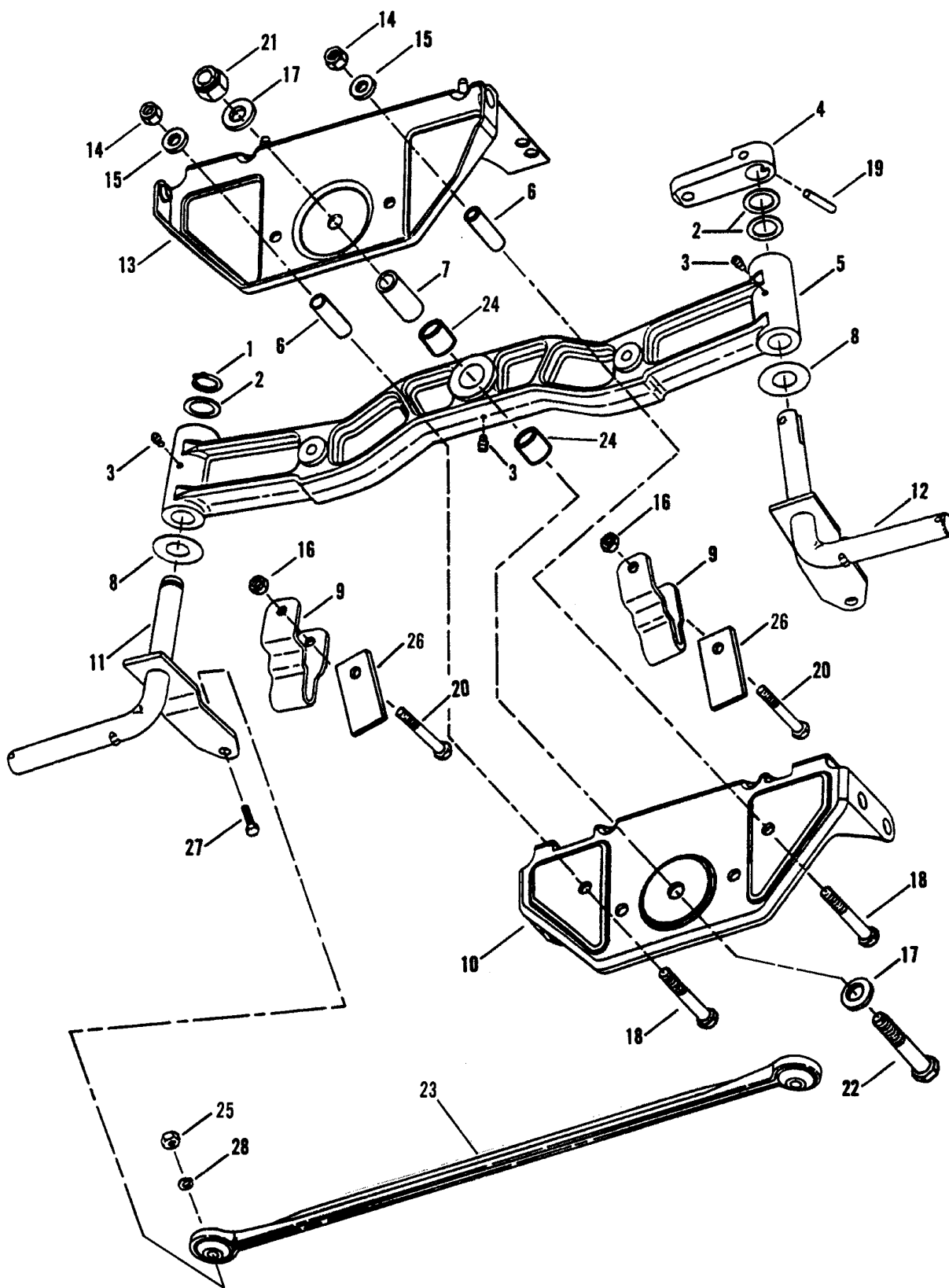


Steering Wheel, Console, Fuel Tank

Item	Part No	Qty	Description	Note
1	7053746		ASSEMBLY, Console	<i>(Includes items 2 thru 7)</i>
2	7028565		CONSOLE	
3	7011791	4	RETAINER	
4	7091495	2	SCREW, 1/4-20 x 3/4" Hex Head Cap, Grade 5	
5	7052891	2	ASSEMBLY, Strap-Clinch Stud	
6	7076978	2	NUT, 1/4-20 Hex Nyloc	
7	7026196		ASSEMBLY, Flange Bearing	
8	7091575	4	NUT, 5/16-18 Hex Center Lock, Grade 5	
9	7022368		GEAR, Pinion, Steering Shaft	
10	7022369		PIN, Dowel, 1/4 x 1-1/4"	
11	7024641		TIE, Wire	
12	7052907		ASSEMBLY, Fuel Tank	<i>(Includes item 13)</i>
13	7012515		CAP, Fuel Tank	<i>Was 14363</i>
14	7091290	2	NUT, #10-24 Hex Nyloc	<i>Was 91599</i>
15	7026343		KEYSWITCH	<i>(Includes item 27)</i>
16	7090951		NUT, 5/16-18 Hex Flange Center Lock	
17	7033883		BRACKET, Hood Latch Catch	
18	7022380		SHAFT, Steering	
19	7012765		ROLL-PIN	
20	7035496		BUSHING	
21	7029595		STEERING WHEEL	
22	7028561		DECAL, Console	<i>(Hydro Drive Models - With Lights)</i>
23	7011138		KEY, Pair	
24	7091001		SCREW, 5/16-18 x 5/8" Truss Head, Torx	
25	7023187		SWITCH, Lights	
26	7029714		SPACER	
27	7012685		NUT, 5/8-32 Hex	<i>Was 29721</i>
28	7023506		BEZEL	
29	7091188	2	SCREW, #10-24 x 5/8" Machine	
30	7091018		NUT, #8-32 Hex	
31	7023655		HANDLE, Throttle Control	
32	7024642		CONTROL, Throttle	
33	7091017		SCREW, #8-32 x 3/8" Cross-Recessed, Machine	

Footnotes:

Cast Front Axle

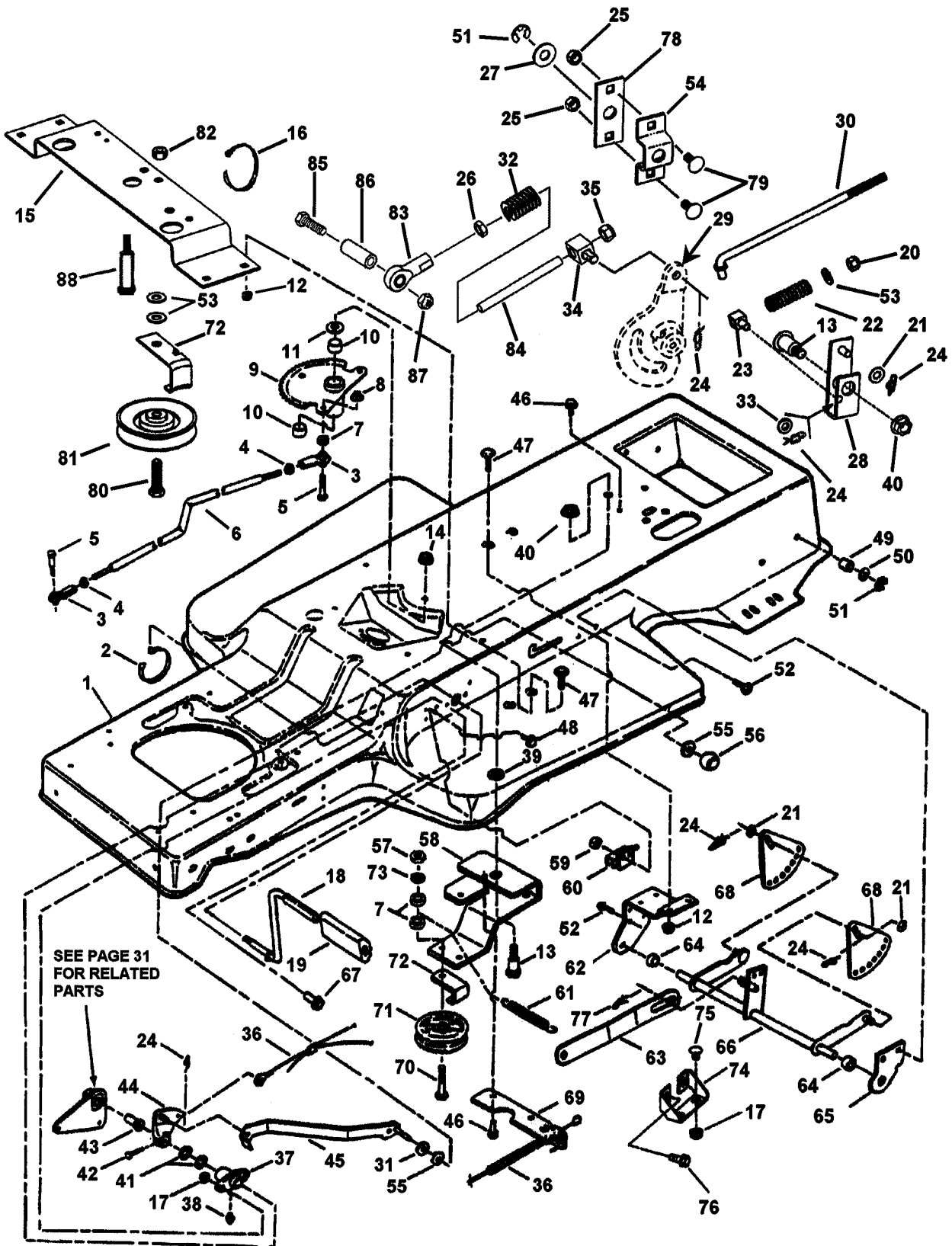


Cast Front Axle

Item	Part No	Qty	Description	Note
1	7010746		RING, 5/8 External Retaining	
2	7010935	3	WASHER, 49/64 x 1-1/8 x 1/16" Flat	
3	7014669	3	FITTING, 3/16 Lube	
4	7019034		ARM, Steering	
5	7072411		AXLE, Cast	
6	7028666	2	SPACER, 25/64 x 1/2 x 1-13/16"	
7	7028689		SPACER, Center	
8	7031036	2	WASHER, Thrust	
9	7033383	2	BRACKET, Deck Hanger	
10	7074424		BRACKET, Cast Axle (Rear)	Was 34740
11	7041245		WELDMENT, Right Hand Spindle Wheel (Long)	
12	7041246		WELDMENT, Left Hand Spindle Wheel (Long)	
13	7054515		ASSEMBLY, Cast Axle Front Bracket	
14	7091299	2	NUT, 3/8-16 Hex Nyloc	Was 76979
15	7090122	2	WASHER, 3/8 x 5/64" Flat	
16	7091575	3	NUT, 5/16-18 Hex Center Lock	Was 90184
17	7090250	3	WASHER, 1/2 x 3/32" Flat	
18	7091557	2	SCREW, 3/8-16 x 2-3/4" Hex Head Cap, Grade 2	Was 90795
19	7090842		PIN, 1/4 x 1-1/4" Roll	
20	7090831	2	SCREW, 5/16-18 x 2-3/4" Hex Head Cap, Grade 5	
21	7091121		NUT, 1/2-13 Hex Nyloc	
22	7091821		SCREW, 1/2-13 x 3" Hex Head Cap Grade 5	Was 91694
23	7028326		TIE ROD, Reduced Radius	
24	7012706	2	BEARING, Sleeve	
25	7091302	2	NUT, 3/8-16 Hex, Grade 5	
26	7035372	2	SPACER, Steering Stop	
27	7091497	2	SCREW, 3/8-16 x 1-1/2" Hex Head Cap, Grade 5	
28	7091320	2	WASHER, 3/8 Split Lock	

Footnotes:

Frame, Clutch, Brake & Steering Components

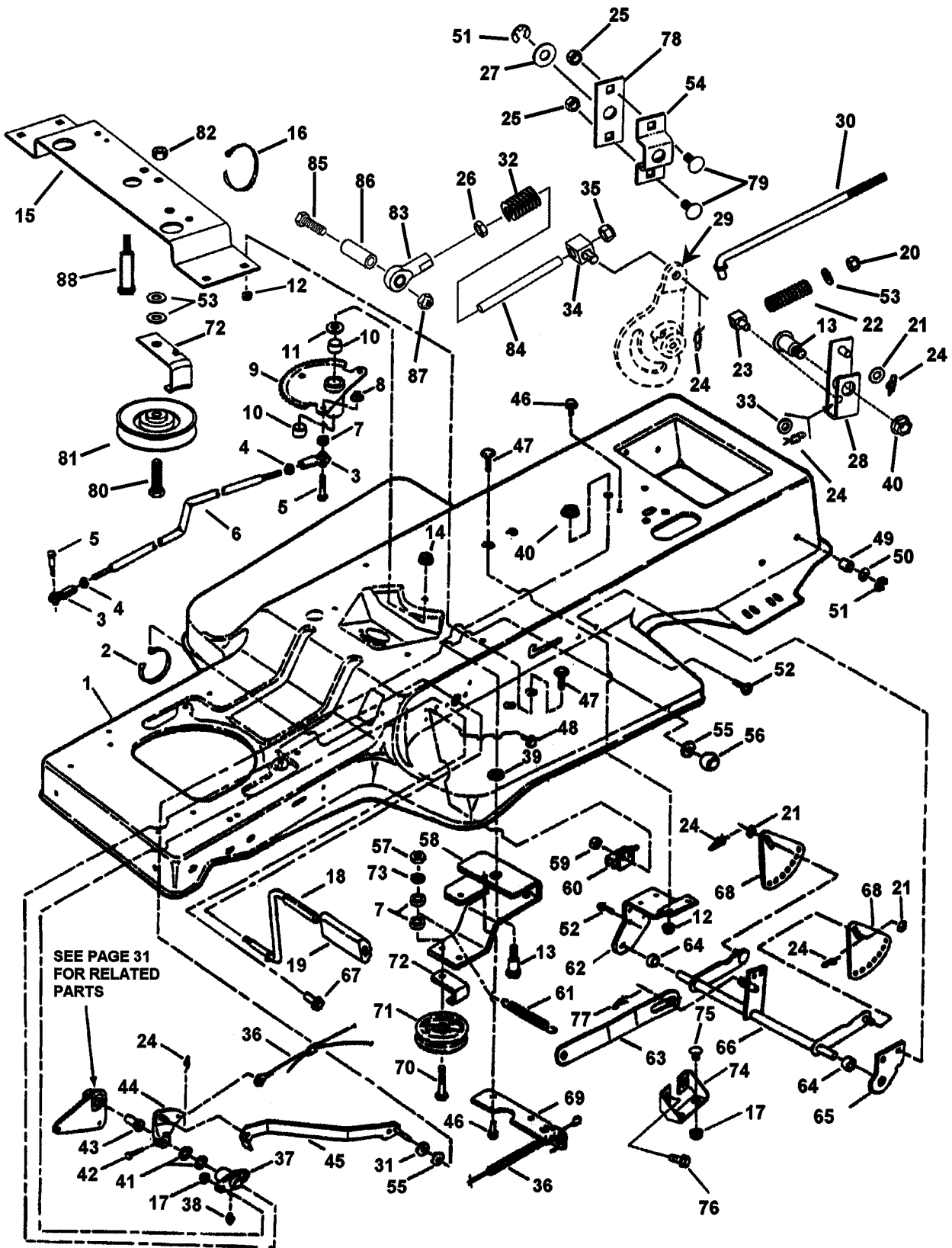


Frame, Clutch, Brake & Steering Components

Item	Part No	Qty	Description	Note
1	7073345		FRAME, Tractor (1 piece)	
2	7014451		TIE, Wire	
3	7027936	2	ROD END	
4	7090482	2	NUT, 3/8-24 Hex Jam	
5	7090163	2	SCREW, 3/8-24 x 1-1/4" Hex Cap	
6	7028420		LINK, Drag	
7	7024180	2	SPACER	
8	7091619		NUT, 3/8-16 Hex Flange Lock	Was 90613
9	7053568		ASSEMBLY, Sector Gear	(Includes 41267 Weldment & item 10)
10	7012706	2	BEARING, Sector Gear	
11	7031036		WASHER, 3/4" Thrust	
12	7091584	6	NUT, 1/4-20 Hex Flange Lock	Was 90583
13	7022381	2	BOLT, 1/2-13 x 2" Shoulder	
14	7090975		NUT, 1/2-13 Hex Center Lock Gr. A	
15	7072636		BRACE, Sector Gear	
16	7012080		TIE, Cable 7"	
17	7091601	4	NUT, 5/16-18 Hex Flange Lock, Gr. 5	Was 90585
18	7022743		PEDAL, Clutch Brake	
19	7012661		PAD, Pedal	
20	7091299		NUT, 3/8-16 Hex Nyloc	
21	7090122	2	WASHER, 3/8 Bright Zinc, Flat	
22	7024381		SPRING, Brake	
23	7028037		SWIVEL, Inline Brake	
24	7091593	5	PIN, 3/8 x 1-7/32" Cotter (Self Locking)	
25	7091575	4	NUT, 5/16-18 Hex Center Lock	
26	7092031		NUT, 5/16-24 Hex Jam Lock	
27	7090517		WASHER, 44" ID Flat	Was 91300
28	7058339		WELDMENT, Brake Arm	
29			ARM, Speed Control	
30	7072369		ROD, Brake	
31	7090188		WASHER, 5/16" Flat	
32	7046782		SPRING	
33	7032070	2	WASHER, .406 I.D. Flat	
34	7073607		SWIVEL, Brake Link	
35	7092058		NUT, 5/16-24 Hex Top Lock	
36	7072626		ASSEMBLY, Clutch/Brake Cable	
37	7052431		ASSEMBLY, Foot Shaft Pivot	(Includes item 38)

Footnotes:

Frame, Clutch, Brake & Steering Components

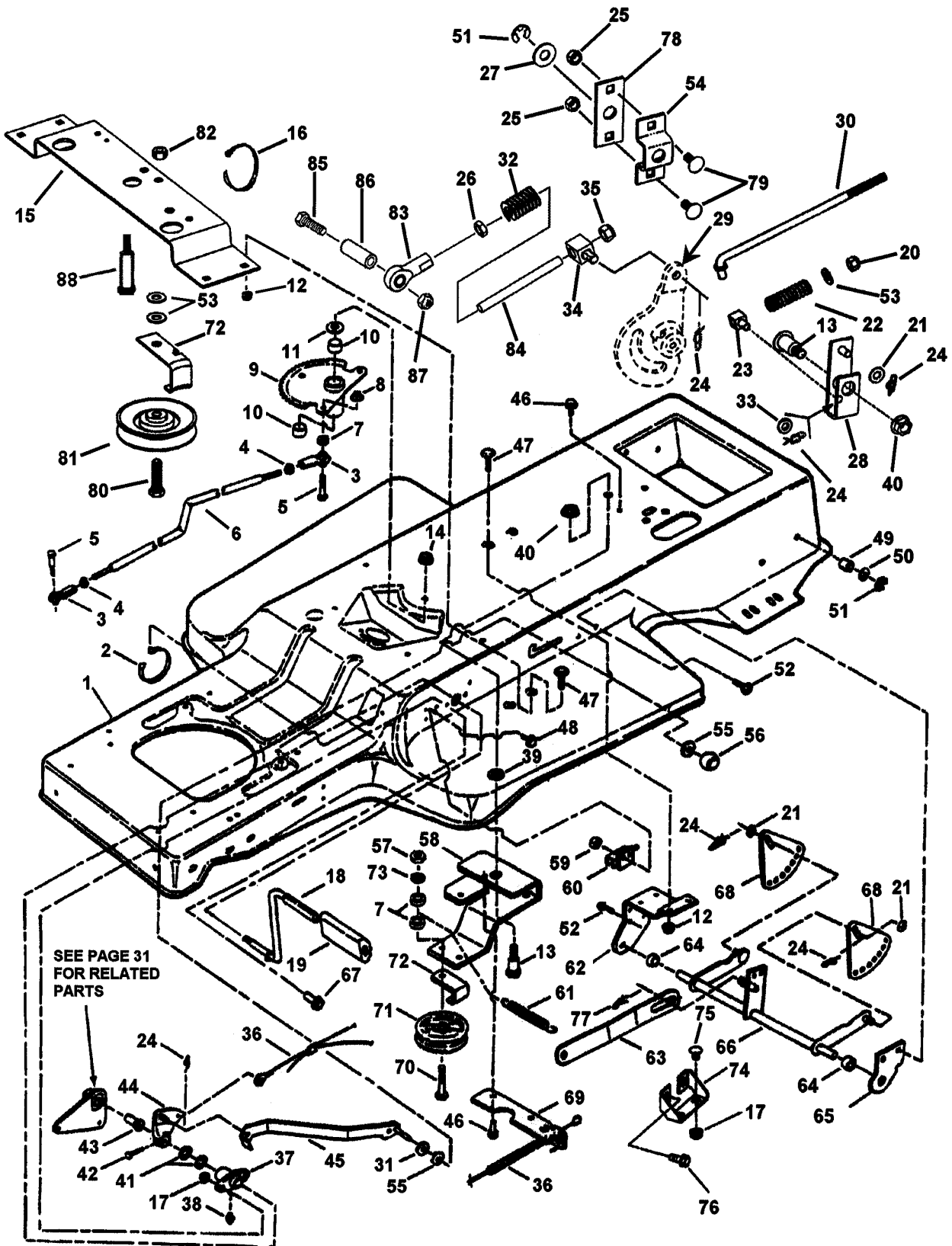


Frame, Clutch, Brake & Steering Components

Item	Part No	Qty	Description	Note
38	7013864		LUBE FITTING, Straight (press-fit for .187 dia. Hole)	
39	7090509		WASHER, 1/2" Internal Tooth Lock	
40	7090619		NUT, 1/2-13 Hex Flange Lock	
41	7027344	2	WASHER, 5/8" Flat	Was 15992
42	7023645		PIN, 3/16 x 1-1/2" Clevis	
43	7022742		BEARING, Flange	
44	7041236		WELDMENT, Clutch Brake Arm	
45	7041244		LATCH, Park Brake	
46	7090361	3	SCREW, 5/16-18 x 5/8" Self-Tap	
47	7090803	6	BOLT, 1/4-20 x 5/8" Carriage	
48	7091240	2	SCREW, #10-32 x 5/8" Self-Tap	
49	7011016	2	BUSHING, 1/2" Nylon	
50	7091587	2	WASHER, 1/2" Flat	
51	7014341	3	RING, 1/2" External Retaining	
52	7091001	5	SCREW, 5/16-18 x 5/8" Truss	
53	7090122	3	WASHER, 3/8" Flat	Was 91514
54	7072298		BRACKET, Pivot Mounting	
55	7023649	2	WASHER, 5/16" Nylon	
56	7072403		KNOB, Clutch/Brake (5/16-18)	
57	7091302		NUT, 3/8-16 Hex, Grade B or 5	
58	7033557		ARM, Idler (Traction Drive)	
59	7090376	2	NUT, #10-32 Hex Nyloc	
60	7023355		SWITCH, DPDT NC/NO	
61	7024383		SPRING, Traction Drive	
62	7034410		BRACKET, Rear Lift/PTO Lever	
63	7034347		LINK, Lift (33" Deck)	
	7034850		LINK, Lift (38" Deck)	
64	7034384	2	SPACER	
65	7033520		BRACKET, Deck Hang Pivot	
66	7041249		WELDMENT, Rear Lift Arm (33" Deck)	
	7042597		WELDMENT, Rear Lift Arm (38" Deck)	
67	7091000	2	SCREW, 5/16-18 x 7/8" Truss Head (Torx)	
68	7034377	2	PLATE, Lift Sector	
69	7034326		EXTENSION, Idler Arm	
70	7091501		SCREW, 3/8-16 x 2-1/2" Cap Grade 5	
71	7023954		PULLEY, Flat Idler, 3 47" O.D	
72	7033556	2	GUIDE, Pulley	
73	7091320		WASHER, 3/8" Split Lock	

Footnotes:

Frame, Clutch, Brake & Steering Components

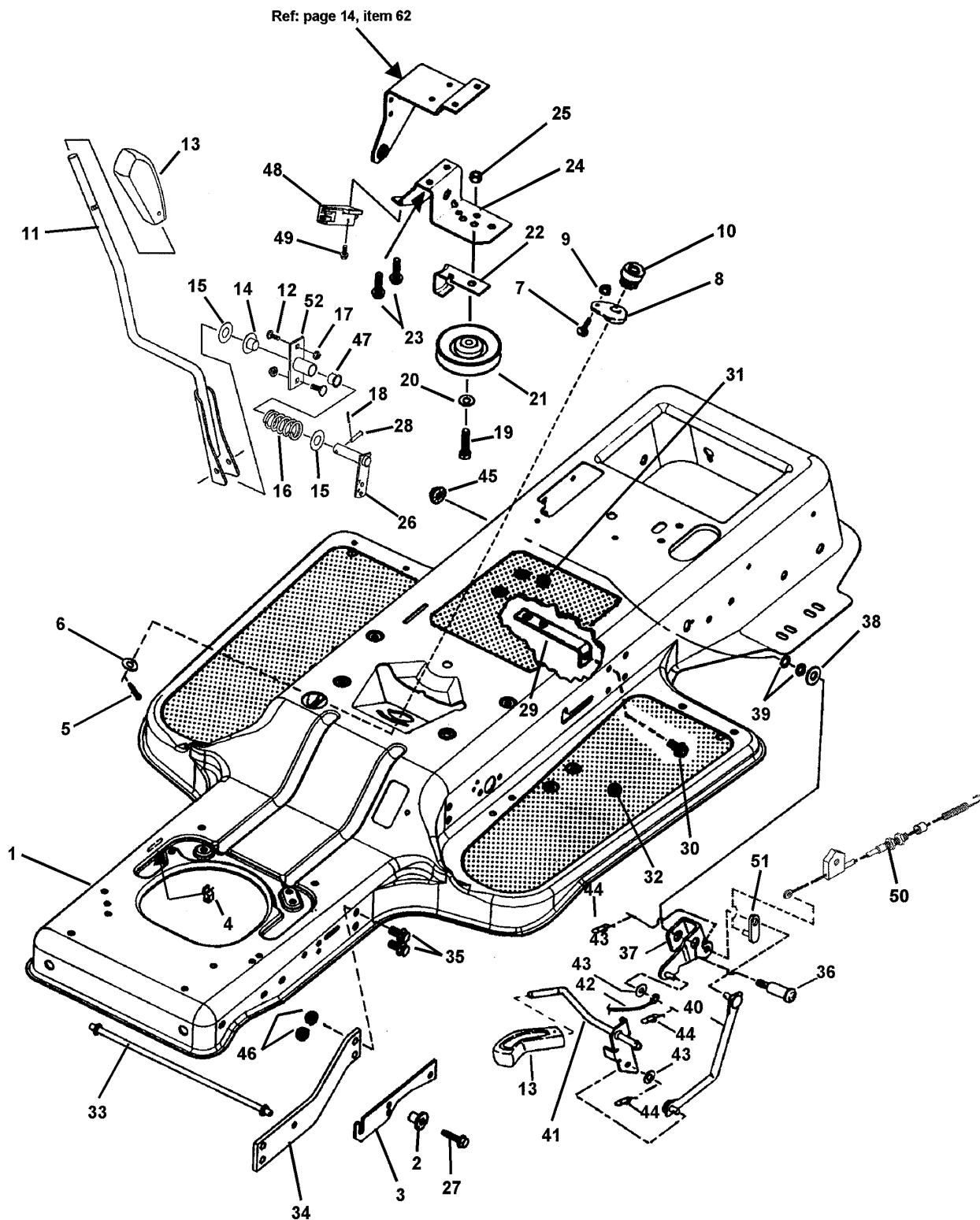


Frame, Clutch, Brake & Steering Components

Item	Part No	Qty	Description	Note
74	7047072		BRACKET, Frame Brace	
75	7090731	2	BOLT, 5/16-18 x 5/8" Short Neck Carriage, Grade 5	
76	7091541	2	SCREW, 5/16-18 x 3/4" Self-Tap	Was 90368
77	7091593		COTTER PIN, 1/16 x 1-7/32" Self Lock	Was 24159
78	7072598		BRACKET, Mounting Brace	
79	7090316	2	BOLT, 5/16-18 x 3/4" Carriage	Was 91097
80	7091497		SCREW, 3/8-16 x 1-1/2" Cap, Grade 5	
81	7024344		PULLEY, Idler V 3.30	
82	7091585		NUT, 3/8-16 Hex Center Lock	
83	7027139		LINKAGE	
84	7073608		FOOD, Shift Linkage	
85	7091540		SCREW, 5/16-18 x 1-1/2" Cap	Was 91066
86	7029973		SPACER	
87	7091575		NUT, 5/16-18 Hex Center Lock	
88	7024604		BOLT, 12-13X3-7/8" Shoulder	

Footnotes:

Blade Engagement & Transmission Controls

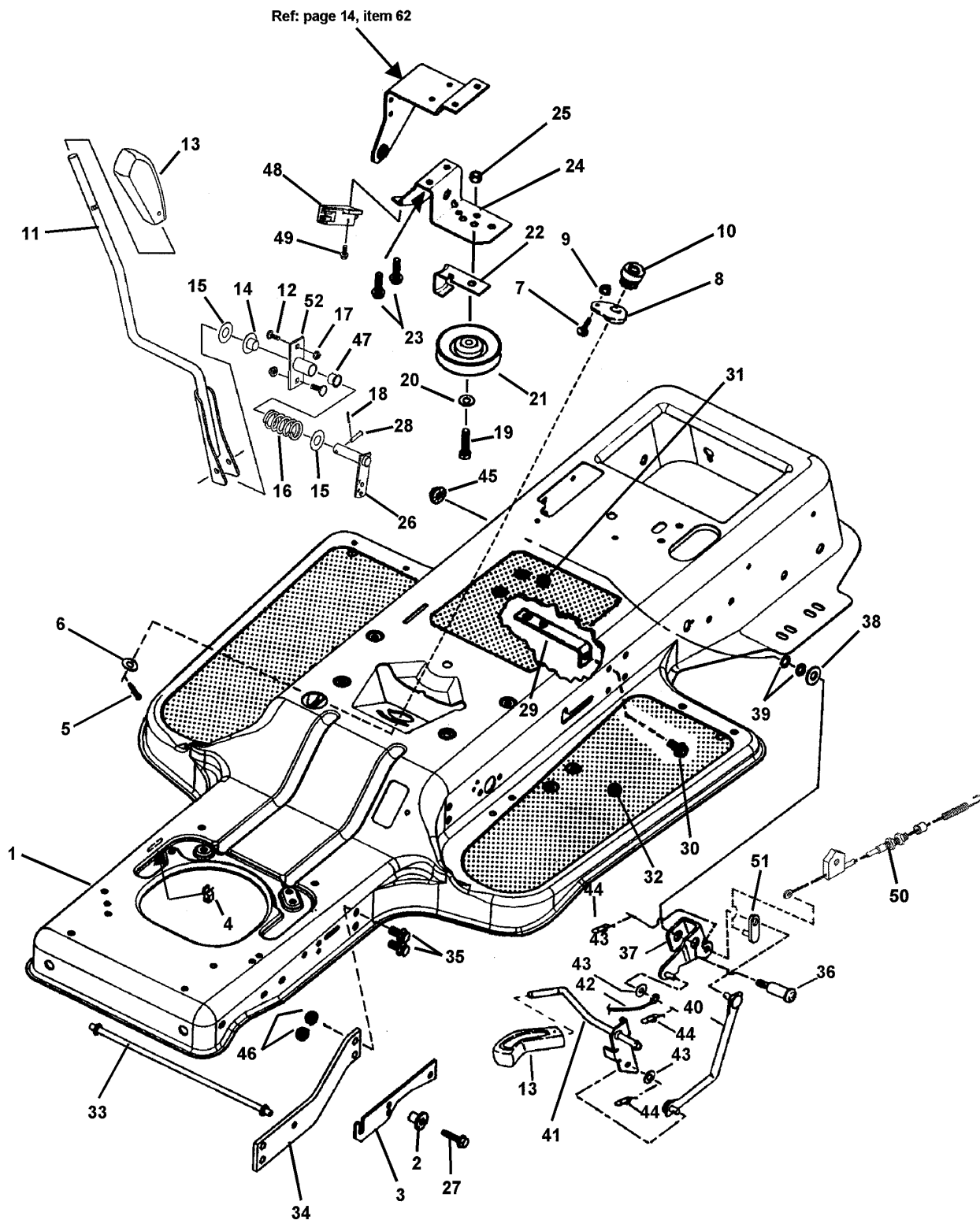


Blade Engagement & Transmission Controls

Item	Part No	Qty	Description	Note
1	7073345		FRAME, Tractor (1 Piece)	
2	7024616	2	BUSHING, Flange	
3	7033488		BRACKET, Hood Pivot	
4	7028630		CLIP, Wire	
5	7091598		PIN, 1/8 x 3/4" Cotter	
6	7014296		WASHER, 1/2 Shim	
7	7091573		BOLT, 1/4-20 x 5/8" Short Neck Carriage, Grade 5	
8	7052562		ASSEMBLY, Steering Adjuster	
9	7091584		NUT, 1/4-20 Hex Flange Lock, Grade 5	
10	7022368		GEAR, Steering Pinion	
11	7058874		LEVER, Shift (Upper)	
12	7091508	2	BOLT, 5/16-18 x 3/4" Carriage	
13	7023656	2	KNOB, Deck Lift Lever	
14	7019245		BUSHING, 3/4 Flange	
15	7031036		WASHER, Thrust	
16	7010754		SPRING, Shift Detent	
17	7091601	2	NUT, 5/16-18 Flange Lock	
18	7091597		PIN, 3/32 x 3/4" Cotter	Was 90037
19	7091497		SCREW, 3/8-16 x 1-1/2" Hex Head Cap, Grade 5	
20	7090122		WASHER, 3/8" Flat	Was 91514
21	7024344		PULLEY, Idler	
22	7033556		GUIDE, Pulley Belt	
23	7091524	3	SCREW, 5/16-18 x 1-1/4" Swage	
24	7035524		SUPPORT, PTO Lever	
25	7091585	2	NUT, 3/8-16 Hex Center Lock, Grade 5	
26	7040598		STRUCTURE, Arm	
27	7091524	4	SCREW, 5/16-18 x 1-1/4" Self-Tapping	Was 91151
28	7023914		PIN, 1/4 x 1-5/8" Clevis	
29	7033825		ANCHOR, Blade Brake	
30	7091198		SCREW, 3/8-16 x 5/8" Hex Washer Self-Tap	
31	7072756		DECAL, Instruction Frame Top	
	7072754		DECAL, Instruction Frame Top (Euro)	
32	7028203	2	PAD, Foot (Rubber Deluxe)	
33	7046900		GUIDE, Belt	
34	7046899	2	BRACE, Frame	
35	7091588	8	BOLT, 3/8-16 x 3/4" Hex Flange Lock	Was 90612
36	7024518		BOLT, 1/2-13 Shoulder	

Footnotes:

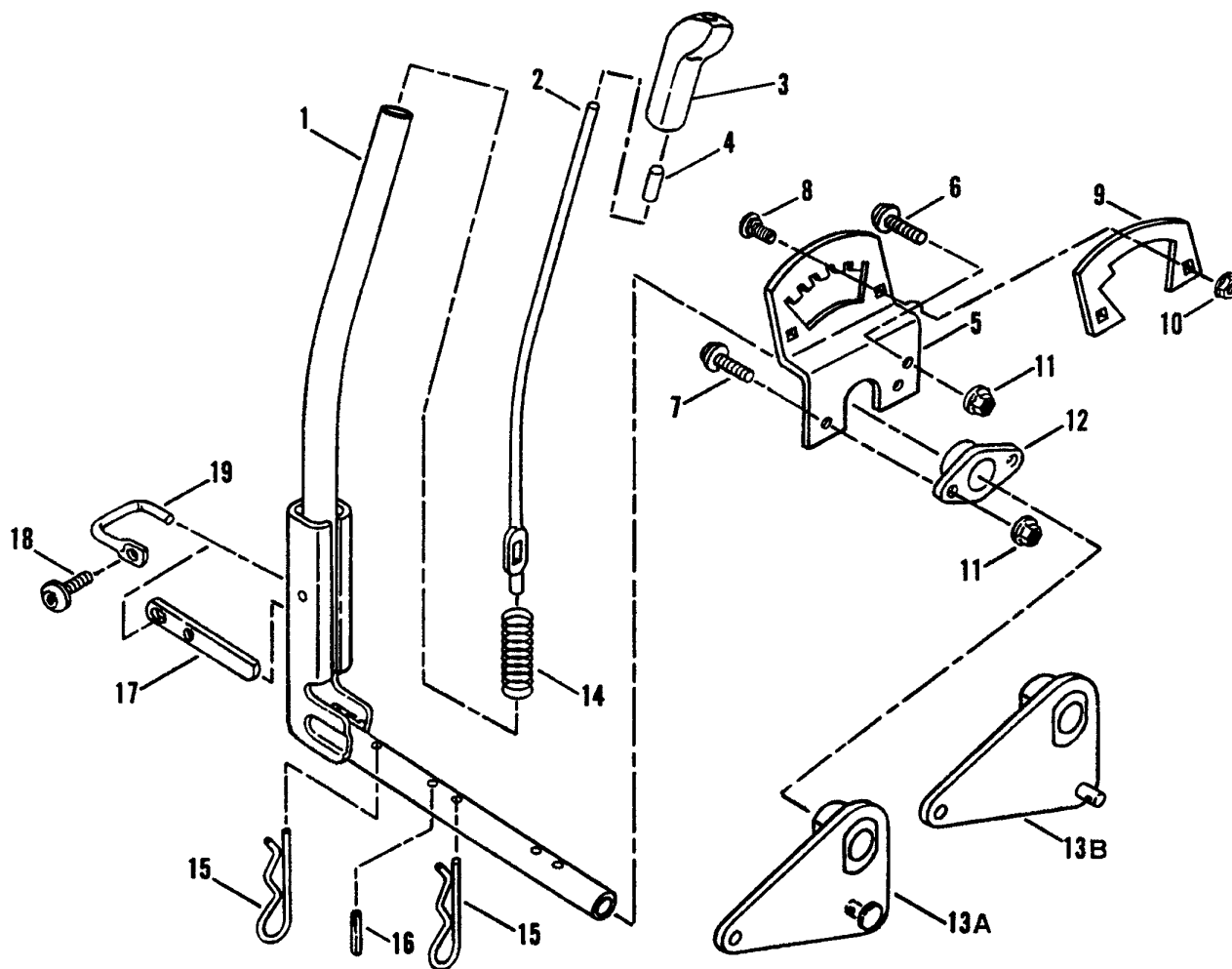
Blade Engagement & Transmission Controls



Blade Engagement & Transmission Controls

Item	Part No	Qty	Description	Note
37	7041238		WELDMENT, Bellcrank PTO	
38	7031036		WASHER, Thrust	
39	7090509	2	WASHER, 1/2" Internal Tooth Lock	
40	7041237		WELDMENT, PTO Link	
41	7042598		WELDMENT, PTO Lever	
42	7029152		CABLE, 33 Blade (33" Deck)	
	7046896		CABLE, PTO (38" Deck)	
43	7090500	3	WASHER, 7/16" Flat	
44	7091593	3	COTTER PIN, 3/8 Self-Lock	<i>Was 24159</i>
45	7090619		NUT, 1/2-13 Hex Flange Lock, Grade 5	
46	7091619	8	NUT, 3/8-16 Hex Flange Lock	<i>Was 90613</i>
47	7019246		BUSHING, 3/4 Flange	
48	7023355		SWITCH, DPDT NC/NO	
49	7091240	2	SCREW, #10-32 x 5/8" Self-Tap.	
50	7075366		ASSEMBLY, Cable	<i>Was 73222</i>
51	7058749		WELDMENT, Bracket	
52	7058876		WELDMENT, Pivot Plate	

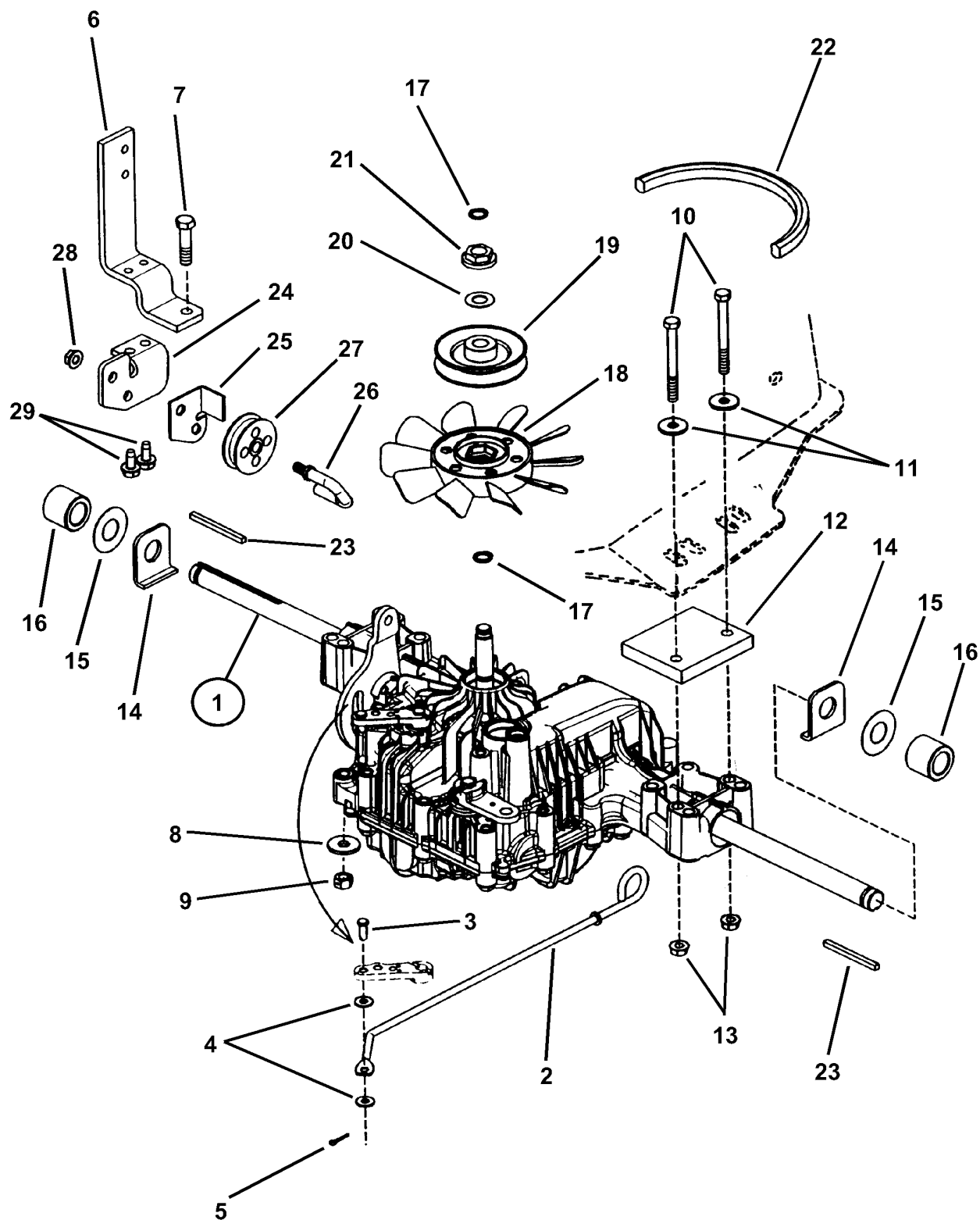
Footnotes:



Implement Lift Parts

Item	Part No	Qty	Description	Note
1	7041655		LEVER, Implement Lift (33" Decks)	
	7041015		LEVER, Implement Lift (38" Decks)	
2	7022565		ROD, Lift Lever	
3	7019363		KNOB, Lift Lever	
4	7014361		CAP, Lift Lever Rod	
5	7033449		QUADRANT, Lift Lever	
6	7091001		SCREW, 5/16-18 x 5/8" Truss Head (Torx)	
7	7091000	2	SCREW, 5/16-18 x 7/8" Truss Head (Torx)	
8	7091604	2	BOLT, 1/4-20 x 1/2" Short Neck Carriage, Grade 5	Was 90005
9	7034559		DETENT, High Cut Lockout	(Euro Models Only!)
10	7091584	2	NUT, 1/4-20 Hex Flange Lock, Grade 5	Was 90583
11	7091601	2	NUT, 5/16-18 Hex Flange Lock, Grade 5	Was 90585
12	7022567		PIVOT, Lift Lever	
13A	7041254		BELL CRANK, Lift Lever (33" Decks)	
13B	7041255		BELL CRANK, Lift Lever (38" Decks)	
14	7022566		SPRING	
15	7091596	2	PIN, Hair, 5/32 x 2 5/8"	Was 13844
16	7022895		PIN, Dowel, 1/4 x 1 1/8"	
17	7022568		DETENT, Latch	
18	7090999		SCREW, 1/4-20 x 5/8" Truss Head (Torx)	
19	7024742		LATCH, Pivot	

Footnotes:

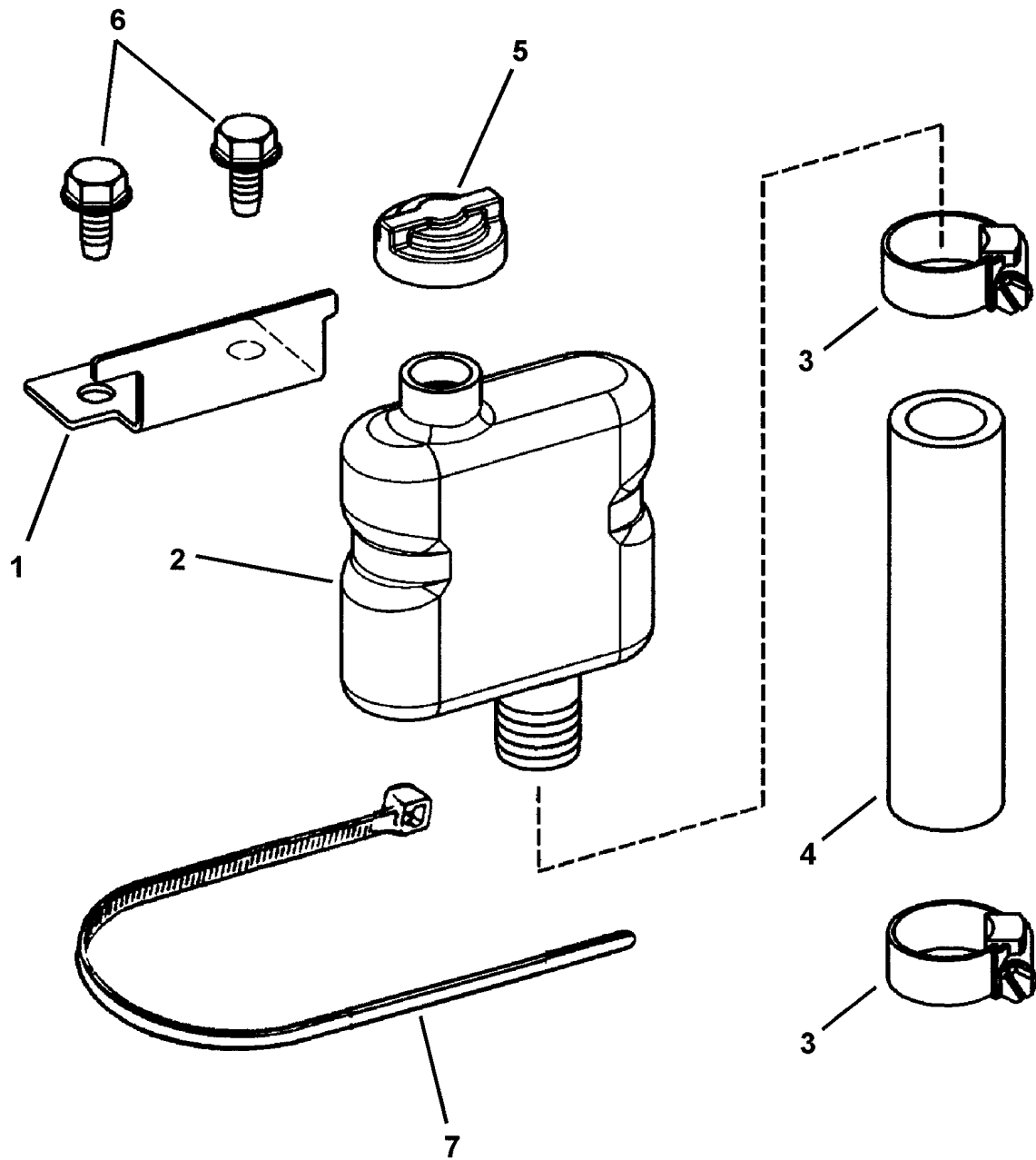


Transmission Group (Hydro Drive)

Item	Part No	Qty	Description	Note
1	7074398		ASSEMBLY, Transaxle, Tuff Torq	Was 73684
2	7072387		ROD, Roll Release (K46)	
3	7091708		PIN, Clevis 1/4" x 5/8"	
4	7091294	2	WASHER, 1/4 x 5/8 x 1/16" Flat	Was 90055
5	7091597		PIN, 3/32" x 1/2" Cotter	Was 90555
6	7072601		BRACKET, Torque	
7	7091497		SCREW, 3/8-16 x 1-1/2" Hex Head Cap, Grade 5	
8	7090188		WASHER, 5/16 x 11/16 x 1/16", Grade 5	Was 91296
9	7091585		NUT, 3/8-16 Hex Center Lock	
10	7091830	4	SCREW, 5/16-18 x 3-1/4" Hex Head Cap, Grade 5	
11	7091675	4	WASHER, 5/16" Flat	
12	7073613		SPACER, Hydro Axle- K46	
13	7091601	4	NUT, 5/16-18 Hex Flange Lock Grade 5	
14	7072884	2	WASHER, Axle	
15	7031036	2	WASHER, Thrust	
16	7072385	2	SPACER, Axle	
17	7073757	2	RING, E 15 (Vendor # 192154-89090)	
18	7073753		FAN (Vendor # 1A640-83050)	
19	7073800		PULLEY, 4" Diameter (Vendor # 1A6460-25333)	
20	7073754		WASHER, Wave (Vendor # 1A6460-83060)	
21	7073747		SPACER (Vendor # 1A6460-25300)	
22	7072657		BELT, Traction Drive (HA Section, 97.881 Effective Length) (MY 2000)	
	7073834		BELT, Traction Drive (HA Section, 95.60 Effective Length) (MY 2001)	
23	7072386	2	KEY, 3/16" Square x 2-3/16" long	
24	7072607		BRACKET, Spool	
25	7034399		GUIDE, Cable	
26	7029600		ROD, Spool Pivot	
27	7023182		SPOOL	
28	7091601		NUT, 5/16-18 Hex Flange Lock, Grade 5	Was 90585
29	7090361	2	SCREW, 5/16-18 x 5/8" Hex Washer Self-Tap	

Footnotes:

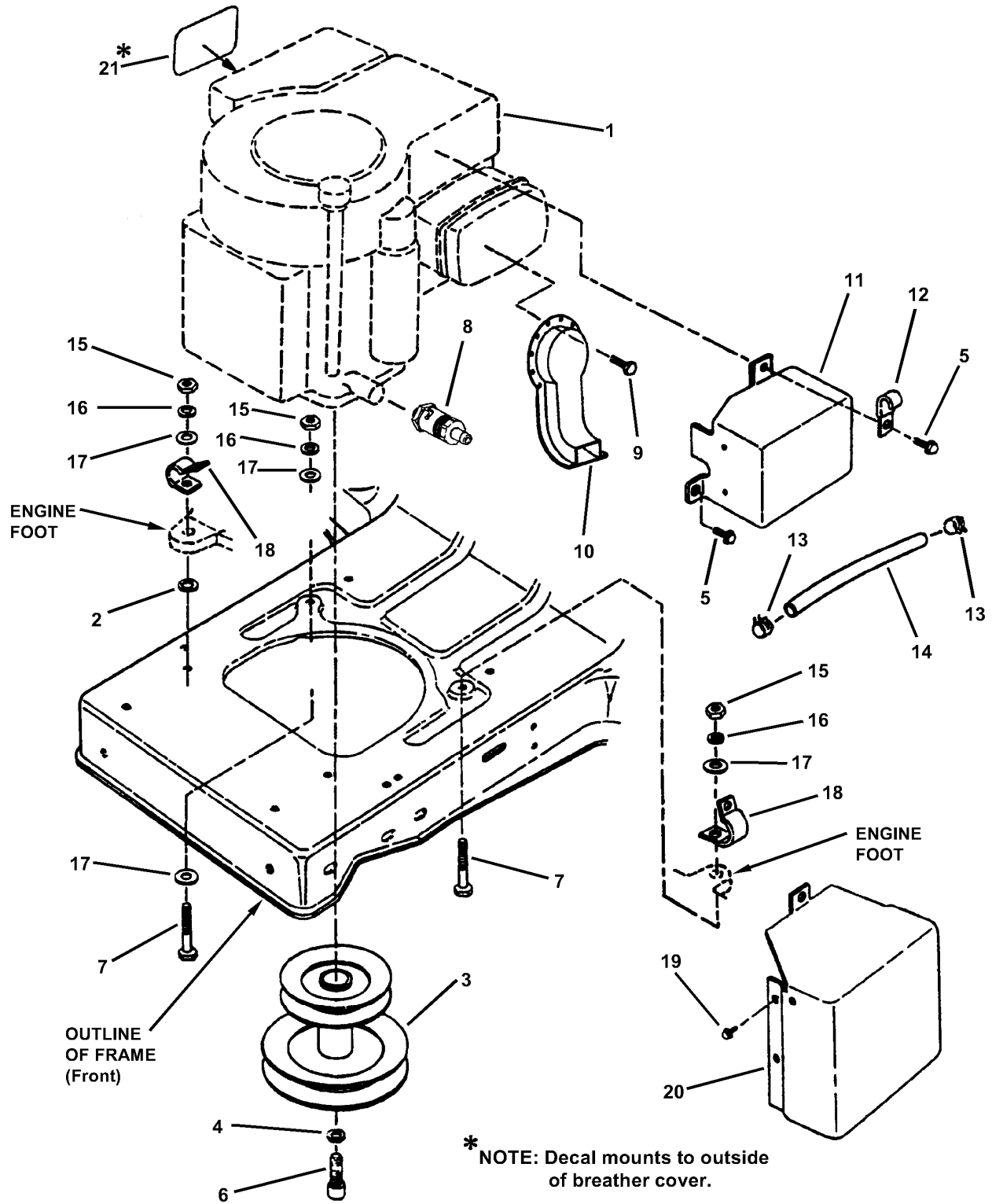
Hydro Reservoir Assembly



Hydro Reservoir Assembly

Item	Part No	Qty	Description	Note
1	7072739		BRACKET, Reservoir Mounting	
2	7072736		RESERVOIR, Expansion	
3	7016130	2	CLAMP, 13/16"	
4	7072901		HOSE, Hydraulic 4-1/2" Long	
5	7091431		VALVE, Vent	
6	7090858	2	BOLT, 5/16-18 x 1/2" Hex Washer Self-Tap	
7	7072914		CABLE TIE, 9"	

Footnotes:



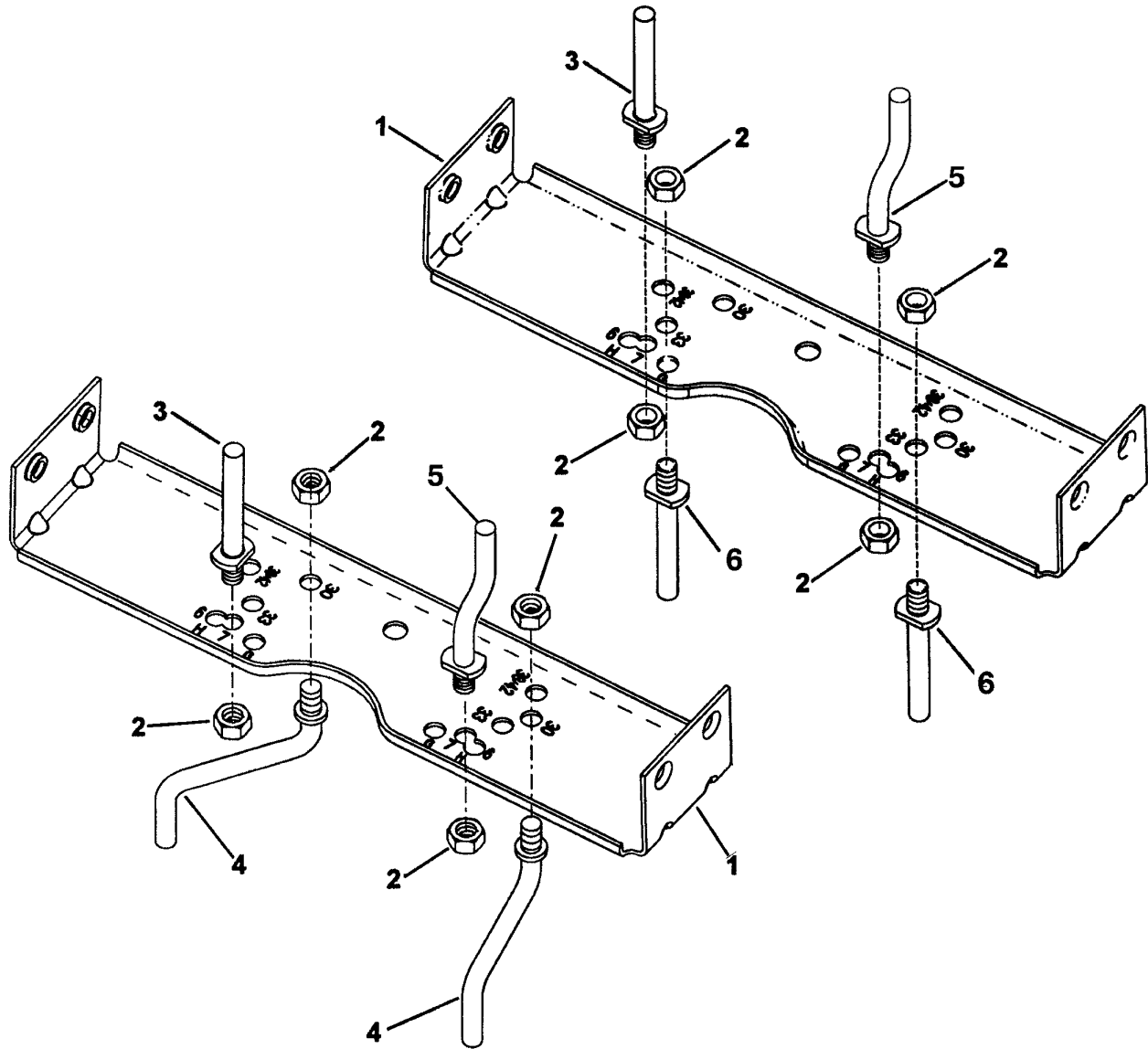
Engine Components

Item	Part No	Qty	Description	Note
1			* ENGINE, B & S 14.5 HP, Model 287707-1250-E1 * ENGINE, Kohler 15.0 HP, Model CV15S, PS-41603	
2	7090391		WASHER, 5/16 Internal Tooth Lock	
3	7072905		ASSEMBLY, Engine Pulley (LT145H33GBV & ELT145H33GBV)	
	7073804		ASSEMBLY, Engine Pulley (LT145H38GBV & LT150H38GBV)	Was 72904
4	7091301		WASHER, 7/16 Split Lock	
5	7091579	3	BOLT, 1/4-20 x 1/2" Hex Flange Lock, Grade 5	
6	7091531		SCREW, 7/16-20 x 1" Socket Head Cap	
7	7090669	2	SCREW, 5/16-18 x 1-3/4" Hex Head Cap, Grade 5	
8	7027972		ASSEMBLY, Oil Valve	
9	7091581	3	SCREW, #8-18 x 1/2" Hex Head, Self-Tapping	
10	7041537		EXTENSION, Muffler	
11	7041269		HEAT SHIELD, Muffler	
12	7026482		CLIP, "J" Type	
13	7029900	2	CLAMP, Fuel Line	
14	7029982		LINE, Fuel, 14" Long	
15	7091511	4	NUT, 5/16-18 Hex, Grade 5	
16	7091315	4	WASHER, 5/16 Split Lock	
17	7090188	5	WASHER, 5/16 Flat	Was 91296
18	7015861	2	CLIP, Wiring Harness	
19	7091075	4	SCREW, #10-24 x 5/8" Self-Tapping	
20	7041677		HEAT SHIELD, Muffler (European Models)	
21	7073231		DECAL, Warning Speed Setting	

Footnotes:

NOTE: * PURCHASE ENGINE & ENGINE PARTS OTHER THAN LISTED, FROM ENGINE SERVICE OUTLETS.

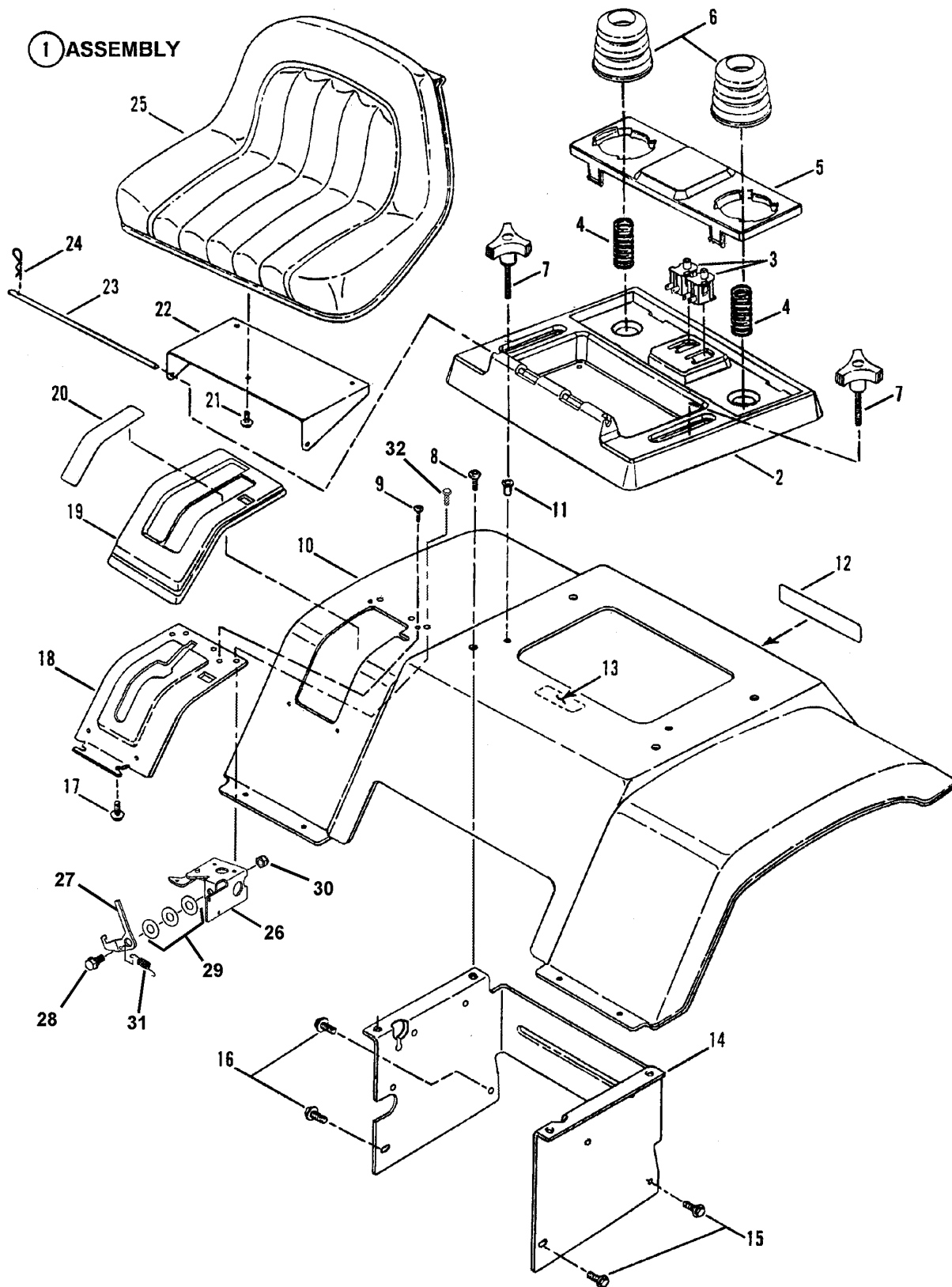
Belt Guide Assembly



Belt Guide Assembly

Item	Part No	Qty	Description	Note
1	7035963		BRACKET, Belt Guide	
2	7091575	4	NUT, 5/16-18 Hex Center Lock, Grade B or 5	
3	7028303	2 or 4	STUD, Belt Guide	
4	7035528	2	STUD, Belt Guide 38" Dual Brake Deck	
5	7072924		STUD, Belt Guide	
6	7028304	2	STUD, Belt Guide 33" Deck	

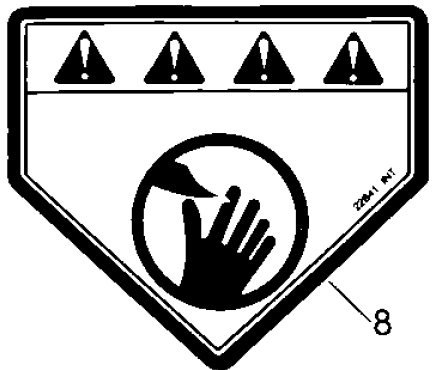
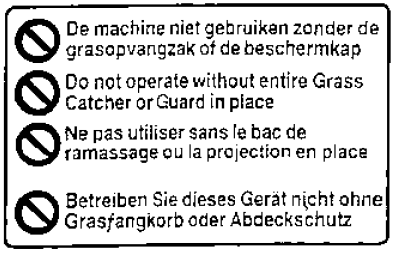
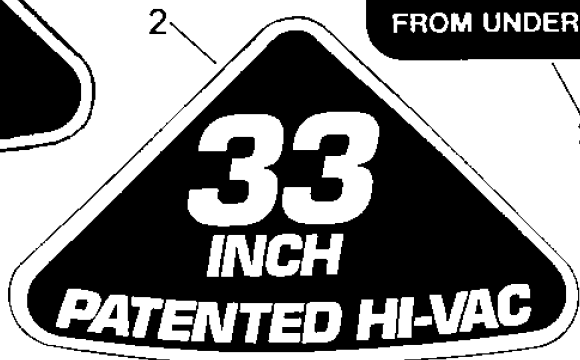
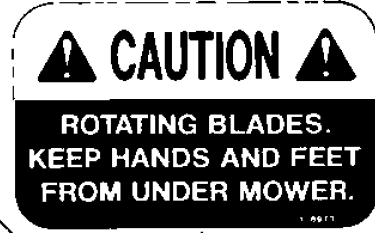
Footnotes:



Seat, Rear Fender & Components

Item	Part No	Qty	Description	Note
1	7059215		ASSEMBLY, Seat Support	Was 53761 (Includes 2, 3, 4 & 5)
2	7074204		SUPPORT, Seat	Was 28579
3	7023354		SWITCH, Seat, Gray, NC	
4	7073266	2	SPRING	
5	7028580		HOLDER, Cushion	
6	7019109	2	CUSHION, Seat	
7	7017875	2	KNOB, Seat Adjustment	
8	7091001	4	SCREW, 5/16-18 x 5/8" Truss Head, Torx	
9	7091819	4	SCREW, 1/4-20 x 5/8" Hex Washer Head, Self-Tapping	Was 90362
10	7073346		PAN, Seat (Fender)	
11	7091761	2	RIV-NUT, 5/16-18 Round	
12	7022971		DECAL - SNAPPER, 7.28" Molded Logo, Silver Letters & Blue Stripe	
13	7026415		DECAL - CAUTION, Battery Location	
14	7073344		SUPPORT, Fender	
15	7091523	2	SCREW, 5/16-18 x 5/8" Hex Washer Head	
16	7091524	2	SCREW, 5/16-18 x 1-1/4" Hex Washer Head	
17	7091105	4	SCREW, #10-16 x 1/2" Hex Washer Head, Self-Tapping	
18	7073347		DETENT, Shift	(Hydro Drive Models)
19	7073408		COVER, Shift	
20	7073424		DECAL, Shift Cover, 5-Speed	Was 16576 (Hydro Drive Models)
21	7091525	3	BOLT, 5/16-18 x 1/2" Hex Flange Lock, Grade 5	
22	7033318		BRACKET, Seat Support	
23	7074452		ROD, Seat Hinge	Was 33435
24	7091503		PIN, 3/32 x 1-1/2" Hair	
25	7028621		SEAT, Operator's	
26	7058851		ASSEMBLY, Lockout Latch/Stop	
27	7073308		OVERRIDE, Latch	
28	7015761		BOLT, 5/16-18 x Shoulder	
29	7090953	3	WASHER, 5/16 Flat	
30	7091298		NUT, 5/16-18 Hex Top Lock	
31	7073223		SPRING	
32	7090913	2	SCREW, #10-24 x 1/2" Hex Washer Self-Tap (Torx)	Was 90307

Footnotes:



CLUTCH/BRAKE PEDAL
LIFT LEVER

PARKING BRAKE LATCH

WARNING

BEFORE MOWING:

- READ OPERATOR'S MANUAL AND OTHER INSTRUCTIONS FURNISHED WITH THIS MACHINE AND ATTACHMENTS.
- KNOW LOCATION AND FUNCTION OF ALL CONTROLS. PRACTICE WITH BLADE OFF TO LEARN CONTROLS AND CHECK THE PROPER OPERATION.
- MAKE SURE THAT SHIELDS, GUARDS, SWITCHES, AND OTHER SAFETY DEVICES ARE IN PROPER POSITION AND FUNCTIONAL.
- CLEAR MOWING AREA OF OBSTACLES AND OTHER OBJECTS THAT COULD CAUSE INJURY THROUGH THE BLADE.

PROTECT CHILDREN AND OTHER PEOPLE:

- DO NOT ALLOW CHILDREN, THE YOUNGEST OR ANYONE UNDER 16, TO OPERATE THIS MOWER. KEEP CHILDREN SAFELY AWAY FROM OPERATING AREA.
- KEEP NEARBY AND OTHER PEOPLE AWAY FROM OPERATING AREA. DO NOT ALLOW CHILDREN TO GET TOO CLOSE TO THE MOWER.
- RETURN TO CHILDREN AFTER MOWING.

PREVENT TIP OVER ACCIDENTS:

- DO NOT MOW ON SLOPES OR IN THE AREA WHERE STABILITY OR TRACTION IS IMPAIRED BY UNLEVEL GROUND OR OVERHEAD OBSTACLES WITH BLADE OFF.
- AVOID SHARP TURNS.

TO STOP MACHINE:
DEPRESS CLUTCH/BRAKE PEDAL

TO SET PARKING BRAKE:
DEPRESS CLUTCH/BRAKE PEDAL, RAISE PARKING LATCH AND HOLD UNTIL RELEASING PEDAL

TO ROLL MACHINE:
MOVE ROYL RELEASE LEVER (LOCATED UNDER FRAME AT REAR OF UNIT) TO THE RIGHT AND LOCK INTO PLACE

TO START ENGINE:
OPERATOR MUST BE IN SEAT, MOWER BLADE OFF, AND CLUTCH/BRAKE PEDAL DEPRESSED.

TO AVOID SERIOUS INJURY OR DEATH

TO SET CUTTING HEIGHT:
DEPRESS THUMB BUTTON ON LIFT LEVER. MOVE FORWARD TO LOWER. PULL BACK TO RAISE. RELEASE BUTTON.

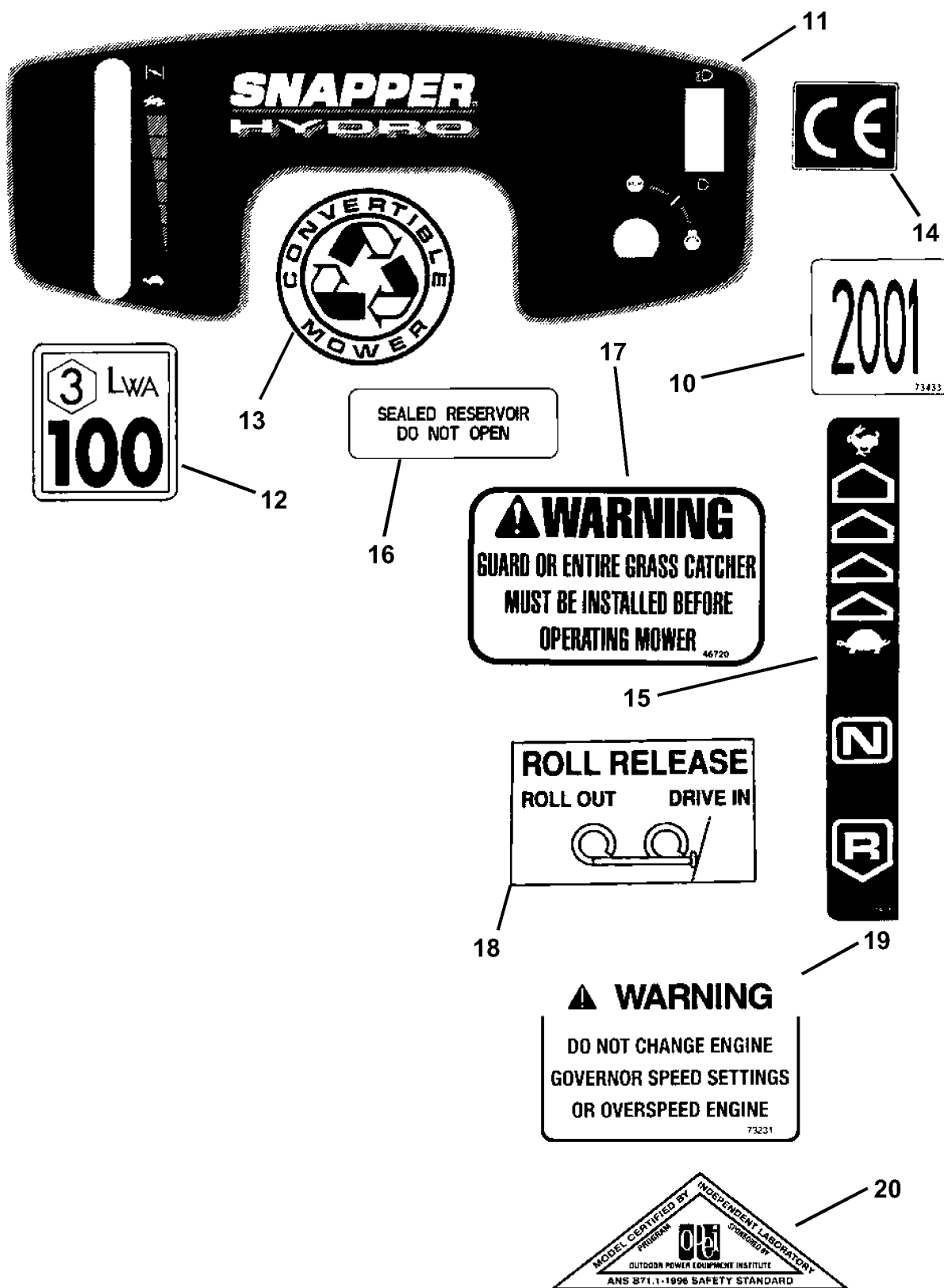
TO MOW PROPERLY:
INCREASE ENGINE SPEED AND OR DECREASE DRIVING SPEED TO UNTIL CUT IS SMOOTH AND ENGINE IS NOT UNDER HEAVY STRAIN

BLADE LEVER
LIFT TO ENGAGE
PRESS DOWN TO RELEASE

Decals (Part 1)

Item	Part No	Qty	Description	Note
1	7026154		DECAL, 38 Inch	
2	7022991		DECAL, 33 Inch Hi-Vac	
3	7014852		DECAL, Caution, Rotating Blades	Was 16973
4	7014852		DECAL, Caution, Rotating Blades	
5	7026415		DECAL, Caution, Battery Location	
6	7029784		DECAL, Deck/Chute International Warning	
7	7013010		DECAL, Danger, Cut-Finger	(Shown)
	7013010		DECAL, Danger, Cut-Finger (Heavy Adhesive Version)	Was 26831
8	7022841		DECAL, Cut-Finger (European Only)	
9	7072756		DECAL, Instructions, Frame, Top	
	7072758		DECAL (German Version of Above)	
	7072759		DECAL (French Version of Above)	
	7073207		DECAL (Spanish Version of Above)	
	7073208		DECAL (Italian Version of Above)	

Footnotes:

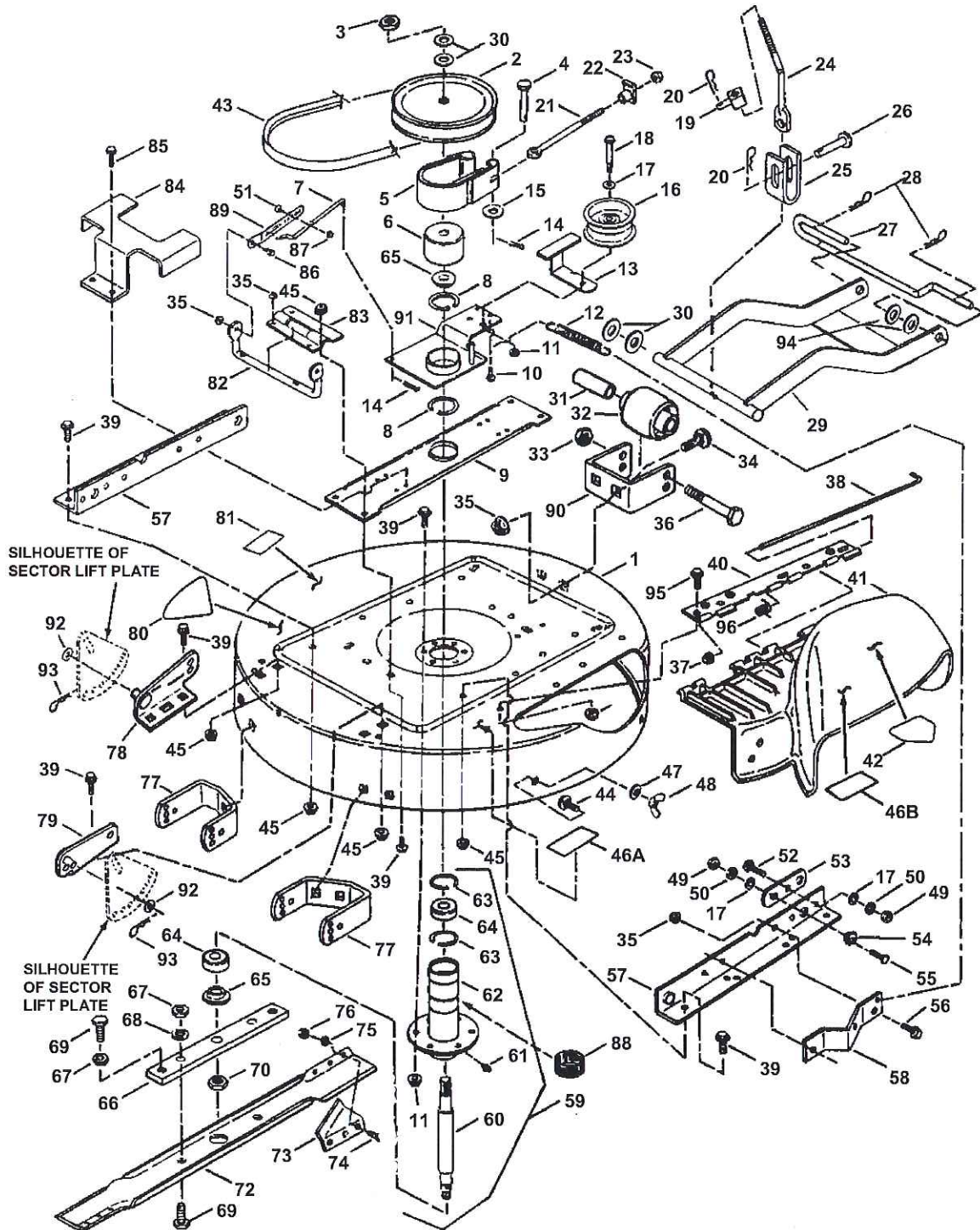


Decals (Part 2)

Item	Part No	Qty	Description	Note
10	7073433		DECAL, 2001 Year of Manufacture	
	7072820		DECAL, 2000 Yr. of Mfr.	<i>(Not shown)</i>
	7072404		DECAL, 1999 Yr. of Mfr.	<i>(Not shown)</i>
11	7028561		DECAL, Console, Basic	
	7073579		DECAL, Console (2001 Model Year)	
12	7023009		DECAL, Noise Control, Euro	
13	7026377		LOGO, Convert- Blue/Silver	<i>Was 71544</i>
14	7029776		DECAL, European Community	
15	7073424		DECAL, Shift Cover	<i>Was 16576</i>
16	7044767		DECAL, Hydro Reservoir	
17	7046720		DECAL, Chute/Deflector	
18	7072749		DECAL, Roll Release	
19	7073231		DECAL, Warning Speed Setting	
	7073255		DECAL (German Version of Above)	
	7073256		DECAL, Dutch Version of Above)	
	7073257		DECAL, (Spanish Version of Above)	
	7073258		DECAL (Italian Version of Above)	
	7073259		DECAL (French Version of Above)	
20	7073335		DECAL, OPEI	

Footnotes:

33" Cutting Deck, Belts, Brakes

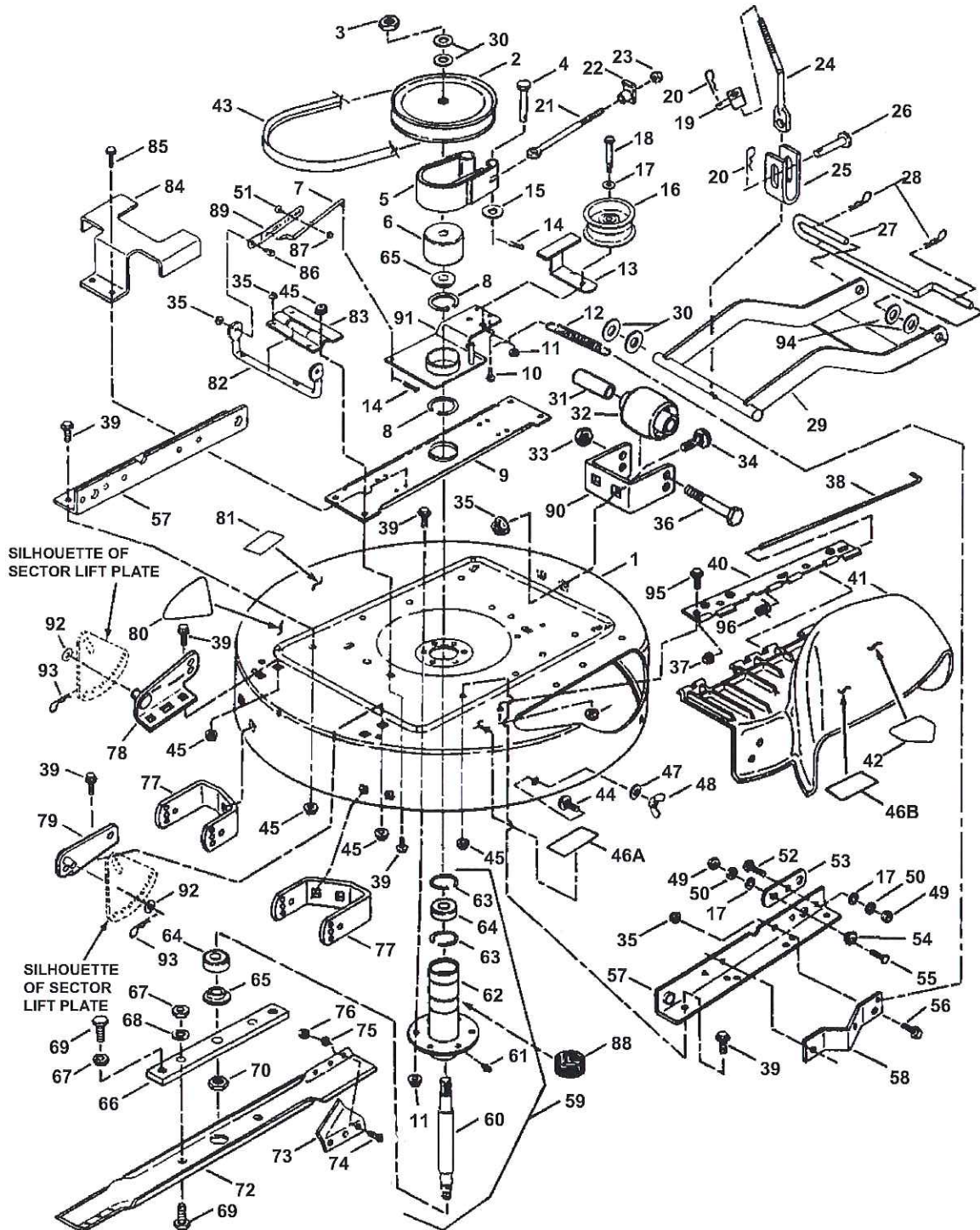


33" Cutting Deck, Belts, Brakes

Item	Part No	Qty	Description	Note
1	7061956		ASSEMBLY, Deck 33" Cutting	<i>Was 53690 or 53693 (Includes 46A & 81)</i>
2	7026558		PULLEY, Spindle, 7" O.D.	
3	7074467		NUT, 3/4-16 Hex Jam	<i>Was 10027</i>
4	7014304		PIN, 1/4 x 1-1/4" Clevis	
5	7052886		ASSEMBLY, Brake Band	
6	7032169		DRUM, Brake	
7	7024192		ROD, Link, Clutch/Brake	
8	7010740	2	RING, 2" External Retaining	
9	7038018		BRACE, Spindle	
10	7091541		SCREW, 5/16-18 x 3/4" Self-Tapping	<i>Was 90368</i>
11	7091585		NUT, 3/8-16 Hex Center Lock, Gr. 5	
12	7012264		SPRING, Clutch & Brake	
13	7075346		GUIDE, Belt	<i>Was 41487</i>
14	7091597	2	COTTER-PIN, 3/32 x 3/4"	<i>Was 90037</i>
15	7091294		WASHER, 1/4" I.D. x 5/8" O.D. Flat	<i>Was 90055</i>
16	7075707		PULLEY, Idler, 4" O.D.	<i>Was 27717</i>
17	7090122	3	WASHER, 3/8" Flat	
18	7091553		SCREW, 3/8-16 x 1-3/4" Cap	
19	7029694		SWIVEL, Brake	
20	7012431	2	PIN, 1/4 x 1-1/8" Hair	
21	7026677		BOLT, 1/4-20 Eye	
22	7014303		NUT, 1/4-20 Tee	
23	7091576		NUT, 1/4-20 Hex, Grade 5	<i>Was 90063</i>
24	7026639		ROD, Front Lift	
25	7033938		BRACKET, Front Lift Hanger	
26	7013460		PIN, 3/8 x 1-1/2" Clevis	
27	7027471		PIN, Front Deck Hanger	
28	7091596	2	HAIRPIN, 5/8"	
29	7041613		LIFT, Front Arm	
30	7032028	4	WASHER, 3/4" I.D. Flat	
31	7015272	3	SPACER	
32	7019190	3	WHEEL, Gage	
33	7090289	3	NUT, 3/8-24 Hex Center. Lock, Gr. 5	<i>Was 91600</i>
34	7090731	6	BOLT, 5/16-18 x 1/2" Carriage Gr. 5	<i>Was 90004</i>
35	7091601	9	NUT, 5/16-18 Hex Lock, Gr. 5	<i>Was 90585</i>

Footnotes:

33" Cutting Deck, Belts, Brakes

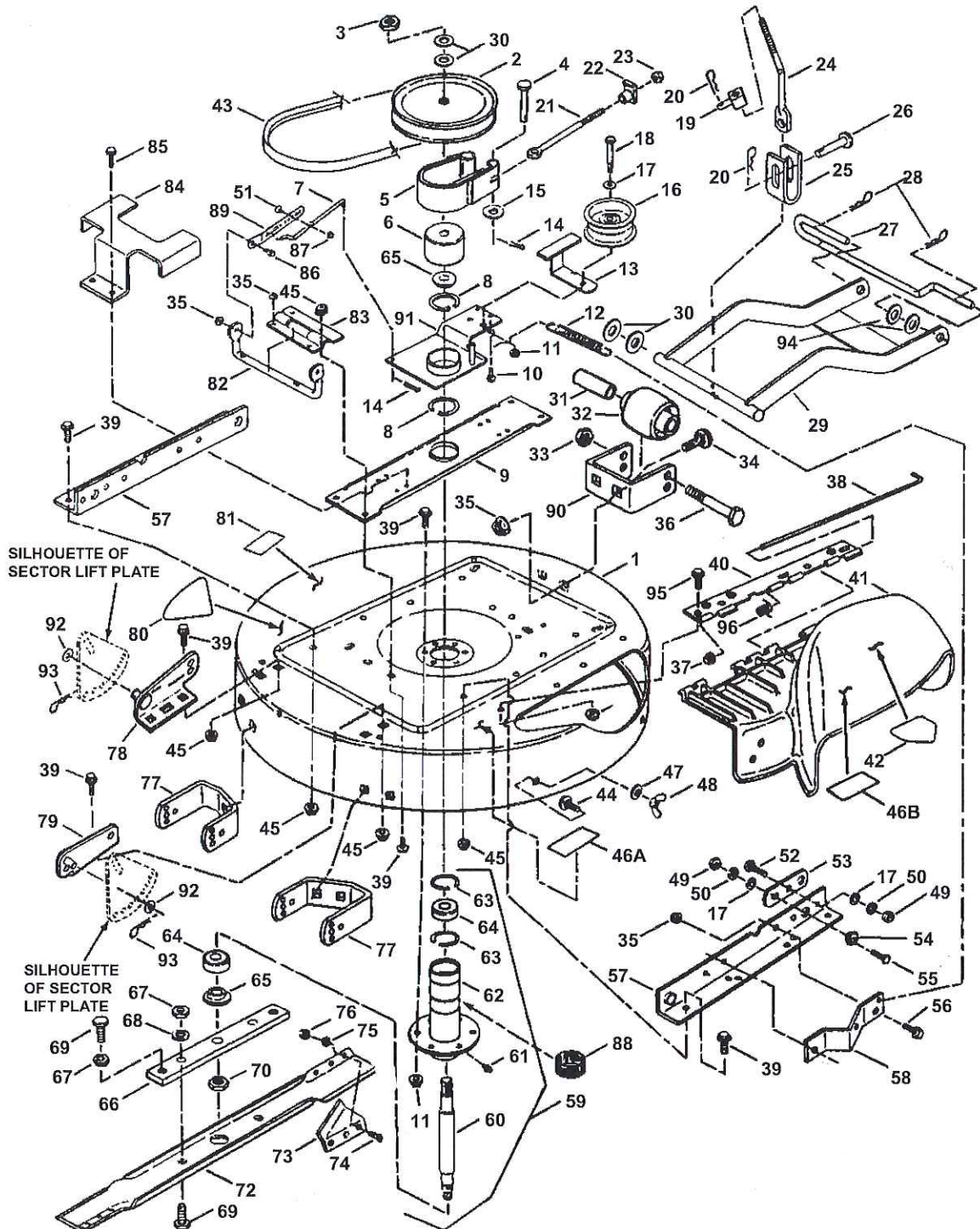


33" Cutting Deck, Belts, Brakes

Item	Part No	Qty	Description	Note
36	7091532 7052555	3	SCREW, 3/8-24 x 3-3/4" Cap, Gr. 5 ASSEMBLY, Deflector	(Includes items 37, 38, 40, 41, 42, 96)
37	7026483		PALNUT, 1/4 Hex	
38	7026234		PIN, Hinge	
39	7091588	15	BOLT, 3/8-16 x 3/4" Flange Lock, Gr. 5	Was 90612
40	7033780		HINGE, Deflector	
41	7026233		DEFLECTOR, Discharge	
42	7013010		DECAL, Danger (Cut Finger)	Was 26831
43	7075706		BELT, Drive, 33" Cutting Deck	Was 26546
44	7091508		BOLT, 5/16-18 x 3/4" Carriage Gr. 5	
45	7091619	18	NUT, 3/8-16 Hex Flange Lock	Was 90613
46A	7014852		DECAL - CAUTION, Deflector	
46B	7022841		DECAL - CAUTION, Deflector	
47	7090188	2	WASHER, 5/16 Flat	Was 91296
48	7091537 7091511		NUT, 5/16-18 Wing NUT, 5/16-18 Hex, Grade 5	Was 90492
49	7091302	2	NUT, 3/8-16 Hex, Grade 5	Was 90130
50	7090118	2	WASHER, 3/8 Split Lock	
51	7090584		BOLT, 1/4-20 x 1/2" Flange Lock. Gr. 5	
52	7091547		BOLT, 3/8-16 x 3/4" Carriage, Gr. 5	Was 90850
53	7032432		LINK, Adjustment	
54	7015012		ECCENTRIC, Leveling	
55	7091304		SCREW, 3/8-16 X 1" Hex Cap, Gr. 5	Was 90563
56	7090721	4	BOLT, 5/16-18 x 1/2" Flange Lock, Gr. 5	
57	7038453	2	RAIL, Side	
58	7033952		ANCHOR, Brake	
59	7052917		ASS'Y, Spindle	(Incl. 60 thru 70)
60	7024687		SPINDLE	
61	7010817		FITTING, Lube	
62	7052294		HOUSING, Spindle	(Incl. item 61)
63	7012491	2	RING, Retaining	
64	7013313	2	BEARING, Spindle	
65	7014407	2	WASHER, Spindle	
66	7037751		HOLDER, Blade	
67	7091939	4	NUT, 1/2-20 Hex Jam	
68	7090509	2	WASHER, 1/2 Int. Tooth Lock	
69	7090491	4	SCREW, 1/2-20 x 1-1/4" Cap Gr. 5	
70	7090356		NUT, 5/8-18 Hex Lock, Gr. B or 5	

Footnotes:

33" Cutting Deck, Belts, Brakes

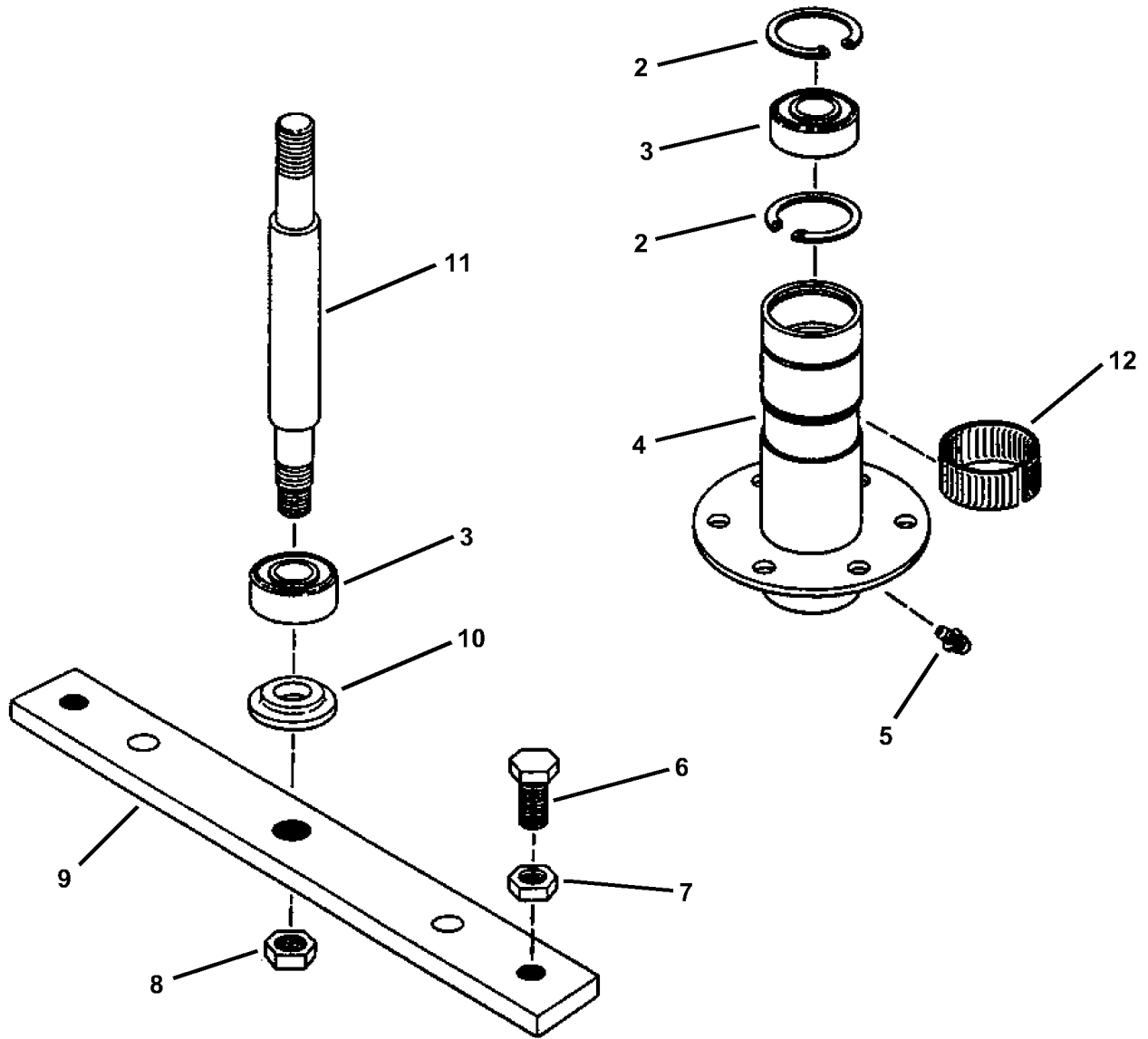


33" Cutting Deck, Belts, Brakes

Item	Part No	Qty	Description	Note
72	7019523		BLADE, 33" Cutting Deck Euro	
73	7037723	2	AIR-LIFT	
	7034468	2	AIR-LIFT (European)	
74	7090228	6	SCREW, 5/16-24 x 11/16" Machine	
75	7090391	6	WASHER, 5/16 Int. Tooth Lock	
76	7091297	6	NUT, 5/16-24 Hex, Grade 5	Was 90223
77	7033571	2	BRACKET, Gage Wheel (Rear)	
78	7042608		BRACKET, Rear Deck Lift, Left Side	
79	7042578		BRACKET, Rear Deck Lift, Right Side	
80	7022991		DECAL, 33" Hi-Vac	
81	7014852		DECAL - CAUTION (Rotating Blades)	Was 16973
82	7024183		ARM, Pivot	
83	7033578		BRACKET, Pivot Arm	
84	7033926		GUIDE, Belt	
85	7090361	2	SCREW, 5/16-18 x 5/8" Self-Tap.	
86	7015761		SCREW, 5/16-18 x 3/4" Shoulder	
87	7091584		NUT, 1/4-20 Hex Flange Lock, Gr. 5	Was 90583
88	7012670		RING, Tolerance	
89	7033586		BRACKET, Link, Clutch/Brake	
90	7033570		BRACKET, Gage Wheel (Front)	
91	7041311		ARM, Idler	
92	7090122	2	WASHER, 3/8" Flat	Was 91514
93	7091503	2	HAIRPIN, 3/8"	
94	7091587	2	WASHER, 1/2" I.D. Flat	
95	7091588	3	BOLT, 3/8-16 x 3/4" Flange Lock, Gr. 5	
96	7016341		SPRING, Hinge	
97	7034168		BLADE, 33" Cutting Deck	(Not shown)
98	7029152		CABLE, 33 Blade Hydro	(Not shown, Attaches to Item 82)

Footnotes:

Spindle - 33" Cutting Deck

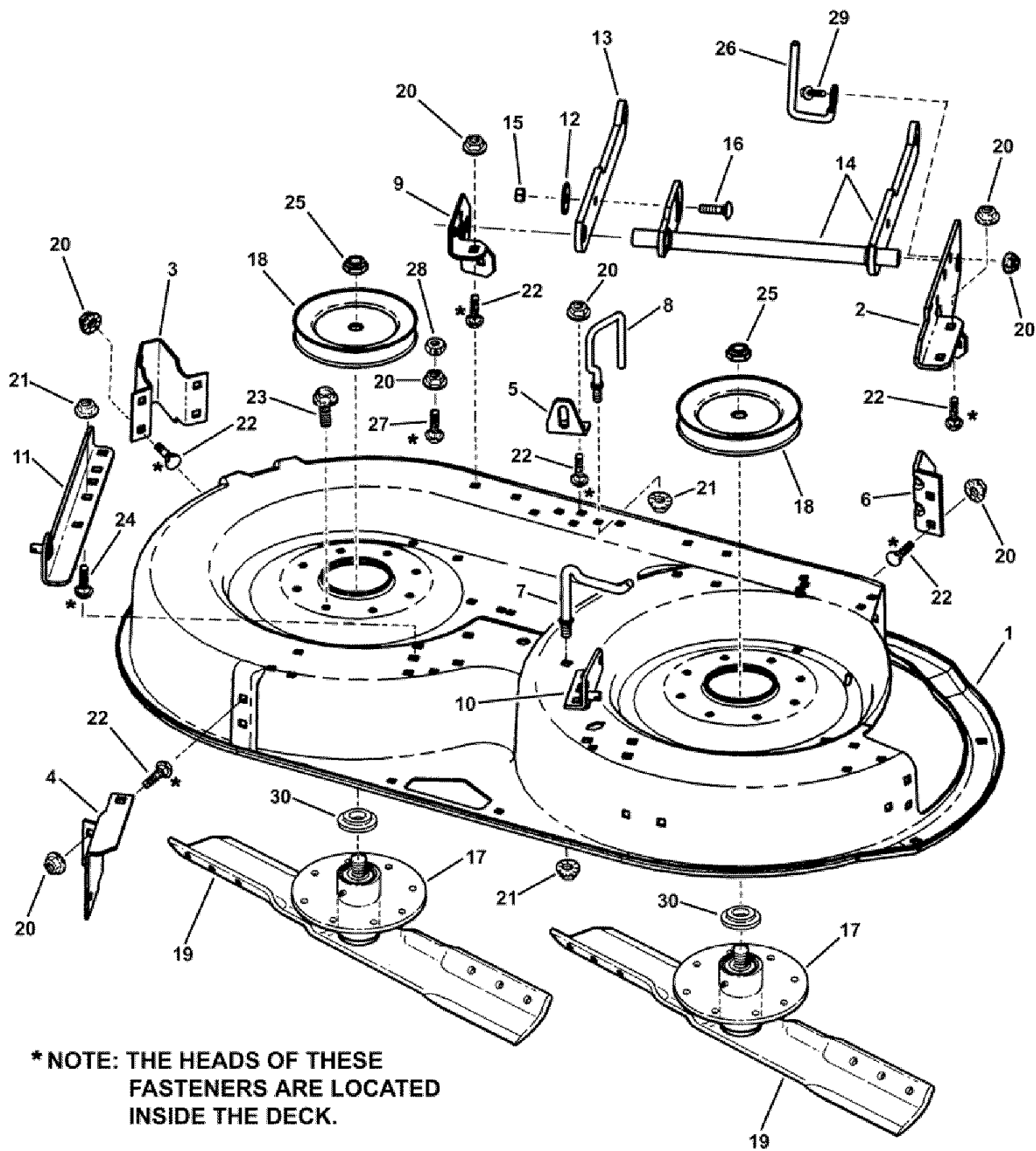


Spindle - 33" Cutting Deck

Item	Part No	Qty	Description	Note
	7052917		ASSEMBLY, Spindle Housing, 33" Cutting Deck (Not shown, includes items 2 thru 11)	
2	7012491	2	RING, Retaining	
3	7013313	2	BEARING, Spindle	
4	7052294		HOUSING, Spindle	(Includes item 5)
5	7010817		FITTING, Lube	
6	7090491	2	SCREW, 1/2-20 x 1-1/4" Hex Head Cap, Grade 5	
7	7091939	2	NUT, 1/2-20 Hex Jam	
8	7090356		NUT, 5/8-18 Hex Center Lock Jam	
9	7037751		HOLDER, Blade	
10	7014407		WASHER, Spindle	
11	7024687		SPINDLE (7.54" overall length)	
12	7012670		RING, Tolerance	

Footnotes:

38" Cutting Deck Assembly (Part 1)



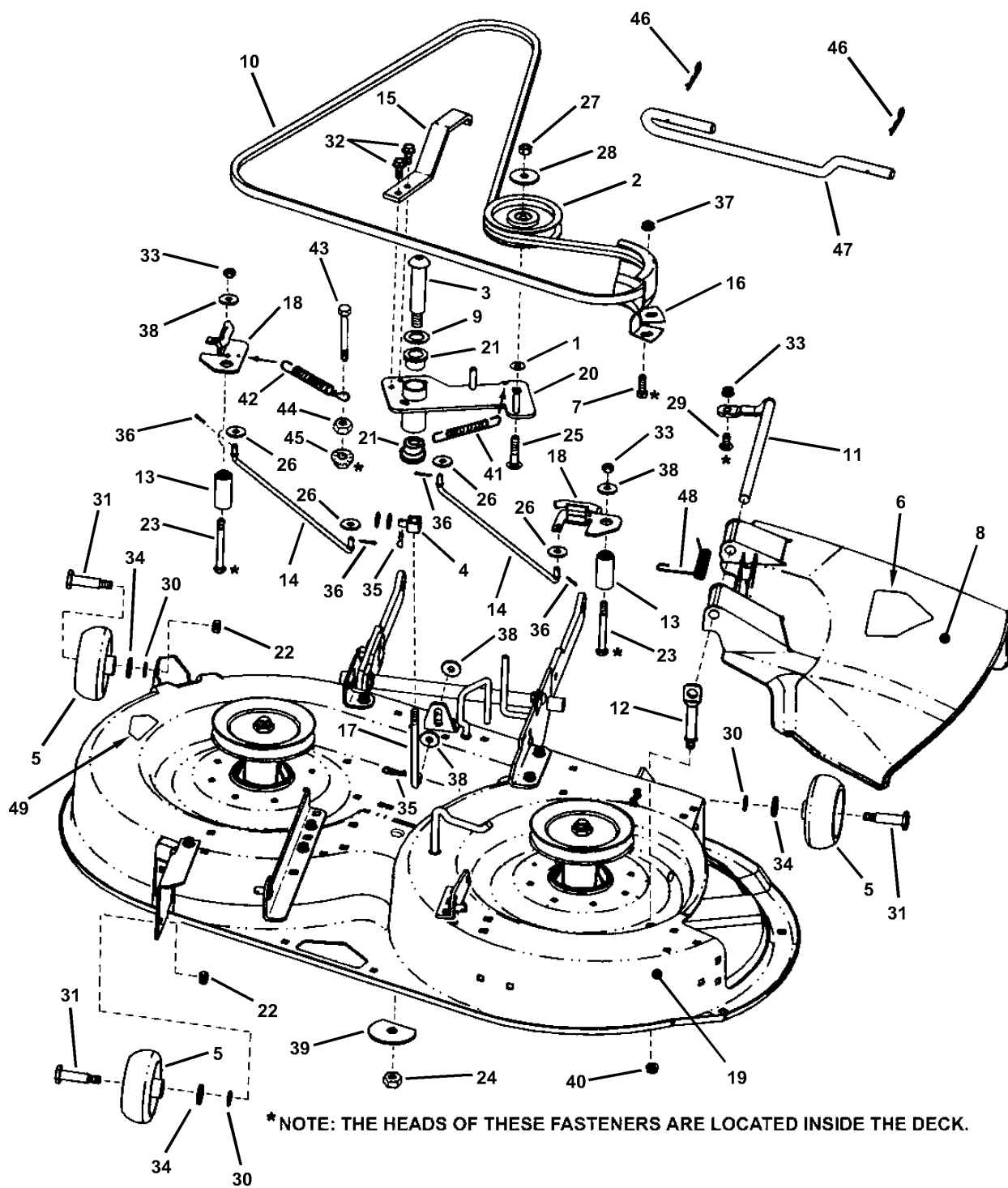
*** NOTE: THE HEADS OF THESE FASTENERS ARE LOCATED INSIDE THE DECK.**

38" Cutting Deck Assembly (Part 1)

Item	Part No	Qty	Description	Note
1	7061960		DECK, 38"	(Painted shell w/decals 14852, 16973 & 26154)
2	7028365	2	BRACKET, Front Linkage	
3	7033756		BRACKET, LH Front Gage Wheel	
4	7033891		BRACKET, LH Rear Wheel	
5	7034875		ANGLE, Front	
6	7035494		BRACKET, RH Front Gage Wheel	
7	7035505		CRADLE, Spring	
8	7035506		GUIDE, Belt Dual Spindle Brake	
9	7035577		BRACKET, Front Lift Arm - LS	
10	7042578		BRACKET, Sector Lift RH Rear	
11	7042606		BRACKET, Sector Lift LH Rear	
12	7012063		WASHER, Cone	
13	7035603		FRONT LIFT ARM, 38 Deck	
14	7042602		STRUCTURE, Front Lift Arm	
15	7091575		NUT, 5/16-18 Hex Center Lock	Was 90184
16	7091169	2	BOLT, 5/16-18 x 1-1/8" Short Square Neck Carriage, Grade 5	
17	7063198	2	ASSEMBLY, 38 Spindle	Was 58357
18	7027792	2	PULLEY, Spindle	
19	7042998		BLADE, 38 Cutting Deck	
20	7091601	19	NUT, 5/16-18 Flange Lock, Grade 5	Was 90585
21	7091619	6	NUT, 3/8-16 Hex Flange Lock	Was 90613
22	7090799	14	BOLT, 5/16-18 x 5/8" Short Square Neck Carriage, Grade 5	
23	7090815	6	BOLT, 3/8-16 x 3/4" Hex Washer Self Tap	
24	7091547	4	BOLT, 3/8-16 x 3/4" Short Square Neck Carriage, Grade 5	Was 90850
25	7091006	2	NUT, 5/8-18 Nyloc	
26	7036563		GUIDE, Belt Side Rail	
27	7091169		BOLT, 5/16-18 x 1-1/8", Square Neck Carriage, Grade 5	
28	7091575		NUT, 5/16-18 Hex Center lock, Grade 5	
29	7091541		SCREW, 5/16-18 x 3/4" Hex Washer Self-tapping	Was 90368
30	7072440	2	SPACER, Pulley, 38 Spindle	

Footnotes:

38" Cutting Deck Assembly (Part 2)

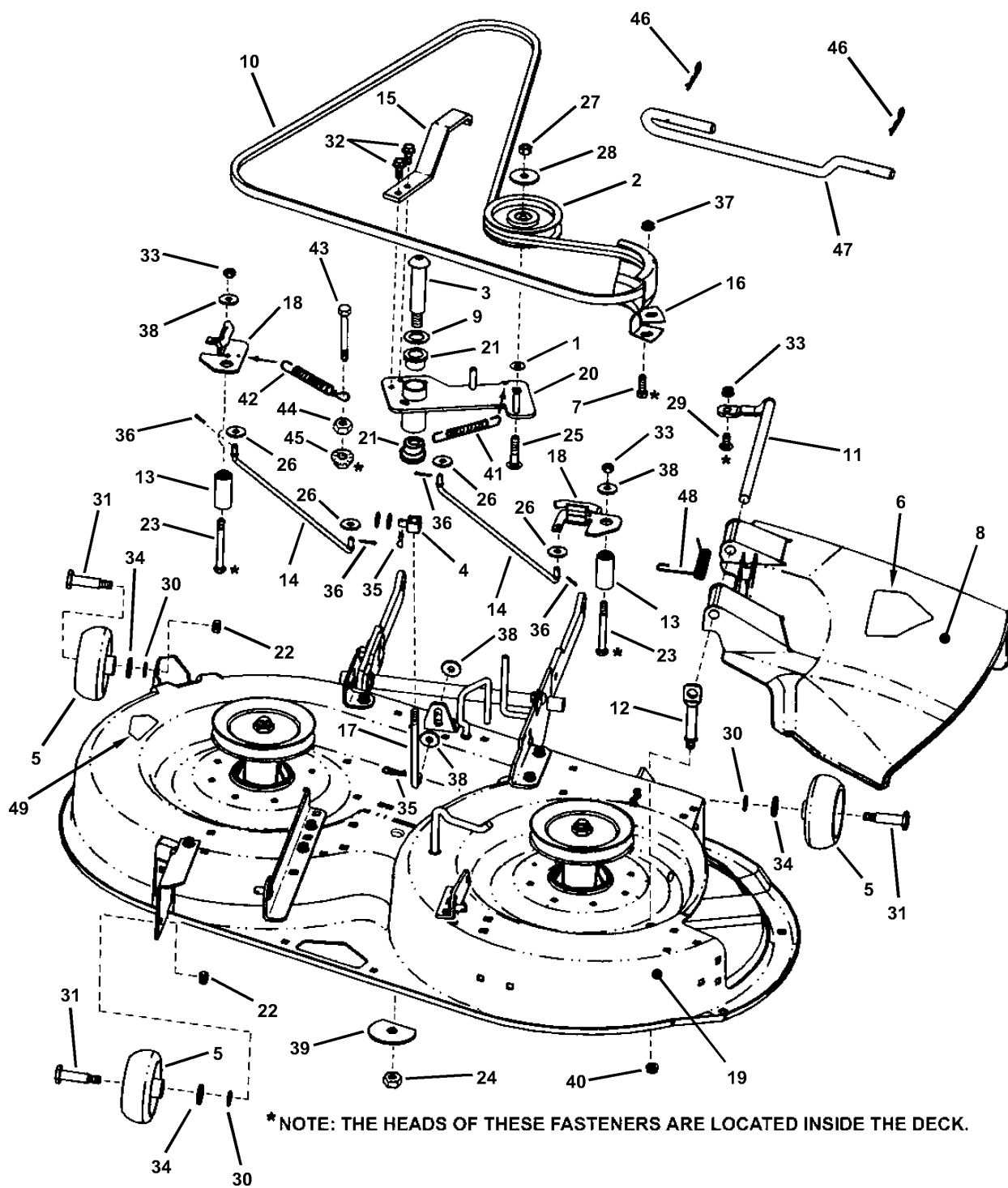


38" Cutting Deck Assembly (Part 2)

Item	Part No	Qty	Description	Note
1	7013847		RETAINER, 3/8" Bolt	
2	7018574		IDLER, 4-1/8" Flat	
3	7024604		BOLT, 3/4" Dia. X 3.01 Shoulder; 1/2-13 Thread	
4	7024607		SWIVEL, Brake Link	
5	7026122	3	WHEEL, Gage 38" Deck	
6	7013010		DECAL, CPSC Cut Finger	Was 26831
7	7027168	3	SCREW, 5/16-18 x 1" Hex Head Cap, Grade 5	
8	7029425		CHUTE, Discharge 38" Deck	
9	7029617		WASHER, 3/4" I.D. Flat	
10	7035500		BELT, 38" Deck Dual Spindle Brake	
11	7035502		ROD, Pivot, Side Discharge	
12	7035503		ROD, Mounting, Side Discharge	
13	7035507	2	PIVOT, Dual Brake	
14	7035510	2	BRAKE LINK, Dual Spindle Brake	
15	7035518		LEVER, Engagement	
16	7035529		GUARD, Belt, 38" Dual Spindle Brake	
17	7036586		J-BOLT, 3/8-16 x 6-1/4"	
18	7042595	2	ARM, Brake	
19	7054096		ASSEMBLY, 38" Dual Brake Deck	
20	7042596		ARM, Idler, Dual Brake	
21	7035496	2	BEARING, 3/4" I.D.	
22	7090289	3	NUT, 3/8-24 Hex Center Lock, Grade 5	
23	7091830	2	SCREW, 5/16-18 x 3" Hex Head Cap, Grade. 5	Was 90553
24	7090975		NUT, 1/2-13 Hex Center Lock	
25	7091810		BOLT, 3/8-16 x 1-3/4" Short Neck Carriage, Grade 5	Was 91158
26	7091294	4	WASHER, 1/4" I.D. Flat	
27	7091302		NUT, 3/8-16 Hex, Grade 5	
28	7091331		WASHER, 13/32" I.D. Flat	
29	7091508		BOLT, 5/16-18 x 3/4" Short Neck Carriage, Grade 5	
30	7090122	3	WASHER, 3/8" Flat	Was 91514
31	7091526	3	BOLT, 5/8" Dia. Shoulder, 3/8-24 Thread	
32	7091541	2	SCREW, 5/16-18 x 3/4" Self-Tapping	
33	7091575	3	NUT, 5/16-18 Hex Center Lock, Grade 5	
34	7091587	3	WASHER, 1/2" I.D. Flat	
35	7091310	2	PIN, #13 Hair	
36	7091597	4	PIN, 3/32 x 3/4" Cotter	
37	7091601	4	NUT, 5/16-18 Hex, Grade 5	

Footnotes:

38" Cutting Deck Assembly (Part 2)

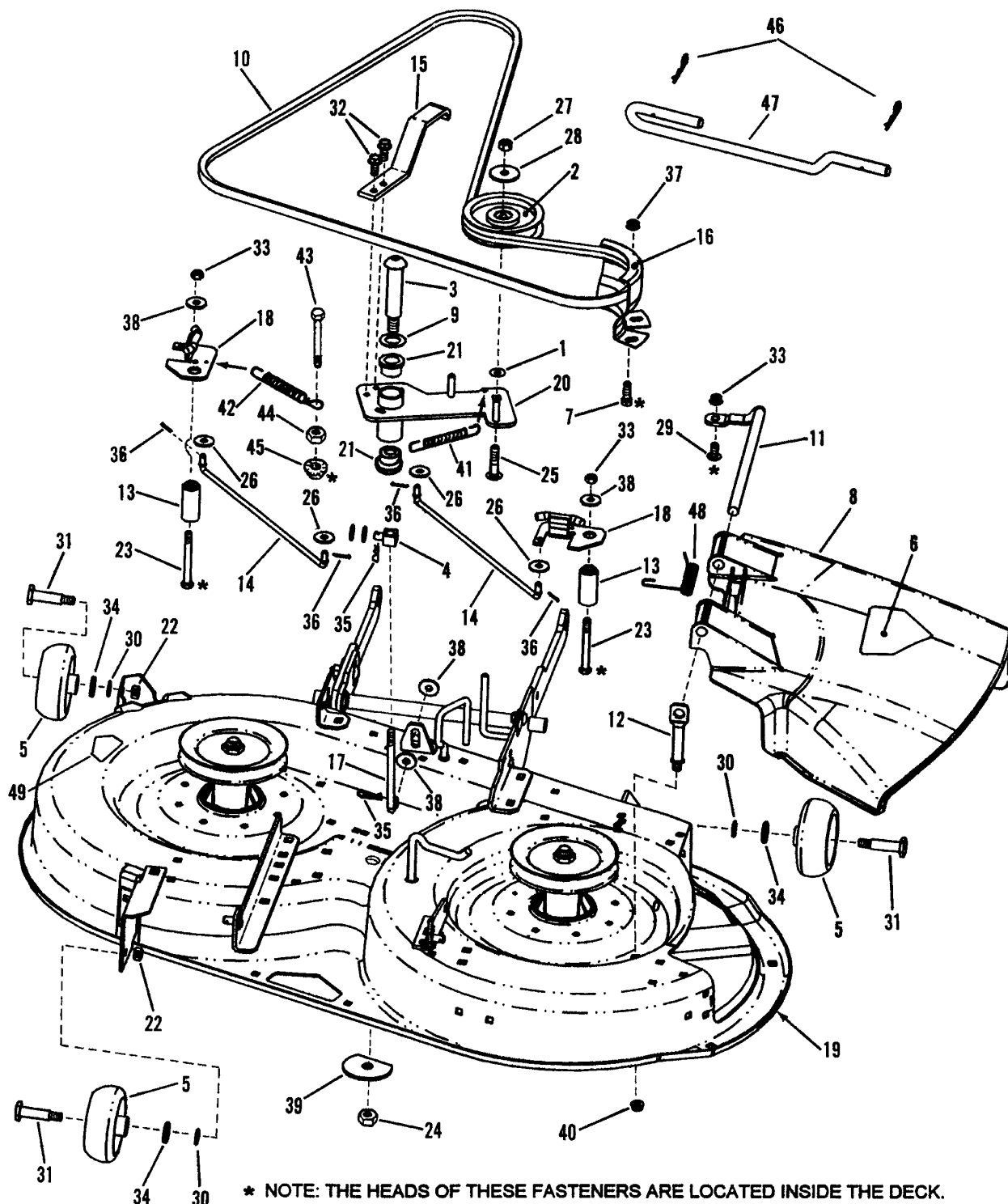


38" Cutting Deck Assembly (Part 2)

Item	Part No	Qty	Description	Note
38	7091675	4	WASHER, 11/32" I.D. Flat	
39	7091775		WASHER, 1/2" I.D. x 2-1/2" O.D. Special "D"	
40	7091619		NUT, 3/8-16 Hex Flange Lock	<i>Was 90613</i>
41	7012264		SPRING	
42	7029025		SPRING, Extension	
43	7091732		SCREW, 1/4-20 x 2-3/4" Hex Head Cap, Grade 5	<i>Was 90971</i>
44	7091576		NUT, 1/4-20 Hex, Grade 5	<i>Was 90063</i>
45	7091545		NUT, 1/4-20 Hex Flange Lock, Grade 5	<i>Was 90477</i>
46	7091596		HAIRPIN (for 5/8" diameter shaft)	
47	7027471		PIN, Deck Hanger	
48	7035813		SPRING, Side Discharge	
49	7026154		DECAL, 38 Inch Deck	

Footnotes:

38" Cutting Deck, Belts, Brakes



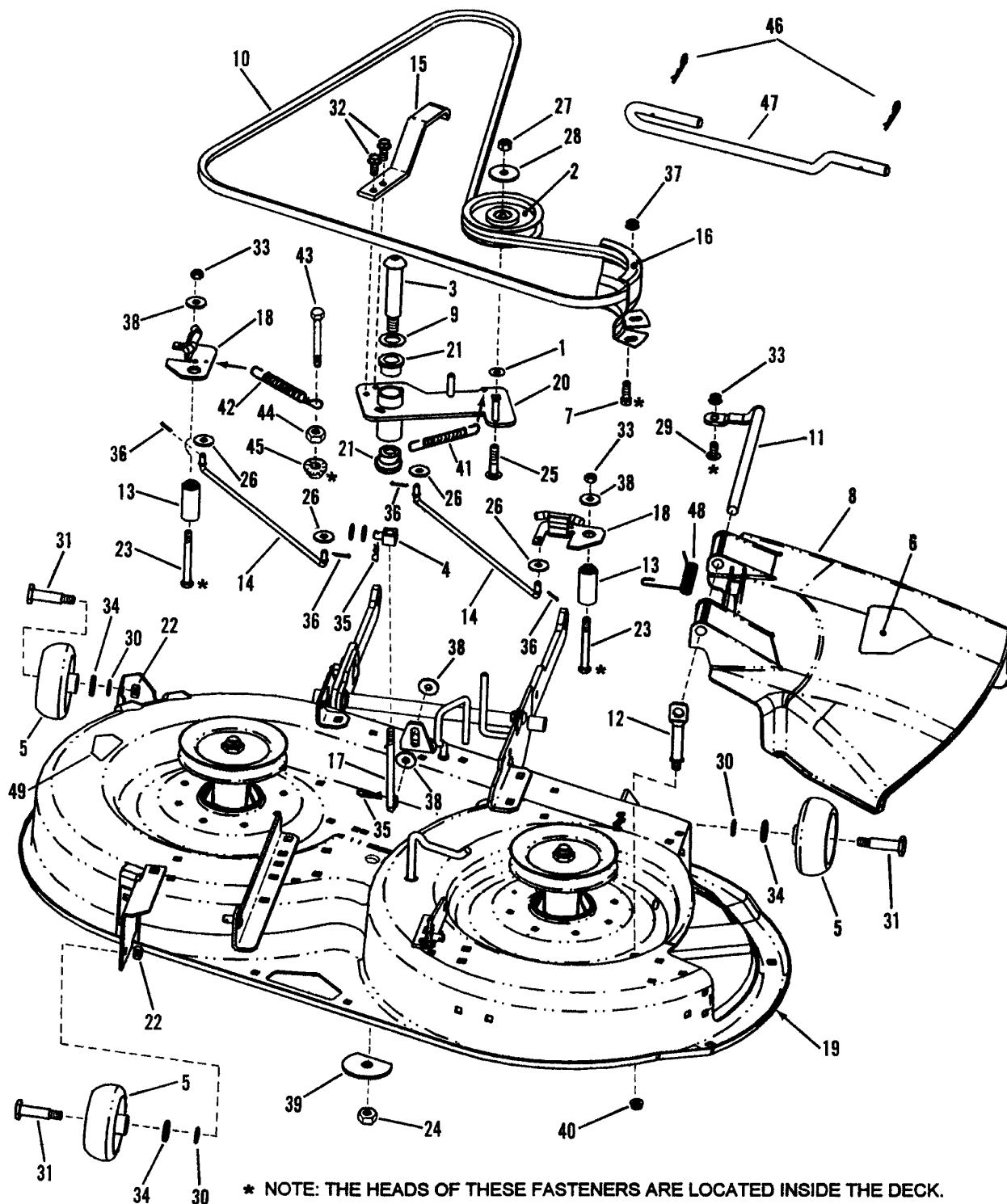
* NOTE: THE HEADS OF THESE FASTENERS ARE LOCATED INSIDE THE DECK.

38" Cutting Deck, Belts, Brakes

Item	Part No	Qty	Description	Note
1	7013847		RETAINER, 3/8" Bolt	
2	7018574		IDLER, 4-1/8" Flat	
3	7024604		BOLT, 3/4" Dia. X 3.01 Shoulder; 1/2-13 Thread	
4	7024607		SWIVEL, Brake Link	
5	7026122	3	WHEEL, Gage 38" Deck	
6	7013010		DECAL, CPSC Cut Finger	Was 26831
7	7027168	3	SCREW, 5/16-18 x 1" Hex Head Cap, Grade 5	
8	7029425		CHUTE, Discharge 38" Deck	
9	7029617		WASHER, 3/4" I.D. Flat	
10	7035500		BELT, 38" Deck Dual Spindle Brake	
11	7035502		ROD, Pivot, Side Discharge	
12	7035503		ROD, Mounting, Side Discharge	
13	7035507	2	PIVOT, Dual Brake	
14	7035510	2	BRAKE LINK, Dual Spindle Brake	
15	7035518		LEVER, Engagement	
16	7035529		GUARD, Belt, 38" Dual Spindle Brake	
17	7036586		J-BOLT, 3/8-16 x 6-1/4"	
18	7042595	2	ARM, Brake	
19	7054096		ASSEMBLY, 38" Dual Brake Deck	
20	7042596		ARM, Idler, Dual Brake	
21	7035496	2	BEARING, 3/4" I.D.	
22	7090289	3	NUT, 3/8-24 Hex Center Lock, Grade 5	
23	7091830	2	SCREW, 5/16-18 x 3" Hex Head Cap, Gr. 5	Was 90553
24	7090975		NUT, 1/2-13 Hex Center Lock	
25	7091810		BOLT, 3/8-16 x 1-3/4" Short Neck Carriage, Gr. 5	Was 91158
26	7091294	4	WASHER, 1/4" I.D. Flat	
27	7091302		NUT, 3/8-16 Hex, Grade 5	
28	7091331		WASHER, 13/32" I.D. Flat	
29	7091508		BOLT, 5/16-18 x 3/4" Short Neck Carriage, Gr. 5	
30	7090122	3	WASHER, 3/8" Flat	Was 91514
31	7091526	3	BOLT, 5/8" Dia. Shoulder, 3/8-24 Thread	
32	7091541	2	SCREW, 5/16-18 x 3/4" Self-Tapping	
33	7091575	3	NUT, 5/16-18 Hex Center Lock, Grade 5	
34	7091587	3	WASHER, 1/2" I.D. Flat	
35	7091310	2	PIN, #13 Hair	
36	7091597	4	PIN, 3/32 x 3/4" Cotter	
37	7091601	4	NUT, 5/16-18 Hex, Grade 5	

Footnotes:

38" Cutting Deck, Belts, Brakes

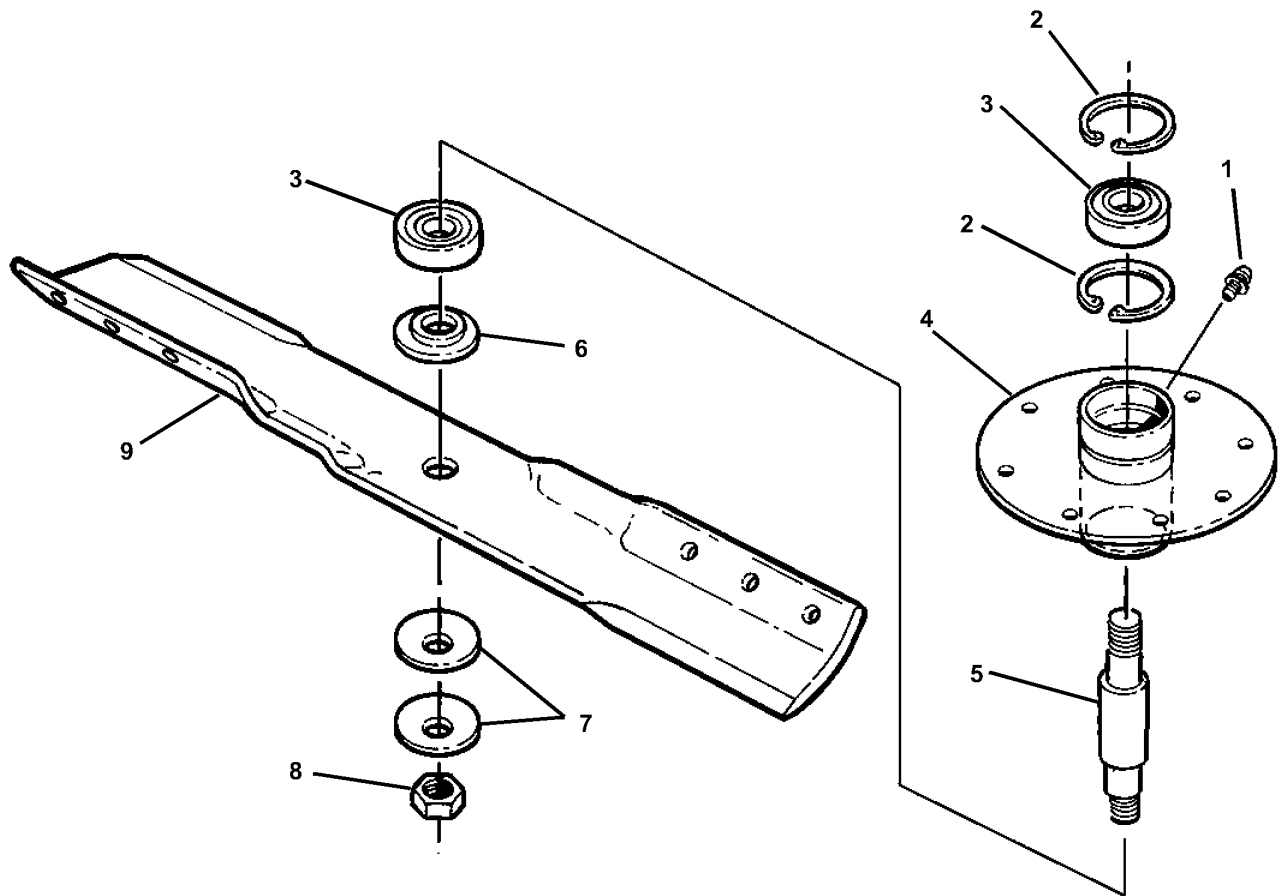


38" Cutting Deck, Belts, Brakes

Item	Part No	Qty	Description	Note
38	7091675	4	WASHER, 11/32" I.D. Flat	
39	7091775		WASHER, 1/2" I.D. x 2-1/2" O.D. Special "D"	
40	7091619		NUT, 3/8-16 Hex Flange Lock	<i>Was 90613</i>
41	7012264		SPRING	
42	7029025		SPRING, Extension	
43	7091732		SCREW, 1/4-20 x 2-3/4" Hex Head Cap, Grade 5	<i>Was 90971</i>
44	7091576		NUT, 1/4-20 Hex, Grade 5	<i>Was 90063</i>
45	7091545		NUT, 1/4-20 Hex Flange Lock, Grade 5	<i>Was 90477</i>
46	7091596		HAIRPIN	
47	7027471		PIN, Deck Hanger	
48	7035813		SPRING, Side Discharge	
49	7026154		DECK, 38 Inch	

Footnotes:

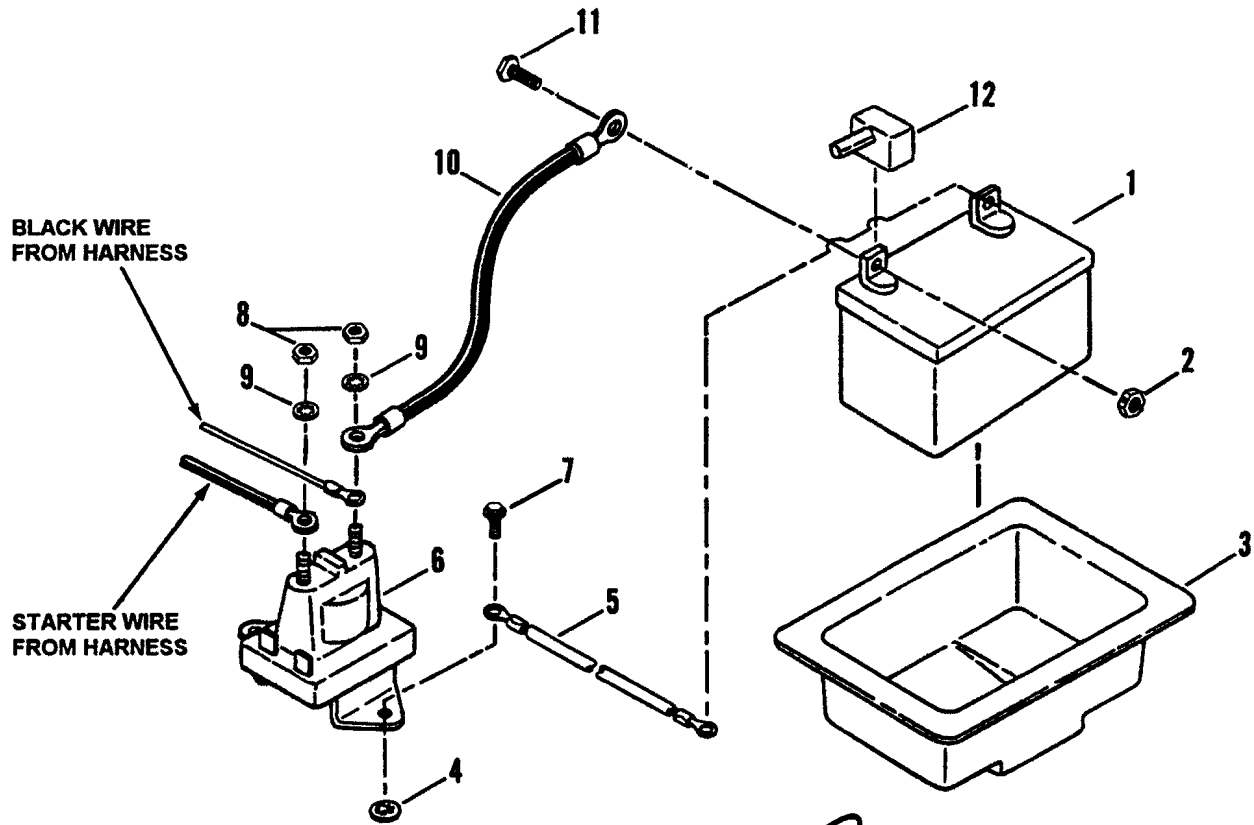
Spindle - 38" Cutting Deck



Spindle - 38" Cutting Deck

Item	Part No	Qty	Description	Note
	7063198		ASSEMBLY, Spindle Housing, 38" Cutting Deck	<i>Was 58357 (Includes items 2 thru 9)</i>
1	7010817		FITTING, Lube	
2	7012491	2	RING, Retaining	
3	7013313	2	BEARING, Spindle	
4	7063199		HOUSING, Spindle	<i>Was 58356</i>
5	7072537		SHAFT, Spindle (7.181" overall length)	
6	7072109		WASHER, Spindle	
7	7024467	2	WASHER, Belleville, 19/32" I.D. x 1-3/4" O.D.	
8	7091633		NUT, 9/16-18 Hex Jam	
9	7042998		BLADE, 19"	

Footnotes:

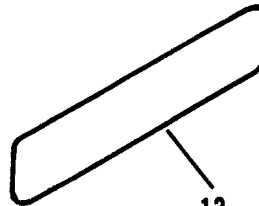


BLACK WIRE FROM HARNESS

STARTER WIRE FROM HARNESS

CAUTION
 IF BATTERY IS REMOVED, DO NOT OPERATE ENGINE WITHOUT INSULATING POS+ BATTERY CABLE TERMINAL WITH ELECTRICAL TAPE, OR SPARKING FROM BATTERY CABLES CAN RESULT.

PART No. 1-6134
 (see item 1 below)



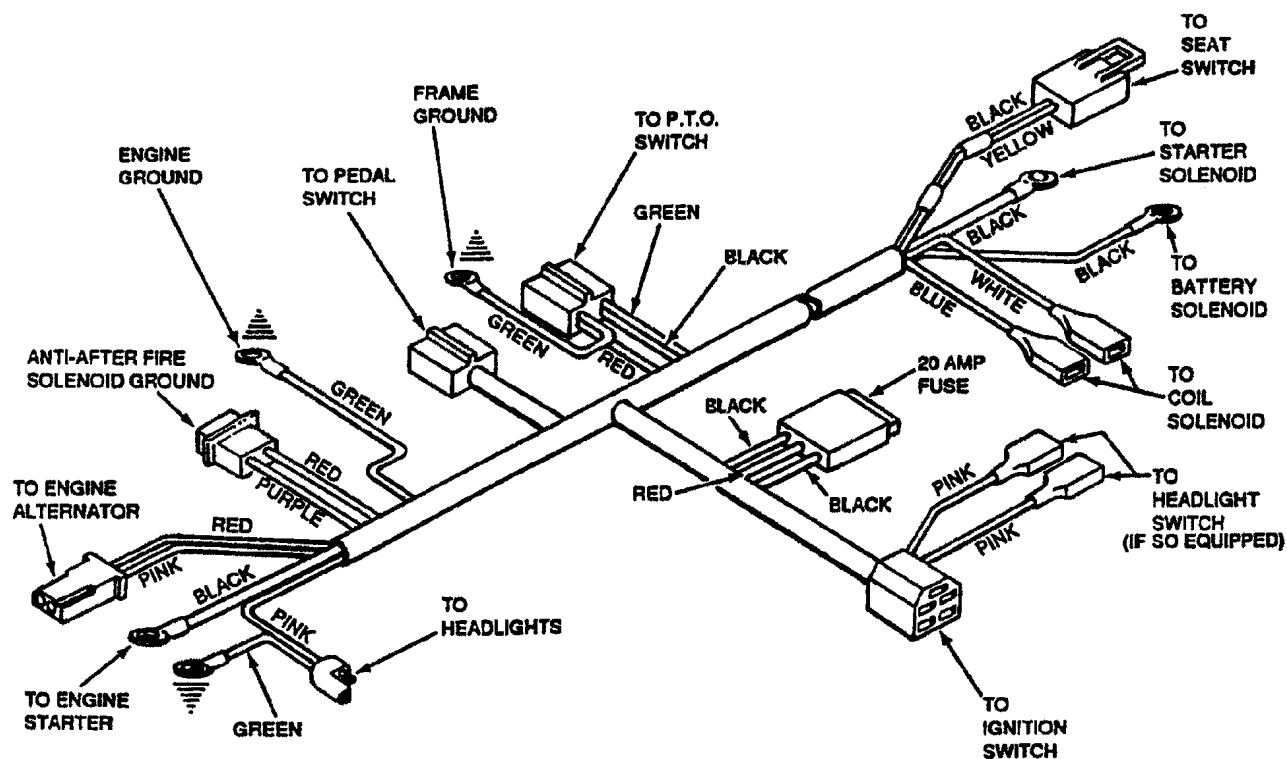
13
 LOCATED ON FRAME,
 NEAR BATTERY OPENING
 (for further identification of
 Decal, refer to decal page)

Electrical Components

Item	Part No	Qty	Description	Note
1	7060618		KIT, Battery	<i>(Includes Caution Tag, Part No. 16134 & Battery without Acid)</i>
2	7090372	2	NUT, 1/4-20 Hex Center Lock, Grade B or 5	
3	7017853		TRAY, Battery	
4	7012485		RETAINER, 1/4" Bolt	
5	7026414		CABLE, Ground (Black)	
6	7075622		SOLENOID	<i>Was 18604</i>
7	7091122	2	SCREW, 1/4-20 x 1/2" Self-Tapping	<i>Was 90539</i>
8	7090977	2	NUT, 1/4-20 Hex Jam	
9	7090053	2	WASHER, 1/4 Internal Tooth Lock	<i>Was 91314</i>
10	7014476		CABLE, Positive (Red)	
11	7090072	2	SCREW, 1/4-20 x 5/8" Hex Head Cap, Grade 5	<i>Was 27172</i>
12	7012444		COVER, Positive Terminal	
13	7026415		DECAL, Caution, Battery Installation	
613	7016134		TAG, Caution	

Footnotes:

Electrical Illustrated Diagram - Wiring Harness P/N 26616



WIRING HARNESS 2-6616

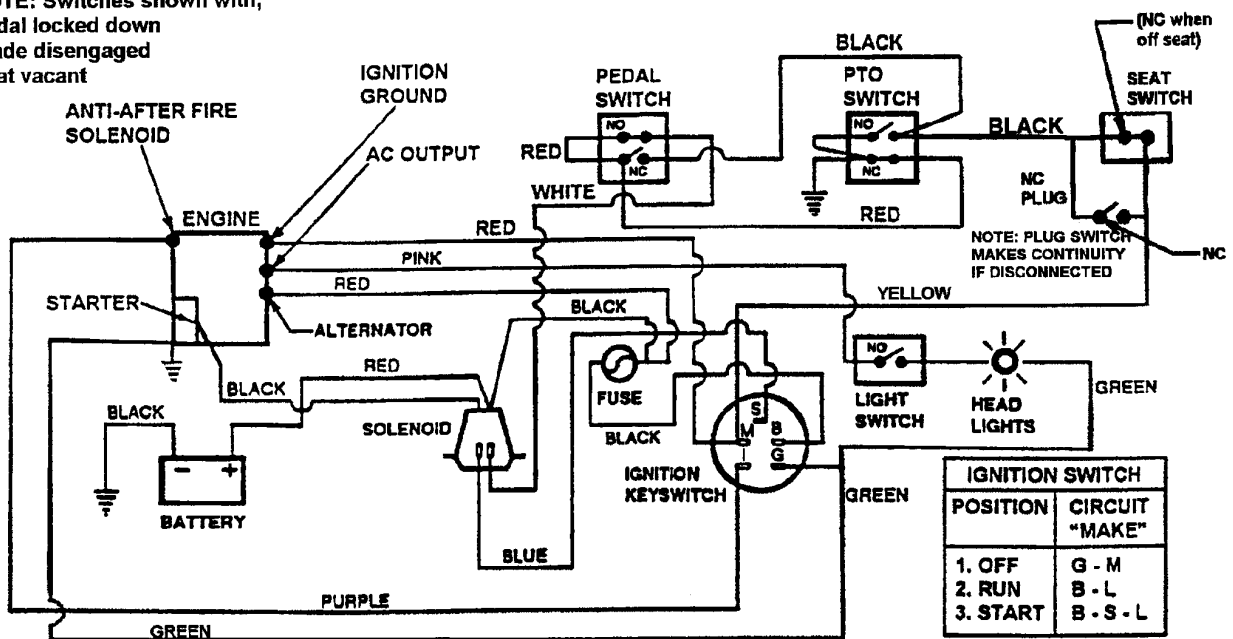
Electrical Illustrated Diagram - Wiring Harness P/N 26616

Item	Part No	Qty	Description	Note
26616	7026616		WIRING HARNESS	

Footnotes:

Electrical Schematic - Wiring Harness P/N 26616

NOTE: Switches shown with,
Pedal locked down
Blade disengaged
Seat vacant



SCHMATIC - WIRING HARNESS P.N. 2-6616

Electrical Schematic - Wiring Harness P/N 26616

Item	Part No	Qty	Description	Note
26616	7026616		WIRING HARNESS	

Footnotes:

Parts Manual for

SNAPPER®

**LAWN TRACTORS MANUAL CLUTCH
HYDRO DRIVE
SERIES "G"**

IT IS THE POLICY OF SNAPPER TO IMPROVE ITS PRODUCTS
WHENEVER IT IS POSSIBLE AND PRACTICAL TO DO SO. WE
RESERVE THE RIGHT TO MAKE CHANGES OR ADD IMPROVEMENTS
AT ANY TIME WITHOUT INCURRING ANY OBLIGATION TO MAKE
SUCH CHANGES ON PRODUCTS MANUFACTURED PREVIOUSLY.

SNAPPER® McDonough, GA, 30253 U.S.A.