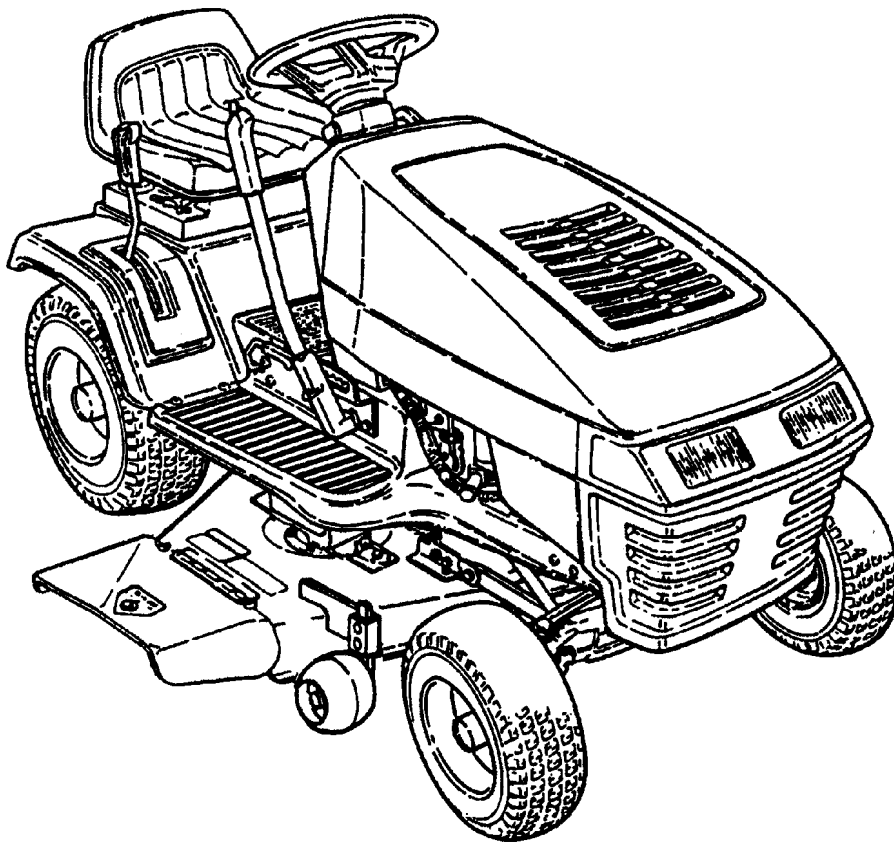


Parts Manual for

SNAPPER®

LAWN TRACTORS ELECTRIC CLUTCH HYDRO DRIVE SERIES "G"

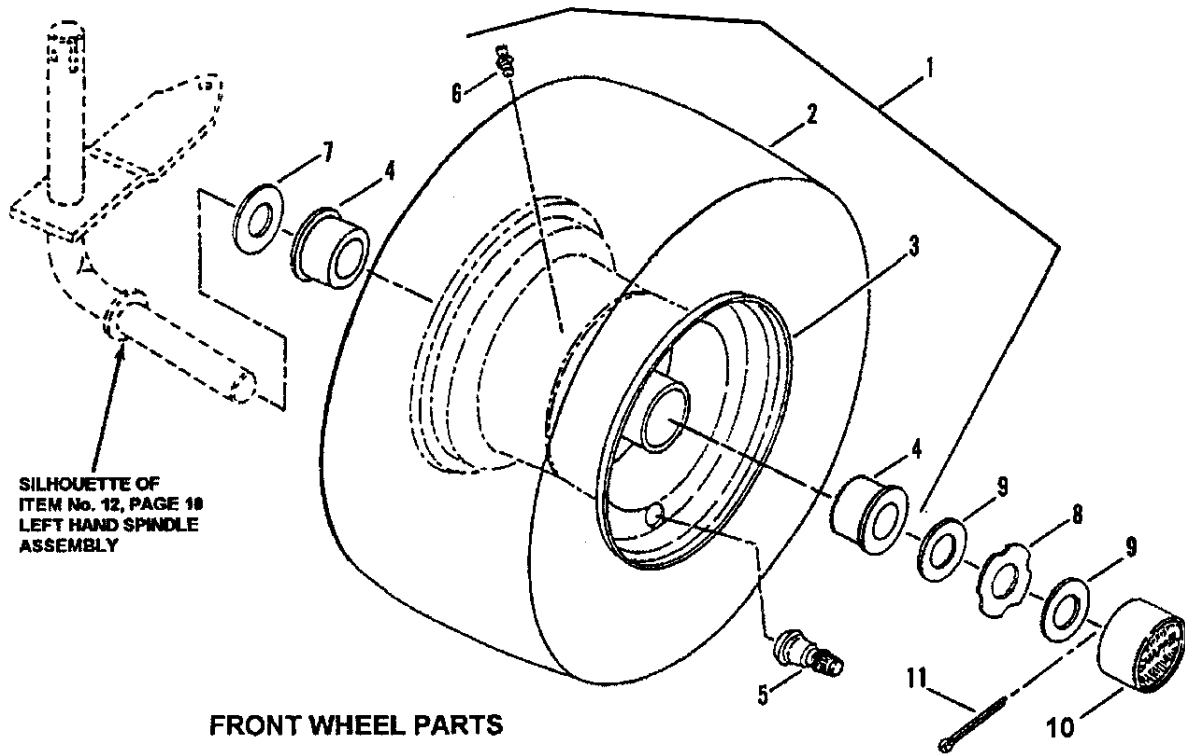


MODEL

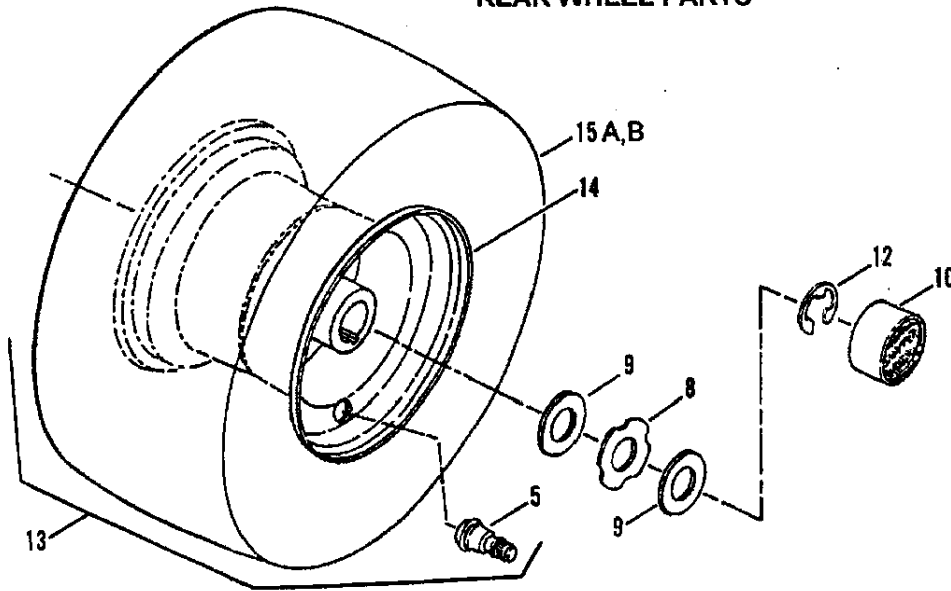
**LT160H42GBV
LT160H42GBV2
LT180H48GBV2
WLT160H42GBV
WLT180H48GBV2**

SNAPPER McDonough, GA, 30253 U.S.A.

PAGE	GROUP
4	Wheels, Front & Rear
6	Hood, Bumper, Headlights & Components
8	Steering Wheel, Console, Fuel Tank
12	Cast Front Axle
14	Frame, Clutch, Brake & Steering Components (Part 1)
20	Frame, Clutch, Brake & Steering Components (Part 2)
22	Blade Engagement & Transmission Controls
26	Implement Lift Arms
28	Transmission Group (Hydro Drive)
30	Hydro Reservoir Assembly
32	Engine Components
34	Engine Components
36	Engine Components
38	Seat, Rear Fender & Components
42	Decals (Part 1)
44	Decals (Part 2)
46	42" Cutting Deck
50	Belt, Blade Break - 42" Cutting Deck
52	Spindle Assembly - 42" Cutting Deck
54	48" Cutting Deck Sub Assembly (P/N 57821)
56	48" Cutting Deck, Belts, Brakes
60	48" Drive Idler Assembly
62	48" Drive Idler Arm Assembly
64	Spindle Assemblies - 48" Cutting Deck
66	Electrical Components
68	Electrical
70	Electrical



REAR WHEEL PARTS

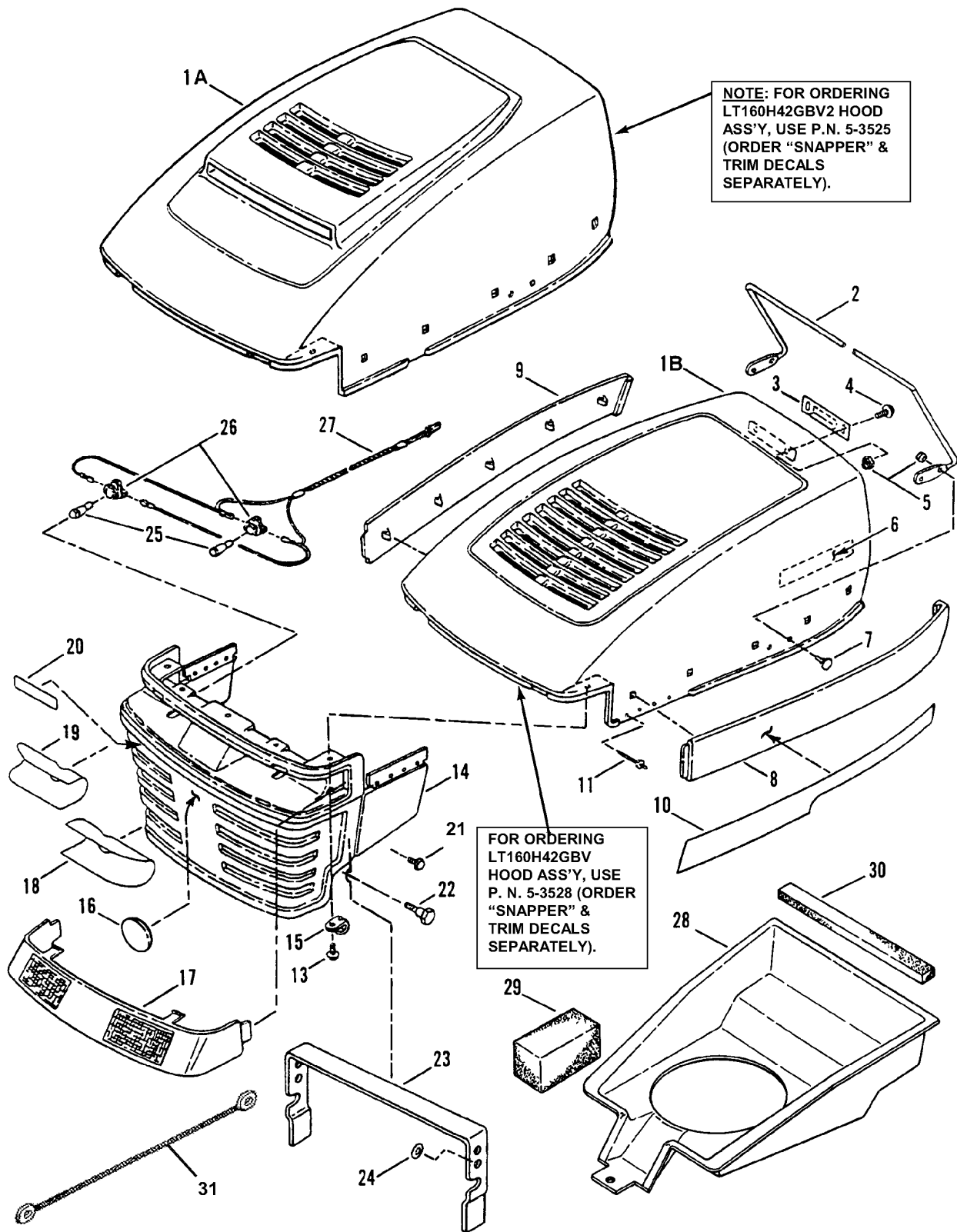


Wheels, Front & Rear

Item	Part No	Qty	Description	Note
1	7058517		ASSEMBLY, Front Tire & Rim	<i>(Includes items 2, 3, 4, 5 & 6); (Models: LT160H42GBV & LT160H42GBV2)</i>
	7058521		ASSEMBLY, Front Tire & Rim	<i>(Includes items 2, 3A, 4A, 5 & 6); (Model: LT180H48GBV2)</i>
2	7072704		TIRE, 15 x 6.00	
3	7022772		RIM, 6.00 x 3.50	
3	7071966		RIM, 6.00 x 4.00 Grey	
4	7014483	4	BEARING, Wheel	
4	7028722	4	BEARING, Wheel Ball (Heim)	
5	7012234	4	VALVE, Air (Snap-in)	
6	7076998	2	FITTING, Lube 1/4-28 Tapered Thread	<i>Was 13876</i>
7	7034453	2	WASHER, Flat, 5/32 x 25/32" I.D. x 1-1/2" O.D.	
8	7029618	4	WASHER, Hub-Cap Retaining	
9	7029617	8	WASHER, Flat, 1/16 x 49/64 I.D. x 1-5/16" O.D.	
10	7011022	4	HUB-CAP	
11	7091516	2	COTTER-PIN, 5/32 x 1"	
12	7010746	2	RING, External Retaining, 3/4"	<i>Was 29738</i>
13	7058519		ASSEMBLY, Rear Tire & Rim	<i>(Includes items 5, 14 & 15A); (Model LT160H42GBV)</i>
	7058520		ASSEMBLY, Rear Tire & Rim	<i>(Includes items 5, 14 & 15B); (Models: LT160H42GBV2 & LT180H48GBV2)</i>
14	7024454		RIM, 8 x 7.00	
15A	7072706		TIRE, 18 x 9.50	
15B	7072707		TIRE, 20 x 10.00	

Footnotes:

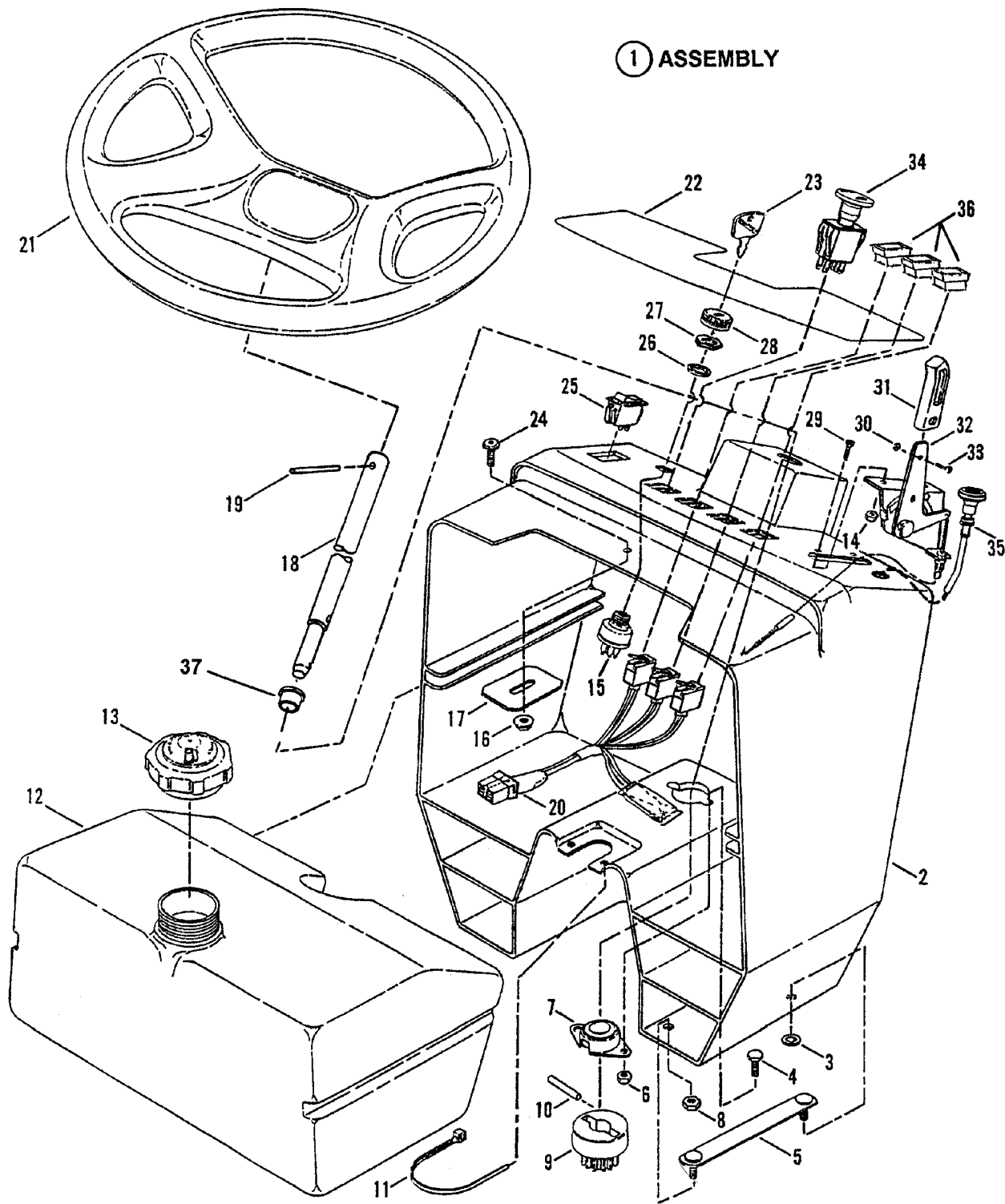
Hood, Bumper, Headlights & Components



Hood, Bumper, Headlights & Components

Item	Part No	Qty	Description	Note
1A	7063298		HOOD, Mozart (with Scoop) (Models: LT160H42GBV2 & LT180H48GBV2)	Was 26406 or 61383
1B	7024471		HOOD, Mozart (Model: LT160H42GBV)	
2	7016766		ROD, Hood Support	
3	7024718		LATCH, Spring	
4	7090999	2	SCREW, 1/4-20 x 5/8" Truss Head, Torx	
5	7076978	6	NUT, 1/4-20 Hex Nyloc	
6	7073905		DECAL, SNAPPER, 8" Molded Logo	
7	7090803	4	BOLT, 1/4-20 x 5/8" Flat Head Carriage	
8	7029572		PANEL, Hood (Left Hand)	
9	7029571		PANEL, Hood (Right Hand)	
10	7029020		DECAL, Hood (Right Hand) (Model: LT160H42GBV)	
	7029019		DECAL, Hood (Left Hand) (Model: LT160H42GBV)	
	7027820		DECAL, Hood (Right Hand) (Model: LT160H42GBV2)	
	7027821		DECAL, Hood (Left Hand) (Model: LT160H42GBV2)	
	7046756		DECAL, Hood (Right Hand) (Model: LT180H48GBV2)	
	7046757		DECAL, Hood (Left Hand) (Model: LT180H48GBV2)	
11	7091095	8	RIVET, 1/8" Pop	
13	7091106	5	SCREW, M4.8 x 1.59 x 16.00mm, Special	
14	7029570		GRILLE, Hood	
15	7026482		CLIP, "J"	
16	7026377		DECAL, Molded Medallion	Was 71544
17	7029602		LENS, Grille (Headlights)	
18	7026180		DECAL, Reflect (Left Hand)	
19	7026179		DECAL, Reflect (Right Hand)	
20	7022968		DECAL, SNAPPER, 4" Molded Logo (Silver Letters - Blue Stripe)	
21	7090858	4	SCREW, 5/16-18 x 1/2" Self-Tapping	
22	7024061	2	BOLT, Shoulder, 3/8-16 x 1-1/4" Hex Socket, Torx	
23	7034324		BRACE, Hood Support	
24	7011791		RETAINER, 5/16" Bolt	
25	7026172	2	BULB, Headlights	
26	7024709	2	SOCKET, Headlight Bulb	
27	7026171		HARNESS, Headlight Wiring	
28	7028764		PLENUM (Models: LT160H42GBV2 & LT180H48GBV2 Only!)	
29	7026844		FOAM, 2 x 2 x 3.5" (Models: LT160H42GBV2 & LT180H48GBV2 Only!)	
30	7026803		FOAM, 1/2 x 3/4 x 14.25" (Models: LT160H42GBV2 & LT180H48GBV2 Only!)	
31	7073446		LANYARD, Hood (Model LT160H42GBV)	
	7073445		LANYARD, Hood (Models LT160H42GBV2 & LT180H48GBV2)	

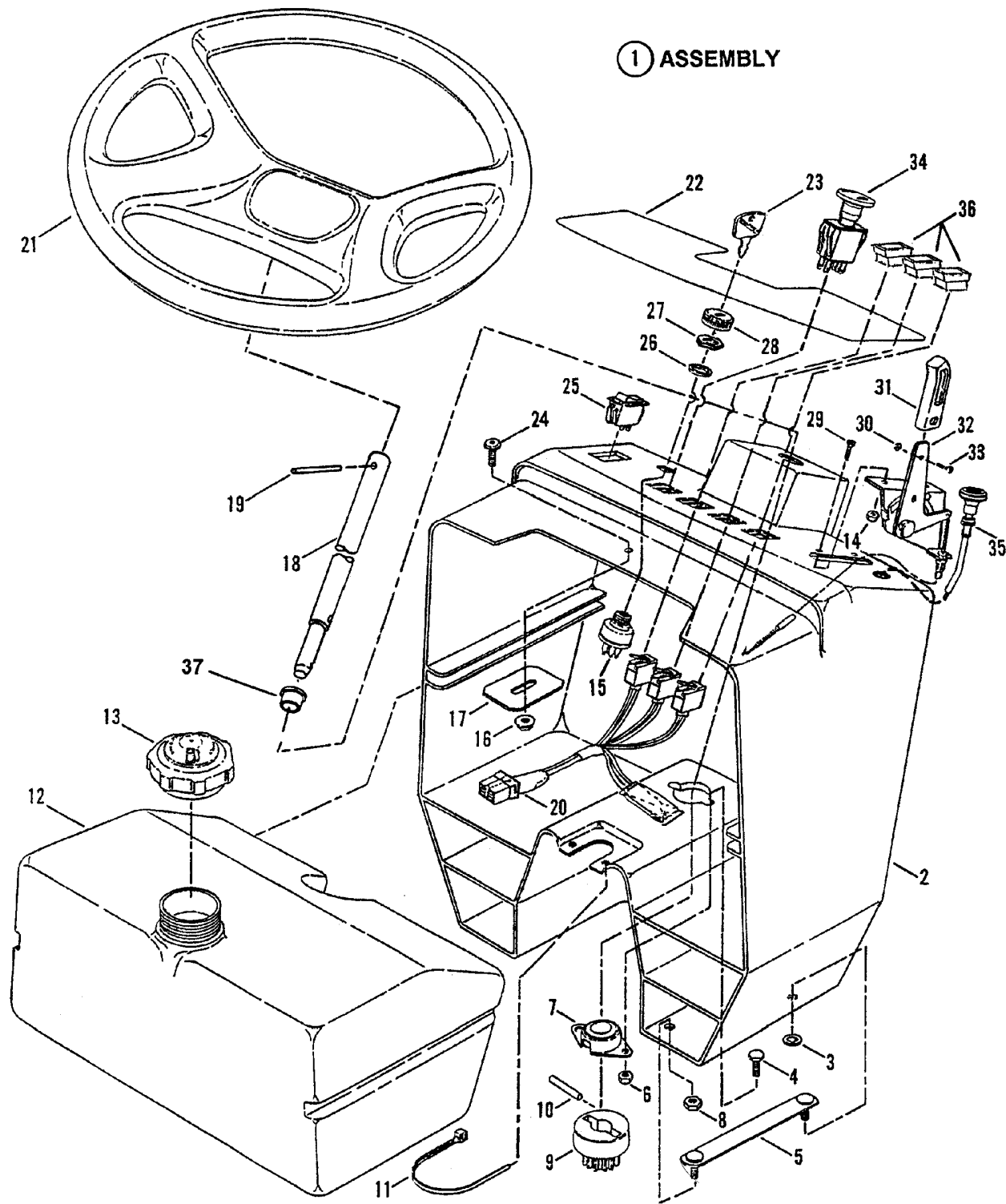
Footnotes:



Steering Wheel, Console, Fuel Tank

Item	Part No	Qty	Description	Note
1	7053746		ASSEMBLY, Console	(Includes 2 thru 7) (all models)
2	7028565		CONSOLE	
3	7011791	4	RETAINER, 5/16 Bolt	
4	7091495	2	SCREW, 1/4-20 x 3/4" Hex Head Cap, Grade 5	
5	7052891	2	ASSEMBLY, Strap-Clinch Stud	
6	7076978	2	NUT, 1/4-20 Hex Nyloc	
7	7026196		ASSEMBLY, Flange Bearing	
8	7091575	4	NUT, 5/16-18 Hex Center Lock, Grade B or 5	
9	7022368		GEAR, Pinion, Steering Shaft	
10	7022369		PIN, Dowel, 1/4 x 1-1/4"	
11	7024641		TIE, Wire	(Models:LT160H42GBV2 & LT180H48GBV2 Only)
12	7052907		ASSEMBLY, Fuel Tank	(Includes item 13)
13	7012515		CAP, Fuel Tank	Was 14363
14	7091290	2	NUT, #10-24 Hex Nyloc	Was 91599
15	7026343		KEY SWITCH	(Includes item 27)
16	7090951		NUT, 5/16-18 Hex Flange Lock	
17	7033883		BRACKET, Hood Latch Catch	
18	7022380		SHAFT, Steering	
19	7012765		ROLL-PIN, 1/4 x 2-1/4"	
20	7028679		LIGHTS, Indicator	(Models:LT160H42GBV2 & LT180H48GBV2 Only!)
21	7029595		STEERING WHEEL	
22	7028562		DECAL, Console	(Model: LT160H42GBV)
	7028563		DECAL, Console	(Models: LT160H42GBV2 & LT180H48GBV2)
23	7073406		KEY, Switch (With Cover)	Was 23504
24	7091001		SCREW, 5/16-18 x 5/8" Truss Head, Torx	
25	7023187		SWITCH, Lights	
26	7029714		SPACER	(Models: LT160H42GBV & LT160H42GBV2 Only)
27	7012685		NUT, 5/8-32 Hex	Was 29721
28	7023506		BEZEL	
29	7091188	2	SCREW, #10-24 x 5/8" Machine	
30	7091018		NUT, #8-32 Hex, Grade 2 or B	
31	7023655		HANDLE, Throttle Control	
32	7024642		CONTROL, Throttle	(Model: LT160H42GBV)
	7028564		CONTROL, Throttle	(Models: LT160H42GBV2 & LT180H48GBV2)
33	7091017		SCREW, #8-32 x 3/8" Cross-Recessed, Fillester Head, Grade 2	
34	7028542		SWITCH, PTO	
35	7028566		CABLE, Choke	(Models:LT160H42GBV2 & LT180H48GBV2 Only!)

Footnotes:

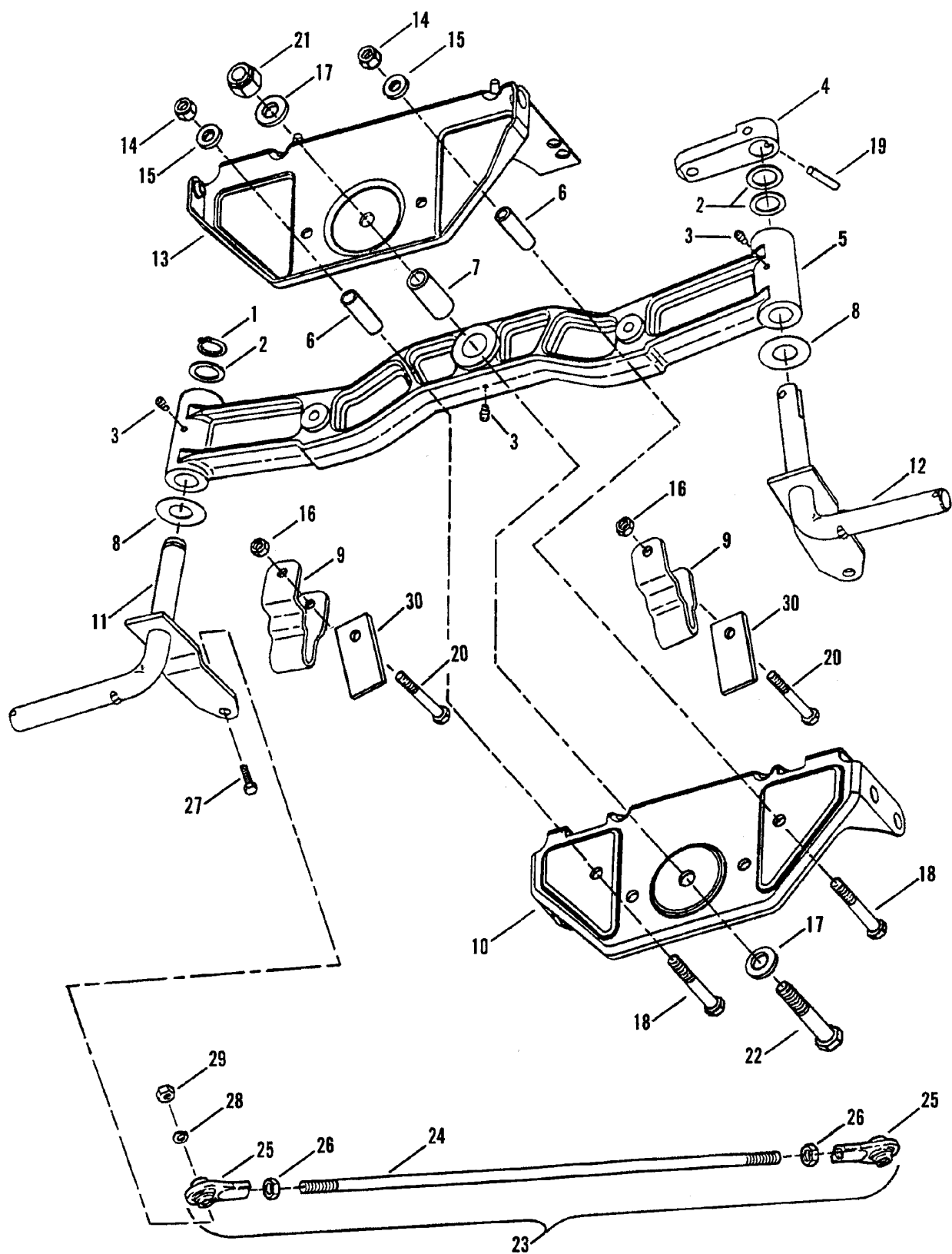


Steering Wheel, Console, Fuel Tank

Item	Part No	Qty	Description	Note
36	7025007		LENS, Indicator Light	<i>(Models: LT160H42GBV2 & LT180H48GBV2 Only!)</i>
37	7035496		BEARING, 3/4" I.D.	

Footnotes:

Cast Front Axle



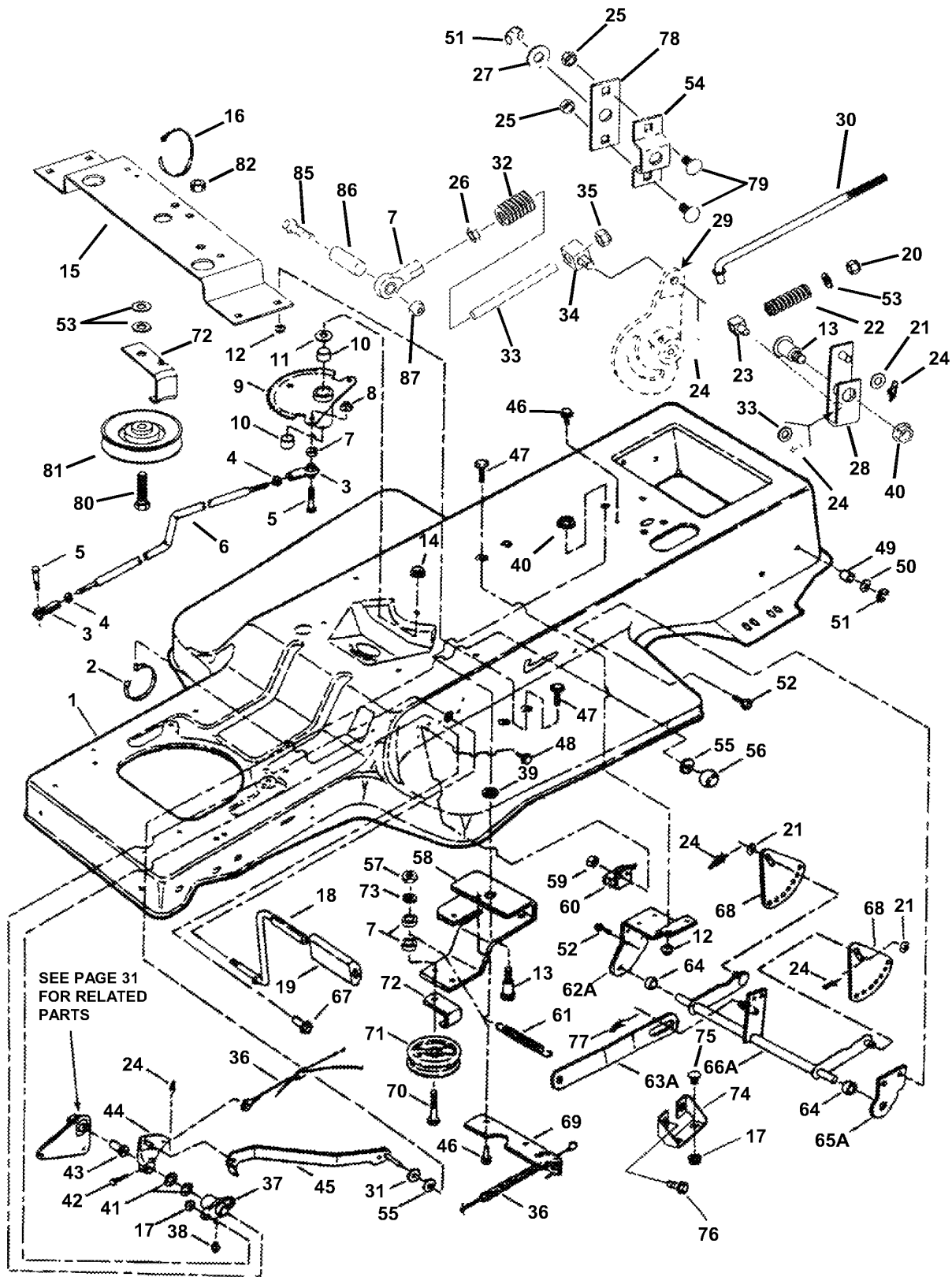
Cast Front Axle

Item	Part No	Qty	Description	Note
1	7010746		RING, 5/8 External Retaining	
2	7010935		WASHER, 49/64 x 1-1/8 x 1/16" Flat	
3	7014669		FITTING, 3/16 Lube	
4	7019034		ARM, Steering	
5	7072411		AXLE, Cast	
6	7028666	2	SPACER, 25/64 x 1/2 x 1-13/16"	
7	7028689		SPACER, Center	
	7012706		BEARING, Sleeve	<i>Bushing is not shown at the center hole of the cast axle that pivots around Ref# 7</i>
8	7031036	2	WASHER, Thrust	
9	7033383	2	BRACKET, Deck Hanger	
10	7074424		BRACKET, Cast Axle (Rear)	<i>Was 34740</i>
11	7041251		WELDMENT, Right Hand Spindle Wheel (Short)	
12	7041250		WELDMENT, Left Hand Spindle Wheel (Short)	
13	7053804		* BRACKET, Cast Axle Front	<i>(LT160HGBV2 & LT180H42GBV2)</i>
	7054515		* BRACKET, Cast Axle Front	<i>(Model: LT160H42GBV Only)</i>
14	7091299	2	NUT, 3/8-16 Hex Nyloc	<i>Was 76979</i>
15	7090122	2	WASHER, 3/8 x 5/64" Flat	
16	7091575	2	NUT, 5/16-18 Hex Center Lock	<i>Was 90184</i>
17	7090250	2	WASHER, 1/2 x 3/32" Flat	
18	7091557	2	SCREW, 3/8-16 x 2-3/4" Hex Head Cap, Grade 2	<i>Was 90795</i>
19	7090842		PIN, 1/4 x 1-1/4" Roll	
20	7090831	2	SCREW, 5/16-18 x 2-3/4" Hex Head Cap, Grade 5	
21	7091121		NUT, 1/2-13 Hex Nyloc	
22	7091821		SCREW, 1/2-13 x 3" Hex Head Cap Grade 5	<i>Was 91694</i>
23	7053873		ASSEMBLY, Tie Rod	<i>(Includes items 24,25,& 26)</i>
24	7034777		ROD, Steering Connector	
25	7027936	2	ROD END	
26	7090482	2	NUT, 3/8-24 Hex Jam	
27	7091497	2	SCREW, 3/8-16 x 1-1/2" Hex Head Cap, Grade 5	
28	7091320	2	WASHER, 3/8 Split Lock	
29	7091302	2	NUT, 3/8-16 Hex, Grade 5	
30	7035372		SPACER, Steering Stop	

Footnotes:

NOTE: * This assembly consists of a bracket and two installed clinch studs.

Frame, Clutch, Brake & Steering Components (Part 1)

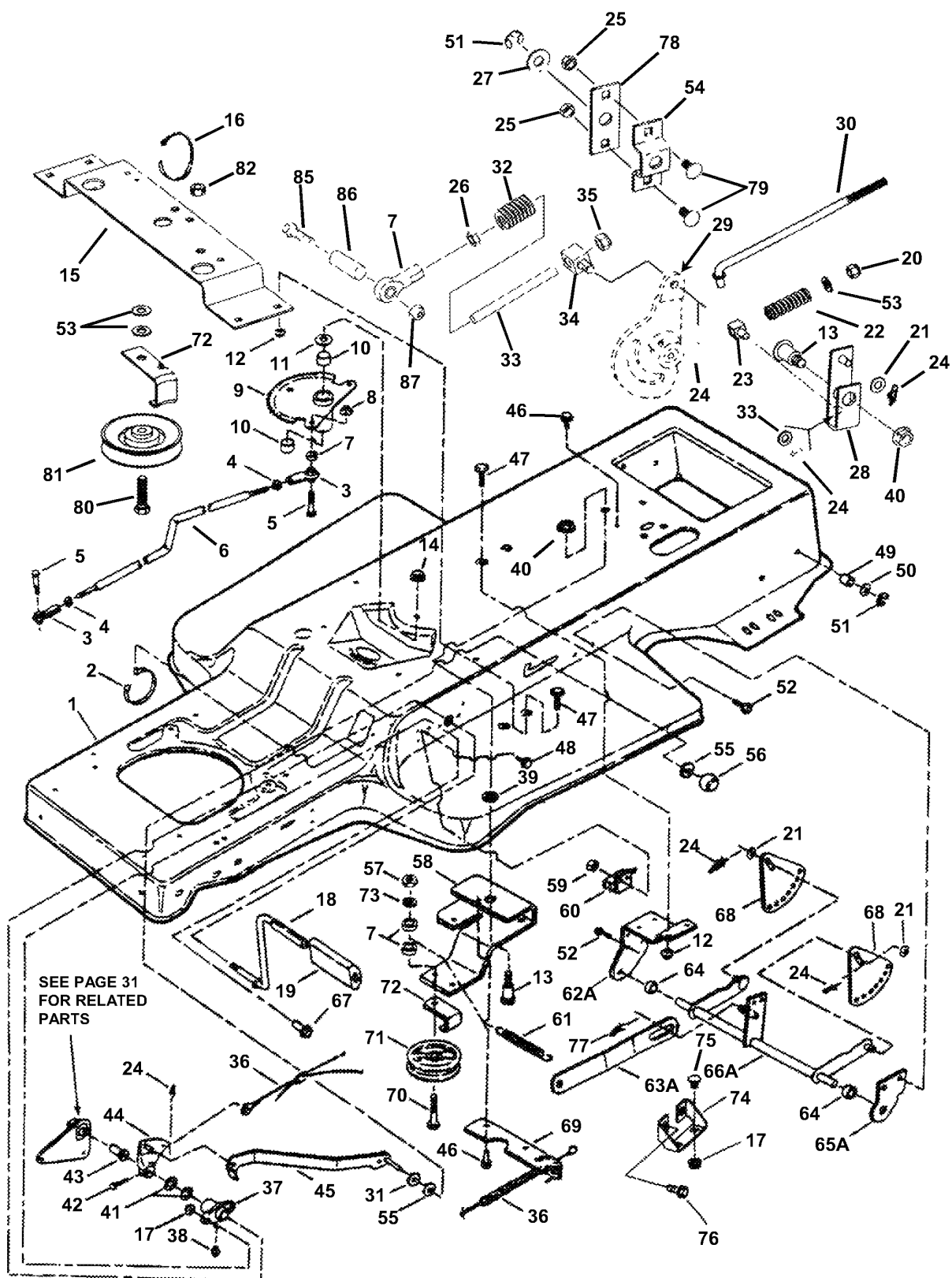


Frame, Clutch, Brake & Steering Components (Part 1)

Item	Part No	Qty	Description	Note
1	7073345		FRAME, Tractor (1 piece)	
2	7014451		TIE, Wire	
3	7027936	2	ROD END	
4	7090482	2	NUT, 3/8-24 Hex Jam	
5	7090163	2	SCREW, 3/8-24 x 1-1/4" Hex Cap	
6	7028420		LINK, Drag	
7	7024180	3	SPACER	
8	7091619		NUT, 3/8-16 Hex Flange Lock	Was 90613
9	7053568		ASS'Y, Sector Gear	(Incl. 41267 Weldment & item 10)
10	7012706	2	BEARING, Sector Gear	
11	7031036		WASHER, 3/4" Thrust	
12	7091584	6	NUT, 1/4-20 Hex Flange Lock	Was 90583
13	7022381	2	BOLT, 1/2-13 x 2" Shoulder	
14	7090975		NUT, 1/2-13 Hex Center Lock Gr. A	
15	7072636		BRACE, Sector Gear	
16	7012080		TIE, Cable 7"	
17	7091601	4	NUT, 5/16-18 Hex Flange Lock Gr. 5	Was 90585
18	7022743		PEDAL, Clutch Brake	
19	7012661		PAD, Pedal	
20	7091299		NUT, 3/8-16 Hex Nyloc	
21	7090122	2	WASHER, 3/8 Bright Zinc, Flat	
22	7024381		SPRING, Brake	
23	7028037		SWIVEL, Inline Brake	
24	7091593	6	PIN, 3/8 x 1-7/32" Cotter (Self-Locking)	
25	7091575	2	NUT, 5/16-18 Hex Center Lock	
26	7092031		NUT, 5/16-24 Hex Jam Lock	
27	7090517		WASHER, .44" I.D. Flat	Was 91300
28	7058339		WELDMENT, Brake Arm	
29			ARM, Speed Control	(Component of transaxle)
30	7072369		ROD, Brake	
31	7090188		WASHER, 5/16" Flat	
32	7046782		SPRING	
33	7032070	2	WASHER, .406 I.D. Flat	
34	7073607		SWIVEL, Brake Link	
35	7092058		NUT, 5/16-24 Hex Top Lock	
36	7072626		ASSEMBLY, Clutch/Brake Cable	
37	7052431		ASSEMBLY, Foot Shaft Pivot	(Includes item 38)

Footnotes:

Frame, Clutch, Brake & Steering Components (Part 1)

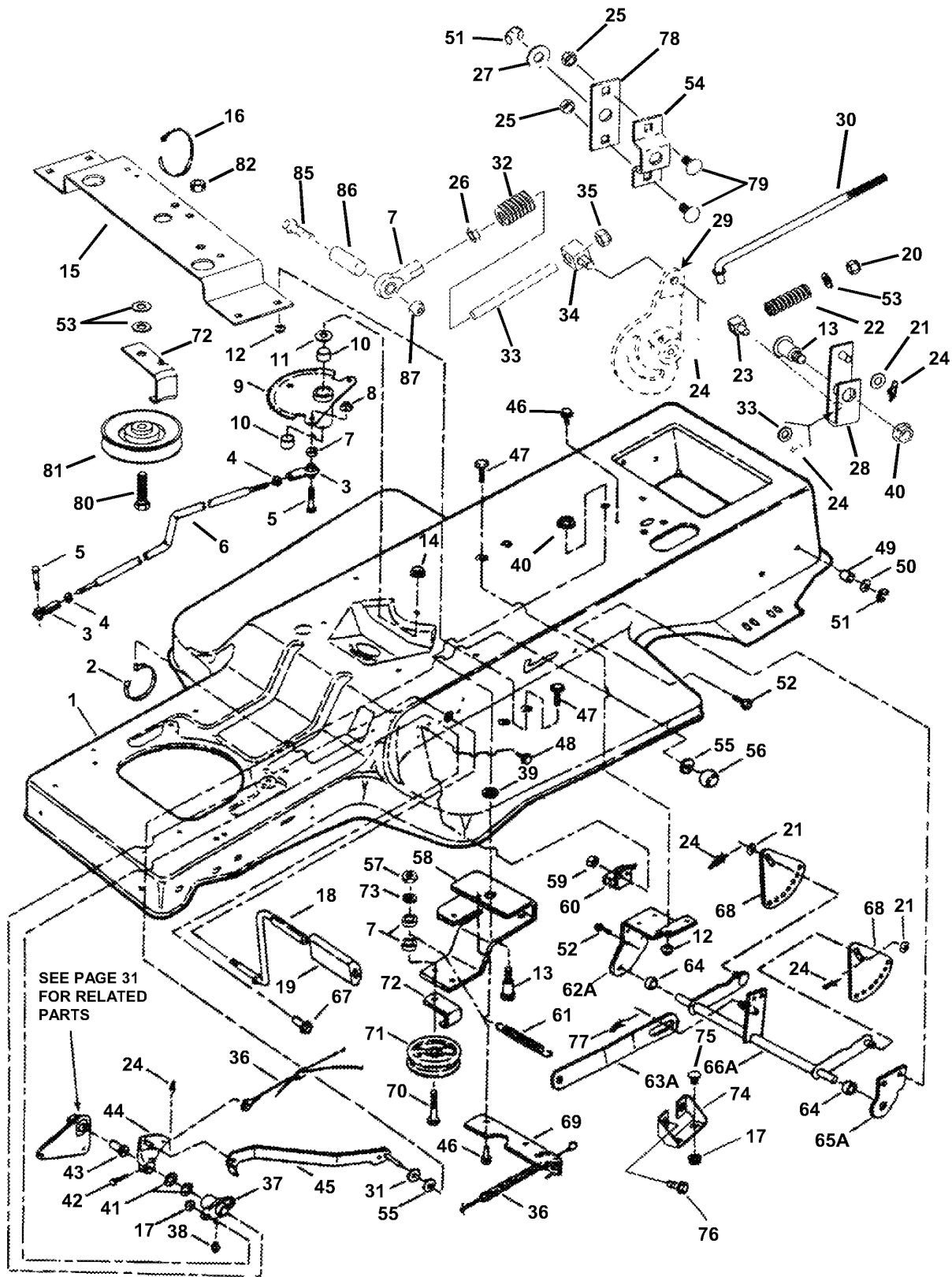


Frame, Clutch, Brake & Steering Components (Part 1)

Item	Part No	Qty	Description	Note
38	7013864		LUBE FITTING, Straight (press-fit for .187 dia. Hole)	
39	7090509		WASHER, 1/2" Internal Tooth Lock	
40	7090619		NUT, 1/2-13 Hex Flange Lock	
41	7027344	2	WASHER, 5/8" Flat	Was 15992
42	7023645		PIN, 3/16 x 1-1/2" Clevis	
43	7022742		BEARING, Flange	
44	7041236		WELDMENT, Clutch Brake Arm	
45	7041244		LATCH, Park Brake	
46	7090361	3	SCREW, 5/16-18 x 5/8" Self-Tapping	
47	7090803	6	BOLT, 1/4-20 x 5/8" Carriage	
48	7091240	2	SCREW, #10-32 x 5/8" H.W.H.	
49	7011016	2	BUSHING, 1/2" Nylon	
50	7091587	2	WASHER, 1/2" Flat	
51	7014341	3	RING, 1/2" External Retaining	
52	7091001	5	SCREW, 5/16-18 x 5/8" Truss	
53	7090122	3	WASHER, 3/8" Flat	Was 91514
54	7072298		BRACKET, Pivot Mounting	
55	7023649	2	WASHER, 5/16" Nylon	
56	7072403		KNOB, Clutch/Brake (5/16-18)	
57	7091302		NUT, 3/8-16 Hex, Grade B or 5	
58	7033557		ARM, Idler (Traction Drive)	
59	7090376	2	NUT, #10-32 Hex Nyloc	
60	7023355		SWITCH, DPDT NC/NO	
61	7024383		SPRING, Traction Drive	
62A	7034410		BRACKET, Rear Lift/PTO Lever	
63A	7034850		LINK, Lift (Models: LT160H42GBV & LT160H42GBV2)	
64	7034384	2	SPACER	
65A	7033520		BRACKET, Deck Hang Pivot	
66A	7041256		WELDMENT, Rear Lift	
67	7091000	2	SCREW, 5/16-18 x 7/8" Truss Head (Torx)	
68	7034377	2	PLATE, Lift Sector	
69	7034326		EXTENSION, Idler Arm	
70	7091560		SCREW, 3/8-16 x 2-1/4" Cap Gr. 5	
71	7023954		PULLEY, Flat Idler 3.47" O.D.	
72	7033556	2	GUIDE, Pulley	
73	7091320		WASHER, 3/8" Split Lock	

Footnotes:

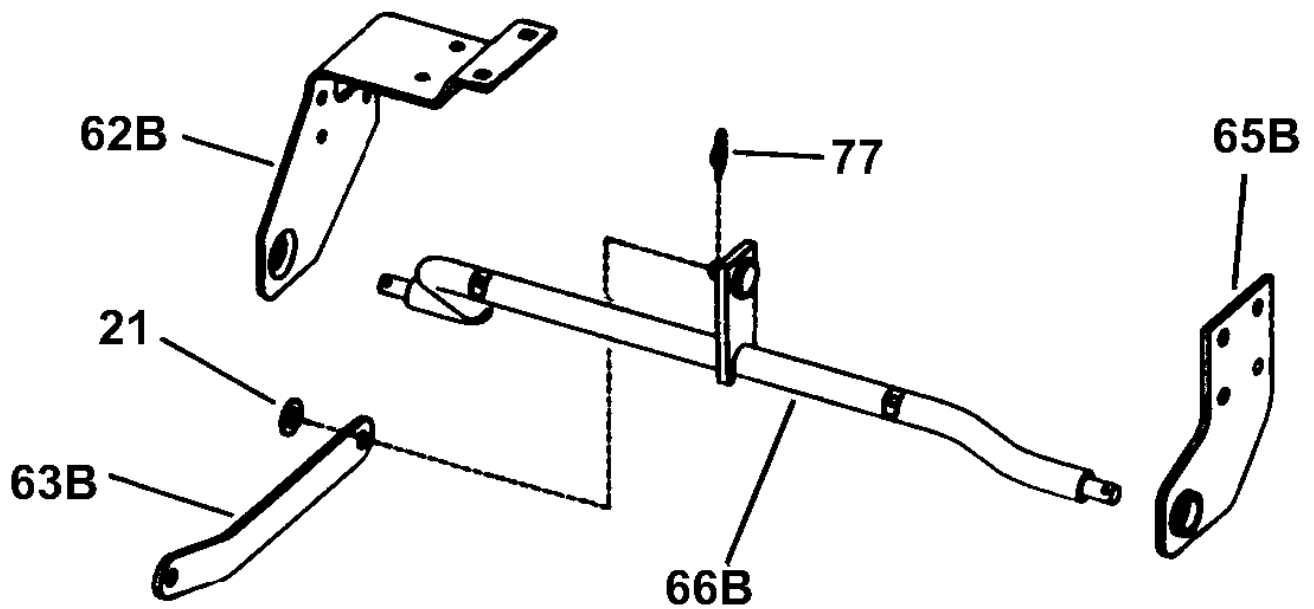
Frame, Clutch, Brake & Steering Components (Part 1)



Frame, Clutch, Brake & Steering Components (Part 1)

Item	Part No	Qty	Description	Note
74	7047072		BRACKET, Frame Brace	<i>Used on 48" Deck Models</i>
75	7090731	2	BOLT, 5/16-18 x 5/8" Short Neck Carriage, Grade 5	<i>Used on 48" Deck Models</i>
76	7091541	2	SCREW, 5/16-18 x 3/4" Self-Tap	<i>Was 90368 (Used on 48" Deck Models)</i>
77	7091593		COTTER PIN, 1/16 x 1-7/32" Self Lock	<i>Was 24159, Used on 48" Deck Models</i>
78	7072598		BRACKET, Mounting Brace	
79	7090316	2	BOLT, 5/16-18 x 3/4" Carriage,	<i>Was 91097</i>
80	7091497		SCREW, 3/8-16 x 1-1/2" Cap, Grade 5	
81	7024344		PULLEY, Idler V 3.30 HA	
82	7091585		NUT, 3/8-16 Hex Center Lock	
83	7027139		LINKAGE	
84	7073608		ROD, Shift Linkage	
85	7091540		SCREW, 5/16-18 x 1-1/2" Cap	<i>Was 91066</i>
86	7029973		SPACER	
87	7091575		NUT, 5/16-18 Hex Center Lock	
	7046754		WASHER, Pivot, Stiffener (Not shown)	

Footnotes:

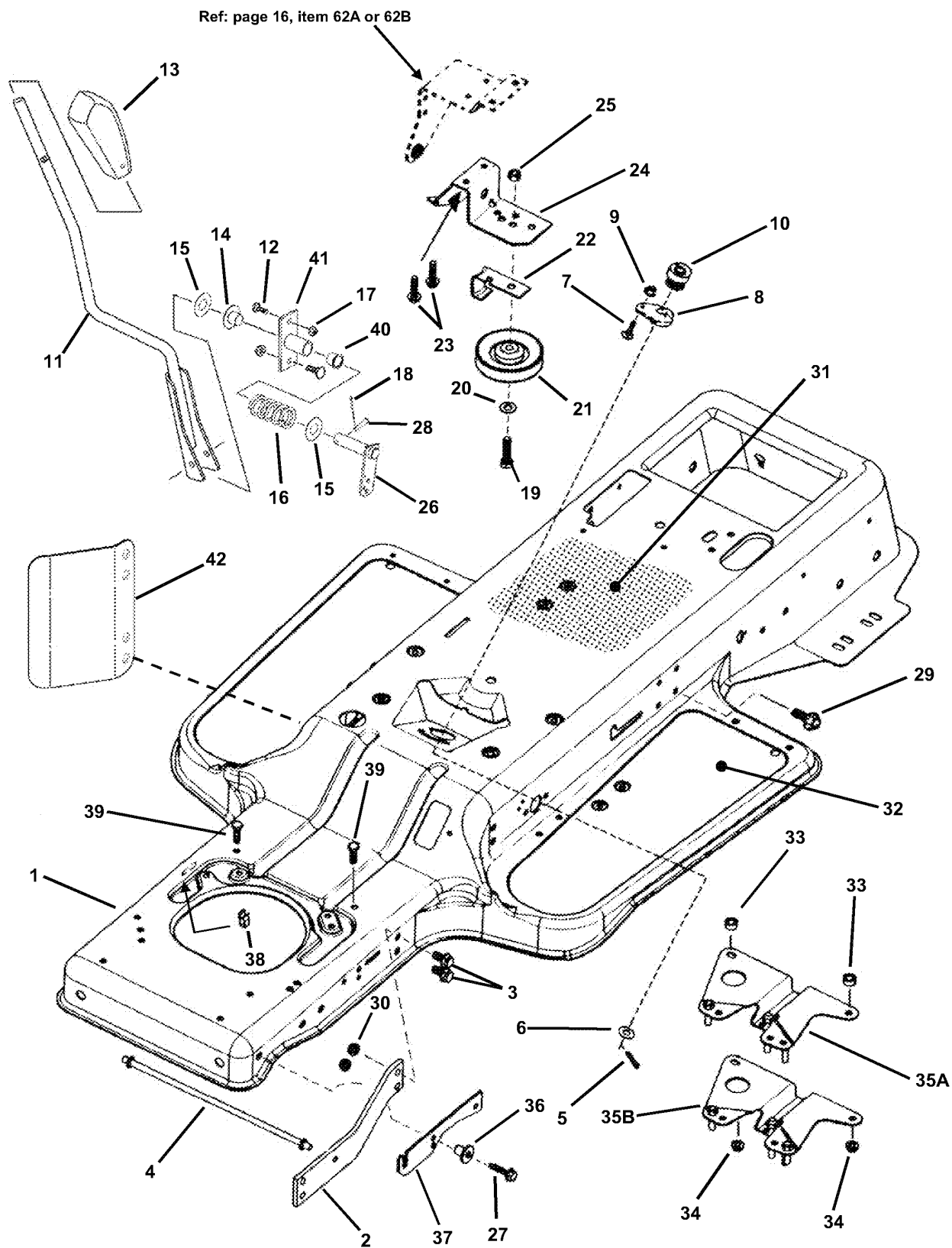


Frame, Clutch, Brake & Steering Components (Part 2)

Item	Part No	Qty	Description	Note
21	7090122	2	WASHER, 3/8 Bright Zinc, Flat	
62B	7047068		BRACKET, Rear Lift/PTO Lever	<i>Used on 48" Deck Models</i>
63B	7046758		LINK, Lift	<i>Used on 48" Deck Models</i>
65B	7047055		BRACKET, Rear Hanger- LH	<i>Used on 48" Deck Models</i>
66B	7047052		WELDMENT, Rear Lift	<i>Used on 48" Deck Models</i>
77	7091593		COTTER PIN, 1/16 x 1-7/32" Self Lock	<i>Was 24159, Used on 48" Deck Models</i>

Footnotes:

Blade Engagement & Transmission Controls

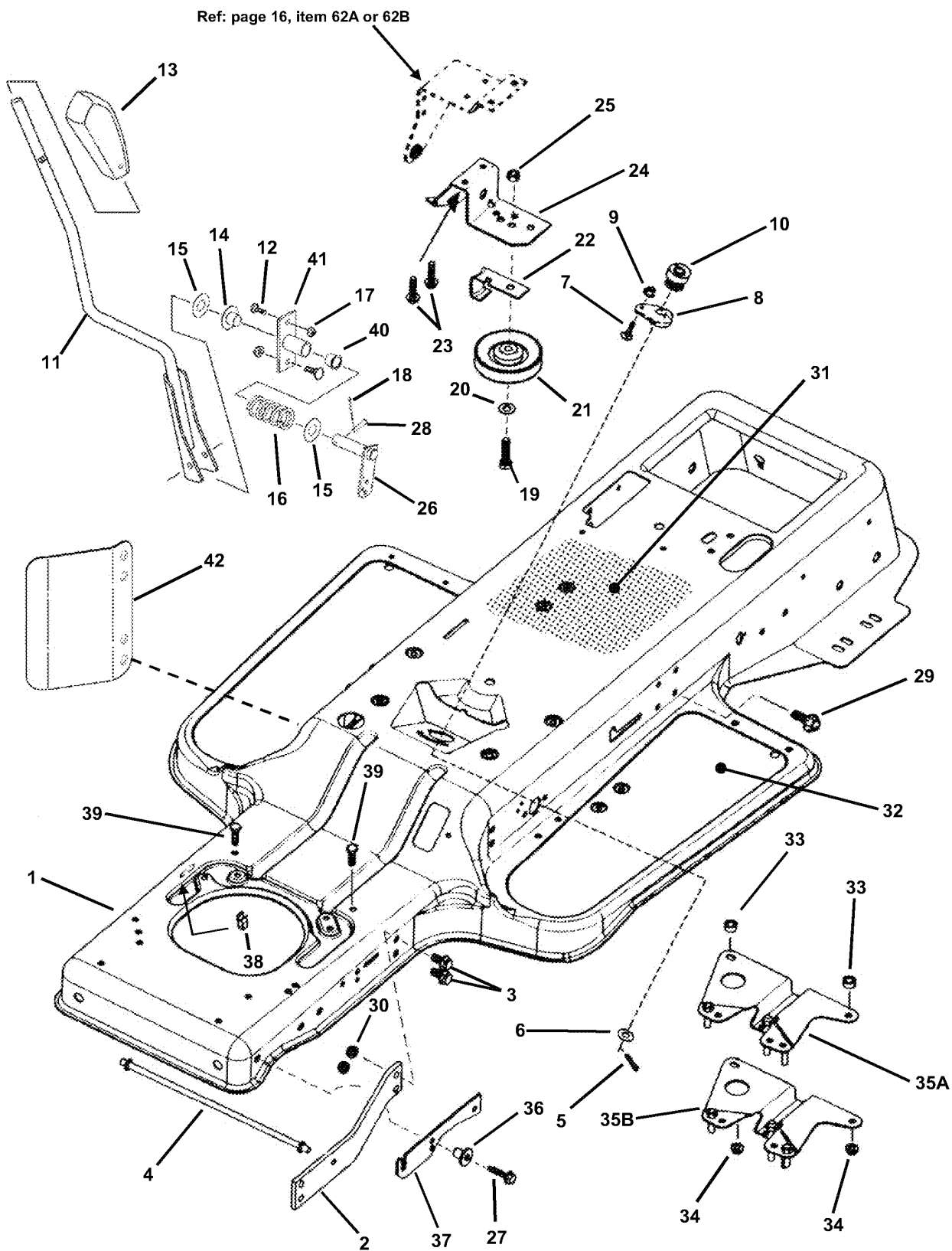


Blade Engagement & Transmission Controls

Item	Part No	Qty	Description	Note
1	7073345		FRAME, Tractor (1 Piece)	
2	7046899	2	BRACE, Frame- 48"	
3	7091588	8	BOLT, 3/8-16 x 3/4" Hex Flange Lock	Was 90612
4	7046900		GUIDE, Belt- 48"	
5	7091598		COTTER-PIN, 1/8 x 3/4"	
6	7014296		WASHER, 1/2 Shim	
7	7091573		BOLT, 1/4-20 x 5/8" Short Neck Carriage, Grade 5	
8	7052562		ASSEMBLY, Steering Adjuster	
9	7091584		NUT, 1/4-20 Hex Flange Lock, Grade 5	
10	7022368		GEAR, Steering Pinion	
11	7058874		LEVER, Shift	
12	7091508	2	BOLT, 5/16-18 x 3/4" Carriage	
13	7023656		KNOB, Deck Lift Lever	
14	7019245		BUSHING, 3/4 Flange	
15	7031036		WASHER, Thrust	
16	7010754		SPRING, Shift Detent	
17	7091601	2	NUT, 5/16-18 Flange Lock	
18	7091597		PIN, 3/32 x 3/4" Cotter	Was 90037
19	7091497		SCREW, 3/8-16 x 1-1/2" Hex Head Cap, Grade 5	
20	7090122		WASHER, 3/8" Flat	Was 91514
21	7024344		PULLEY, Idler	
22	7033556		GUIDE, Pulley Belt	
23	7091524	3	SCREW, 5/16-18 x 1-1/4" Swage	
24	7035524		SUPPORT, PTO Lever	
25	7091585	2	NUT, 3/8-16 Hex Center Lock, Grade 5	
26	7040598		STRUCTURE, Arm	
27	7091524	4	SCREW, 5/16-18 x 1-1/4" Self-Tapping	Was 91151
28	7023914		PIN, 1/4 x 1-5/8" Clevis	
29	7090361	7	SCREW, 5/16-18 x 5/8" Hex Washer Self-Tap	
30	7091619	8	NUT, 3/8-16 Hex Flange Lock	Was 90613
31	7072755		DECAL, Instruction Frame Top (EC)	
32	7028203	2	PAD, Foot (Rubber Deluxe)	
33	7028620	2	SPACER, 11/32 x 5/8 x 5/16"	
34	7091601	2	NUT, 5/16-18 Hex Flange Lock, Grade 5	Was 90585
35A	7059045		ASSEMBLY, Anti-Spin/Belt Guide	(For 42" Deck)
35B	7059042		ASSEMBLY, Anti-Spin/Belt Guide	(For 48" Deck)
36	7024616	2	BUSHING, Flange	

Footnotes:

Blade Engagement & Transmission Controls

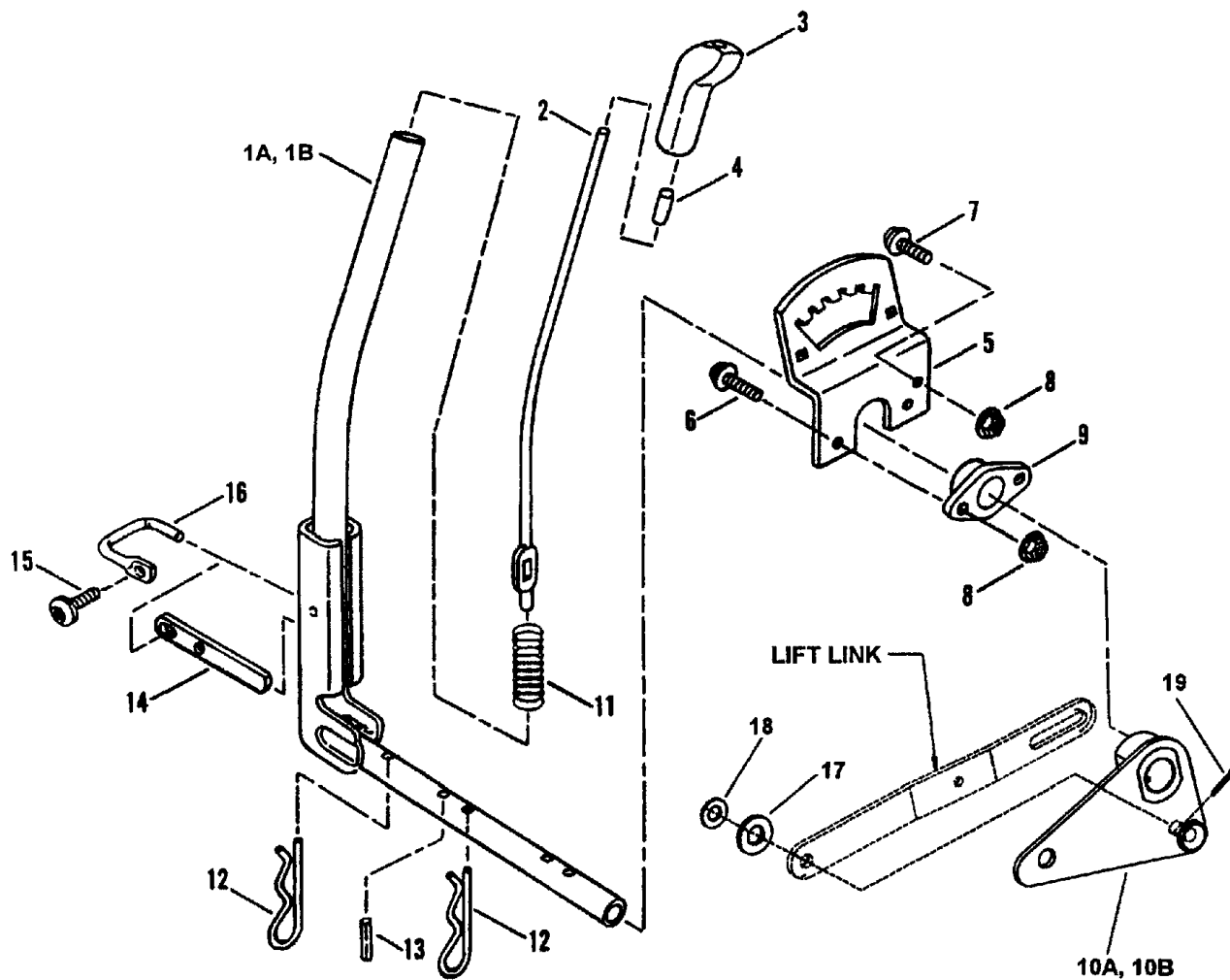


Blade Engagement & Transmission Controls

Item	Part No	Qty	Description	Note
37	7033488		BRACKET, Hood Pivot	
38	7028630		CLIP, Wire	
39	7090209	2	SCREW, 5/16-18 x 1" Hex Head Cap, Grade 2	
40	7019246		BUSHING, 3/4 Flange	
41	7058876		WELDMENT, Pivot Plate	
42	7073835		SHIELD, Heat (Foot Rest)	

Footnotes:

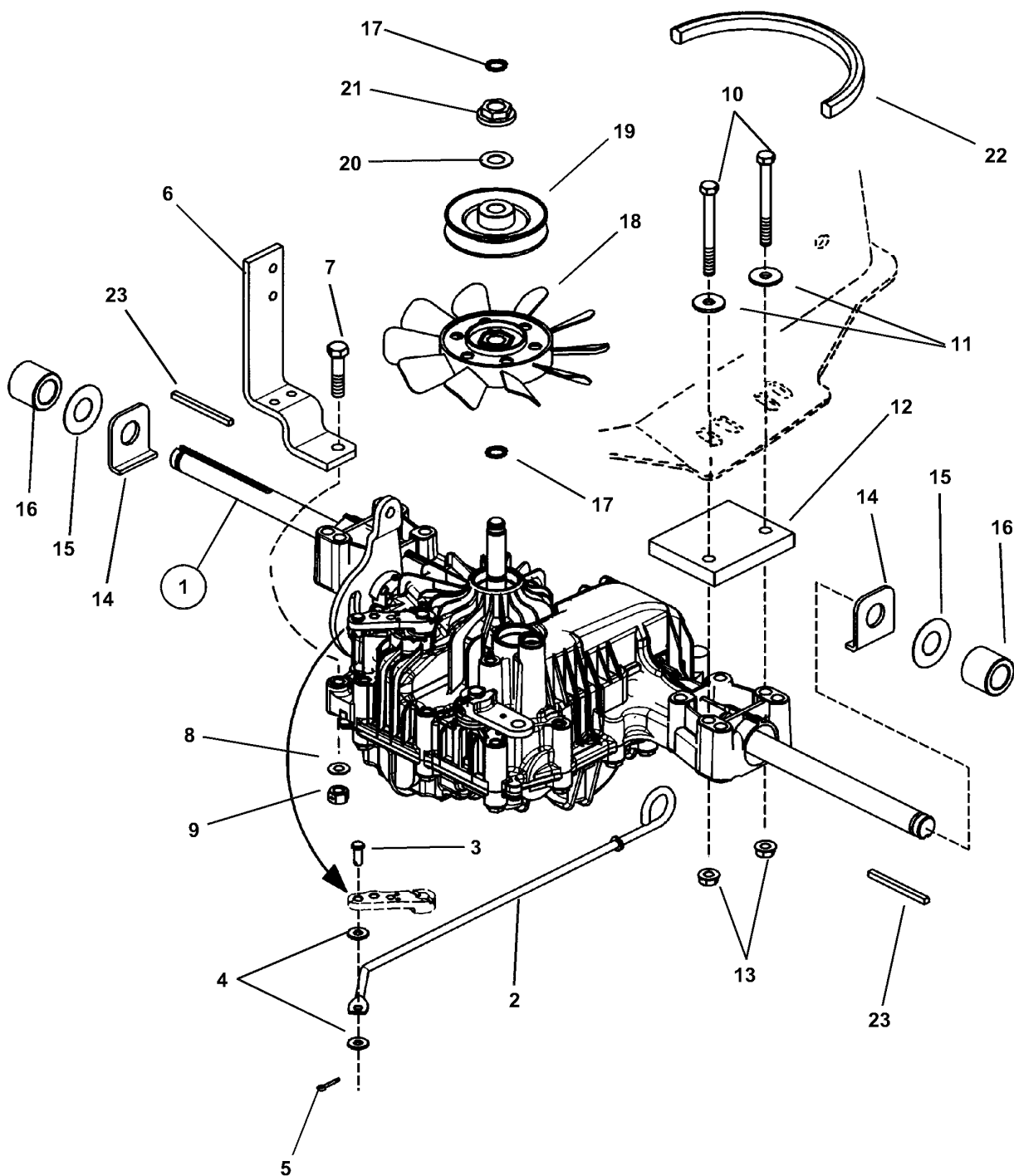
Implement Lift Arms



Implement Lift Arms

Item	Part No	Qty	Description	Note
1A	7041655		LEVER, Implement Lift	(Models: LT160H42GBV & LT160H42GBV2)
1B	7058258		LEVER, Implement Lift	(Model LT180H48GBV2) (Not shown)
2	7022565		ROD, Lift Lever	
3	7019363		KNOB, Lift Lever	
4	7014361		CAP, Lift Lever Rod	
5	7033449		QUADRANT, Lift Lever	
6	7091000	2	SCREW, 5/16-18 x 7/8" Truss Head (Torx)	
7	7091001		SCREW, 5/16-18 x 5/8" Truss Head (Torx)	
8	7091601	2	NUT, 5/16-18 Hex Flange Lock, Grade 5	Was 90585
9	7022567		PIVOT, Lift Lever	
10A	7041255		BELLCRANK, Lift Lever	
10B	7047137		BELLCRANK, Lift Lever	(Model LT180H48GBV2)
11	7022566		SPRING, Latch Detent	
12	7091596	2	PIN, Hair, 5/32 x 2-5/8"	Was 13844
13	7022895		PIN, Dowel, 1/4 x 1-1/8"	
14	7022568		DETENT, Latch	
15	7090999		SCREW, 1/4-20 x 5/8" Truss Head (Torx)	
16	7024742		LATCH, Pivot	
17	7091587		WASHER, 1/2" Flat	
18	7090122		WASHER, 3/8" Flat	Was 91514
19	7091597		PIN, 3/32 x 3/4" Cotter	

Footnotes:



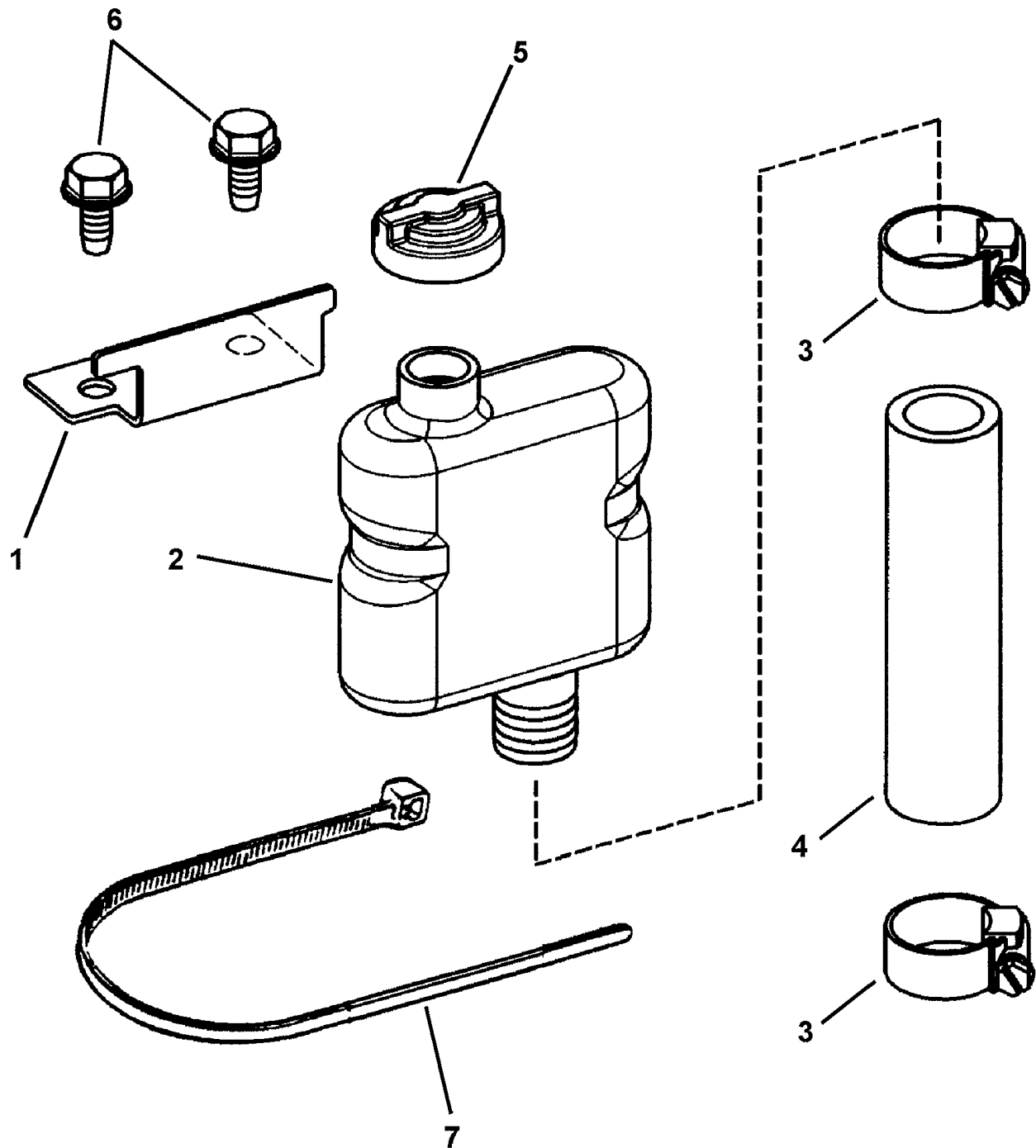
Transmission Group (Hydro Drive)

Item	Part No	Qty	Description	Note
1	7074398		ASSEMBLY, Transaxle, Tuff Torq (Models: LT160H42GBV & LT160H42GBV2)	Was 73684
2	7072387		ROD, Roll Release (K46)	
3	7091708		PIN, Clevis 1/4" x 5/8"	
4	7091294	2	WASHER, 1/4 x 5/8 x 1/16" Flat	Was 90055
5	7091597		PIN, 3/32" x 1/2" Cotter	Was 90555
6	7072601		BRACKET, Torque	
7	7091497		SCREW, 3/8-16 x 1-1/2" Hex Head Cap, Grade 5	
8	7090188		WASHER, 5/16 x 11/16 x 1/16", Grade 5	Was 91296
9	7091585		NUT, 3/8-16 Hex Center Lock	
10	7091830	4	SCREW, 5/16-18 x 3-1/4" Hex Head Cap, Grade 5	
11	7091675	4	WASHER, 5/16" Flat	
12	7073613		SPACER, Hydro Axle- K46	
13	7091601	4	NUT, 5/16-18 Hex Flange Lock Grade 5	
14	7072884	2	WASHER, Axle	
15	7031036	2	WASHER, Thrust	
16	7072385	2	SPACER, Axle	
17		2	* RING, E 15 (Vendor # 192154-89090)	
18			* FAN (Vendor # 1A6460-83050)	
19	7073800		PULLEY, 4" Diameter (Vendor # 1A6460-25333)	
20			* WASHER, Wave (Vendor # 1A6460-83060)	
21			* SPACER (Vendor # 1A6460-25300)	
22	7073834		BELT, Traction Drive (HA Section, 96.60 Effective Length)	
23	7072386	2	KEY, 3/16" Square x 2-3/16" long	

Footnotes:

NOTE: * Snapper numbers are not available for these items at this time. Order from Tuff-Torq (for Model K46)

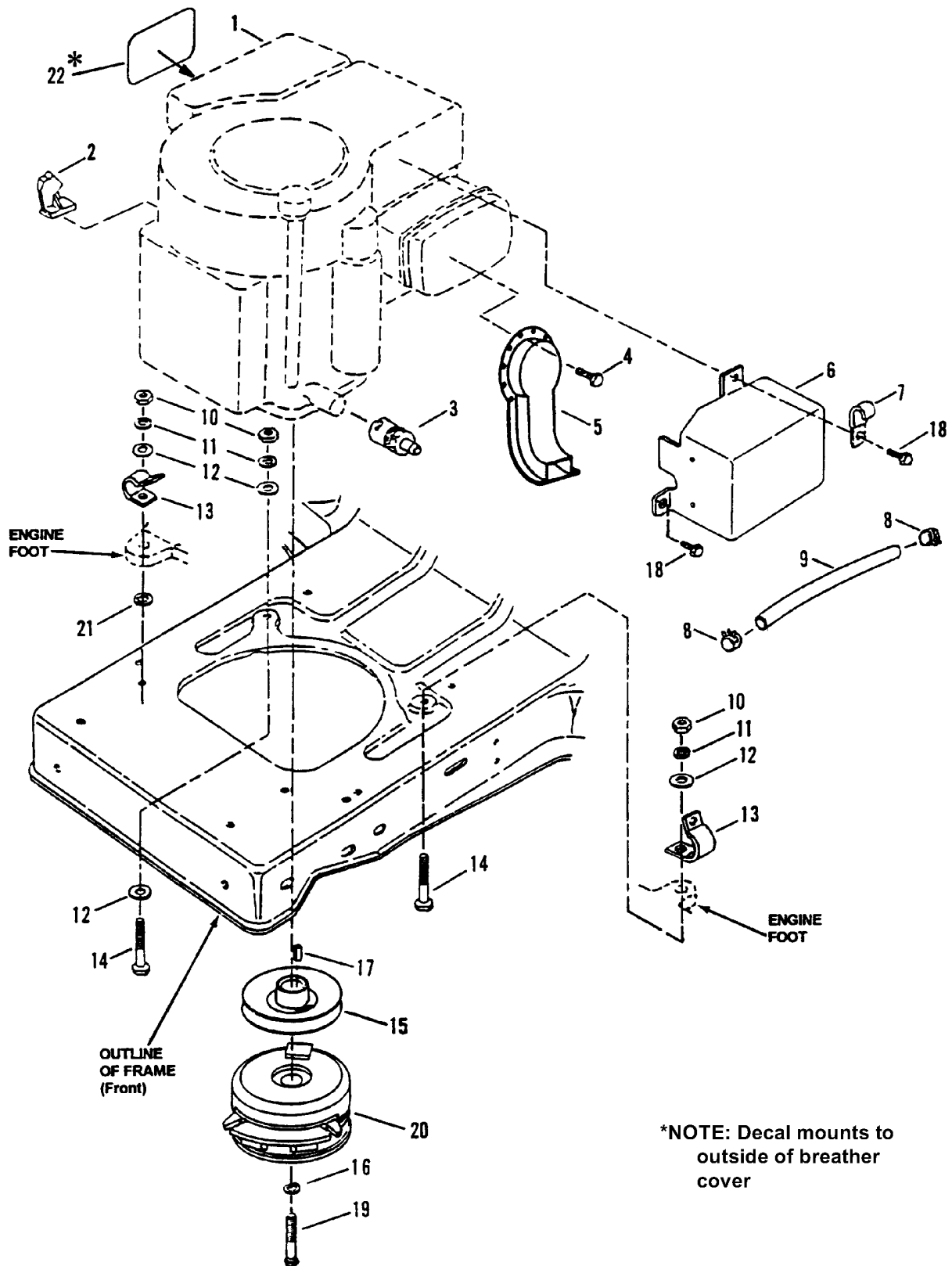
Hydro Reservoir Assembly



Hydro Reservoir Assembly

Item	Part No	Qty	Description	Note
1	7072739		BRACKET, Reservoir Mounting	
2	7072736		RESERVOIR, Expansion	
3	7016130	2	CLAMP, 1 3/16"	
4	7072901		HOSE, Hydraulic 4-1/2" Long	
5	7091431		VALVE, Vent	
6	7090858	2	BOLT, 5/16-18 x 1/2" Hex Washer Self-Tap	
7	7072914		CABLE TIE, 9"	

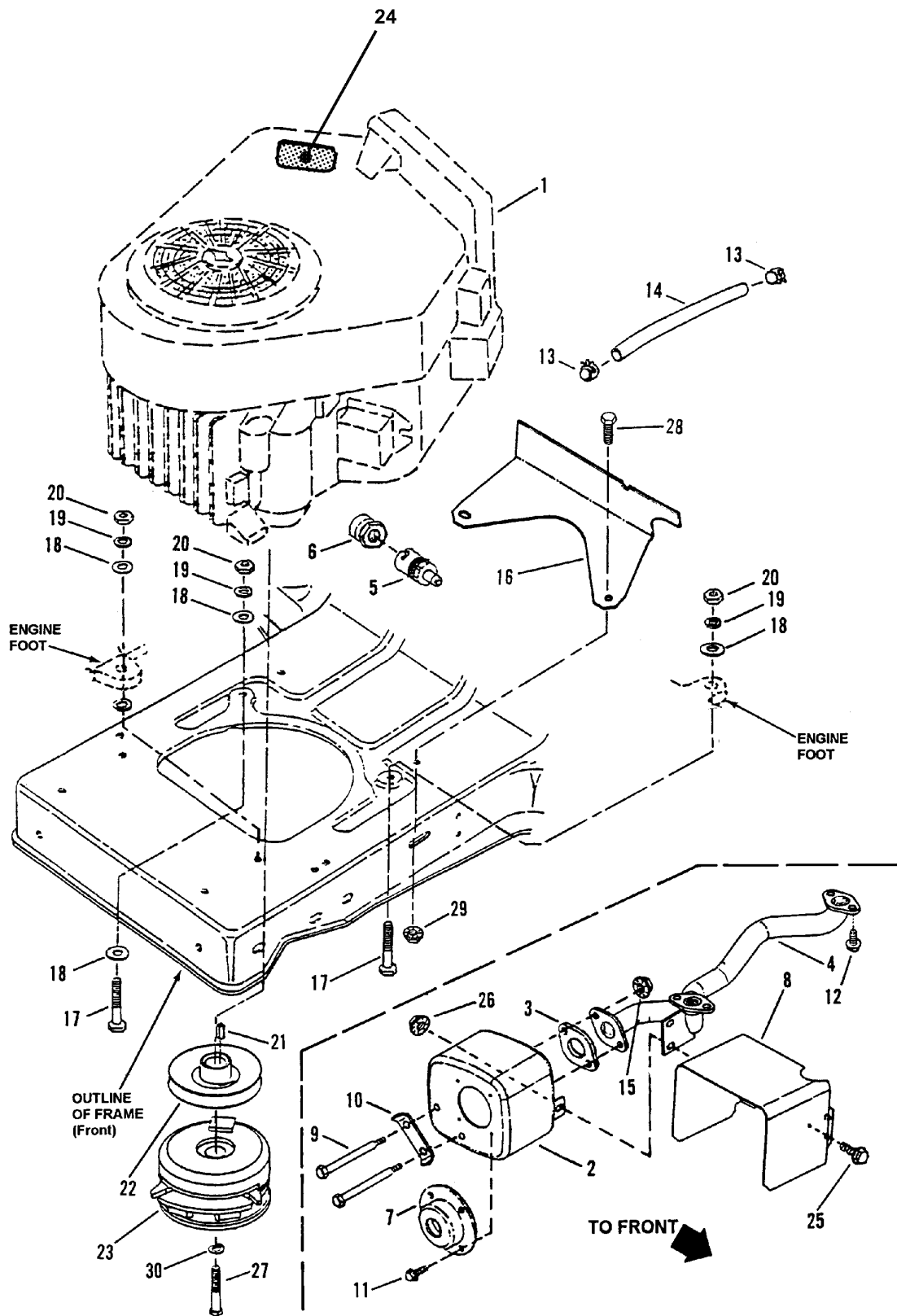
Footnotes:



Engine Components

Item	Part No	Qty	Description	Note
1	--		ENGINE, B. & S. 16.0 HP OHV, Model 28Q777, Type 0679, Trim E1 (Model: LT160H42GBV)	
2	7025079		CLIP, Speed	
3	7027972		ASSEMBLY, Oil Valve	
4	7091581	3	SCREW, #8-18 x 1/2" Hex Head, Self-Tapping	
5	7041537		EXTENSION, Muffler	
6	7041269		HEAT SHIELD, Muffler	
7	7026482		CLIP, "J" Type	
8	7029900	2	CLAMP, Fuel Line	Was 12222
9	7029982		LINE, Fuel, 14" Long	
10	7091511	4	NUT, 5/16-18 Hex, Grade 5 or B	
11	7091315	4	WASHER, 5/16 Split Lock	
12	7090188	5	WASHER, 5/16 Flat	Was 91296
13	7015861	2	CLIP, Wiring Harness	
14	7090669	2	SCREW, 5/16-18 x 1-3/4" Hex Head Cap, Grade 5	
15	7073799		PULLEY, Traction Drive	
16	7091301		WASHER, 7/16 Split Lock	
17	7016755		KEY, 1/4 Square x 3/4"	
18	7091579	2	BOLT, 1/4-20 x 1/2" Hex Flange Lock, Grade 5	
19	7091703		SCREW, 7/16-20 x 2-1/2" Hex Head Cap, Special, Grade 5	
20	7053740		CLUTCH/BRAKE	
21	7090391		WASHER, 5/16 Internal Tooth Lock	
22	7073231		DECAL, Warning Speed Setting	

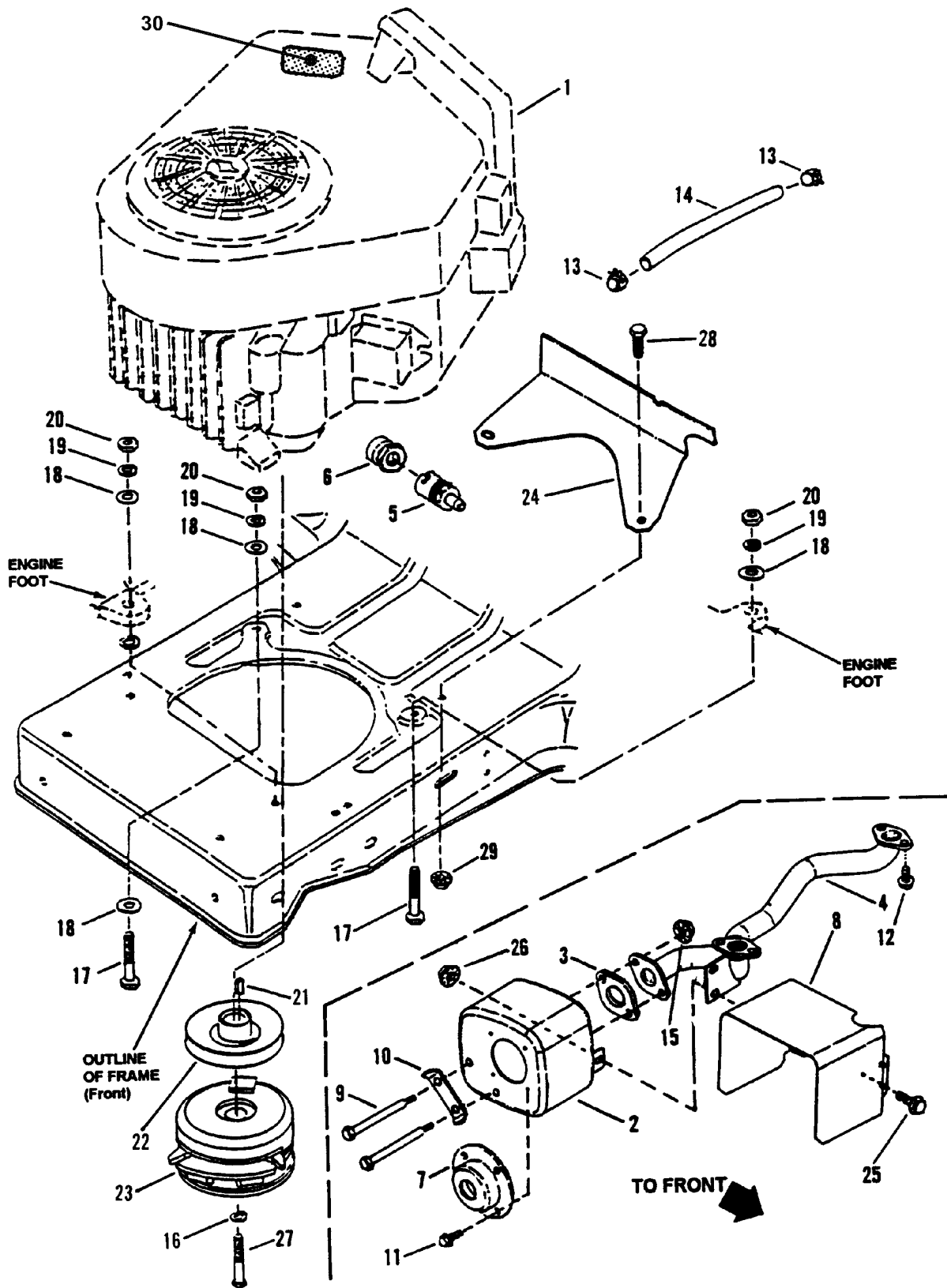
Footnotes:



Engine Components

Item	Part No	Qty	Description	Note
1	--		ENGINE, B. & S., 16.0 HP V-Twin, Model 303777, Type 1163, Trim E1	<i>PURCHASE ENGINE & ENGINE PARTS OTHER THAN THOSE LISTED, FROM ENGINE SERVICE OUTLETS.</i>
2	7024241		MUFFLER	
3	7014509		GASKET, Muffler/Exhaust	
4	7041742		MANIFOLD, Exhaust	
5	7027972		ASSEMBLY, Oil Valve Drain	
6	7022486		EXTENSION, Oil Drain	
7	7026778		DEFLECTOR, Exhaust	
8	7034767		SHIELD, Muffler Heat	
9	7024161	2	BOLT, 5/16-18 x 3-1/2" Shoulder, Hex Head	
10	7024566		LOCK, Screw	
11	7091581	4	SCREW, #8-18 x 1/2" Self-Tapping	
12	7090858	4	SCREW, 5/16-18 x 1/2" Hex Washer Head, Self Tapping	
13	7029900	2	CLAMP, Fuel Line	<i>Was 12222</i>
14	7029982		LINE, Fuel, 14" Long	
15	7091601		NUT, 5/16-18 Hex Flanged Lock, Grade 5	
16	7034762		SHIELD, Heat	
17	7090669	2	SCREW, 5/16-18 x 1-3/4" Hex Head Cap, Grade 5	
18	7090188	4	WASHER, 5/16 Flat Grade 5	<i>Was 91296</i>
19	7091315	2	WASHER, 5/16 Split Lock	
20	7091511	2	NUT, 5/16-18 Hex Grade 5 or B	
21	7016755		KEY, 1/4 x 1/4 x 3/4" Square	
22	7073799		PULLEY, Traction Drive	
23	7053740		CLUTCH/BRAKE	
24	7073231		DECAL, Warning Speed Setting	
25	7090072	2	SCREW, 1/4-20 x 5/8" Hex Head Cap, Grade 5	<i>Was 27172</i>
26	7091584	2	NUT, 1/4 -20 Hex Flanged Lock, Grade 5	
27	7091703		SCREW, 7/16-20 x 2-1/2 Hex Head Cap, Special, Grade 5	
28	7090209	2	SCREW, 5/16-18 x 1" Hex Head Cap, Grade 2	
29	7091601	2	NUT, 5/16-18 Hex Flange Lock, Grade 5	<i>Was 90585</i>
30	7091301		WASHER, 7/16 Split Lock	

Footnotes:

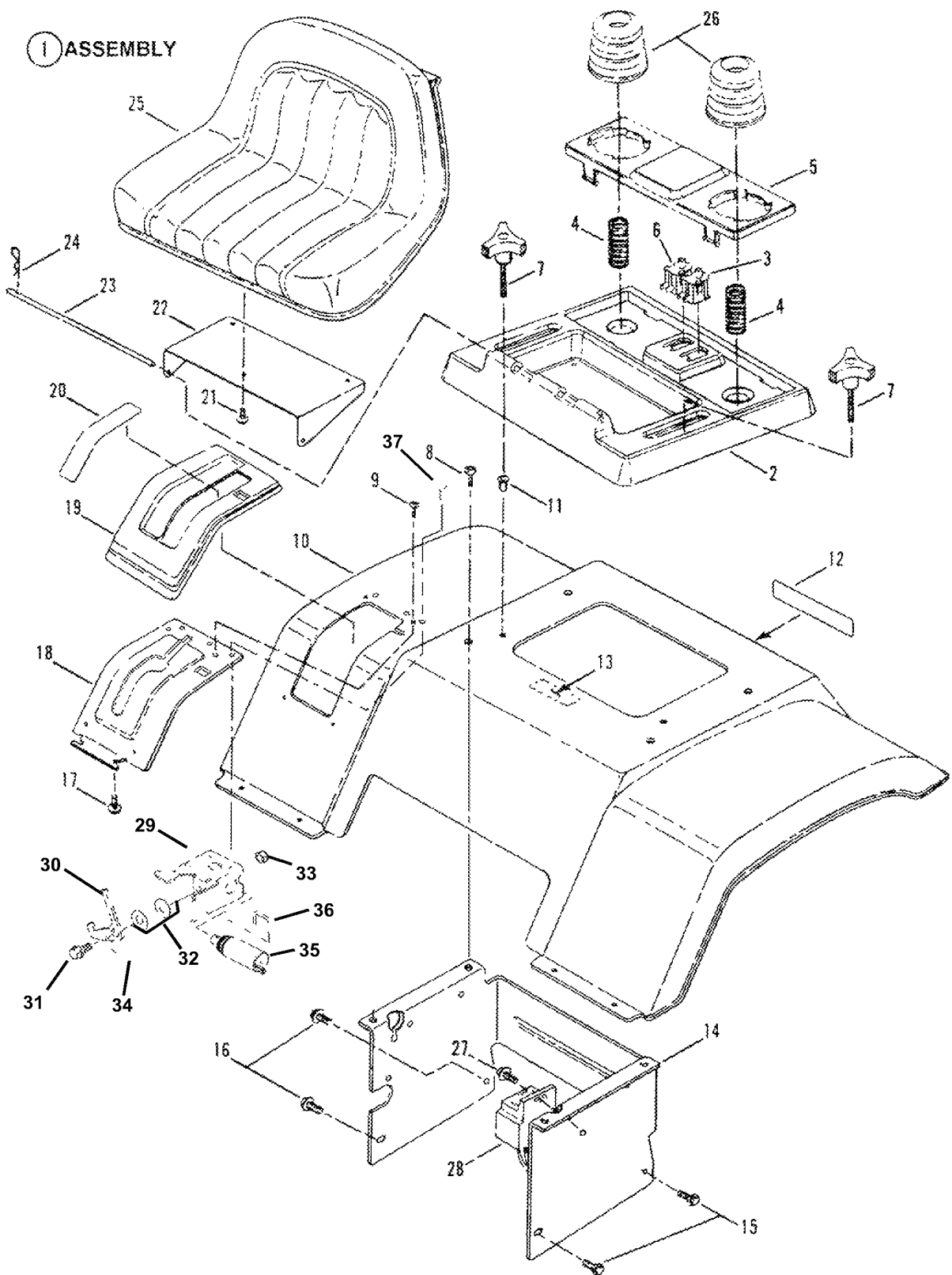


Engine Components

Item	Part No	Qty	Description	Note
1	--		ENGINE, B. & S., 18.0 HP V-Twin, Model 350777, Type 1143, Trim E1	<i>PURCHASE ENGINE & ENGINE PARTS OTHER THAN THOSE LISTED, FROM ENGINE SERVICE OUTLETS.</i>
2	7024241		MUFFLER	
3	7014509		GASKET, Muffler/Exhaust	
4	7041742		MANIFOLD, Exhaust	
5	7027972		ASSEMBLY, Oil Valve Drain	
6	7022486		EXTENSION, Oil Drain	
7	7026778		DEFLECTOR, Exhaust	
8	7034767		SHIELD, Muffler Heat	
9	7024161	2	BOLT, 5/16-18 x 3-1/2" Shoulder, Hex Head	
10	7024566		LOCK, Screw	
11	7091581	4	SCREW, #8-18 x 1/2" Self-Tapping	
12	7090858	4	SCREW, 5/16-18 x 1/2" Hex Washer Head, Self Tapping	
13	7029900	2	CLAMP, Fuel Line	<i>Was 12222</i>
14	7029982		LINE, Fuel, 14" Long	
15	7091601		NUT, 5/16-18 Hex Flanged Lock, Grade 5	
16	7091301		WASHER, 7/16" Split Lock	
17	7090669	2	SCREW, 5/16-18 x 1-3/4" Hex Head Cap, Grade 5	
18	7090188	4	WASHER, 5/16 Flat Grade 5	<i>Was 91296</i>
19	7091315	2	WASHER, 5/16 Split Lock	
20	7091511	2	NUT, 5/16-18 Hex Grade 5 or B	
21	7016755		KEY, 1/4 x 1/4 x 3/4" Square	
22	7073799		PULLEY, Traction Drive	
23	7053740		CLUTCH/BRAKE	
24	7034762		SHIELD, Heat	
25	7090072	2	SCREW, 1/4-20 x 5/8" Hex Head Cap, Grade 5	<i>Was 27172</i>
26	7091584	2	NUT, 1/4 -20 Hex Flanged Lock, Grade 5	
27	7091703		SCREW, 7/16-20 x 2-1/2 Hex Head Cap, Special, Grade 5	
28	7090209	2	SCREW, 5/16-18 x 1" Hex Head Cap, Grade 2	
29	7091601	2	NUT, 5/16-18 Hex Flange Lock, Grade 5	<i>Was 90585</i>
30	7073231		DECAL, Warning Speed Setting	

Footnotes:

Seat, Rear Fender & Components

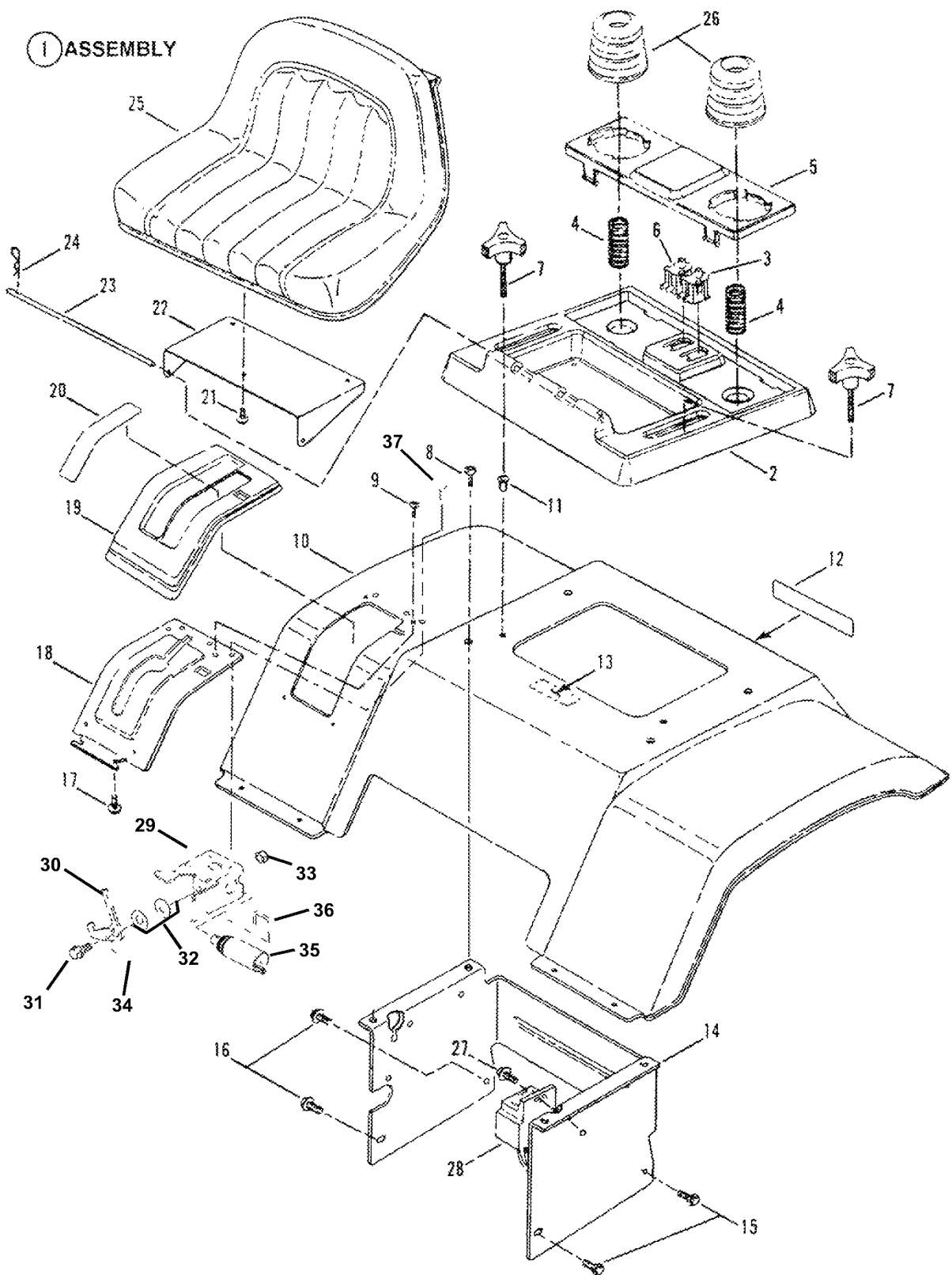


Seat, Rear Fender & Components

Item	Part No	Qty	Description	Note
1	7059214		ASSEMBLY, Seat Support	Was 53745 (Includes 2, 3, 4, 5, & 6)
2	7074204		SUPPORT, Seat	Was 28579
3	7023354		SWITCH, Seat, Gray, (N.C.)	
4	7073266	2	SPRING, Cushion Holder	
5	7028580		HOLDER, Cushion	
6	7015707		SWITCH, Seat, Black, (N.O.)	
7	7017875	2	KNOB, Seat Adjustment, 5/16-18 x 2"	
8	7091001	4	SCREW, 5/16-18 X 5/8" Truss Head Torx	
9	7091819	4	SCREW, 1/4-20 x 5/8" Hex Washer Head, Self-Tapping	Was 90362
10	7073348		PAN, Seat (Fender)	
11	7091761	2	RIV-NUT, 5/16-18 Round	
12	7022971		DECAL - SNAPPER, 7.28" Molded Logo, Silver Letters & Blue Stripe	
13	7026415		DECAL - CAUTION, Battery Location	
14	7073346		SUPPORT, Fender	
15	7091523		SCREW, 5/16/18 x 5/8" Hex Washer Head, Swage Form	
17	7091105	4	SCREW, #10-16 x 1/2" Hex Washer Head, Self-Tapping	
18	7073347		DETENT, Shift	
19	7073408		COVER, Shift	
20	7073424		DECAL, Shift Cover	
21	7091525	3	BOLT, 5/16-18 x 1/2" Hex Flange Lock, Grade 5	
22	7033318		BRACKET, Seat Support	
23	7074452		ROD, Seat Hinge	Was 33435
24	7091503		PIN, 3/32 x 1-1/2" Hair	
25	7035579		SEAT, Operator, V560	
26	7019109	2	CUSHION, Seat	
27	7090913		SCREW, #10-24 x 1/2" Hex Washer Self-Tap (Torx)	
28	7028571		RECEPTACLE, Female Wire Harness Relay (Model: LT160H42GBV)	
	7028520		RECEPTACLE, Female Wire Harness Relay (Models: LT160H42GBV2 & LT180H48GBV2)	
29	7058851		ASSEMBLY, Lockout Latch/Stop	
30	7073306		OVERRIDE, Latch	
31	7015761		BOLT, 5/16-18 x 3/4" Shoulder	
32	7090953	3	WASHER, 5/16 Flat	
33	7091298		NUT, 5/16-18 Hex Top Lock	
34	7073223		SPRING	
35	7073307		SOLENOID, Electric	
36	7073308		ROD, Connecting	

Footnotes:

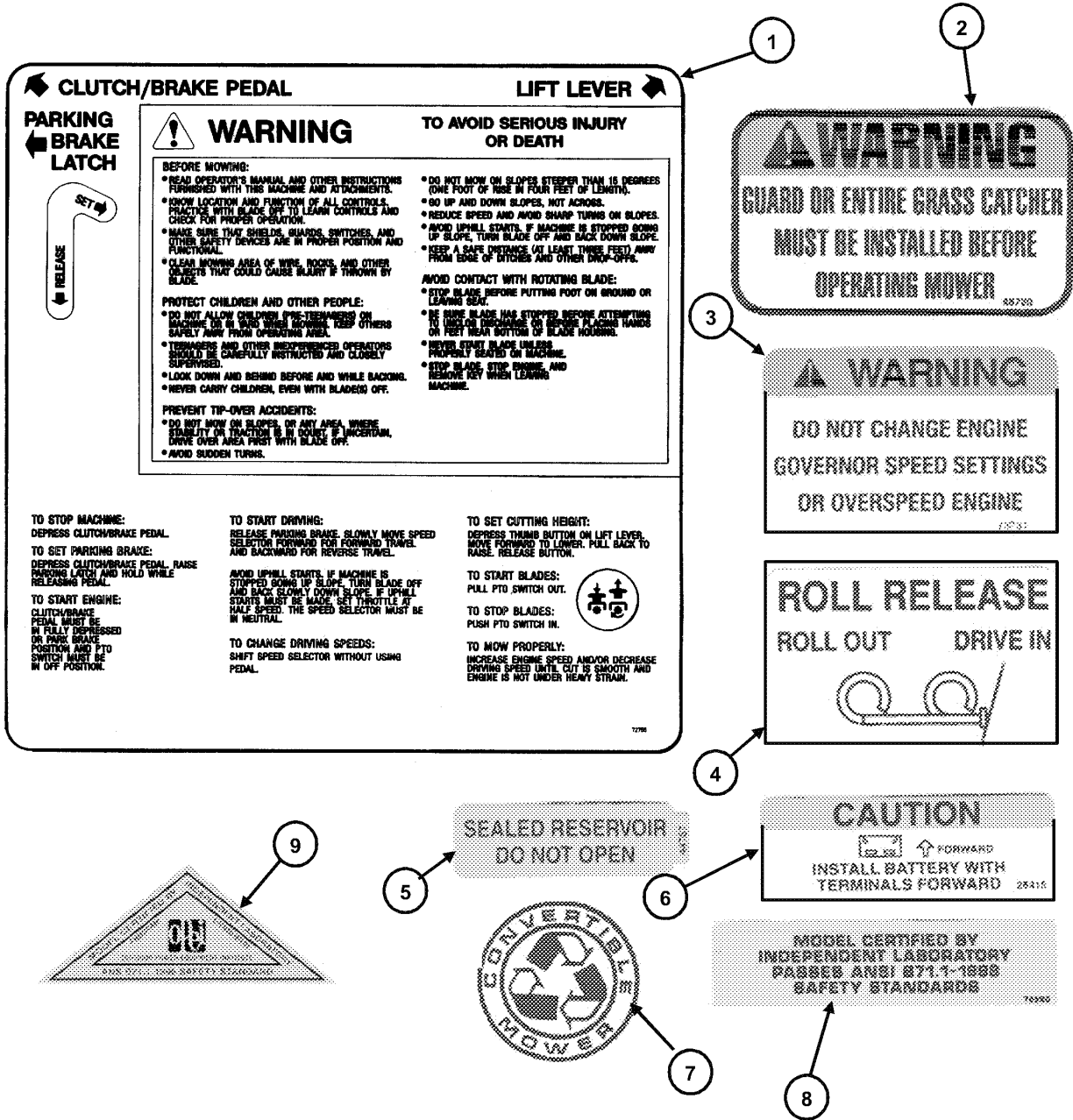
Seat, Rear Fender & Components



Seat, Rear Fender & Components

Item	Part No	Qty	Description	Note
37	7090913	2	SCREW, #10-24 x 1/2" Hex Washer Self-Tap (Torx)	<i>Was 90307</i>

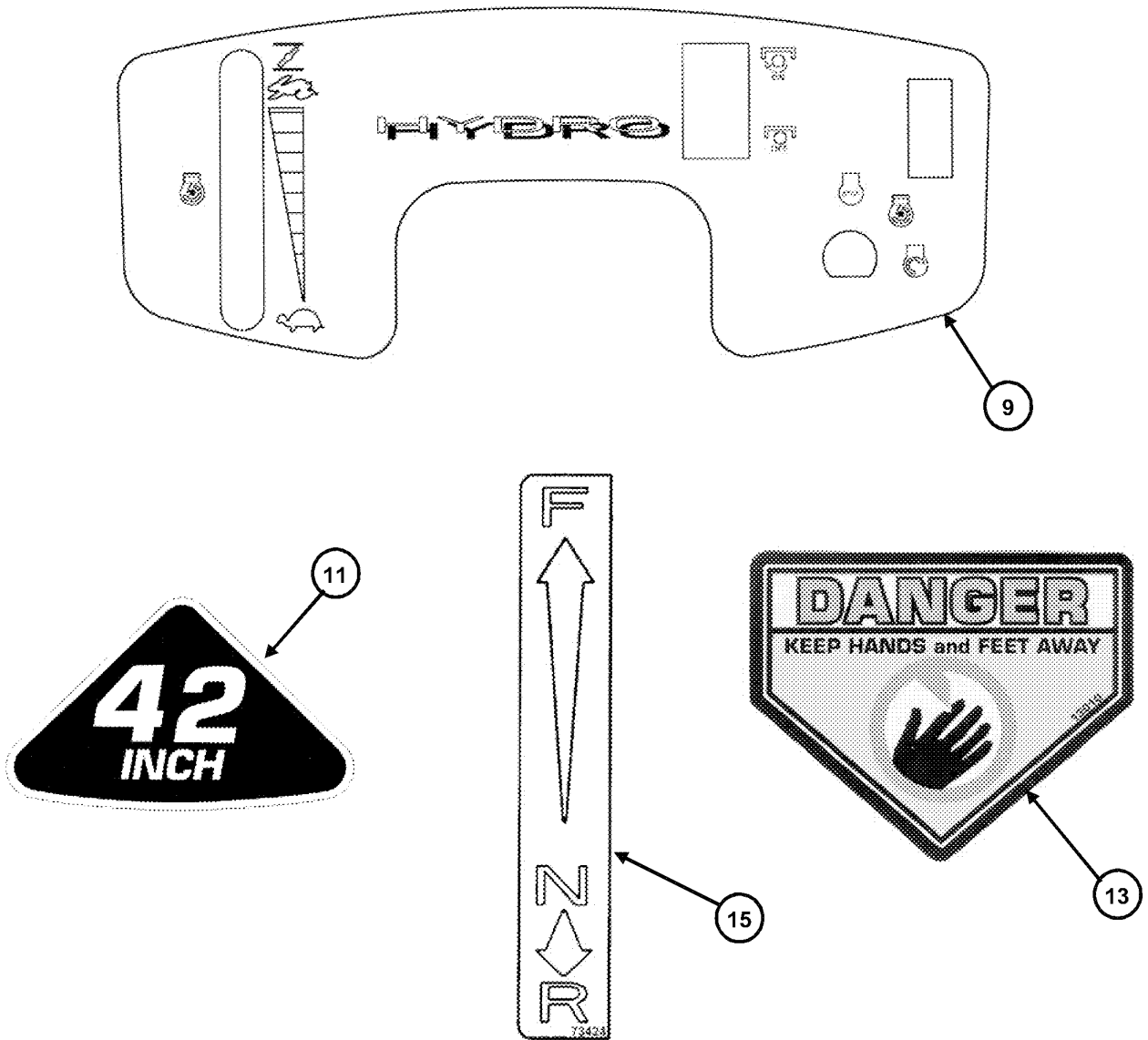
Footnotes:



Decals (Part 1)

Item	Part No	Qty	Description	Note
1	7072755		DECAL, Instruction Frame Top	
2	7046720		DECAL, Chute/Deflector	
3	7073231		DECAL, Warning Speed Setting	
4	7072749		DECAL, Roll Release	
5	7044767		DECAL, Hydro Reservoir	
6	7026415		DECAL, Caution Battery Location	
7	7026377		LOGO, Medallion	<i>Was 71544</i>
8	7072920		DECAL, Certification, B71.1-1998	
9	7073335		DECAL, OPEI	

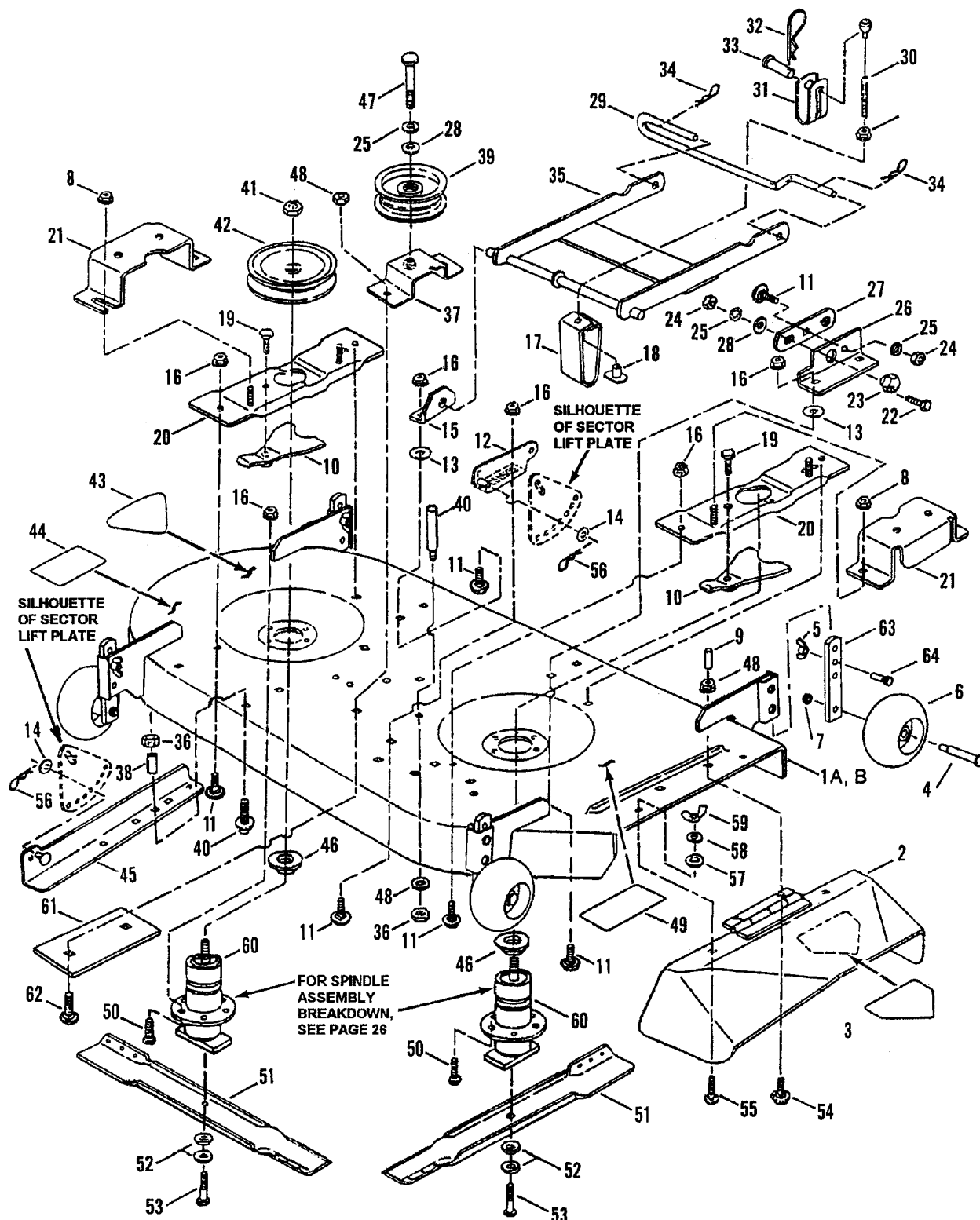
Footnotes:



Decals (Part 2)

Item	Part No	Qty	Description	Note
9	7073507		DECAL, Console w/Headlights (All except LT180H48GBV2)	
	7073508		DECAL, Console w/Indicator Lights (LT180H48GBV2 Only)	
10	7028563		DECAL, Console Indicators	<i>(Not shown, outline same as item 9)</i>
11	7024910		DECAL, 42" Deck	
12	7024431		DECAL, 48" Deck	<i>(Not shown, similar to item 11)</i>
13	7013010		DECAL, Danger CPSC	
14	7013010		DECAL, Danger	<i>Was 26831 (Not shown, same as item 13 but with heavy adhesive)</i>
15	7073424		DECAL, Shift Cover	

Footnotes:

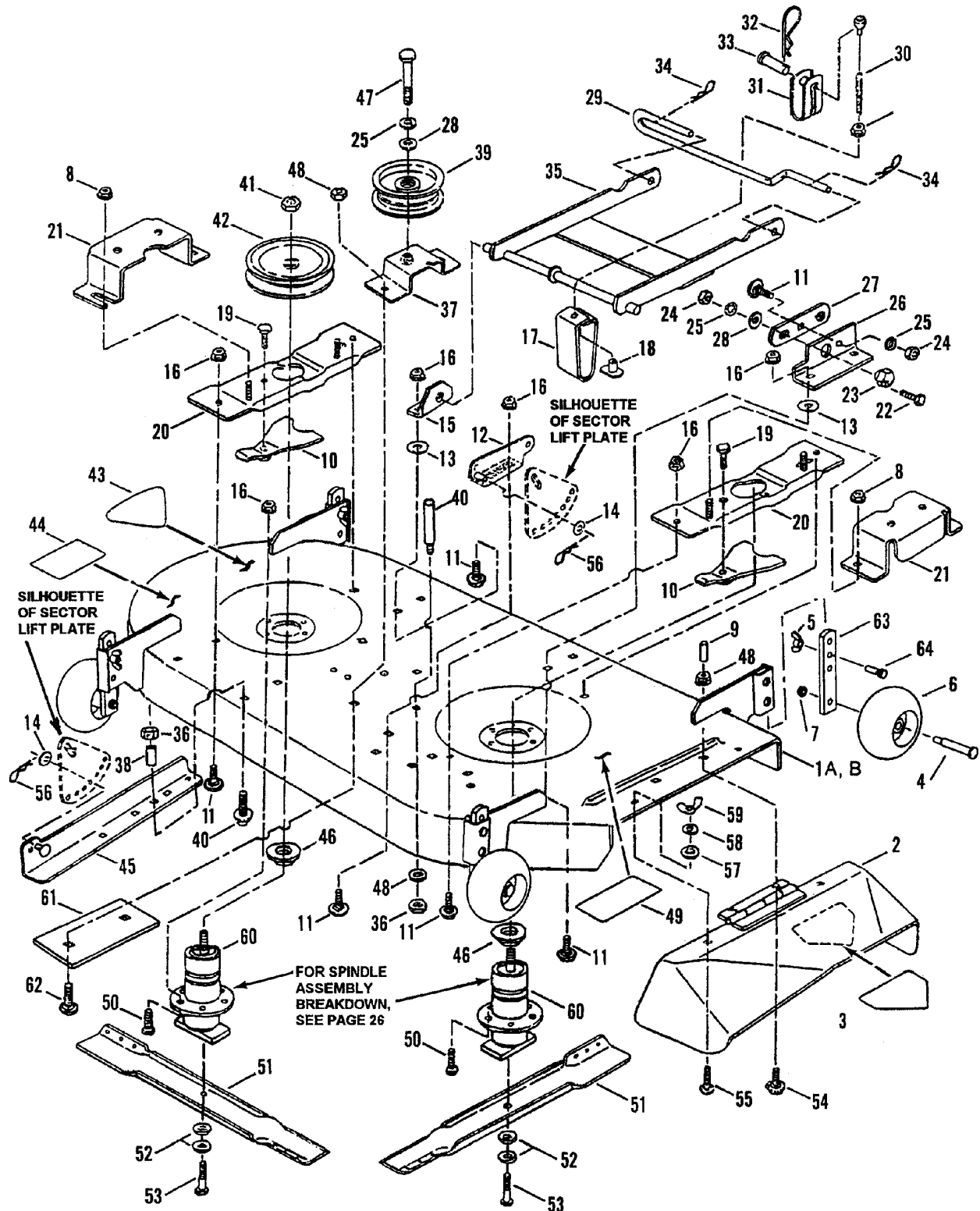


42" Cutting Deck

Item	Part No	Qty	Description	Note
1A	7054168		ASSEMBLY, 42" Cutting Deck	<i>(Includes Decal items 44 & 49); (Model: LT160H42GBV)</i>
1B	7054170		ASSEMBLY, 42" Cutting Deck	<i>(Includes Decal items 44 & 49); (Model LT160H42GBV2)</i>
2	7051401		DEFLECTOR, Side Discharge	<i>(Includes item 3)</i>
3	7013010		DECAL - DANGER	<i>Was 26831</i>
4	7029265	4	BOLT, Gage Wheel	
5	7091049	4	NUT, 3/8-16 Wing	
6	7029264	4	WHEEL, Gage	
7	7091585	4	NUT, 3/8-16 Hex Center Lock, Grade 5 or B	
8	7091601	10	NUT, 5/16-18 Hex Flange Lock, Grade 5	<i>Was 90585</i>
9	7023606	2	CAP, Vinyl	
10	7051747	2	ASSEMBLY, Spindle Lock	
11	7091547	12	BOLT, 3/8-16 x 3/4" Carriage, Grade 2	<i>Was 90850</i>
12	7042578		BRACKET, Lift (Right Side)	
	7042609		BRACKET, Lift (Right Side)	<i>(Model LT160H42GBV2 Only!)</i>
13	7090517	4	WASHER, 3/8" Flat	<i>Was 90600</i>
14	7090122	2	WASHER, 3/8" Flat	<i>Was 91514</i>
15	7032297		BRACKET, Front Hanger (Left Side)	
16	7091619	15	NUT, 3/8-16 Hex Flange Lock	<i>Was 90613</i>
17	7038043		BRACKET, Front Lift Arm Hanger	
18	7091567		T-NUT, 5/16-18 Thread	
19	7027198	2	BOLT, 3/8-16 x 1" Hex Flange Lock	<i>Was 90582</i>
20	7052487	2	ASSEMBLY, Spindle Brace	
21	7034409	2	GUARD, Pulley	
22	7091304		SCREW, 3/8-16 x 1" Hex Head Cap, Grade 5	<i>Was 90563</i>
23	7015012		ECCENTRIC, Leveling	
24	7091302	2	NUT, 3/8-16 Hex	<i>Was 90130</i>
25	7090118	3	WASHER, 3/8 Split Lock	
26	7038382		BRACKET, Front (Right Side)	
27	7032432		LINK, Adjustment	
28	7090122	2	WASHER, 3/8" Flat	
29	7027471		PIN, Deck Hanger	
30	7022893		CABLE, Deck Lift	
31	7032276		CLEVIS, Lift Cable	
32	7091503		PIN, Hair, 3/32 x 1-1/2"	
33	7029687		PIN, Clevis, 3/8 x 1-1/16"	
34	7091596	2	PIN, Hair, .148 x 2.62"	
35	7042469		ASSEMBLY, Front Hanger	<i>Was 41480</i>

Footnotes:

42" Cutting Deck

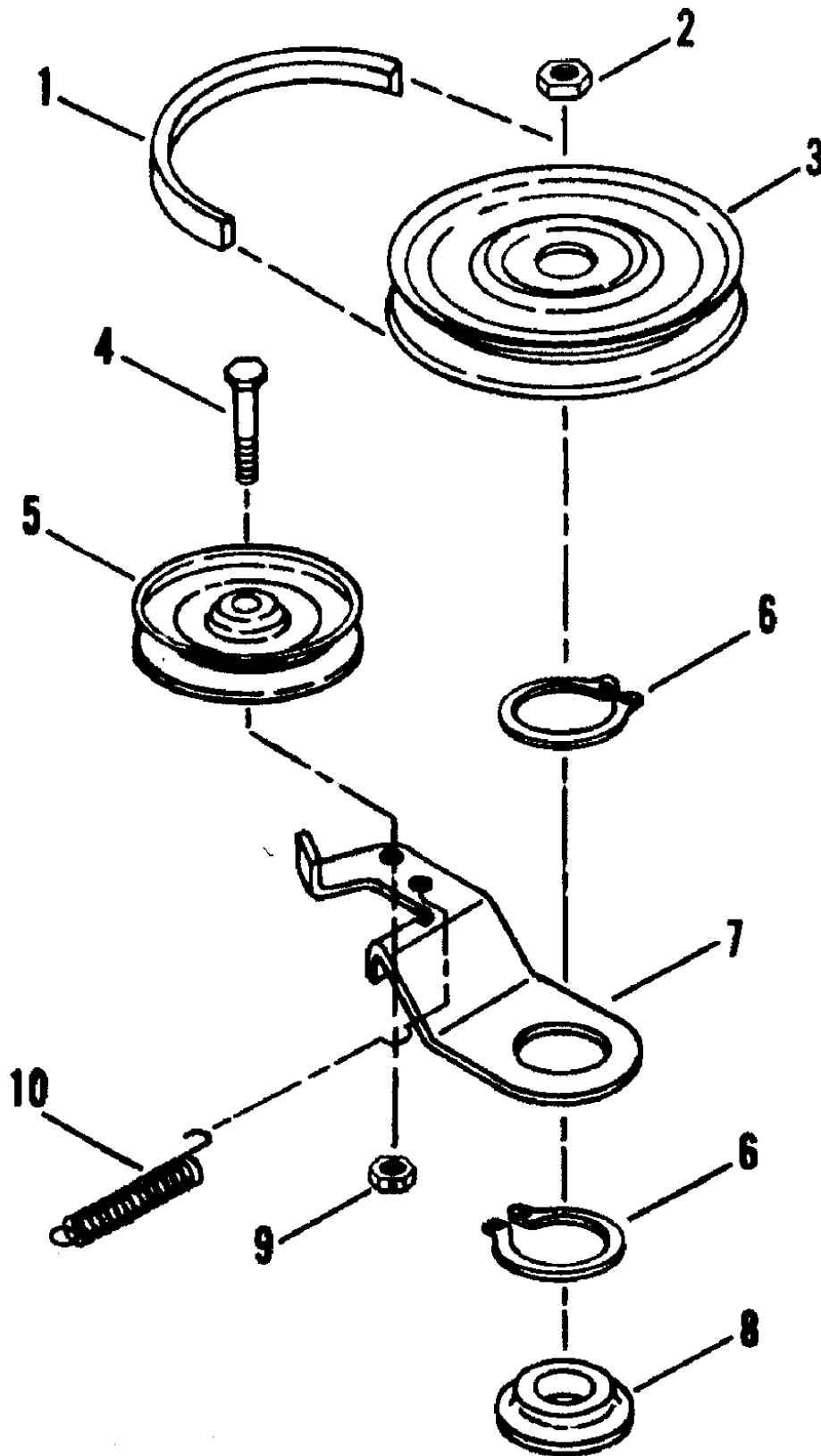


42" Cutting Deck

Item	Part No	Qty	Description	Note
36	7091585		NUT, 3/8-16 Hex Center Lock, Grade 5 or B	
37	7053567		BRACKET, Idler	
38	7028942		SLEEVE, 1/2 x 13/32 x 3/8"	
39	7018574		PULLEY, Idler 4-1/8"	
40	7090614		BOLT, 3/8-16 x 1-1/2" Hex Flange Lock, Grade 5	
41	7074467	2	NUT, 3/4-16 Hex Jam	Was 10027
42	7024863	2	PULLEY, Spindle	
43	7024910		DECAL, 42" Deck	
44	7014852		DECAL - CAUTION (Rotating Blades)	Was 16973
45	7042607		BRACKET, Deck Lift (Left Side)	
	7042606		BRACKET, Deck Lift (Left Side)	(Model LT160H42GBV2 Only)
46	7014407	2	WASHER, Spindle	
47	7091580		BOLT, 3/8-16 x 1-3/4" Hex Flange Lock	
48	7091601	3	NUT, 5/16-18 Hex Flange Lock, Grade 5	
49	7014852		DECAL - CAUTION (Deflector in Place)	
50	7091588	12	BOLT, 3/8-16 x 3/4" Hex Flange Lock	Was 90612
51	7026691	2	BLADE, 21" Cutter	
52	7012063	4	WASHER, Cone, 13/32 x 1-13/32" Diameter	
53	7090824	2	SCREW, 3/8-24 x 1-1/4" Hex Head Cap, Grade 5	
54	7091303	2	BOLT, 5/16-18 x1" Short Neck Carriage, Grade 5	
55	7090799	2	BOLT, 5/16-18 x 5/8" Carriage, Grade 5	
56	7091503	2	PIN, Hair, 3/32 x 1-1/2"	
57	7011791	2	RETAINER, 5/16" Bolt	
58	7091315	2	WASHER, 5/16 Split Lock	
59	7091537	2	WING-NUT, 5/16-18	
60	7051914	2	ASSEMBLY, Spindle	Was 59723
61	7034202		PLATE, Support	
62	7027168	2	SCREW, 5/16-18 x 1" Hex Head Cap, Grade 5	Was 90636
63	7035835	4	POST, Anti Scalp	
64	7091328	4	SCREW, 3/8-16 x 1-1/4" Hex Head Cap Grade 5	

Footnotes:

Belt, Blade Break - 42" Cutting Deck

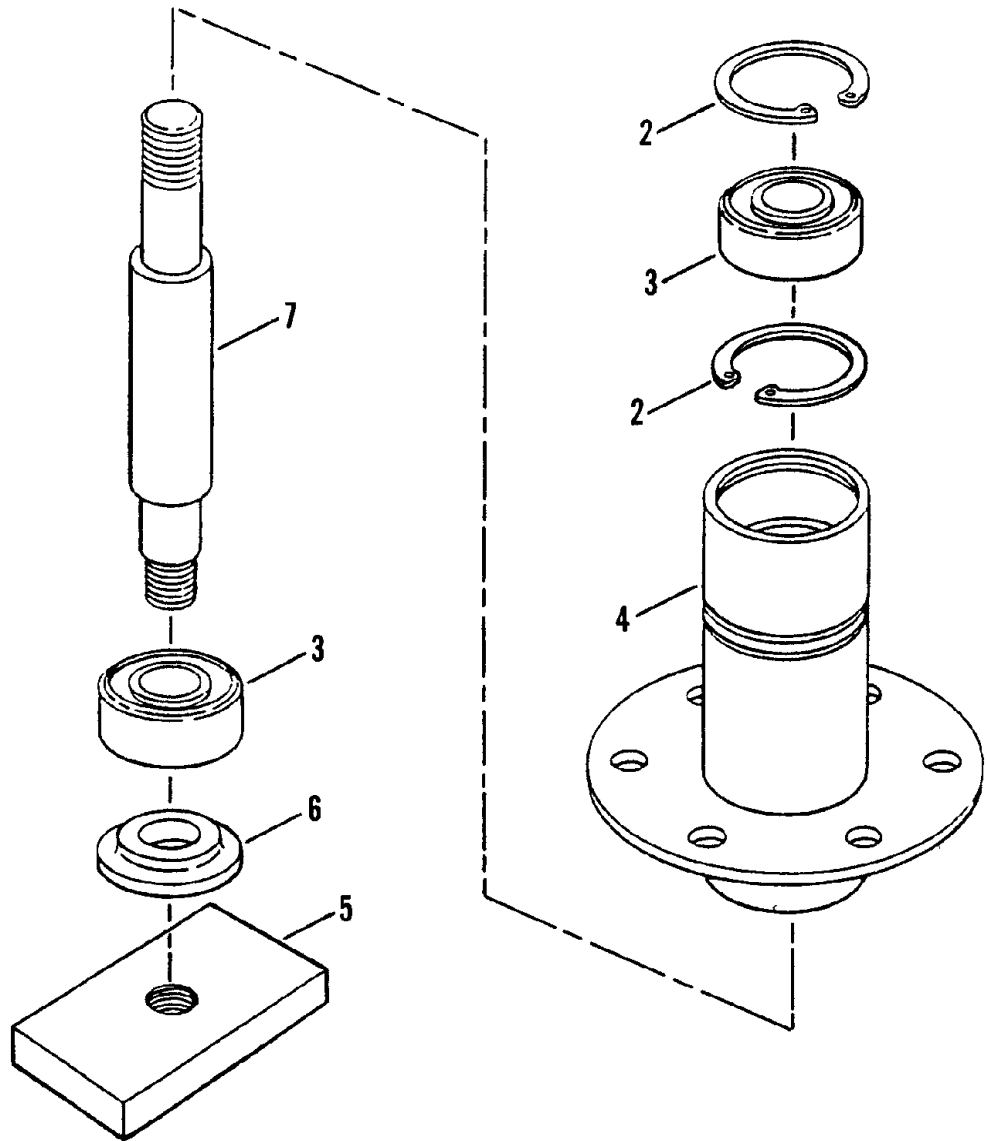


Belt, Blade Break - 42" Cutting Deck

Item	Part No	Qty	Description	Note
1	7029205		BELT, Drive	
2	7074467		NUT, 3/4-16 Hex Jam	<i>Was 10027</i>
3	7024863		PULLEY, Drive	
4	7091580		SCREW, 3/8-16 x 2" Hex Head Cap, Grade 5	
5	7018574		PULLEY, Idler	
6	7010740	2	RING, 2" External Retaining	
7	7036222		ARM, Brake	
8	7014407		WASHER, Spindle	
9	7091585		NUT, 3/8-16 Hex Center Lock, Grade 5 or B	
10	7028941		SPRING, Idler	

Footnotes:

① ASSEMBLY

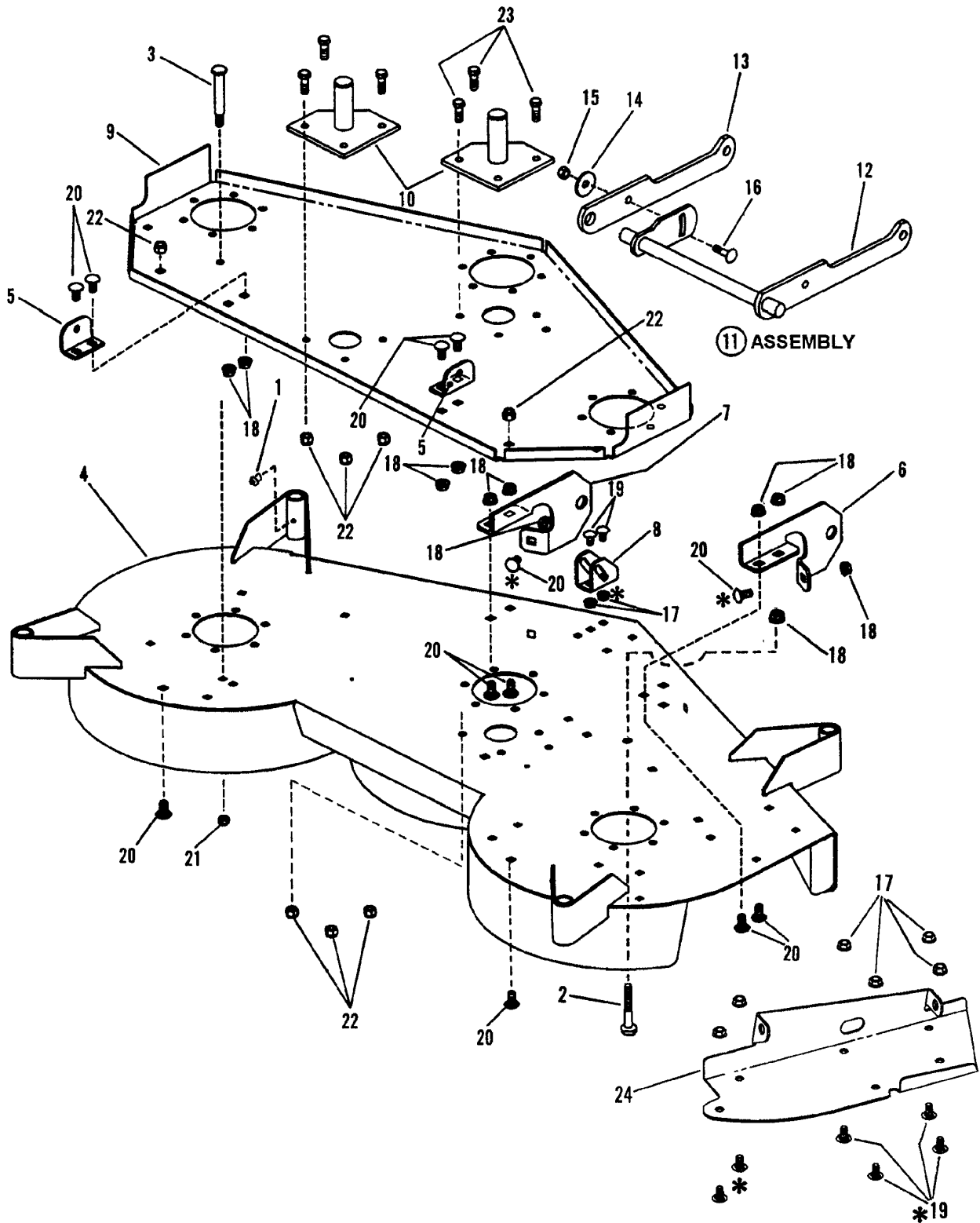


Spindle Assembly - 42" Cutting Deck

Item	Part No	Qty	Description	Note
1	7051914		ASSEMBLY, Spindle Housing, 42" Cutting Deck	<i>Was 59723 (Models: LT160H42GBV & LT160H42GBV2)(Includes 2 thru 7)</i>
2	7012491	2	RING, External Retaining 1-3/4"	
3	7013313	2	BEARING, Spindle	
4	7051918		HOUSING, Spindle	<i>Was 47917</i>
5	7032294		HOLDER, Blade	
6	7014407		WASHER, Spindle	
7	7027668		SPINDLE (6.5" Long)	

Footnotes:

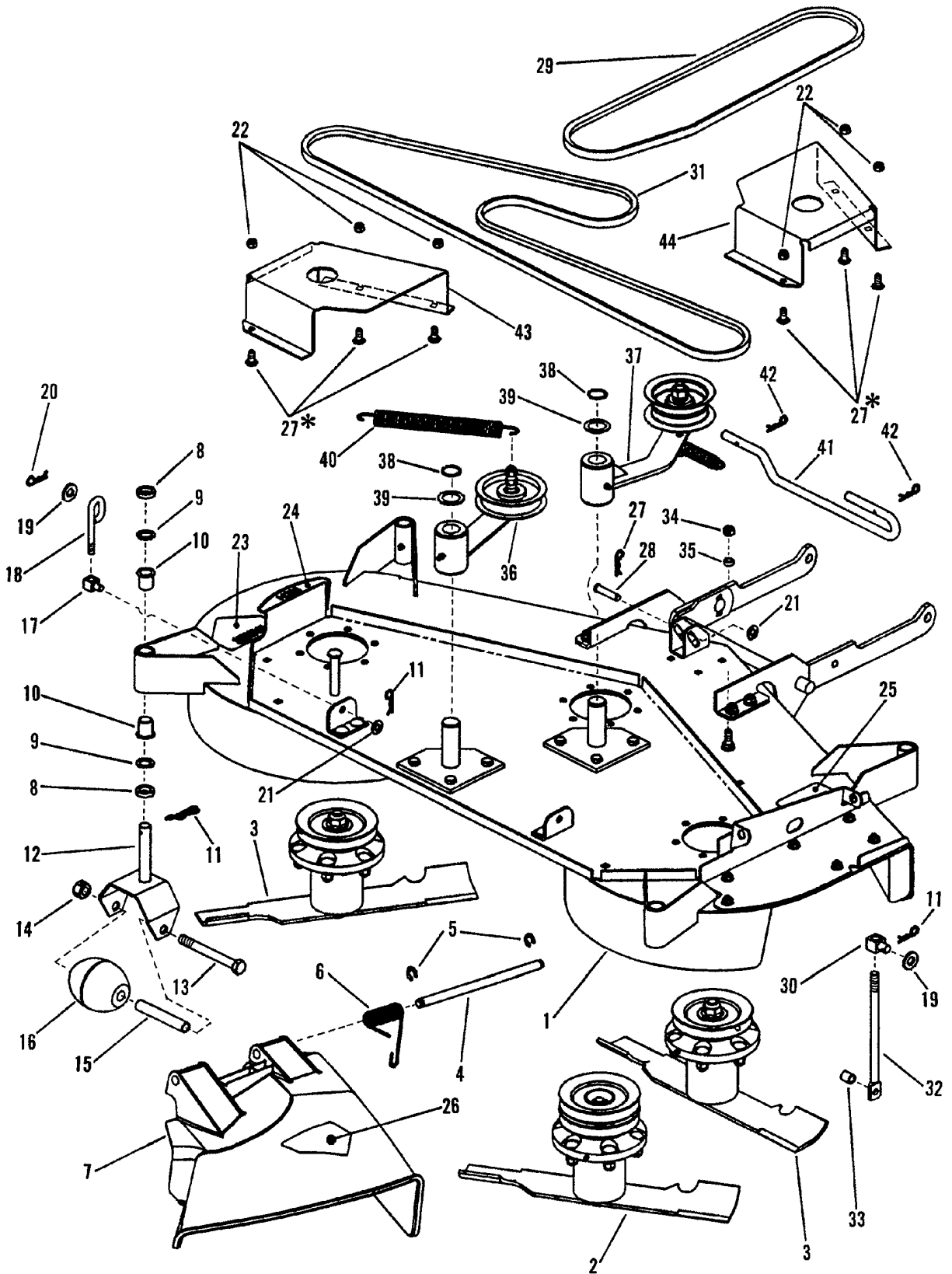
48" Cutting Deck Sub Assembly (P/N 57821)



48" Cutting Deck Sub Assembly (P/N 57821)

Item	Part No	Qty	Description	Note
1	7013864	4	LUBE FITTING, Straight (press-fit for .187 dia. Hole)	
2	7091328		SCREW, 3/8-16 x 1-1/4" Hex Head Cap, Grade 5	Was 90143
3	7029265		BOLT, Gage Wheel	
4	7063297		WELDMENT, Deck	Was 46611
5	7046860	2	BRACKET, Rear Lift - 48" Deck	
6	7046864		BRACKET, Front Hanger - Right Hand	
7	7046865		BRACKET, Front Hanger - Left Hand	
8	7046870		BRACKET, Front Hanger - 48" Deck	
9	7046929		STIFFENER, 48" Deck	
10	7046947	2	WELDMENT, Idler Pivot	
11	7054142		ASSEMBLY, Front Lift Arm - 97 Model Year	(Includes items 12 thru 16)
12	7042602		WELDMENT, Front Lift Arm	
13	7035603		ARM, Lift	
14	7012063		WASHER, Cone 3/8" I.D.	
15	7091302		NUT, 3/8-16 Hex	Was 90130
16	7091790		BOLT, 3/8-16 x 1-1/4 Grade 5	Was 91716
17	7091601	8	NUT, 5/16-18 Hex Flange Lock, Grade 5	
18	7091619	11	NUT, 3/8-16 Hex Flange Lock	Was 90613
19	7090799	8	BOLT, 5/16-18 x 5/8" Short Neck Carriage, Grade 5	
20	7091547	12	BOLT, 3/8-16 x 3/4" Short Neck Carriage, Grade 2	Was 90850
21	7091298		NUT, 5/16-1 8 Hex Nylo c	
22	7091299	8	NUT, 3/8-16 Hex Nyloc	
23	7091304	6	SCREW, 3/8-16 x 1" Hex Head Cap, Grade 5	
24	7058119		BRACKET, Hinge	
	7057821		48" Cutting Deck Sub Assembly	

Footnotes:



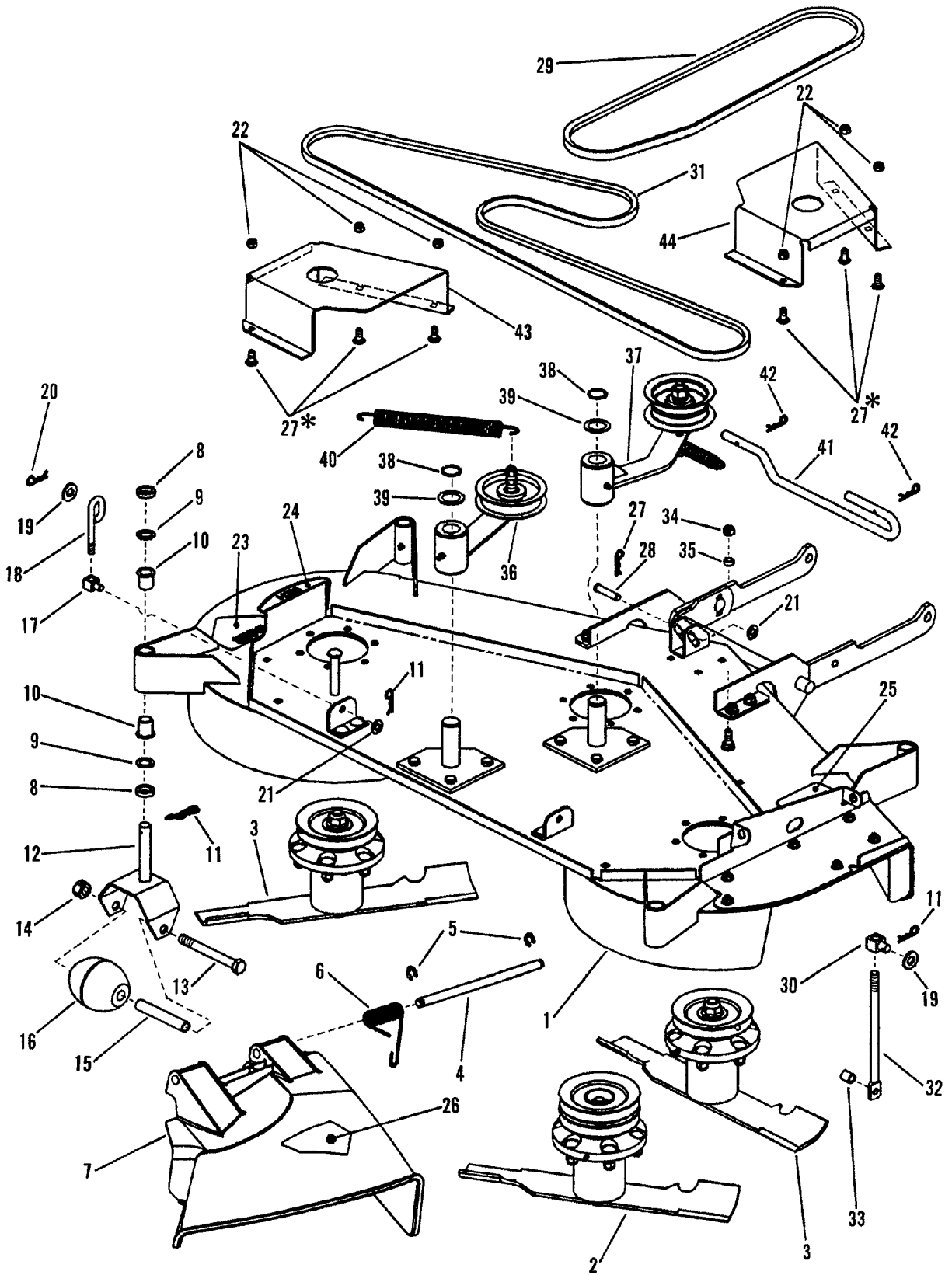
48" Cutting Deck, Belts, Brakes

Item	Part No	Qty	Description	Note
1	7057821		ASSEMBLY, 48" Deck	
2	7057921		* ASSEMBLY, Drive Spindle	
3	7057920	2	* ASSEMBLY, L.H./R.H.Spindle	
4	7072044		PIN, Chute Hinge	
5	7014341	2	RING, Retaining	
6	7035813		SPRING, Torsion (Side Chute)	
7	7029425		CHUTE, Side Discharge	
8	7076436	8	WASHER, Spacer	
9	7091628	8	WASHER, 3/8" Flat	
10	7043858	8	BEARING, 1/2 x 3/4" Plastic	Was 46278
11	7091503	5	PIN, 3/32 x 1-1/2" Hair	
12	7046302	4	WELDMENT, Anti-Scalp Wheel	
13	7090993	4	SCREW, 1/2-20 x 4-1/2" Hex Head Cap, Grade 5	
14	7090266	4	NUT, 1/2-20 Hex Center Lock, Grade 5	
15	7046301	4	SLEEVE, Caster Wheel	
16	7073142	4	ROLLER, Low Density Polyethylene	Was 79226
17	7024607	2	SWIVEL, Brake Link	
18	7046790	2	ROD, Rear Lift	
19	7091587	3	WASHER, 1/2" Flat	
20	7091594	4	PIN, 1/2" Self-Locking Cotter	
21	7090122	4	WASHER, 3/8" Flat	Was 91514
22	7091298	6	NUT, 5/16-18 Hex Nyloc	
23	7013010	2	DECAL, Warning - CPSC "Cut Finger"	
24	7024431		DECAL, 48" Deck	
25	7046720		DECAL, Chute/Deflector Warning	
26	7013010		DECAL, CPSC Heavy Adhesive	Was 26831
27	7091508	6	BOLT, 5/16-18 x 3/4" Short Neck Carriage, Grade 5	
28	7046491		PIN. 3/8 x 1-1/2" Clevis	Was 91977
29	7046926		BELT, 50.65 HA (Electric Clutch)	
30	7026827		SWIVEL, Lift	
31	7028334		BELT, 94.46 HA	
32	7046873		ROD, Front Lift	
33	7023478		SPACER, Axle	
34	7091585		NUT, 3/8-16 Hex Center Lock	
35	7024180		SPACER, Tie Rod	
36	7057923		** ASSEMBLY, Deck Idler	
37	7057950		** ASSEMBLY, Drive Idler Arm	

Footnotes:

NOTE : * (See "Spindle Assemblies - 48" illustration and parts list)

NOTE: ** (See "Implement Lift Parts" and "Spindle Assemblies - 48" Cutting Deck" illustration and parts lists)



48" Cutting Deck, Belts, Brakes

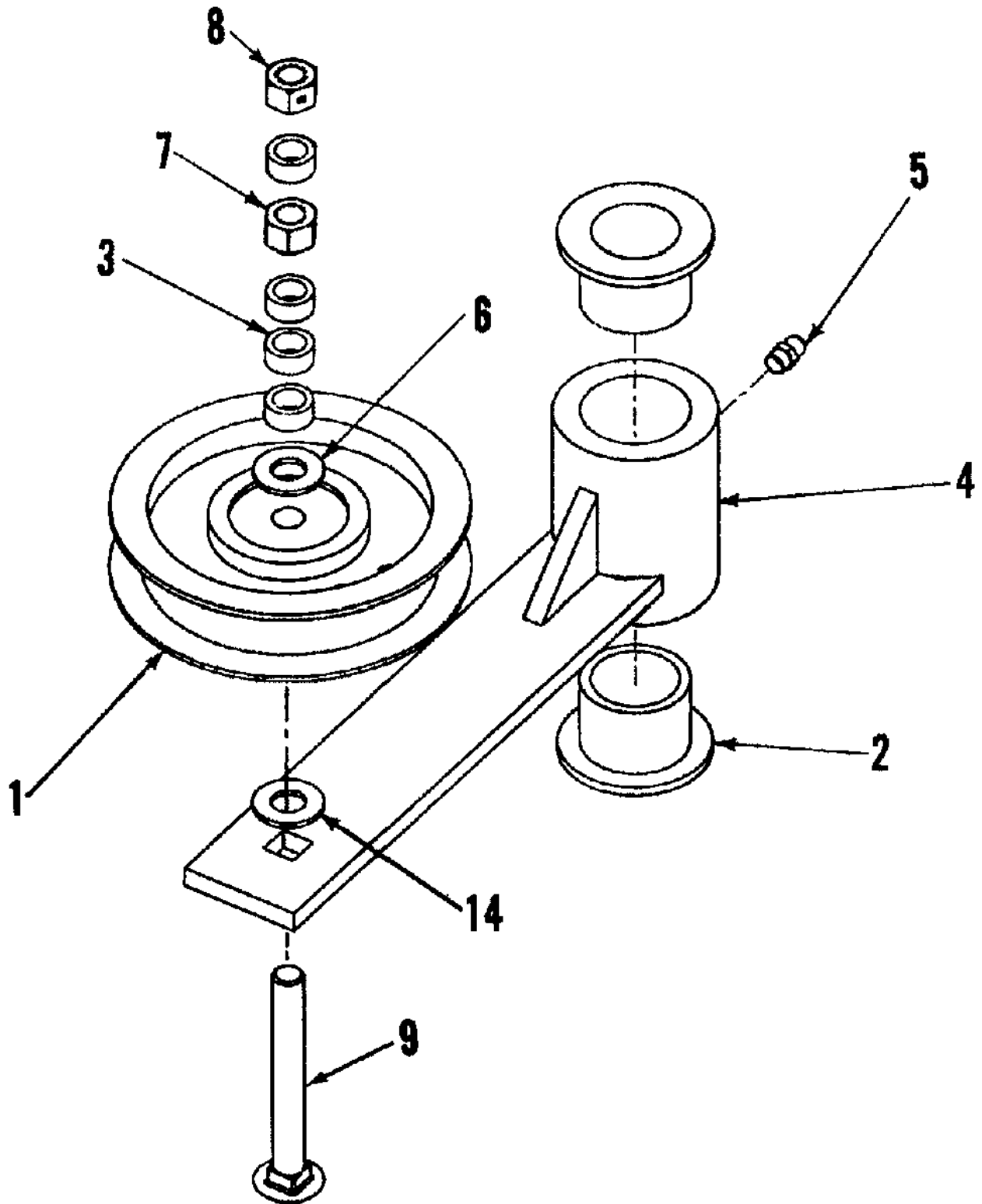
Item	Part No	Qty	Description	Note
38	7012709	2	RING, 1" External Retaining	
39	7023747	2	BUSHING, 1" Machine	
40	7029272		SPRING, Extension- Primary Idler	
41	7027471		PIN, Deck Hanger	
42	7091596	2	PIN, 3/32 x 1-1/2" Hair	
43	7047086		COVER, L.H. Spindle	
44	7047087		COVER, R.H. Spindle	

Footnotes:

NOTE : * (See "Spindle Assemblies - 48" illustration and parts list)

NOTE: ** (See "Implement Lift Parts" and "Spindle Assemblies - 48" Cutting Deck" illustration and parts lists)

48" Drive Idler Assembly

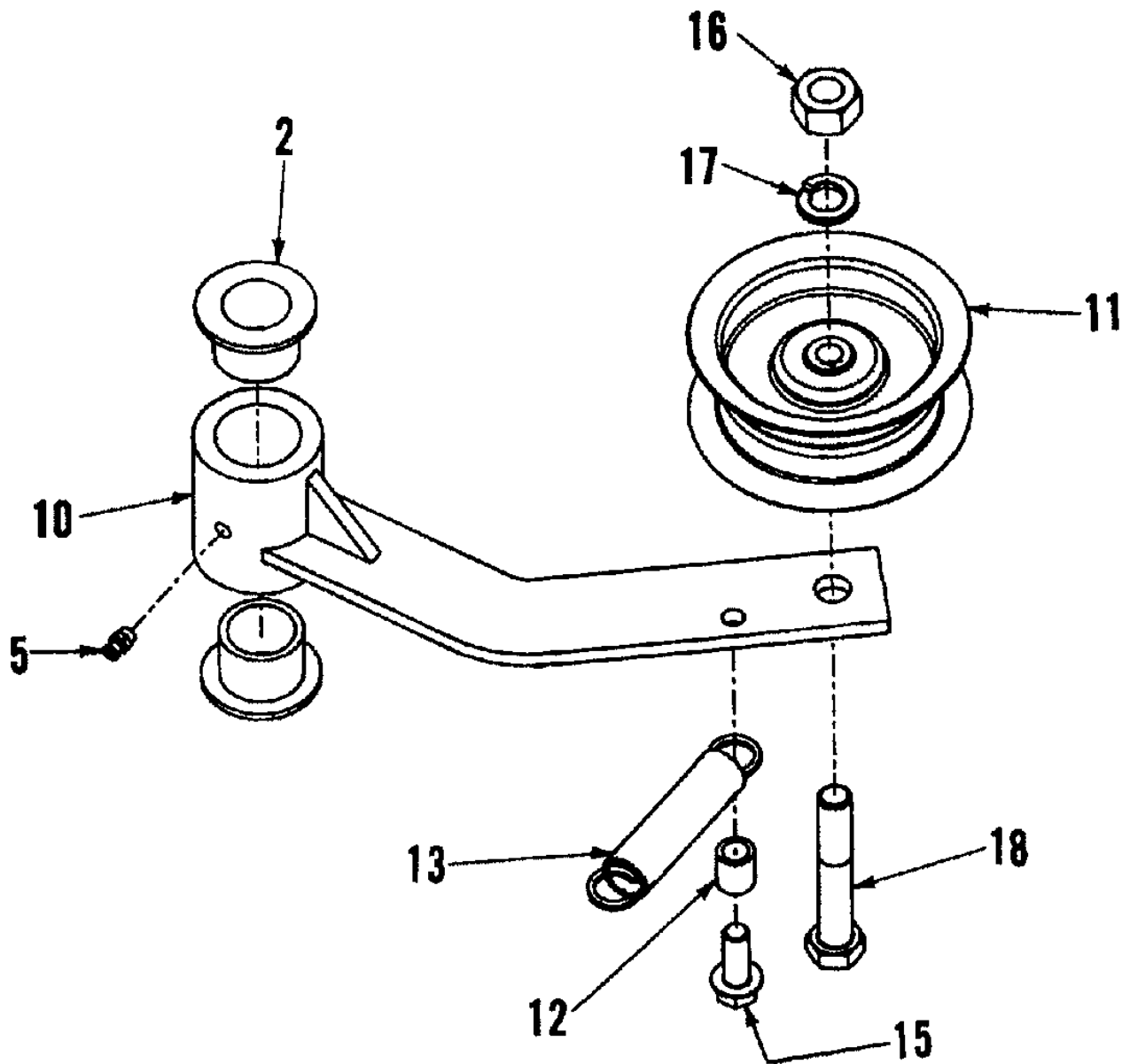


48" Drive Idler Assembly

Item	Part No	Qty	Description	Note
1	7018574		FLAT 4-1/8" Idler	
2	7023556	4	BUSHING, Caster	
3	7024180	4	SPACER, Tie Rod	
4	7046949		WELDMENT, Idler Arm	
5	7076998	2	FITTING, Lube 1/4-28 Straight	
6	7090122		WASHER, 3/8" Flat	
7	7091302		NUT, 3/8-16 Hex, Grade 5 or B	
8	7091585	2	NUT, 3/8-16 Hex Center Lock, Grade 5 or B	
9	7091155		BOLT, 3/8-16 x 3", Round Head Square Neck Grade 5	
14	7090122		WASHER, 3/8" Flat	Was 91514

Footnotes:

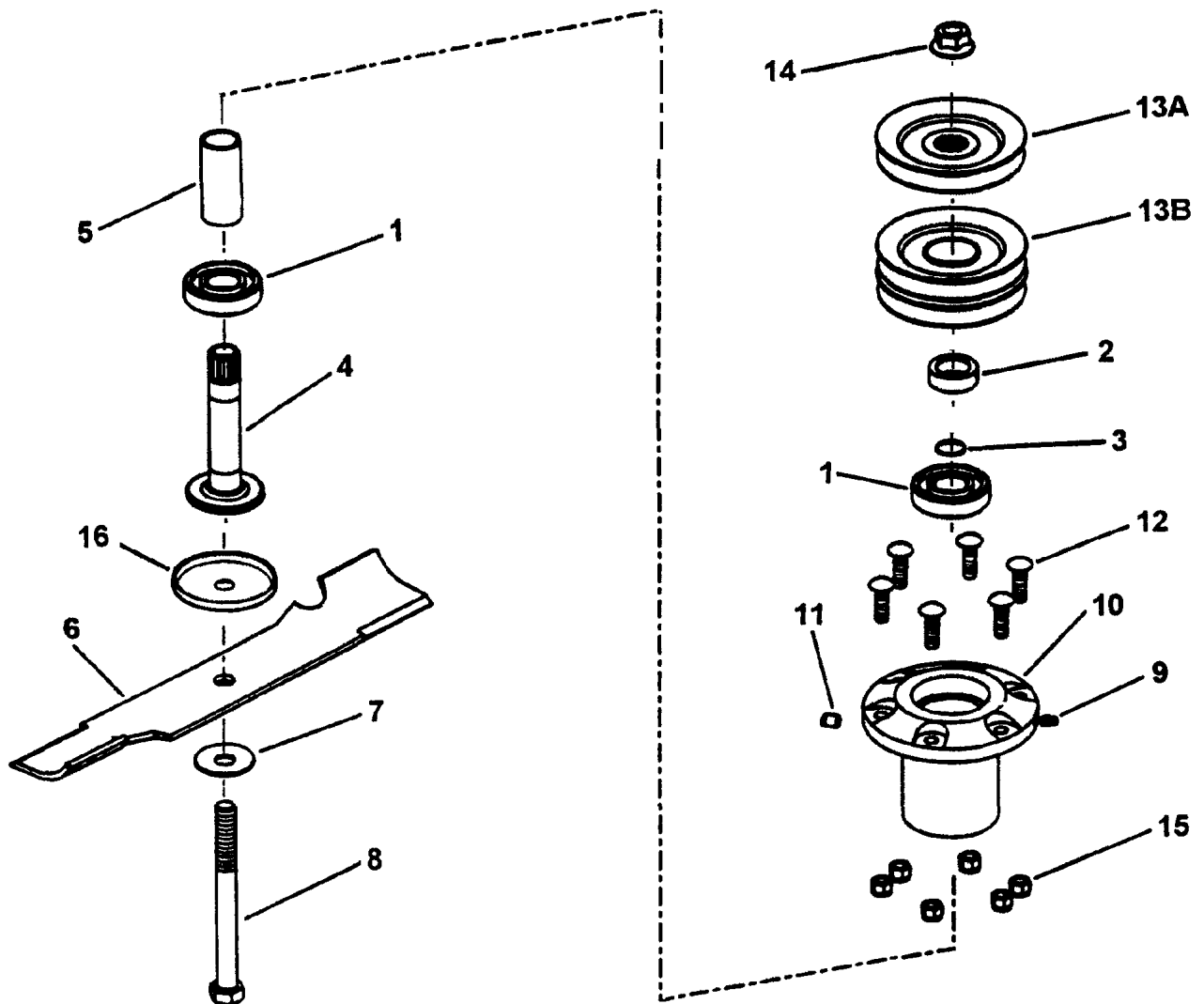
48" Drive Idler Arm Assembly



48" Drive Idler Arm Assembly

Item	Part No	Qty	Description	Note
2	7023556	4	BUSHING, Caster	
5	7076998	2	FITTING, Lube 1/4-28 Straight	
10	7046717		WELDMENT, Idler Arm	
11	7026310		PULLEY, Flat Idler-3-1/4" O.D.	
12	7023478		SPACER	
13	7029134		SPRING, Extension	
15	7090324		SCREW, 3/8-16 x 1", Hex Washer Self-Tap	
16	7091316		NUT, 1/2-13 Hex, Grade 5 or B	
17	7091322		WASHER, 1/2" Split Lock	
18	7091821		SCREW, 1/2-13 x 3" Hex Head Cap	

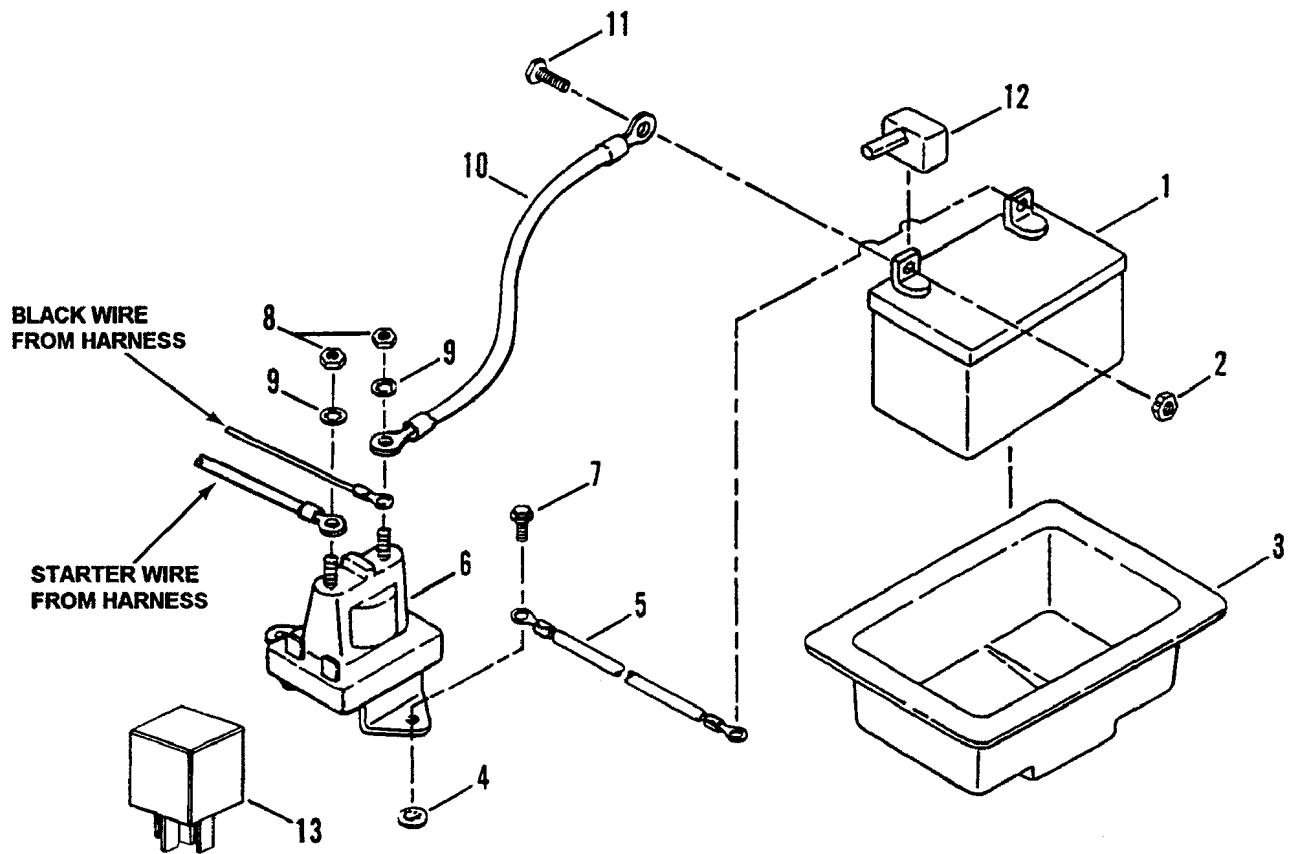
Footnotes:



Spindle Assemblies - 48" Cutting Deck

Item	Part No	Qty	Description	Note
	7054011	3	ASSEMBLY, Spindle	<i>(Contains indented items below)</i>
1	7029422	2	BEARING, Sealed	
2	7029270		WASHER, Spindle	
3	7029274		SNAP-RING, Spindle Shaft	
4	7059311		SHAFT, Spindle	<i>Was 29253</i>
5	7029254		SPACER, Bearing	
6	7075771		BLADE, 16-1/2" (48" Deck)	<i>Was 29247</i>
7	7016440		WASHER, Beveled	
8	7063236		BOLT, 5/8-18 x 6-5/8" Hex Head, Grade 5	<i>Was 91980 (Now 63236 + 63237)</i>
9	7076998		LUBE FITTING, 1/4-28 Thread Forming	<i>Was 29275</i>
10	7058237		HOUSING, Cutter	<i>Was 29252</i>
11	7029384		VENT, Spindle	
12	7029302	6	BOLT, 3/8-16 x 1-1/4" Rib Necked	
13A	7046917		PULLEY, Spindle (48" Deck LH & RH)	
13B	7046794		PULLEY, Spindle (48" Deck/Drive)	
14	7063237		NUT, 5/8-18 Hex Flange Lock, Grade 5	<i>Was 91736</i>
15	7091299	6	NUT, 3/8-16 Hex Nyloc	
16	7072077		CUP, Spindle Cover	
	7054017		Spindle Housing Sub-Assembly	<i>Contains one of item 10 & six of item 12.</i>

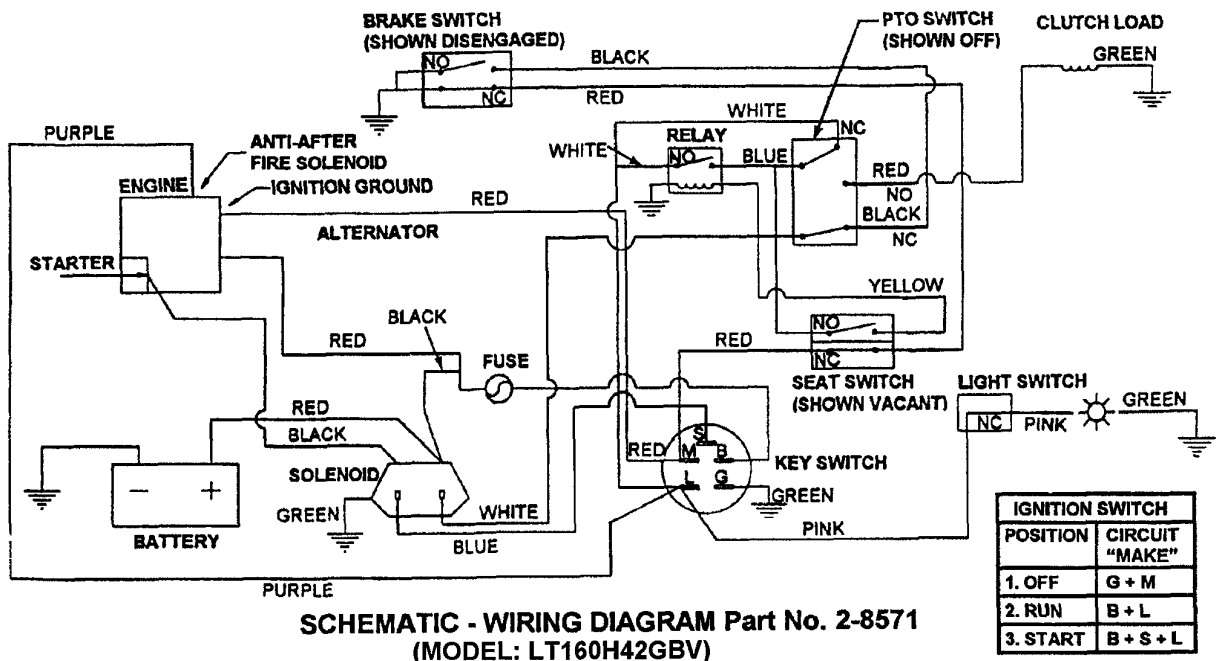
Footnotes:



Electrical Components

Item	Part No	Qty	Description	Note
1	7060618		KIT, Battery	<i>(Includes Decal P/N 16134 & Battery Without Acid)</i>
2	7090372	2	NUT, 1/4-20 Hex Center Lock, Grade 5 or B	
3	7017853		TRAY, Battery	
4	7012485		RETAINER, Screw	
5	7026414		CABLE, Ground (Black)	
6	7075622		SOLENOID	<i>Was 18604</i>
7	7091122	2	SCREW, 1/4-20 x 1/2" Self-Tapping	<i>Was 90539</i>
8	7090977	2	NUT, 1/4-20 Hex Jam	
9	7090053	2	WASHER, 1/4 Internal Tooth Lock	<i>Was 91314</i>
10	7014476		CABLE, Positive (Red)	
11	7090072	2	SCREW, 1/4-20 x 5/8" Hex Head Cap, Grade 5	<i>Was 27172</i>
12	7012444		COVER, Positive Terminal	
13	7028570		RELAY	
	7016134		Decal	

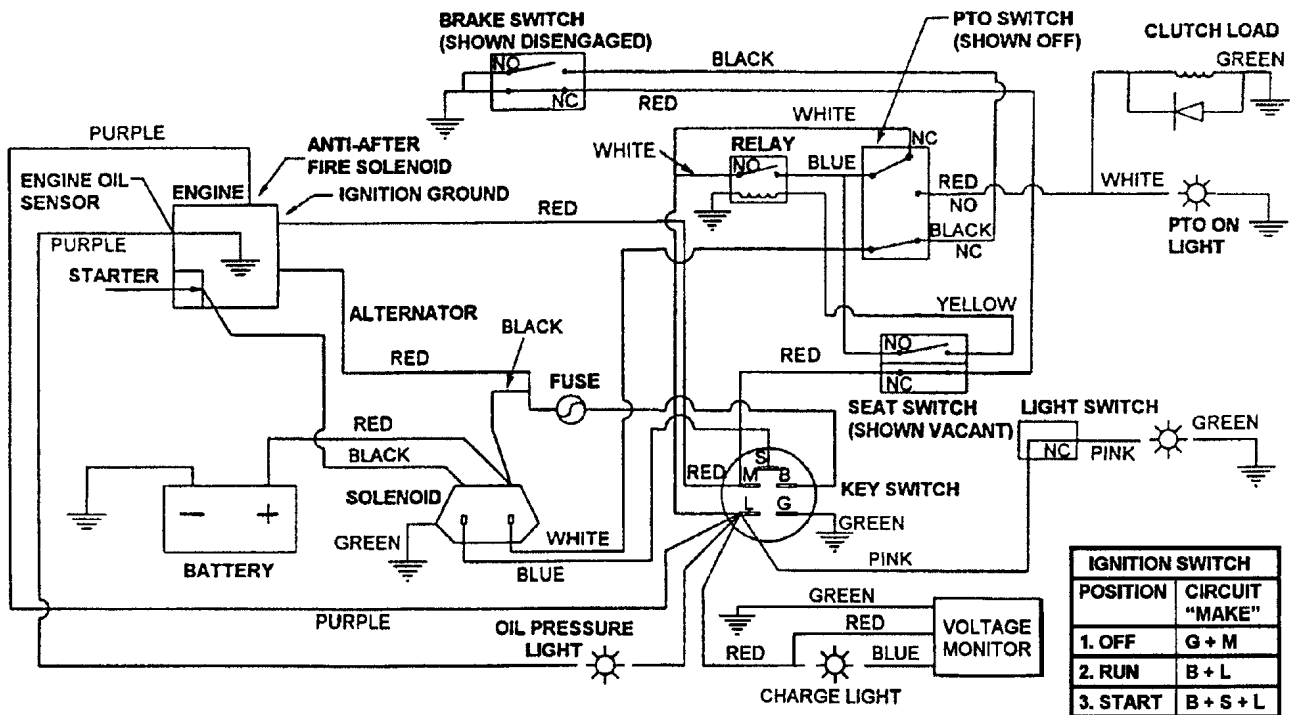
Footnotes:



Electrical

Item	Part No	Qty	Description	Note
857	7028571		Schematic - Wiring Diagram	(MODEL: LT160H42GBV)

Footnotes:



**SCHEMATIC - WIRING DIAGRAM Part No. 7-3417
(MODELS LT160H42GBV2 & LT180H48GBV2)**

Electrical

Item	Part No	Qty	Description	Note
'341:	7073417		Schematic - Wiring Diagram	(MODELS LT160H42GBV2 & LT180H48GBV2)

Footnotes:

Parts Manual for

SNAPPER®

LAWN TRACTORS ELECTRIC CLUTCH HYDRO DRIVE SERIES "G"

IT IS THE POLICY OF SNAPPER TO IMPROVE ITS PRODUCTS
WHENEVER IT IS POSSIBLE AND PRACTICAL TO DO SO. WE
RESERVE THE RIGHT TO MAKE CHANGES OR ADD IMPROVEMENTS
AT ANY TIME WITHOUT INCURRING ANY OBLIGATION TO MAKE
SUCH CHANGES ON PRODUCTS MANUFACTURED PREVIOUSLY.

SNAPPER® McDonough, GA, 30253 U.S.A.