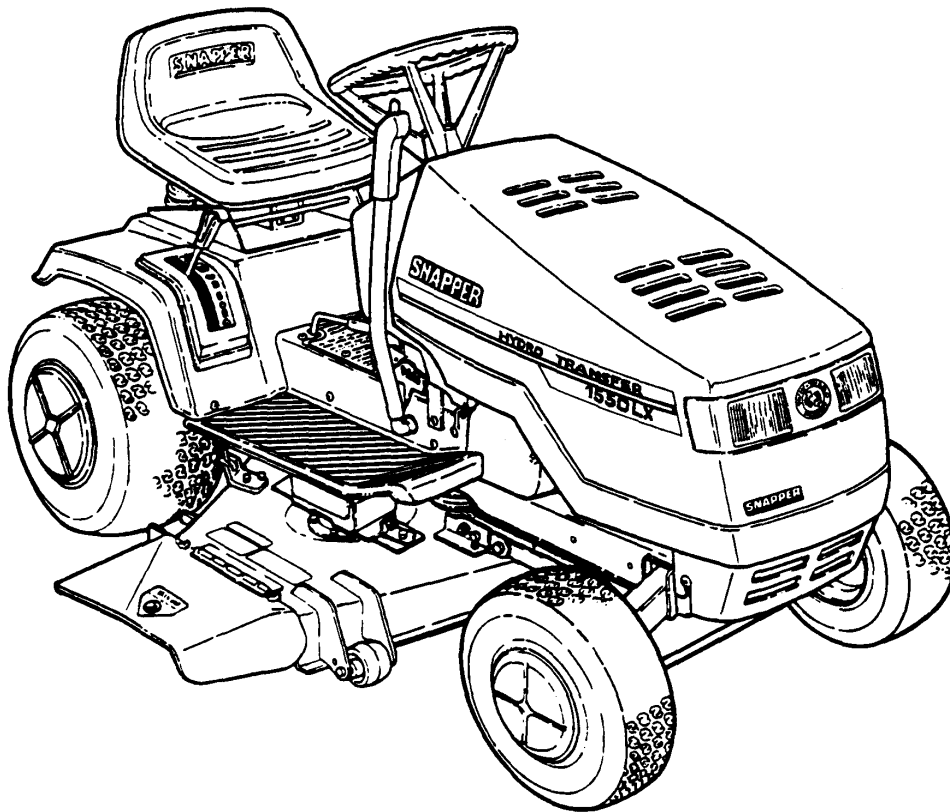


Parts Manual for

SNAPPER®

LAWN TRACTOR MANUAL CLUTCH HYDRO DRIVE (1991 1/2) SERIES 1

| MODEL |
|--------------|
| ELT140H331KV |
| ELT140H411KV |
| LT140H331KV |
| LT140H411KV |
| RLT140H331KV |



SNAPPER McDonough, GA, 30253 U.S.A.

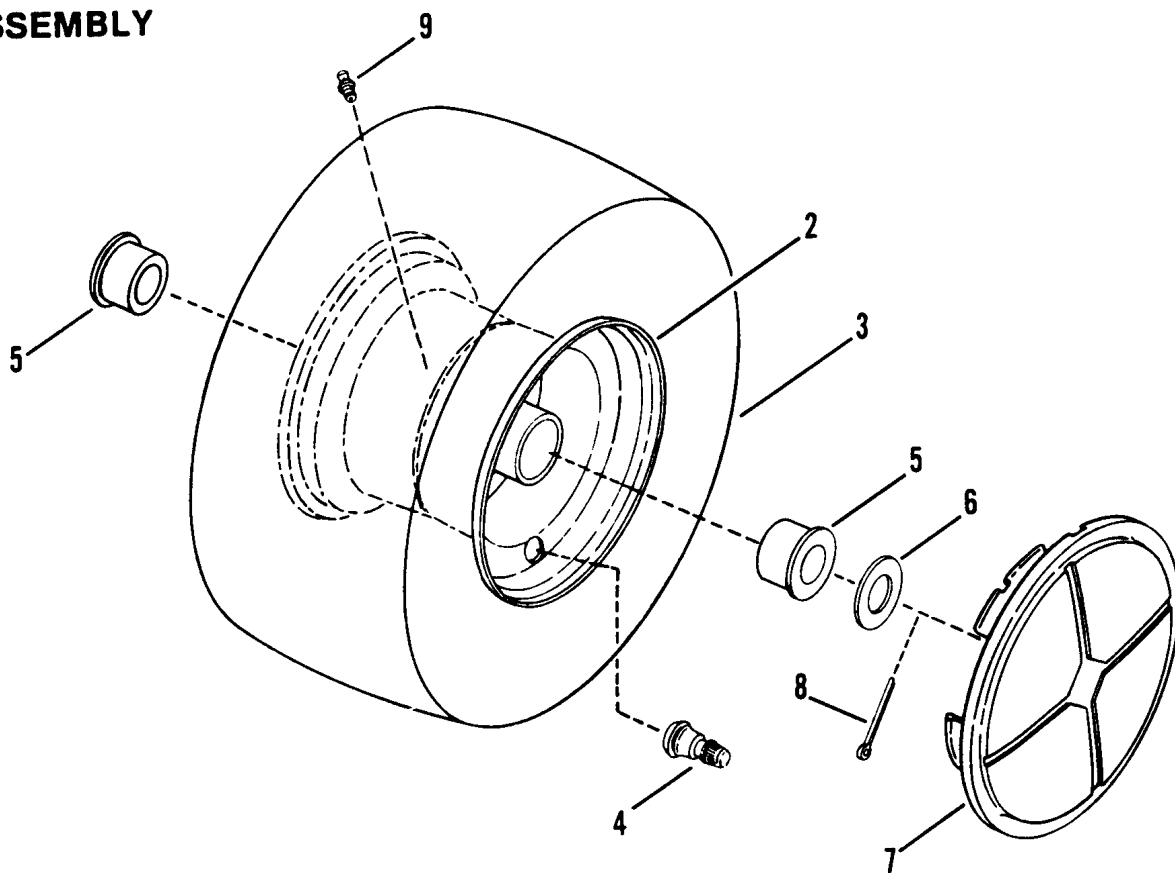
| PAGE | GROUP |
|-------------|---|
| 4 | Hood, Bumper, Headlights |
| 6 | Wheels - Front |
| 8 | Wheels - Rear |
| 10 | Engine, Engine Base & Drive Parts |
| 14 | Transmission Support & Components I |
| 16 | Transmission Support & Components II |
| 18 | Dash Panel |
| 20 | Steering And Front Axle Parts |
| 22 | Seat, Rear Fender |
| 24 | Clutch, Brake & Transmission Controls |
| 28 | Transmission Group |
| 32 | Transmission - Service Parts |
| 34 | Implement Lift Parts |
| 36 | Blade Engagement |
| 38 | 33" Cutting Deck, Belts, Brakes |
| 44 | 41" Cutting Deck |
| 48 | Belt, Blade Brake, 41" Deck |
| 50 | Fuel Tank & Battery |
| 52 | Electrical System |
| 54 | Schematic Electrical System (Kohler Engines Only) |

Hood, Bumper, Headlights

| Item | Part No | Qty | Description | Note |
|------|---------|-----|--|---|
| 1 | 7063298 | 1 | KIT, Hood Assembly, Sloped Mozart | Was 61082 or 61383 (Includes 2 thru 18) |
| 2 | | 1 | HOOD (No longer available, use kit 7063298) | Was 19411 |
| 3 | 7016766 | 1 | ROD, Hood Latch | |
| 4 | 7076978 | 10 | NUT, 1/4-20 Hex Lock | |
| 5 | | 1 | HEAT SHIELD, Hood 3" x 5" (No longer available) | Was 17787 |
| 6 | | 2 | DECAL-SNAPPER, Molded Logo (No longer available) | Was 16974 or 36438 or 24980 |
| 7 | 7090999 | 10 | SCREW, 1/4-20 x 5/8" Torx, Truss Head | |
| 8 | | 1 | BUMPER (R.H.) (No longer available) | Was 19412 |
| | | 1 | BUMPER (L.H. Shown) (No longer available) | Was 19413 |
| 9 | 7012691 | 2 | CLIP, Wiring Harness .31" | |
| 10 | 7017174 | 1 | DECAL, Reflect (R.H.) | |
| | 7017175 | 1 | DECAL, Reflect (L.H. Shown) | |
| 11 | 7033265 | 2 | BRACKET, Latch Hook | |
| 12 | | 1 | BUMPER, Front (No longer available) | Was 19414 |
| 13 | 7091106 | 5 | SCREW, #12 x 1/2" | |
| 14 | 7024893 | 1 | LENS, Clear Bezel | Was 19415 |
| 15 | 7016756 | 2 | BULB, Headlights, 1156 | |
| 16 | 7016757 | 2 | SOCKET, Headlight Bulb | |
| 17 | 7016765 | 1 | HARNESS, Headlight Wiring | |
| 18 | 7017359 | 1 | CLIP, Hood Latch | |
| 19 | | 1 | DECAL-SNAPPER, Molded Logo 4" - Blue (No longer available) | Was 22968 (LT140H33 & LT140H41) |
| | 7022969 | 1 | DECAL-SNAPPER, Molded Logo 4" - Green | (RLT140H33) |
| 20 | | 1 | DECAL, 1550LX - Blue (R.H.)(No longer available) | Was 22986 (LT140H33 & LT140H41) |
| | | 1 | DECAL, 1550LX - Blue (L.H. Shown)(No longer available) | Was 22987 (LT140H33 & LT140H41) |
| | 7022988 | 1 | DECAL, 1550RX - Green (R.H.) | (RLT140H33) |
| | 7022989 | 1 | DECAL, 1550RX - Green (L.H. Shown) | (RLT140H33) |
| 21 | 7022975 | 1 | DECAL, Convertible - Blue | (LT140H33) |
| | 7022977 | 1 | DECAL, Twin-Turbo - Blue | (LT140H41) |
| | | 1 | DECAL, Recycling - Green (No longer available) | Was 22972 (RLT140H33) |

Footnotes:

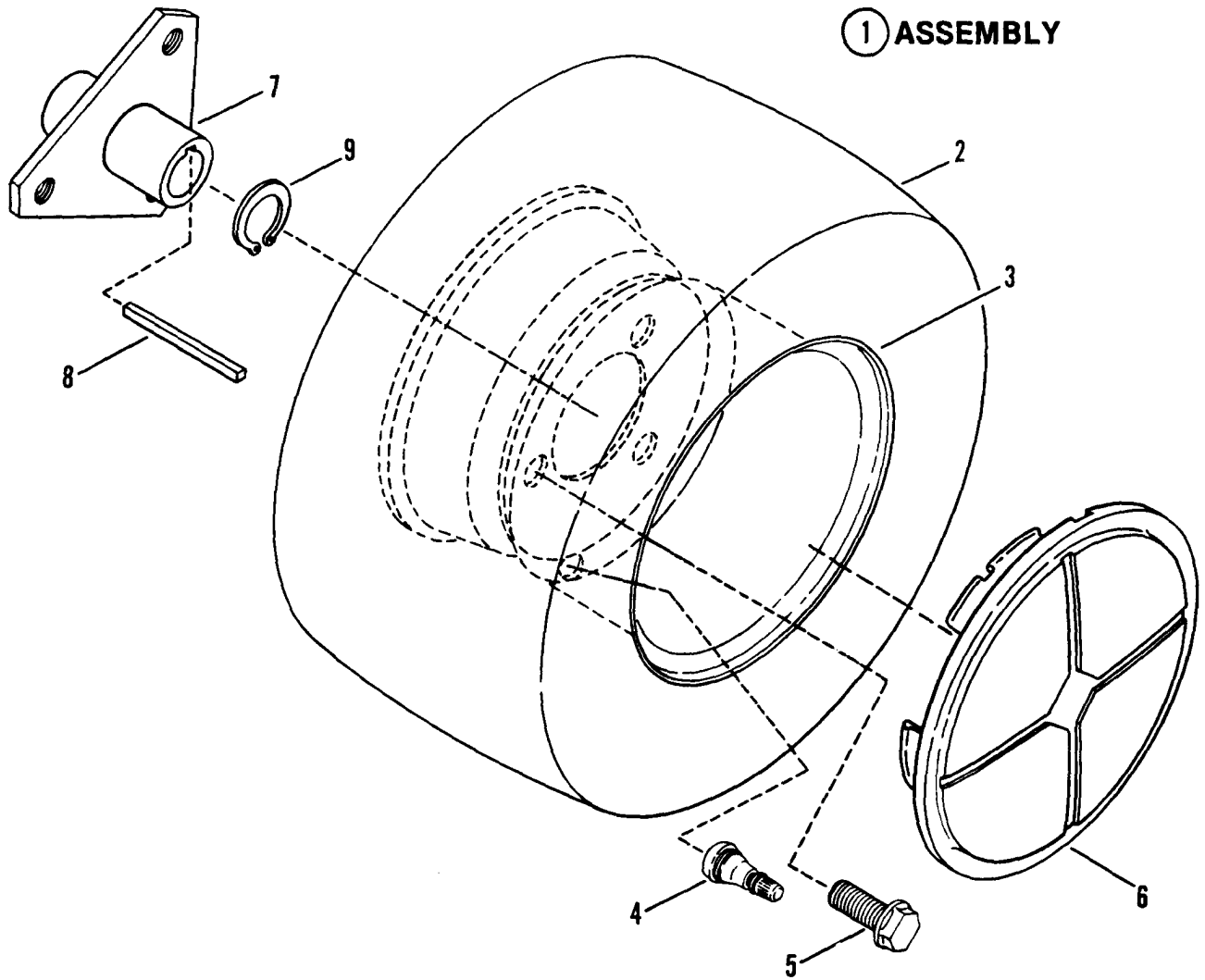
① ASSEMBLY



Wheels - Front

| Item | Part No | Qty | Description | Note |
|-------------|----------------|------------|---|--|
| 1 | 7058517 | 2 | ASSEMBLY, Front Tire & Rim 15x5.50-6.00 | <i>Was 52185 (Includes Items 2, 3 & 4)</i> |
| 2 | 7022772 | 2 | RIM, 6 x 4.50 | <i>Was 16739</i> |
| 3 | 7072704 | 2 | TIRE, 15-5.50 x 6 | <i>Was 16740</i> |
| 4 | 7012234 | 2 | VALVE, Air (Snap-in) | |
| 5 | 7014483 | 4 | BEARING, Wheel Flanged PM .758 ID x 1.38 OD x 1.0 L | |
| 6 | 7032027 | 2 | WASHER .77 x 1.5 x .06 | |
| 7 | 7019417 | 2 | WHEEL-COVER | |
| 8 | 7091516 | 2 | COTTER-PIN 5/32 x 1 YZ | <i>Was 90364</i> |
| 9 | 7076998 | 2 | FITTING, Lube 1/4-28 Tapered Thread | <i>Was 13876</i> |

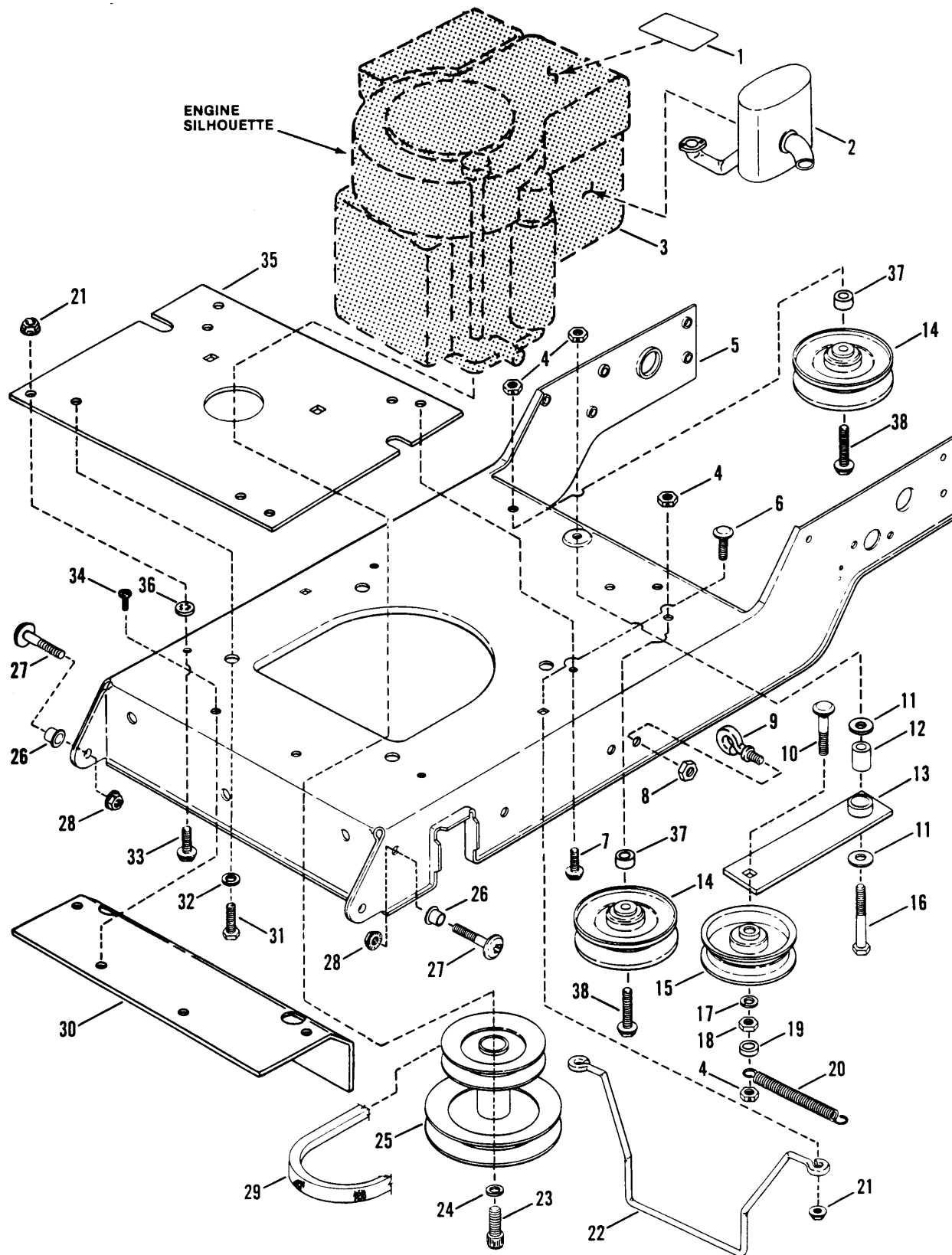
Footnotes:



Wheels - Rear

| Item | Part No | Qty | Description | Note |
|-------------|----------------|------------|---|---|
| 1 | | 2 | ASSEMBLY, Rear Tire & Rim (No longer available) | <i>Was 52187 (LT140H41)</i> |
| | | 2 | ASSEMBLY, Rear Tire & Rim (No longer available) | <i>Was 52675 (LT140H33 & RLT140H33)</i> |
| 2 | 7016744 | 2 | TIRE, 18-8.50 x 8 | <i>(Used with 41" Deck)</i> |
| | 7022688 | 2 | TIRE, 18-7.50 x 8 | <i>(Used with 33" Deck)</i> |
| 3 | 7016742 | 2 | RIM, 8 x 7 | <i>(Used with 41" Deck)</i> |
| | 7016741 | 2 | RIM, 8 x 5.375 | <i>(Used with 33" Deck)</i> |
| 4 | 7012234 | 2 | VALVE, Air (Snap-in) | |
| 5 | 7091502 | 6 | BOLT, 1/2-20 x 3/4" Lug | <i>Was 90367</i> |
| 6 | 7019418 | 2 | WHEEL-COVER | |
| 7 | 7040720 | 2 | HUB, Rear Wheel | |
| 8 | 7017173 | 2 | KEY, Square, 3/16 x 2 1/2" | |
| 9 | 7012899 | 2 | RING, Retaining EXT .75 | <i>Was 12829</i> |

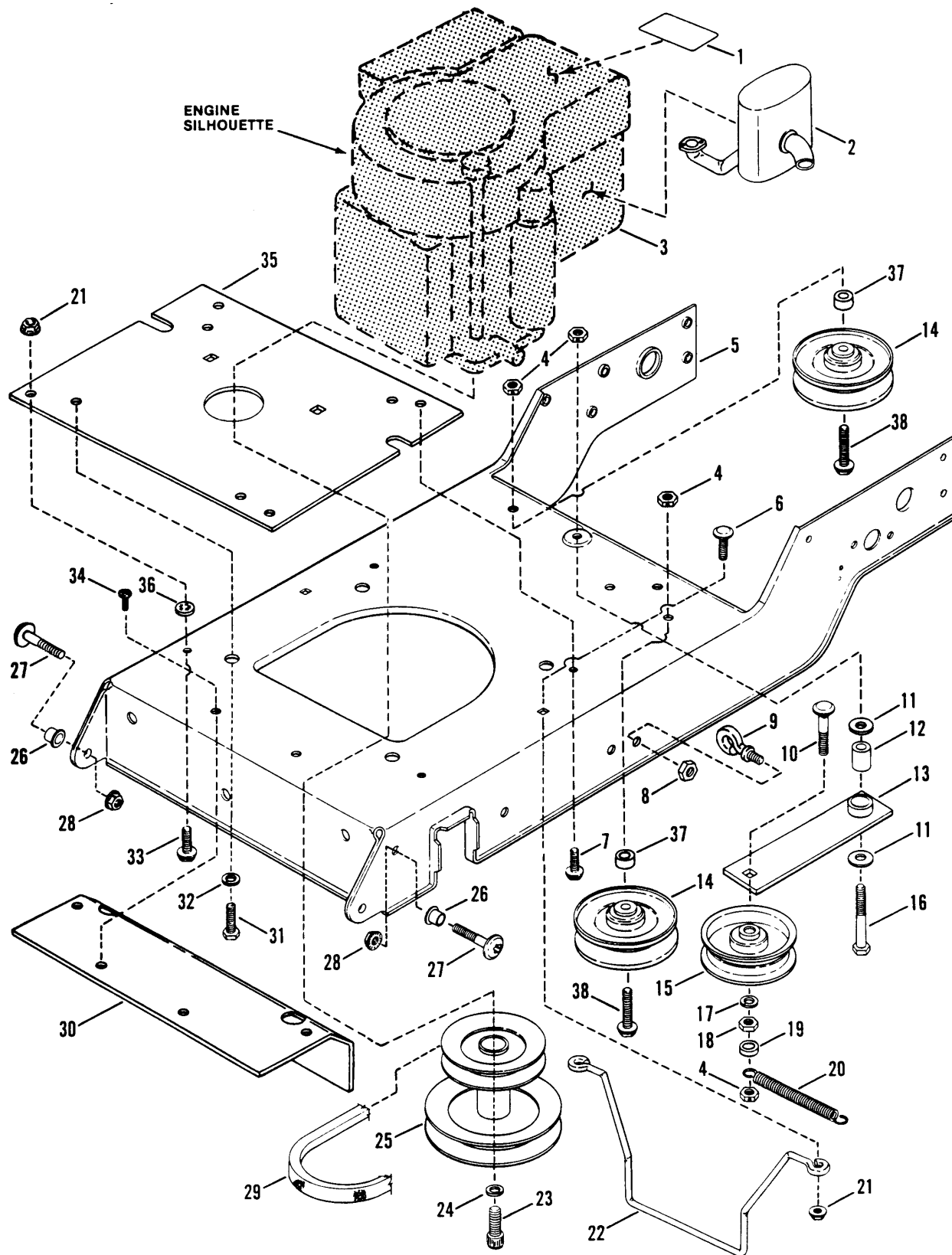
Footnotes:



Engine, Engine Base & Drive Parts

| Item | Part No | Qty | Description | Note |
|------|---------|-----|---|---|
| 1 | 7017358 | 1 | DECAL, Engine 14 HP OHV | |
| 2 | 7017313 | 1 | MUFFLER, Exhaust | |
| 3 | | 1 | ENGINE, Kohler Model CV14S, Spec. PS1431 | <i>(Purchase Engine Parts, Other Than Those Listed, From Engine Service Outlets.)</i> |
| 4 | 7091585 | 4 | NUT, 3/8-16 Hex, Center Lock | <i>Was 90546</i> |
| 5 | 7033145 | 1 | BASE, Engine Kohler | |
| 6 | 7091508 | 2 | BOLT, 5/16-18 x 3/4" Short Neck Carriage | <i>Was 90788</i> |
| 7 | 7090595 | 2 | BOLT, 5/16-18 x 3/4" Flange Lock | |
| 8 | 7091575 | 1 | NUT, 5/16-18 Hex Lock | <i>Was 90184</i> |
| 9 | 7014438 | 1 | EYE-BOLT | |
| 10 | 7091008 | 1 | BOLT, 3/8-16 x 2 1/2" Short Neck Carriage | |
| 11 | 7090517 | 2 | WASHER, 3/8" Flat | <i>Was 90600</i> |
| 12 | 7044752 | 1 | BUSHING, Idler Arm .750 OD x .406 ID x .25 L | <i>Was 22062</i> |
| 13 | 7040565 | 1 | ARM, Idler | |
| 14 | 7011029 | 2 | PULLEY, Idler, 4" O.D. | |
| 15 | 7023199 | 1 | PULLEY, Idler, 3 3/4" O.D. | |
| 16 | 7090629 | 1 | BOLT, 3/8-16 x 2 1/4 Hex | |
| 17 | 7090118 | 1 | WASHER, 3/8 Split Lock | |
| 18 | 7091302 | 1 | NUT, 3/8-16 Hex | <i>Was 90130</i> |
| 19 | 7014527 | 1 | SPACER .623 OD x .38 ID x .25 L | |
| 20 | 7011807 | 1 | SPRING, Idler Arm | |
| 21 | 7091601 | 6 | NUT, 5/16-18 Hex Flange Lock | <i>Was 90585</i> |
| 22 | 7019042 | 1 | GUIDE, Belt | |
| 23 | 7090836 | 1 | SCREW, 7/16-20 Socket, Hex Head Cap | |
| 24 | 7091301 | 1 | WASHER, 7/16 Split Lock | <i>Was 90247</i> |
| 25 | 7019036 | 1 | PULLEY ASSEMBLY, Engine | |
| 26 | 7012306 | 2 | BUSHING | |
| 27 | 7023198 | 2 | SCREW, Shoulder, 3/8-16 x 1 5/8" | |
| 28 | 7091619 | 2 | NUT, 3/8-16 Hex Flange Lock | <i>Was 90613</i> |
| 29 | 7016724 | 1 | V-BELT, Traction Drive, (111.6" EL) LT140H33, LT140H41, & RLT140H33 | |
| 30 | | 1 | AXLE SUPPORT (No longer available) | <i>Was 33100</i> |
| 31 | 7077692 | 4 | BOLT, M8-1.25 x 25MM Hex Head | |
| 32 | 7090187 | 4 | WASHER, 5/16 Split Lock | |
| 33 | 7090661 | 2 | BOLT, 5/16-18 x 1" Hex Flange Lock | |
| 34 | 7091000 | 2 | SCREW, 5/16-18 x 7/8" Truss Head Torx | <i>Was 91001</i> |
| 35 | 7033424 | 1 | SPACER, Kohler Engine | |
| 36 | 7011791 | 2 | RETAINER 5/16" | |
| 37 | 7016719 | 2 | SPACER .750 x .39 ID x .5 L | |

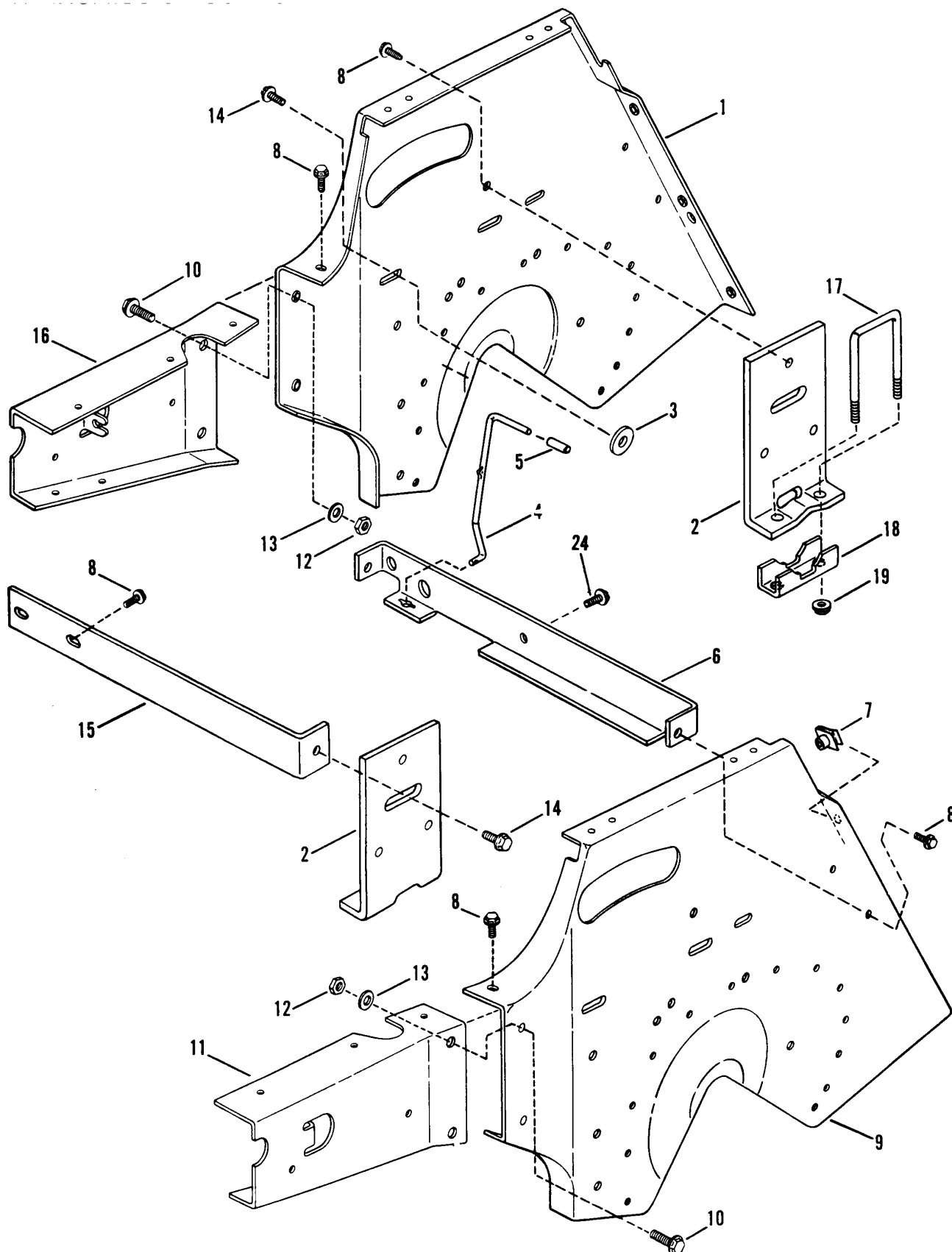
Footnotes:



Engine, Engine Base & Drive Parts

| Item | Part No | Qty | Description | Note |
|-------------|----------------|------------|---------------------------------------|------------------|
| 38 | 7091580 | 2 | BOLT, 3/8-16 x 1 3/4" Hex Flange Lock | <i>Was 90701</i> |

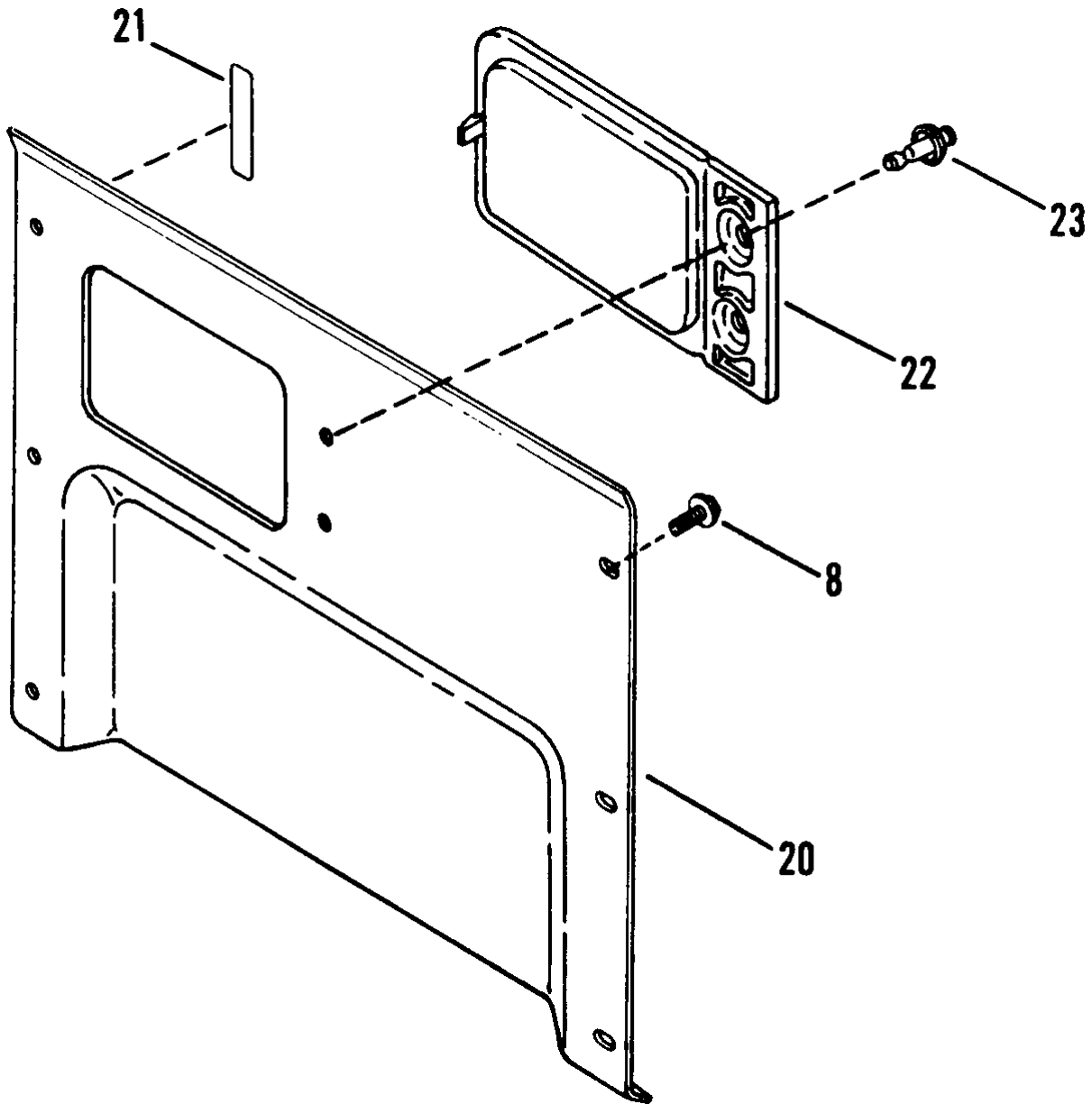
Footnotes:



Transmission Support & Components I

| Item | Part No | Qty | Description | Note |
|-------------|----------------|------------|---|------------------|
| 1 | | 1 | TRANSMISSION SUPPORT, R.H. (No longer available) | <i>Was 33063</i> |
| 2 | | 2 | BRACKET, Transmission Mount (No longer available) | <i>Was 33059</i> |
| 3 | 7016360 | 2 | WASHER .406 x 1.38 x .25 | |
| 4 | 7017164 | 1 | ROD, Release | |
| 5 | 7023606 | 1 | CAP, Release Rod | <i>Was 23525</i> |
| 6 | 7033061 | 1 | BRACE, Torque | |
| 7 | 7016116 | 4 | NUT, 5/16 Push-On | |
| 8 | 7090361 | 14 | SCREW, 5/16-18 x 5/8" Self-Tapping | |
| 9 | | 1 | TRANSMISSION SUPPORT, L.H. (No longer available) | <i>Was 33062</i> |
| 10 | 7027198 | 4 | BOLT, 3/8-16 x 1" Hex Flange Lock | <i>Was 90582</i> |
| 11 | | 1 | EXTENSION, Transmission Support, L.H. (No longer available) | <i>Was 35179</i> |
| 12 | 7091585 | 4 | NUT, 3/8-16 Center Lock | <i>Was 90546</i> |
| 13 | 7090122 | 4 | WASHER, 3/8 SAE | |
| 14 | 7091541 | 2 | SCREW, 5/16-18 x 3/4" Self-Tapping | <i>Was 90368</i> |
| 15 | | 1 | BRACE, Shift Bracket (No longer available) | <i>Was 33065</i> |
| 16 | | 1 | EXTENSION, Transmission Support, R.H. (No longer available) | <i>Was 35180</i> |
| 17 | 7022289 | 2 | U-BOLT | |
| 18 | 7033320 | 2 | SADDLE, U-Bolt | |
| 19 | 7091601 | 2 | NUT, 5/16-18 Hex Flange Lock | <i>Was 90585</i> |
| 24 | 7091000 | 1 | SCREW, 5/16-18 X 7/8" Torx Self-Tap | |

Footnotes:

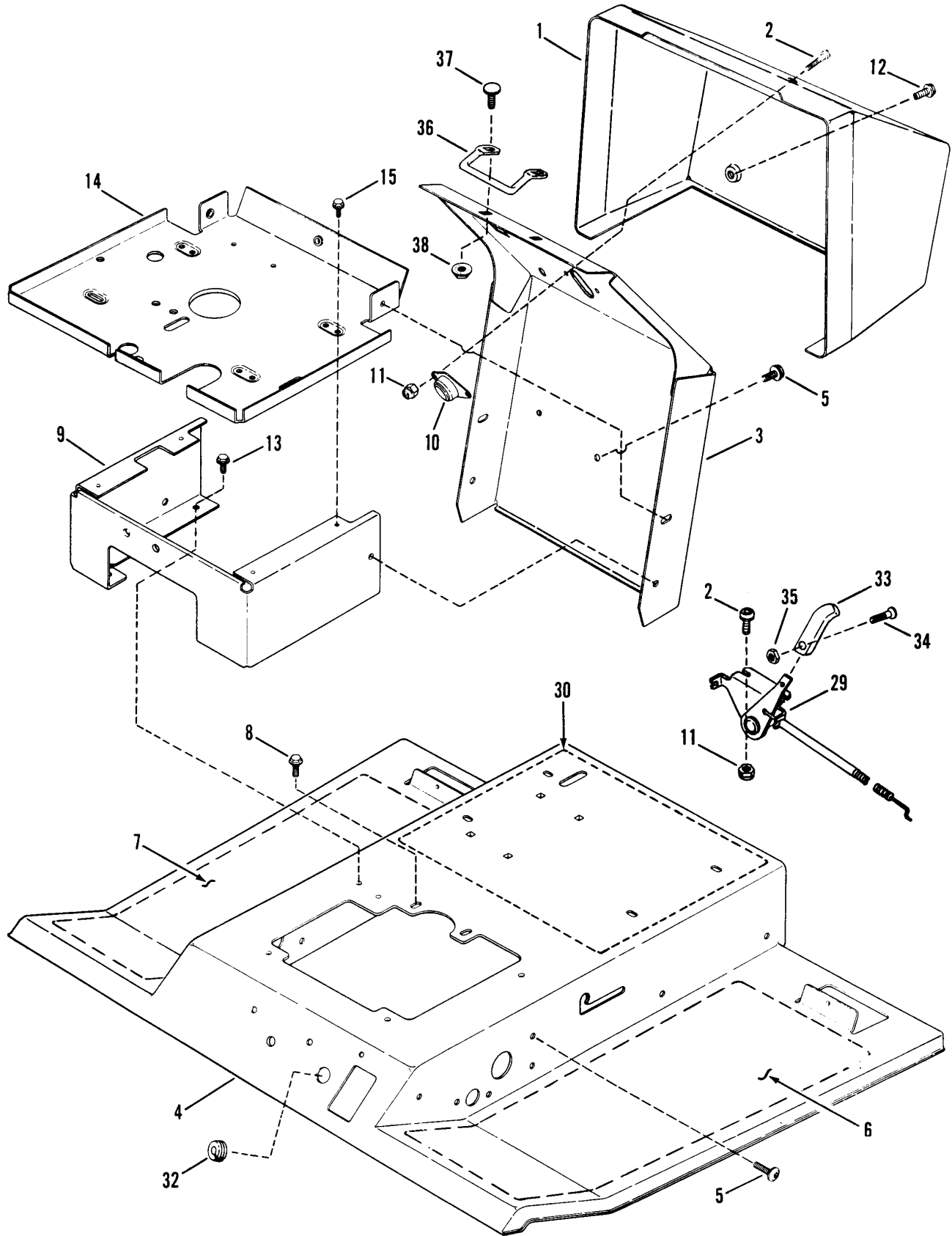


Transmission Support & Components II

| Item | Part No | Qty | Description | Note |
|-------------|----------------|------------|--|------------------|
| 8 | 7090361 | 14 | SCREW, 5/16-18 x 5/8" Self-Tapping | |
| 20 | 7033068 | 1 | COVER, Rear | |
| 21 | 7017209 | 1 | DECAL, Roll | |
| 22 | | 1 | COVER, Transmission Oil Access (No longer available) | <i>Was 16863</i> |
| 23 | 7017327 | 2 | SCREW, Expansion | |

Footnotes:

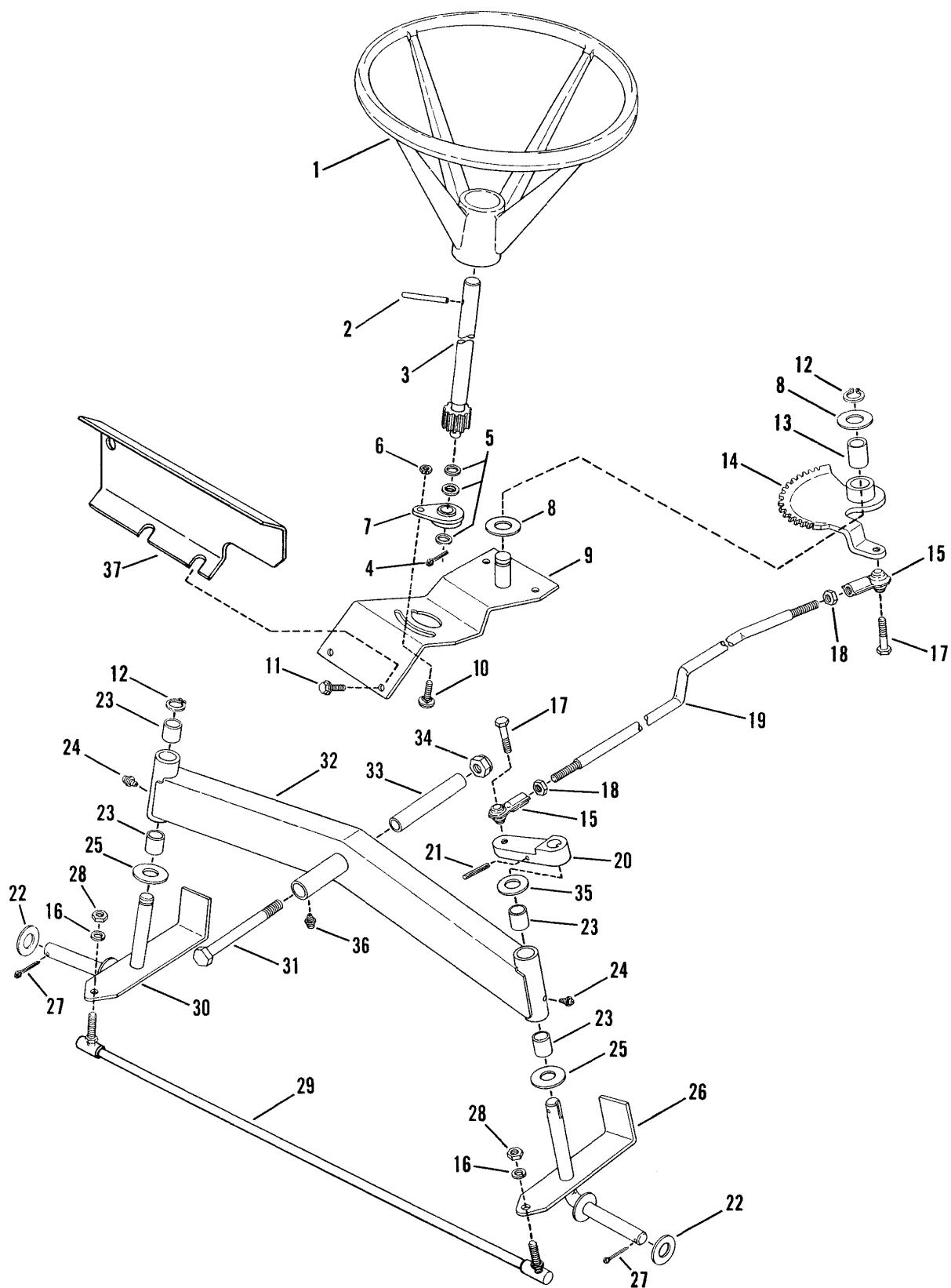
Dash Panel



Dash Panel

| Item | Part No | Qty | Description | Note |
|-------------|----------------|------------|--|---------------------------|
| 1 | 7052685 | 1 | PANEL, Dash | <i>Was 52686</i> |
| 2 | 7090996 | 4 | SCREW, 1/4-20 x 1" Phillips | |
| 3 | 7040734 | 1 | SUPPORT, Steering Shaft | |
| 4 | 7051915 | 1 | CHANNEL, Foot Rest | <i>(Includes item 30)</i> |
| 5 | 7091000 | 14 | SCREW, 5/16-18 x 7/8" Torx, S.T. | <i>Was 91001</i> |
| 6 | 7019400 | 1 | TREAD, Left Side (Non-Skid) | |
| 7 | 7019399 | 1 | TREAD, Right Side (Non-Skid) | |
| 8 | 7090361 | 2 | SCREW, 5/16-18 x 5/8" Hex Cap S.T. | |
| 9 | 7033073 | 1 | MOUNT, Fuel Tank/Battery | |
| 10 | 7026196 | 1 | FLANGE ASSM'Y., Steering Shaft .75" ID Bearing | <i>Was 23173</i> |
| 11 | 7076978 | 4 | NUT, 1/4-20 Hex | |
| 12 | 7090896 | 2 | SCREW, #10-24 x 1/2" Self-Tapping | <i>Was 90853</i> |
| 13 | 7090858 | 4 | SCREW, 5/16-18 x 1/2" Self-Tapping | |
| 14 | 7033078 | 1 | PLATE, Fuel Tank & Battery Mount | |
| 15 | 7091122 | 4 | SCREW, 1/4-20 x 1/2" Hex Cap, S.T. | <i>Was 90539</i> |
| 29 | 7016824 | 1 | CONTROL, Throttle 41.6" Long | |
| 30 | 7017026 | 1 | DECAL, Caution & Instruction | |
| 32 | | 1 | GROMMET, 5/16 I.D. for .75 Hole (No Longer available) | <i>Was 14856</i> |
| 33 | 7023655 | 1 | HANDLE, Throttle Control | |
| 34 | 7091017 | 1 | SCREW, #8-32 x 3/8" Recessed, Fillister Head | |
| 35 | 7091018 | 1 | NUT, #8-32 Hex | |
| 36 | | 1 | ROD, Hood Latch (No longer available, try using 7033828) | <i>Was 17345</i> |
| 37 | 7090803 | 6 | BOLT, 1/4-20 x 5/8" Flat Head Carriage | |
| 38 | 7091584 | 6 | NUT, 1/4-20 Hex Flange Lock | <i>Was 90583</i> |

Footnotes:

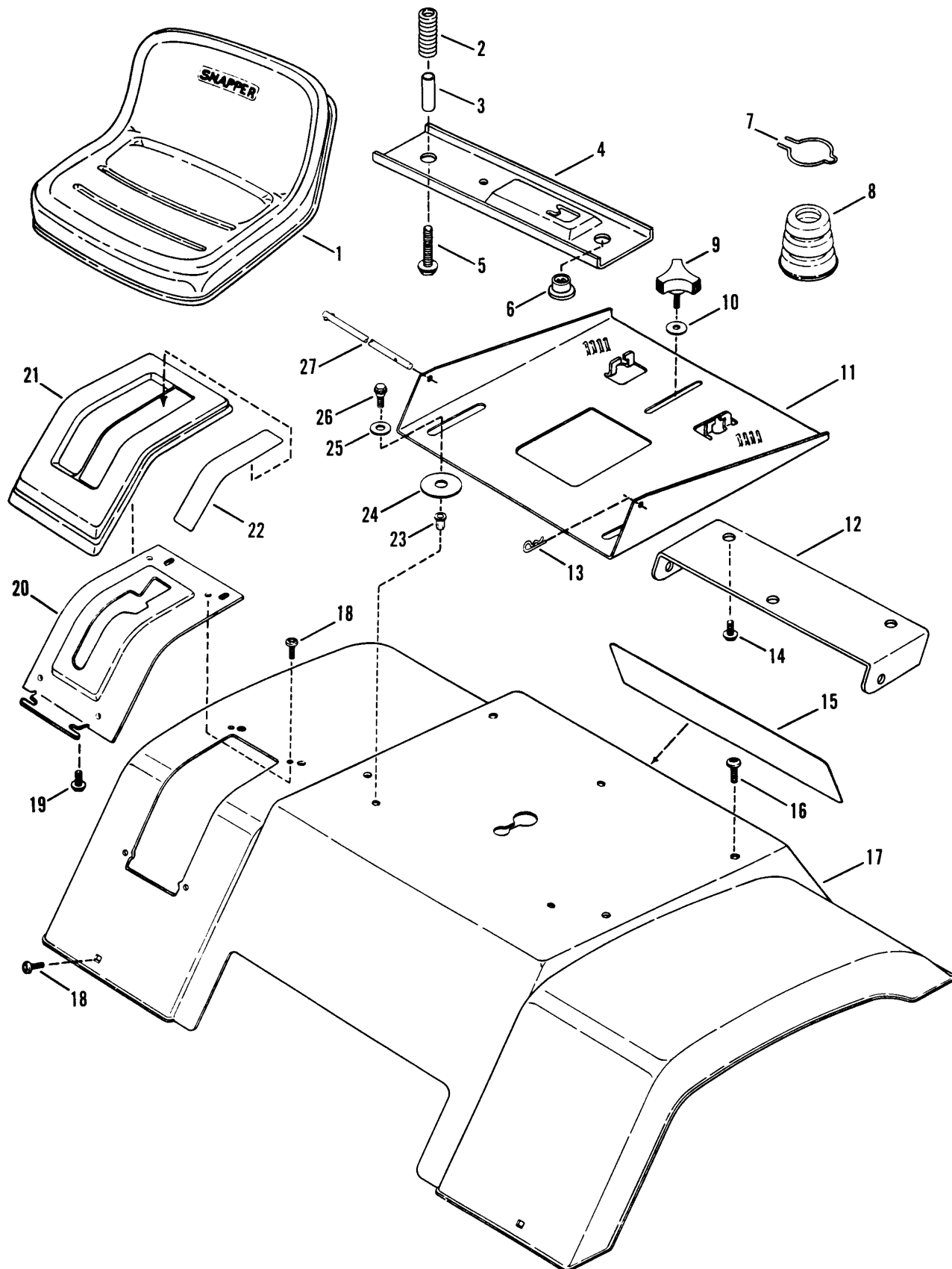


Steering And Front Axle Parts

| Item | Part No | Qty | Description | Note |
|------|---------|-----|---|---|
| 1 | 7017040 | 1 | STEERING WHEEL | |
| 2 | 7012765 | 1 | ROLL-PIN Spiral .26 x 2.25 | |
| 3 | 7040610 | 1 | SHAFT, Steering | |
| 4 | 7091313 | 1 | PIN, Cotter 3/32 x 1.0 YZ | Was 10076 retaining ring |
| 5 | 7014296 | 3 | WASHER, Shim .5 x .75 x .03 | |
| 6 | 7091584 | 1 | NUT, 1/4-20 hex Flange Lock | Was 90583 |
| 7 | 7052562 | 1 | ADJUSTER, Steering | Was 51751 |
| 8 | 7011071 | 2 | WASHER, Thrust | |
| 9 | 7047938 | 1 | ASSEMBLY, Steering Support | |
| 10 | 7091573 | 1 | BOLT, 1/4-20 x 5/8" Short Neck Carriage | Was 90551 |
| 11 | 7090361 | 4 | SCREW, 5/16-18 x 5/8" Self-Tapping | |
| 12 | 7010746 | 2 | RING, Retaining EXT .625 | |
| 13 | 7015140 | 2 | BEARING | |
| 14 | 7051752 | 1 | ASSEMBLY, Sector | |
| 15 | 7027936 | 2 | ROD-END, Drag Link .377 ID Ball x 3/8-24 End | Was 23200 |
| 16 | 7090118 | 4 | WASHER, 3/8 Split Lock | |
| 17 | 7090163 | 2 | SCREW, 3/8-24 x 1 1/4" Hex Head Cap Nylon Patch | |
| 18 | 7090482 | 4 | JAM-NUT, 3/8-24 Hex | |
| 19 | 7016062 | 1 | DRAG-LINK | |
| 20 | 7019034 | 1 | ARM, Steering | |
| 21 | 7090842 | 1 | ROLL-PIN 1/4 x 1.25" | |
| 22 | 7032027 | 3 | WASHER, Flat .77 x 1.5 x .06 | |
| 23 | 7012706 | 4 | BEARING, Sleeve .875 OD | |
| 24 | 7013864 | 2 | LUBE FITTING, Straight (press-fit for .187 dia. Hole) | |
| 25 | 7031036 | 2 | WASHER, Thrust | |
| 26 | 7040977 | 1 | SPINDLE ASSEMBLY, L.H. | |
| 27 | 7091516 | 2 | COTTER-PIN 5/32 x 1 YZ | Was 90364 |
| 28 | 7091630 | 2 | NUT, 3/8-24 Hex | Was 90155 |
| 29 | 7017608 | 1 | TIE-ROD | |
| 30 | 7040976 | 1 | SPINDLE ASSEMBLY, R.H. | |
| 31 | 7090993 | 1 | SCREW, 1/2-20 x 4 1/2" Hex Head Cap | |
| 32 | 7057536 | 1 | ASSEMBLY, Front Axle | (Includes four item 23, two item 24, one item 36) |
| 33 | 7022070 | 1 | SPACER, Axle Pivot .748 OD x .508 ID x 3.77 L | |
| 34 | 7090819 | 1 | NUT, 1/2-20 Hex Lock | |
| 35 | 7010935 | 1 | WASHER .77 x 1.13 x .06 | |
| 36 | 7014871 | 1 | FITTING, Lube 3/16 | |
| 37 | 7033264 | 1 | HEAT SHIELD, Fuel Line | |

Footnotes:

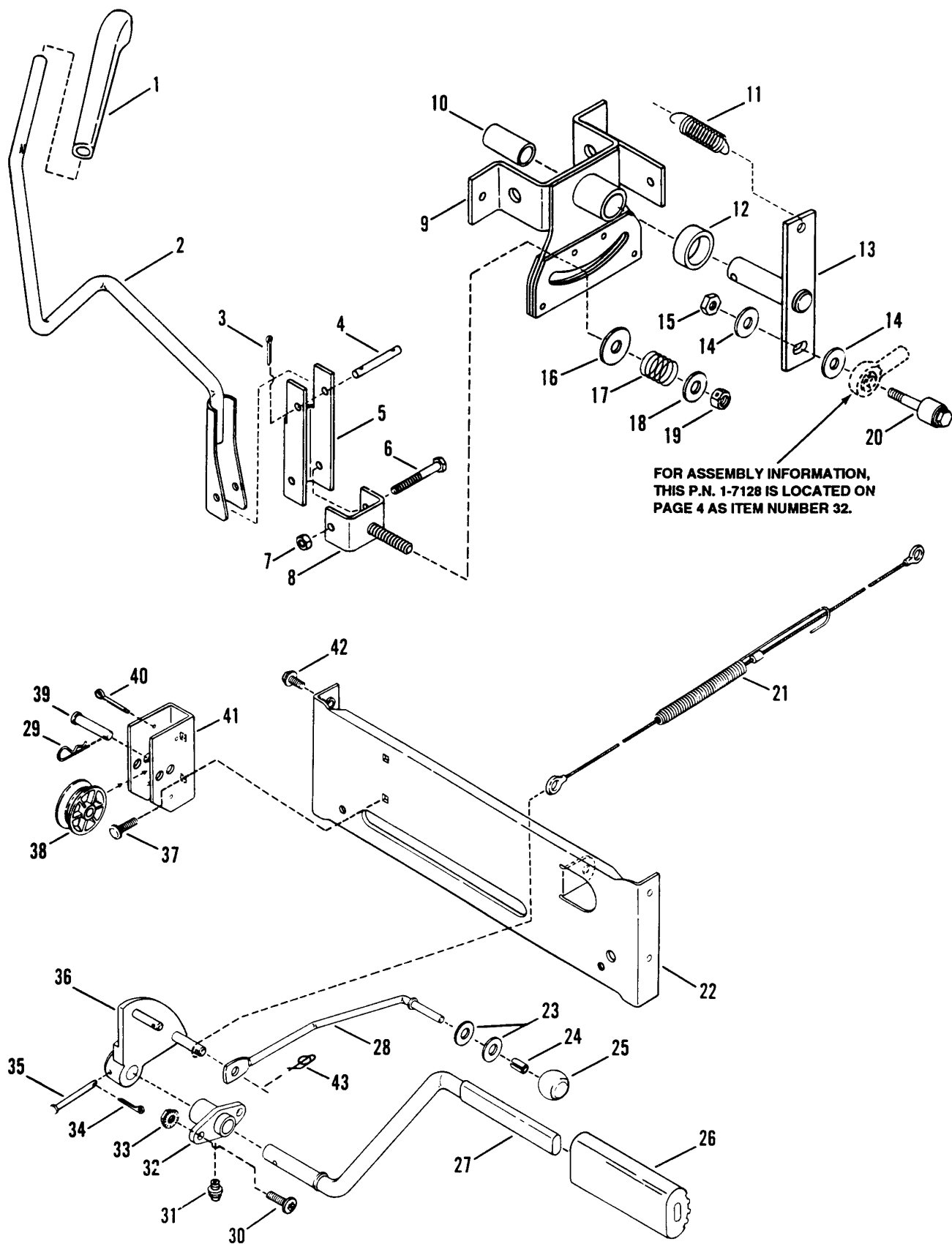
Seat, Rear Fender



Seat, Rear Fender

| Item | Part No | Qty | Description | Note |
|------|---------|-----|--|--------------------|
| 1 | | 1 | SEAT, Operator's 5 Hole (No longer available) | Was 22544 or 22545 |
| 2 | 7022278 | 2 | SPRING, Seat Switch | |
| 3 | 7022794 | 2 | SPACER, Seat .467 OD x .328 x 1.375 L | |
| 4 | 7033362 | 1 | HOLDER, Seat Switch | |
| 5 | 7091592 | 2 | BOLT, 5/16-18 x 2" Hex Flange Lock | Was 90586 |
| 6 | 7022793 | 2 | BUSHING, Seat | |
| 7 | 7019348 | 2 | CLIP, Seat Bumper | |
| 8 | 7019109 | 2 | CUSHION, Seat | |
| 9 | 7023191 | 1 | KNOB, 3 Prong 5/16-18 x 3/4 | |
| 10 | 7011763 | 1 | WASHER 5/16" | |
| 11 | 7033360 | 1 | SUPPORT, Seat | |
| 12 | 7033361 | 1 | BRACKET, Seat Support | |
| 13 | 7012431 | 1 | PIN, Hair 1.12" | |
| 14 | 7090721 | 3 | BOLT, 5/16-18 x 1/2" Hex Flange Lock | |
| 15 | | 1 | DECAL, SNAPPER, Molded Logo 8" - Blue (No longer available) | Was 22971 |
| | | 1 | DECAL, SNAPPER, Molded Logo 8" - Green (No longer available) | Was 22972 |
| 16 | 7091000 | 4 | SCREW, 5/16-18 x 7/8" Torx Head, Self-Tapping | |
| 17 | 7033049 | 1 | FENDER, Rear | |
| 18 | 7090999 | 6 | SCREW, 1/4-20 x 5/8" Torx Head, Self-Tapping | |
| 19 | 7091105 | 4 | SCREW, #10-16 x 1/2" Self-Tapping | |
| 20 | 7033120 | 1 | DETENT, Shift | |
| 21 | 7019416 | 1 | COVER, Shift Detent | |
| 22 | 7073424 | 1 | DECAL, Shift Cover | Was 16576 |
| 23 | 7023193 | 3 | RIV-NUT, 5/16-18 | |
| 24 | 7032692 | 3 | SPACER, WEAR Nylon 2.0 x .62 x .055 | |
| 25 | 7023192 | 2 | WASHER, Flat .445 x 1.0 x .059 | |
| 26 | 7015761 | 2 | SCREW, Shoulder, 5/16-18 x 3/4" | |
| 27 | 7019035 | 1 | ROD, Seat Hinge | |

Footnotes:

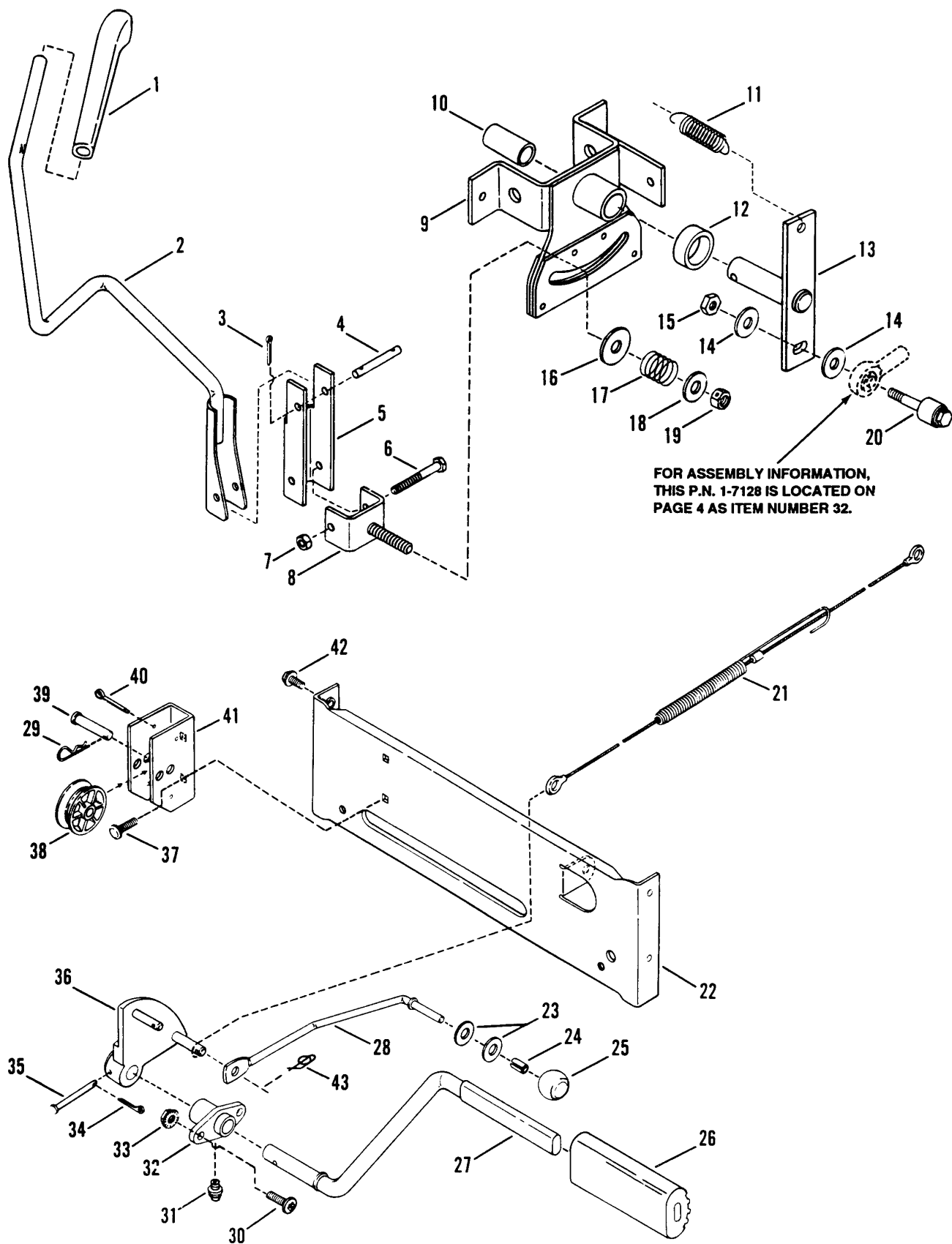


Clutch, Brake & Transmission Controls

| Item | Part No | Qty | Description | Note |
|------|---------|-----|--|--------------------|
| 1 | 7023656 | 1 | KNOB, Shifter (Elongated) | |
| 2 | 7040716 | 1 | SHIFTER, Transmission | |
| 3 | 7091597 | 1 | COTTER-PIN, 3/32 x 3/4" | Was 90037 |
| 4 | 7022182 | 1 | PIN, Shifter | |
| 5 | 7033159 | 1 | EXTENSION, Hub | |
| 6 | 7090112 | 1 | SCREW, 1/4-28 x 2" Hex Head Cap | |
| 7 | 7090303 | 1 | NUT, 1/4-28 Hex Lock | |
| 8 | 7052346 | 1 | RUB PLATE ASSEMBLY | |
| 9 | 7052274 | 1 | SHIFT PIVOT ASSEMBLY | |
| 10 | | 1 | BEARING, Shift Pivot Assembly (No longer available, try using 7015048) | Was 16955 |
| 11 | 7017818 | 1 | SPRING, Shift | |
| 12 | 7017820 | 1 | SPACER, 1.0 OD x .755 ID x .310 L | |
| 13 | 7040704 | 1 | SPEED CONTROL | |
| 14 | 7091130 | 2 | WASHER, 5/16 Flat | |
| 15 | 7091297 | 1 | NUT, 5/16-24 Hex | Was 90223 |
| 16 | 7017415 | 1 | WASHER, Special | |
| 17 | 7017416 | 1 | SPRING, Tension | |
| 18 | 7090517 | 1 | WASHER, 3/8" Flat | Was 90600 |
| 19 | 7090289 | 1 | NUT, 3/8-24 Hex Lock | |
| 20 | 7017543 | 1 | CAM FOLLOWER | |
| 21 | 7019039 | 1 | CABLE, Clutch (22.5" Long) | |
| 22 | 7032926 | 1 | BRACE | |
| 23 | 7023649 | 2 | WASHER, Nylon 5/16" | |
| 24 | 7023189 | 1 | RING, Tolerance 5/16" x 1/2" | |
| 25 | 7023188 | 1 | KNOB, Latch 5/16" | |
| 26 | 7012661 | 1 | PAD, Pedal | |
| 27 | 7017024 | 1 | PEDAL, Clutch/Brake | |
| 28 | 7019033 | 1 | LATCH, Clutch/Brake | |
| 29 | 7012431 | | PIN, Hair 1.12" | |
| 30 | 7091000 | 2 | SCREW, 5/16-18 x 7/8" Torx | |
| 31 | 7014871 | 1 | FITTING, Lube 3/16" | |
| 32 | 7052431 | 1 | PIVOT, Clutch/Brake Pedal | (Includes item 31) |
| 33 | 7091601 | 2 | NUT, 5/16-18 Hex Lock | Was 90585 |
| 34 | 7090360 | 1 | COTTER-PIN, 1/16 x 3/4" | |
| 35 | 7023645 | 1 | PIN, Clevis, 3/16 x 1 1/2" | |
| 36 | 7041309 | 1 | BRAKE ARM | Was 41016 |
| 37 | 7091530 | 2 | BOLT, 1/4-20 x 3/4" Short Neck Carriage | Was 90074 |

Footnotes:

Clutch, Brake & Transmission Controls

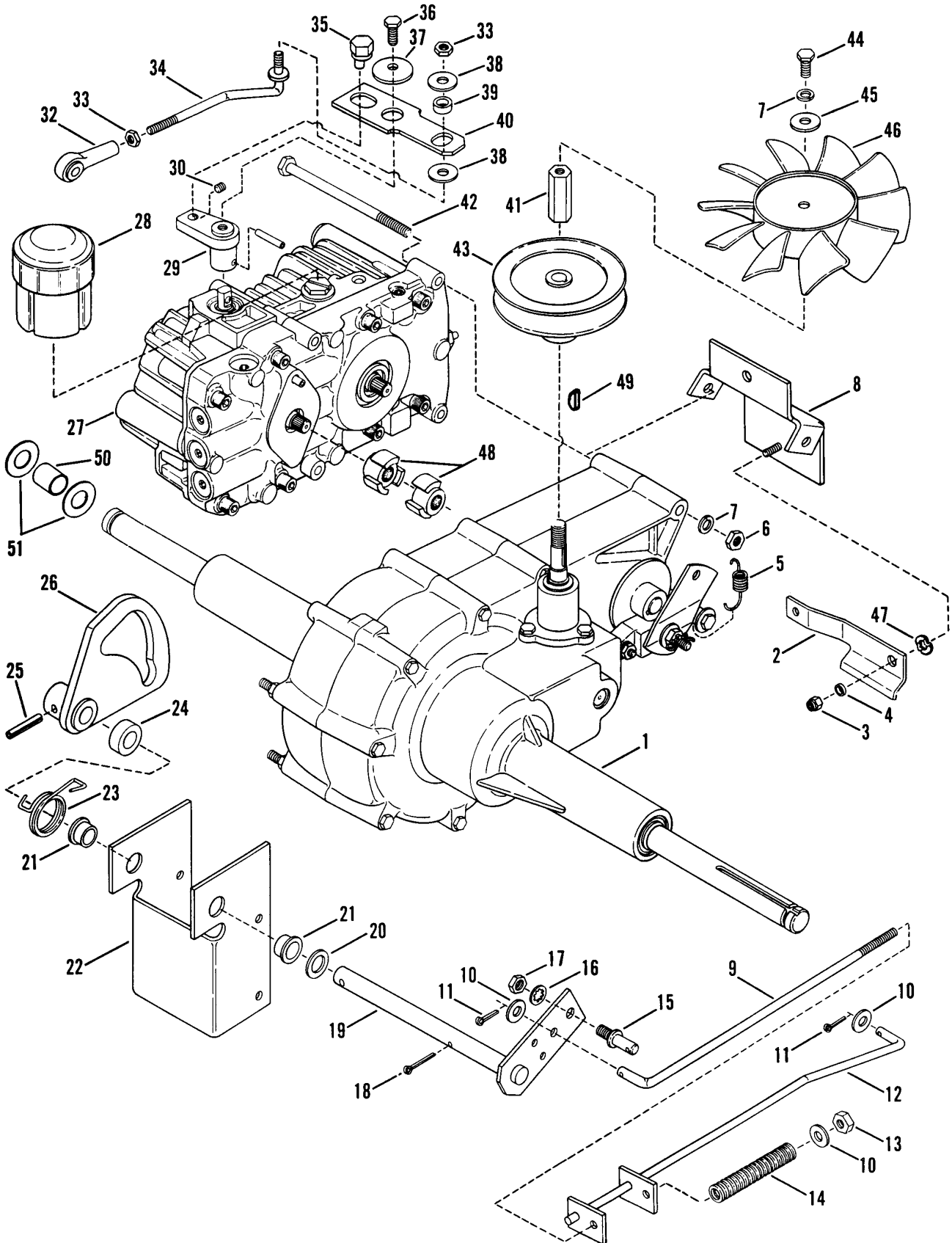


Clutch, Brake & Transmission Controls

| Item | Part No | Qty | Description | Note |
|-------------|----------------|------------|--|---------------------------|
| 38 | 7023182 | 1 | SPOOL, Bracket | |
| 39 | 7012715 | 1 | PIN, Clevis, 3/8 x 1 9/32" | |
| 40 | 7091809 | 1 | COTTER-PIN, 1/8 x 1 1/4" | <i>Was 90042</i> |
| 41 | | 1 | BRACKET, Spool (No longer available, try modifying 7033328 to fit) | <i>Was 32694 or 33154</i> |
| 42 | 7090858 | 4 | SCREW, 5/16-18 x 1/2" Self-Tapping | |
| 43 | 7091593 | 1 | COTTER-PIN, 3/8 Self-Lock | <i>Was 24159</i> |

Footnotes:

Transmission Group

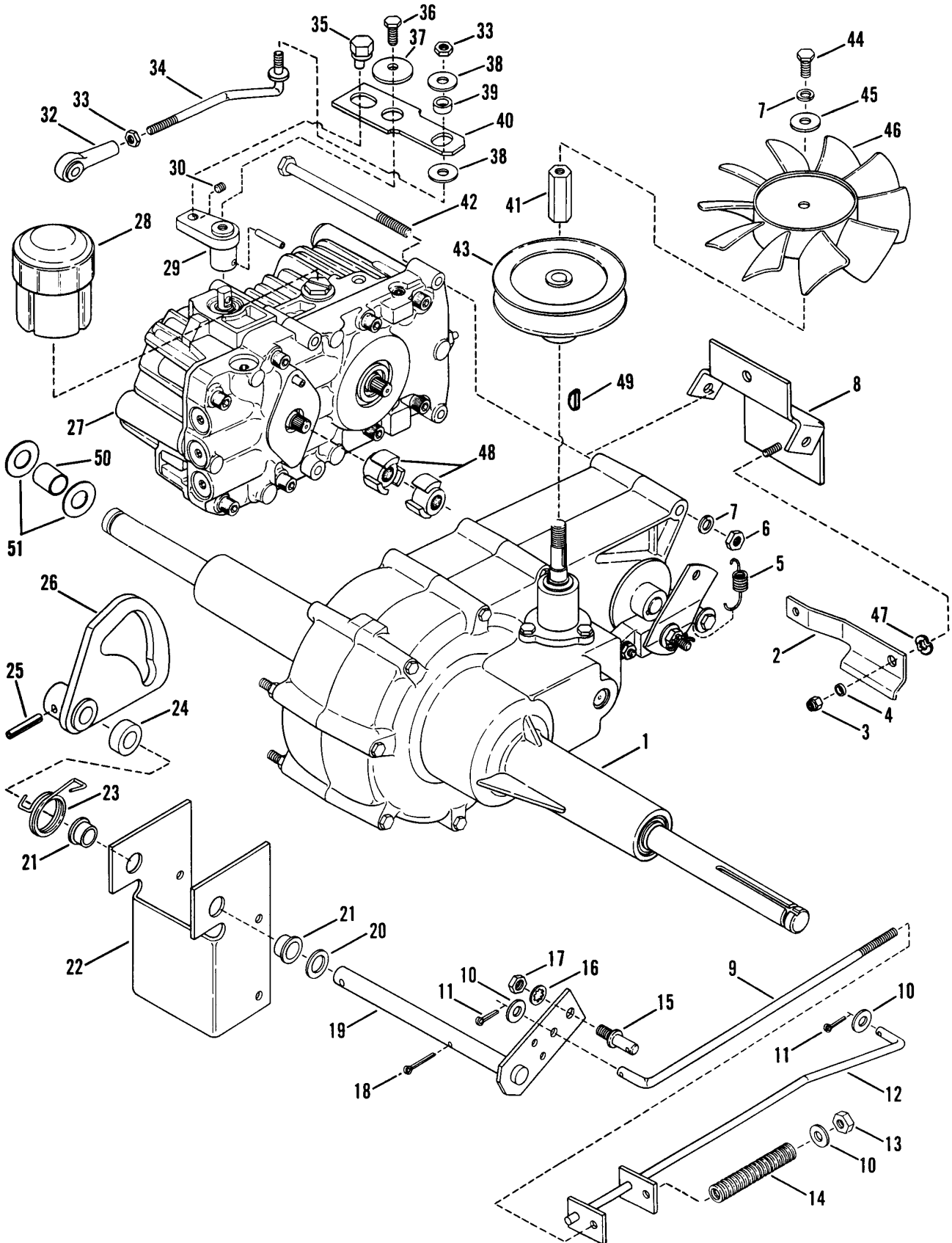


Transmission Group

| Item | Part No | Qty | Description | Note |
|------|---------|-----|--|-----------|
| 1 | 7026084 | 1 | TRANSAXLE ASSEMBLY | Was 19725 |
| 2 | 7033133 | 1 | LEVER, Release | |
| 3 | 7076978 | 1 | NUT, 1/4-20 Hex Lock | |
| 4 | 7017166 | 1 | SPACER .37 OD x .271 ID x .120 L | |
| 5 | 7016927 | 1 | SPRING, Brake Return | |
| 6 | 7091511 | 4 | NUT, 5/16-18 Hex | Was 90628 |
| 7 | 7090187 | 1 | WASHER, 5/16 Split Lock | |
| 8 | 7052281 | 1 | TORQUE BRACKET ASSEMBLY | |
| 9 | 7017121 | 1 | ROD, Brake Spring | |
| 10 | 7090692 | 3 | WASHER 5/16 x 7/8 x .083 | |
| 11 | 7091598 | 2 | COTTER-PIN, 5/32 x 1" | Was 90365 |
| 12 | 7040702 | 1 | ROD, Brake Stop | |
| 13 | 7091575 | 1 | NUT, 5/16-18 Hex Center Lock | Was 90184 |
| 14 | 7016721 | 1 | SPRING, Brake | |
| 15 | 7015464 | 1 | STUD, Neutral Pivot | |
| 16 | 7090390 | 1 | WASHER, 3/8 Internal Tooth Lock | |
| 17 | 7091630 | 1 | NUT, 3/8-24 Hex | Was 90155 |
| 18 | 7091809 | 1 | COTTER-PIN, 1/8 x 1 1/4" | Was 90042 |
| 19 | 7040703 | 1 | NEUTRAL PIVOT ASSEMBLY | |
| 20 | 7072801 | 1 | WASHER | Was 12855 |
| 21 | | 2 | BEARING, 5/8 Flanged Nylon .625 ID x .719 x .325 (No longer available) | Was 16956 |
| 22 | 7033056 | 1 | SUPPORT, Neutral Pivot | |
| 23 | 7016723 | 1 | SPRING, Torsion | |
| 24 | | 1 | SPACER, 1.120 OD x .635 ID x .38 L (No longer available) | Was 17165 |
| 25 | 7090842 | 1 | PIN, Roll, 1/4 x 1 1/4" | |
| 26 | 7016715 | 1 | CAM, Neutral Return | |
| 27 | 7016726 | 1 | TRANSMISSION, Hydro (HG BDU-105-120) | |
| 28 | 7016727 | 1 | RESERVOIR ASSEMBLY (HG 2003081) | |
| 29 | 7016712 | 1 | HUB, Speed Control | |
| 30 | | 1 | SCREW, 1/4-28, 1/8 Hex Socket Set (No longer available, try using 7077667) | Was 13670 |
| 31 | 7017732 | 1 | PIN, Spiral 5 MM x 36 MM | |
| 32 | 7027139 | 1 | ROD END, Speed Control | Was 17128 |
| 33 | 7091297 | 2 | NUT, 5/16-24 Hex | Was 90223 |
| 34 | | 1 | ROD, Adjustment 4.41" l, 5/16-24 Ends (No longer available) | Was 17816 |
| 35 | 7016729 | 1 | PIN, Eccentric | |
| 36 | 7090534 | 1 | SCREW, 5/16-18 x 1/2" Hex Head Cap | Was 90203 |
| 37 | 7014263 | 1 | WASHER, Cone .32 x 1.4 x .1 | |

Footnotes:

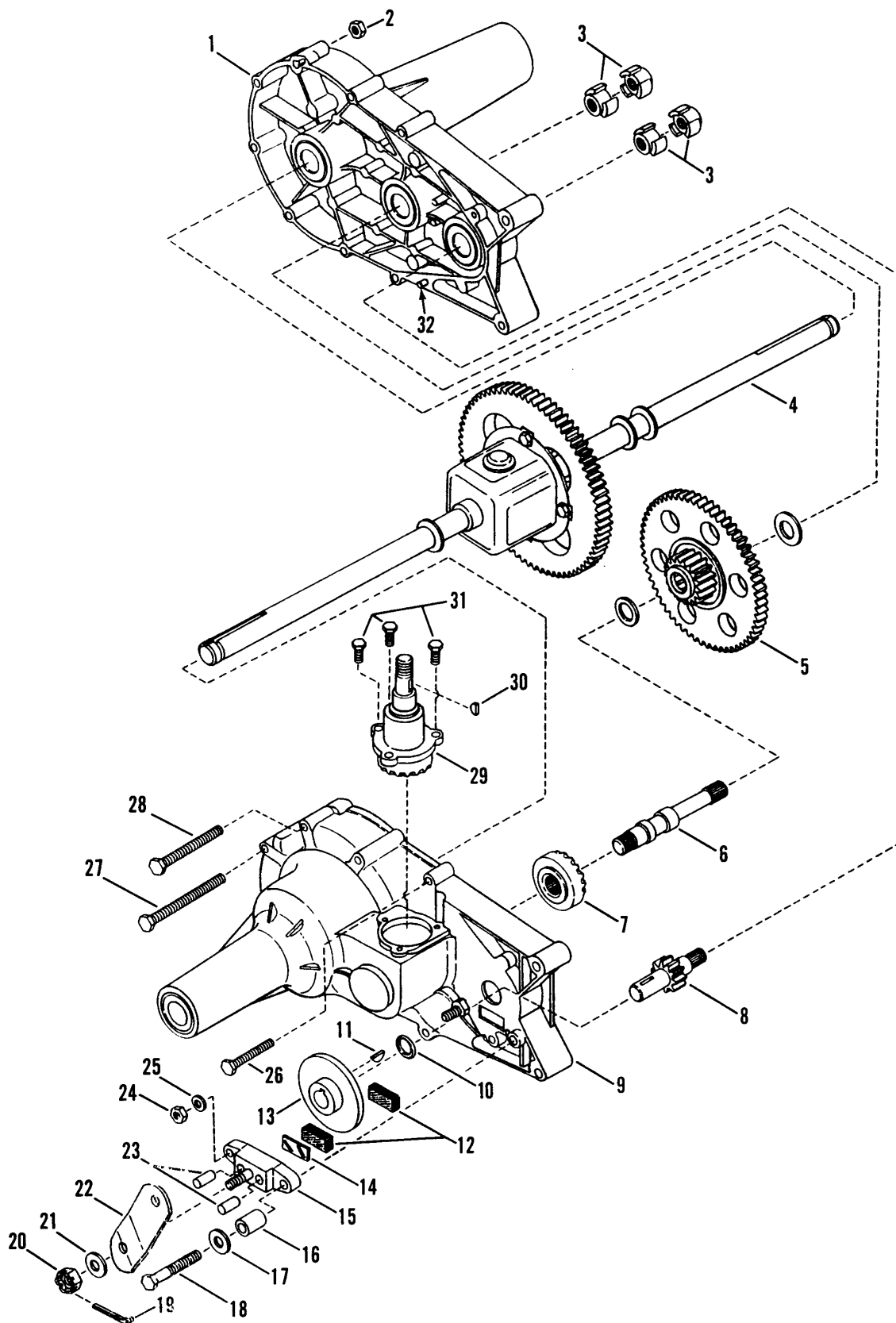
Transmission Group



Transmission Group

| Item | Part No | Qty | Description | Note |
|------|---------|-----|--|-------------|
| 38 | 7091130 | 2 | WASHER, Flat .327 x .875 x .09 | |
| 39 | 7011968 | 1 | ROLLER | |
| 40 | 7033054 | 1 | PLATE, Speed Control | |
| 41 | | 1 | NUT, Special 3/4 Hex Stock/5/16-24 Thru/9/16-18x1.0 Deep (No longer available) | Was 16717 |
| 42 | 7076940 | 3 | SCREW, 5/16-18 x 4 1/2" Hex Head Cap | |
| | 7090924 | 1 | SCREW, 5/16-18 x 4 1/8" Hex Head Cap | (Not Shown) |
| 43 | 7016716 | 1 | PULLEY, Drive | |
| 44 | 7090322 | 1 | SCREW, 5/16-24 x 1/2" Hex Head Cap | |
| 45 | 7011763 | 1 | WASHER, Fender 5/16 | |
| 46 | 7016728 | 1 | FAN, 7" DIA 10 Blade | |
| 47 | 5023202 | 1 | WASHER, 3/8 Wave | Was 17855 |
| 48 | 7024235 | 4 | PUMP COUPLING | |
| 49 | 7024425 | 1 | KEY, 3/32" X 5/8" Hi-pro | |
| 50 | 7072385 | 1 | SPACER 1.25 OD x .791 ID x 1.115 L | Was 24858 |
| 51 | 7032027 | 2 | WASHER, 3/4" Flat | |

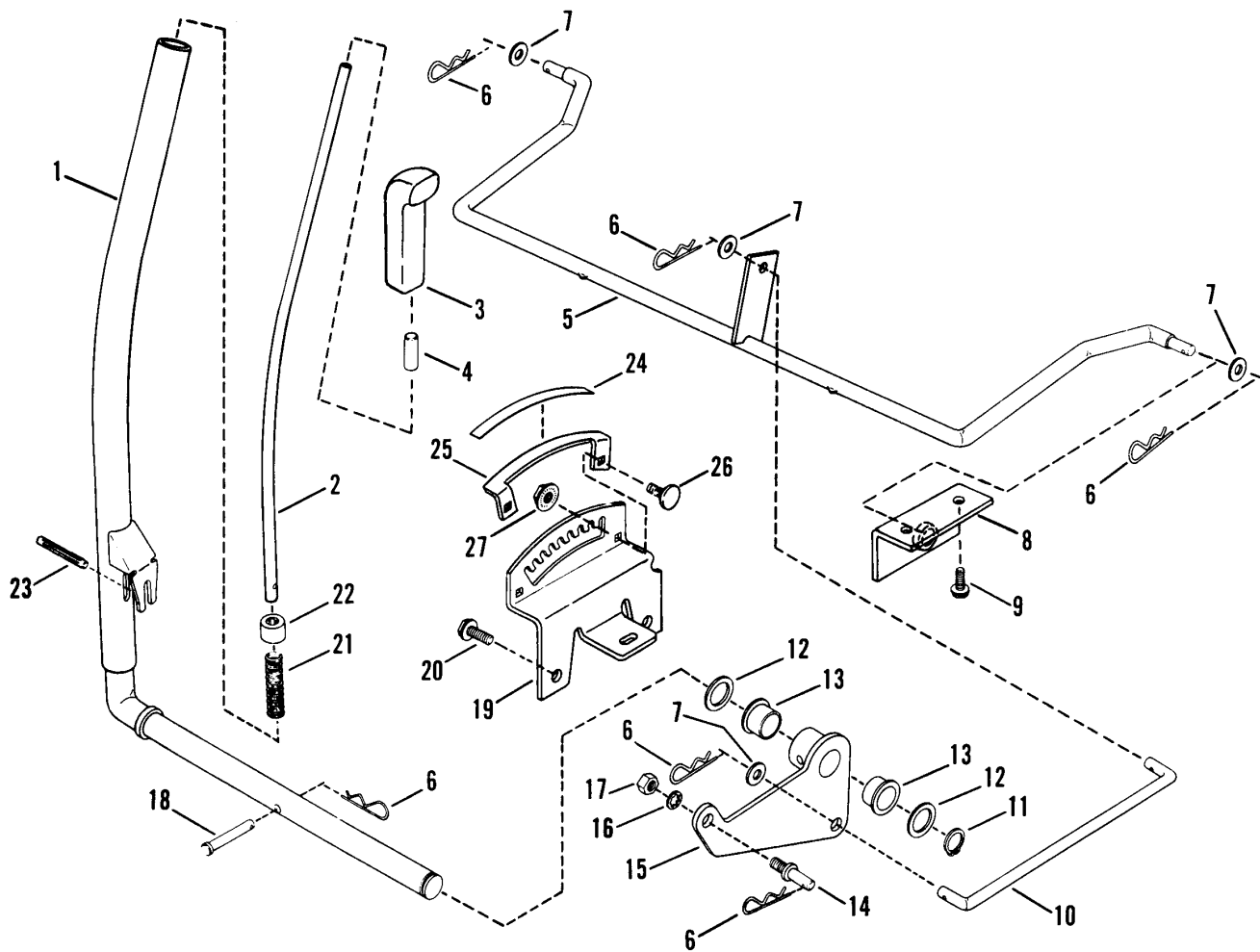
Footnotes:



Transmission - Service Parts

| Item | Part No | Qty | Description | Note |
|------|---------|-----|---|-----------|
| 1 | 7024395 | 1 | TRANSAXLE ASSEMBLY HOUSING, L.H. | |
| 2 | 7091511 | 9 | NUT, 5/16-18 Hex | Was 90628 |
| 3 | 7024235 | 4 | PUMP COUPLING | |
| 4 | 7024397 | 1 | DIFFERENTIAL ASSEMBLY | |
| 5 | 7024399 | 1 | REDUCTION GEAR ASSEMBLY | |
| 6 | 7024400 | 1 | SHAFT, Drive | |
| 7 | 7024401 | 1 | GEAR, Drive Pinion | |
| 8 | 7024402 | 1 | SHAFT, Pinion Gear | |
| 9 | 7024396 | 1 | TRANSAXLE ASSEMBLY HOUSING, R.H. | |
| 10 | 7024428 | 1 | SEAL, Grease | |
| 11 | 7024416 | 1 | KEY, 3/16 x 5/8" Hi-Pro | |
| 12 | 7024404 | 2 | PUCK, Brake | |
| 13 | 7024403 | 1 | DISC, Brake | |
| 14 | 7024405 | 1 | PLATE, Puck | |
| 15 | 7024406 | 1 | BRAKE YOKE ASSEMBLY | |
| 16 | 7024420 | 1 | SPACER | |
| 17 | 7024419 | 1 | WASHER, Flat, .265 I.D. x 7/8" O.D. | |
| 18 | 1921963 | 1 | BOLT, 1/4-20 x 2" Hex | Was 24418 |
| 19 | 7024412 | 1 | PIN, Cotter | |
| 20 | 7024411 | 1 | NUT, 5/16-24 Castle | |
| 21 | 7024410 | 1 | WASHER, Flat, .343 I.D. x .88" O.D. | |
| 22 | 7024409 | 1 | ARM, Brake Actuator | |
| 23 | 7024408 | 2 | PIN, Brake Actuating | |
| 24 | 2816622 | 1 | NUT, 1/4-20 Hex | Was 24414 |
| 25 | 7024415 | 1 | WASHER, 1/4 Spring Lock | |
| 26 | 7024421 | 4 | BOLT, 1/4-20 x 2" Hex Hd., Self-Tapping | |
| 27 | 7024424 | 1 | BOLT, 5/16-18 x 3 3/4" Hex Head | |
| 28 | 7024422 | 4 | BOLT, 1/4-20 x 3" Hex Hd., Self-Tapping | |
| 29 | 7024398 | 1 | INPUT PINION HOUSING ASSEMBLY | |
| 30 | 7024425 | 1 | KEY, 3/32 x 5/8" Hi-Pro | |
| 31 | 7024413 | 3 | SCREW, 1/4-20 x 3/4" Hex Head | |
| 32 | 7090841 | 2 | PIN, Roll, 3/16 x 1.5" | Was 24427 |

Footnotes:

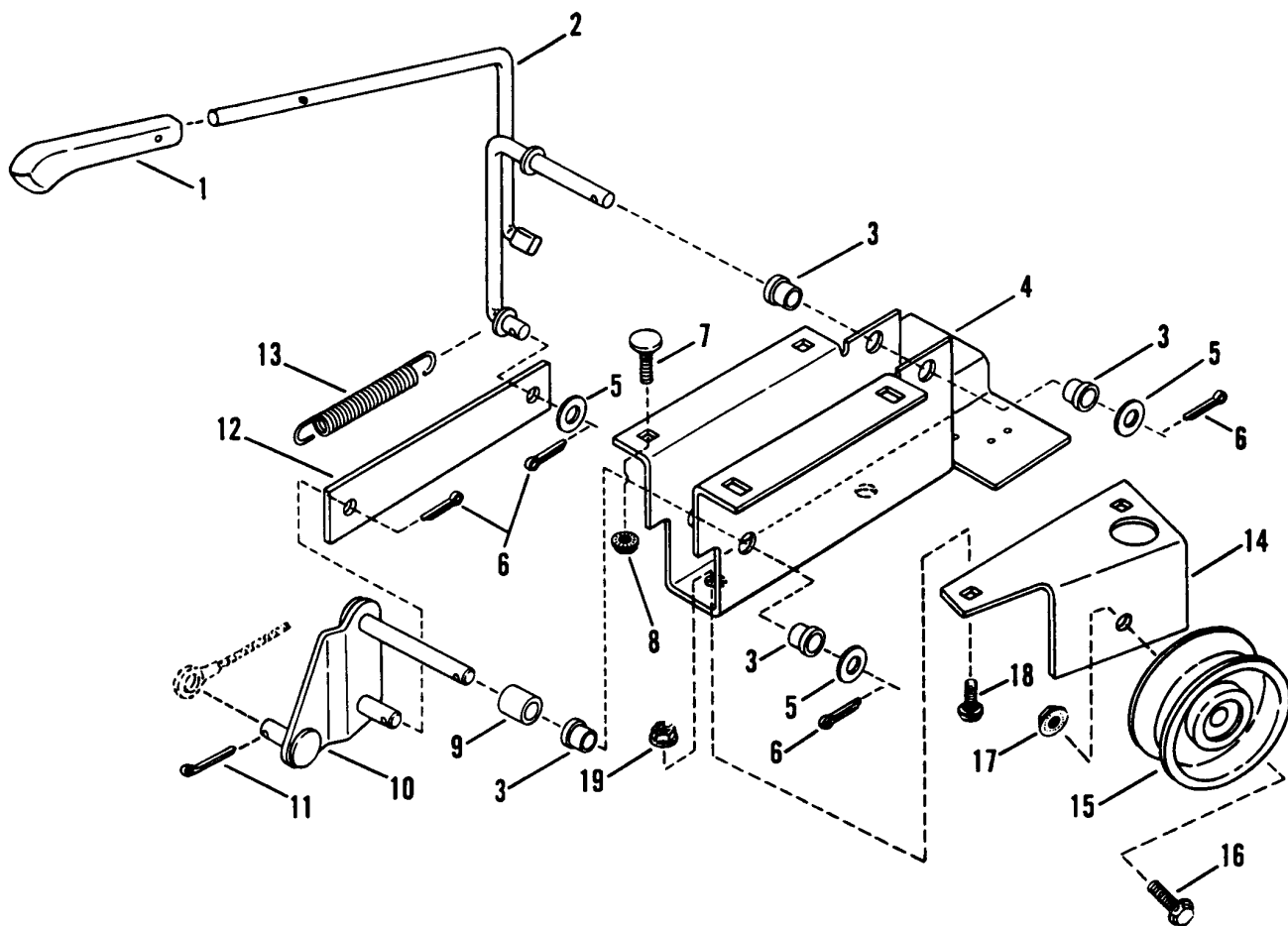


Implement Lift Parts

| Item | Part No | Qty | Description | Note |
|------|---------|-----|---------------------------------------|-----------|
| 1 | 7040698 | 1 | ARM, Implement Lift Lever | |
| 2 | 7033047 | 1 | ROD, Lift Lever | |
| 3 | 7019363 | 1 | GRIP, Lift Lever | |
| 4 | 7014361 | 1 | CAP, Lift Release | |
| 5 | 7047967 | 1 | ARM, Rear Lift | |
| 6 | 7091503 | 6 | PIN, Hair, 3/32 x 1 1/2" | Was 15067 |
| 7 | 7090122 | 4 | WASHER, 3/8 SAE Flat | |
| 8 | 7033737 | 2 | BRACKET, Hanger | Was 33419 |
| 9 | 7090361 | 4 | SCREW, 5/16-18 x 5/8" H.W.H.S.T. | |
| 10 | 7023171 | 1 | LIFT-ROD | |
| 11 | 7015020 | 1 | RING, Retaining EXT 7/8" | |
| 12 | 7014354 | 2 | WASHER, Lift Lever .905 x 1.25 x .091 | |
| 13 | 7023197 | 2 | BEARING, Lift Lever | |
| 14 | 7015464 | 1 | STUD | |
| 15 | 7047933 | 1 | PIVOT ASSEMBLY, Lift Lever | |
| 16 | 7090390 | 1 | WASHER, 3/8 Int. Tooth Lock | |
| 17 | 7091630 | 1 | NUT, 3/8-24 Hex | Was 90155 |
| 18 | 7029841 | 1 | PIN, Clevis, 5/16 x 1 11/16" | Was 12407 |
| 19 | 7033046 | 1 | QUADRANT, Lift Lever | |
| 20 | 7091000 | 3 | SCREW, 5/16-18 x 7/8" Self-Tapping | Was 91001 |
| 21 | 7014432 | 1 | SPRING, Lift Lever | |
| 22 | 7015019 | 1 | PLUG, Lift Lever Nylon | |
| 23 | 7090881 | 1 | GROOVE-PIN, 3/16 x 2" | |
| 24 | 7017445 | 1 | DECAL, Cut Height | |
| 25 | 7033176 | 1 | INDICATOR, Cut Height | |
| 26 | 7090803 | 2 | BOLT, 1/4-20 x 5/8" Flt. Hd. Carr. | |
| 27 | 7091584 | 2 | NUT 1/4-20 Hex Flg. Lock | Was 90583 |

Footnotes:

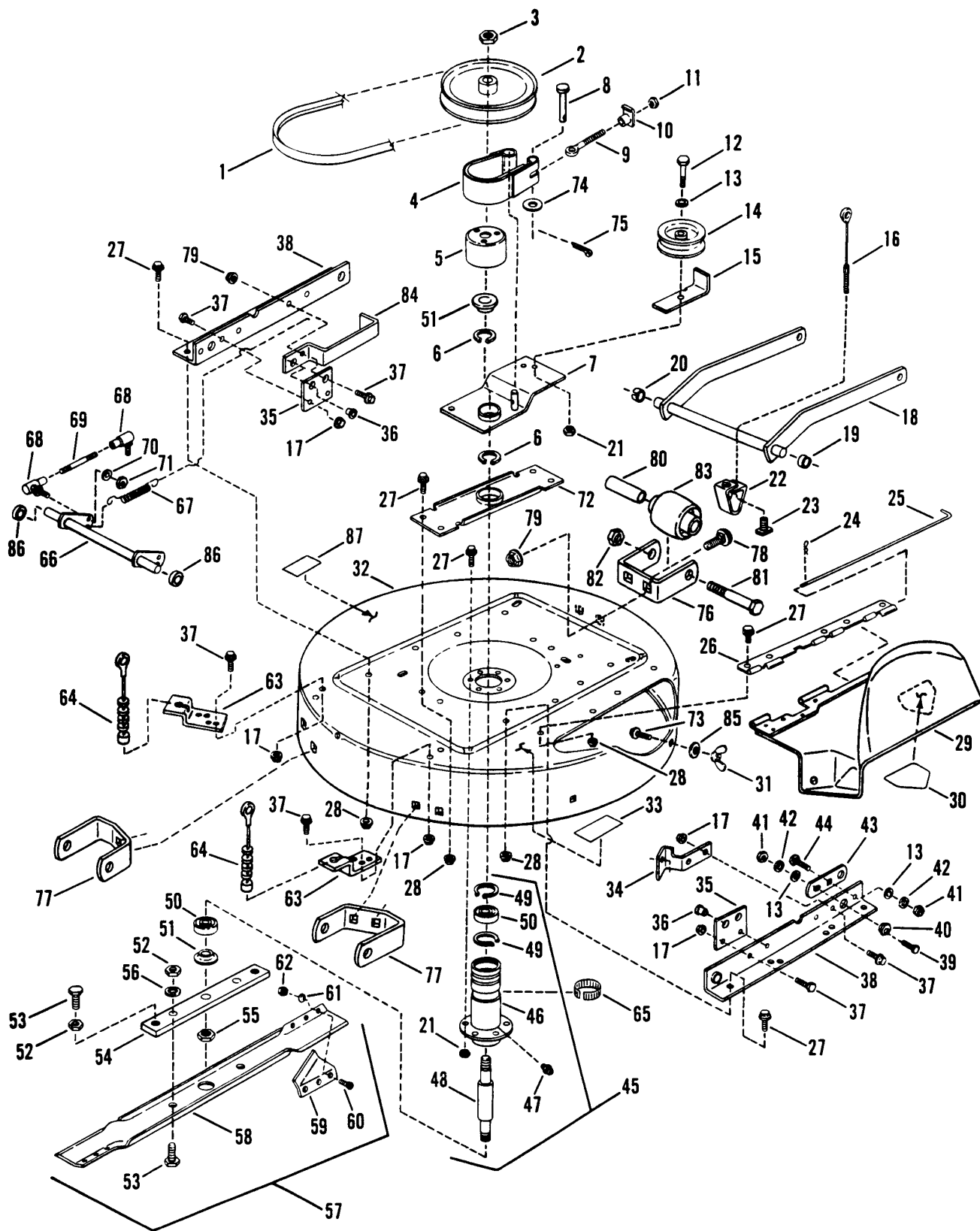
Blade Engagement



Blade Engagement

| Item | Part No | Qty | Description | Note |
|-------------|----------------|------------|--|------------------|
| 1 | 7016356 | 1 | KNOB, Handle 7/16" | |
| 2 | | 1 | HANDLE, Blade Engagement (No longer available) | <i>Was 40996</i> |
| 3 | 7013321 | 4 | BUSHING | |
| 4 | 7033364 | 1 | BRACKET, Handle | |
| 5 | 7090122 | 3 | WASHER, 3/8 SAE YZ | |
| 6 | 7091597 | 4 | COTTER-PIN, 3/32 x 3/4" | <i>Was 90037</i> |
| 7 | 7090803 | 4 | BOLT, 1/4-20 x 5/8 Flat Hd. Carriage | |
| 8 | 7091584 | 4 | NUT, 1/4-20 Hex Flange Lock | <i>Was 90583</i> |
| 9 | 7023206 | 1 | SPACER .625 OD x .380 ID x .560 L | |
| 10 | 7040570 | 1 | PIVOT ARM ASSEMBLY | |
| 11 | 7091313 | 1 | COTTER-PIN, 3/32 x 1" | <i>Was 90038</i> |
| 12 | 7032712 | 1 | LINK | |
| 13 | 7023165 | 1 | SPRING, Return | |
| 14 | 7033277 | 1 | BRACKET, Idler Support | |
| 15 | 7017748 | 1 | PULLEY, Idler 2.75" OD | |
| 16 | 7091580 | 1 | BOLT, 3/8-16 x 1 3/4" Hex Flange Lock | <i>Was 90701</i> |
| 17 | 7091619 | 1 | NUT, 3/8-16 Hex Lock | <i>Was 90613</i> |
| 18 | 7090731 | 2 | BOLT, 5/16-18 x 1/2" Short Neck Carr. | |
| 19 | 7091601 | 2 | NUT, 5/16-18 Hex Lock Flanged | <i>Was 90585</i> |

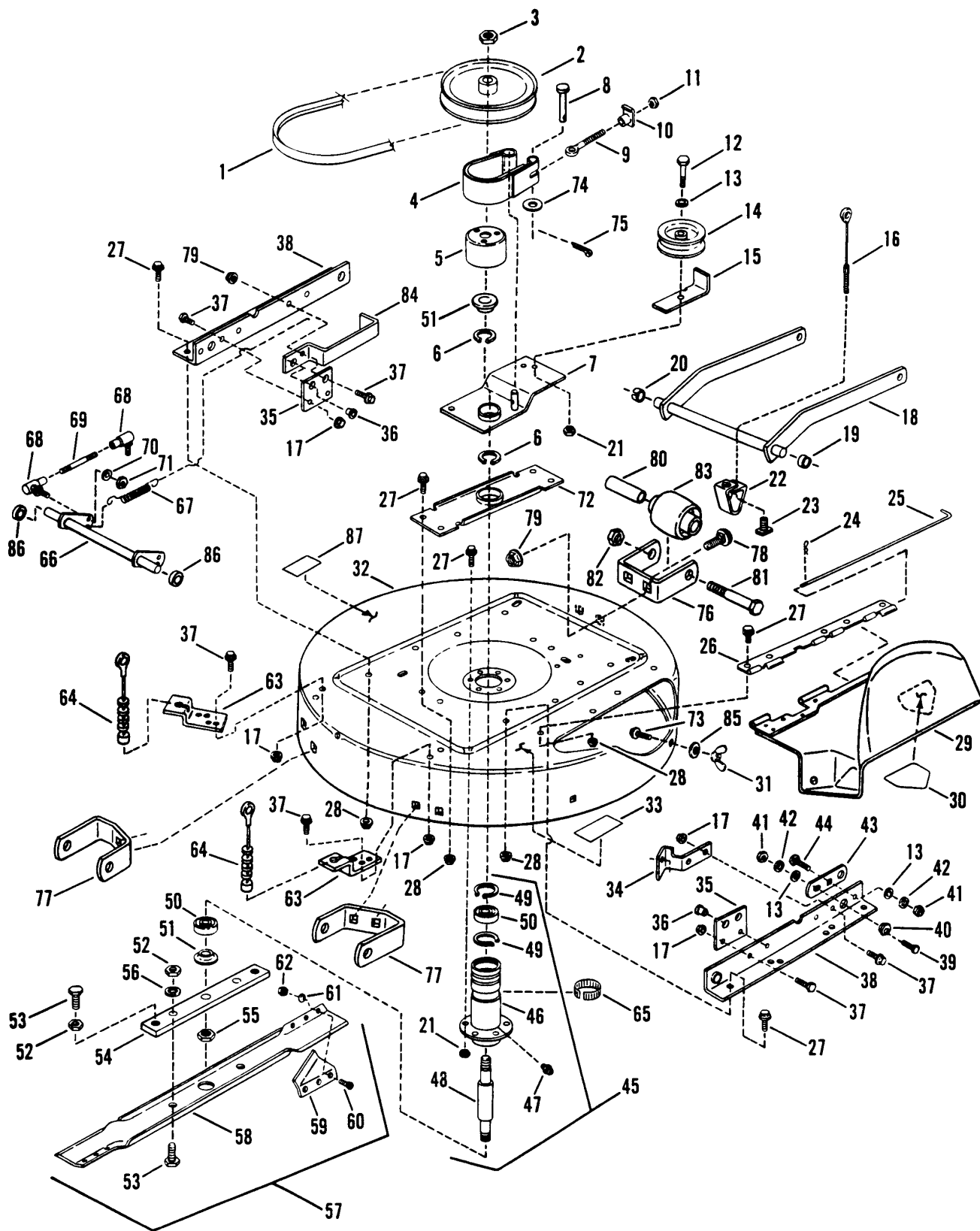
Footnotes:



33" Cutting Deck, Belts, Brakes

| Item | Part No | Qty | Description | Note |
|------|---------|-----|--|--|
| 1 | 7023710 | 1 | BELT, 33" Drive Kevlar (A-59 61" OD) | |
| 2 | 7018581 | 1 | PULLEY, 8" O.D. | |
| 3 | 7074467 | 1 | NUT, 3/4-16 Hex Jam | Was 10027 |
| 4 | 7052886 | 1 | BAND, Brake Assembly | Was 57307 |
| 5 | 7032169 | 1 | DRUM, Brake | |
| 6 | 7010740 | 2 | RING, 2" External Retaining | |
| 7 | 7047961 | 1 | ARM, Idler | |
| 8 | 7014304 | 1 | PIN, 1/4 x 1 1/4" Clevis | |
| 9 | 7014302 | 1 | BOLT, 1/4-20 Eye | |
| 10 | 7014303 | 1 | NUT, 1/4-20 Tee | |
| 11 | 7091576 | 1 | NUT, 1/4-20 Hex GR 5 YZ | Was 90063 |
| 12 | 7090164 | 1 | SCREW, 3/8-24 x 1 1/2" Hex Head Cap | |
| 13 | 7090122 | 3 | WASHER, 3/8 SAE | |
| 14 | 7018574 | 1 | PULLEY, Idler, 4.12 O.D. | |
| 15 | 7032368 | 1 | GUIDE, Belt | |
| 16 | 7023180 | 1 | CABLE, Front Lift 6.12" | |
| 17 | 7091601 | 10 | NUT, 5/16-18 Hex Flange Lock | Was 90585 |
| 18 | 7047959 | 1 | LIFT, Front Arm | |
| 19 | 7012067 | 1 | RING, Red (Right Side) | |
| 20 | 7023791 | 1 | RING, Black (Left Side)(5/8" ID x .44" Wide) | Was 10996 |
| 21 | 7090289 | 7 | NUT, 3/8-24 Hex Lock | |
| 22 | 7038043 | 1 | BRACKET, Front Lift Hanger | |
| 23 | 7090388 | 1 | T-NUT, 5/16-18 | |
| 24 | 7091503 | 1 | PIN, Hair 3/32" x 1.5" | Was 15067 |
| 25 | 7032323 | 1 | PIN, Hinge | Was 31914 |
| 26 | 7039586 | 1 | HINGE, Deflector | |
| 27 | 7091588 | 14 | BOLT, 3/8-16 x 3/4" Hex Flange Lock | Was 90612 |
| 28 | 7091619 | 14 | NUT, 3/8-16 Hex Flange Lock | Was 90613 |
| 29 | 7052555 | 1 | ASSEMBLY, Deflector | Was 51978 (Includes item 30) |
| 30 | 7013010 | 1 | DECAL, Danger (Cut Finger) | |
| 31 | 7091537 | 1 | WING-NUT, 5/16-18 | Was 90492 |
| 32 | 7061956 | 1 | DECK, Cutting, 33" | Was 51917 or 60978 (Now 61956 + 52555)(Includes items 33 & 87) |
| 33 | 7014852 | 1 | DECAL, Caution (Deflector) | |
| 34 | 7038455 | 1 | ANCHOR, Brake | |
| 35 | 7032803 | 2 | BRACKET, Cross-Shaft | |
| 36 | 7011016 | 2 | BEARING, Cross-Shaft Bracket | |
| 37 | 7090721 | 10 | BOLT, 5/16-18 x 1/2" Hex Flange Lock | |

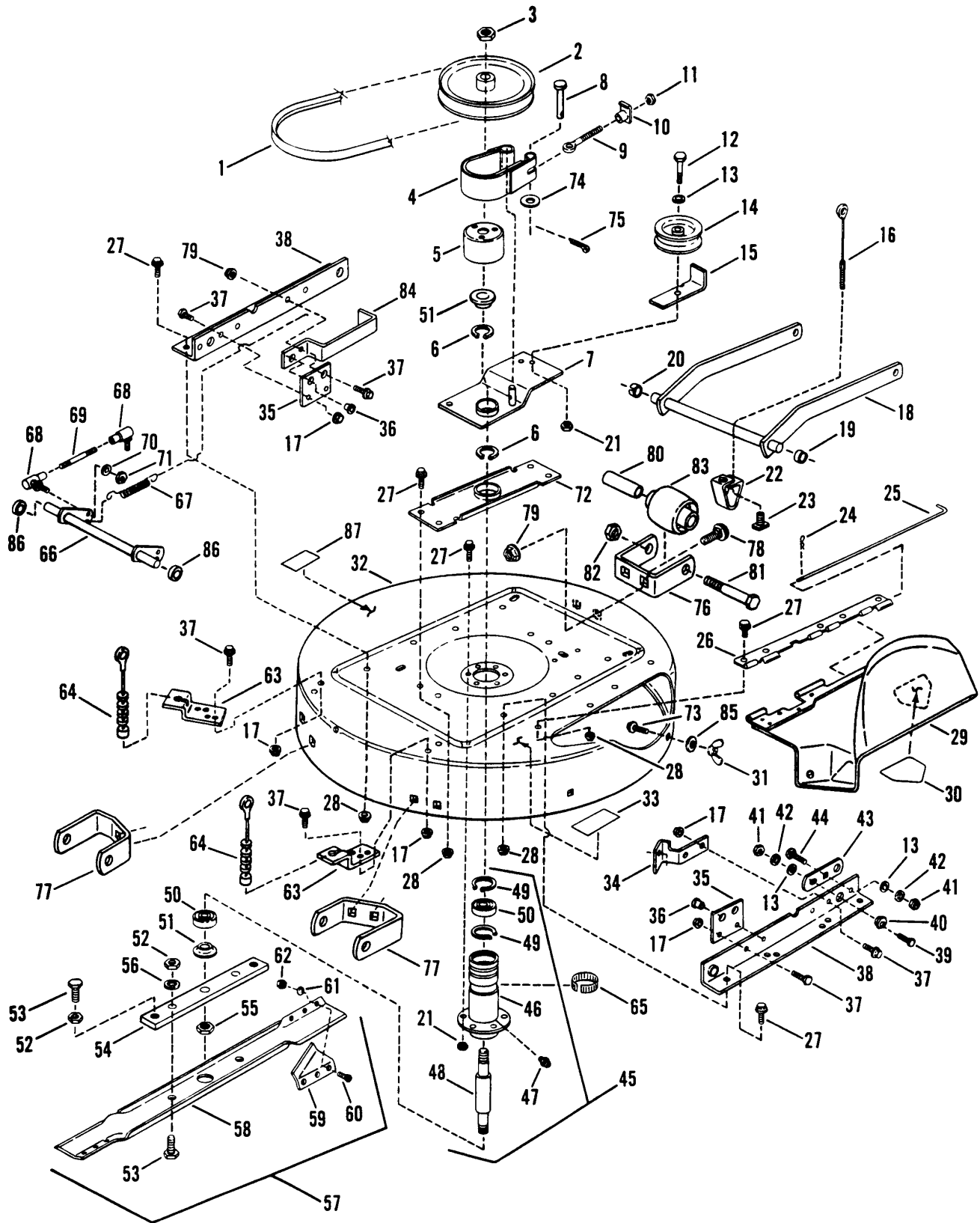
Footnotes:



33" Cutting Deck, Belts, Brakes

| Item | Part No | Qty | Description | Note |
|------|---------|-----|--|-----------------------------------|
| 38 | 7038453 | 2 | RAIL, Side | |
| 39 | 7091304 | 1 | SCREW, 3/8-16 x 1" Hex Head Cap | Was 90563 |
| 40 | 7015012 | 1 | ECCENTRIC, Leveling | |
| 41 | 7091302 | 2 | NUT, 3/8-16 Hex | Was 90130 |
| 42 | 7090118 | 2 | WASHER, 3/8 Split Lock | |
| 43 | 7032432 | 1 | LINK, Adjustment | |
| 44 | 7091547 | 1 | BOLT, 3/8-16 x 3/4" Carriage | Was 90850 |
| 45 | 7059784 | 1 | ASSEMBLY, Spindle | (Includes items 46 thru 55) |
| 46 | 7052294 | 1 | HOUSING, Spindle 5.575" Tall | (Includes item 47) |
| 47 | 7010817 | 1 | FITTING, Lube (Press into .187" hole, no ball) | |
| 48 | 7027711 | 1 | SPINDLE, 33" Mower Deck 8.26" Long | |
| 49 | 7012491 | 2 | RING, Retaining EXT 1.75" | |
| 50 | 7013313 | 2 | BEARING, Spindle | |
| 51 | 7014407 | 2 | WASHER, Spindle | |
| 52 | 7090559 | 4 | NUT, 1/4-20 Hex Jam | (2 in assembly) |
| 53 | 7090392 | 4 | SCREW, 1/2-20 Hex Head Cap | (2 in assembly) |
| 54 | 7037751 | 1 | HOLDER, Blade | |
| 55 | 7090356 | 1 | NUT, 5/8-18 Hex Lock | |
| 56 | 7090509 | 2 | WASHER, 1/2 Int. Tooth Lock | |
| 58 | 7019523 | 1 | BLADE, 33" Mower Deck | |
| | 7024741 | 1 | BLADE, 33" Mower Deck Ninja (Mulching) Not shown | (Not Included With This Assembly) |
| | 7016982 | 1 | BLADE, 33" Mower Deck (Recycling) Not shown | (Not Included With This Assembly) |
| 59 | 7037723 | 2 | AIR-LIFT | |
| 60 | 7090228 | 6 | SCREW, 5/16-24 x 11/16" Machine | |
| 61 | 7090391 | 2 | WASHER, 5/16 Internal Tooth Lock | |
| 62 | 7091297 | 6 | NUT, 5/16-24 Hex | Was 90223 |
| 63 | 7033115 | 2 | BRACKET, Rear Lift | |
| 64 | 7016844 | 2 | CABLE, Support (4.25", 8 Spacers) | |
| 65 | 7012670 | 1 | RING, Tolerance 2.0" | |
| 66 | 7047960 | 1 | CROSS-SHAFT | |
| 67 | 7028652 | 1 | SPRING | Was 16153 |
| 68 | 7015753 | 2 | BALL-JOINT | |
| 69 | 7023687 | 1 | LINK, Ball Joint | |
| 70 | 7090053 | 2 | WASHER, 1/4 Int. Tooth Lock | |
| 71 | 7090095 | 2 | NUT, 1/4-28 Hex | |
| 72 | 7038018 | 1 | BRACE, Spindle | |
| 73 | 7091508 | 1 | BOLT, 5/16-18 x 3/4" Short Neck Carriage | Was 90001 |
| 74 | 7091294 | 1 | WASHER .28 x .63 x .065 YZ | Was 90055 |

Footnotes:

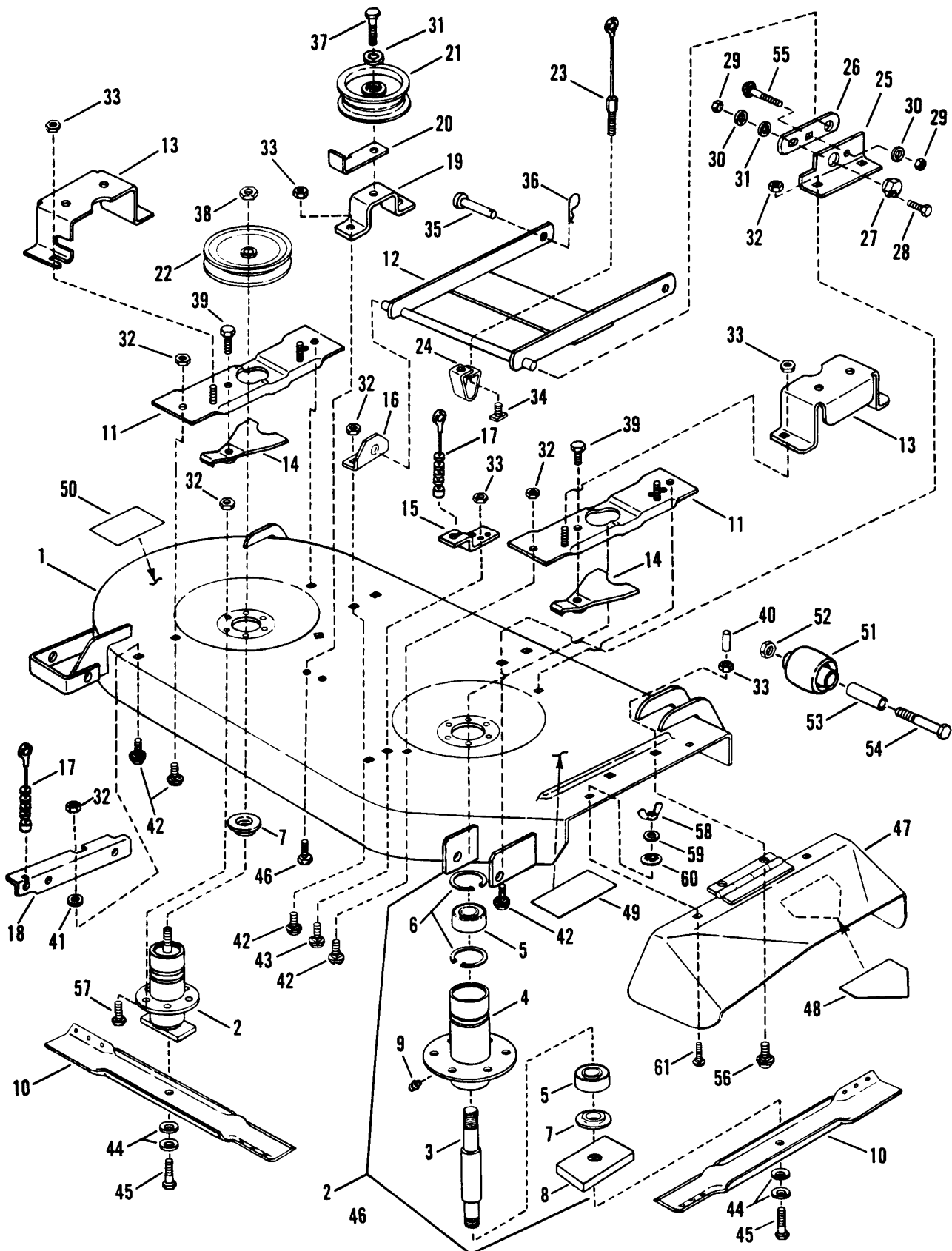


33" Cutting Deck, Belts, Brakes

| Item | Part No | Qty | Description | Note |
|-------------|----------------|------------|--|--------------------|
| 75 | 7091597 | 1 | COTTER-PIN, 3/32 x 3/4" | <i>Was 90037</i> |
| 76 | 7033570 | 1 | BRACKET, Gage Wheel (Front) | <i>Was 38451</i> |
| 77 | 7033571 | 2 | BRACKET, Gage Wheel (Rear) | <i>Was 38450</i> |
| 78 | 7090731 | 6 | BOLT, 5/16-18 x 1/2" Short Neck Carriage | <i>Was 90004</i> |
| 79 | 7091601 | 7 | NUT, 5/16-18 Hex Flange Lock | <i>Was 90585</i> |
| 80 | 7015272 | 3 | SPACER .625 OD x .423 ID x 3" L | |
| 81 | 7091532 | 3 | SCREW, 3/8-24 x 3 3/4" Hex Head Cap | <i>Was 90859</i> |
| 82 | 7090289 | 3 | NUT, 3/8-24 Hex Lock | |
| 83 | 7019190 | 3 | WHEEL, Gage | |
| 84 | 7033352 | 1 | GUIDE, Belt | |
| 85 | 7090188 | 2 | WASHER, 5/16 Flat | |
| 86 | 7020908 | 2 | SPACER | |
| 87 | 7014852 | 1 | DECAL, Caution (Rotating Blades) | <i>Was 16973</i> |
| | | 1 | DECAL 33" (RLT140H33) (No longer available) | <i>Was 22990</i> |
| | 7022991 | 1 | DECAL 33" (LT140H33) | <i>(Not Shown)</i> |
| | | 1 | DECAL Deep Drawn (RLT140H33) (No longer available) | <i>Was 22993</i> |

Footnotes:

41" Cutting Deck

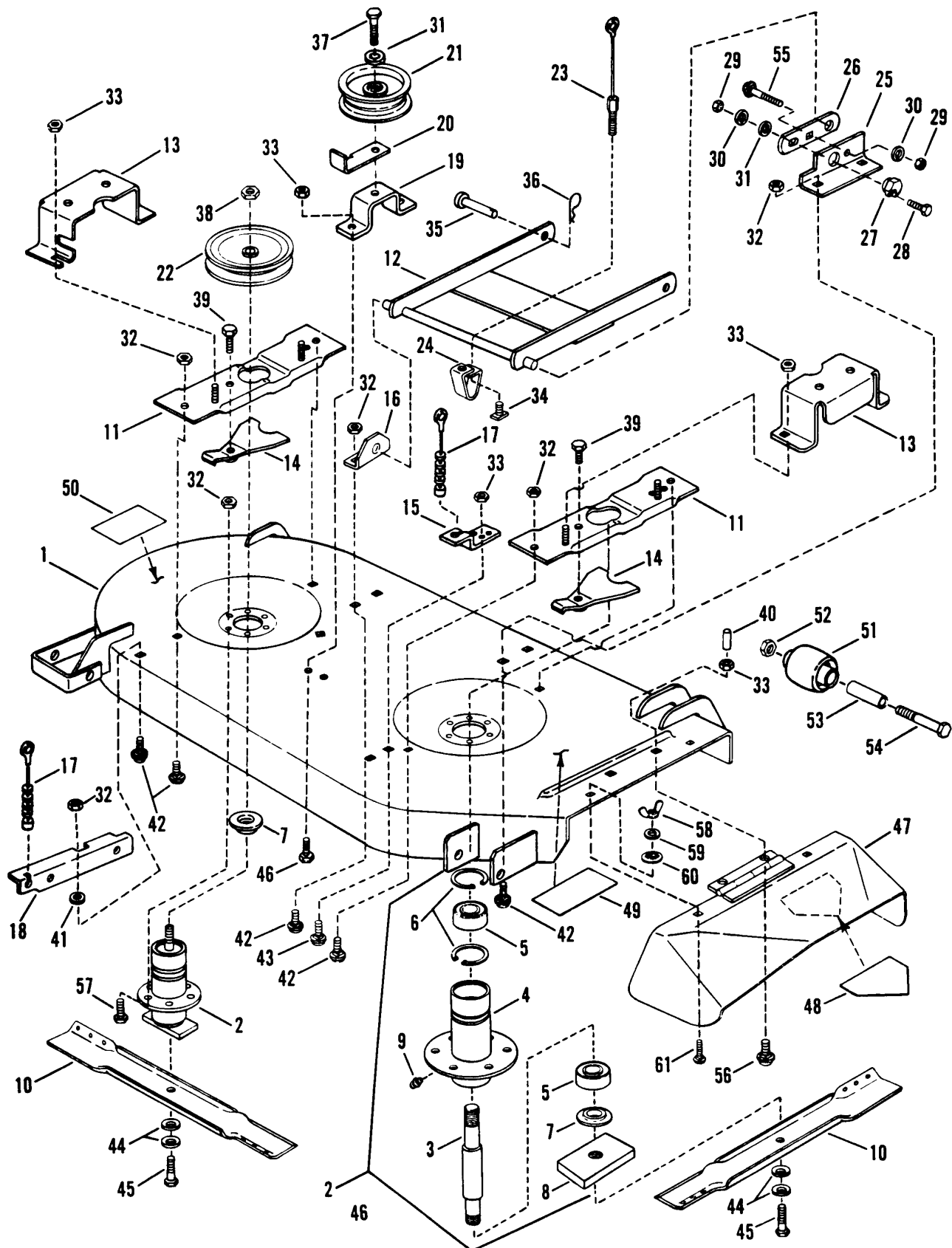


41" Cutting Deck

| Item | Part No | Qty | Description | Note |
|------|---------|-----|---|--------------------------|
| 1 | 7051916 | 1 | DECK, Mower, 41" Shell | (Includes items 49 & 50) |
| 2 | 7051914 | 2 | ASSEMBLY, Spindle | (Includes items 3-9) |
| 3 | 7027668 | 2 | SPINDLE 6.5" Long | |
| 4 | 7051918 | 2 | HOUSING, Spindle 5.1" Tall | (Includes item 9) |
| 5 | 7013313 | 2 | BEARING, Spindle | |
| 6 | 7012491 | 2 | RING, Retaining EXT 1.75" | |
| 7 | 7014407 | 2 | WASHER, Spindle | |
| 8 | 7032294 | 2 | HOLDER, Blade | |
| 9 | 7010817 | 2 | FITTING, Lube (Press fit for .187 hole-no ball) | |
| 10 | 7019795 | 2 | BLADE, 21" Cutter | |
| 11 | 7052487 | 2 | ASSEMBLY, Rear Support | |
| 12 | 7042469 | 1 | ASSEMBLY, Front Hanger 42" | Was 49762 |
| 13 | 7034409 | 2 | GUARD, Pulley | Was 33367 |
| 14 | 7051747 | 2 | ASSEMBLY, Spindle Lock | |
| 15 | 7033083 | 2 | ASSEMBLY, Chain Support | |
| 16 | 7032297 | 1 | BRACKET, Front Left Hanger | |
| 17 | 7016844 | 2 | CABLE, Support (4.25", 8 Spacers) | |
| 18 | 7033086 | 1 | ASSEMBLY, Rear Support | |
| 19 | 7051748 | 1 | BRACKET, Idler Mount | |
| 20 | 7032368 | 1 | GUIDE, Belt | |
| 21 | 7018574 | 2 | PULLEY, Flat Idler 4.12" OD | |
| 22 | 7015724 | 2 | PULLEY, Spindle "V" 5.75" OD .750" ID Hole | |
| 23 | 7023180 | 1 | CABLE, Front Lift 6.12" | |
| 24 | 7038043 | 1 | BRACKET, Front Lift Arm Hanger | |
| 25 | 7038382 | 1 | BRACKET, Front Right | |
| 26 | 7032432 | 1 | LINK, Adjustment | |
| 27 | 7015012 | 1 | RING, Adjustment | |
| 28 | 7091304 | 1 | SCREW, 3/8-16 x 1" Hex Head Cap | Was 90563 |
| 29 | 7091302 | 2 | NUT, 3/8-16 Hex | Was 90130 |
| 30 | 7090118 | 2 | WASHER, 3/8" Split Lock | |
| 31 | 7090122 | 2 | WASHER, 3/8" Flat | |
| 32 | 7091619 | 22 | NUT, 3/8-16 Hex Flange Lock | Was 90613 |
| 33 | 7091601 | 9 | NUT, 5/16-18 Hex Flange Lock | Was 90585 |
| 34 | 7090388 | 1 | T-NUT, 5/16-18 | |
| 35 | 7012951 | 2 | PIN, 1/2 x 1 3/8" Clevis | |
| 36 | 7091596 | 2 | HAIRPIN, Cotter .148 x 2.62 YZ | Was 13844 |
| 37 | 7091497 | 1 | SCREW, 3/8-16 x 1 1/2" Hex Cap | Was 90655 |

Footnotes:

41" Cutting Deck

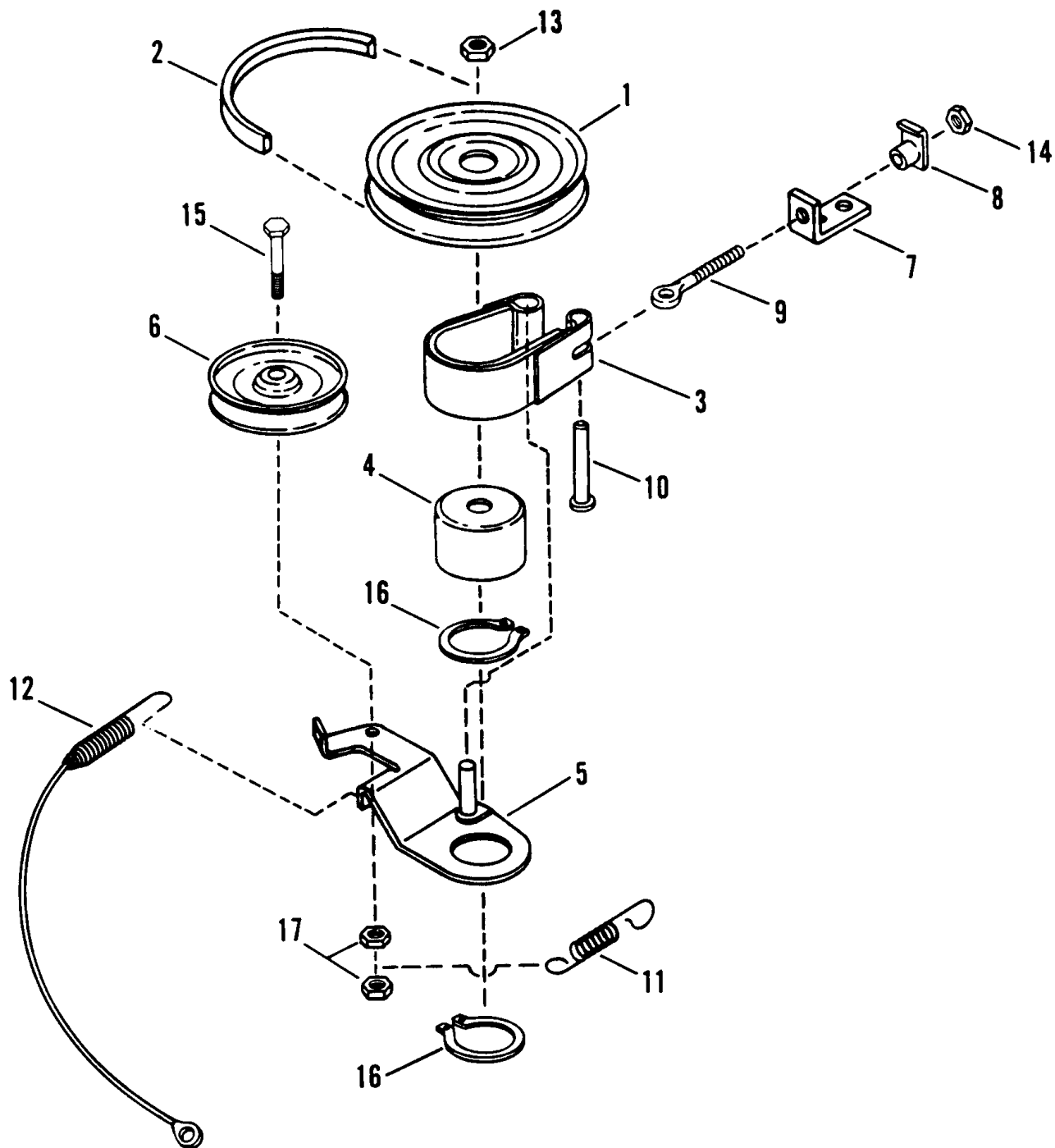


41" Cutting Deck

| Item | Part No | Qty | Description | Note |
|------|---------|-----|---|--------------------|
| 38 | 7074467 | 2 | NUT, 3/4-16 Hex Jam | Was 10027 |
| 39 | 7027198 | 2 | BOLT, 3/8-16 x 1" Hex Flange Lock | Was 90582 |
| 40 | 7023606 | 2 | CAP, Vinyl | |
| 41 | 7090517 | 1 | WASHER, 7/16 Flat | Was 90600 |
| 42 | 7091547 | 9 | BOLT, 3/8-16 x 3/4" Carriage | Was 90850 |
| 43 | 7091508 | 2 | BOLT, 5/16-18 x 3/4" Carriage | Was 90788 |
| 44 | 7012063 | 4 | WASHER, 13/32 x 1 13/32" Dia., Cone | |
| 45 | 7090824 | 2 | SCREW, 3/8-24 x 1 1/4" Hex Cap | |
| 46 | 7090595 | 2 | BOLT, 5/16-18 x 3/4" Hex Flange Lock | |
| 47 | 7051401 | 1 | DEFLECTOR, Side Chute | (Includes item 48) |
| 48 | 7013010 | 1 | DECAL, Danger | |
| 49 | 7014852 | 1 | DECAL, Caution (Deflector in Place) | |
| 50 | 7014852 | 1 | DECAL, Caution (Rotating Blades) | Was 16973 |
| 51 | 7019190 | 4 | WHEEL, Gage | |
| 52 | 7090289 | 4 | LOCKNUT, 3/8-24 Hex | |
| 53 | 7015272 | 4 | SPACER, .625 OD x .435 ID x 3" L | |
| 54 | 7091532 | 4 | SCREW, 3/8-24 x 3 3/4" Hex Head Cap | Was 90859 |
| 55 | 7091547 | 1 | BOLT, 3/8-16 x 3/4" Short Neck Carriage | Was 90850 |
| 56 | 7091303 | 2 | BOLT, 5/16-18 x 1" Short Neck Carriage | Was 90383 |
| 57 | 7091588 | 12 | BOLT, 3/8-16 x 3/4" Hex Flange Lock | Was 90612 |
| 58 | 7091537 | 2 | WING-NUT, 5/16-18 | Was 90375 |
| 59 | 7090187 | 2 | WASHER, 5/16 Split Lock | |
| 60 | 7011791 | 2 | RETAINER, 5/16 Bolt | |
| 61 | 7090799 | 2 | BOLT, 5/16-18 x 5/8" Carriage | |
| | 7022992 | | DECAL 41" (LT140H41) | (Not Shown) |

Footnotes:

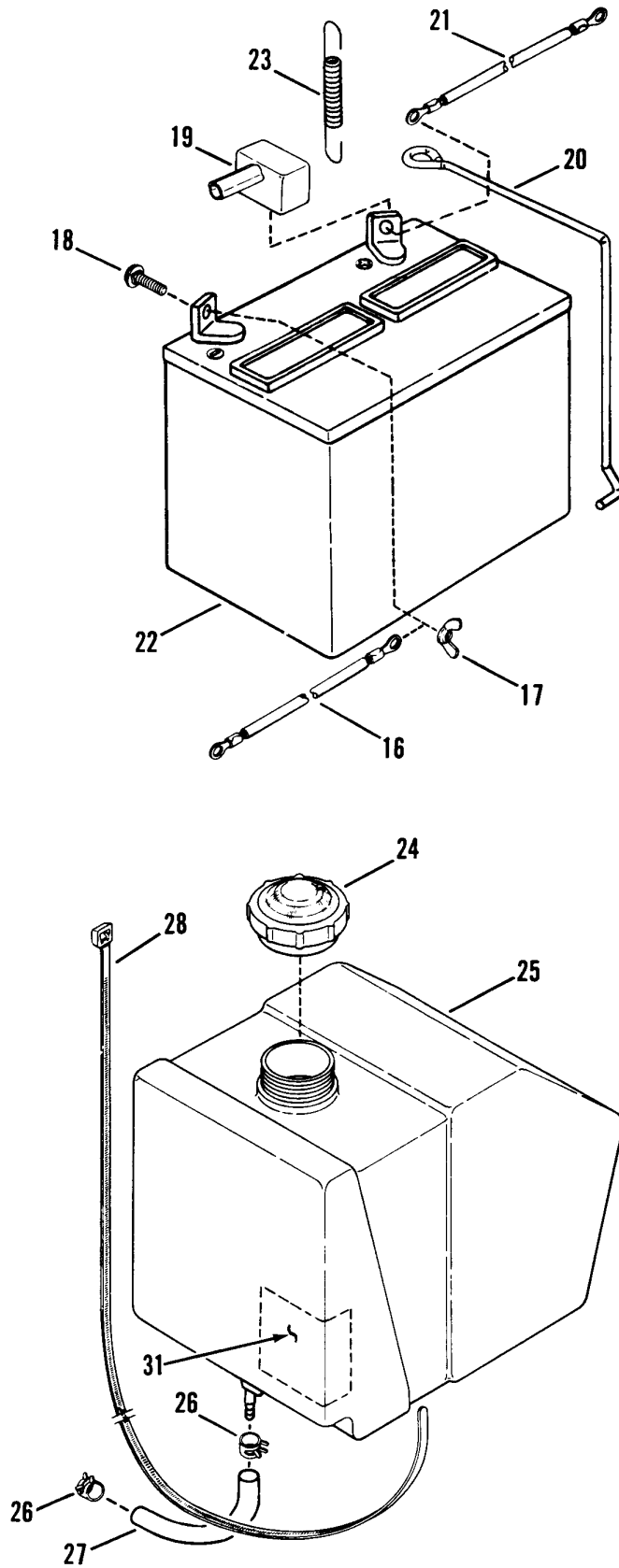
Belt, Blade Brake, 41" Deck



Belt, Blade Brake, 41" Deck

| Item | Part No | Qty | Description | Note |
|-------------|----------------|------------|--------------------------------|------------------|
| 1 | 7015724 | 1 | PULLEY, Drive 5.75" OD | |
| 2 | 7014799 | 1 | BELT, Drive VA101 | |
| 3 | 7052886 | 1 | BAND, Brake Assembly | <i>Was 57307</i> |
| 4 | 7032169 | 1 | DRUM, Brake | |
| 5 | 7047912 | 1 | ASSEMBLY, Brake Arm | |
| 6 | 7018574 | 1 | PULLEY, Idler Flat 4.12" OD | |
| 7 | 7032587 | 1 | ANCHOR, Brake | |
| 8 | 7014303 | 1 | TEE-NUT, 1/4-20 | |
| 9 | 7014302 | 1 | BOLT, 1/4-20 Eye | |
| 10 | 7011021 | 1 | PIN, Clevis, 1/4 x 1 1/4" | |
| 11 | 7029788 | 1 | SPRING, Blade Brake | <i>Was 23172</i> |
| 12 | 7035434 | 1 | CABLE, Blade 28.5" | <i>Was 19040</i> |
| 13 | 7074467 | 1 | NUT, 3/4-16 Hex Jam | <i>Was 10027</i> |
| 14 | 7091576 | 1 | NUT, 1/4-20 Hex | <i>Was 90063</i> |
| 15 | 7090167 | 1 | SCREW, 3/8-24 x 2" Hex Hd. Cap | |
| 16 | 7010740 | 2 | RING, 2" External Retaining | |
| 17 | 7090289 | 2 | NUT, 3/8-24 Hex Lock | |

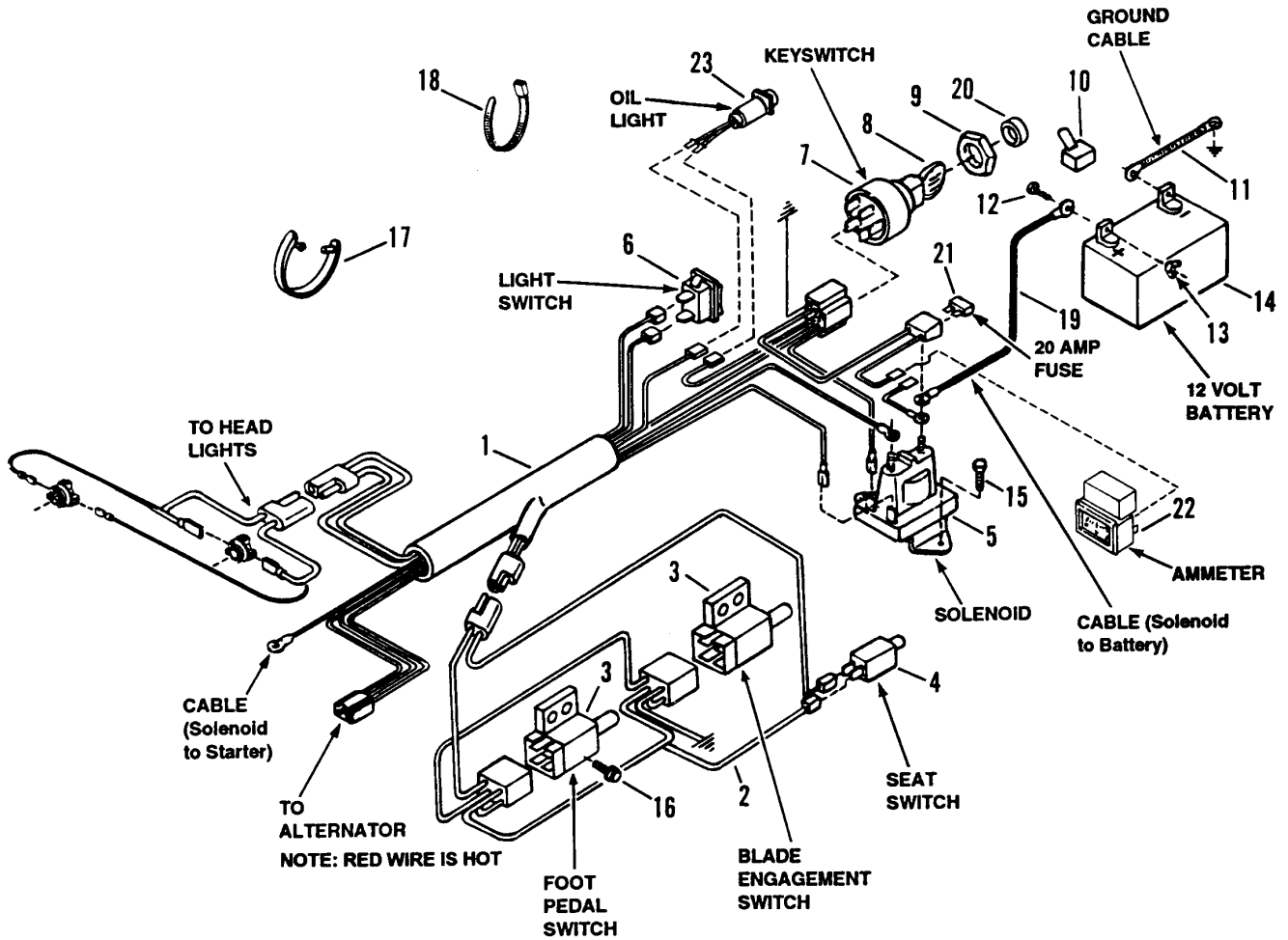
Footnotes:



Fuel Tank & Battery

| Item | Part No | Qty | Description | Note |
|-------------|----------------|------------|--|---------------------------|
| 16 | 7014475 | 1 | CABLE, Negative Terminal 15" 8 AWG Black | |
| 17 | 7091568 | 2 | WING-NUT, 1/4-20 | <i>Was 90311</i> |
| 18 | 7091530 | 2 | BOLT, 1/4-20 x 3/4" Short Neck Carriage | <i>Was 90074</i> |
| 19 | 7012444 | 1 | COVER, Positive Terminal | |
| 20 | 7022366 | 1 | CLAMP, Battery | |
| 21 | 7014476 | 1 | CABLE, Positive Terminal 11" 8 AWG Red | |
| 22 | 7060618 | 1 | KIT, Battery, 12 Volt | |
| 23 | 7022696 | 1 | SPRING, Battery Bracket | |
| 24 | 7012515 | 1 | CAP, Fuel Tank | <i>Was 17808</i> |
| 25 | 7052258 | 1 | TANK, Fuel w/cap | <i>(Includes item 24)</i> |
| 26 | 7029900 | 2 | CLAMP, Fuel Line .490 x .31 | <i>Was 12222</i> |
| 27 | | 1 | LINE, Fuel (14.5" Long) (No longer available) | <i>Was 32633</i> |
| 28 | 7023195 | 1 | CABLE-TIE, Fuel Tank Hold Down | |
| 31 | | 1 | HEAT SHIELD, Fuel Tank 3" x 5.5" (No longer available) | <i>Was 17788</i> |

Footnotes:



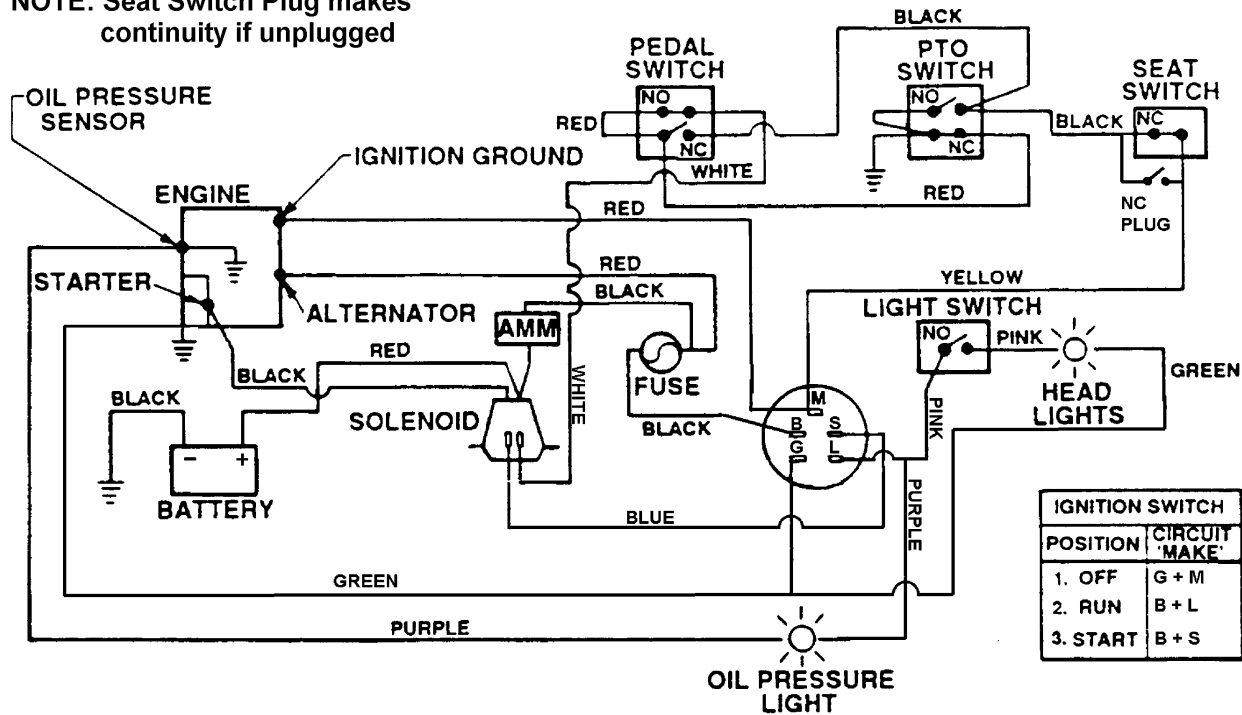
Electrical System

| Item | Part No | Qty | Description | Note |
|------|---------|-----|--|-------------------------------|
| 1 | 7022699 | 1 | HARNESS, Wiring (Kohler Engine) | |
| 2 | 7024126 | 1 | HARNESS, Interlock | |
| 3 | 7023355 | 2 | SWITCH, Clutch & PTO | |
| 4 | 7023354 | 1 | SWITCH, Seat NC | Was 17590 |
| 5 | 7075622 | 1 | SOLENOID | Was 18604 |
| 6 | 7023187 | 1 | SWITCH, Light | |
| 7 | 7027698 | 1 | SWITCH, Key | Was 18562 (Includes 2 item 8) |
| 8 | 7073406 | 2 | KEY, Switch (With Cover) | Was 23504 |
| 9 | 7012685 | 1 | NUT, 5/8-32 Hex | Was 23505 |
| 10 | 7012444 | 1 | COVER, Positive Terminal | |
| 11 | 7014475 | 1 | CABLE, Negative 15" 8 AWG Black | |
| 12 | 7091530 | 2 | BOLT, 1/4-20 x 3/4" Carriage | Was 90074 |
| 13 | 7091568 | 2 | WING-NUT, 1/4-20 | Was 90311 |
| 14 | 7060618 | 1 | KIT, Battery | |
| 15 | 7091122 | 1 | SCREW, 1/4-20 x 1/2" Self-Tapping | Was 90539 |
| 16 | 7090913 | 1 | SCREW, #10-24 x 1/2" Hex Washer Self-Tap (Torx) | Was 90307 |
| 17 | 7014451 | 1 | TIE, Wire | |
| 18 | 7012080 | 1 | TIE, Cable 7" | |
| 19 | 7014476 | 1 | CABLE, Positive 11" 8 AWG Red | |
| 20 | 7023506 | 1 | BEZEL | |
| 21 | 7023653 | 1 | FUSE, 20 Amp | |
| 22 | 7022690 | 1 | AMMETER | |
| 23 | 7060982 | 1 | OIL LIGHT | Was 22691 |
| | | 1 | RETAINER, 1/2 (Not shown on back of light switch)(No longer available) | Was 16245 |

Footnotes:

Schematic Electrical System (Kohler Engines Only)

NOTE: Switches shown with,
 Pedal locked down
 Blade disengaged
 Seat vacant
 NOTE: Seat Switch Plug makes
 continuity if unplugged



Schematic Electrical System (Kohler Engines Only)

| Item | Part No | Qty | Description | Note |
|-------------|----------------|------------|---|-------------|
| | | | Wiring schematic includes harness #'s 7022699 & 7024126 | |

Footnotes:

Parts Manual for

SNAPPER[®]

LAWN TRACTOR MANUAL CLUTCH HYDRO DRIVE (1991 1/2) SERIES 1

IT IS THE POLICY OF SNAPPER TO IMPROVE ITS PRODUCTS
WHENEVER IT IS POSSIBLE AND PRACTICAL TO DO SO. WE
RESERVE THE RIGHT TO MAKE CHANGES OR ADD IMPROVEMENTS
AT ANY TIME WITHOUT INCURRING ANY OBLIGATION TO MAKE
SUCH CHANGES ON PRODUCTS MANUFACTURED PREVIOUSLY.

SNAPPER McDonough, GA, 30253 U.S.A.