

*Parts Manual for*

# **SNAPPER®**

## **PUSH YARD VACUUM RESIDENTIAL & COMMERCIAL SERIES 0**

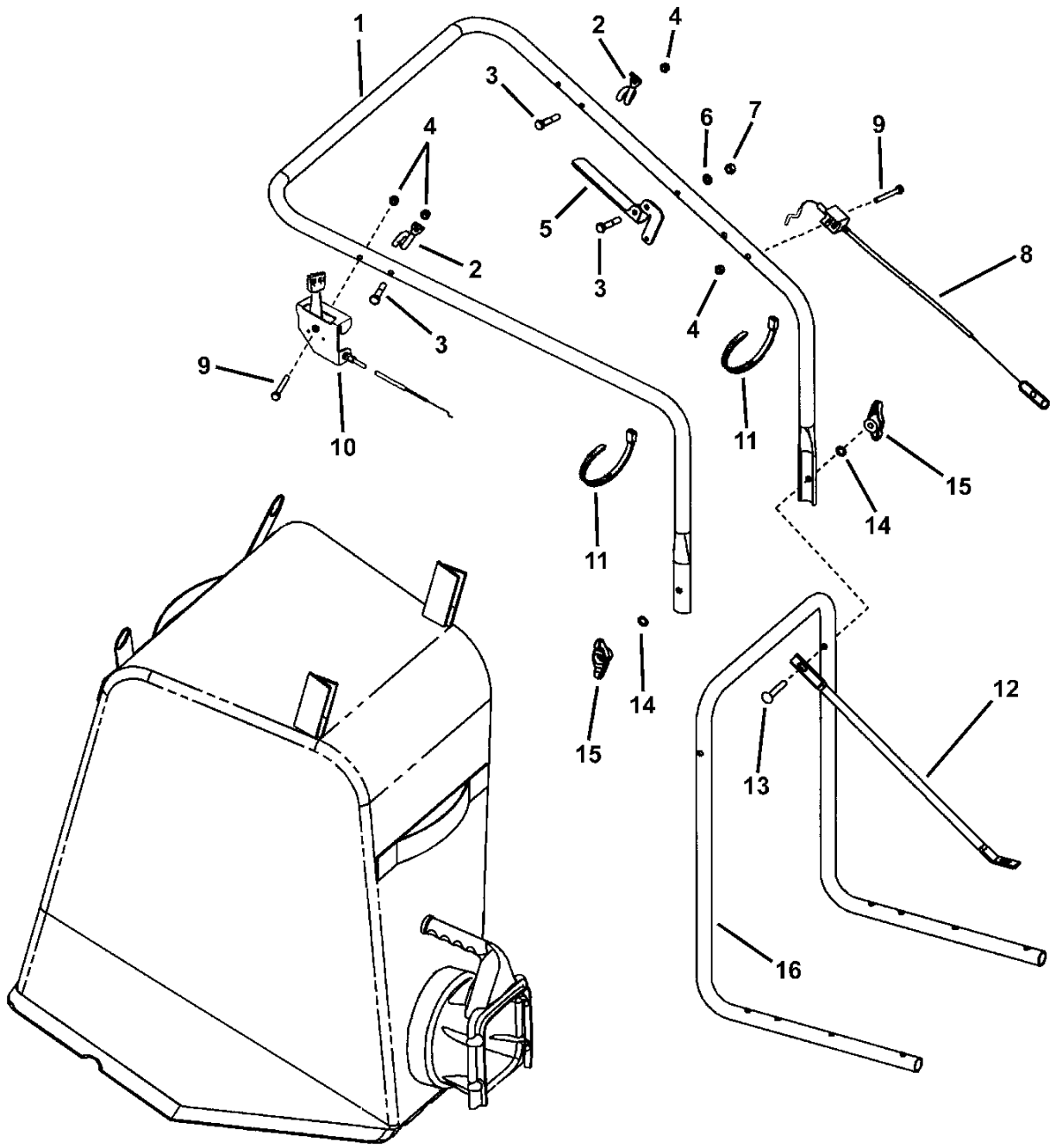


<b>MODEL</b>
<b>ESV25650B</b>
<b>SV25550HV</b>
<b>SV25650B</b>

**SNAPPER®** McDonough, GA, 30253 U.S.A.



<b>PAGE</b>	<b>GROUP</b>
4	HANDLES, CONTROLS, BAG
6	ENGINE, IMPELLER, HOUSING, WHEELS
10	COMMERCIAL COMPONENTS
12	DECALS



**17 BAG ASSEMBLY**  
NOTE: BAG COMPONENTS  
ARE NOT SOLD SEPARATELY.

## **HANGLES, CONTROLS, BAG**

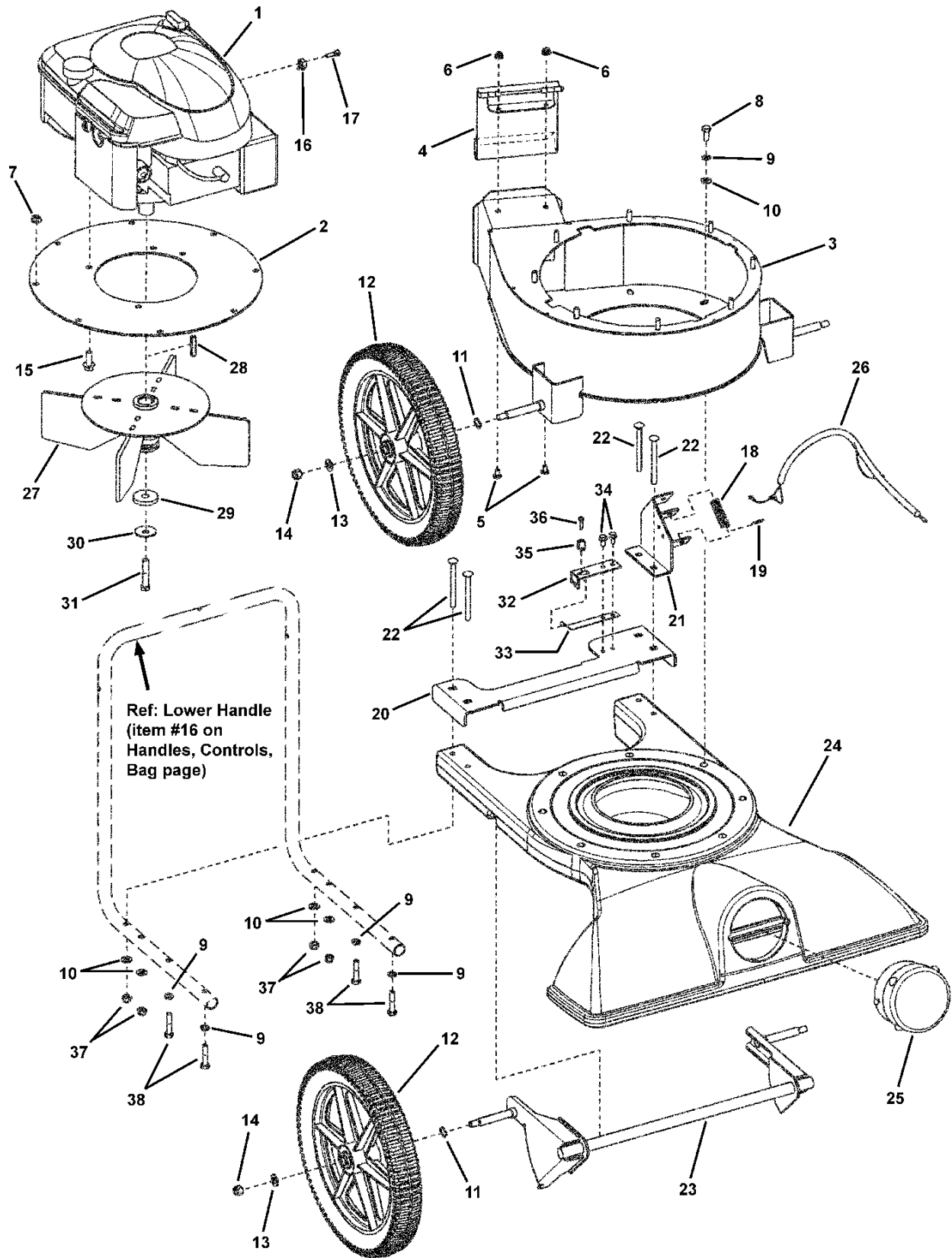
---

<b>Item</b>	<b>Part No</b>	<b>Qty</b>	<b>Description</b>	<b>Note</b>
1	7058669	1	HANDLE ASSEMBLY, Upper	<i>Includes Foam Grip, Part No. 7026216)</i>
2	7022779	2	GUIDE, Pull Rope	
3	7079577	3	SCREW, 1/4-20 x 1-1/2" Hex Head Cap, GR 5	
4	7076978	5	NUT, 1/4-20 Hex Nyloc	
5	7075800	1	HANDLE, Height Adjust	
6	7091315	1	WASHER, 5/16" Split Lock	
7	7091511	1	NUT, 5/16-18 Hex, GR 5 or B	
8	7075804	1	CABLE, Height Adjust	
9	7090505	1	SCREW, 1/4-20 x 2" Hex Head Cap, GR 5	
10	7075838	1	CABLE, Throttle, B&S	
11	7012080	3	CABLE TIE, 7"	
12	7075891	2	BRACE, Handle	
13	7091930	2	BOLT, 5/16-18 x 2" Square Neck Carriage, GR 5	
14	7090391	2	WASHER, 5/16" Internal Tooth Lock	
15	7035744	2	KNOB, 5/16-18 Wing (Black)	
16	7075803	1	HANDLE, Lower	
17	7058942	1	* ASSEMBLY, Vacuum Bag	

### **Footnotes:**

NOTE: \* Bag components are not sold separately.

# ENGINE, IMPELLER, HOUSING, WHEELS



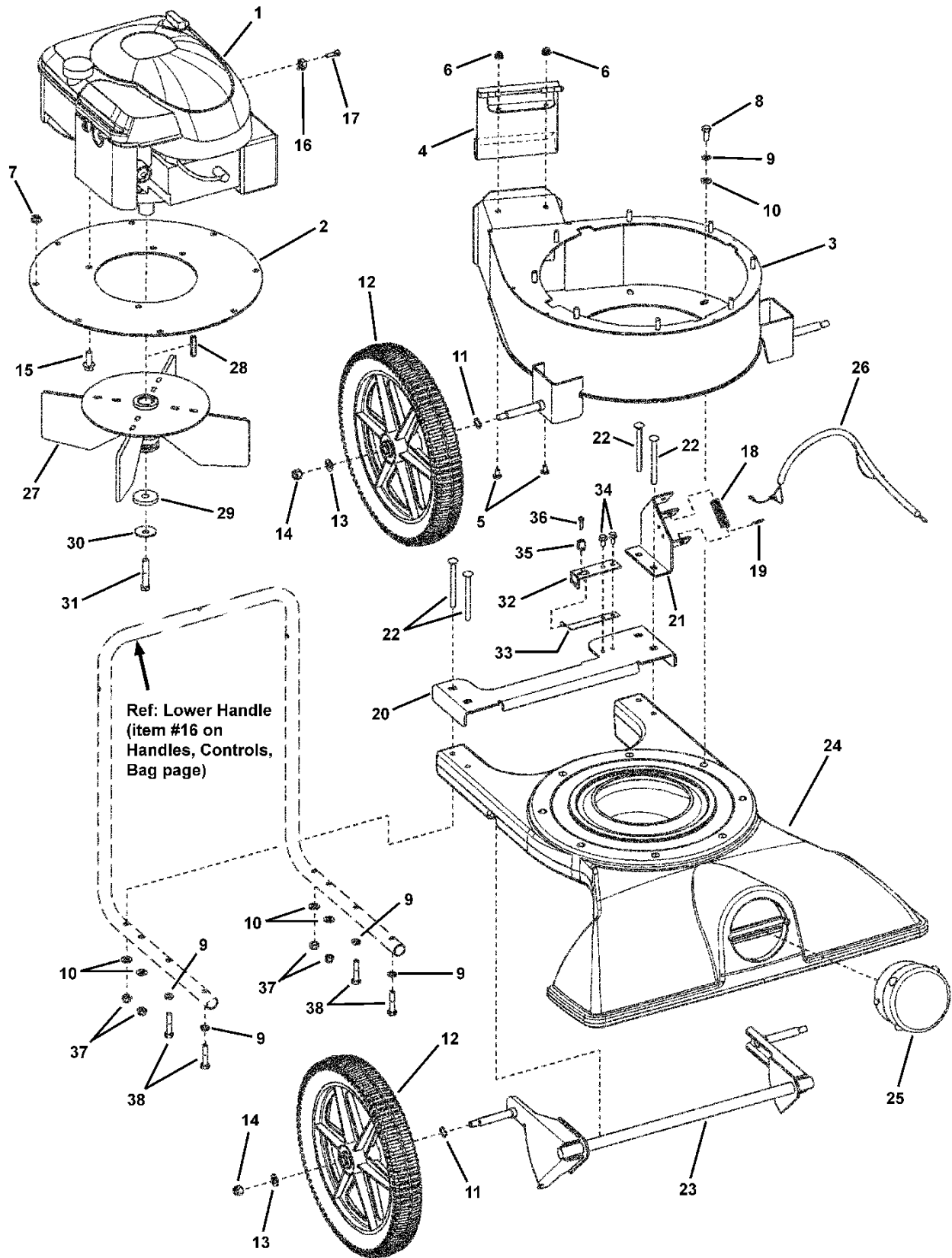
## ENGINE, IMPELLER, HOUSING, WHEELS

Item	Part No	Qty	Description	Note
1		1	* ENGINE, 6.5HP Briggs & Stratton Quantum Modular XRM, Recoil Start	Model 123K02-0126-E1
1		1	* ENGINE, 6.5HP Briggs & Stratton Quantum Modular XRM, Stop Control	Model 124K02-0140-B1
1		1	* ENGINE, 6.5GT Briggs & Stratton 650 Series, Stop Control	Model 124T02-0115-B1
2	7034902	1	PLATE, Engine Base Vacuum Universal	replaces 75793
3	7044853	1	WELDMENT, Upper Housing	
4	7075807	1	ASSEMBLY, Hinge Door	
5	7091604	2	BOLT, 1/4-20 x 1/2" Short Neck Carriage, GR 5	
6	7091584	2	NUT, 1/4-20 Hex Flange Lock	
7	7091601	8	NUT, 5/16-18 Hex Flange Lock, GR 5	
8	7091318	8	SCREW, 5/16-18 x 3/4" Hex Head Cap, GR 5	
9	7091315	12	WASHER, 5/16" Split Lock	
10	7090188	12	WASHER, 5/16" Flat	
11	7026257	4	WASHER, 1/2" Wave	
12	7058668	4	WHEEL ASSEMBLY, 14.00 x 2"	
13	7090122	4	WASHER, 3/8" SAE Flat	
14	7091299	4	NUT, 3/8-16 Nyloc	
15	7090324	3	SCREW, 3/8-16 x 1" Hex Washer Self-Tap	
16	7023153	1	CLAMP, Casing	
17	7023154	1	SCREW, #10-32 x 5/8" Hex Head Self-Tap	
18	7025062	1	SPRING, Compression	
19	7091193	1	HAIRPIN, 29/32" Cotter	
20	7075802	1	PLATE, Reinforcing	
21	7044886	1	WELDMENT, Cable Anchor	
22	7058271	4	BOLT, 5/16-18 x 3-1/2" Short Neck Carriage, GR 5	
23	7044885	1	WELDMENT, Axle Ass'y, Drag Link	
24	7075836	1	HOUSING, Lower	
25	7075806	1	PLUG, Hose Port	
26	7026247	1	WIRE HARNESS, Interlock	
27	7045218	1	WELDMENT, Impeller	
28	7012315	1	KEY, 1/4" Square x 1-7/16" long	
29	7091962	1	WASHER, .468 I.D. x 1-5/8" O.D. x 1/4" thick	
30	7012063	1	WASHER, Cone	
31	7090167	1	SCREW, 3/8-24 x 2" Hex Head Cap, GR 5	
32	7032416	1	BRACKET, Interlock	
33	7032417	1	SPRING, Interlock	
34	7090539	2	SCREW, 1/4-20 x 1/2" Hex Washer Self-Tap	
35	7012048	1	INSULATOR	

### Footnotes:

NOTE: \* Purchase engine & engine parts other than those listed, from engine service outlets.

# ENGINE, IMPELLER, HOUSING, WHEELS





## **ENGINE, IMPELLER, HOUSING, WHEELS**

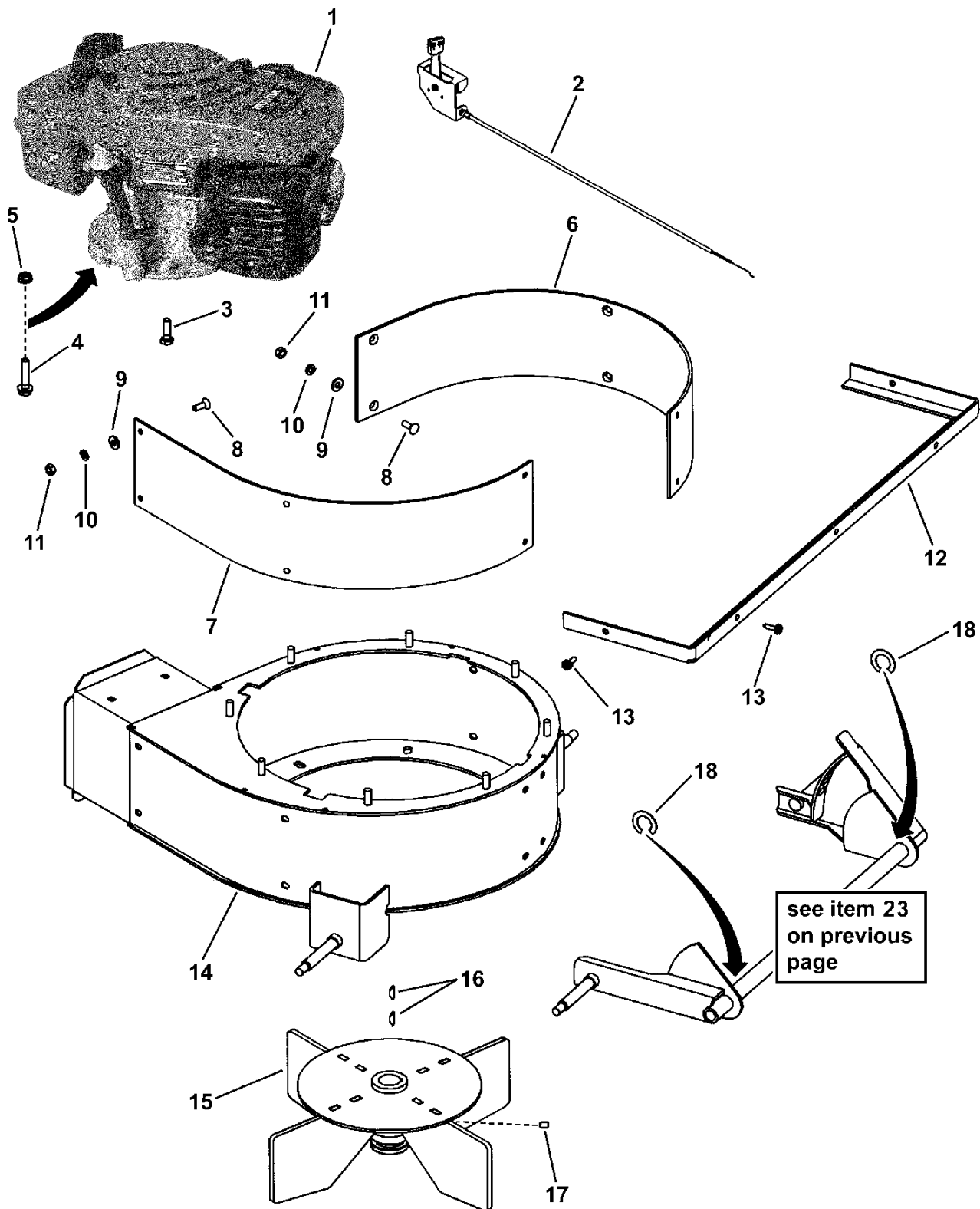
---

<b>Item</b>	<b>Part No</b>	<b>Qty</b>	<b>Description</b>	<b>Note</b>
36	7090379	1	SCREW,# 8-18 x 3/4 Sheet Metal	
37	7091298	4	NUT, 5/16-18 Hex Nyloc	
38	7091540	4	SCREW, 5/16-18 x 1-1/2" Hex Head Cap, GR 5	

### **Footnotes:**

NOTE: \* Purchase engine & engine parts other than those listed, from engine service outlets.

**COMMERCIAL COMPONENTS**



## COMMERCIAL COMPONENTS

---

Item	Part No	Qty	Description	Note
1		1	* ENGINE, 5.5HP Honda GXV, Recoil Start	<i>Model GXV160K1N1AH (Custom)</i>
2	7075940	1	CABLE, Throttle, Honda	
3	7090238	3	SCREW, 5/16-24 x 1" Hex Head Cap	
4	7090700	1	BOLT, 5/16-18 x 1-1/2" Hex Flange Lock	
5	7090585	1	NUT, 5/16-18 Hex Flange Lock	
6	7075890	1	LINER, Vacuum Housing L.H.	
7	7075889	1	LINER, Vacuum Housing R.H.	
8	7092103	12	SCREW, 1/4-20 x 3/4" Flat Head Machine	
9	7091294	12	WASHER, .28 x .63 x .06 Flat	
10	7027223	12	WASHER, .263 Split Lock	
11	7091576	12	NUT, 1/4-20 Hex	
12	7075954	1	FRAME, Inlet Protection	
13	7092106	5	SCREW, #10 x 3/4" Hex Washer	
14	7044891	1	WELDMENT, Upper Housing, Commercial	
15	7044932	1	WELDMENT, Impeller, Honda Commercial	
16	7010783	2	KEY, #55 Hi-Pro	
17	7077680	1	SETSCREW, 1/4-20 x 3/8", Socket Head Knurled Cup Point	
18	7012271	2	WASHER, Shim	

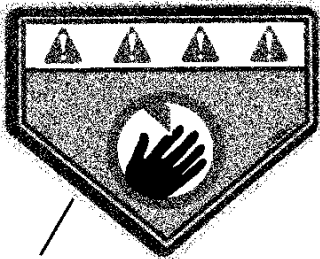
### Footnotes:







NOTE: \* Purchase engine & engine parts other than those listed, from engine service outlets.



**⚠ WARNING**  
**AVOID SERIOUS INJURY OR DEATH**

- READ, UNDERSTAND AND FOLLOW ALL INSTRUCTION AND WARNINGS IN OPERATOR'S MANUAL AND ON MACHINE.
- DO NOT OPERATE MACHINE WITHOUT THE ENTIRE DEBRIS BAG AND BAG ADAPTER INSTALLED AND THE ZIPPER FULLY CLOSED.
- DO NOT REMOVE BAG ADAPTER FROM MACHINE OR OPEN DEBRIS BAG WITH ENGINE RUNNING.
- THE DEBRIS BAG AND BAG ADAPTER ARE SUBJECT TO DETERIORATION DURING NORMAL USE. INSPECT FREQUENTLY AND REPLACE IF SIGNS OF DETERIORATION ARE OBSERVED.
- DO NOT ATTEMPT ANY ADJUSTMENT, MAINTENANCE, SERVICE OR REPAIRS WITH THE ENGINE RUNNING. STOP ENGINE, REMOVE SPARK PLUG WIRE FROM SPARK PLUG AND SECURE AWAY FROM THE PLUG.
- DO NOT VACUUM ANY DEBRIS THAT IS BURNING, WET, FLAMMABLE, EXPLOSIVE OR POISONOUS.



 De machine niet gebruiken zonder de grasopvangzak of de beschermkap  
 Do not operate without entire Grass Catcher or Guard in place  
 Ne pas utiliser sans le bac de ramassage ou la projection en place  
 Betreiben Sie dieses Gerät nicht ohne Grasfangkorb oder Abdeckschutz  
 No manejar la máquina sin el recogedor o el protector en su lugar  
 Non utilizzar senza il Raccoglitore dell'Erba o senza Protezione



## DECALS

Item	Part No	Qty	Description	Note
1	7071916	1	DECAL, SNAPPER	
2	7075894	1	DECAL, Warning, Vacuum	
3	7013010	1	DECAL, Danger, Cut Finger	
4	7022841	1	DECAL, WARNING	<i>Euro models only</i>
5	7100739	1	DECAL, Deck Symbols International	
6	7075892	1	DECAL, Thrown Objects	
7	7075893	1	DECAL, Personal Protection	
8	7073462	1	DECAL, Caution Symbols	<i>Euro models only</i>
9	7029784	1	DECAL, DK/Chute INT'L Warning	<i>Euro models only</i>
10	7029776	1	DECAL, Euro Community (CE)	<i>Euro models only</i>
11	7074329	1	DECAL, SOUND 110	<i>Euro models only</i>
12	7011279	1	DECAL, 2005 Year of Manufacture (not shown)	
12	7100611	1	DECAL, 2006 Year of Manufacture (shown)	
	7050477	1	MANUAL, OPS, Leaf VAC	<i>Not shown</i>
	7050467	1	MANUAL, OPS, Euro Leaf Vacuum	<i>Not shown, Euro models only</i>
	7046287	1	MANUAL, Eng. B&S QUANT XM 98 EPA/CARB	<i>Not shown</i>
	7046289	1	MANUAL, Eng. B&S QUANT EURO 98 EPA/CARB	<i>Not shown, Euro models only</i>
	7078131	1	INSTRUCTION, Decal Placement - Vacuum	<i>Not shown</i>
	7075965	1	INSTRUCTION Sheet, Vac Bag Sub Assy.	<i>Not shown</i>
	7075966	1	INSTRUCTIONS, Vac Assy.	<i>Not shown</i>
	7050471	1	DECLARATION of Conformity, ESV25650B	<i>Not shown, Euro models only</i>
	1676946	1	WARRANTY, Limited Sheet	<i>Not shown</i>

### Footnotes:





*Parts Manual for*

# **SNAPPER®**

## **PUSH YARD VACUUM RESIDENTIAL & COMMERCIAL SERIES 0**

IT IS THE POLICY OF BRIGGS & STRATTON CORP TO IMPROVE ITS PRODUCTS WHENEVER IT IS POSSIBLE AND PRACTICAL TO DO SO. WE RESERVE THE RIGHT TO MAKE CHANGES OR ADD IMPROVEMENTS AT ANY TIME WITHOUT INCURRING ANY OBLIGATION TO MAKE SUCH CHANGES ON PRODUCTS

**SNAPPER®** McDonough, GA, 30253 U.S.A.