

Parts Manual for
SNAPPER®

**26" STEEL DECK HI-WHEEL
WALK BEHIND MOWER
SERIES 0**

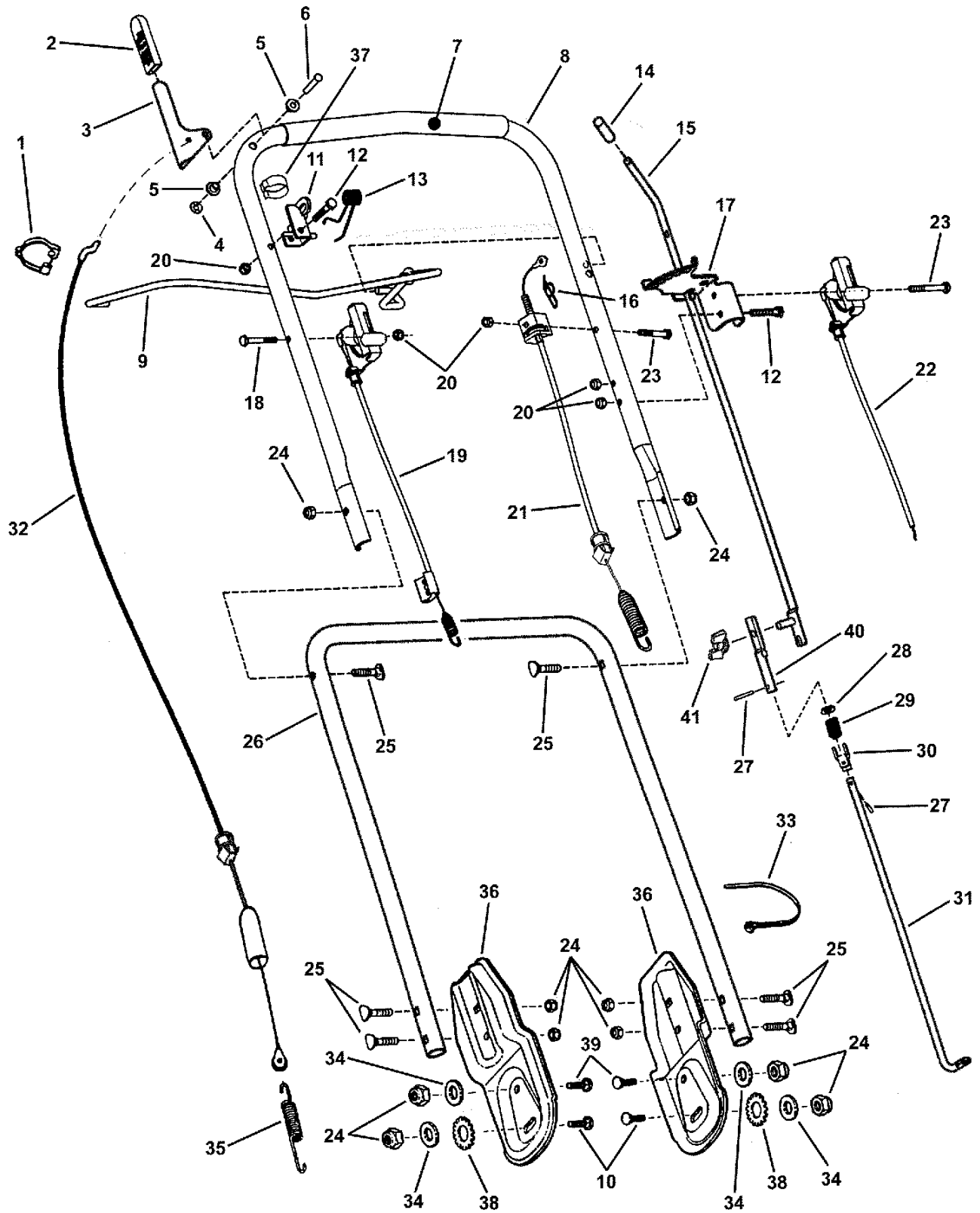
MODEL
HWPS26600RV
HWPS26700BV



SNAPPER® McDonough, GA, 30253 U.S.A.

PAGE	GROUP
4	HANDLES & CONTROLS
8	TOP CASE ASSEMBLY
10	DRIVE SYSTEM (SELF PROPELLED)
14	TRANSMISSION (DIFFERENTIAL)
16	REAR WHEELS, HEIGHT LATCHES, DEBRIS SHIELD
18	SWIVEL CASTER ASSEMBLY
20	ENGINE COMPONENTS
22	CUTTING DECK, DEFLECTOR
24	RAILS, SPINDLE COVER
26	BLADE BRAKE, BELTS
28	SPINDLE
30	DECALS

HANDLES & CONTROLS

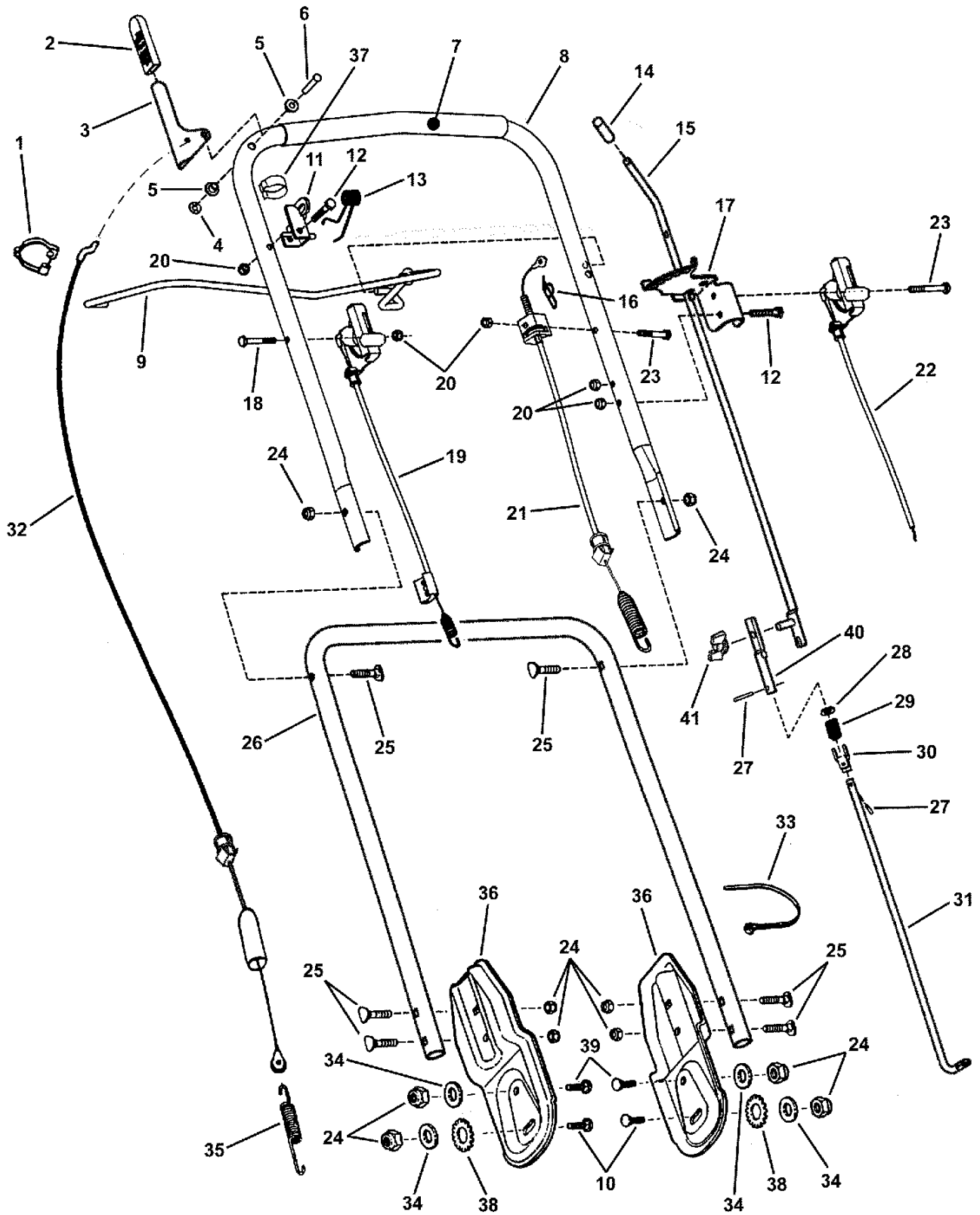


HANDLES & CONTROLS

Item	Part No	Qty	Description	Note
1	7026219	1	CLAMP, 7/8" Double Cable	
2	7014307	1	GRIP, Wheel Drive Handle	
3	7032826	1	HANDLE, Wheel Drive	
4	7091020	1	PUSHNUT, 1/4"	<i>for Clutch Handle Pin</i>
5	7014343	2	BUSHING, Flange	
6	7023792	1	PIN, 1/4 x 1-1/2"	<i>for Clutch Handle Pin</i>
7	7022460	1	FOAM GRIP, Handle	
8	7046831	1	HANDLEBAR, Upper	
9	7057851	1	CONTROL, Blade	
10	7091303	2	BOLT, 5/16-1/ x 1" Square Neck Carriage GR5	<i>Was 91072</i>
11	7057852	1	WELDMENT, Blade Brake Control Bracket	
12	7079577	2	SCREW, 1/4-20 x 1-1/2" Hex Head Cap GR5	
13	7015108	1	SPRING - Blade Control	
14	7023801	1	GRIP, Vinyl	<i>Was 29383</i>
15	7072969	1	ROD, Upper Shift	
16	7034162	1	PIN, 5/16" Self Lock Cotter	
17	7038478	1	SECTOR, Speed	
18	7091813	1	SCREW, 1/4-20 x 1-3/4" Hex Head Cap GR5	<i>Was 91222</i>
19	7046838	1	CABLE, Swivel Wheel Latch	
20	7076978	5	NUT, 1/4-20 Hex Nyloc	
21	7046839	1	CABLE, BBC Control	
22	7072039	1	CONTROL, Throttle	<i>used on HWPS26600RV model</i>
--	7029333	1	CONTROL, Throttle/Choke Briggs Engine	<i>used on HWPS26700BV model</i>
23	7090505	2	SCREW, 1/4-20 x 2" Hex Head Cap GR5	
24	7091298	10	NUT, 5/16-18 Hex Lock	<i>Was 91646</i>
25	7091190	6	BOLT, 5/16-18 x 1-1/2" Curved Head Carriage	
26	7046830	1	HANDLEBAR, Lower	
27	7013877	2	PIN, 1/8" x 1" Roll	
28	7090188	1	WASHER, 11/32" Flat	
29	7012093	1	SPRING, Compression, Shift Rod	
30	7032126	1	CONNECTOR, Shift Rod	<i>Was 58138</i>
31	7046836	1	ROD, Lower Shift	
32	7072282	1	CABLE, Clutch Pull, Z-Bend	<i>includes vinyl spring cover</i>
33	7024641	1	TIE, Wire	
34	7091076	4	WASHER, 11/32" Flat	
35	7012122	1	SPRING, Clutch	
36	7034848	2	BRACKET, Lower Handle	<i>Was 34329</i>

Footnotes:

HANDLES & CONTROLS

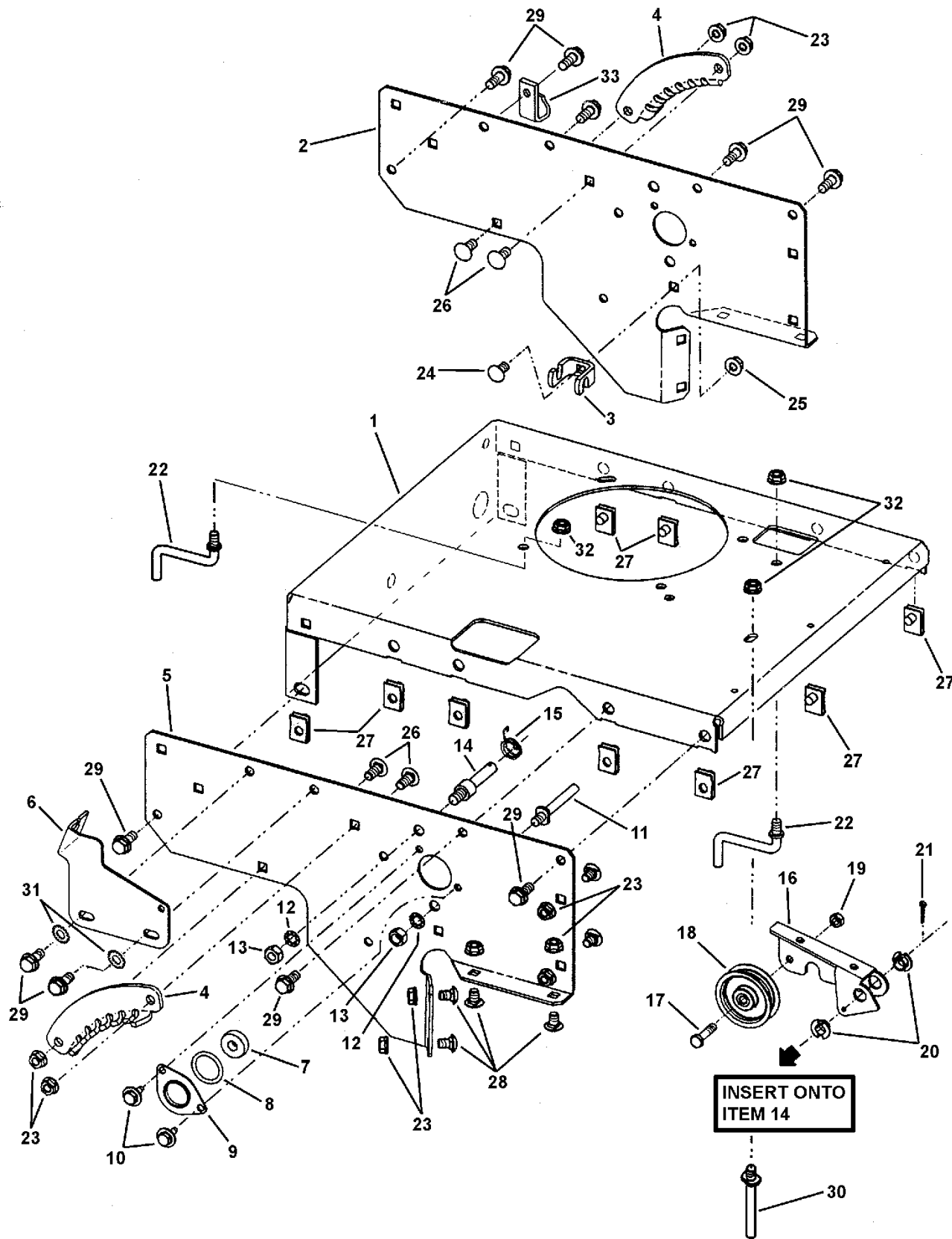


HANDLES & CONTROLS

Item	Part No	Qty	Description	Note
37	7023813	1	CLIP, Wiring Harness	
38	7090189	2	WASHER, 5/16" Internal/External Tooth Lock	
39	7091508	2	BOLT, 5/16-18 x 3/4" Short Neck Carriage GR5	<i>Was 90001</i>
40	7072732	1	ROD, Middle Shift	
41	7029161	1	NUT, 1/4-20 Wing Nyloc	

Footnotes:

TOP CASE ASSEMBLY

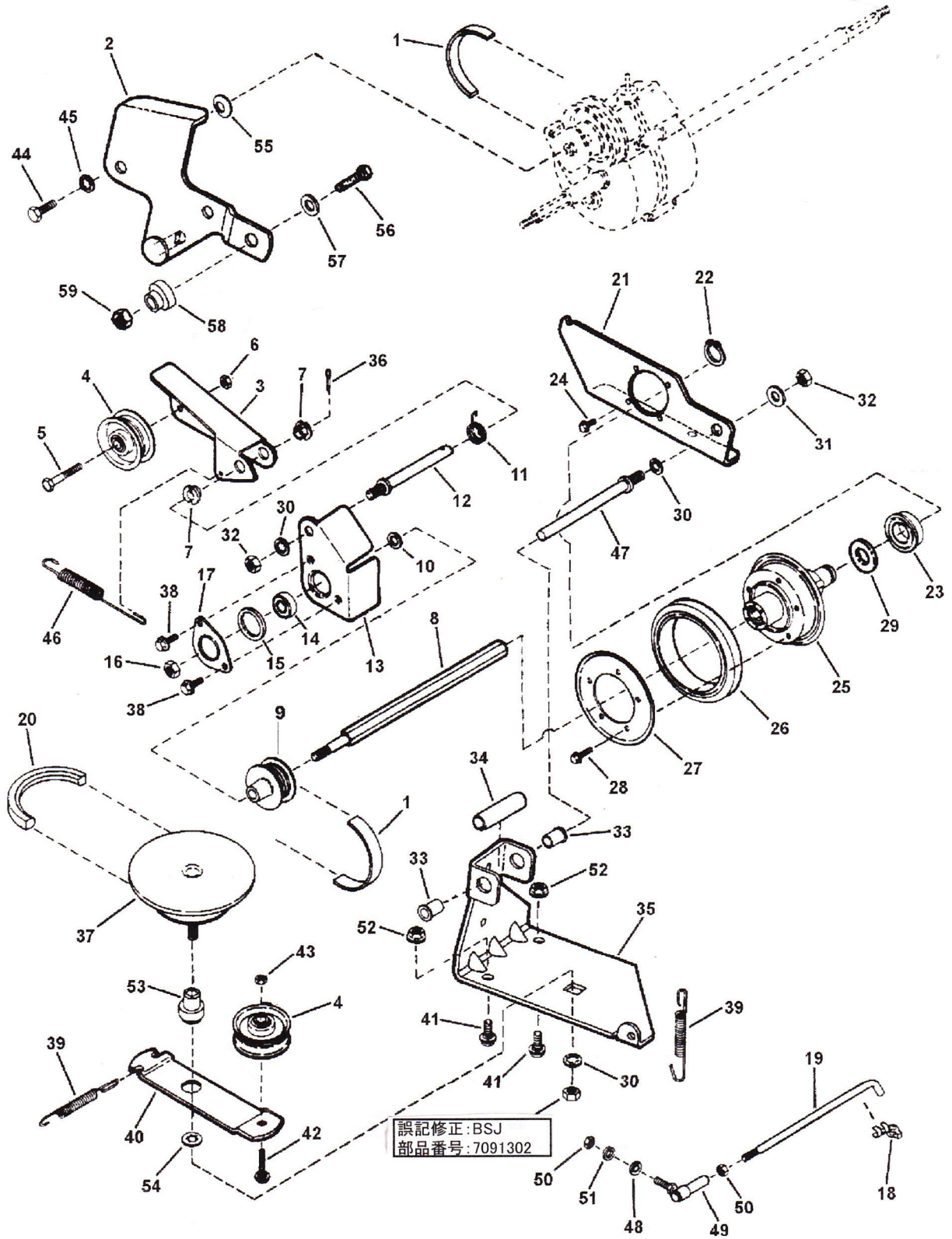


TOP CASE ASSEMBLY

Item	Part No	Qty	Description	Note
1	7046809	1	CASE, Top	
2	7046851	1	FRAME, Left Side	
3	7032830	1	ANCHOR, Lever	
4	7046853	2	COMB, Height Adjuster	
5	7046850	1	FRAME, Right Side	
6	7072280	1	BRACKET, Traction Cable	
7	7028014	1	BEARING, Ball (3/8" I.D.)	
8	7011025	1	O-RING, 1" Nominal I.D.	
9	7031809	1	HOLDER, Half	
10	7091122	2	SCREW, 1/4-20 x 1/2" Hex Washer Self-Tap	Was 90539
11	7012111	1	STUD, Idler (3/8-24 thread)	
12	7090390	2	WASHER, 3/8" Internal Tooth Lock	
13	7091630	2	NUT, 3/8-24 Hex, GR2	Was 90155
14	7046823	1	STUD, Shoulder (3/8-24 thread)	
15	7012126	1	SPRING, Torsion (Idler)	
16	7032832	1	ARM, Clutch Idler	
17	7091025	1	SCREW, 1/4-28 x 1-3/8" Hex Head Cap GR5	
18	7012124	1	PULLEY, Idler	
19	7090303	1	NUT, 1/4-28 Hex Top Lock	
20	7012117	2	BUSHING, 3/8" Plastic	
21	7091597	1	PIN, 3/32 x 1/2" Cotter	Was 90555
22	7035528	2	STUD, Belt Guide (5/16-18 thread)	
23	7091601	11	NUT, 5/16-18 Hex Flange Lock, GR5	Was 90585
24	7090799	1	BOLT, 5/16-18 x 5/8" Short Neck Carriage GR5	Was 91026
25	7091601	1	NUT, 5/16-18 Hex Flange Lock, GR5	Was 91070
26	7091508	4	BOLT, 5/16-18 x 3/4" Short Neck Carriage, GR5	
27	7016116	10	NUT, 5/16-18 Push-On	
28	7090731	12	BOLT, 5/16-18 x 1/2" Short Neck Carriage GR5	
29	7090595	10	BOLT, 5/16-18 x 3/4" Hex Flange Lock, GR5	
30	7028303	1	STUD, Belt Guide (5/16-18 thread)	
31	7090189	3	WASHER, 5/16" Internal/External Tooth Lock	
32	7091575	3	NUT, 5/16-18 Hex Center Lock GR5 or B	
33	7012652	1	CLIP, 7/16" Wire	

Footnotes:

DRIVE SYSTEM (SELF PROPELLED)

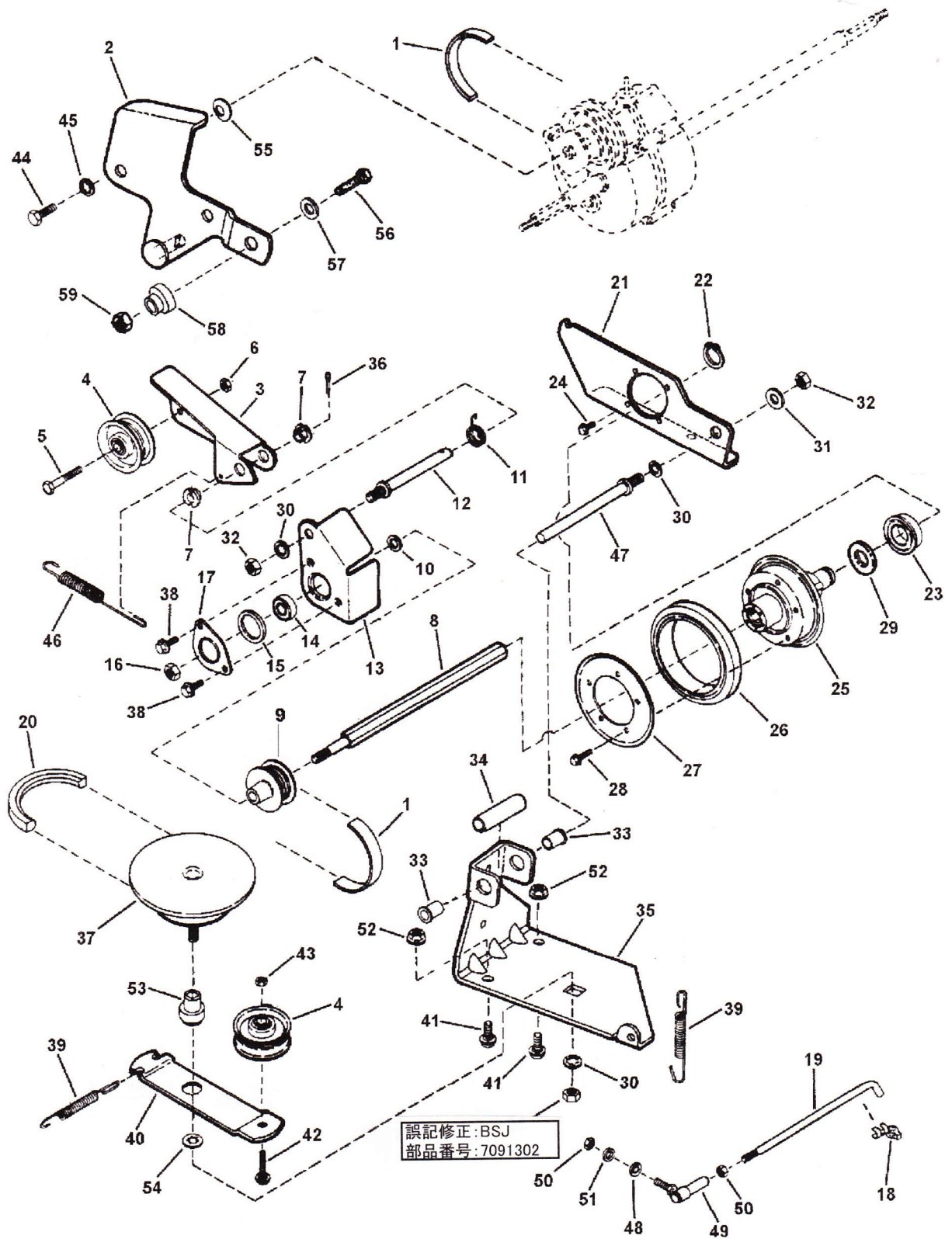


DRIVE SYSTEM (SELF PROPELLED)

Item	Part No	Qty	Description	Note
1	7074464	1	BELT, Poly-Vee	
2	7058118	1	WELDMENT, Differential Link	
--	7051921	1	ASSEMBLY, Clutch Idler	<i>(Includes items 3 thru 7)</i>
3	7032832	1	ARM, Clutch Idler	<i>also shown on Top Case Assembly Page</i>
4	7012124	2	PULLEY, Idler	<i>also shown on Top Case Assembly Page</i>
5	7091025	1	SCREW, 1/4-28 x 1-3/8" Hex Head Cap GR5	<i>also shown on Top Case Assembly Page</i>
6	7090303	1	NUT, 1/4-28 Hex Top Lock	<i>also shown on Top Case Assembly Page</i>
7	7012117	2	BUSHING, 3/8" I.D. Nylon	<i>also shown on Top Case Assembly Page</i>
8	7046822	1	SHAFT, Hex Drive	
9	7046982	1	PULLEY, Poly-V (2" O.D.)	
10	7012316	1	WASHER, 3/8" Flat	
11	7012126	1	SPRING, Torsion	<i>also shown on Top Case Assembly Page</i>
12	7012111	1	STUD, Idler (3/8-24 thread)	<i>also shown on Top Case Assembly Page</i>
13	7031873	1	HOLDER, Bearing (Inner Half)	
14	7028014	1	BEARING, Ball	<i>also shown on Top Case Assembly Page</i>
15	7011025	1	O-RING	<i>also shown on Top Case Assembly Page</i>
16	7090289	1	NUT, 3/8-24 Hex Center Lock	
17	7031809	1	HOLDER, Bearing (Outer Half)	<i>also shown on Top Case Assembly Page</i>
18	7010937	1	CLIP, 1/4" Right Arc (Transfer Rod)	
19	7046824	1	LINK, Transfer	
20	7072453	1	BELT, Deck Drive (3L Section)	<i>22.69" effective length</i>
--	7057847	1	ASSEMBLY, Driven Disc	<i>(Includes items 21 thru 29)</i>
21	7046828	1	PLATE, Thrust	
22	7010746	1	RING, 5/8" External Retaining	
23	7029027	1	BALL BEARING, 3/4" Bore	
24	7090981	4	SCREW, #10-32 x 1/4" Self-Tap Machine	
25	7057846	1	ASSEMBLY, Hub	<i>(Incl. 46827 Hub, 46986 Bushing, 90913(2) Screw & 14678 Bushing)</i>
26	7023364	1	RING, Driven	
27	7031013	1	PLATE, Drive Tire Side	
28	7090913	5	SCREW, #10-24 x 1/2" Hex Washer Self-Tap (Torx)	
29	7010121	1	WASHER, 3/4" Shim	
30	7090390	4	WASHER, 3/8" Internal Tooth Lock	
31	7090122	1	WASHER, 3/8" Flat	

Footnotes:

DRIVE SYSTEM (SELF PROPELLED)

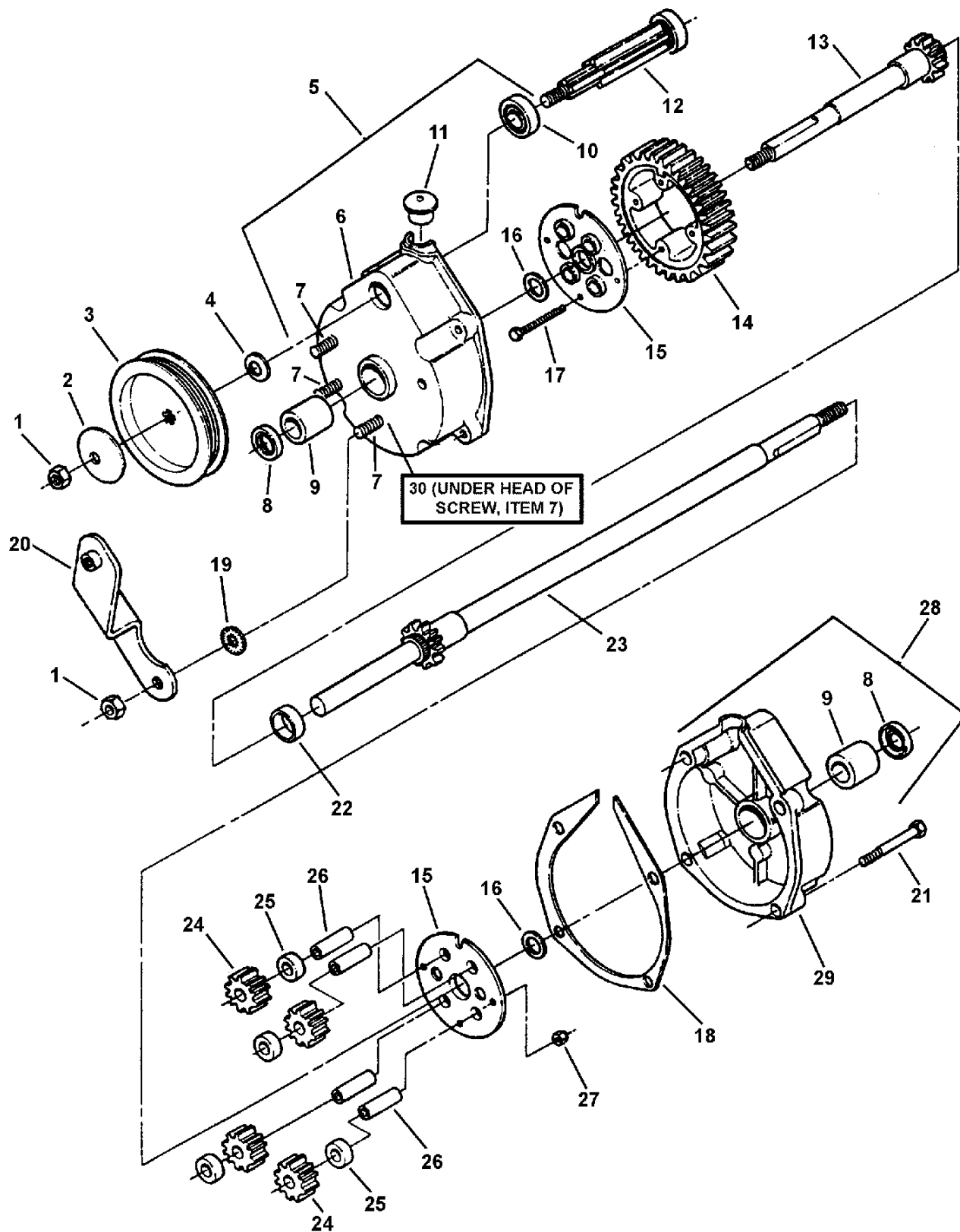


DRIVE SYSTEM (SELF PROPELLED)

Item	Part No	Qty	Description	Note
35	7058012	1	BRACKET, Deck	<i>Was 46852</i>
36	7091597	1	PIN, 3/32 x 1/2" Cotter	<i>Was 90555</i>
37	7061275	1	ASSEMBLY, Steel Drive Disc	<i>Was 15124</i>
38	7091122	2	SCREW, 1/4-20 x 1/2" Hex Washer Self-Tap	<i>Was 90539 (also shown on Top Case Assembly Page)</i>
39	7029025	2	SPRING (Wheel Drive & Idler)	
40	7032116	1	ARM, Idler	
41	7090731	2	BOLT, 5/16-18 x 1/2" Short Neck Carriage GR5	
42	7090947	1	BOLT, 1/4-20 x 1-1/2" Square Neck Carriage GR5	
43	7090372	1	NUT, 1/4-20 Hex Center Lock GR5 or B	
44	7090534	1	SCREW, 5/16-18 x 1/2" Hex Head Cap, GR5	
45	7090391	1	WASHER, 5/16" Internal Tooth Lock	
46	7012122	1	SPRING, Clutch	
47	7012125	1	GUIDE, Thrust Plate	
48	7090053	1	WASHER, 1/4" Internal Tooth Lock	
49	7015753	1	BALL JOINT (1/4-28 thread)	
50	7091294	2	NUT, 1/4-28 Hex GR5	<i>Was 90055</i>
51	7091294	1	WASHER, 1/4" Flat	<i>Was 90055</i>
52	7091601	2	NUT, 5/16-18 Hex Flange Lock, GR5	<i>Was 91070</i>
53	7017696	1	BUSHING	
54	7013847	1	RETAINER, 3/8" Bolt	
55	7011724	1	WASHER, Spring	
56	7090238	1	SCREW, 5/16-24 x 1: Hex Head Cap GR5	
57	7090188	1	WASHER, 5/16" Flat	
58	7012114	1	BUSHING	
59	7091606	1	NUT, 5/16-24 Hex Center Lock	<i>Was 91074</i>

Footnotes:

TRANSMISSION (DIFFERENTIAL)

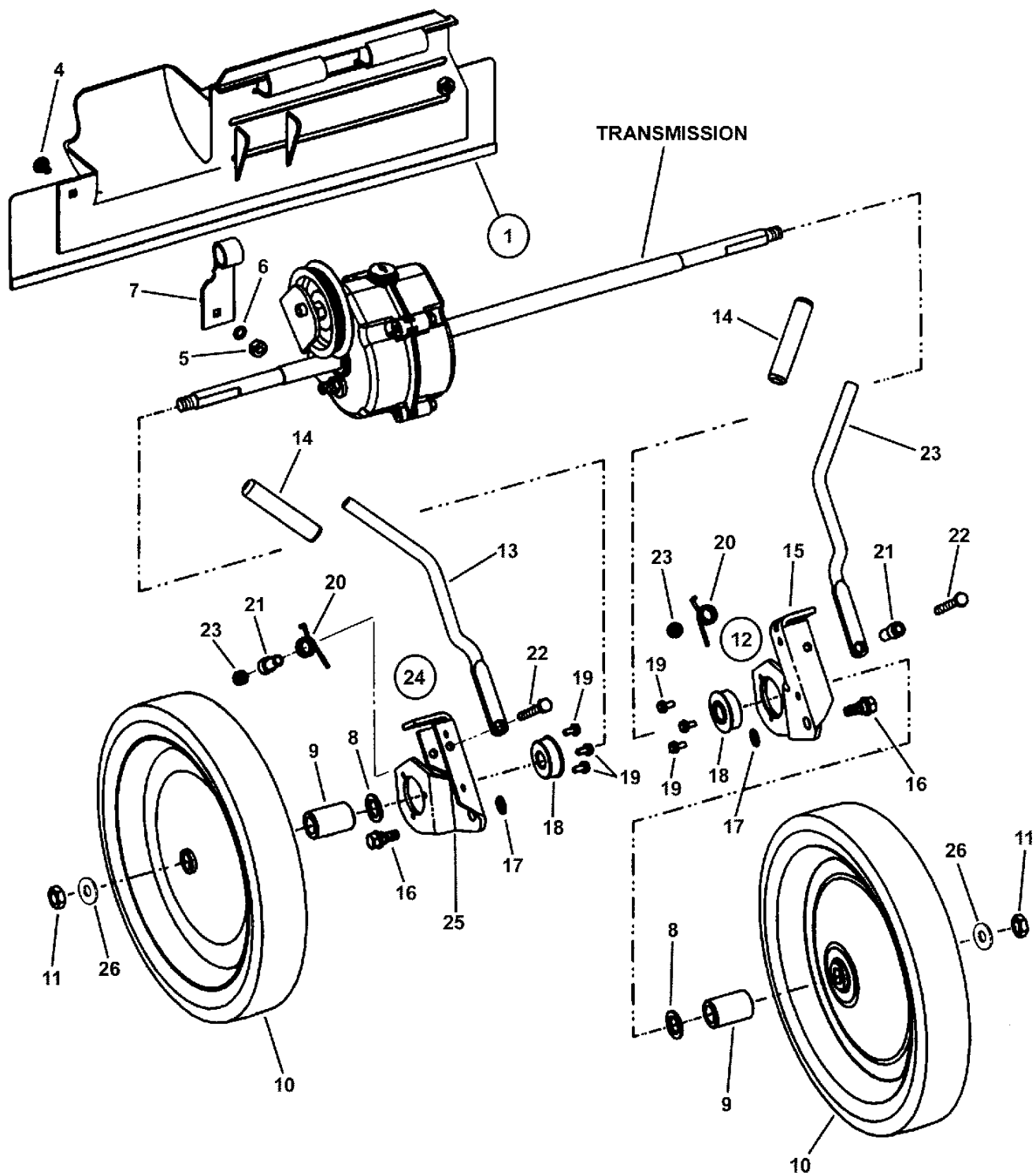


TRANSMISSION (DIFFERENTIAL)

Item	Part No	Qty	Description	Note
--	7057840	1	ASS'Y, Transmission, (Incl. items 1 thru 30)	
1	7092062	4	NUT, 5/16-24 Hex Lock, GR C	Was 11201
2	7092063	1	WASHER, Cone	
3	7019213	1	PULLEY, Poly-Vee Belt	
4	7011724	2	WASHER, Spring	
5	7053942	1	ASSEMBLY, Housing Right	(Includes items 6, 7, 8, 9, 10 & 30)
6	7029034	1	HOUSING, Right Side	
7	7014155	3	SCREW, 5/16-24 x 1-1/8" Rib Neck, GR5	
8	7012314	2	SEAL, 5/8" Internal Dia.	
9	7029035	1	BEARING, Tapered- (Differential Housing)	
10	7073963	1	BEARING, Ball, .437 I.D. x 1.125 O.D. x .375 Thk.	Was 11767
11	7016544	1	PLUG, Housing	
12	7050767	1	GEAR, Input	
13	7057841	1	ASSEMBLY, Short Axle	
14	7012495	1	GEAR, Differential (46 tooth)	
15	7031970	2	PLATE, 46T Gear	
16	7031965	2	WASHER, Thrust, 3/4" I.D.	
17	7090557	4	SCREW, #10-32 x 1-1/2" Hex Head Cap GR5	
18	7011774	1	GASKET, Housing	
19	7090189	3	WASHER, 5/16" Internal/External Tooth Lock	
20	7051903	1	BRACKET, Differential	
21	7091825	4	SCREW, 1/4-20 x 1-1/4" Hex Washer Self-Tap	
22	7012543	1	SPACER, Axle Gear	
23	7057842	1	ASSEMBLY, Long Axle	
24	7021115	4	GEAR, Pinion (12 tooth)	
25	7012500	4	SPACER, Pinion Gear	
26	7011110	4	SHAFT, Pinion	
27	7090376	4	NUT, #10-32 Hex Nyloc	
28	7053939	1	ASSEMBLY, Housing Left	(Includes items 8, 9 & 29)
29	7029033	1	HOUSING, Left	
30	7024442	1	GASKET, 5/8" O. D.	

Footnotes:

REAR WHEELS, HEIGHT LATCHES, DEBRIS SHIELD

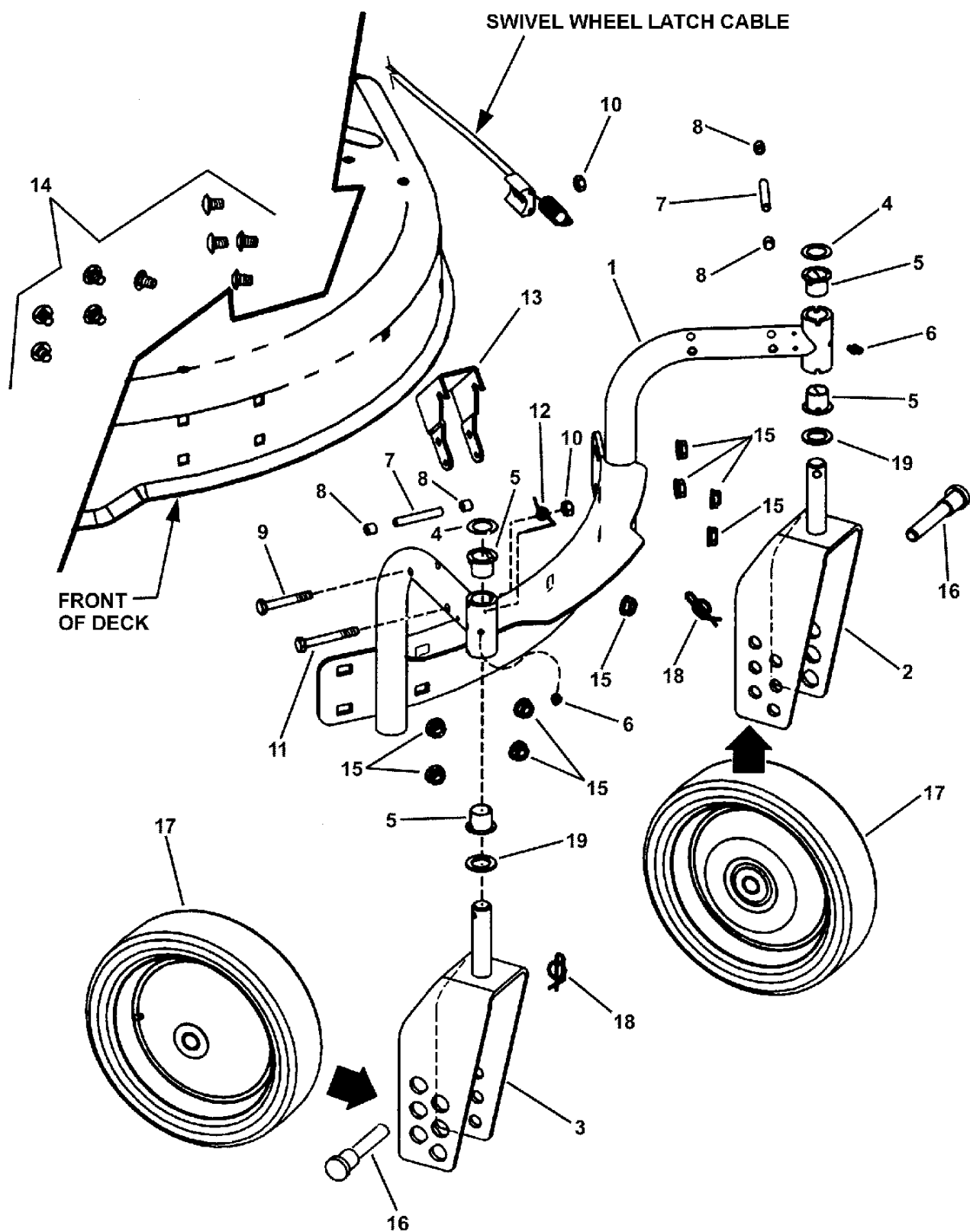


REAR WHEELS, HEIGHT LATCHES, DEBRIS SHIELD

Item	Part No	Qty	Description	Note
1	7057855	1	ASSEMBLY, Debris Shield	<i>(Includes indented items below, plus 5 staples)</i>
--	7046820	1	GUARD, Foot	
--	7057855	1	SHIELD, Debris	<i>Was 46984</i>
4	7091604	1	BOLT, 1/4-20 x 1/2" Short Neck Carriage GR5	<i>Was 90005</i>
5	7091576	1	NUT, 1/4-20 Hex	<i>Was 90063</i>
6	7090053	1	WASHER, 1/4" Internal Tooth Lock	<i>Was 91023</i>
7	7012616	1	SUPPORT, Foot Guard	
8	7091043	2	BUSHING, 5/8" Machine	<i>Not Used on 2001 or 2002 Models</i>
9	7072323	2	SPACER, 5/8" I.D. x 1-1/2" long	
10	7073521	2	WHEEL, 12" x 2.00 Diamond Tread	<i>Was 72327</i>
11	7090377	2	NUT, 7/16-20 Hex Center Lock Jam	
12	7057844	2	ASSEMBLY, Left Wheel Arm	<i>(Includes indented items below)</i>
13	7046817	1	LEVER, Height Adjuster	
14	7022295	1	GRIP, Shift Handle	
15	7046818	1	ARM, Left	
16	7015761	1	BOLT, 5/16-18 Hex Washer Face Shoulder	
17	7011791	1	RETAINER, 5/16" Bolt	
18	7046983	1	BEARING, 9/16"	
19	7091012	3	SCREW, #10-32 x 3/8" Hex Washer Self-Tap	
20	7028888	1	SPRING, Return	
21	7028926	1	SPACER, Height Adjust	
22	7090505	1	SCREW, 1/4-20 x 2" Hex Head Cap GR5	
23	7076978	1	NUT, 1/4-20 Hex Nyloc	
24	7057845	1	ASSEMBLY, Right Wheel Arm	<i>(Includes items 13, 14, 16 thru 23 and 25)</i>
25	7046819	1	ARM, Right	
26	7031961	2	WASHER, 7/16" Flat	

Footnotes:

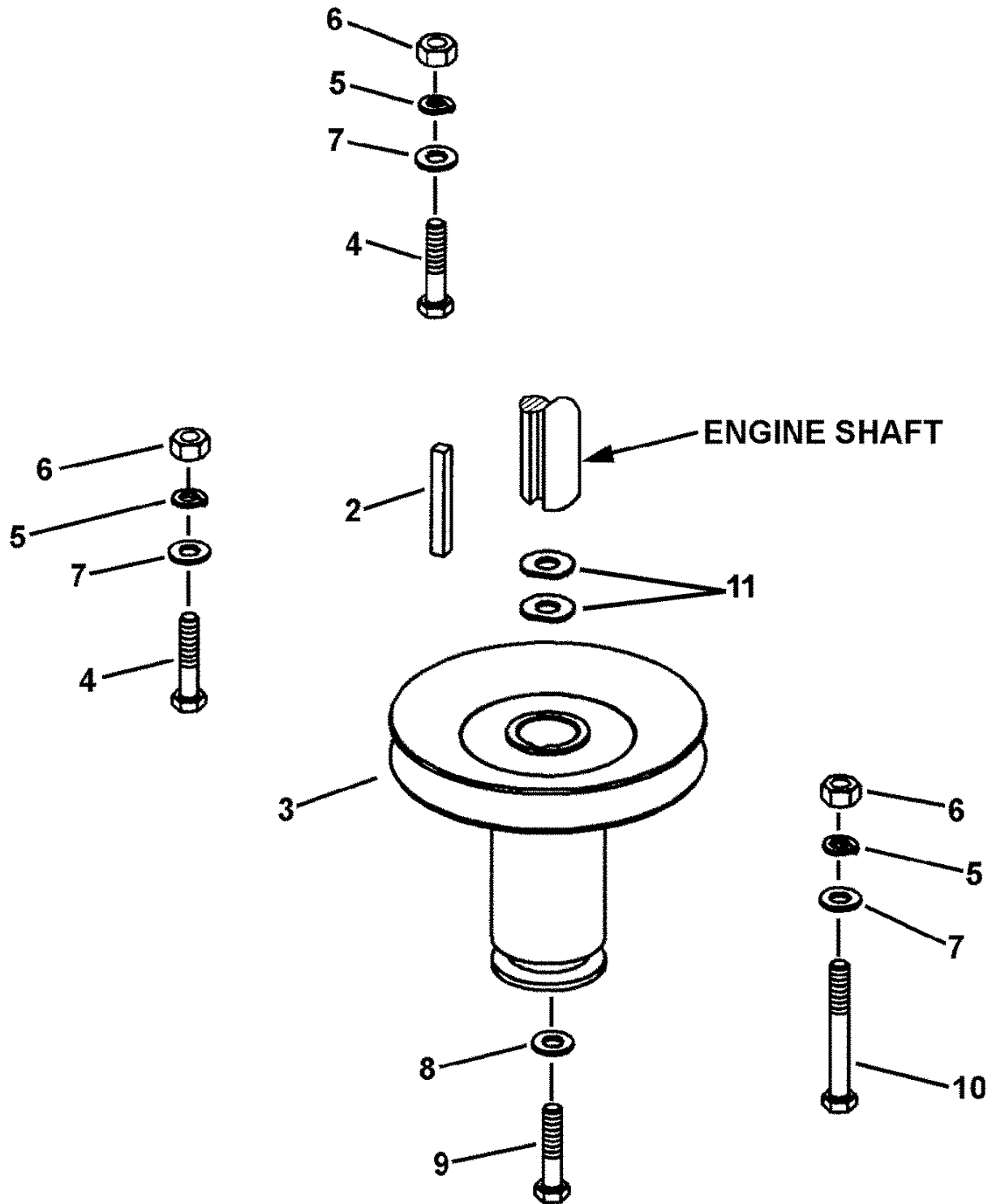
SWIVEL CASTER ASSEMBLY



SWIVEL CASTER ASSEMBLY

Item	Part No	Qty	Description	Note
1	7046981	1	WELDMENT, Front-End Caster	
2	7058353	1	WELDMENT, Right Hand Caster	
3	7058354	1	WELDMENT, Left Hand Caster	
4	7092021	2	WASHER, 5/8" I.D. x .025 Thick Flat	
5	7046628	4	NYLINER, 5/8" I.D.	
6	7013864	2	LUBE FITTING, Straight (press-fit for .187 dia. Hole)	
7	7014106	2	ROLL PIN, 1/4 x 1-3/4"	
8	7072279	4	CAP, Vinyl	
9	7091813	1	SCREW, 1/4-20 x 1-3/4" Hex Head Cap GR5	Was 91222
10	7090372	2	NUT, 1/4-20 Hex Center Lock GR5 or B	
11	7090505	1	SCREW, 1/4-20 x 2" Hex Head Cap GR5	
12	7046668	1	SPRING, Torsion	
13	7072244	1	BRACKET, Swivel Wheel Lock	
14	7090731	9	BOLT, 5/16-18 x 1/2" Short Neck Carriage GR5	
15	7091601	9	NUT, 5/16-18 Hex Flange Lock, GR5	Was 90585
16	7072243	2	PIN, Wheel	
17	7035727	2	WHEEL, 8 x 1.75" Steel w/Bearings	
18	7091594	2	PIN, 1/2" Swivel Wheel Lock	
19	7092022	2	WASHER, 5/8" I.D. x 5/16" Thick Flat	

Footnotes:



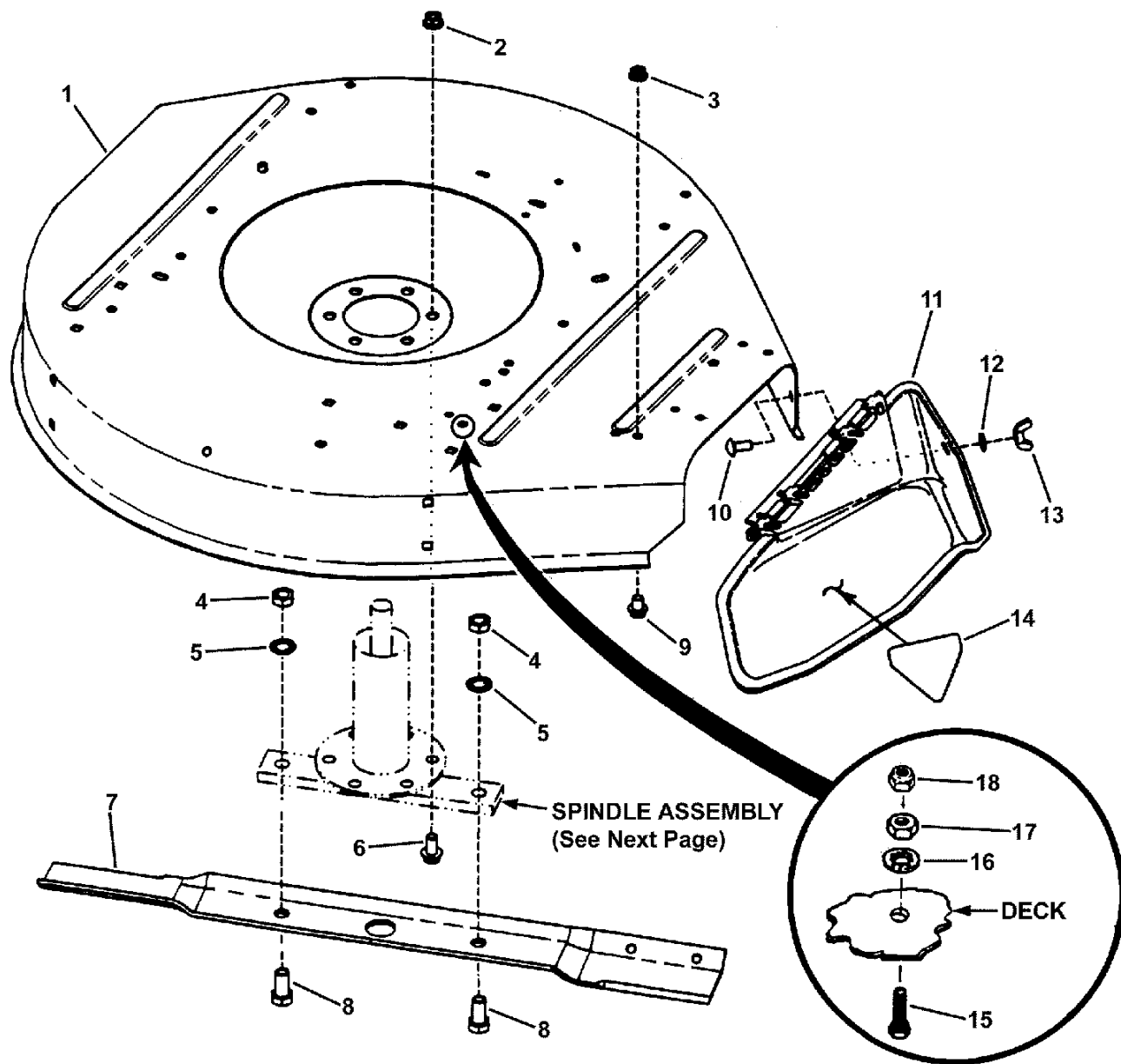
ENGINE COMPONENTS

Item	Part No	Qty	Description	Note
1	--	1	*ENGINE, 6HP (Robin Part No. EH18V)	<i>Model EH180V00053 #1</i>
1	--	1	*ENGINE, 7HP B&S Intek	<i>Model 12H672 Type 0110 Trim E1</i>
2	7010210	1	KEY 1/4" Square x 2" long	<i>used on HWPS26600RV model</i>
2	7013250	1	KEY 1/4" Square x 1" long	<i>used on HWPS26700BV model</i>
3	7046812	1	PULLEY, Engine	
4	7090242	2	SCREW, 5/16-24 x 1-1/2" Hex Head Cap, GR 2	
5	7090187	3	WASHER, 5/16" Split Lock	
6	7090223	3	NUT, 5/16-24 Hex	
7	7090188	3	WASHER, 5/16" Flat	
8	7079268	1	WASHER, 3/8" Split Lock	
9	7090160	1	SCREW, 3/8-24 x 1" Hex Head Cap, GR 5	
10	7090246	1	SCREW, 5/16-24 x 2-1/2" Hex Head Cap, GR 5	
11	7044770	2	SPACER, .06 Blade Hub	<i>used on Briggs model only</i>

Footnotes:

*NOTE: Purchase engine parts from engine manufacturer dealer.

CUTTING DECK, DEFLECTOR

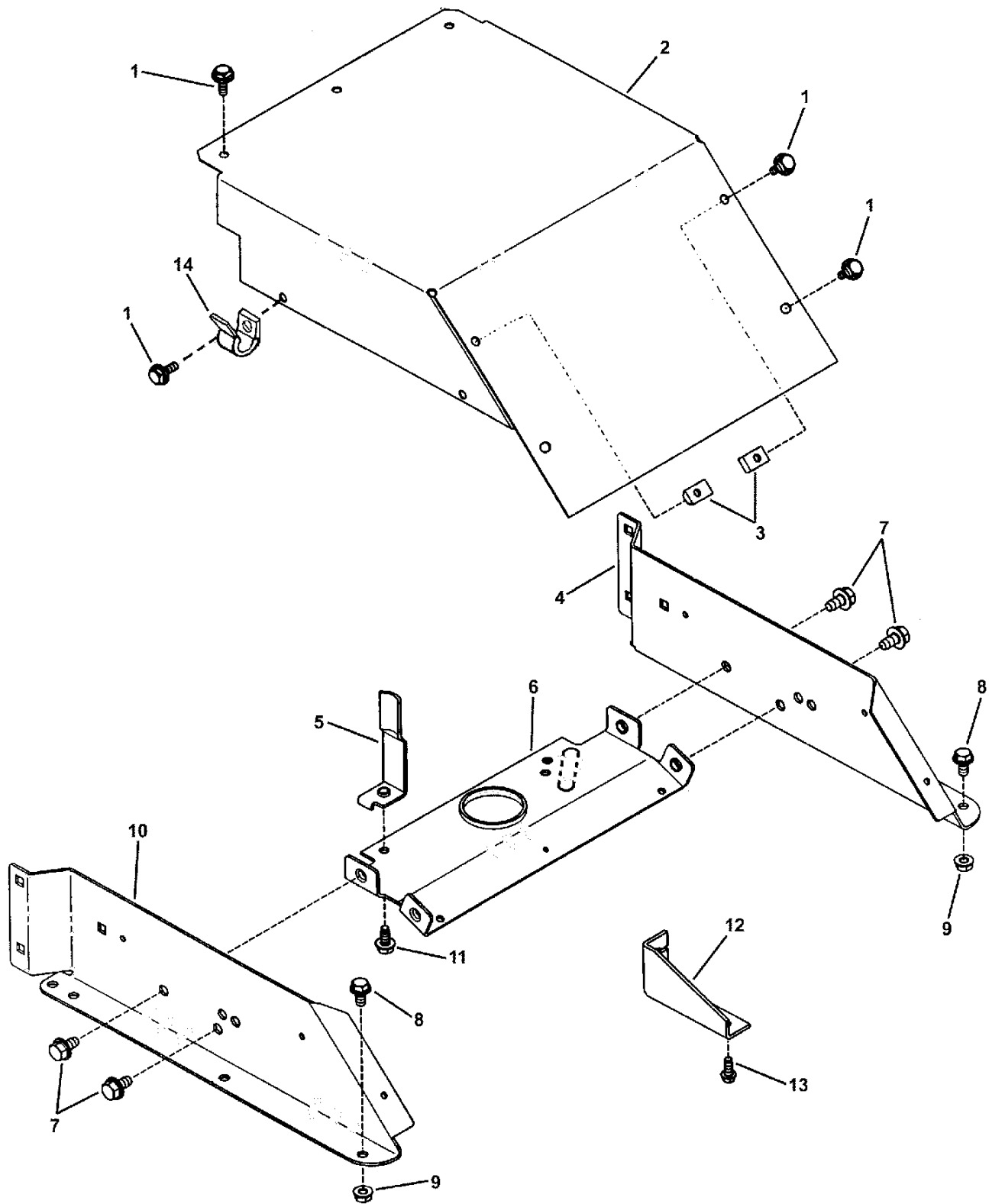


CUTTING DECK, DEFLECTOR

Item	Part No	Qty	Description	Note
1	7046846	1	DECK, 26"	
2	7091619	3	NUT, 3/8-16 Hex Flange Lock	<i>Was 90613</i>
3	7091601	2	NUT, 5/16-18 Hex Flange Lock, GR5	<i>Was 91070</i>
4	7091939	2	NUT, 1/2-20 Hex-Jam	
5	7090509	2	WASHER, 1/2" Internal Tooth Lock	
6	7091588	3	BOLT, 3/8-16 x 3/4" Hex Flange Lock	<i>Was 90612</i>
7	7018068	1	BLADE, 26"	
8	7090491	2	SCREW, 1/2-20 x 1" Hex Cap	
9	7090721	2	BOLT, 5/16-18 x 1/2" Hex Flange Lock GR5	
10	7091508	1	BOLT, 5/16-18 x 3/4" Short Neck Carriage, GR5	
11	7052553	1	DEFLECTOR, 26" Discharge	
12	7090188	1	WASHER, 5/16" Flat	<i>Was 91296</i>
13	7091537	1	WING-NUT, 5/16-18	<i>Was 90492</i>
14	7013010	1	DECAL, Danger, Cut Finger	
15	7027230	1	SCREW, 1/4-20 x 1" Hex Head Cap GR5	
16	7090053	1	WASHER, 1/4" Internal Tooth Lock	<i>Was 91314</i>
17	7091576	1	NUT, 1/4-20 Hex	<i>Was 90063</i>
18	7091603	1	NUT, 1/4-20 Hex Nyloc	

Footnotes:

RAILS, SPINDLE COVER

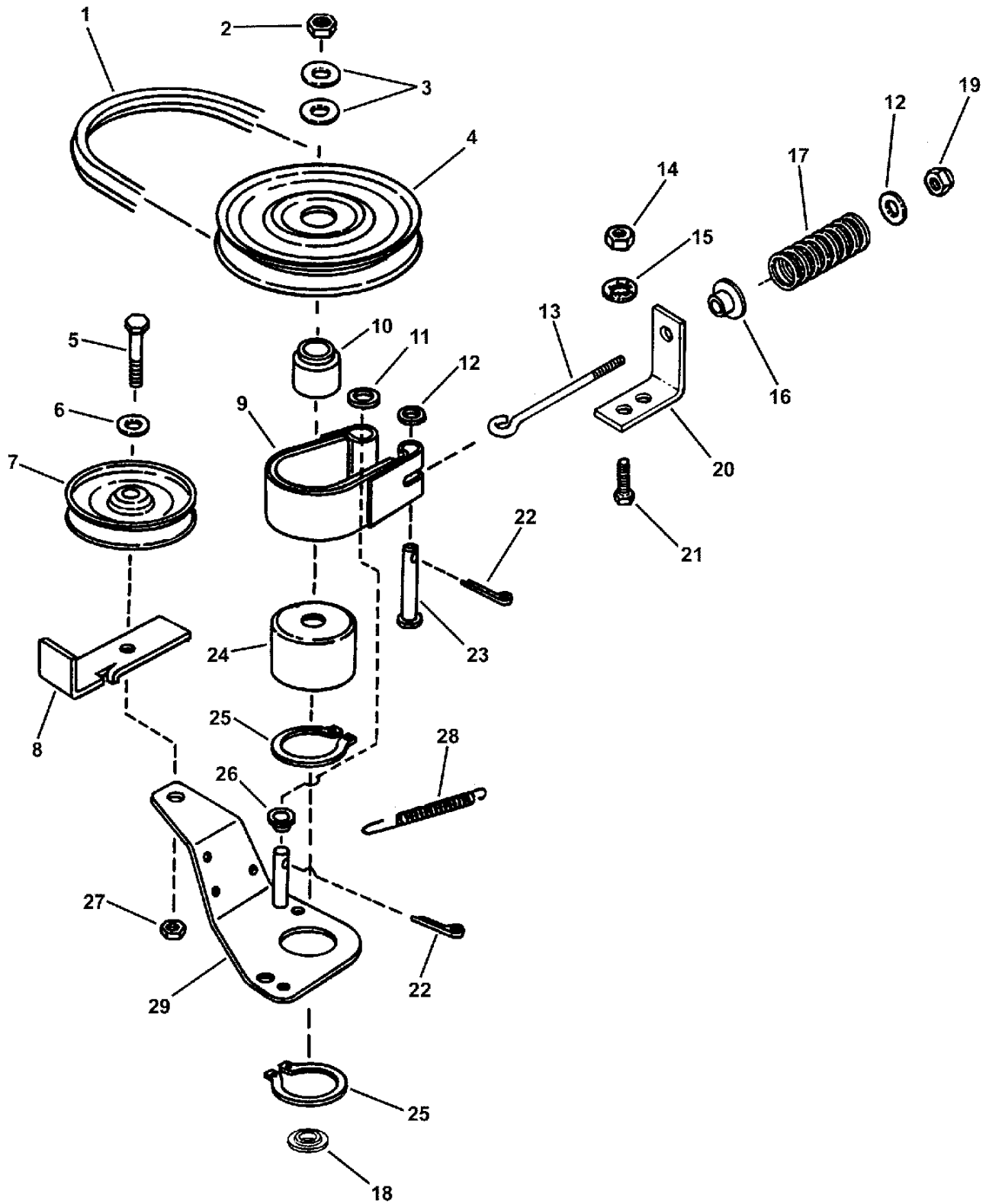


RAILS, SPINDLE COVER

Item	Part No	Qty	Description	Note
1	7090741	11	SCREW, 1/4-20 x 5/8" Hex Washer Self-Tap	<i>Was 91016</i>
2	7046829	1	COVER, Spindle	
3	7023295	2	U-NUT, 1/4-20 Lock	<i>Was 91907</i>
4	7046847	1	RAIL, Deck Left Hand	
5	7031855	1	GUIDE, Belt	
6	7046849	1	BRACE, Spindle	
7	7091198	4	SCREW, 3/8-16 x 5/8" Hex Washer Self-Tap	
8	7090606	6	BOLT, 5/16-18 x 5/8" Hex Flange Lock	
9	7091601	6	NUT, 5/16-18 Hex Flange Lock, GR5	<i>Was 90585</i>
10	7046848	1	RAIL, Deck Right Hand	
11	7090361	1	SCREW, 5/16-18 x 5/8" Hex Washer Self-Tap	
12	7046854	1	BRACKET, Cable Anchor	
13	7091819	2	SCREW, 1/4-20 x 5/8" Hex Washer Self-Tap	<i>Was 90362</i>
14	7026436	1	CLAMP, Double Tube	

Footnotes:

BLADE BRAKE, BELTS

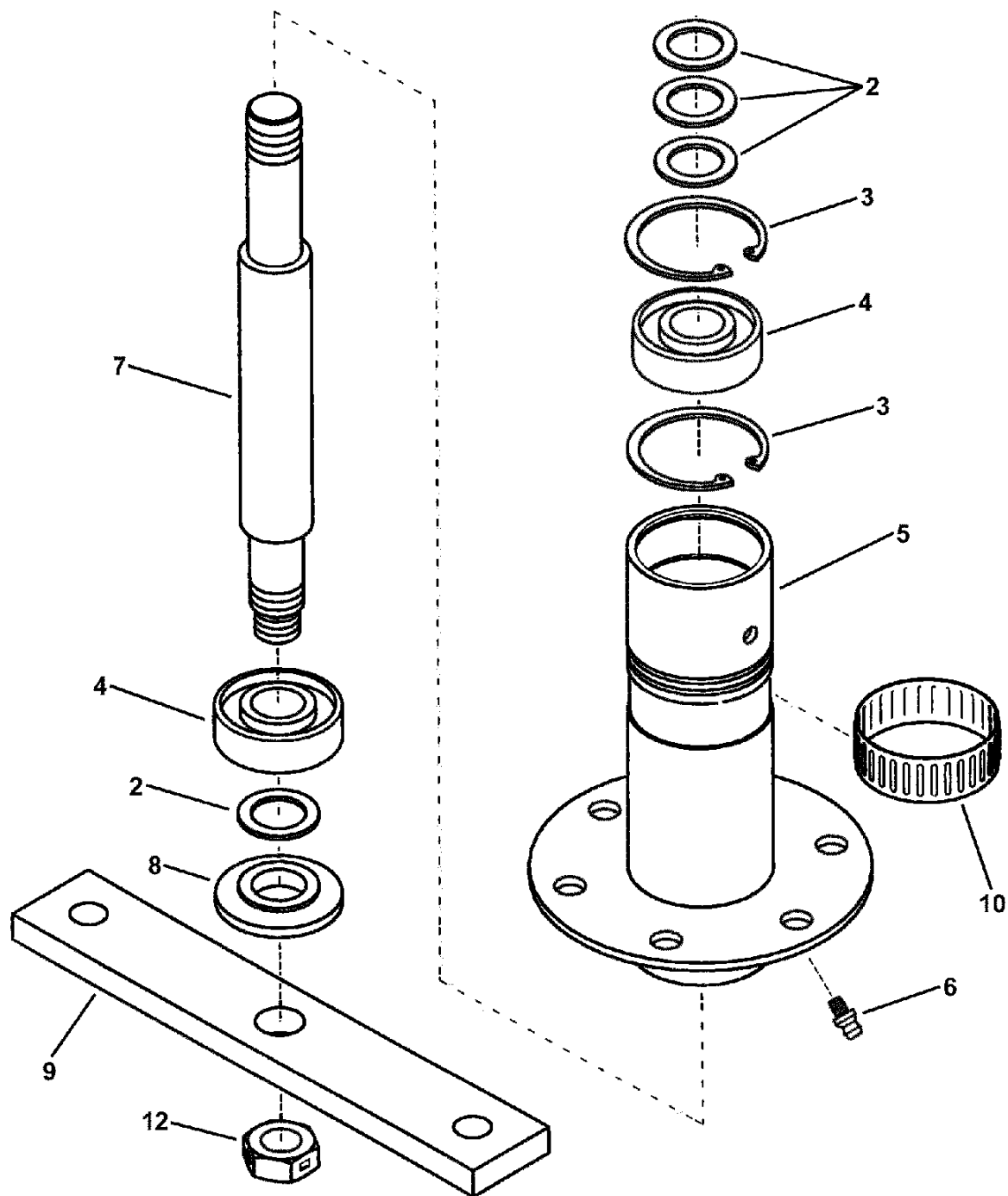


BLADE BRAKE, BELTS

Item	Part No	Qty	Description	Note
1	7046825	1	BELT, Engine Drive	<i>Section AA, 47.28" effective length</i>
2	7074467	1	NUT, 3/4-16 Hex Jam GR 8	
3	7032027	2	WASHER, 49/64 x 1-1/2" Flat	
4	7018781	1	PULLEY, Deck Spindle	
5	7091517	1	SCREW, 3/8-24 x 1-3/4" Hex Head Cap GR5	
6	7090122	1	WASHER, 3/8" Flat	<i>Was 91514</i>
7	7029624	1	PULLEY, Idler	
8	7032111	1	RESTRICTOR, Belt	
9	7034852	1	BAND, Brake	<i>Was 63211</i>
10	7015290	1	HUB, Pulley	
11	7090122	1	WASHER, 3/8" Flat	
12	7091294	2	WASHER, 1/4" Flat	<i>Was 90055</i>
13	7046677	1	EYEBOLT, 1/4-20 x 4"	
14	7091297	2	NUT, 5/16-24 Hex	<i>Was 90223</i>
15	7090391	2	WASHER, 5/16" Internal Tooth Lock	
16	7014343	1	BUSHING, Flange	
17	7046782	1	SPRING	
18	7014407	1	WASHER, Spindle	
19	7091705	1	NUT, 1/4-20 Hex Top Lock	<i>Was 90761</i>
20	7032243	1	ANCHOR	
21	7090233	2	SCREW, 5/16-24 x 3/4" Hex Head Cap GR5	
22	7091597	2	PIN, 3/32 x 3/4" Cotter	<i>Was 90037</i>
23	7014304	1	PIN, 1/4 x 1-5/8" Clevis	
24	7035378	1	DRUM, Brake	
25	7010740	2	RING, 2" External Retaining	
26	7014314	1	SPACER	
27	7091518	1	NUT, 3/8-24 Hex Nyloc	
28	7024341	1	SPRING, Brake	
29	7047787	1	ARM, Idler	

Footnotes:

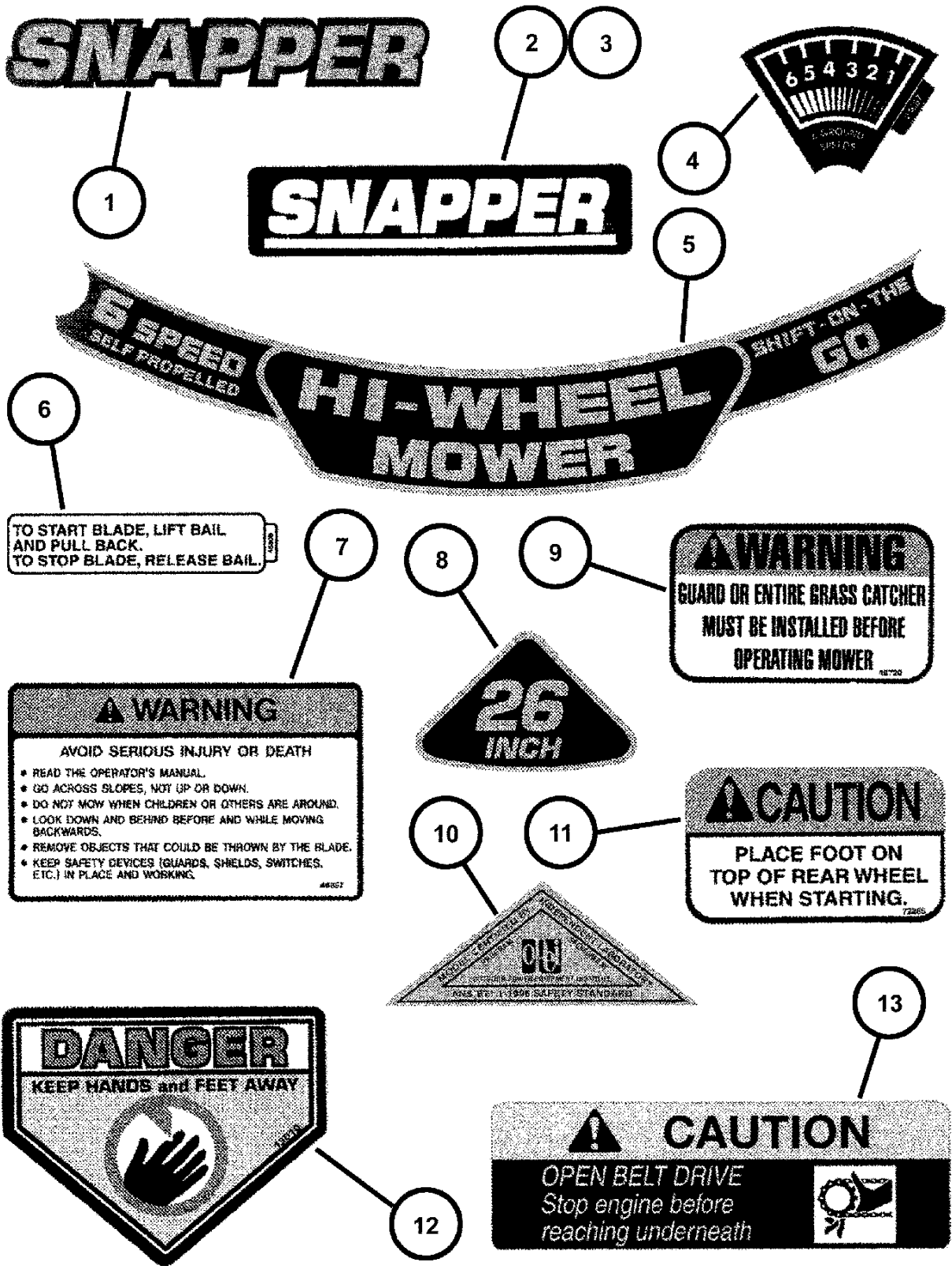
SPINDLE



SPINDLE

Item	Part No	Qty	Description	Note
1	7058493	1	ASSEMBLY, Spindle Housing	<i>Includes items 2 thru 11</i>
2	7010935	4	WASHER, 49/64" Shim	
3	7012491	2	RING, 1-3/4" External Retaining	
4	7013313	2	BEARING, Spindle	
5	7057860	1	HOUSING, Spindle	<i>Includes item 6</i>
6	7010817	1	FITTING, Lube	
7	7046845	1	SPINDLE (8.96" long)	
8	7014407	1	WASHER, Spindle	
9	7031184	1	HOLDER, Blade	
10	7012670	1	RING, Tolerance	
12	7090356	1	NUT, 5/8-18 Hex Center Lock	

Footnotes:



DECALS

Item	Part No	Qty	Description	Note
1	7073905	1	DECAL, SNAPPER - 3D	
2	7019295	1	DECAL, SNAPPER (White Letters)	
3	7058199	1	DECAL, SNAPPER (Silver Letters)	
4	7024087	1	DECAL, Speed Sector	
5	7058202	1	DECAL, Hi-Wheel Mower	
6	7046808	1	DECAL, Blade Brake Clutch Control	
7	7046357	1	DECAL, Warning 1997	
8	7023993	1	DECAL, 26"	
9	7046720	1	DECAL, Discharge Chute 26" & 30"	
10	7073335	1	DECAL, OPEI	
11	7072265	1	DECAL, Stabilization	
12	7013010	2	DECAL, Danger, Cut Finger	
13	7073594	1	DECAL, Caution	

Footnotes:

Parts Manual for

SNAPPER[®]

26" STEEL DECK HI-WHEEL WALK BEHIND MOWER SERIES 0

IT IS THE POLICY OF SNAPPER TO IMPROVE ITS PRODUCTS
WHENEVER IT IS POSSIBLE AND PRACTICAL TO DO SO. WE
RESERVE THE RIGHT TO MAKE CHANGES OR ADD IMPROVEMENTS
AT ANY TIME WITHOUT INCURRING ANY OBLIGATION TO MAKE
SUCH CHANGES ON PRODUCTS MANUFACTURED PREVIOUSLY.

SNAPPER McDonough, GA, 30253 U.S.A.