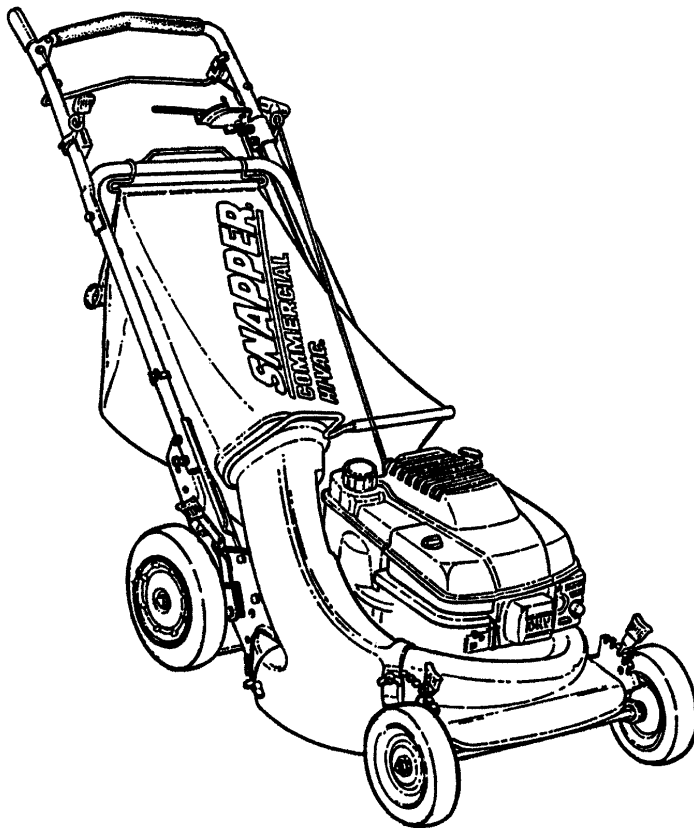


Parts Manual for
SNAPPER[®]

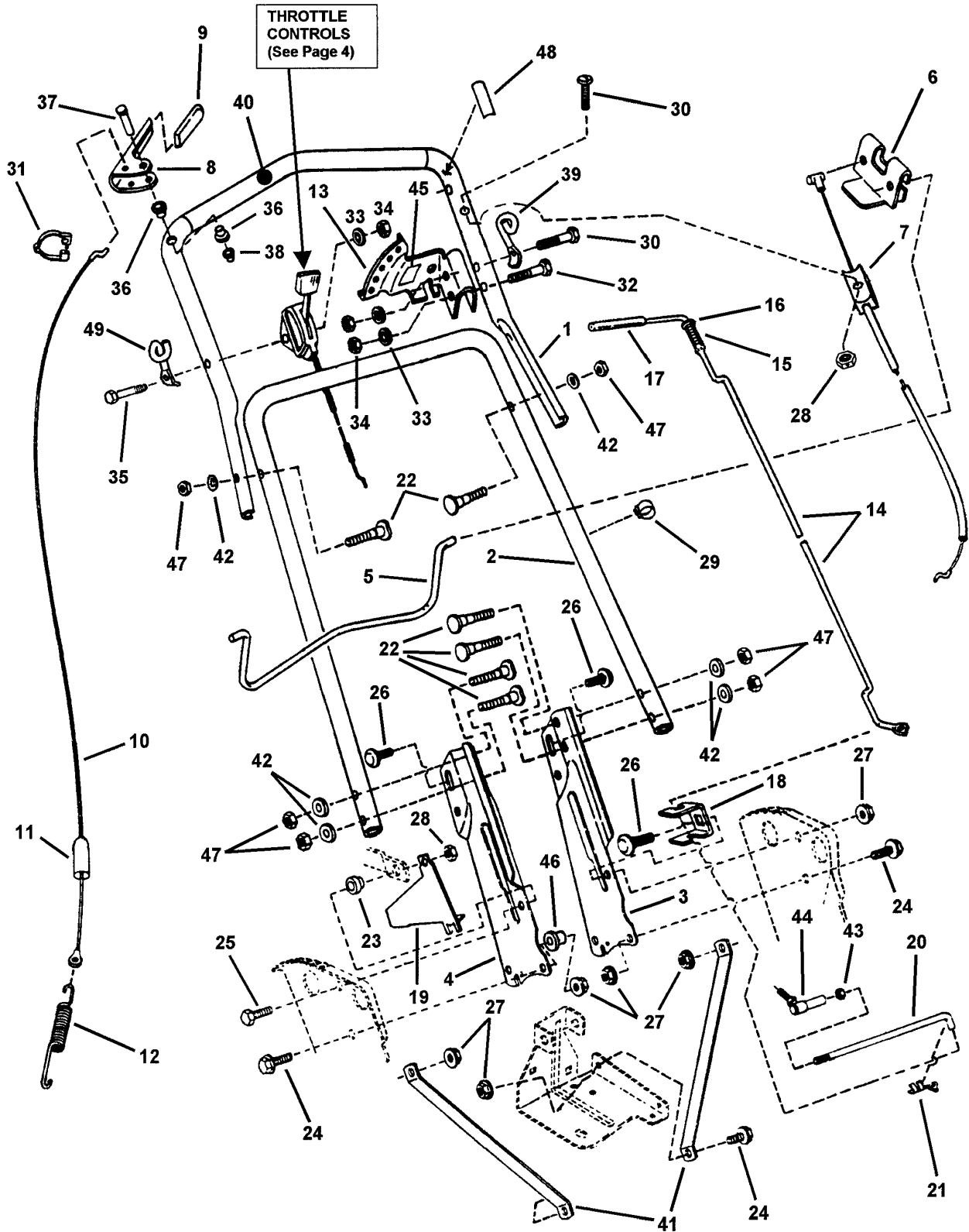
**21" STEEL DECK WALK BEHIND
COMMERCIAL MOWERS
SERIES 12 & 13**

PUSH MODELS	PROPELLED MODELS
C216012RV	CP214012R2 CP215013KWV CP215512KWV CP216012RV CP216512RV



SNAPPER McDonough, GA, 30253 U.S.A.

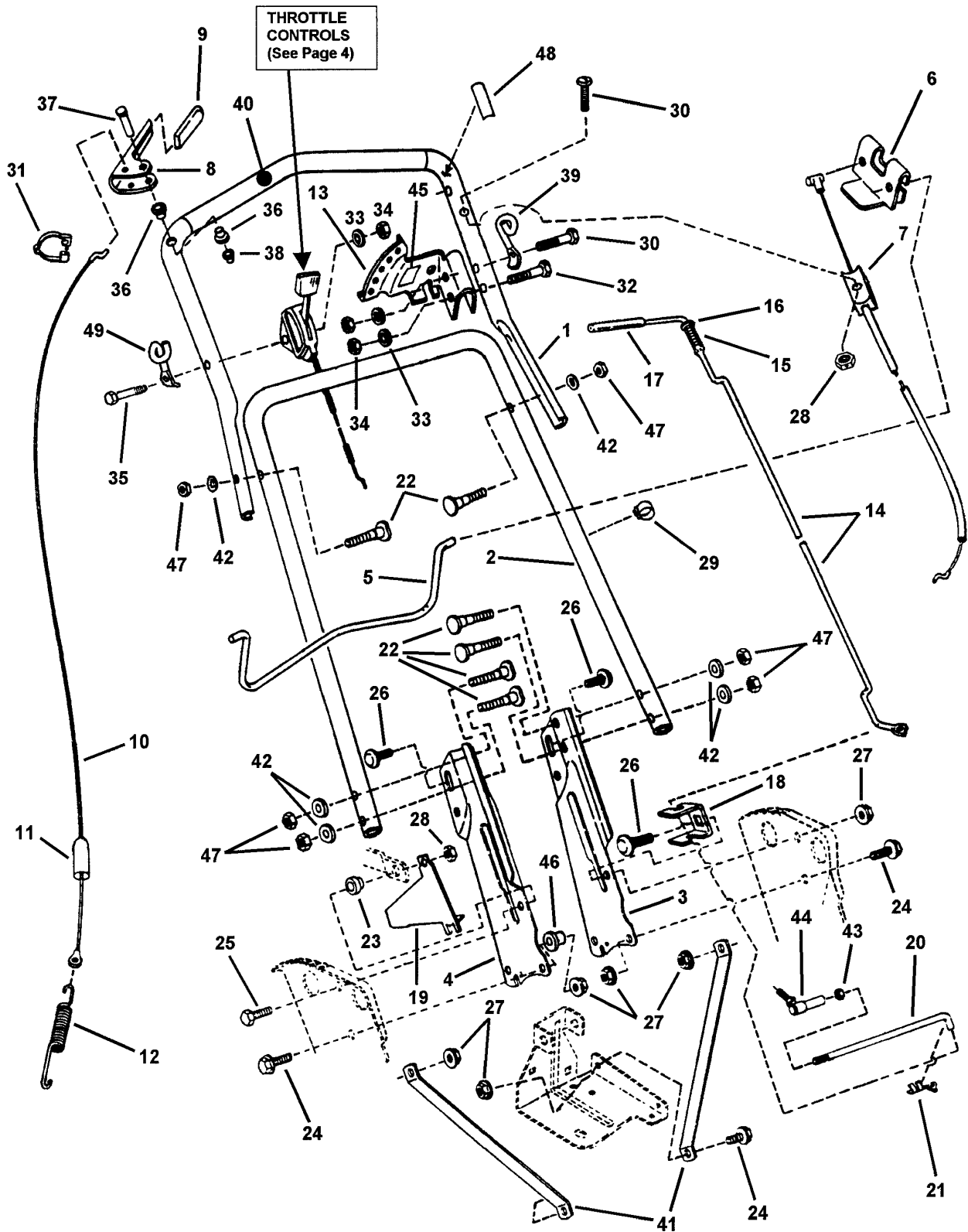
PAGE	GROUP
4	Handles & Controls
8	Handles & Controls (Model CP215013KWV Only)
12	Cutting Deck, Blade
14	Front Wheel Bracket, Latches
16	Rear Wheel Brackets, Latches
18	Front And Rear Wheels
20	Drive System Self-Propelled
24	Transmission (Differential)
26	Throttle Controls
28	Engine Specification
30	Decals (Part 1)
32	Decals (Part 2)
34	Decals (Part 3)
36	Adapter, Brackets
38	Grass Bag (Accessory)
40	Recycling Kits
42	Snapperizer (Accessory)
44	Thatcherizer (Accessory)



Handles & Controls

Item	Part No	Qty	Description	Note
1	7046914		HANDLE, Upper	<i>Was 24889, Used on Self-Propelled</i>
	7072709		HANDLE, Upper	<i>Used on Push</i>
2	7024890		HANDLE, Middle	
3	7033986		HANDLE, Lower Right Hand	
4	7033985		HANDLE, Lower Left Hand	
5	7024978		CONTROL, Blade	
6	7033904		CLIP, Blade Control	
7	7026875		CABLE, Blade Control (47.56/5.34 length)	<i>Used on Kawasaki Engines</i>
	7035881		CABLE, Blade Control (57.50/5.52 length, snap-in)	<i>Used on Robin Engine (4-Cycle)</i>
	7027393		CABLE, Blade Control (46.12/5.38 length)	<i>Used on Robin Engine (2-Cycle)</i>
8	7032826		HANDLE, Wheel Drive	
9	7014307		GRIP, Wheel Drive Handle	
10	7025013		CABLE, Clutch Pull (Z-Bend) (41.44" length)	
11	7012121		COVER, Vinyl	
12	7012122		SPRING, Clutch	
13	7038478		SECTOR, Speed	
14	7029911		LEVER, Speed Control	
15	7012093		SPRING, Speed Control	
16	7090188		WASHER, 3/8" Flat	
17	7023801		GRIP, Speed Control Handle	
18	7032830		ANCHOR, Speed Control	
19	7032408		GUIDE, Lower V-Belt	
20	7015752		ROD, Transfer	
21	7010937		CLIP, Transfer Rod	
22	7091190		BOLT, 5/16-18 x 1-1/2" Curved Head	
23	7012114		BUSHING, Differential	
24	7090595	3	BOLT, 5/16-18 x 3/4" Hex Flange Lock Gr. 5	
25	7090238		SCREW, 5/16-24 x 1" Hex Cap Grade 5	
26	7090799	3	BOLT, 5-16-18 x 5/8" Carriage Grade 5	<i>Was 91026</i>
27	7091601		NUT, 5/16-18 Hex Flange Lock Grade 5	<i>Was 91070</i>
28	7091606		NUT, 5/16-24 Hex Center Lock Grade B	<i>Was 91074</i>
29	7023813	3	CLIP, Wiring Harness	
30	7090545		SCREW, 1/4-20 x 1-3/4" Hex Cap Grade 5	
31	7026219		CLAMP, 7/8" Double Cable	
32	7079577	2	SCREW, 1/4-20 x 1-1/2" Hex Cap Grade 5	
33	7090053	3	WASHER, 1/4 Internal Tooth Lock	<i>Was 91023</i>
34	7091576	3	NUT, 1/4-20 Hex	<i>Was 91100</i>

Footnotes:

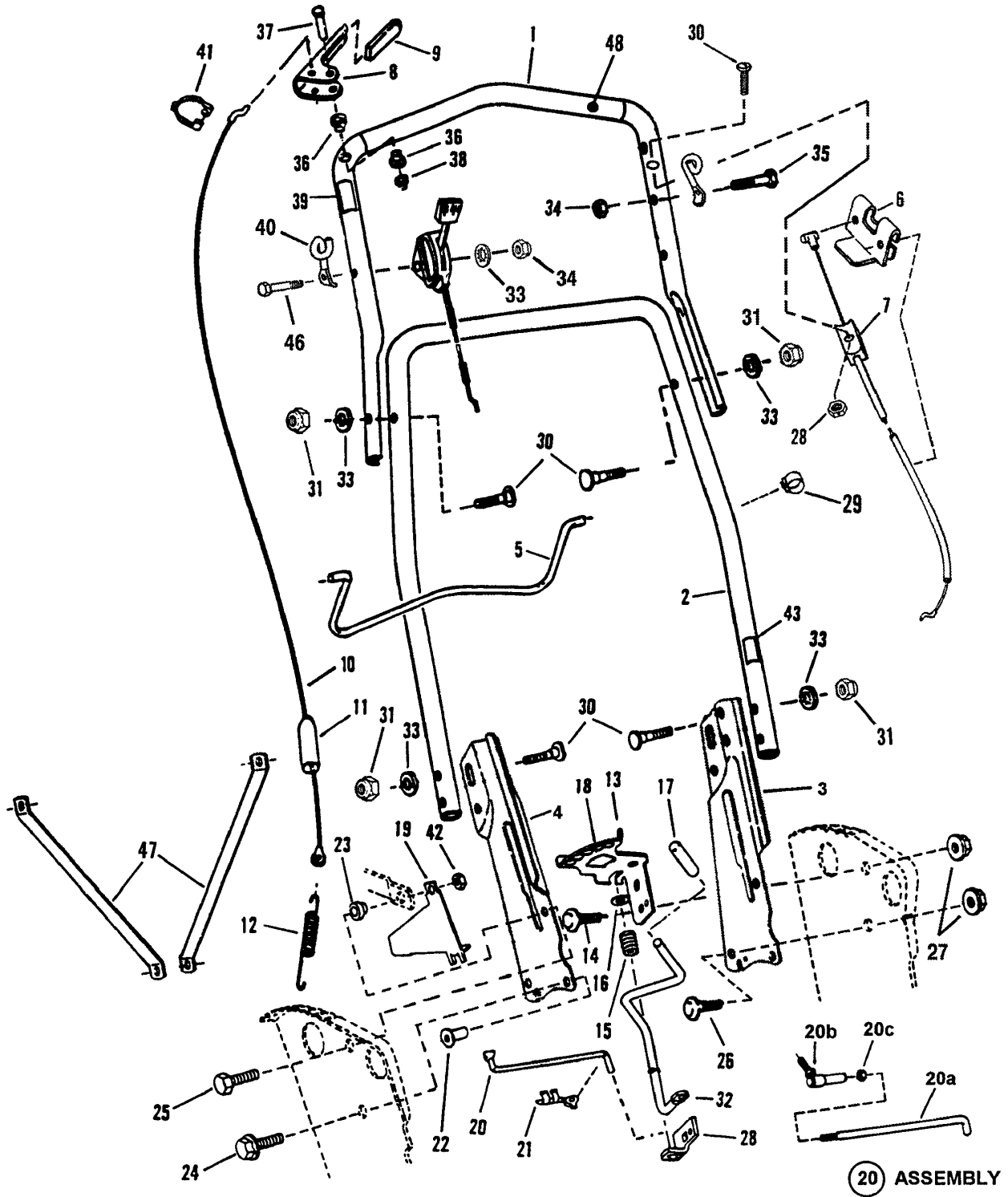


Handles & Controls

Item	Part No	Qty	Description	Note
35	7090505		SCREW, 1/4-20 x 2" Hex Cap Grade 5	
36	7014343	2	BUSHING	
37	7023792		PIN, Clutch Handle	
38	7091020		NUT, Push (for handle pin)	
39	7022779		GUIDE, Rope (Left Hand)	
40	7022460		GRIP, Foam	
41	7046707	2	STRAP, Handle	
42	7090391		WASHER, 5/16 Internal Tooth Lock	
43	7090095		NUT, 1/4-28 Hex, Grade 5	
44	7015753		JOINT, Ball	
45	7024087		DECAL, Speed Selector	
46	7090895		NUT, 5/16-18 Tee	
47	7091511	6	NUT, 5/16-18 Hex Grade 5	
48	7024211		DECAL, Blade Control	
49	7026141		GUIDE, Rope (Right Hand)	

Footnotes:

Handles & Controls (Model CP215013KWV Only)

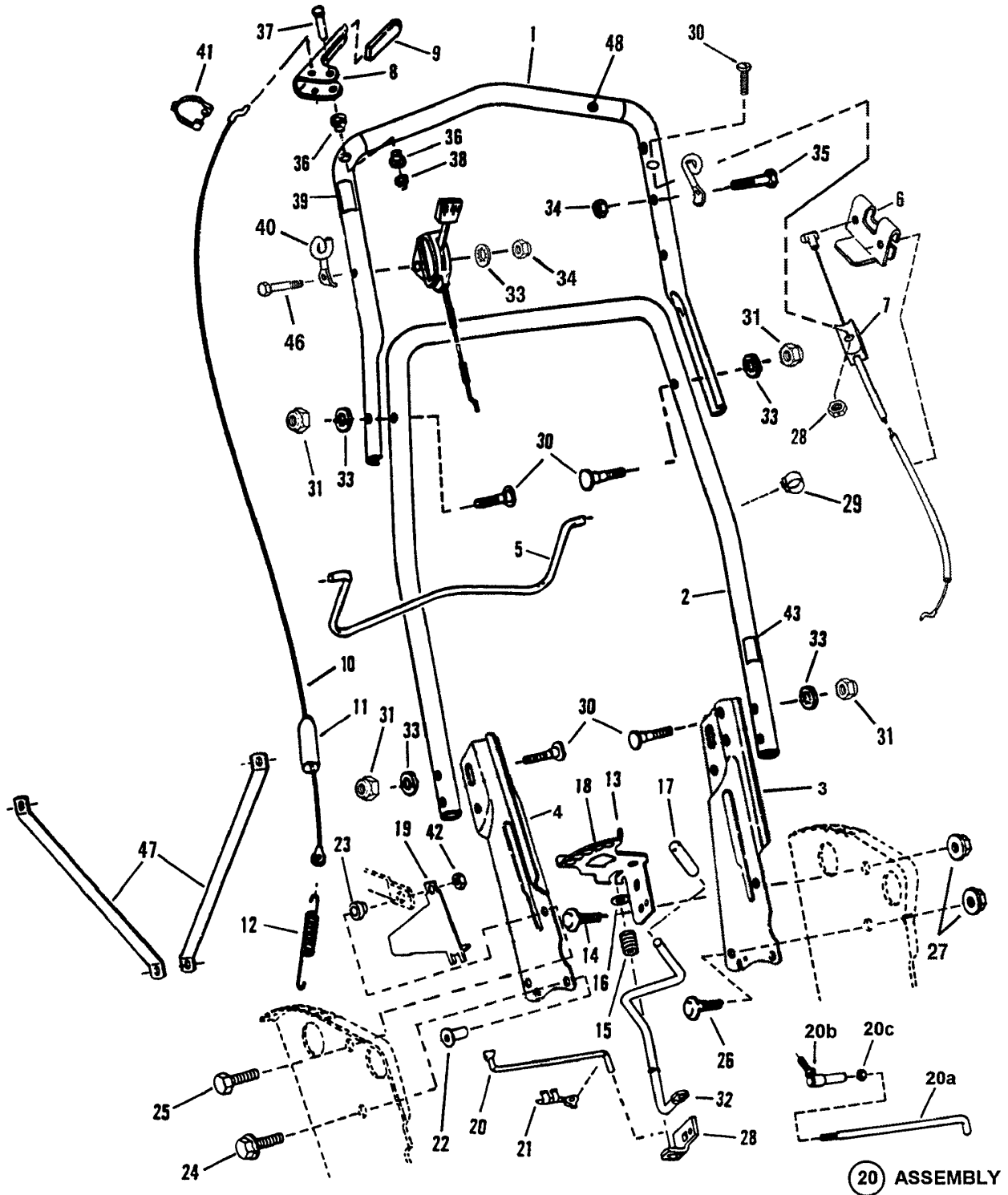


Handles & Controls (Model CP215013KWV Only)

Item	Part No	Qty	Description	Note
1	7074384		HANDLE, Upper	Was 41933
2	7046737		HANDLE, Middle	
3	7033985		HANDLE, Lower Left Hand	
4	7033986		HANDLE, Lower R.H. Adjustable	(See "Throttle Controls" illustration and parts list for hardware)
5	7024978		BAIL, OPC Control	
6	7033904		CLIP, Blade Control	
7	7073444		CABLE, Blade Control	
8	7032826		HANDLE, Wheel Drive	
9	7014307		GRIP, Wheel Drive Handle	
10	7047092		CABLE, Clutch Pull (Z-Bend, 38-5/16" Long)	
11	7012121		COVER, Vinyl	
12	7012122		SPRING, Clutch	
13	7041871		SECTOR, Speed	
14	7091714		BOLT, 5/16 x 1" Round Head Carriage, Grade 5	Was 91238
15	7012093		SPRING, Speed Control	
16	7090188		WASHER, 3/8" Flat	
17	7033801		GRIP, Speed Control Handle	
18	7024087		DECAL, Speed Select	
	7029783		DECAL, Speed Select	
19	7032408		GUIDE, Lower V-Belt	
20	7051698		ASSEMBLY, Transfer Rod	(Incl. indented items below)
20A	7015752		LINK, Transfer	
20B	7015753		BALL JOINT, 1/4-28	
20C	7090095		NUT, 1/4-28 Hex	
21	7010937		CLIP, Transfer Rod	
22	7090895		TEE-NUT, 5/16-18	
23	7012114		BUSHING, Differential	
24	7090595		BOLT, 5/16-18 x 3/4" Flange Lock, Grade 5	
25	7090238		SCREW, 5/16-24 x 1" Hex Cap, Grade 5	
26	7090799		BOLT, 5/16-18 x 5/8" Short Neck Carriage, Grade 5	Was 91026
27	7091601		NUT, 5/16-18 Hex Flange Lock, Grade 5	Was 91070
28	7046202		BRACKET, Speed Control Rod	
29	7024641		TIE, Wire	
30	7091190	4	SCREW, 5/16-18 x 1-1/2 Curved Head, Grade 2	
31	7091511	6	NUT, 5/16-18 Hex	Was 91069
32	7041870		LEVER, Speed Control	

Footnotes:

Handles & Controls (Model CP215013KWV Only)

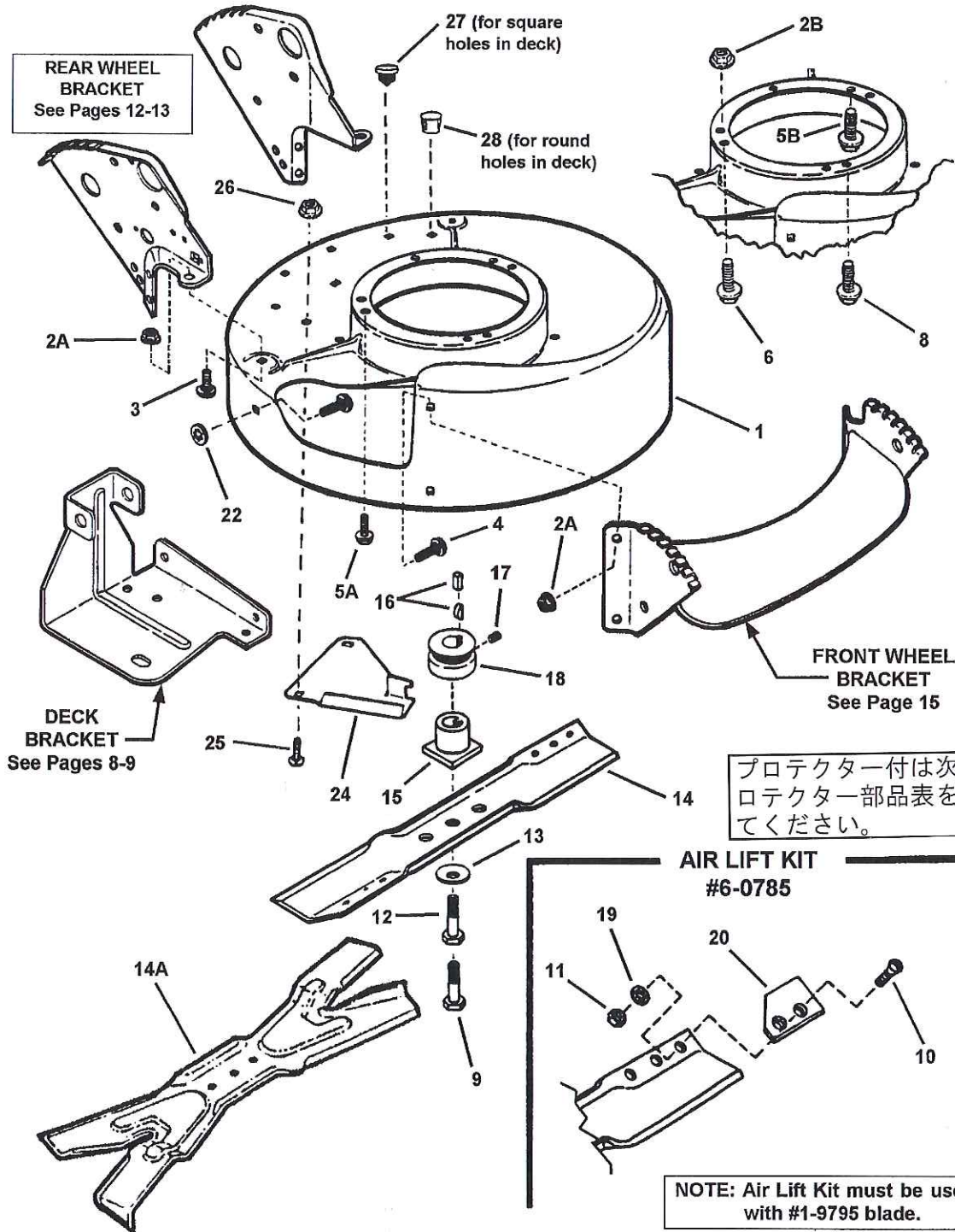


Handles & Controls (Model CP215013KWV Only)

Item	Part No	Qty	Description	Note
33	7090391	4	WASHER, 5/16 Internal Tooth Lock	
34	7091576		NUT, 1/4-20 Hex	<i>Was 91100</i>
35	7090505		SCREW, 1/4-20 x 2" Hex Cap, Grade 5	
36	7014343	2	BUSHING	
37	7023792		PIN, Clutch Handle	
38	7091020		PUSH-NUT, 1/4"	<i>(For handle pin)</i>
39	7024211		DECAL, Blade Control (Right Hand Side)	
40	7046465		GUIDE, Rope	
41	7026219		CLAMP	
42	7091606		NUT, 5/16-24 Hex Center Lock, Grade 5	<i>Was 91074</i>
43	7041942		DECAL, Shift Warning	
	7091576		NUT, 1/4-20 Hex	<i>Was 91100, Not shown</i>
	7091022		WASHER, 1/4" Internal Tooth Locking	<i>Not shown</i>
46	7091813		SCREW, 1/4-20 x 1-3/4 Hex Cap, Grade 5	<i>Was 91222</i>
47	7046707	2	BRACE	<i>(See "Throttle Controls" illustration and parts list for hardware)</i>
48	7075634		FOAM GRIP	<i>Was 73115</i>

Footnotes:

Cutting Deck, Blade



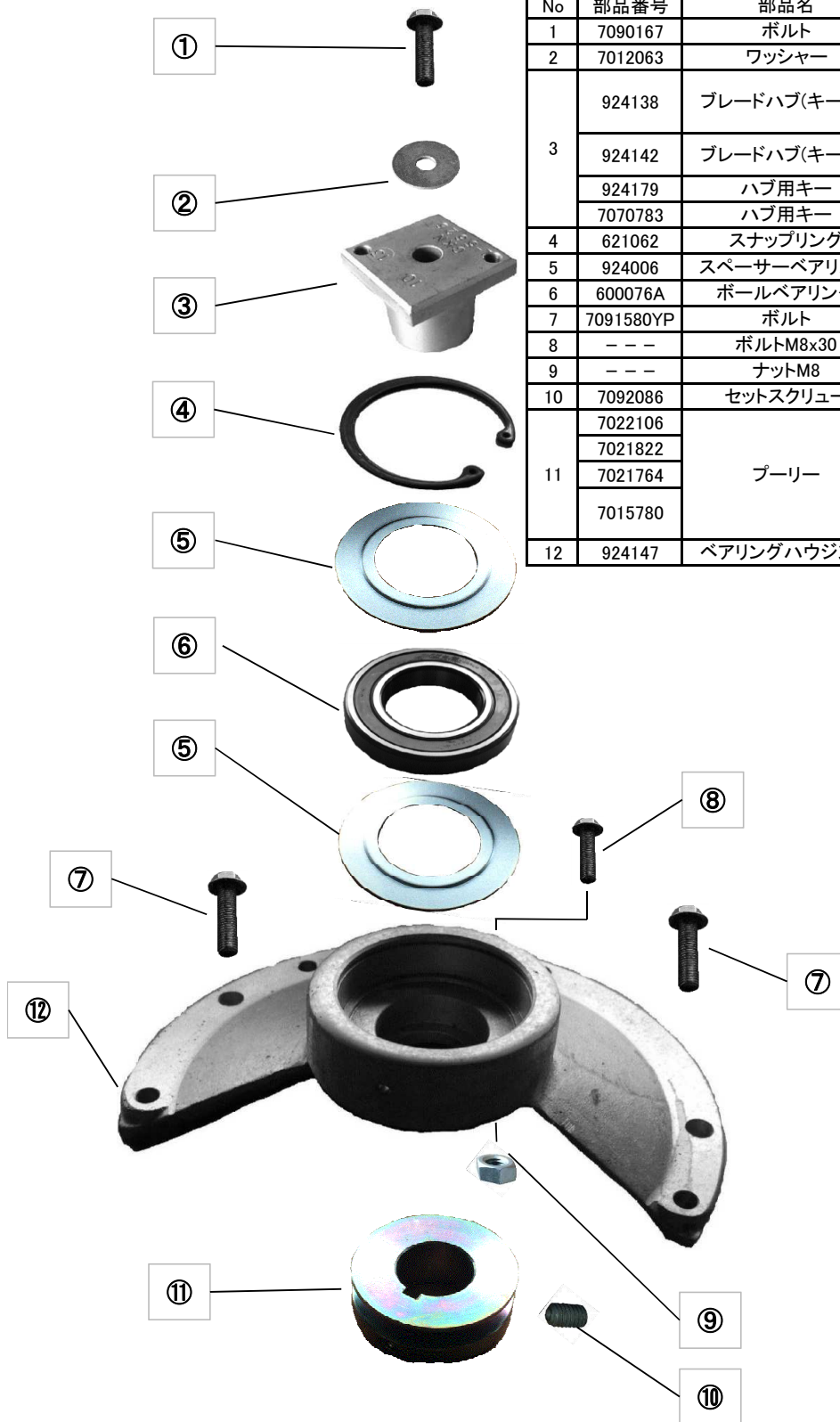
プロテクター付は次項のプロテクター部品表を参照してください。

Cutting Deck, Blade

Item	Part No	Qty	Description	Note
1	7057663		DECK, Mower	(Includes painted deck with decals)
2A	7091601	10	NUT, 5/16-18 Hex Flange Lock, Grade 5	Was 90585
2B	7091601	11	NUT, 5/16-18 Hex Flange Lock, Grade 5	Was 90585 (Robin 4 cycle)
3	7090731	9	BOLT, 5/16-18 x 1/2" Short Neck Carriage, Grade 5	
4	7091169		BOLT, 5/16-18 x 1-1/8" Short Neck Carriage, Grade 5	
5A	7090324	3	SCREW, 3/8-18 x 1" S.-Tap (Engine Mount)	(Kaw, Robin 2 cy)
5B	7090324	1	SCREW, 3/8-18 x 1" Self-Tap (Engine Mount)	(Robin 4 cy)
6	7090700		BOLT, 5/16-18 x 1-1/2" Hex Flange Lock, Grade 5	
8	7090595		BOLT, 5/16-18 x 3/4" Hex Flange Lock, Grade 5	
9	7090483		SCREW, 3/8-24 x 1-3/4" Hex Hd. Cap, Grade 5	(Robin 2 & 4 cy)
10	7090228	4	SCREW, 5/16-24 x 21/32" Machine	
11	7091297	4	NUT, 5/16-24 Hex, Grade 5	Was 90223
12	7090167		SCREW, 3/8-24 x 2" Hex Head Cap, Gr. 5	(Kawasaki)
13	7012063		WASHER, Cone	
14	7019795		BLADE, Cutter (20.75")	
14A	7026407		BLADE, Cutter (20.75") (Quad Edge)	
15	7015626		HUB, Blade Drive 25mm	(Robin)
	7012927		HUB, Blade Drive 7/8"	(Kawasaki)
16	7010783	2	KEY, #505 Hi Pro	(Kawasaki)
	7016755		KEY, 1/4 x 3/4" Square	(Robin)
17	7090201		SCREW, 5/16-18 x 5/16" Hex Socket Set	
18	7022106		PULLEY, Engine	(Robin)
	7021764		PULLEY, Engine	(Kawasaki)
19	7090391	4	WASHER, 5/16 Internal Tooth Lock	
20	7032558	2	LIFT, Air	
22	7011791	2	RETAINER, 5/16 Bolt	
23	7011762		COVER, Spark Plug	(Not Shown)
2078!	7060785		KIT, Air Lift	(Includes Items 10, 11, 19 & 20)
24	7046446		BAFFLE, Belt	
25	7090731		BOLT, 5/16-18 x 1/2" Neck Carriage, Grade 5	
26	7091601		NUT, 5/16-18 Hex Flange Lock, Grade 5	Was 91070
27	7046471		PLUG, 5/16" Square Hole	(Qty 3 on Push)
28	7045264		PLUG, 5/16" Hole	(Qty 3 on Push; qty 2 on Self-propelled)

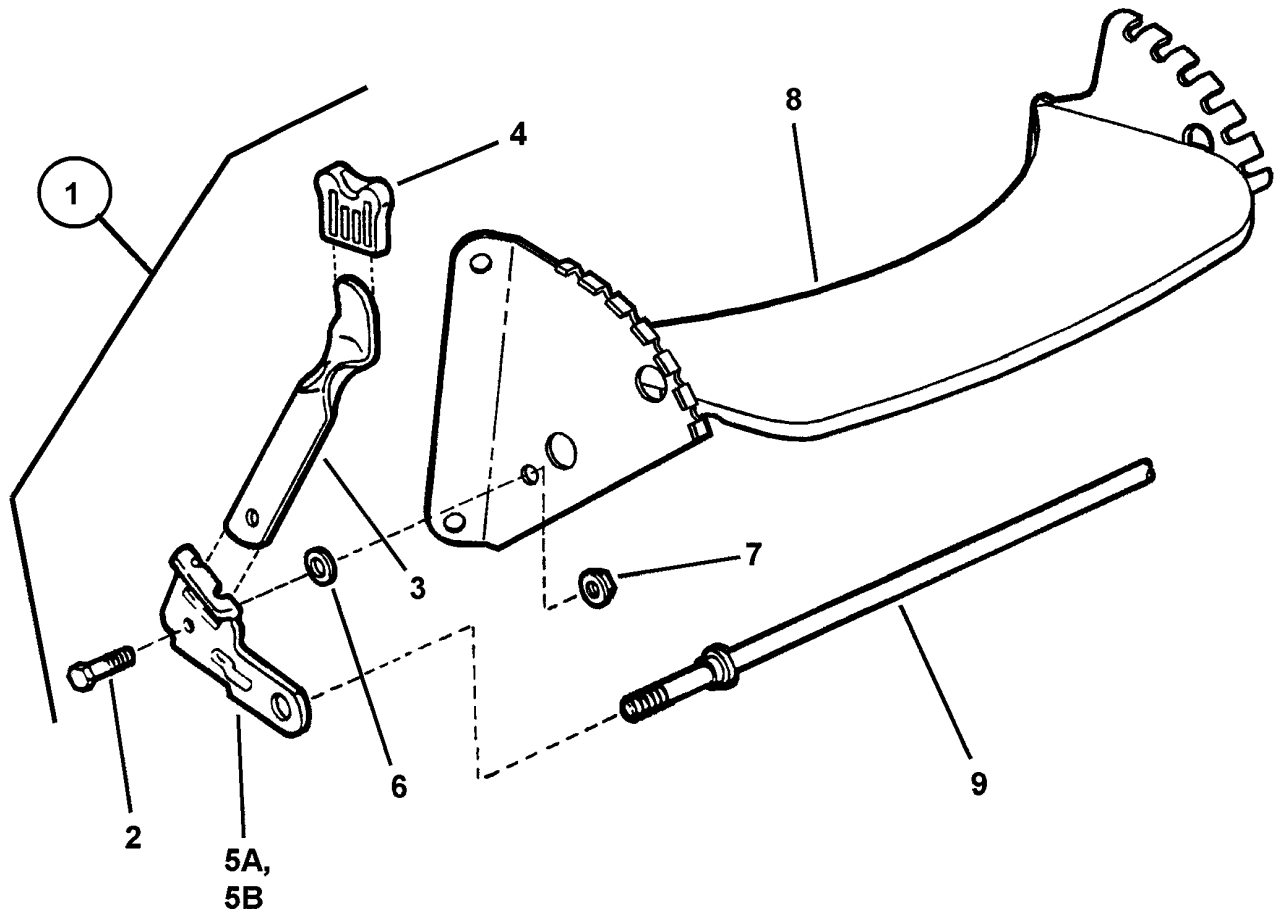
Footnotes:

クランクシャフトプロテクター部品表



No	部品番号	部品名	個数	備考
1	7090167	ボルト	1	
2	7012063	ワッシャー	1	
3	924138	ブレードハブ(キー付)	1	ブリッグス 122Q Kawasaki FJ180V Robin EC13V EH18V
	924142	ブレードハブ(キー無)	1	Honda GXV160 Kawasaki FC150
	924179	ハブ用キー	1	Honda-GXV160用
	7070783	ハブ用キー	1	Kawasaki-FC150用
4	621062	スナップリング	1	
5	924006	スペーサーベアリング	2	
6	600076A	ボールベアリング	1	
7	7091580YP	ボルト	2	
8	---	ボルトM8x30	1	市販品を利用ください。
9	---	ナットM8	1	市販品を利用ください。
10	7092086	セットスクリュー	1	
11	7022106	プーリー	1	ロビン EC13/EH18用
	7021822		1	ホンダ GXV160用
	7021764		1	カワサキ FC150用
	7015780		1	カワサキ FJ180用
	7015780		1	ブリッグス 122Q用
12	924147	ベアリングハウジング	1	

Front Wheel Bracket, Latches

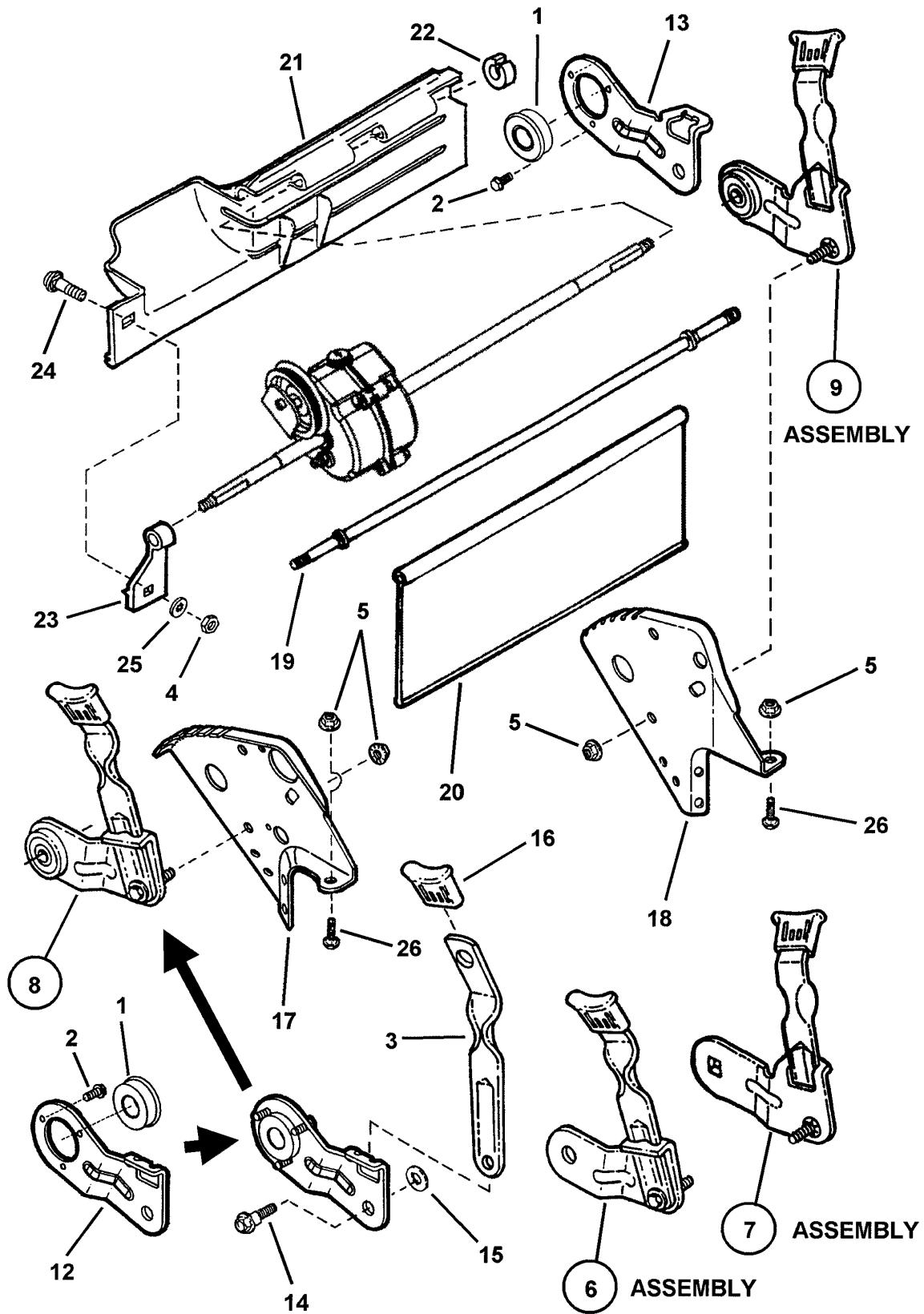


Front Wheel Bracket, Latches

Item	Part No	Qty	Description	Note
1	7051885		ASSEMBLY, Arm Left Wheel	<i>(Consists of Items 2,3,4,5A,6)</i>
	7051886		ASSEMBLY, Arm Right Wheel	<i>(Consists of Items 2,3,4,5B,6)</i>
2	7015761		BOLT, 5/16-18 x 3/4" Shoulder	
3	7012325		LATCH, Height	
4	7027702		GRIP, Latch	
5A	7031016		ARM, Left Wheel	
5B	7031017		ARM, Right Wheel	
6	7011791		RETAINER, 5/16 Bolt	
7	7091601		NUT, 5/16-18 Hex Flange	<i>Was 91070</i>
8	7074702		BRACKET, Front Wheel	<i>Was 41770</i>
9	7021119		AXLE	

Footnotes:

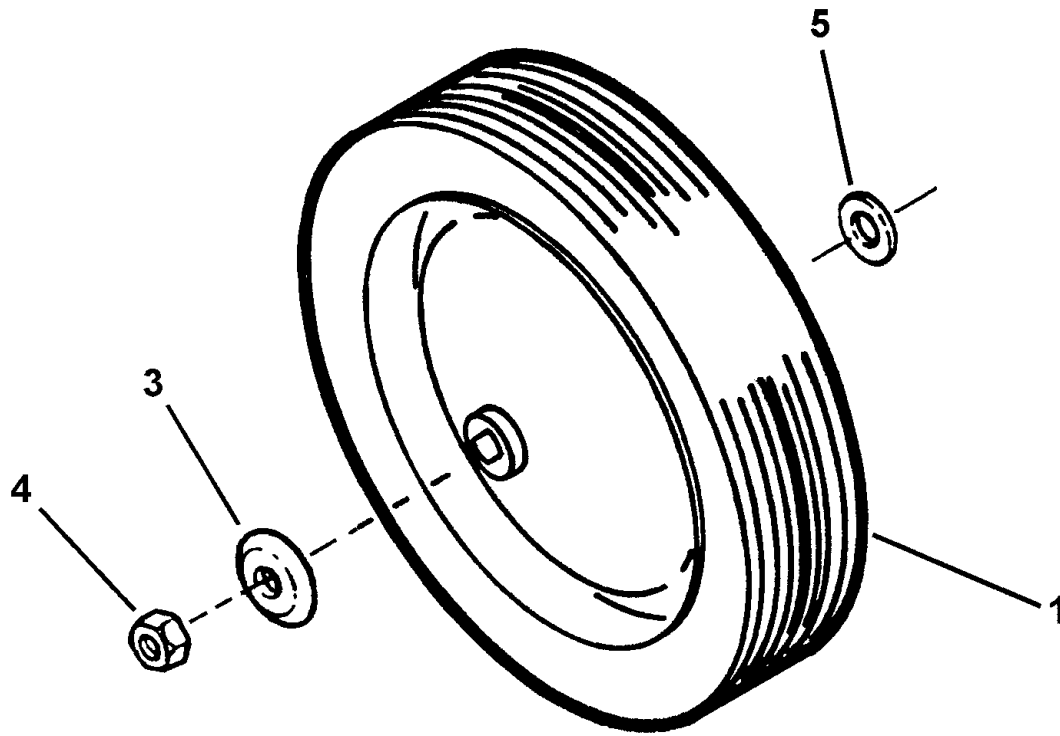
Rear Wheel Brackets, Latches



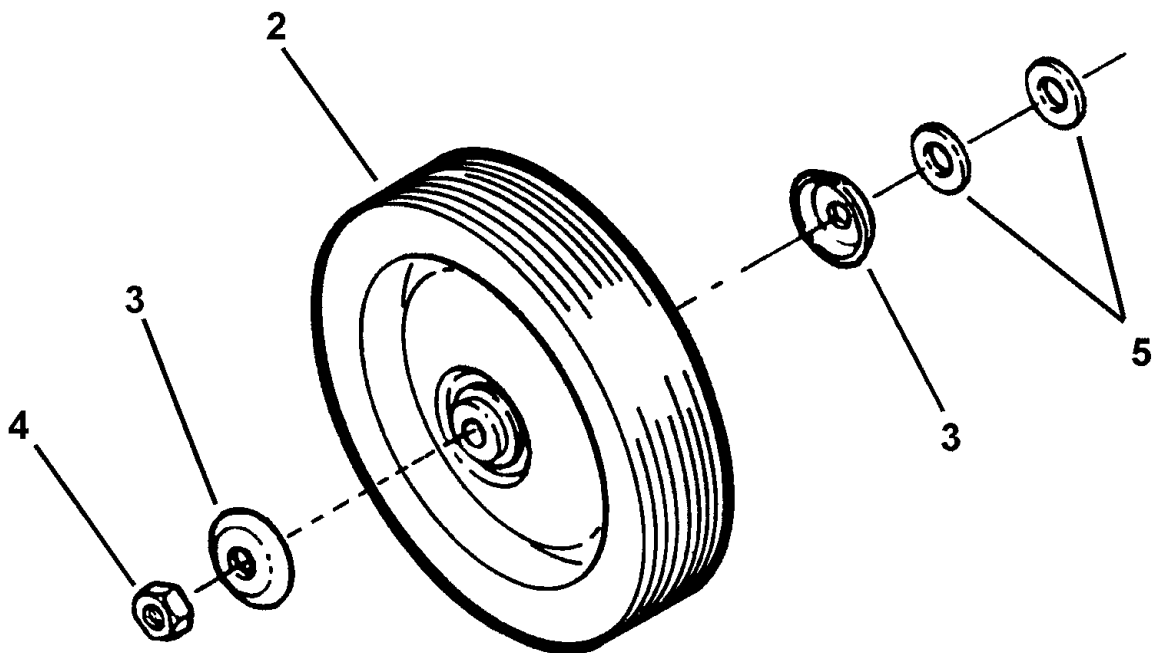
Rear Wheel Brackets, Latches

Item	Part No	Qty	Description	Note
1	7046983		BEARING, 9/16 (Commercial)	Was 18767
2	7091012	3	SCREW, #10-32 x 3/8" Self-Tapping (Torx)	
3	7035717		LATCH, Height Adjusting (Long)	
4	7091576		NUT, 1/4-20 Hex, Grade 5	Was 90063
5	7091601	6	NUT, 5/16-18 Hex Flange Lock, Grade 5	Was 90585
6	7054228		ASSEMBLY, Wheel Arm (Right Rear) (Round Opening)	(Push Models) (Includes Items 3, 10, 14, 15, 16)
7	7054229		ASSEMBLY, Wheel Arm (Left Rear) (Square Opening)	(Push Models) (Includes Items 3, 11, 14, 15, 16)
8	7054246		ASSEMBLY, Wheel Arm (Right Rear)	Was 54224 (Self Propelled Models)(Includes 1, 2, 3, 12, 14, 15, 16)
9	7054247		ASSEMBLY, Wheel Arm (Left Rear)	Was 54225 (Self Propelled Models)(Includes 1, 2, 3, 13, 14, 15, & 16)
10	7033776		ARM, Round Axle End (Round Opening)(Right Rear)(Part of #6)	(Push Models)
11	7033775		ARM, Square Axle End (Square Opening)(Left Rear)(Part of #7)	(Push Models)
12	7032722		ARM, Wheel Right Rear	(Self Propelled Models)
13	7032723		ARM, Wheel Left Rear	(Self Propelled Models)
14	7011078		BOLT, 5/16-18 x 1" Shoulder	
15	7011791		RETAINER, 5/16 Bolt	
16	7027702		GRIP, Latch	
17	7033494		BRACKET, Right Rear Wheel	
18	7033495		BRACKET, Left Rear Wheel	
19	7021119		AXLE	(Rear on Push Models - Also Front on All)
20	7035741		GUARD, Rear Foot	(Push Models)
21	7029008		GUARD, Rear Foot	(Self-Propelled Models)
22	7023791		RING	
23	7012616		SUPPORT, Foot Guard	
24	7091604		BOLT, 1/4-20 x 1/2" Short Neck Carriage, Grade 5	Was 90005
25	7090053		WASHER, 1/4 Internal Tooth Lock	Was 91023
26	7090731		BOLT, 5/16-18 x 1/2" Short Neck Carriage, Grade 5	

Footnotes:



REAR WHEEL



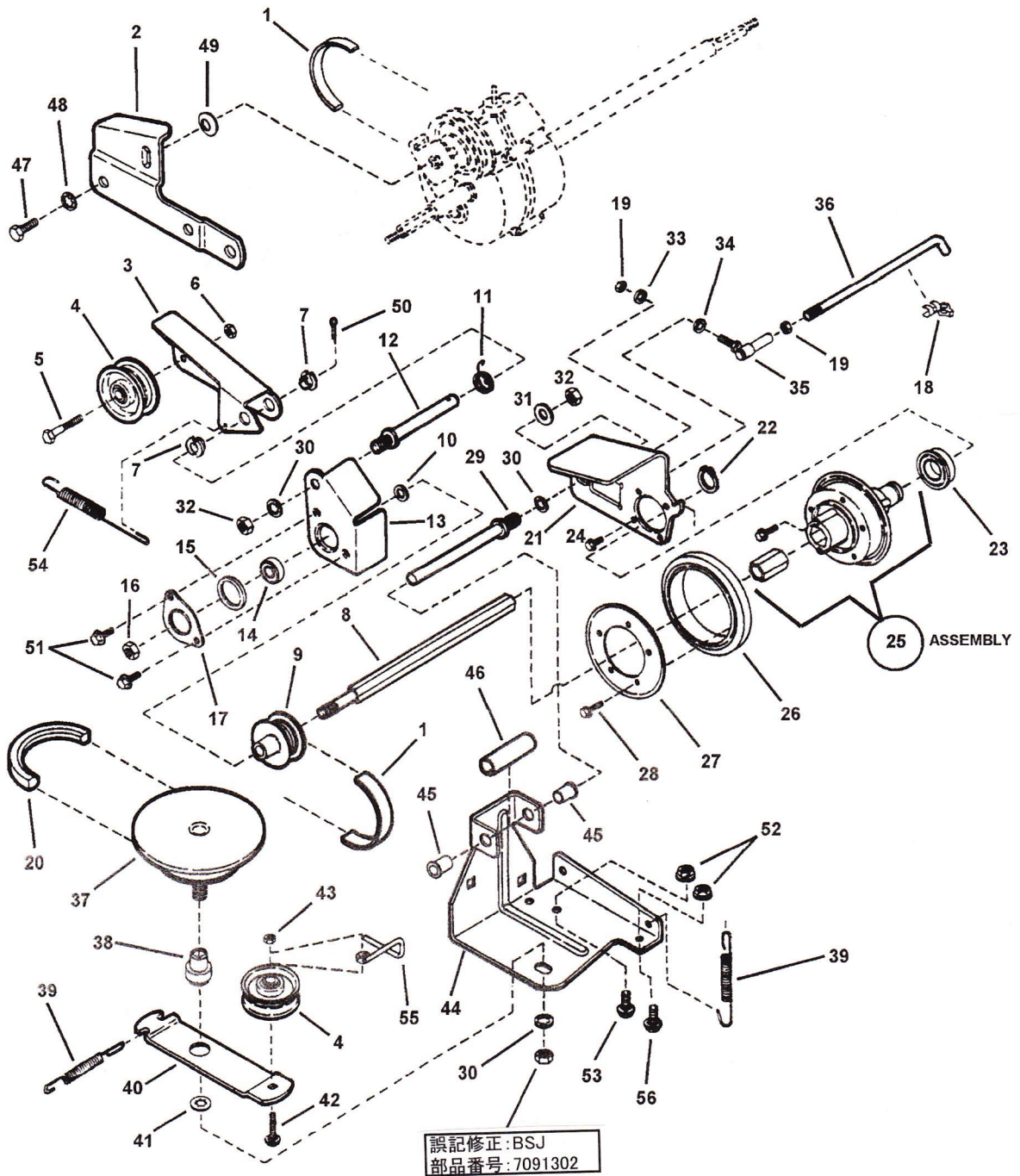
FRONT WHEEL

Front And Rear Wheels

Item	Part No	Qty	Description	Note
1	7035726		WHEEL, Rear 10.0 x 1.75 Diamond Grey	<i>(Self-Propelled Models)</i>
	7046678		WHEEL, Rear 10.0 x 1.75 Diamond Black	<i>(Push Models) (Not shown)</i>
2	7035727		WHEEL, Front 8.0 x 1.75 Diamond Black	
3	7031121	4	HUB-CAP (Front Wheels)	
	7031960	2	HUB CAP (Rear Wheels)	
4	7090377	4	NUT, 7/16-18 Hex Center Lock	
5	7031961	6	WASHER, 7/16 Flat	

Footnotes:

Drive System Self-Propelled

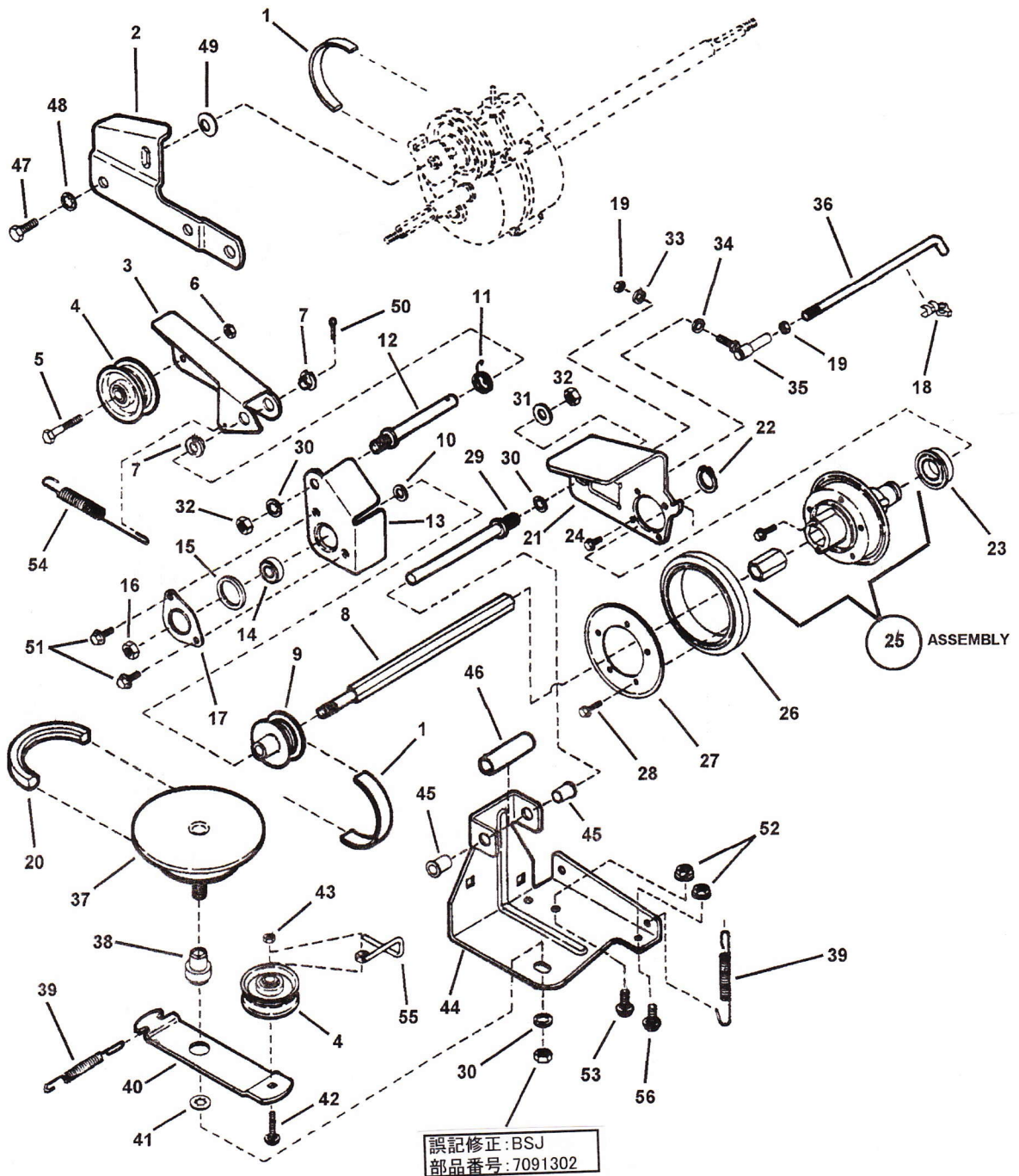


Drive System Self-Propelled

Item	Part No	Qty	Description	Note
1	7012354		BELT, Poly-Vee	
2	7034179		LINK, Differential	
	7051921		ASSEMBLY, Clutch Idler	(Includes items 3 thru 7)
3	7032832		ARM, Clutch Idler	
4	7012124	2	PULLEY, Idler	
5	7091025		SCREW, 1/4-28x1-3/8" Hex Head Cap, Grade 5	
6	7090303		NUT, 1/4-28 Hex Top Lock	
7	7012117	2	BUSHING, 3/8 I.D. Nylon	
8	7072284		SHAFT, Hex	Was 23744
9	7019383		PULLEY, Poly-Vee	
10	7012316		WASHER, 3/8" Flat	
11	7012126		SPRING, Torsion	
12	7012111		STUD (3/8-24 thread)	
13	7031873		HOLDER, Bearing (Inner Half)	
14	7028014		BEARING, Ball	
15	7011025		O-RING	
16	7090289		NUT, 3/8-24 Hex Center Lock, Grade 5	
17	7031809		HOLDER, Bearing (Outer Half)	
18	7010937		CLIP, 1/4 Right Arc (Transfer Rod)	
19	7090095		NUT, 1/4-28 Hex, Grade 5	
20	7012353		BELT, Engine Drive	
	7046784		BELT, Engine Drive	(CP215013KVV Only)
	7053225		ASSEMBLY, Driven Disc	(Includes items 21 thru 28)
21	7035477		PLATE, Thrust	
22	7010746		RING, 3/4" External Retaining	
23	7029027		BEARING, Ball	
24	7090981	4	SCREW, #10-32x1/4" Self-Tapping Machine	
25	7061276		ASSEMBLY, Hub (Includes 7011108 Bushing & 7090913 Screws)	Was 53217
26	7023364		RING, Driven	
27	7031013		PLATE, Ring Retaining	
28	7090913	5	SCREW, #10-24 x 1/2" Hex Washer Self-Tap (Torx)	
29	7012125		GUIDE, Thrust Plate (3/8-24 thread)	
30	7090390	3	WASHER, 3/8" Internal Tooth Lock	
31	7090122		WASHER, 3/8" Flat	
32	7091630	2	NUT, 3/8-24 Hex, Grade B	Was 90155
33	7091294		WASHER, 1/4" Flat	Was 90055
34	7090053		WASHER, 1/4" Internal Tooth Lock	

Footnotes:

Drive System Self-Propelled

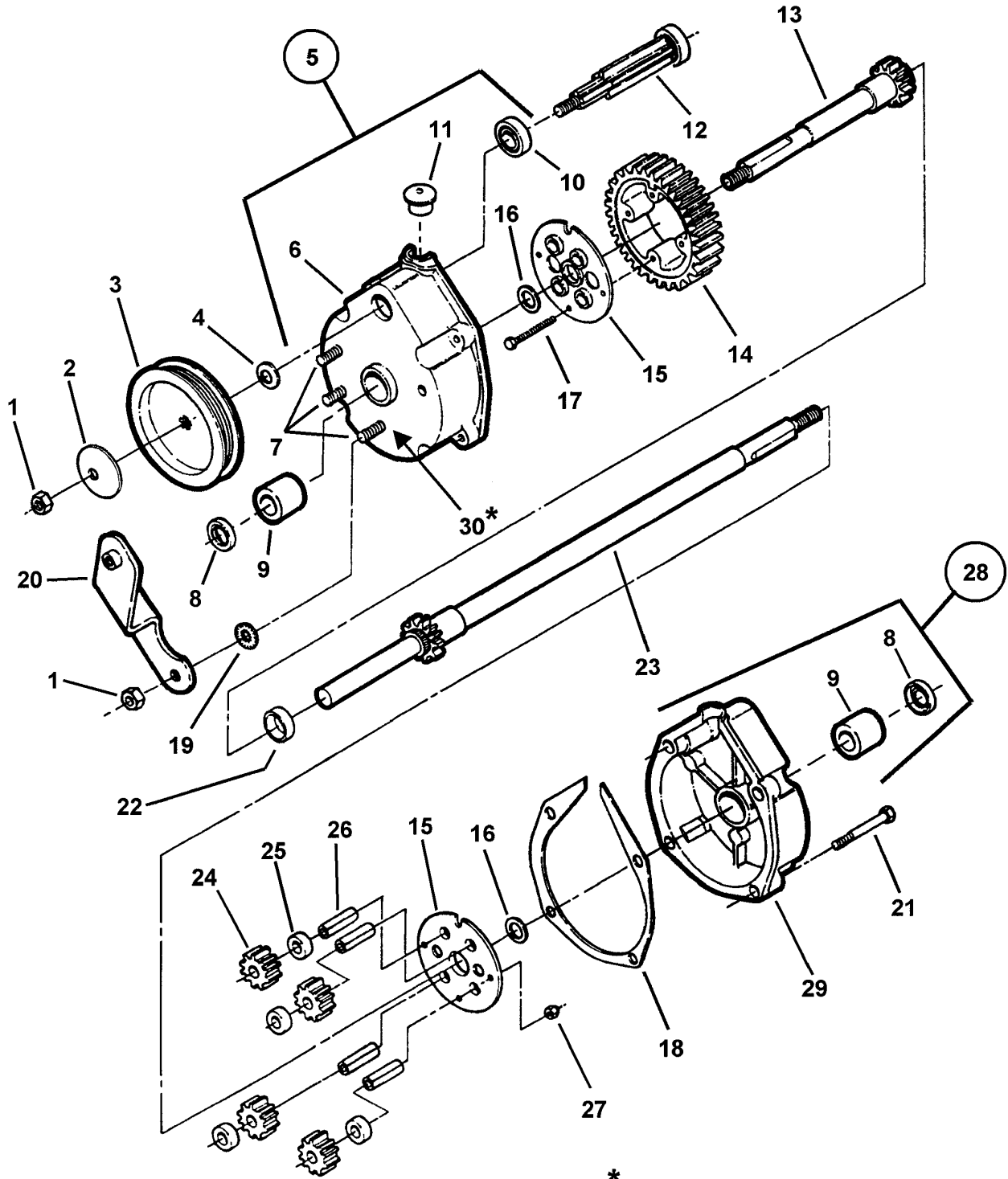


Drive System Self-Propelled

Item	Part No	Qty	Description	Note
35	7015753		JOINT, Ball	
36	7015752		LINK, Transfer	
37	7061275		KIT, Drive Disc Assembly	
38	7017696		BUSHING	
39	7029025	2	SPRING (Wheel Drive & Idler)	
40	7032116		ARM, Idler	
41	7013847		RETAINER, 3/8" Bolt	
42	7090947		BOLT, 1/4-20x1-3/8" Carriage, Grade 5	
43	7090372		NUT, 1/4-20 Hex Center Lock, Grade 5	
	7052987		ASSEMBLY, Deck Bracket	(Includes items 44 thru 46)
44	7033774		BRACKET, Deck	
45	7012306	2	BUSHING, Flange	
46	7021758		SPACER	
47	7090534		SCREW, 5/16-18x1/2" Hex Head Cap, Grade 5	
48	7090391		WASHER, 5/16" Internal Tooth Lock	
49	7011724		WASHER, 7/16" Curved	
50	7091597		PIN, 3/32x1/2" Cotter	Was 90555
51	7091122		SCREW, 1/4-20x1/2" Self-Tapping	Was 90539
52	7091601	2	NUT, 5/16-18 Hex Flange Lock, Grade 5	Was 91070
53	7090731		BOLT, 5/16-18 x 1/2" Short Neck Carriage, Grade 5	
54	7012122		SPRING, Clutch	
55	7016380		SCRAPER, Drive Pulley	
56	7090799		BOLT, 5/16-18 X 5/8" Short Neck Carriage, Grade 5	Was 91026

Footnotes:

Transmission (Differential)

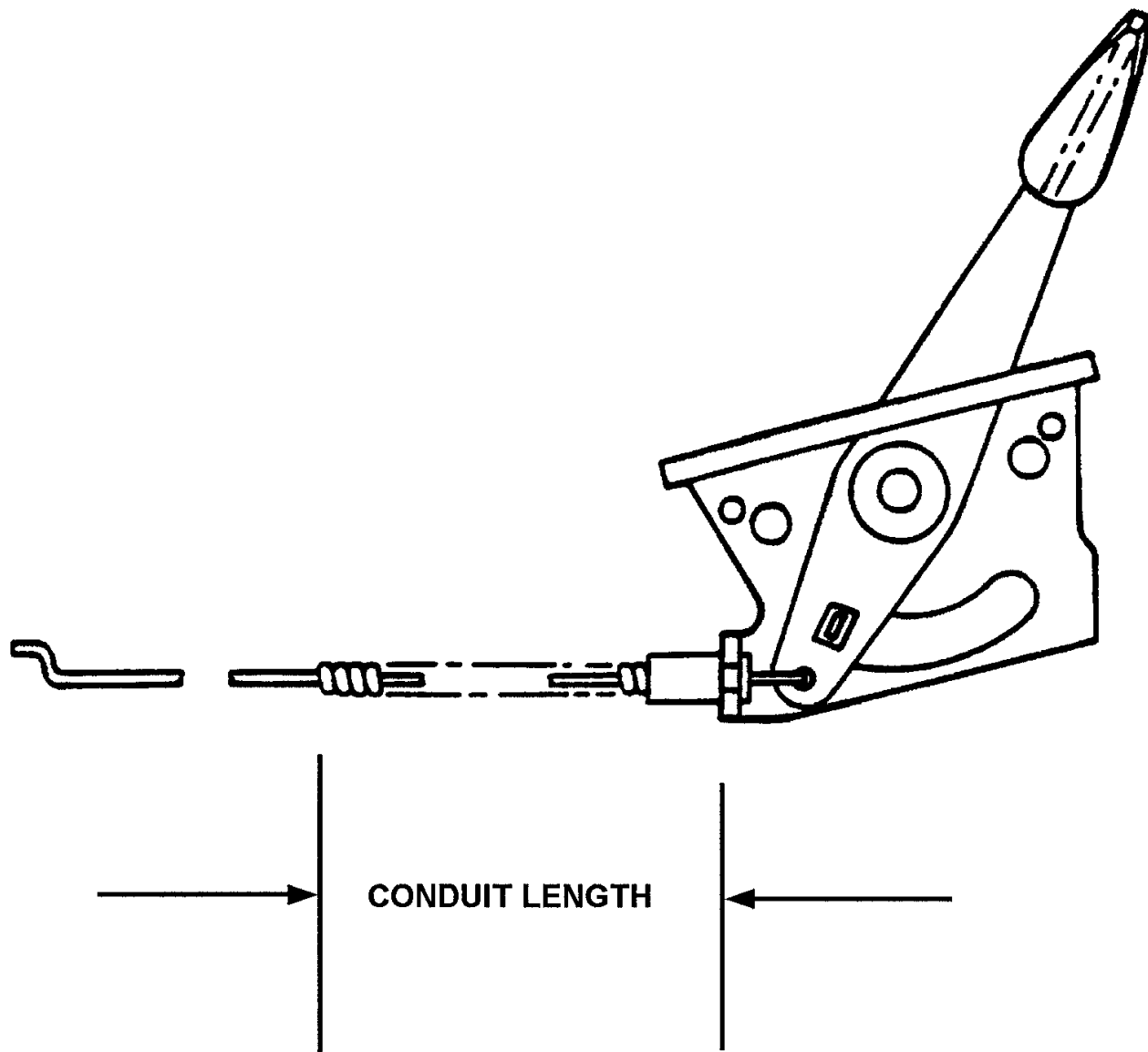


* UNDER HEAD OF SCREW, ITEM 7

Transmission (Differential)

Item	Part No	Qty	Description	Note
	7053943		ASSEMBLY, Transmission	(Includes items 1 thru 30)
1	7092062	4	NUT, 5/16-24 Hex Lock, Grade C	
2	92963		WASHER, 5/16" I.D. Cone	
3	7019213		PULLEY, Poly-Vee Belt	
4	7091720		WASHER, Spring	
5	7053941		ASSEMBLY, Housing Right	(Includes items 6 thru 10)
6	7029034		HOUSING, Right Side	
7	7014155	3	SCREW, 5/16-24 x 1-1/8" Rib Neck, Grade 5	
8	7012314	2	SEAL, 5/8 I.D.	
9	7029035	2	BEARING, Differential	
10	7073963		BEARING, Ball	
11	7016544		PLUG, Housing	
12	7050767		GEAR, Input	
13	7050830		AXLE, Short	
14	7012495		GEAR, Differential (46 Tooth)	
15	7031970	2	PLATE	
16	7031965	2	WASHER, Thrust	
17	7090557	4	SCREW, #10-32 x 1-1/2" Hex Head Cap	
18	7011774		GASKET, Housing	
19	7090189	3	WASHER, 5/16 Internal/External Tooth Lock	
20	7051903		BRACKET, Differential	
21	7091825	4	SCREW, 1/4-20 x 1" Self-Tapping	Was 92064
22	7012543		SPACER, Axle Gear	
23	7050831		AXLE, Long	
24	7021115	4	GEAR, Pinion (12 Tooth)	
25	7012500	4	SPACER, Pinion Gear	
26	7011110	4	SHAFT, Pinion	
27	7090376	4	NUT, #10-32 Hex Nyloc	
28	7053938		ASSEMBLY, Housing Left	(Includes items 8, 9 & 29)
29	7029033		HOUSING, Left Side	
30	7024442		GASKET, 5/8" O.D.	
	7060337		KIT, Transmission Gear	(Includes Items 14 thru 17 & 22 & 24 Thru 27)

Footnotes:



Throttle Controls

Item	Part No	Qty	Description	Note
	7035854		ENGINE/MODEL: ROBIN, CYCLE (2 and 4), CONDUIT LENGTH 49"	
	7026467		ENGINE/MODEL: KAWASAKI, CYCLE (4), CONDUIT LENGTH 49"	
	7041965		ENGINE/MODEL: KAWASAKI, CYCLE (4), CONDUIT LENGTH 43.4"	

Footnotes:

No
Diagram
Available

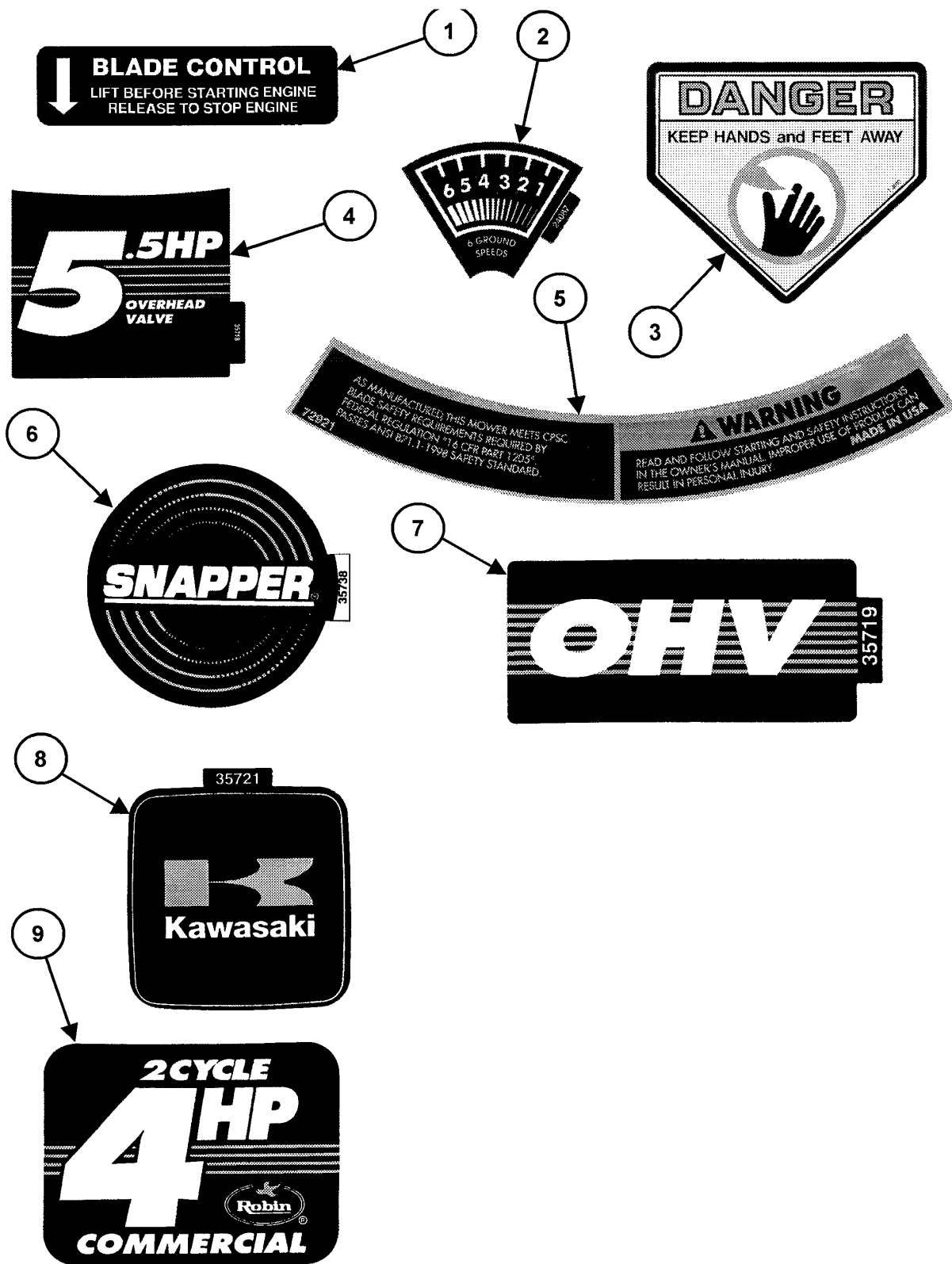
Parts List
Only

Engine Specification

Item	Part No	Qty	Description	Note
			ENGINE, Robin 4 HP 2 Cycle Mod. EC13V	
			ENGINE, Robin 6.5 HP 4 Cycle Mod. EH18V	
			ENGINE, Kawasaki 5.5 HP Mod. FC150V-GS11	
			ENGINE, Kawasaki 5.5 HP Mod. FC150V-ES21	

Footnotes:

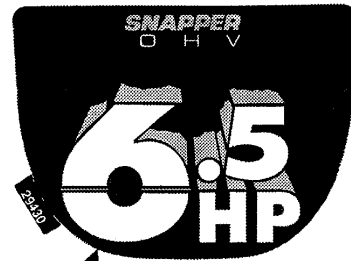
Decals (Part 1)



Decals (Part 1)

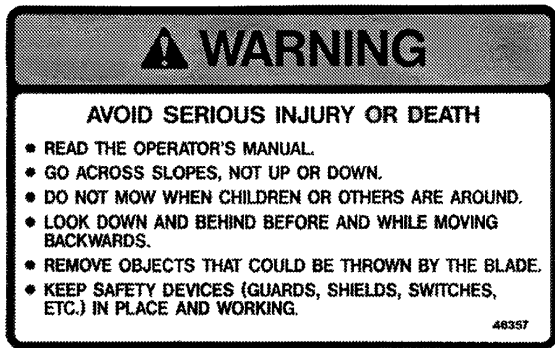
Item	Part No	Qty	Description	Note
1	7024211		DECAL, Blade Control	
2	7024087		DECAL, Speed Sector	
3	7013010		DECAL, Danger	
4	7035718		DECAL, 5 HP Overhead Valve (Black & Gold)	
5	7072921		DECAL, Warning Deck	
6	7035738		DECAL, Snapper (3.38 Dia.) (Black & Gold)	
7	7035719		DECAL, OHV (Overhead Valve) (Black & Gold)	
8	7035721		DECAL, Kawasaki (Black & Gold)	
9	7035737		DECAL, 4 HP - 2 Cycle (Black & Gold)	

Footnotes:



10

11



12

14



15

13

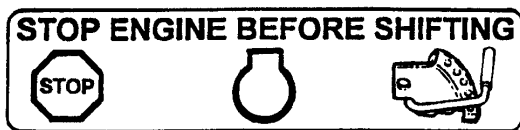


17

This Product may be covered by one or more of the following patents:

4,189,903	4,248,034	4,164,112
4,430,848	4,498,562	4,756,146
4,920,733	4,936,886	4,984,479
4,989,400	5,042,241	5,066,146
5,146,735	5,196,308	5,199,251
5,297,379	5,303,534	5,353,578
5,353,581	5,488,818	5,511,367
5,526,635	D358,400	5,601,512

Other Patents Pending. 29470



16

Decals (Part 2)

Item	Part No	Qty	Description	Note
10	7035722		DECAL, Hi-Vac/Commercial	
11	7029430		DECAL, 6.5 Engine	
12	7046357		DECAL, Warning	
13	7026384		DECAL, Recycling Mulcher (Ninja)	
14	7046720		DECAL, Chute	
15	7073335		DECAL, OPEI	
16	7041942		DECAL, Shifter	
17	7029470		DECAL, Patent	

Footnotes:

WARNING

READ OWNER'S MANUAL BEFORE USING. USE ONLY WITH COLLECTOR BAG IN PLACE. SAFETY RODS MUST BE IN PLACE WHILE OPERATING.

TO ADJUST:

- 1. PLACE MOWER AND THATCHERIZER ON FLAT SURFACE (I.E. DRIVEWAY, SIDEWALK).
- 2. LOOSEN HEX LOCKNUTS ON MOUNTING BRACKETS; ALSO GAUGE WHEEL SETSCREW.
- 3. ADJUST TINE TRAY TO PLACE TINE TIPS APPROXIMATELY 1/2" ABOVE FLAT SURFACE WHEN IN FREE POSITION AND TO TOUCH
- 4. TIGHTEN HEX LOCKNUTS AND SETSCREW.

FLAT SURFACE WHEN MANUALLY PUSHED BACK.

1-4115

16

Thatcherizer®

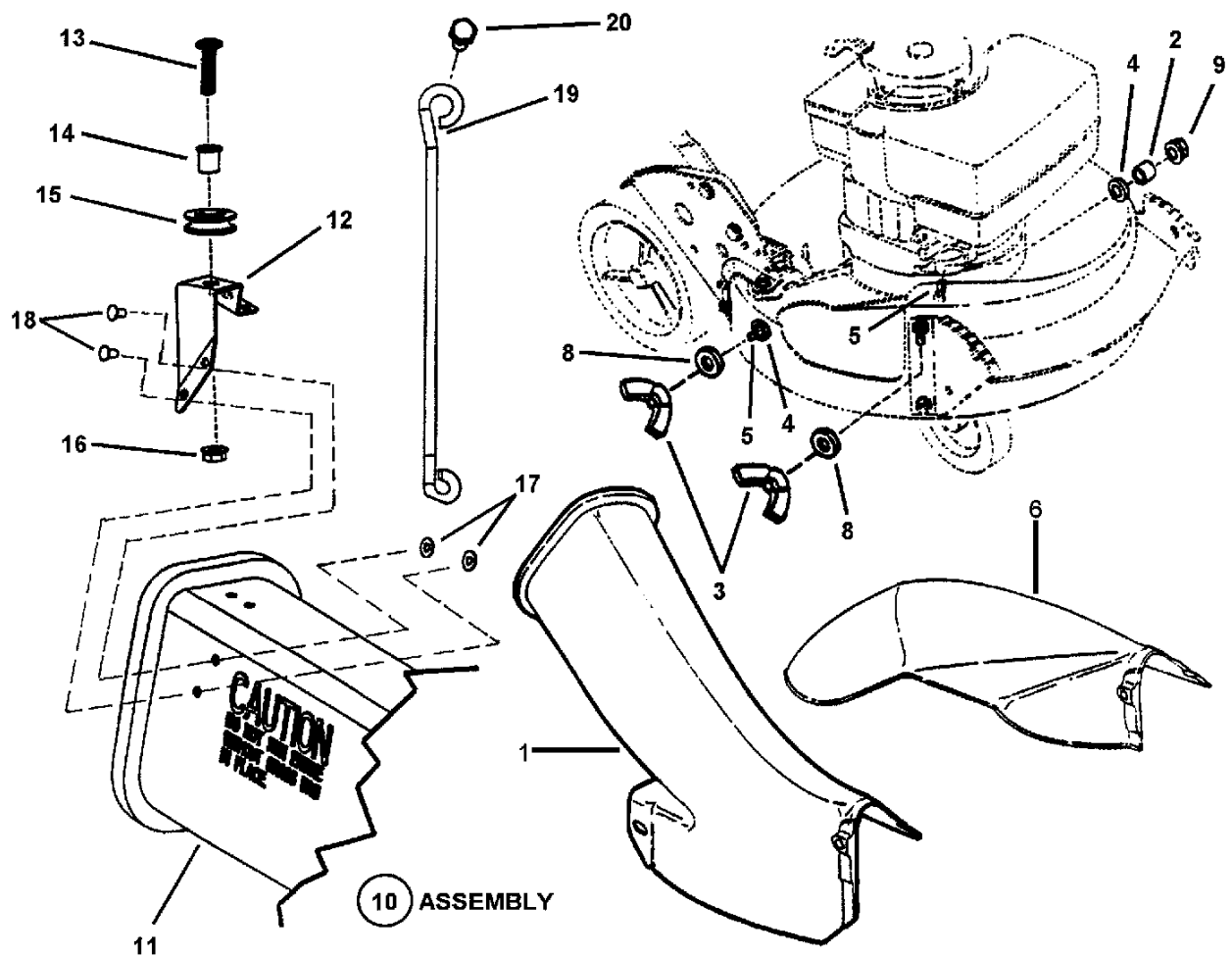
SNAPPER, INC.
McDonough, Georgia
COVERED BY U.S. PATENT 4,317,327

17

Decals (Part 3)

Item	Part No	Qty	Description	Note
16	7014115		DECAL, Warning Thatcherizer	
17	7014062		DECAL, Thatcherizer	

Footnotes:

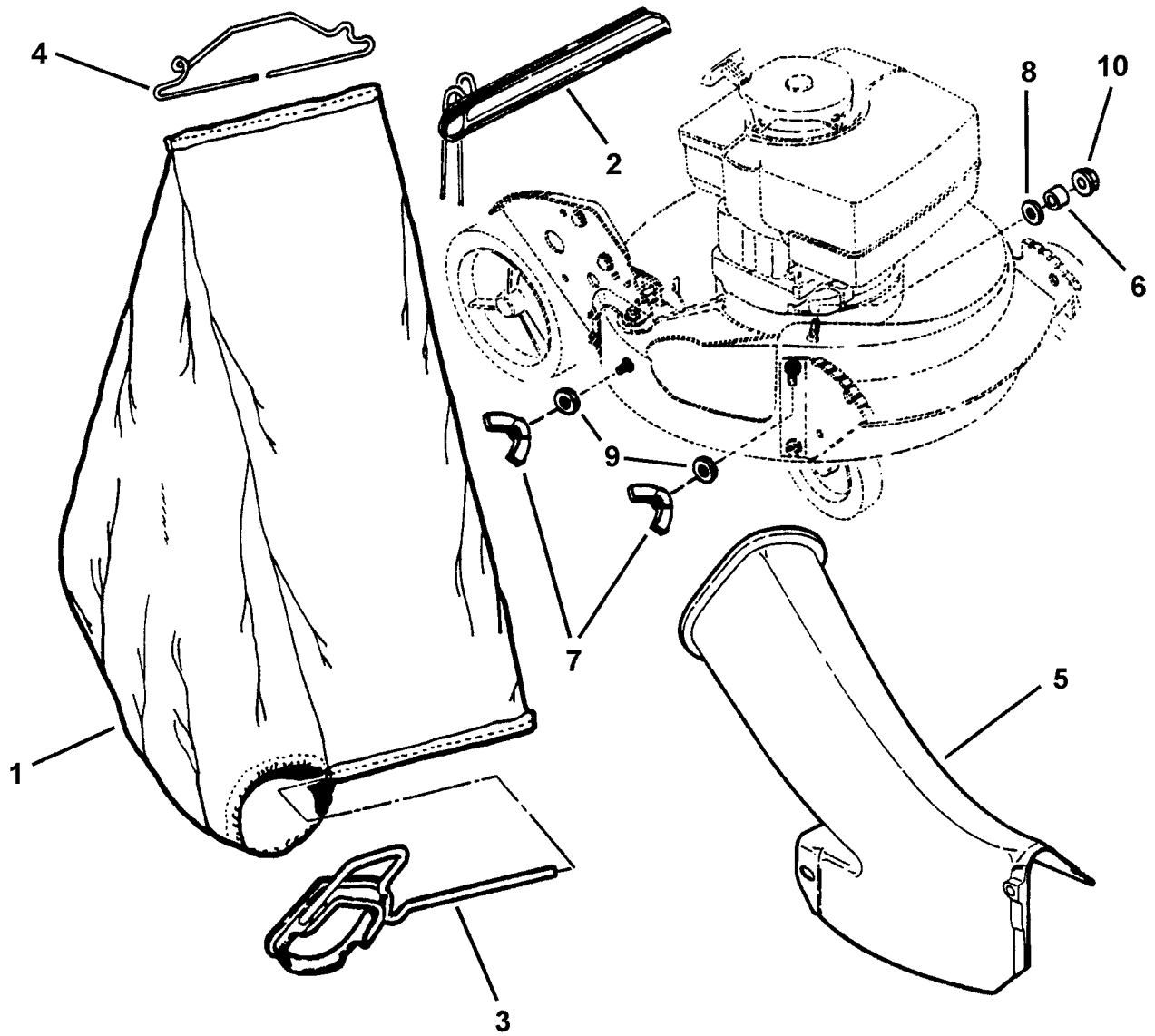


Adapter, Brackets

Item	Part No	Qty	Description	Note
1	7016050		ADAPTER, Grass Bag	
2	7024340		SPACER	
3	7024085	2	NUT, 5/16-18 Wing (Nylon Patch)	
4	7011791	2	RETAINER, 5/16 Bolt	
5	7091508	2	BOLT, 5/16-18 x 3/4" Short Neck Carriage, Grade 5	Was 90001
6	7042965		KIT, Side Chute	10 per box of item 16
7	7042965		CHUTE, Side	
8	7091076	2	WASHER, 5/16 Flat	
9	7090951		NUT, 5/16-18 Hex Large Flange Center Lock	
10	7058037		ASSEMBLY, Bag Adapter	(Includes items 11 thru 18)
11	7047081		ADAPTER, Bag	
12	7047082		BRACKET, Rope Pulley	
13	7091984		SCREW, 5/16 - 18 x 1-1/4" Pan Head Machine	
14	7012306		BUSHING, Flange	
15	7024228		PULLEY, Plastic	
16	7091601		NUT, 5/16 - 18 Hex Flange Lock, Grade 5	Was 91070
17	7072107	4	WASHER, 15/32"	
18	7013860	4	RIVET, 3/16 x .344	
19	7047101		BRACE, Bag Adapter	
20	7091835		BOLT, M6 1.0 x 12mm Hex Head Cap	

Footnotes:

Grass Bag (Accessory)

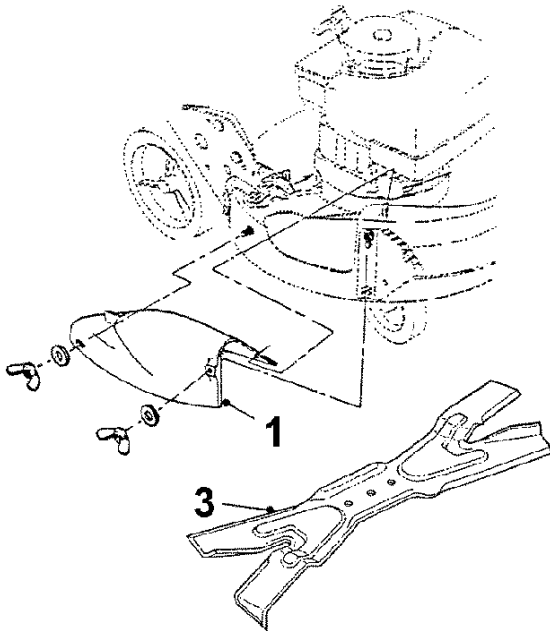


Grass Bag (Accessory)

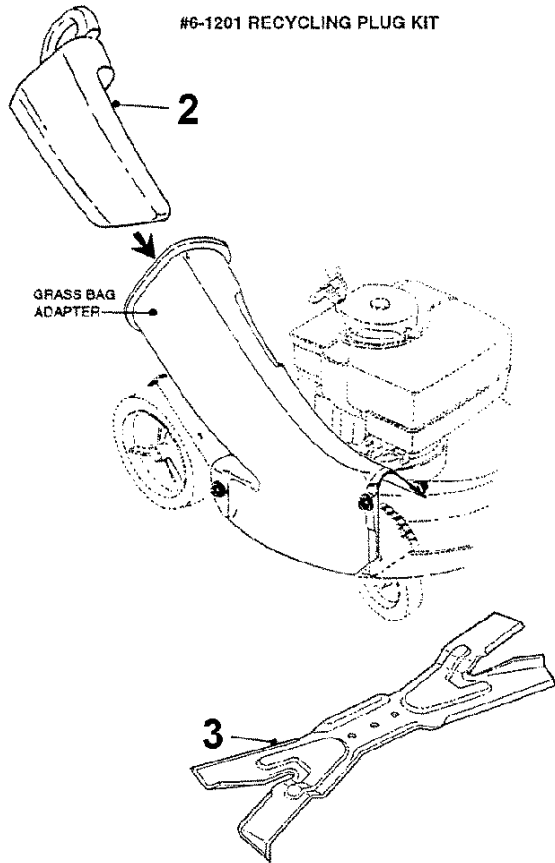
Item	Part No	Qty	Description	Note
	7060936		KIT, Grass Catcher	<i>(Includes Items 1, 2, 3, 4) (Series 13 Models)</i>
	7061239		KIT, Grass Catcher	<i>(Includes Items 1A, 2, 3, 4A) (Series 12 Models)</i>
1	7074426		BAG, Grass Slider (Black/Gold) (10.75" Wide)	<i>Was 23774 (Series 13 Models)</i>
1	7074426		BAG, Grass Slider (Black/Gold) (11.25" Wide)	<i>Was 72104 (Series 12 Models)</i>
2	7050711		ASSEMBLY, Slider	
3	7042489		CONNECTOR, Grass Bag	
4	7019247		WIRE, Bag Connector (12" Wide)	<i>(Series 13 Models)</i>
4	7026313		WIRE, Bag Connector (14" Wide)	<i>(Series 12 Models)</i>
5	7058037		ADAPTER, Bag	
6	7024340		SPACER	
7	7024085		NUT, 5/16-18 Wing (Nylon Patch)	
8	7011791		RETAINER, 5/16 Bolt	
9	7091076		WASHER, 5/16 Flat	
10	7090951		NUT, 5/16-18 Hex Flange Center Lock	

Footnotes:

#6-1200 RECYCLING COVER KIT



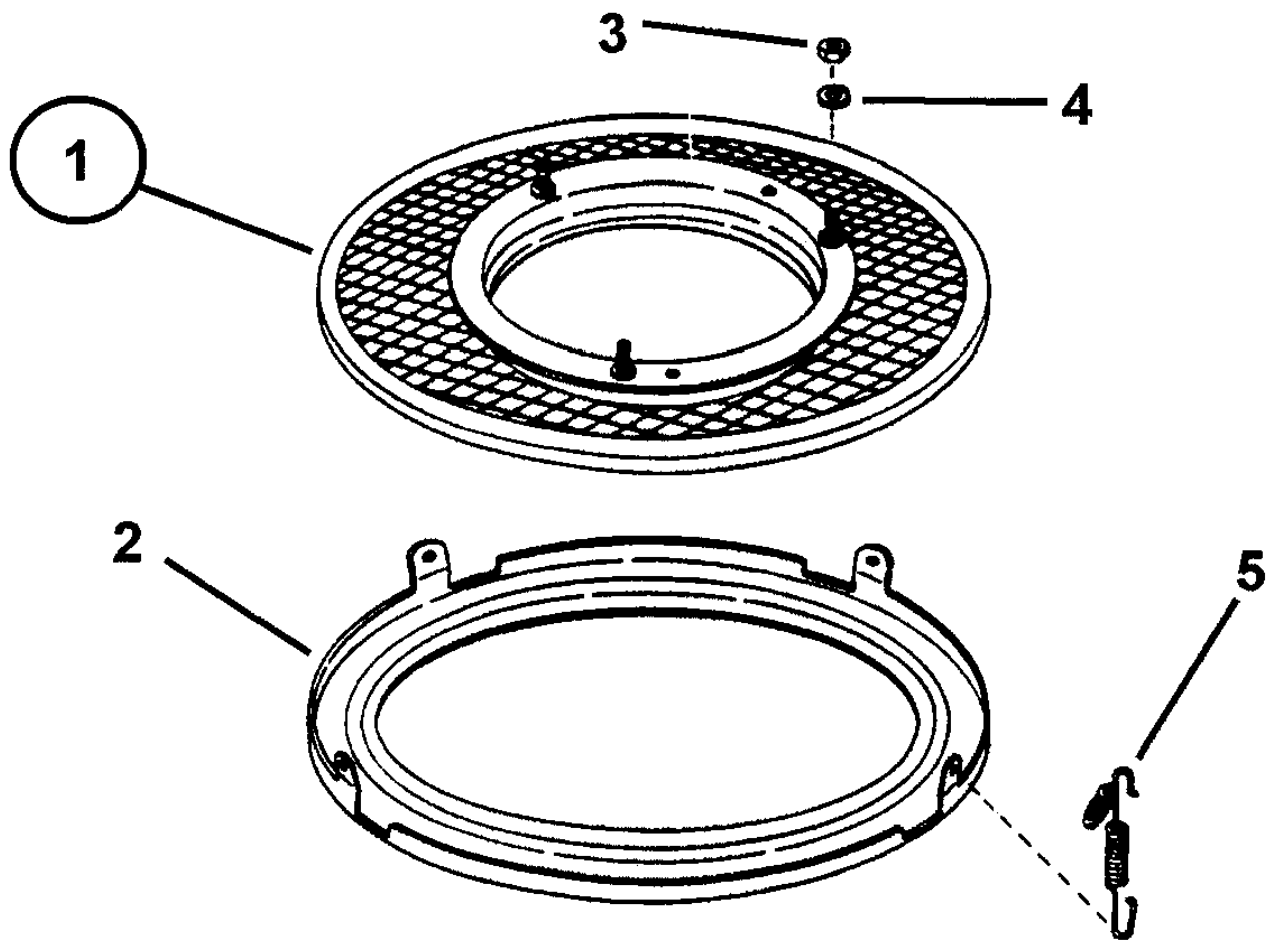
#6-1201 RECYCLING PLUG KIT



Recycling Kits

Item	Part No	Qty	Description	Note
	7061200		KIT, Recycling Cover (Quad Blade)	<i>(Includes Items Below)</i>
	7061201		KIT, Recycling Plug (Quad Blade)	<i>(Includes Items Below)</i>
1	7029149		COVER, Deck	
2	7016814		PLUG, Chute Adapter	
3	7026407		BLADE, 21" Quad Edge	

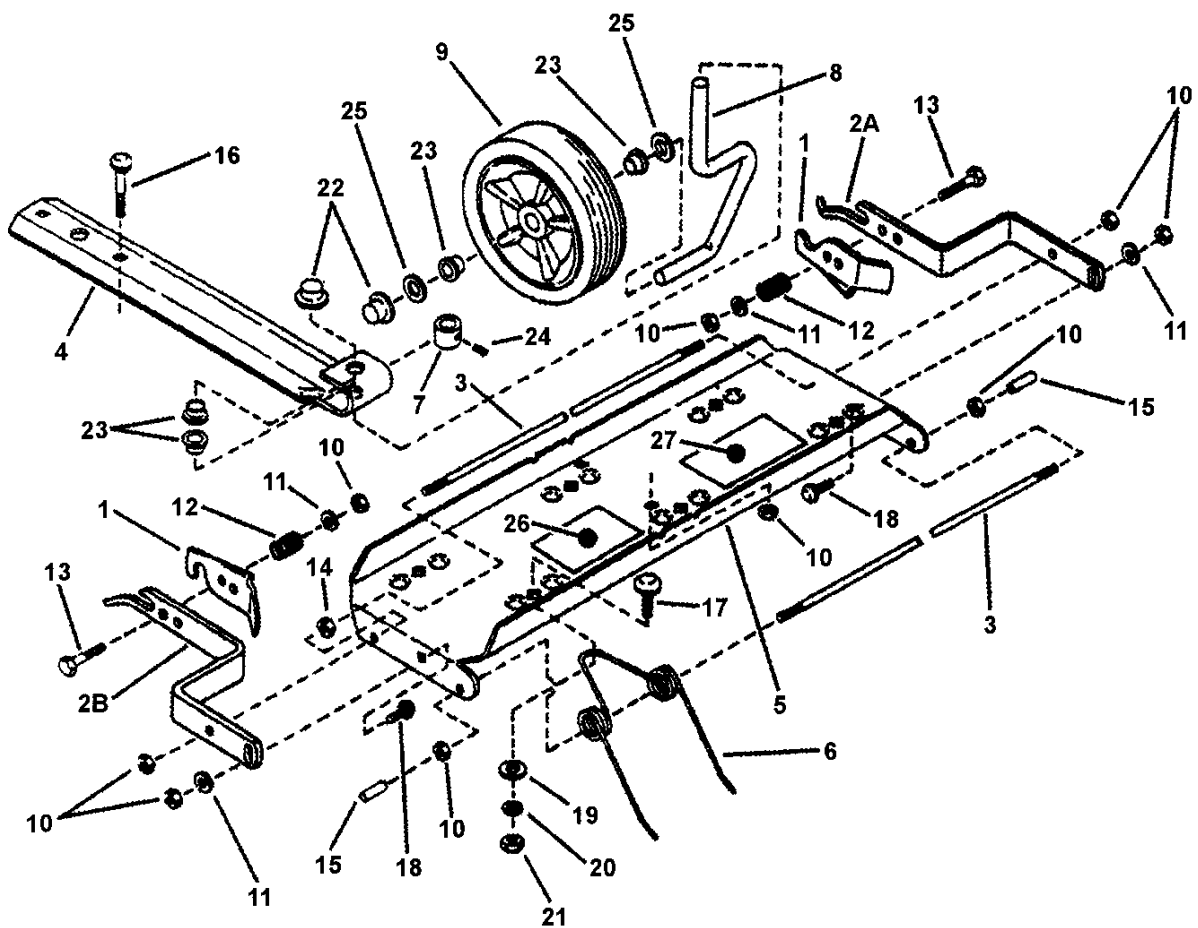
Footnotes:



Snapperizer (Accessory)

Item	Part No	Qty	Description	Note
	7060440		KIT, Snapperizer	<i>(Includes Items 1 Thru 5)</i>
1	7051243		SCREEN, Fastener Assembly	
2	7039759		RING, Bottom	
3	7091297	2	NUT, 5/16-24 Hex, Grade 5	<i>Was 90223</i>
4	7090187	3	WASHER, 5/16 Split Lock	
5	7012587	3	SPRING	

Footnotes:



Thatcherizer (Accessory)

Item	Part No	Qty	Description	Note
	7061256		KIT, Thatcherizer	<i>(Includes Items 1 Thru 27)</i>
1	7032891	2	LATCH, Frame Attachment	
2A	7026572		BAR, Mount (Right Hand)	
2B	7026573		BAR, Mount (Left Hand)	
3	7018499	2	ROD, Tine	
4	7018700		SUPPORT, Wheel	
5	7019948		TRAY, Tine	
6	7018496	6	KIT, Tine Thatching Spring	<i>Was 60574</i>
7	7014100		BUSHING, Wheel Adjuster	
8	7018493		AXLE, Wheel	
9	7018189		WHEEL, 7.00 x 1.50 Gage	
10	7091705	10	NUT, 1/4-20 Hex Top Lock	<i>Was 90761</i>
11	7091294	4	WASHER, 1/4 Flat	<i>Was 90055</i>
12	7022425	2	SPRING, Compression	
13	7090825		BOLT, 1/4-20 x 1-1/4" Hex, Grade 5	
14	7091576	2	NUT, 1/4-20 Hex, Grade 5	<i>Was 90063</i>
15	7022424	2	CAP, Vinyl	
16	7090015	2	BOLT, 1/4-20 x 1-3/4" Carriage Grade 2	
17	7091303	6	BOLT, 5/16-18 x 1" Carr. Gr. 5	<i>Was 90383</i>
18	7091530	2	BOLT, 1/4-20 x 3/4" Carr. Gr. 5	<i>Was 90074</i>
19	7014098	6	WASHER, Reinforcing	
20	7090187	6	WASHER, 5/16 Split Lock	
21	7091511	6	NUT, 5/16-18 Hex, Gr. 5	<i>Was 90196</i>
22	7014101	2	NUT, 1/2 Push	
23	7014342	4	BEARING, Nyliner	
24	7014103		SCREW, 5/16-18 x 1/4" Set	
25	7090250	2	WASHER, 1/2 Flat	
26	7014115		DECAL, Adjustment	
27	7014062		DECAL, Thatcherizer	<i>See "Decals (Part 1)" illustration and parts list.</i>
	61395		KIT, Adapter	<i>Was 61395 (Includes Items 1,2 & 10 Thru 13)</i>

Footnotes:

Parts Manual for

SNAPPER®

21" STEEL DECK WALK BEHIND COMMERCIAL MOWERS SERIES 12 & 13

IT IS THE POLICY OF SNAPPER TO IMPROVE ITS PRODUCTS
WHenever IT IS POSSIBLE AND PRACTICAL TO DO SO. WE
RESERVE THE RIGHT TO MAKE CHANGES OR ADD IMPROVEMENTS
AT ANY TIME WITHOUT INCURRING ANY OBLIGATION TO MAKE
SUCH CHANGES ON PRODUCTS MANUFACTURED PREVIOUSLY.

SNAPPER® McDonough, GA, 30253 U.S.A.