

Parts Manual for

SNAPPER®

21" STEEL DECK WALK BEHIND COMMERCIAL SERIES 17

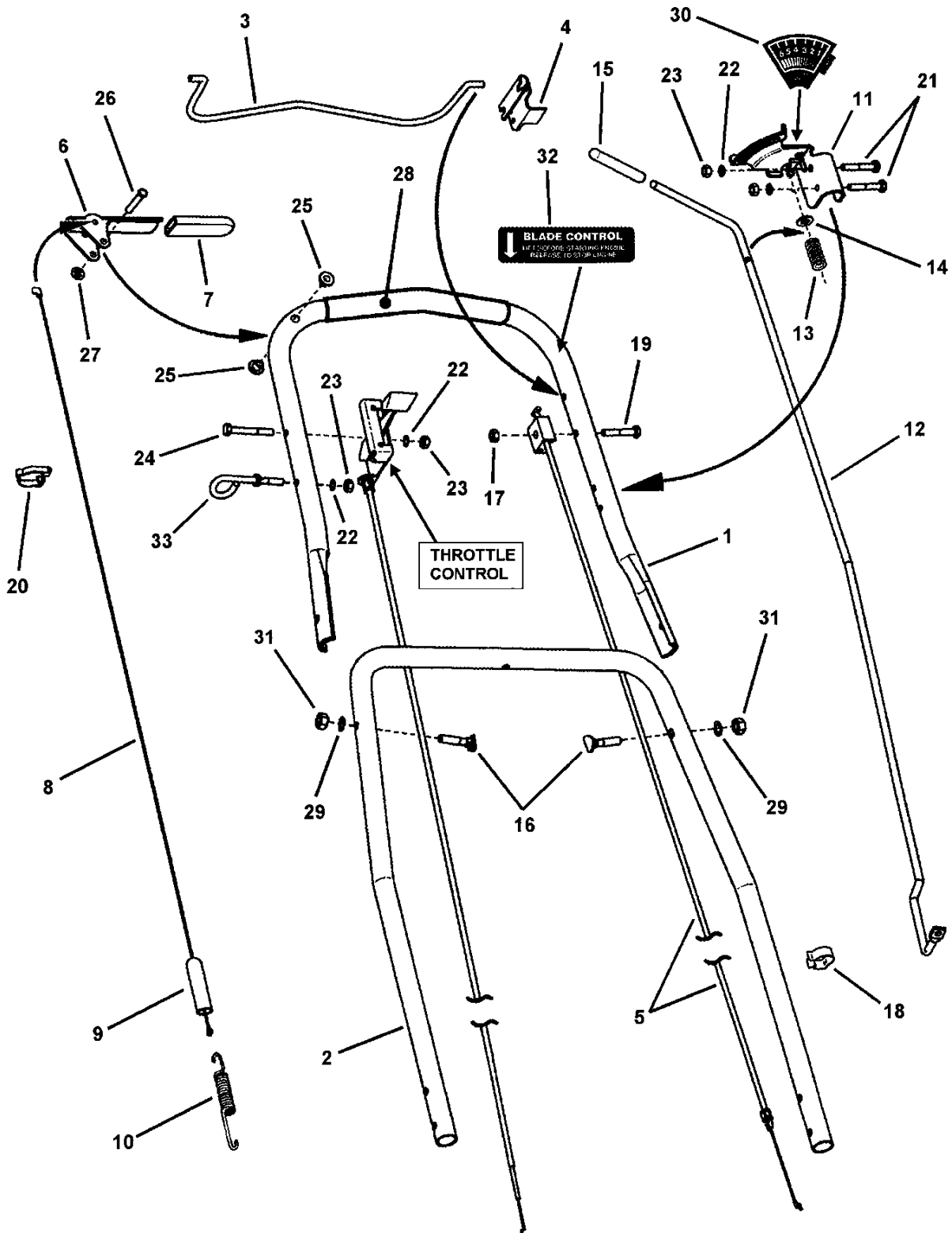
MODEL
CP214017R2
CP215017HV
CP215017KWV
CP215517HV
CP216017RV



SNAPPER® McDonough, GA, 30253 U.S.A.

PAGE	GROUP
4	HANDLES & CONTROLS (Upper End)
8	HANDLES & CONTROLS (Lower End)
10	CUTTING DECK, BLADE
14	FRONT WHEEL BRACKET, LATCHES
16	REAR WHEEL BRACKETS, LATCHES
18	FRONT AND REAR WHEELS
20	DRIVE SYSTEM SELF-PROPELLED
24	TRANSMISSION (DIFFERENTIAL)
26	ENGINE SPECIFICATION
28	THROTTLE CONTROLS
30	GRASS BAG ACCESSORY
32	SIDE CHUTE ADAPTER, BRACKETS
34	DECALS PT. 1
36	DECALS PT. 2
38	DECALS PT. 3
40	RECYCLING KITS ACCESSORY
42	SNAPPERIZER ACCESSORY
44	THATCHERIZER ACCESSORY

HANDLES & CONTROLS (Upper End)

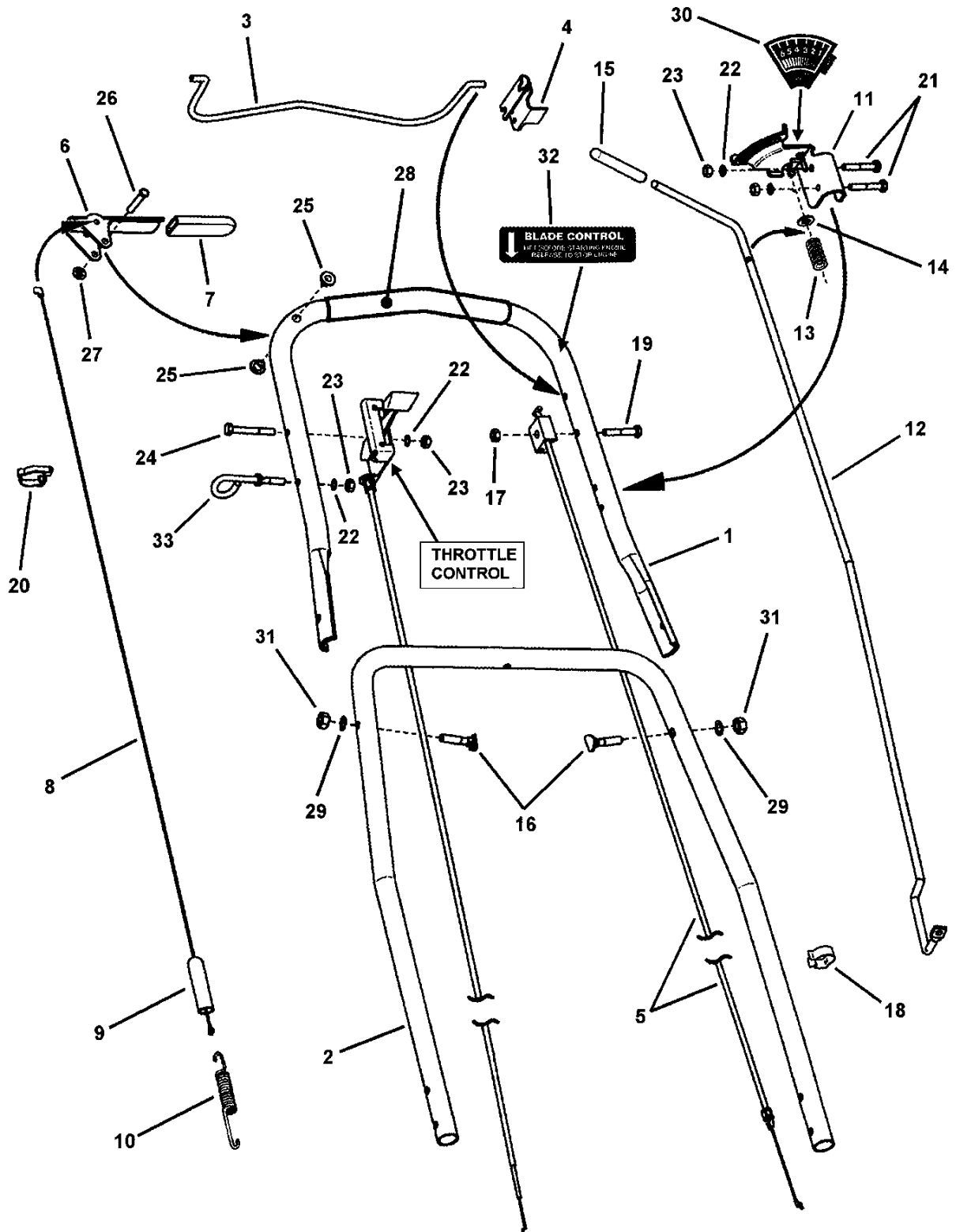


HANDLES & CONTROLS (Upper End)

Item	Part No	Qty	Description	Note
1	7074384	1	HANDLE, Upper	
2	7046737	1	HANDLE, Middle	
3	7047011	1	CONTROL, Blade	
4	7033904	1	CLIP, Blade Control (Kawasaki & Robin Models)	
--	7034872	1	CLIP, Blade Control (Honda Models)	
5	7073444	1	CABLE, Blade Control (47.85/3.93 length)	<i>Kawasaki Engines Models</i>
--	7074448	1	CABLE, Blade Control (46.00/4.12 length)	<i>Robin 4-Cycle Engine</i>
--	7074447	1	CABLE, Blade Control (46.12/3.50 length)	<i>Robin 2-Cycle Engine</i>
--	7074830	1	CABLE, Blade Control (44.00/4.16 length)	<i>Honda Engine Models</i>
6	7032826	1	HANDLE, Wheel Drive	
7	7014307	1	GRIP, Wheel Drive Handle	<i>Kawasaki & Robin Models</i>
--	7075305	1	GRIP, Wheel Drive Handle	<i>Honda Models</i>
8	7047092	1	CABLE, Clutch Pull (Z-bend) (38.31" length)	
9	7012121	1	COVER, Vinyl	
10	7012122	1	SPRING, Clutch	
11	7038478	1	SECTOR, Speed	
12	7074255	1	LEVER, Speed Control	
13	7012093	1	SPRING, Speed Control	
14	7090188	1	WASHER, 3/8" Flat	
15	7023801	1	GRIP, Speed Control Handle	
16	7091190	2	BOLT, 5/16-18 x 1-1/2" Curved Head Carriage	
17	7090303	1	NUT, 1/4-28 Hex Top Lock	
18	7023813	3	CLIP, Wiring Harness	
19	7091025	1	SCREW, 1/4-28 x 1-3/8" Hex Head Cap GR5	
20	7026219	1	CLAMP, 7/8" Double Cable	
21	7079577	2	SCREW, 1/4-20 x 1-1/2" Hex Head Cap GR5	
22	7090053	4	WASHER, 1/4" Internal Tooth Lock	<i>Was 91023</i>
23	7091576	4	NUT, 1/4-20 Hex	<i>Was 91100</i>
24	7090505	1	SCREW, 1/4-20 x 2" Hex Head Cap GR5	
25	7014343	2	BUSHING	
26	7023792	1	PIN, 1/4" x 1-1/2" (for clutch handle)	
27	7091020	1	PUSH-NUT, 1/4" (for handle pin)	
28	7022460	1	GRIP, Foam	<i>Kawasaki & Robin Models</i>
--	7075634	1	GRIP, Foam	<i>Was 73115, Honda Models</i>
29	7090391	2	WASHER, 5/16" Internal Tooth Lock	
30	7024087	1	DECAL, Speed Select	
31	7091511	6	NUT, 5/16-18 Hex, GR5	<i>Was 91069</i>

Footnotes

HANDLES & CONTROLS (Upper End)

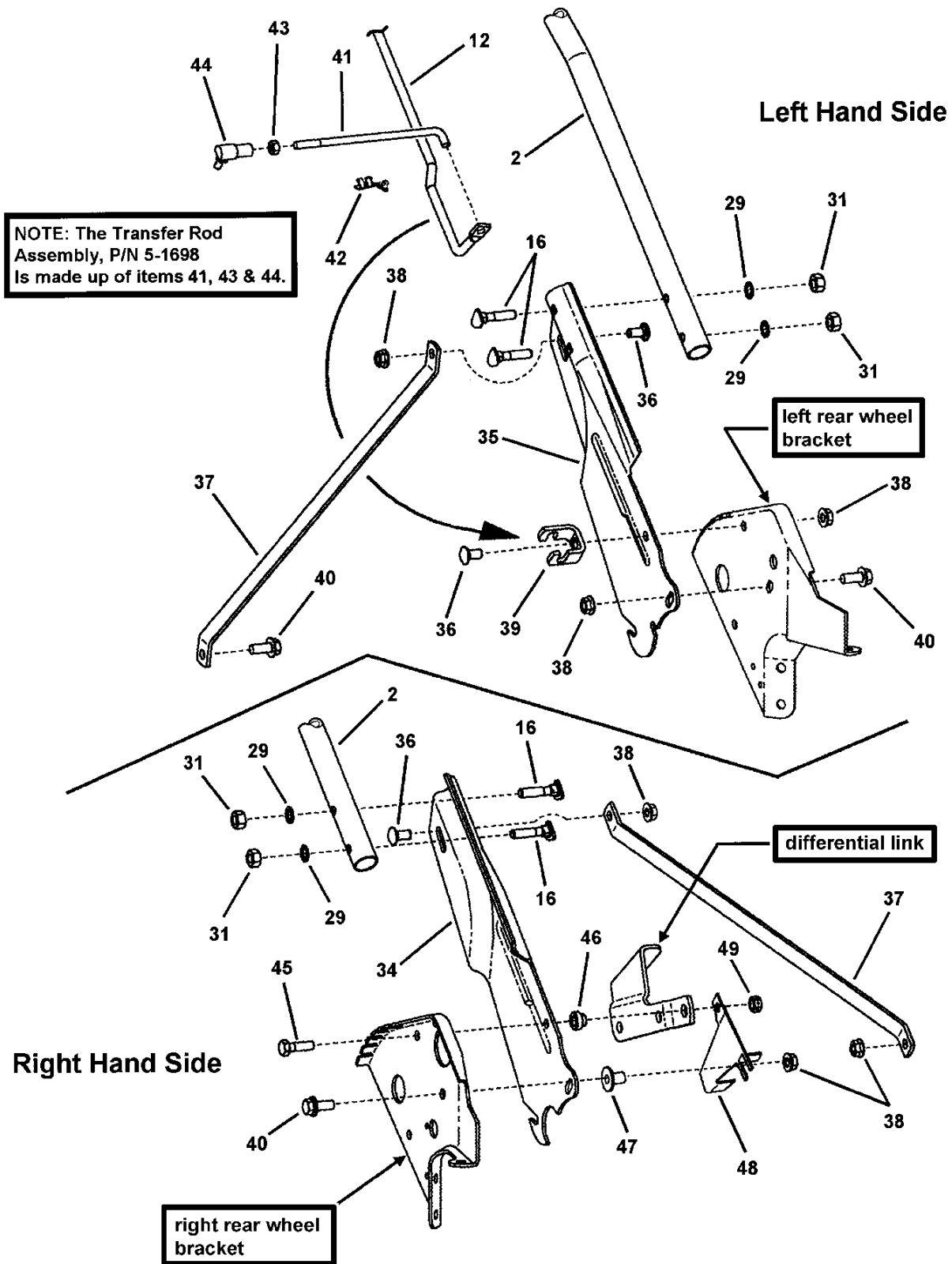


HANGLES & CONTROLS (Upper End)

Item	Part No	Qty	Description	Note
32	7024211	1	DECAL, Blade Control	
33	7046465	1	GUIDE, Rope (1/4-20 thread)	

Footnotes

HANDLES & CONTROLS (Lower End)

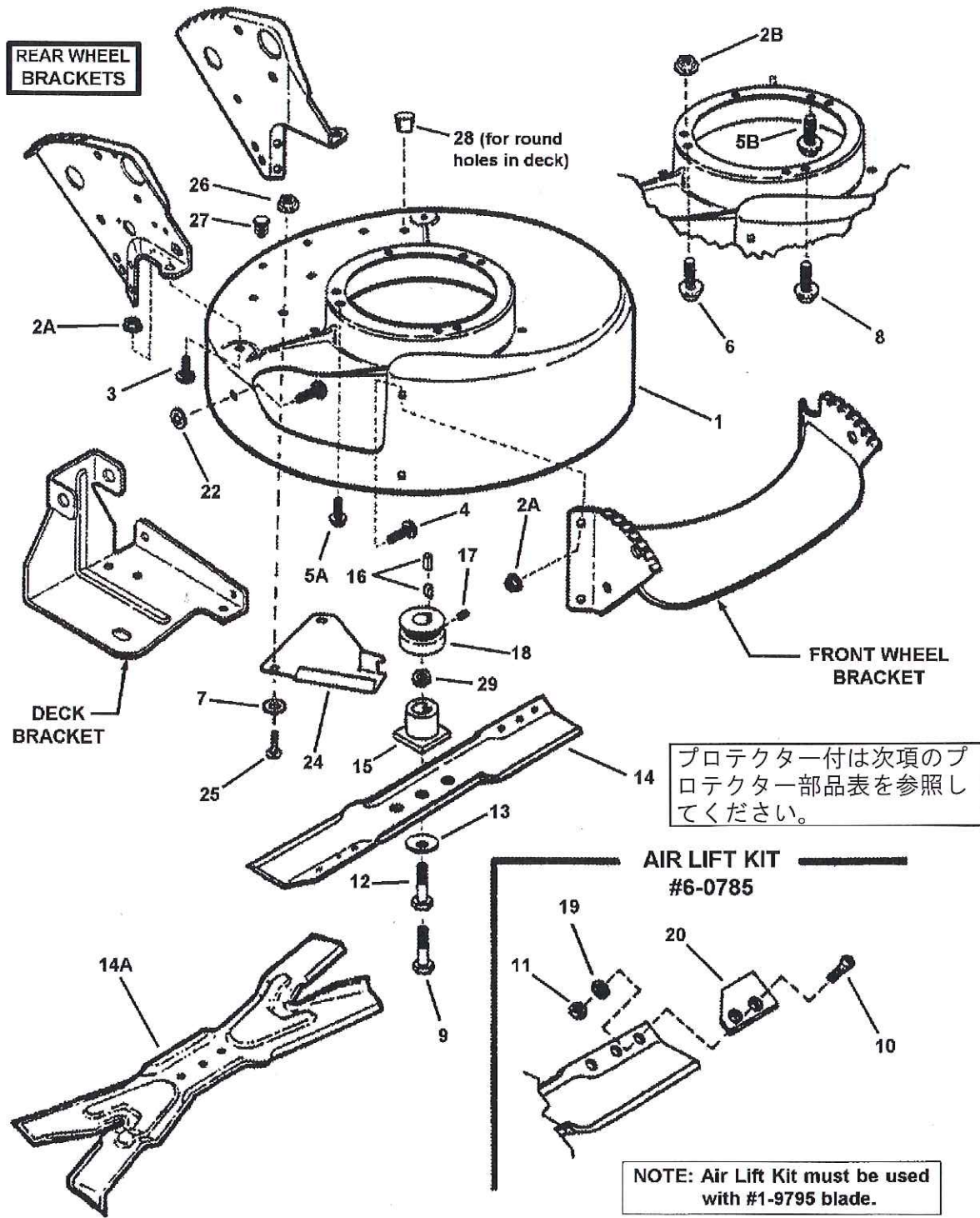


HANDLES & CONTROLS (Lower End)

Item	Part No	Qty	Description	Note
2	7046737	1	HANDLE, Middle	
12	7074255	1	LEVER, Speed Control	
16	7091190	2	BOLT, 5/16-18 x 1-1/2" Curved Head Carriage	
29	7090391	2	WASHER, 5/16" Internal Tooth Lock	
31	7091511	6	NUT, 5/16-18 Hex, GR5	Was 91069
34	7033986	1	HANDLE, Lower Right Hand	NOTE: Handles and controls are continued from previous page.
35	7033985	1	HANDLE, Lower Left Hand	
36	7090799	3	BOLT, 5/16-18 x 5/8" Short Neck Carriage GR5	Was 91026
37	7046707	2	STRAP, Handle	
38	7091601	1	NUT, 5/16-18 Hex Flange Lock GR5	Was 91070
39	7032830	1	ANCHOR, Speed Control	
40	7090595	3	BOLT, 5/16-18 x 5/8" Hex Flange Lock GR5	
41	7015752	1	ROD, Transfer (1/4-28 thread)	
42	7010937	1	CLIP, Transfer Rod	
43	7090095	1	NUT, 1/4-28 Hex, GR5	
44	7015753	1	BALL JOINT (1/4-28 thread)	
45	7090238	1	SCREW, 5/16-24 x 1" Hex Head Cap, GR5	
46	7012114	1	BUSHING, Differential	
47	7090895	1	NUT, 5/16-18 Tee	
48	7032408	1	GUIDE, Lower V-Belt	
49	7091606	1	NUT, 5/16-24 Hex Center Lock GR5	Was 91074

Footnotes

CUTTING DECK, BLADE



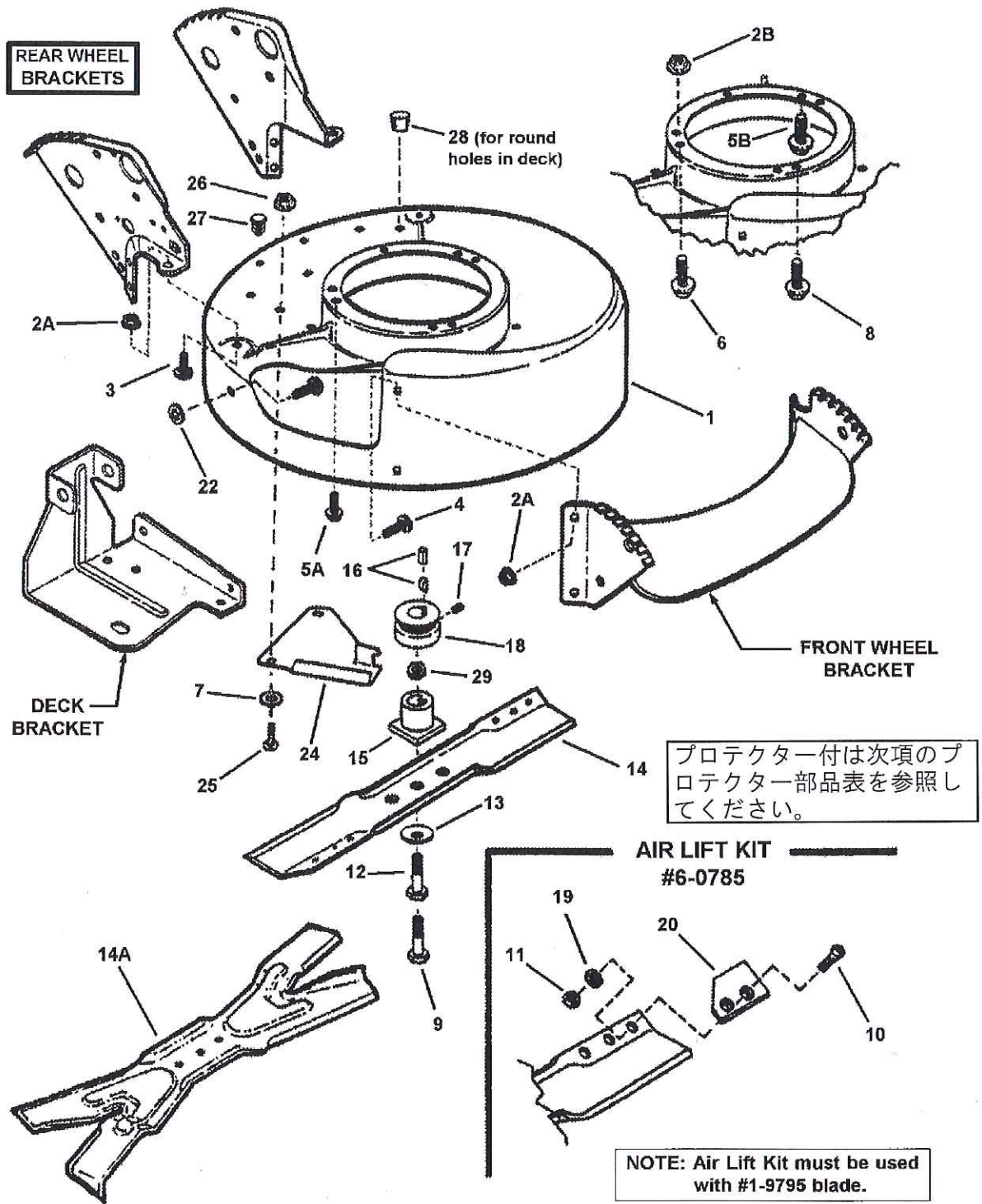
プロテクター付は次項のプロテクター部品表を参照してください。

CUTTING DECK, BLADE

Item	Part No	Qty	Description	Note
1	7057663	1	DECK, Mower (Includes painted deck with decals)	
2A	7091601	10	NUT, 5/16-18 Hex Flange Lock, GR5	<i>Was 90585 or 91070</i>
2B	7091601	10	NUT, 5/16-18 Hex Flange Lock, GR5	<i>Was 90585 or 91070</i>
3	7090731	9	BOLT, 5/16-18 x 1/2" Short Neck Carriage GR5	
4	7091169	1	BOLT, 5/16-18 x 1-1/8" Short Neck Carriage GR5	
5A	7090324	3	SCREW, 3/8-16 x 1" Self-Tap (engine mount)	
5B	7090324	3	SCREW, 3/8-16 x 1" Self-Tap (engine mount)	
6	7090700	1	BOLT, 5/16-18 x 1-1/2" Hex Flange Lock, GR5	
7	7031961	1	WASHER, 1/2" Flat	
8	7090595	1	BOLT, 5/16-18 x 5/8" Hex Flange Lock GR5	
9	7090483	1	SCREW, 3/8-24 x 1-3/4 Hex Head Cap GR5	<i>Robin & Honda Models</i>
10	7090228	4	SCREW, 5/16-24 x 21/32" Oval Head Machine	
11	7091297	4	NUT, 5/16-24 Hex, GR5	<i>Was 90223</i>
12	7090167	1	SCREW, 3/8-24 x 2" Hex Head Cap, GR5	<i>used on Kawasaki</i>
13	7012063	1	WASHER, Cone	
14	7026691	1	BLADE, Cutter (Standard Lift) (20.75")	
14A	7026407	1	BLADE, 21" Ninja (Quad Edge) (20.75")	
14B	7019795	1	BLADE, Cutter (European) (20.75")	
15	7015626	1	HUB, Blade Drive 25mm	<i>Robin Models</i>
--	7012927		HUB, Blade Drive 7/8"	<i>Kawasaki & Honda Models</i>
16	7010783	2	KEY, Woodruff #505 Hi-Pro	<i>Kawasaki & Honda Models</i>
--	7016755	1	KEY, 1/4" Square x 3/4"	<i>Robin Models</i>
17	7090201	1	SCREW, 5/16-18 x 5/16" Hex Socket Set	
18	7022106	1	PULLEY, Engine, (25mm x 2.12")	<i>Robin Models</i>
--	7021764	1	PULLEY, Engine (7/8" I.D. x 2-1/8" O.D.)	<i>Kawasaki & 5HP Honda Models</i>
--	7021822	1	PULLEY, Engine	<i>5.5HP Honda Models</i>
19	7090391	4	WASHER, 5/16" Internal Tooth Lock	
20	7032558	2	LIFT, Air	
21	7091508	2	BOLT, 5/16-18 x 3/4" Short Neck Carriage GR5	<i>Was 90001</i>
22	7011791	2	RETAINER, 5/16" Bolt	
23	7011762	1	COVER, Spark Plug	<i>not shown</i>
--	7060785	1	KIT, Air Lift	<i>(Includes items 10, 11, 19 & 20)</i>
24	7074568	1	BAFFLE, Belt	
25	7090731	9	BOLT, 5/16-18 x 1/2" Short Neck Carriage GR5	
26	7091601	10	NUT, 5/16-18 Hex Flange Lock, GR5	<i>Was 90585 or 91070</i>
27	7046780	2	PLUG, Hole	
28	7045264	2	PLUG, 5/16" Round Hole	

Footnotes

CUTTING DECK, BLADE



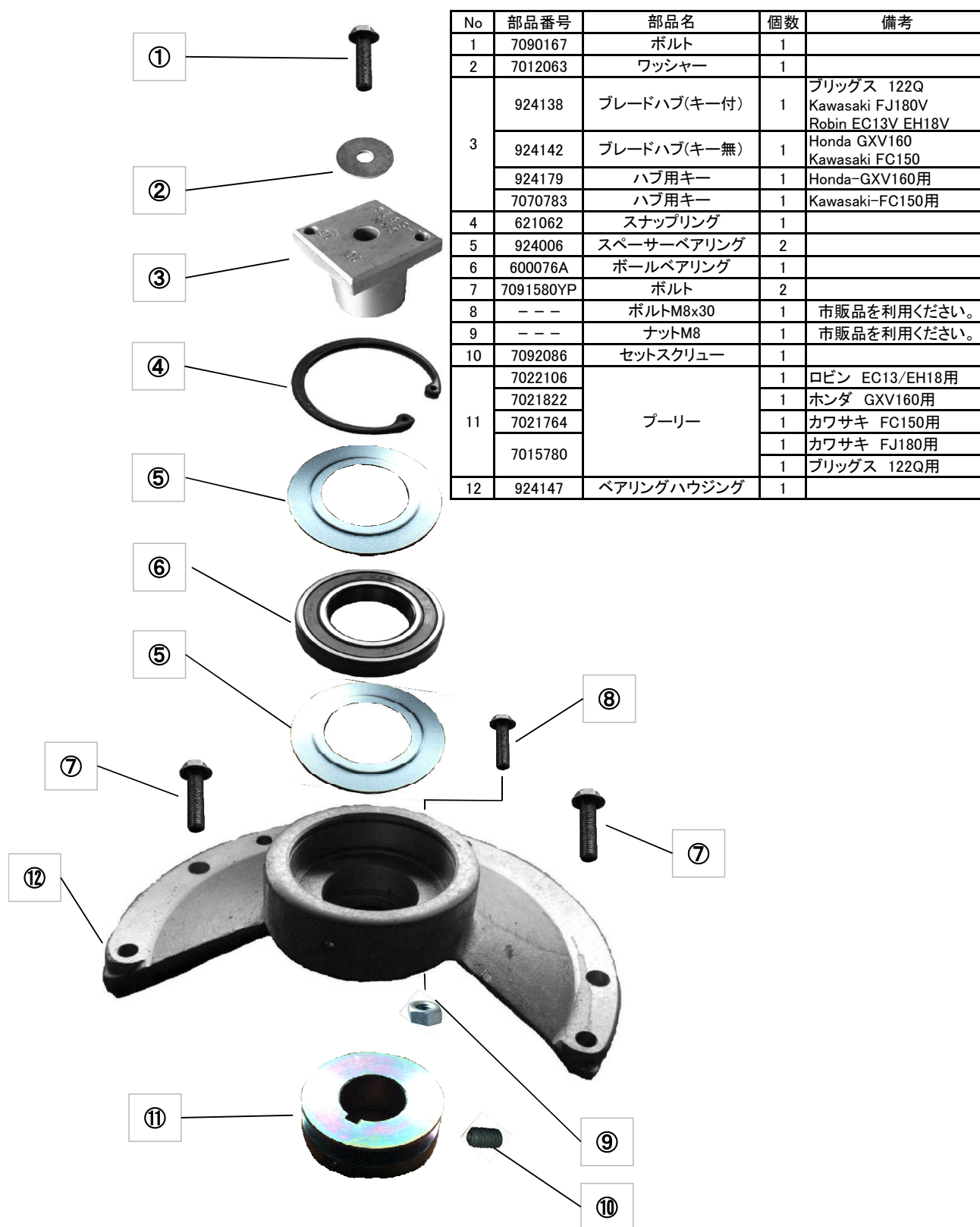
プロテクター付は次項のプロテクター部品表を参照してください。

CUTTING DECK, BLADE

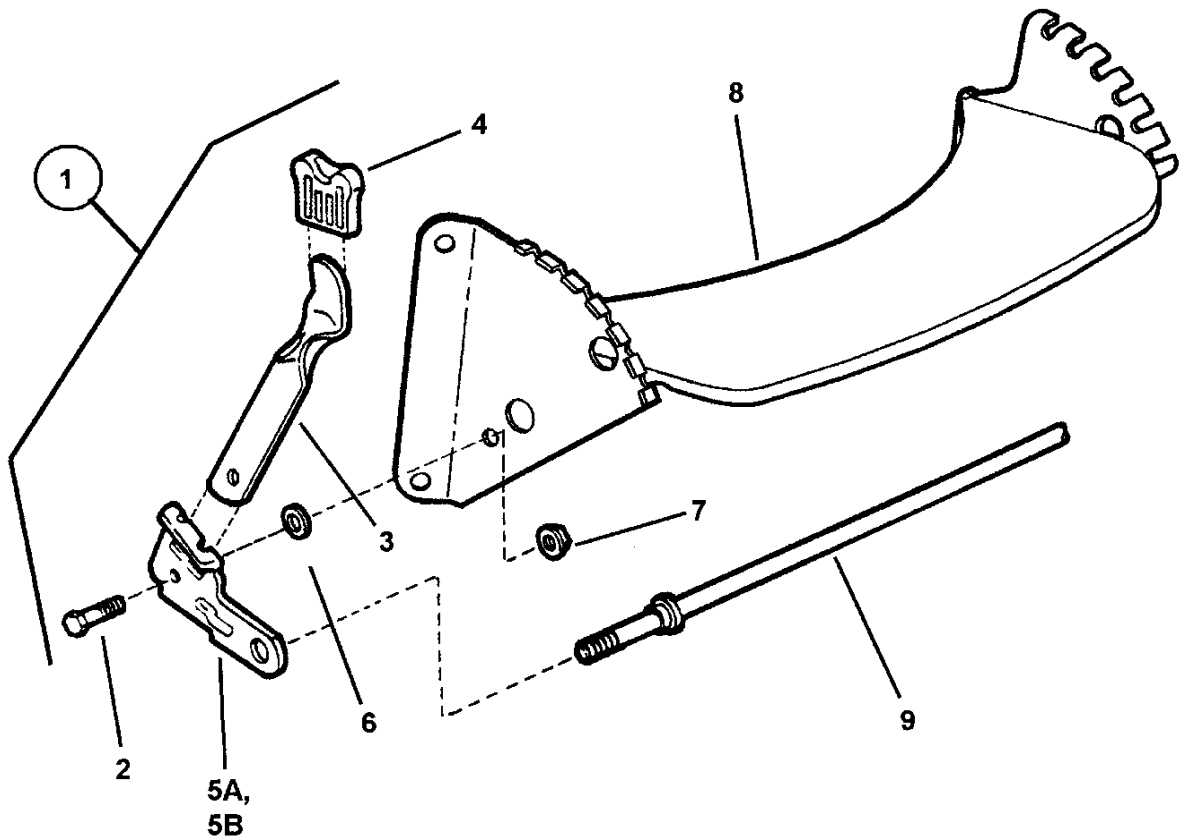
Item	Part No	Qty	Description	Note
29	7044770	1	SPACER, Blade Hub (1/16" thick)	

Footnotes

クランクシャフトプロテクター部品表



FRONT WHEEL BRACKET, LATCHES

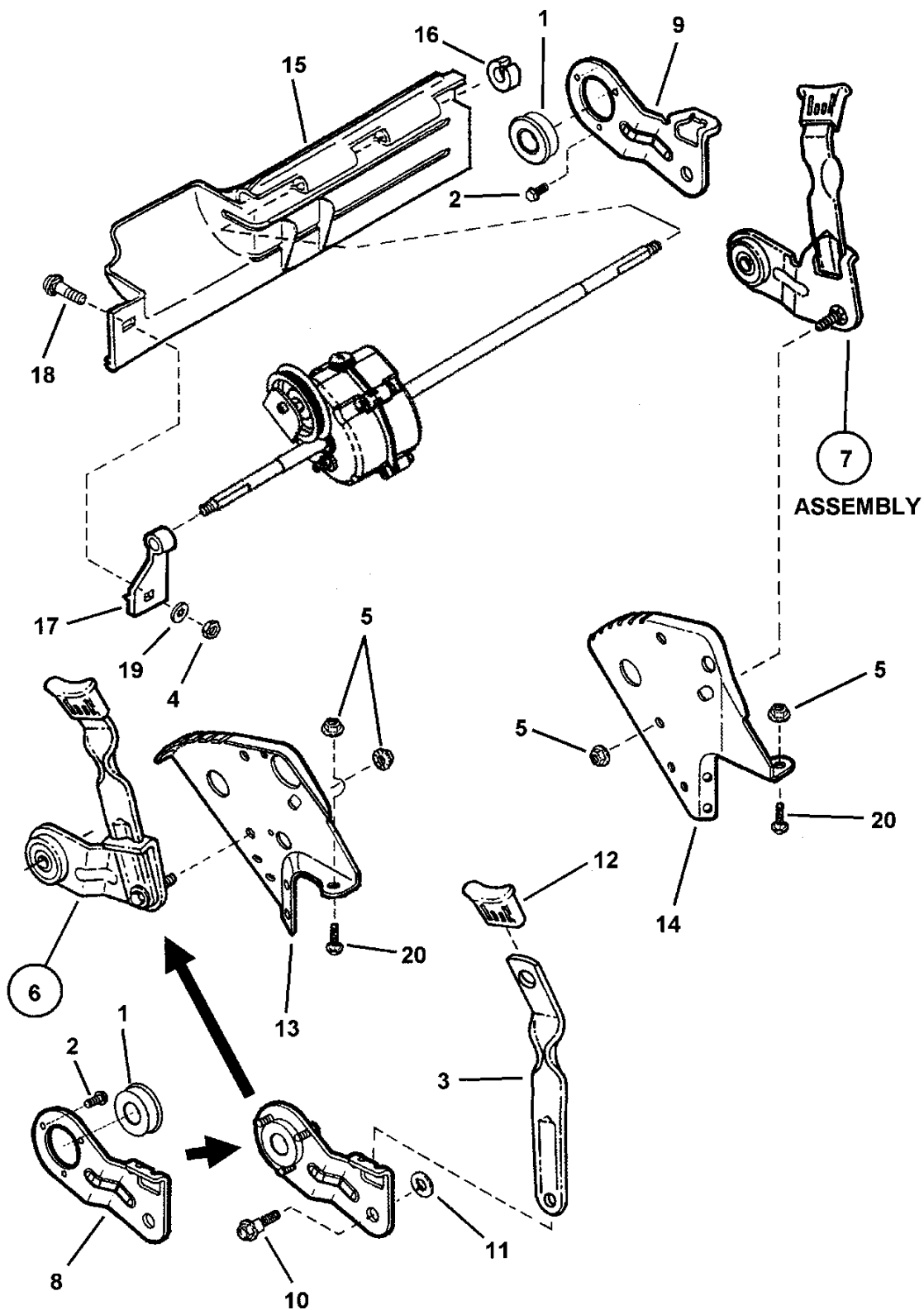


FRONT WHEEL BRACKET, LATCHES

Item	Part No	Qty	Description	Note
1	7051885	1	ASSEMBLY, Left Wheel Arm	<i>(Consists of items 2, 3, 4, 5A & 6)</i>
--	7051886	1	ASSEMBLY, Right Wheel Arm	<i>(Consists of items 2, 3, 4, 5B & 6)</i>
2	7015761	2	BOLT, 5/16-18 Hex Washer Face Shoulder	
3	7012325	2	LATCH, Height	
4	7027702	2	GRIP, Latch	
5A	7031016	1	ARM, Left Wheel (Square Hole)	<i>not shown</i>
5B	7031017	1	ARM, Right Wheel (Round Hole)	
6	7011791	2	RETAINER, 5/16" Bolt (Black)	
7	7091601	2	NUT, 5/16-18 Hex Flange Lock	<i>Was 91070</i>
8	7074702	1	WELDMENT, Front Wheel Bracket	<i>Was 41770</i>
9	7021119	1	AXLE	

Footnotes

REAR WHEEL BRACKETS, LATCHES

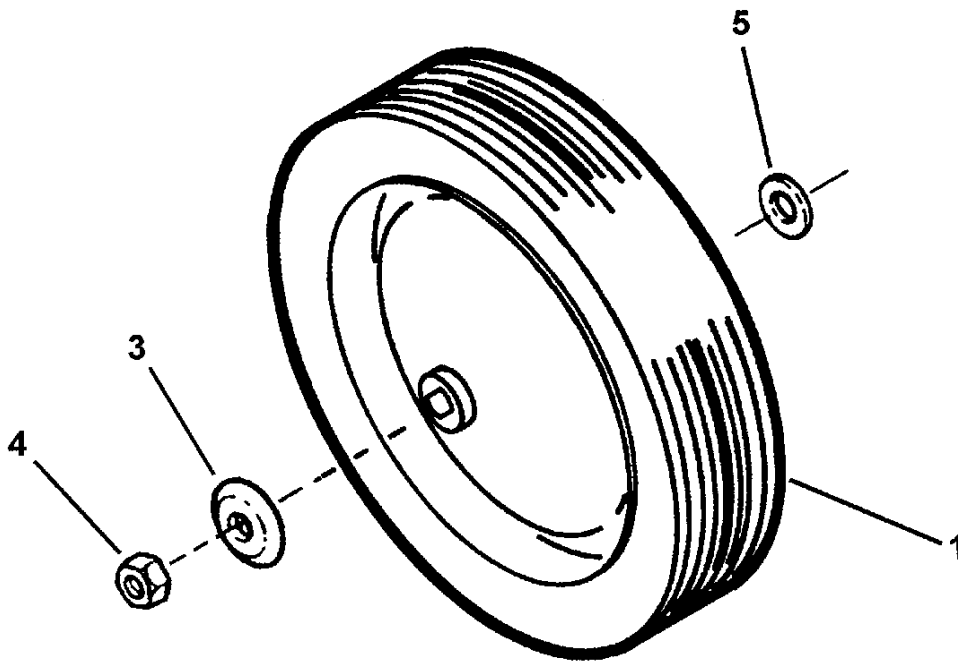


REAR WHEEL BRACKETS, LATCHES

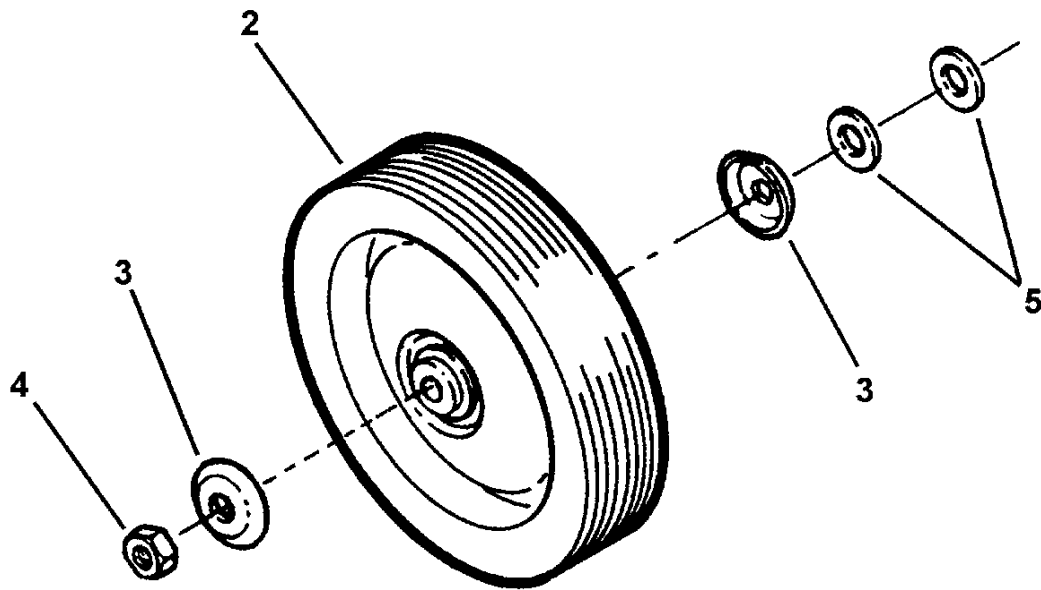
Item	Part No	Qty	Description	Note
1	7012312	1	BALL BEARING, 9/16" I.D.	<i>per side</i>
2	7091012	3	SCREW, #10-32 x 3/8" Hex Washer Self-Tap (Torx)	<i>per side</i>
3	7035717	1	LATCH, Height Adjusting (Long)	<i>per side</i>
4	7091576	1	NUT, 1/4-20 Hex	<i>Was 90063</i>
5	7091601	6	NUT, 5/16-18 Hex Flange Lock, GR5	<i>Was 90585</i>
6	7054230	1	ASSEMBLY, Wheel Arm (Right Rear)	<i>Was 54230 (Self-Propelled models)(Incl. 1, 2, 3, 8, 10, 11 & 12)</i>
7	7054247	1	ASSEMBLY, Wheel Arm (Left Rear)	<i>Was 54231 (Self-Propelled models)(Incl. 1, 2, 3, 9, 10, 11 & 12)</i>
8	7032722	1	ARM, Wheel, Right Rear	<i>used on Self-Propelled models</i>
9	7032723	1	ARM, Wheel, Left Rear	<i>used on Self-Propelled models</i>
10	7011078	1	BOLT, 5/16-18 x 1" Shoulder	<i>per side</i>
11	7011791	1	RETAINER, 5/16" Bolt	<i>per side</i>
12	7027702	1	GRIP, Latch	<i>per side</i>
13	7033494	1	BRACKET, Right Rear Wheel	
14	7033495	1	BRACKET, Left Rear Wheel	
15	7029008	1	GUARD, Rear Foot	<i>used on Self-Propelled</i>
16	7023791	1	RING, Split (Black)	
17	7012616	1	SUPPORT, Foot Guard	
18	7091604	1	BOLT, 1/4-20 x 1/2" Short Neck Carriage GR5	<i>Was 90005</i>
19	7090053	1	WASHER, 1/4" Internal Tooth Lock	<i>Was 91023</i>
20	7090731	6	BOLT, 5/16-18 x 1/2" Short Neck Carriage GR5	

Footnotes

FRONT AND REAR WHEELS



REAR WHEEL



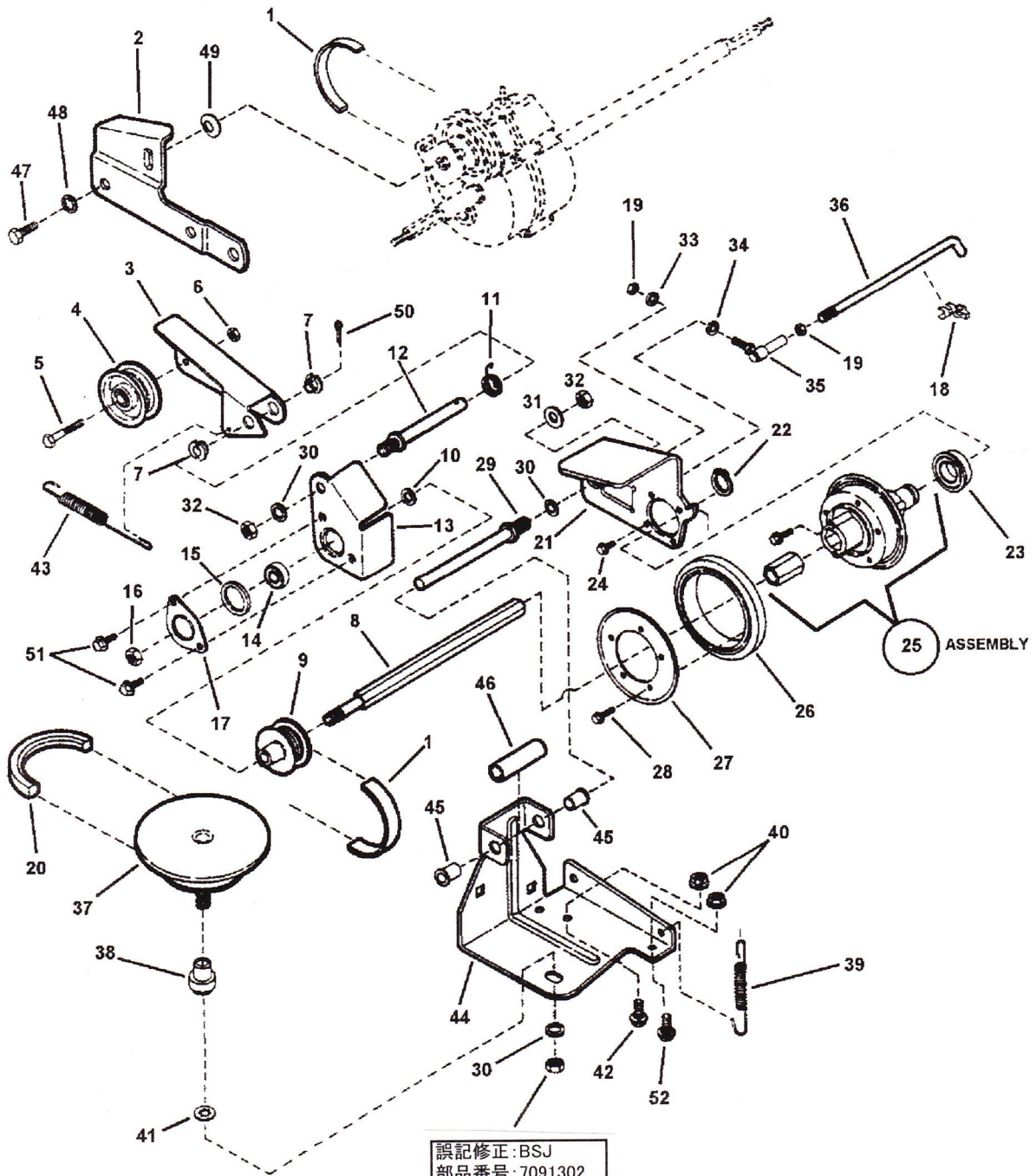
FRONT WHEEL

FRONT AND REAR WHEELS

Item	Part No	Qty	Description	Note
1	7035726	2	WHEEL, Rear 10.0 x 1.75 Diamond Grey	
2	7035727	2	WHEEL, Front 8.0 x 1.75 Diamond Black	
3	7031121	4	HUB-CAP (Front Wheels)	
--	7031960	2	HUB-CAP (Rear Wheels)	
4	7090377	4	NUT, 7/16-20 Hex Center Lock Jam	
5	7031961	6	WASHER, 7/16 x 1" O.D. Flat	

Footnotes

DRIVE SYSTEM SELF-PROPELLED

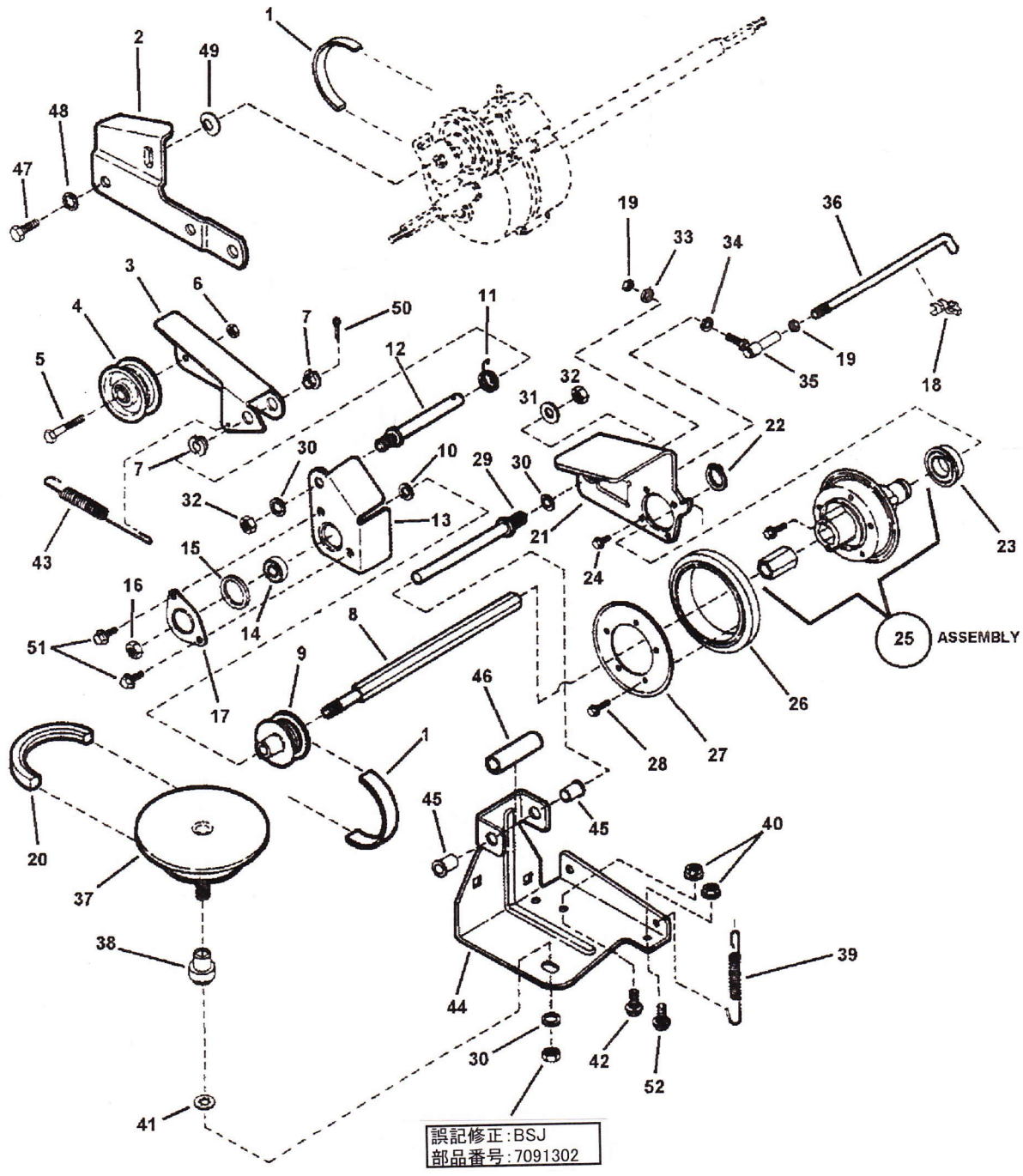


DRIVE SYSTEM SELF-PROPELLED

Item	Part No	Qty	Description	Note
1	7012354	1	BELT, Poly-Vee	
2	7034179	1	LINK, Differential	
--	7051921	1	ASSEMBLY, Clutch Idler (Includes items 3 thru 7)	
3	7032832	1	ARM, Clutch Idler	
4	7012124	1	PULLEY, Idler	
5	7091025	1	SCREW, 1/4-28 x 1-3/8" Hex Head Cap GR5	
6	7090303	1	NUT, 1/4-28 Hex Top Lock	
7	7012117	2	BUSHING, 3/8" Plastic	
8	7072284	1	SHAFT, Hex Drive	
9	7019383	1	PULLEY, Poly-Vee	
10	7012316	1	WASHER, 3/8" Flat	
11	7012126	1	SPRING, Torsion	
12	7012111	1	STUD, Idler (3/8-24 thread)	
13	7031873	1	HOLDER, Bearing (Inner Half)	
14	7028014	1	BEARING, Ball, .38 I.D. Spherical O.D.	
15	7011025	1	O-RING	
16	7090289	1	NUT, 3/8-24 Hex Center Lock GR5 or B	
17	7031809	1	HOLDER, Bearing (Outer Half)	
18	7010937	1	CLIP, 1/4" Right Arc (Transfer Rod)	
19	7090095	1	NUT, 1/4-28 Hex GR5	
20	7046784	1	BELT, Engine Drive 3L (Stretch)	
--	7053225	1	ASSEMBLY, Driven Disc (Cantilever) (Incl. items 21 thru 28)	
21	7035477	1	PLATE, Thrust	
22	7010746	1	RING, 5/8" External Retaining	
23	7029027	1	BEARING, Ball	
24	7090981	4	SCREW, #10-32 x 1/4" Self-Tap Machine	
25	7061276	1	ASSEMBLY, Hub (Includes 11108 Bushing & 90913 Screws)	Was 53217
26	7023364	1	RING, Driven	
27	7031013	1	PLATE, Ring Retaining	
28	7090913	5	SCREW, #10-24 x 1/2" Hex Washer Self-Tap (Torx)	
29	7012125	1	GUIDE, Thrust Plate (3/8-24 thread)	
30	7090390	3	WASHER, 3/8" Internal Tooth Lock	
31	7090122	1	WASHER, 3/8" Flat	
32	7091630	2	NUT, 3/8-24 Hex, GR B	Was 90155
33	7091294	1	NUT, 1/4-28 Hex GR5	Was 90055
34	7090053	1	WASHER, 1/4" Internal Tooth Lock	
35	7015753	1	BALL JOINT, 1/4-28	

Footnotes

DRIVE SYSTEM SELF-PROPELLED

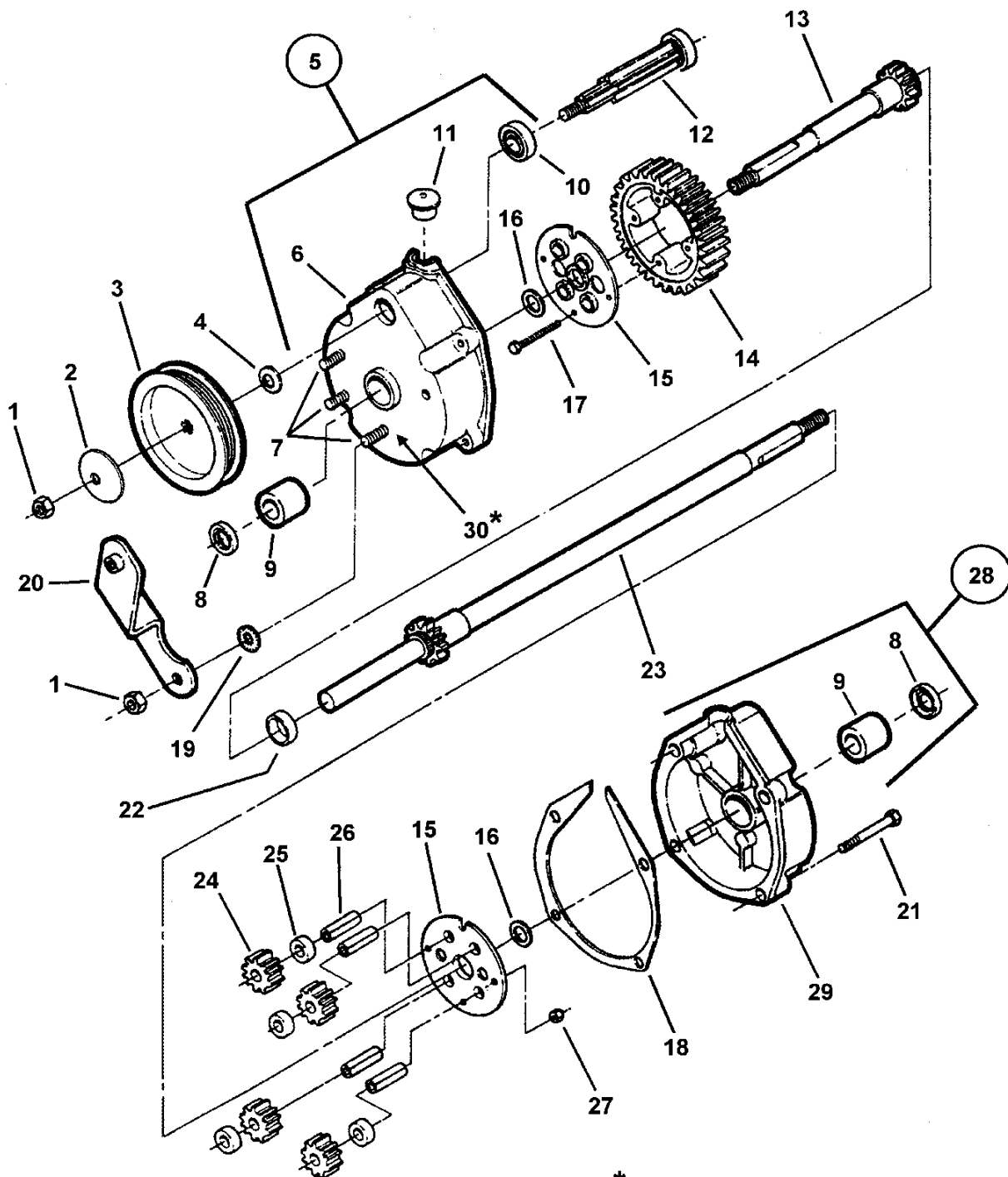


DRIVE SYSTEM SELF-PROPELLED

Item	Part No	Qty	Description	Note
36	7015752	1	LINK, Transfer	
37	7061275	1	KIT, Drive Disc Assembly	
38	7017696	1	BUSHING	
39	7029025	1	SPRING, Wheel Drive	
40	7091601	2	NUT, 5/16-18 Hex Flange Lock, GR5	<i>Was 91070</i>
41	7013847	1	RETAINER, 3/8" Bolt	
42	7090731	1	BOLT, 5/16-18 x 1/2" Short Neck Carriage GR5	
43	7012122	1	SPRING, Clutch	
--	7052987	1	ASSEMBLY, Deck Bracket (Includes items 44 thru 46)	
44	7033774	1	BRACKET, Deck	
45	7012306	2	BUSHING, Flange, Plastic	
46	7021758	1	SPACER	
47	7090534	1	SCREW, 5/16-18 x 1/2" Hex Head Cap, GR5	
48	7090391	1	WASHER, 5/16" Internal Tooth Lock	
49	7011724	1	WASHER, 7/16" Curved Spring	
50	7091597	1	PIN, 3/32 x 1/2" Cotter	<i>Was 90555</i>
51	7091122	2	SCREW, 1/4-20 x 1/2" Hex Washer Self-Tap	<i>Was 90539</i>
52	7090799	1	BOLT, 5/16-18 x 5/8" Short Neck Carriage GR5	<i>Was 91026</i>

Footnotes

TRANSMISSION (DIFFERENTIAL)



* UNDER HEAD OF SCREW, ITEM 7

TRANSMISSION (DIFFERENTIAL)

Item	Part No	Qty	Description	Note
--	7053943	1	ASSEMBLY, Transmission (Incl. items 1 thru 30)	
1	7092062	4	NUT, 5/16-24 Hex Lock, GR C	
2	7092063	2	WASHER, 5/16" I.D. Cone	
3	7019213	1	PULLEY, Poly-Vee Belt	
4	7091720	1	WASHER, Spring	
5	7053941	1	ASSEMBLY, Housing, Right (Incl. items 6 thru 10)	
6	7029034	1	HOUSING, Right Side	
7	7014155	3	SCREW, 5/16-24 x 1-1/8" Rib Neck, GR5	
8	7012314	2	SEAL, 5/8" Internal Dia.	
9	7029035	2	BEARING, Tapered- (Differential Housing)	
10	7073963	1	BEARING, Ball	
11	7016544	1	PLUG, Housing	
12	7050767	1	GEAR, Input	
13	7050830	1	AXLE, Short	
14	7012495	1	GEAR, Differential (46 tooth)	
15	7031970	2	PLATE, 46T Gear	
16	7031965	2	WASHER, Thrust, 3/4" I.D.	
17	7090557	4	SCREW, #10-32 x 1-1/2" Hex Head Cap GR5	
18	7011774	1	GASKET, Housing	
19	7090189	3	WASHER, 5/16" Internal/External Tooth Lock	
20	7051903	1	BRACKET, Differential	
21	7091825	4	SCREW, 1/4-20 x 1" Hex Washer Self-Tap	Was 92064
22	7012543	1	SPACER, Axle Gear	
23	7050831	1	AXLE, Long	
24	7021115	4	GEAR, Pinion (12 tooth)	
25	7012500	4	SPACER, Pinion Gear	
26	7011110	4	SHAFT, Pinion	
27	7090376	4	NUT, #10-32 Hex Nyloc	
28	7053938	1	ASSEMBLY, Left Housing (Includes items 8, 9 & 29)	
29	7029033	1	HOUSING, Left	
30	7024442	1	GASKET, 5/8" O. D.	

Footnotes

No
Diagram
Available

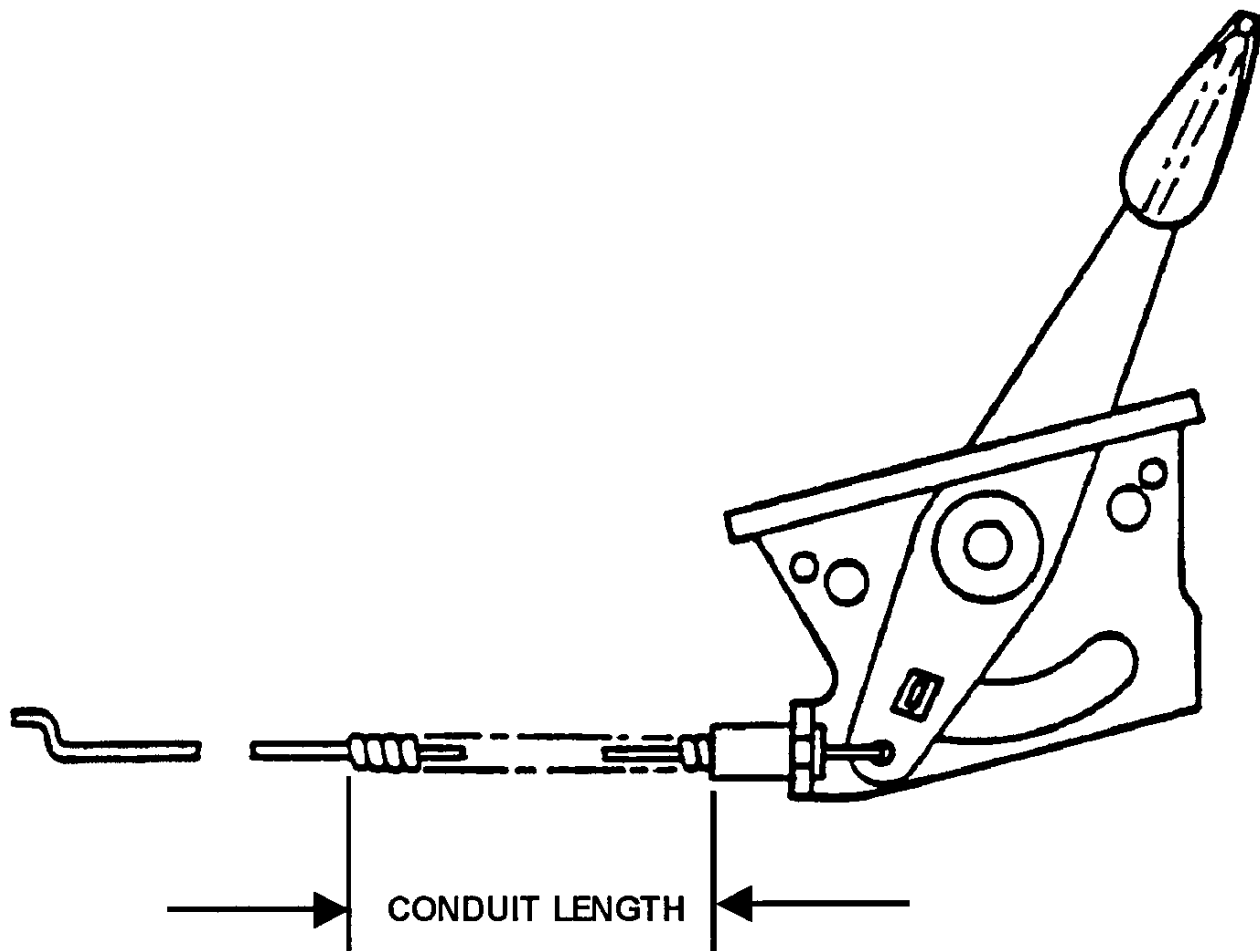
Parts List
Only

ENGINE SPECIFICATION

Item	Part No	Qty	Description	Note
--	--	1	ENGINE, 4 HP 2-Cycle Robin, Recoil	<i>Model EC13V; Type n/a</i>
--	--	1	ENGINE, 6 HP 4-Cycle Robin, Recoil	<i>Model EH18V; Type n/a</i>
--	--	1	ENGINE, 5 HP Kawasaki, Recoil	<i>Model FC150V; Type GS13</i>
--	--	1	ENGINE, 5 HP Honda, Recoil	<i>Model GXV140A1KT; Type 566700</i>
--	--	1	ENGINE, 5.5 HP Honda, Recoil	<i>Model GXV160KA12; Type 575000</i>

Footnotes

Note* Purchase engine parts from engine manufacturer dealer.

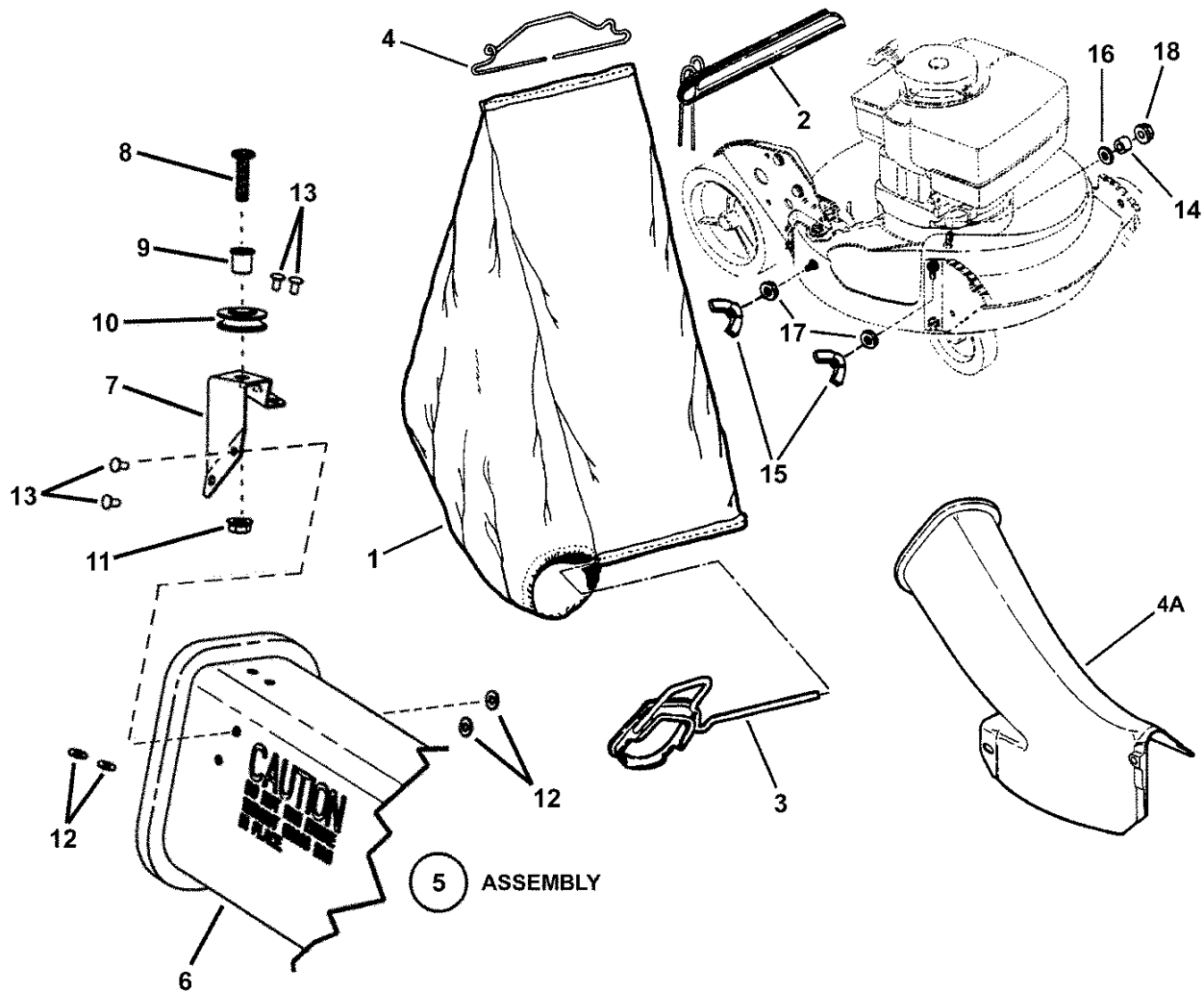


THROTTLE CONTROLS

Item	Part No	Qty	Description	Note
	7029590	1	Throttle Control (50" conduit length)	<i>used on Robin 2-Cycle Engine</i>
	7074450	1	Throttle Control (42.75" conduit length)	<i>used on Robin 4-Cycle Engine</i>
	7074449	1	Throttle Control (48.90" conduit length)	<i>used on Kawasaki 4-Cycle Engine</i>
	7074829	1	Throttle Control	<i>used on Honda 4-Cycle Engine</i>

Footnotes

GRASS BAG ACCESSORY

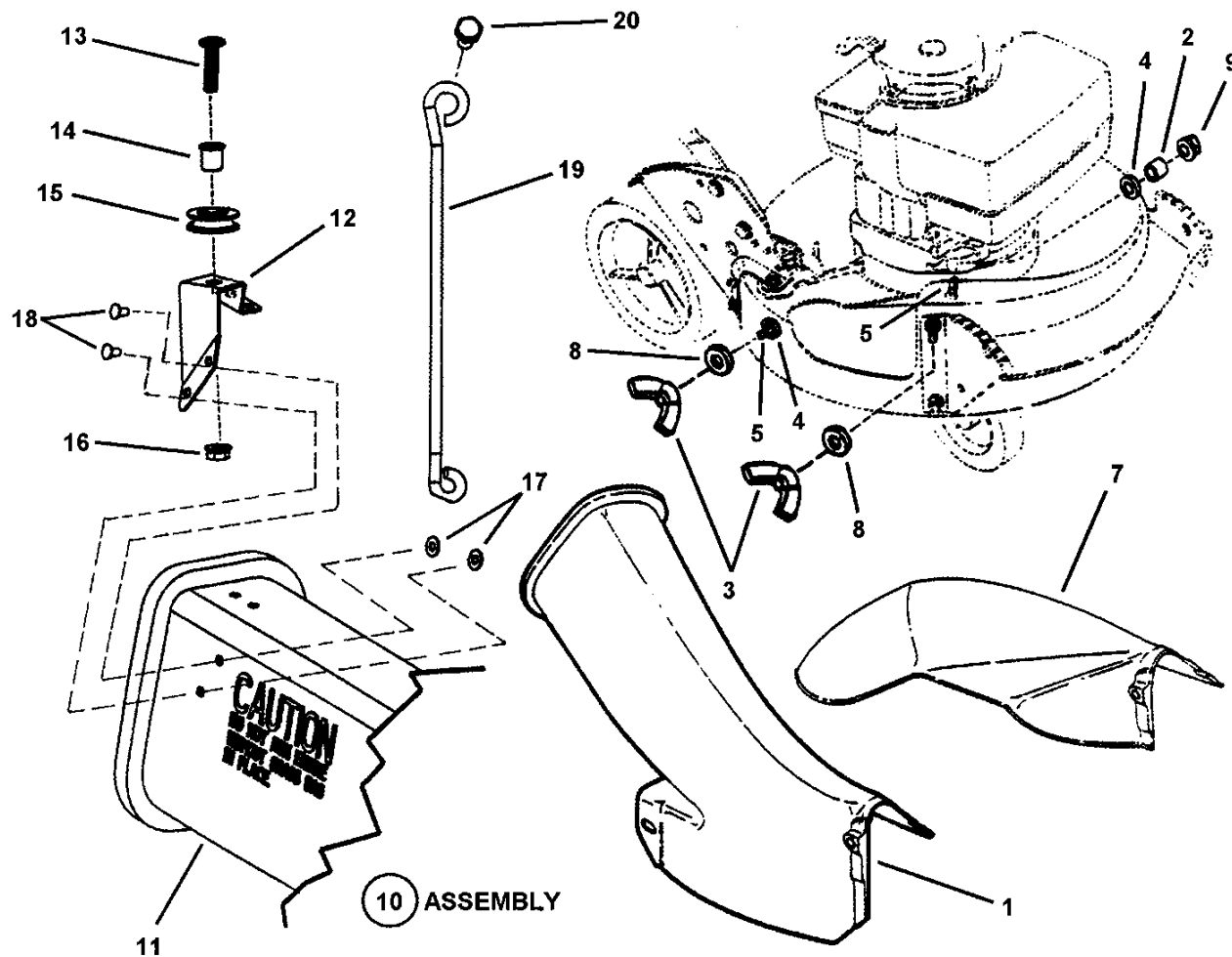


GRASS BAG ACCESSORY

Item	Part No	Qty	Description	Note
--	7060936	1	KIT, Grass Bag Catcher	<i>(Incl. Items 1, 2, 3 & 4)</i>
1	7074426	1	BAG, Grass Slider (Black/Gold) (10.75" Wide)	<i>Was 23774</i>
2	7050711	1	ASSEMBLY, Slider	
3	7042489	1	CONNECTOR, Grass Bag (weldment)	
4	7019247	1	WIRE, Bag Connector (12" Wide)	
4A	7016050	1	ADAPTER, Grass Bag	
5	7058037	1	ASSEMBLY, Grass Bag Adapter (Includes items 6 thru 13)	
6	7047081	1	ADAPTER, Bag	
7	7047082	1	BRACKET, Rope Pulley	
8	7091984	1	SCREW, 5/16-18 x 1-1/4" Pan Head Machine	
9	7012306	1	BUSHING, Flange	
10	7024228	1	PULLEY, Plastic	
11	7091601	1	NUT, 5/16-18 Hex Flange Lock GR5	<i>Was 91070</i>
12	7072107	4	WASHER, 15/32" Flat	
13	7013860	4	RIVET, 3/16 x .344	
14	7024340	1	SPACER	
15	7024085	2	NUT, 5/16-18 Wing (Nylon Patch)	
16	7011791	1	RETAINER, 5/16" Bolt	
17	7091076	2	WASHER, 5/16" Flat	
18	7090951	1	NUT, 5/16-18 Hex Large Flange Center Lock	

Footnotes

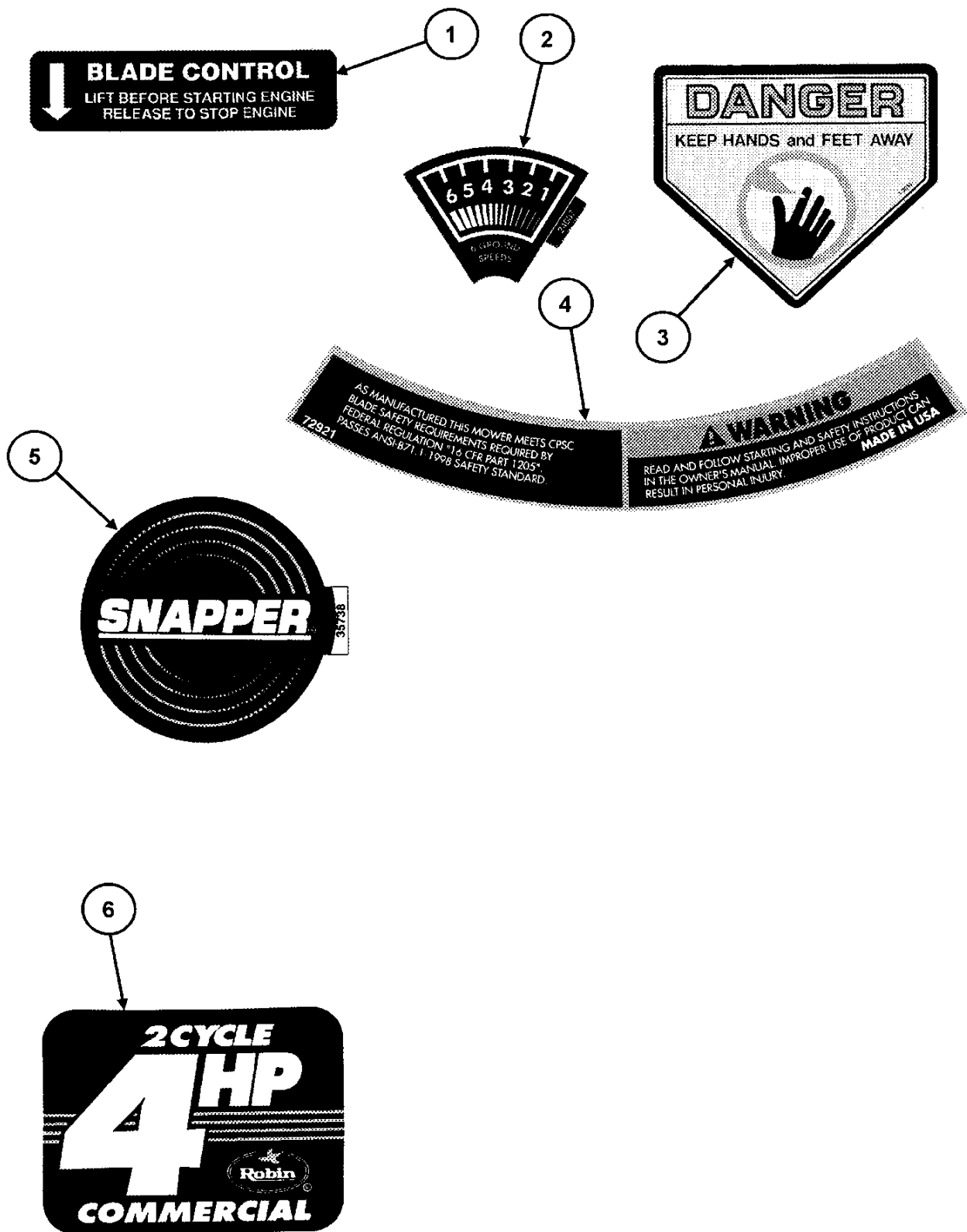
SIDE CHUTE ADAPTER, BRACKETS



SIDE CHUTE ADAPTER, BRACKETS

Item	Part No	Qty	Description	Note
1	7016050	1	ADAPTER, Grass Bag	
2	7024340	1	SPACER, .316 I.D. x .375 O.D. x .310 thick	
3	7024085	2	NUT, 5/16-18 Wing (Nylon Patch)	
4	7011791	2	RETAINER, 5/16" Bolt	
5	7091508	2	BOLT, 5/16-18 x 3/4" Short Neck Carriage GR5	<i>Was 90001</i>
6	7042965		KIT, Side Chute (Incl. a quantity of 10 of item 16)	<i>Was 60955</i>
7	7042965	1	CHUTE, Side	
8	7091076	2	WASHER, 5/16" Flat	
9	7090951	1	NUT, 5/16-18 Hex Large Flange Center Lock	
10	7058037	1	ASSEMBLY, Grass Bag Adapter (Incl. items 11 thru 18)	
11	7047081	1	ADAPTER, Grass Bag	
12	7047082	1	BRACKET, Rope Pulley	
13	7091984	1	SCREW, 5/16-18 x 1-1/4" Pan Head Machine	
14	7012306	1	BUSHING, Flange	
15	7024228	1	PULLEY, Plastic	
16	7091601	1	NUT, 5/16-18 Hex Flange Lock GR5	<i>Was 91070</i>
17	7072107	4	WASHER, 15/32" Flat	
18	7013860	4	RIVET, 3/16 x .344	
19	7047101	1	BRACE, Bag Adapter	
20	7091835	1	BOLT, M6 1.0 x 12mm Hex Head Cap	

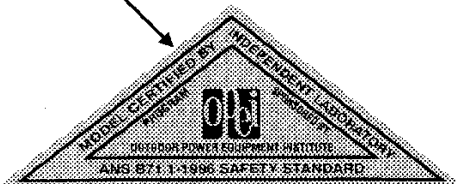
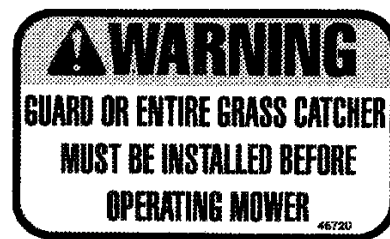
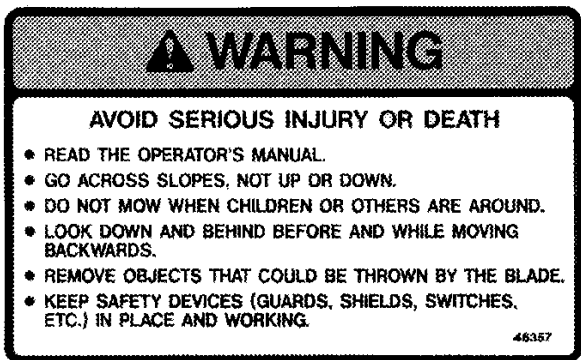
Footnotes



DECALS PT. 1

Item	Part No	Qty	Description	Note
1	7024211	1	DECAL, Blade Control	
2	7024087	1	DECAL, Speed Select	
3	7013010	1	DECAL, Danger, Cut Finger	
4	7072921	1	DECAL, Deck Warning	
5	7035738	1	DECAL, SNAPPER (3.38 Dia.) (Black & Gold)	
6	7035737	1	DECAL, 4HP 2CY (Black & Gold)	

Footnotes



DECALS PT. 2

Item	Part No	Qty	Description	Note
7	7074386	1	DECAL, SNAPPER (Commercial)	
8	7046357	1	DECAL, Warning	
9	7046720	1	DECAL, Warning Chute/Deflector	
10	7073335	1	DECAL, OPEI	
11	7029470	1	DECAL, Patent Numbers	

Footnotes

WARNING

READ OWNER'S MANUAL BEFORE USING. USE ONLY WITH COLLECTOR BAG IN PLACE. SAFETY RODS MUST BE IN PLACE WHILE OPERATING.

TO ADJUST:

- 1. PLACE MOWER AND THATCHERIZER ON FLAT SURFACE (I.E. DRIVEWAY, SIDEWALK).
- 2. LOOSEN HEX LOCKNUTS ON MOUNTING BRACKETS; ALSO GAUGE WHEEL SETSCREW.
- 3. ADJUST TINE TRAY TO PLACE TINE TIPS APPROXIMATELY 1/2" ABOVE FLAT SURFACE WHEN IN FREE POSITION AND TO TOUCH
- 4. TIGHTEN HEX LOCKNUTS AND SETSCREW.

FLAT SURFACE WHEN MANUALLY PUSHED BACK.

1-4115

12

Thatcherizer®

SNAPPER, INC.
McDonough, Georgia
COVERED BY U.S. PATENT 4,317,327

13

CAUTION

IF BATTERY IS REMOVED, DO NOT OPERATE ENGINE WITHOUT INSULATING POS+ BATTERY CABLE TERMINAL WITH ELECTRICAL TAPE, OR SPARKING FROM BATTERY CABLES CAN RESULT.

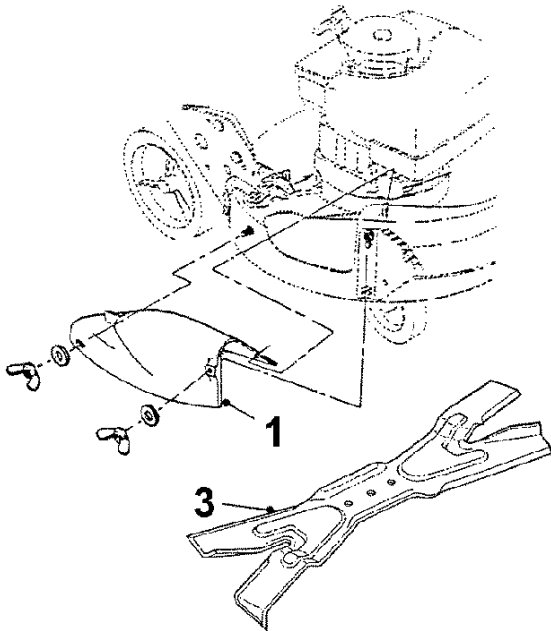
14

DECALS PT. 3

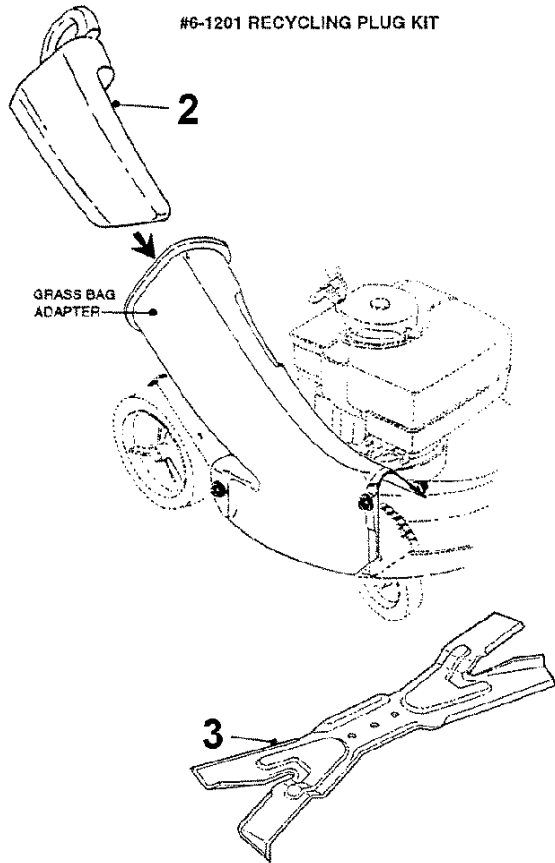
Item	Part No	Qty	Description	Note
12	7014115	1	DECAL, Warning Thatcherizer	
13	7014062	1	DECAL, Thatcherizer	
14	7016134	1	DECAL, Caution Tag	<i>not used in 2003 model year</i>

Footnotes

#6-1200 RECYCLING COVER KIT



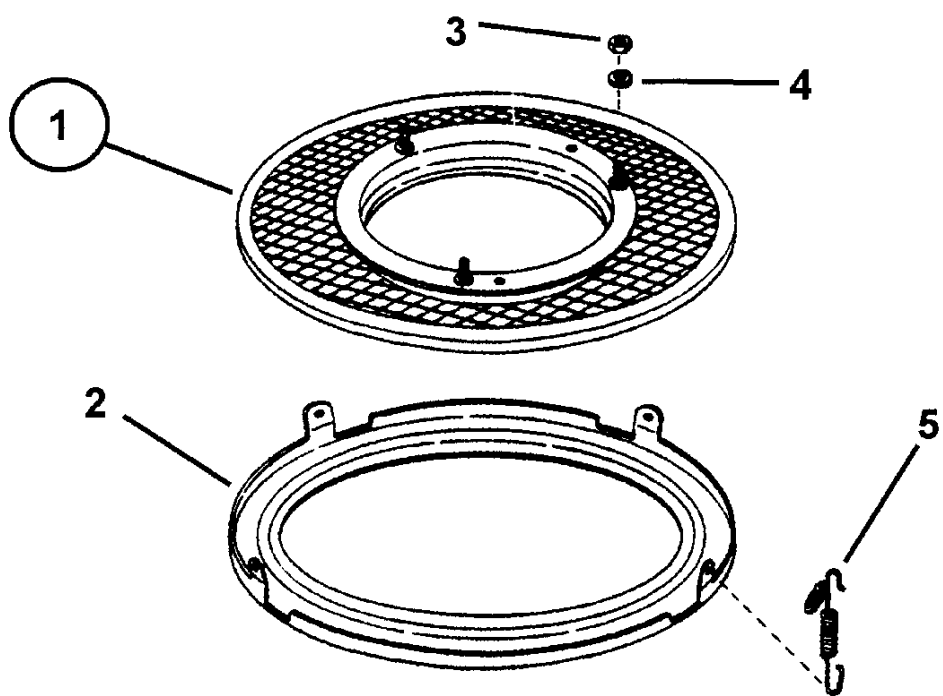
#6-1201 RECYCLING PLUG KIT



RECYCLING KITS ACCESSORY

Item	Part No	Qty	Description	Note
--	7061200		KIT, Recycling Cover (Includes the 2 items below)	<i>for 4HP & above engines</i>
--	7061201		KIT, Recycling Plug (Incl. items 1 & 2 below)	<i>for 4HP & above engines</i>
1	7029149	1	COVER, 21" Deck	
2	7016814	1	PLUG, Chute Adapter	
3	7026407	1	BLADE, 21" Quad Edge Ninja	

Footnotes

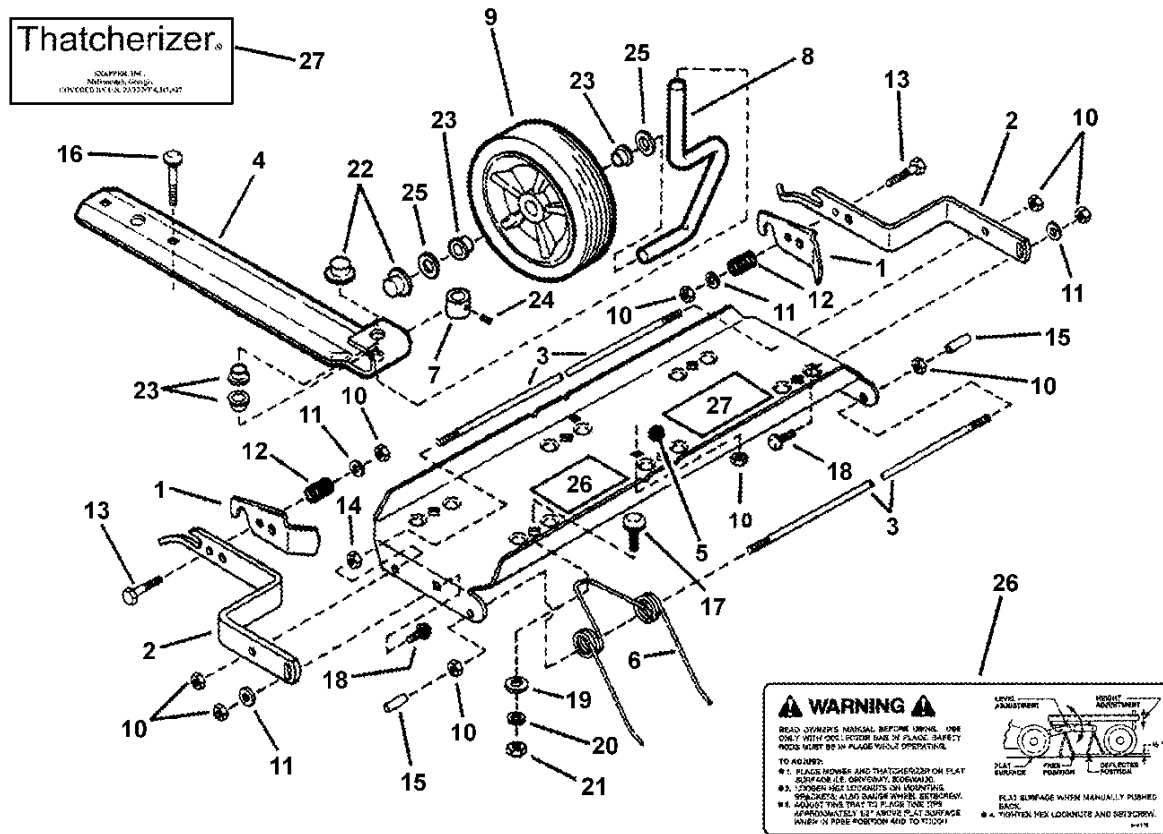


SNAPPERIZER ACCESSORY

Item	Part No	Qty	Description	Note
--	7060440	1	KIT, Snapperizer	<i>used on Hi-Vac Rolled Under-Lip Decks) (Incl. items 1 thru 5)</i>
1	7051243	1	SCREEN, Fastener Assembly	
2	7039759	1	RING, Bottom (21.77" Inside Diameter)	
3	7091297	3	NUT, 5/16-24 Hex	<i>Was 90223</i>
4	7090187	3	WASHER, 5/16" Split Lock	<i>only 1 shown</i>
5	7012587	3	SPRING	<i>only 1 shown</i>

Footnotes

THATCHERIZER ACCESSORY



THATCHERIZER ACCESSORY

Item	Part No	Qty	Description	Note
--	7061256	1	KIT, Thatcherizer (Incl. items 1 thru 27)	
1	7032891	2	LATCH, Frame Attachment	
2A	7026572	1	BAR, Mount (Right Hand)	
2B	7026573	1	BAR, Mount (Left Hand)	
3	7018499	2	ROD, Tine	
4	7018700	1	SUPPORT, Wheel	
5	7019948	1	TRAY, Tine	
6	7018496	6	KIT, Tine Thatching Spring	Was 60574
7	7014100	1	BUSHING, Wheel Adjuster	
8	7018493	1	AXLE, Wheel	
9	7018189	1	WHEEL, 7.00 x 1.50 Gage	
10	7091705	10	NUT, 1/4-20 Hex Top Lock	Was 90761 (only 9 shown)
11	7091294	4	WASHER, 1/4" Flat	Was 90055
12	7022425	2	SPRING, Compression	
13	7090825	2	BOLT, 1/4-20 x 1-1/4" Hex, GR5	
14	7091576	2	NUT, 1/4-20 Hex, GR5	Was 90063
15	7022424	2	CAP, Vinyl	
16	7090015	2	BOLT, 1/4-20 x 1-3/4" Square Neck Carriage	only 1 shown
17	7091303	6	BOLT, 5/16-18 x 1" Square Neck Carriage, GR5	Was 90383 (only 1 shown)
18	7091530	2	BOLT, 1/4-20 x 3/4" Square Neck Carriage, GR5	Was 90074
19	7014098	6	WASHER, Reinforcing	only 1 shown
20	7090187	6	WASHER, 5/16" Split Lock	only 1 shown
21	7091511	6	NUT, 5/16-18 Hex, GR5	Was 90196 (only 1 shown)
22	7014101	2	NUT, 1/2" Push	
23	7014342	4	BEARING, Nyliner	
24	7014103	1	SCREW, 5/16-18 x 1/4" Set	
25	7090250	2	WASHER, 1/2" Flat	
26	7014115	1	DECAL, Adjustment	
27	7014062	1	DECAL, Thatcherizer	

Footnotes

Parts Manual for

SNAPPER®

21" STEEL DECK WALK BEHIND COMMERCIAL SERIES 17

IT IS THE POLICY OF SNAPPER TO IMPROVE ITS PRODUCTS
WHENEVER IT IS POSSIBLE AND PRACTICAL TO DO SO. WE
RESERVE THE RIGHT TO MAKE CHANGES OR ADD IMPROVEMENTS
AT ANY TIME WITHOUT INCURRING ANY OBLIGATION TO MAKE
SUCH CHANGES ON PRODUCTS MANUFACTURED PREVIOUSLY.

SNAPPER® McDonough, GA, 30253 U.S.A.