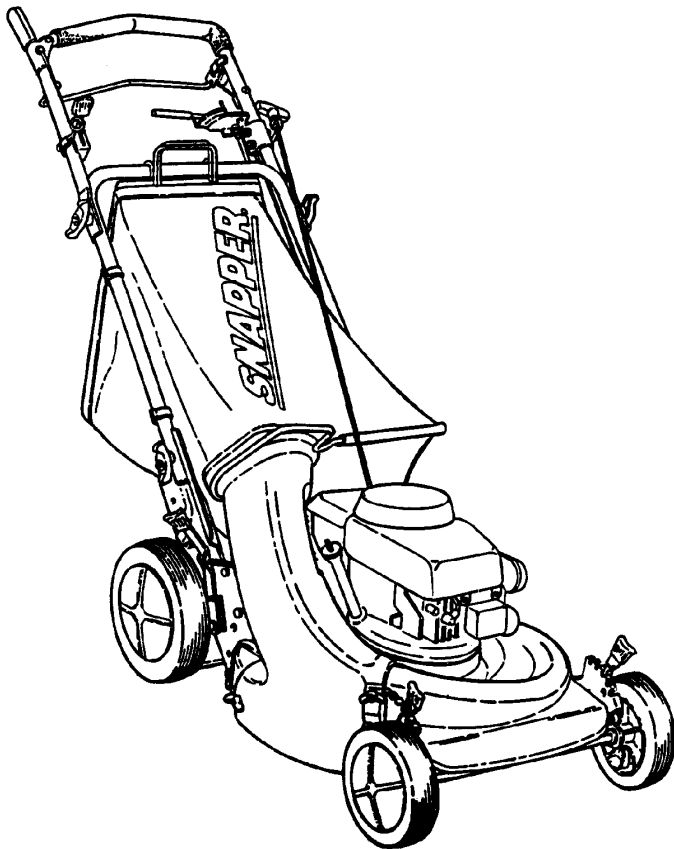


Parts Manual for  
**SNAPPER**<sup>®</sup>

**21" STEEL DECK WALK BEHIND MOWERS**  
**SERIES 12, 14, 15, & 16**



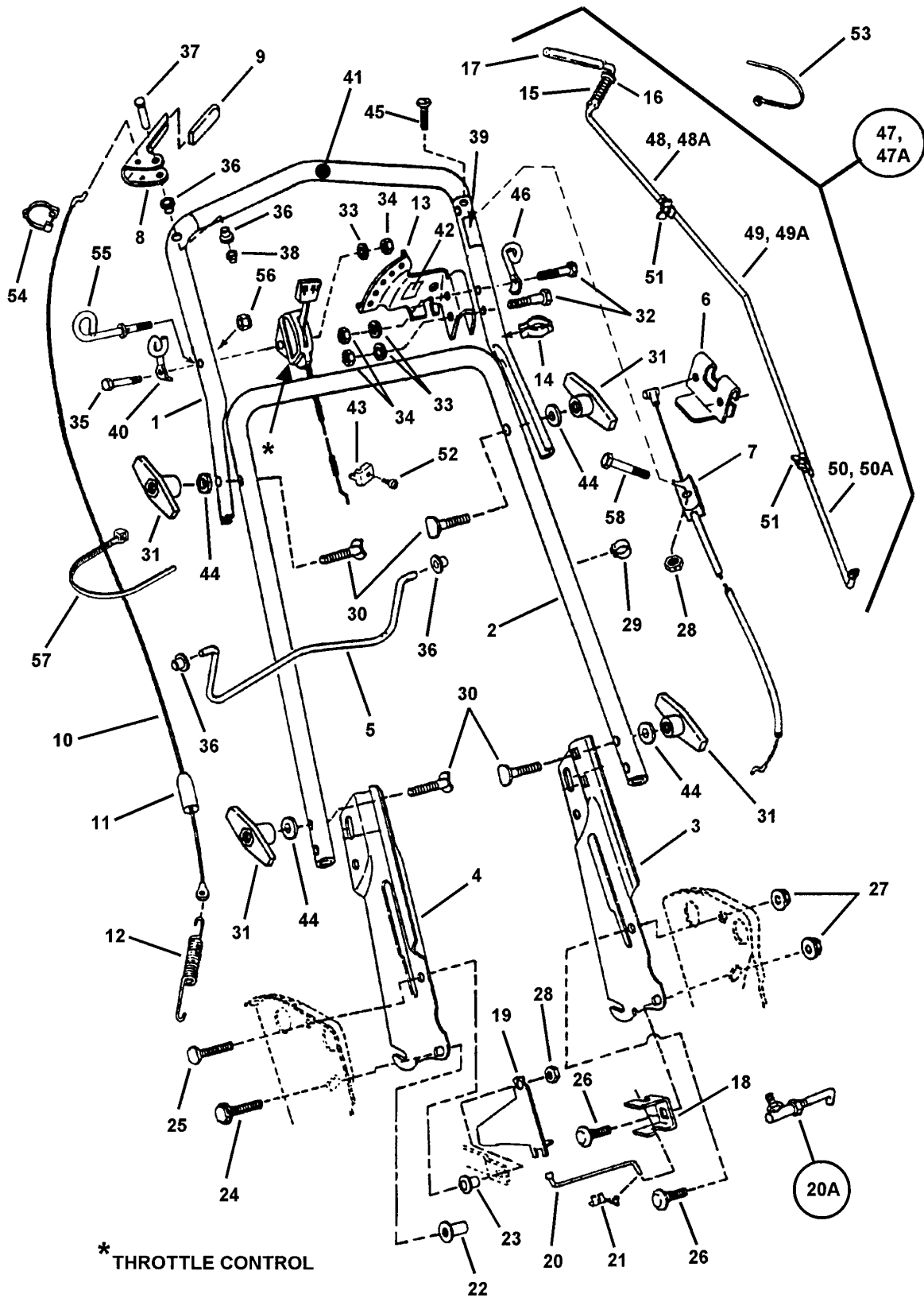
PUSH MODELS	PROPELLED MODELS
215012	EFRP216012TV
215014	EFRP216512TV
215015	EFRP216516BV
216015	EFRP216516TV
216515BV	EP216012
FR215014	FRP216012
N215012	FRP216012TV
NR215012	FRP216016
R215012	FRP216512TV
	NP216012
	NRP215012
	P216012
	P216012E
	P216012TV
	P216512BV
	P216512TV
	RP215012
	RP215012T2
	RP216012
	WP216512BV

**SNAPPER** McDonough, GA, 30253 U.S.A.



<b>PAGE</b>	<b>GROUP</b>
4	Handles & Controls
10	Cutting Deck, Blades
14	Front Wheel Bracket
16	Rear Wheel Brackets, Latches
18	Front Wheels
20	Rear Wheels
22	Drive System Self-Propelled
26	Transmission (Differential)
28	Throttle Controls (1997 Thru 2001 Models)
30	Decals (Part 1)
32	Decals (Part 2)
34	Decals (Part 3)
36	Decals (Part 4)
38	Side Chute, Adapter
40	Accessory - Grass Bag
42	Accessory - Snapperizer
44	Accessory - Recycling Kits
46	Thatcherizer - Accessory
48	Electric Start

**Handles & Controls**



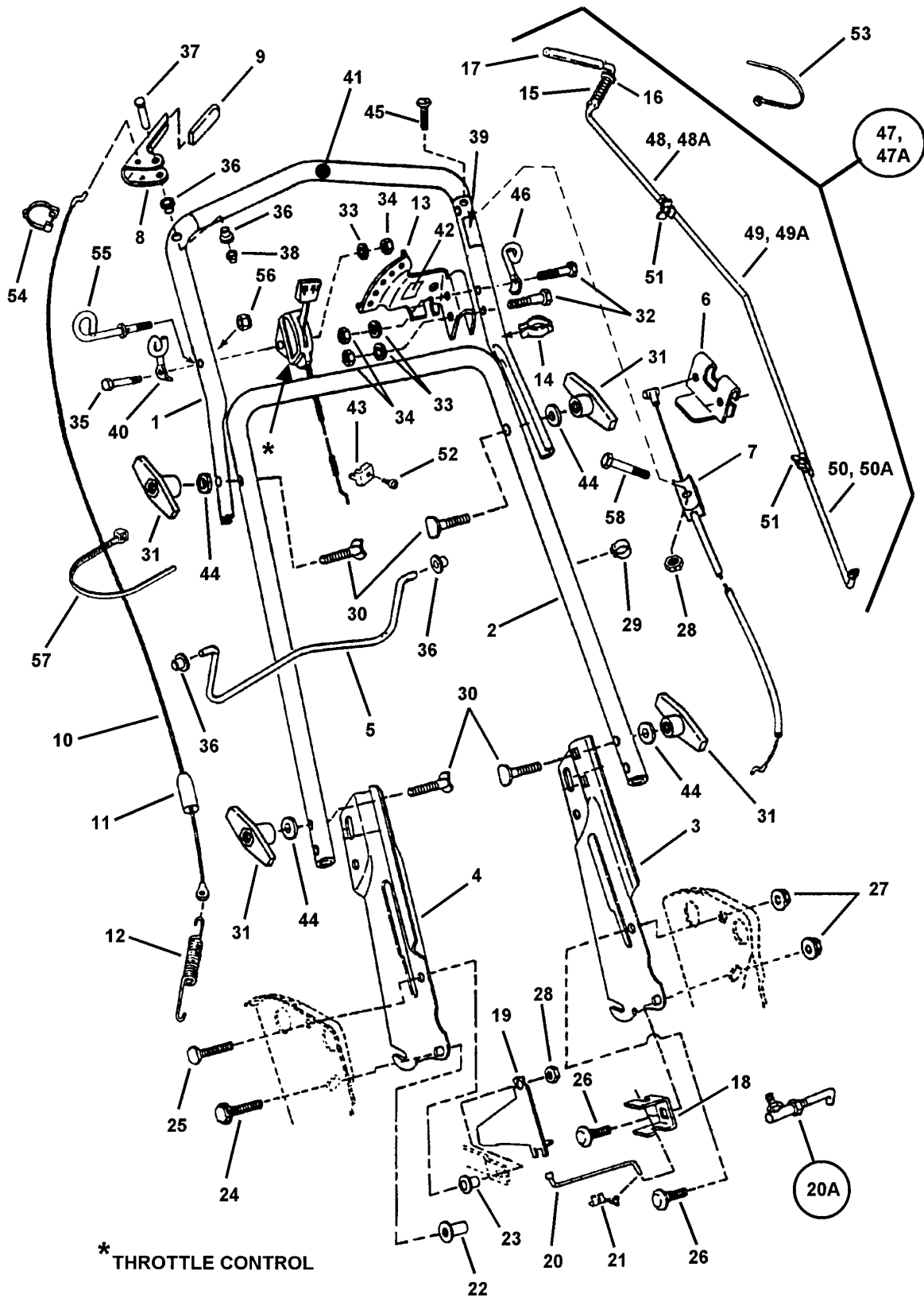
## Handles & Controls

Item	Part No	Qty	Description	Note
1	7046914		HANDLE, Upper	Was 24889
	7035252		HANDLE, Upper	NRP215012, RP215012
	7074384		HANDLE, Upper	Was 33473, Note #2
	7074254		HANDLE, Upper	215015, 216015, 216515BV
	7046914		HANDLE, Upper	Used on P216012E
2	7024890		HANDLE, Middle	Note #1
	7036350		HANDLE, Middle	Note #3
3	7033985		HANDLE, Lower Left Hand	Note #1
	7046502		HANDLE, Lower Left Hand	Was 35343, Note #3
	7046502		HANDLE, Lower Left Hand	215015, 216015, 216515BV
4	7033986		HANDLE, Lower Right Hand	Note #1
	7035342		HANDLE, Lower Right Hand	Note #4
5	7017072		CONTROL, Blade	Note #3
	7047011		CONTROL, Blade	215015, 216015, 216515BV
6	7033904		CLIP, Blade Control	Used on All Except 215015
	7034872		CLIP, Blade Control	215015, 216015, 216515BV
7	7025036		CABLE, Blade Control (50-1/2" Long)	Note #1
	7026136		CABLE, Blade Control (74-1/16" Long)	Used on RP215012T2
	7035808		CABLE, Blade Control (46-1/16" Long)	Note #3
	7035840		CABLE, Blade Control (60" Long)	P216012TV, FRP216012TV, EFRP216012TV
	7072933		CABLE, Blade Control (49-1/4" Long)	215015, 216015, 216515BV
8	7032826		HANDLE, Wheel Drive	Self-Propelled Models
9	7014307		GRIP, Wheel Drive Handle	Self-Propelled Models
	7029775		GRIP, Wheel Drive Handle	European Models
10	7025013		CABLE, Clutch Pull (Z-BEND) (41-7/16" Long)	Note #1
	7023134		CABLE, Clutch Pull (Z-BEND) (36-1/16" Long)	NRP215012, RP215012
11	7012121		COVER, Vinyl	Self-Propelled Models
12	7012122		SPRING, Clutch	Self-Propelled Models
13	7038478		SECTOR, Speed	Self-Propelled Models
14	7024641		TIE, Wire (3)	Self-Propelled Models
15	7012093		SPRING, Speed Control	Self-Propelled Models
16	7090188		WASHER, 3/8" Flat	Self-Propelled Models
17	7023801		GRIP, Speed Control Handle	Note #1
	7023801		GRIP, Speed Control Handle	NRP215012, RP215012
18	7034892		ANCHOR, Speed Control	Self-Propelled Models
19	7032408		GUIDE, Lower V-Belt	Self-Propelled Models
20	7023790		ROD, Transfer	American models

### Footnotes:

Note 1: RP215012T2, RP216012, NP216012, EP216012, P216012, P216012E, P216012TV, P216512BV, FRP216012TV, EFRP216012TV, FRP216012, FRP216016, EFRP216512TV, EFRP216516TV & EFRP216516BV.

Note 2: N215012, 215012, 216015, NR215012, 8215012.



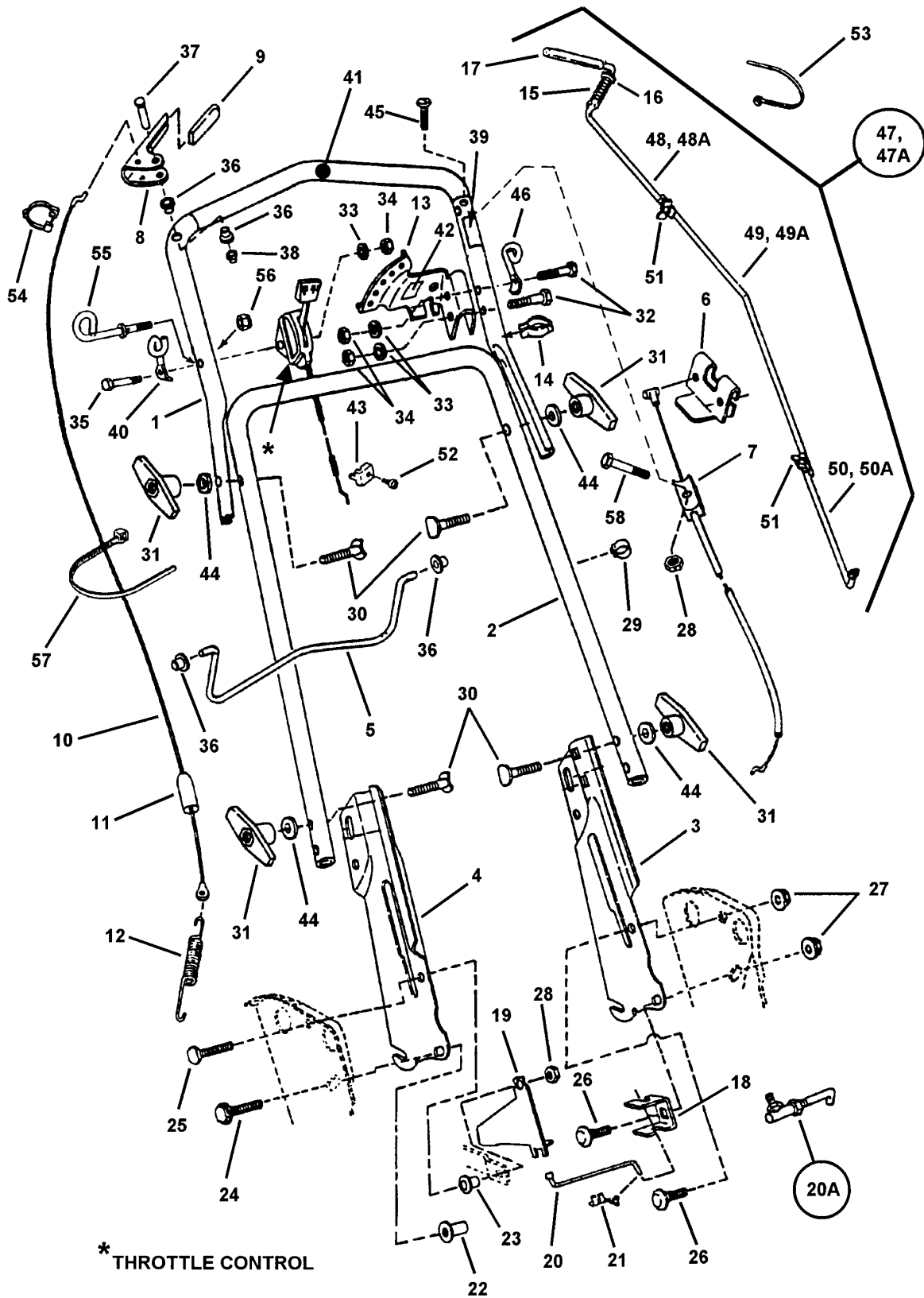
## Handles & Controls

Item	Part No	Qty	Description	Note
20A	7051698		ASSEMBLY, Transfer Rod	<i>European models</i>
21	7010937		CLIP, Transfer Rod	<i>Self-Propelled Models</i>
22	7090895		TEE-NUT, 5/16-18	<i>Self-Propelled Models</i>
23	7012114		BUSHING, Differential	<i>Self-Propelled Models</i>
24	7090595		BOLT, 5/16-18 x 3/4" Flange Lock, Grade 5	
25	7090238		SCREW, 5/16-24 x 1" Hex Cap, Grade 5	
26	7090799		BOLT, 5/16-18 x 5/8" Carriage, Grade 5	<i>Was 91026 (Used on All Models)</i>
27	7091601		NUT, 5/16-18 Hex Flange Lock, Grade 5	<i>Was 91070 (Used on All Models)</i>
28	7091606		NUT, 5/16-24 Center Lock, Grade 5	<i>Was 91074 (Used on All Models)</i>
28	7091606		NUT, 5/16-24 Center Lock, Grade 5	<i>Was 91074 (Used on All Models)</i>
29	7023813		CLIP, Cable/Wiring	
30	7091740	4	SCREW, 5/16-18 x 1-7/8 Curved Head, Grade 2	<i>Was 91189 (Used on All Models)</i>
31	7035744		T-KNOB, 5/16-18	
32	7079577		SCREW, 1/4-20 x 1-1/2 Hex Cap, Grade 5	
33	7090053		WASHER, 1/4 Internal Tooth Lock	<i>Was 91023 (Used on All Models)</i>
34	7091576		NUT, 1/4-20 Hex, Grade 5 or B	<i>Was 91100 (Used on All Models)</i>
35	7090505		SCREW, 1/4-20 x 2" Hex Cap, Grade 5	
36	7014343	4	BUSHING	
37	7023792		PIN, 1/4" X 1-1/2"	
38	7091020		PUSH-NUT, 1/4"	
39	7024211		DECAL, Blade Control (L.H. Side)	<i>Used on All (Except European)</i>
	7029782		DECAL, Operator's Presence Control	<i>Used on European Models</i>
	7029785		DECAL, Handle International Warning	<i>Used on European Models</i>
40	7026141		GUIDE, Rope	
41	7075634		GRIP, Foam	<i>Was 73115, Note #1</i>
	7022460		GRIP, Foam	<i>Used on P216012E &amp; P216512BV</i>
42	7024087		DECAL, Speed Select	<i>Except European</i>
	7029783		DECAL, Speed Select	<i>European Models</i>
43	7023153		CLAMP, Casing	
44	7090391		WASHER, 5/16 Internal Tooth Lock	
45	7090545		SCREW, 5/16-24 x 1-1/2" Machine, Grade 5	
46	7022779		GUIDE, Rope	<i>Used on Grass Bag Models</i>
47	7029217		ASSEMBLY, Speed Control Lever	<i>(Includes Items 48 thru 51), Note #1</i>
47A	7029233		ASSEMBLY, Speed Control Lever	<i>Includes Items 48A, 49A, 50A &amp; 51</i>
48	7029217		ROD, Upper	<i>Was 29153, Note #1</i>
48A	7029189		ROD, Upper	<i>NRP215012, RP215012</i>
49	7029217		ROD, Intermediate	<i>Was 29154, Note #1</i>
49A	7029190		ROD, Intermediate	<i>NRP215012, RP215012</i>

### Footnotes:

Note 1: RP215012T2, RP216012, NP216012, EP216012, P216012, P216012E, P216012TV, P216512BV, FRP216012TV, EFRP216012TV, FRP216012, FRP216016, EFRP216512TV, EFRP216516TV & EFRP216516BV.

Note 2: N215012, 215012, 216015, NR215012, 8215012.





## Handles & Controls

---

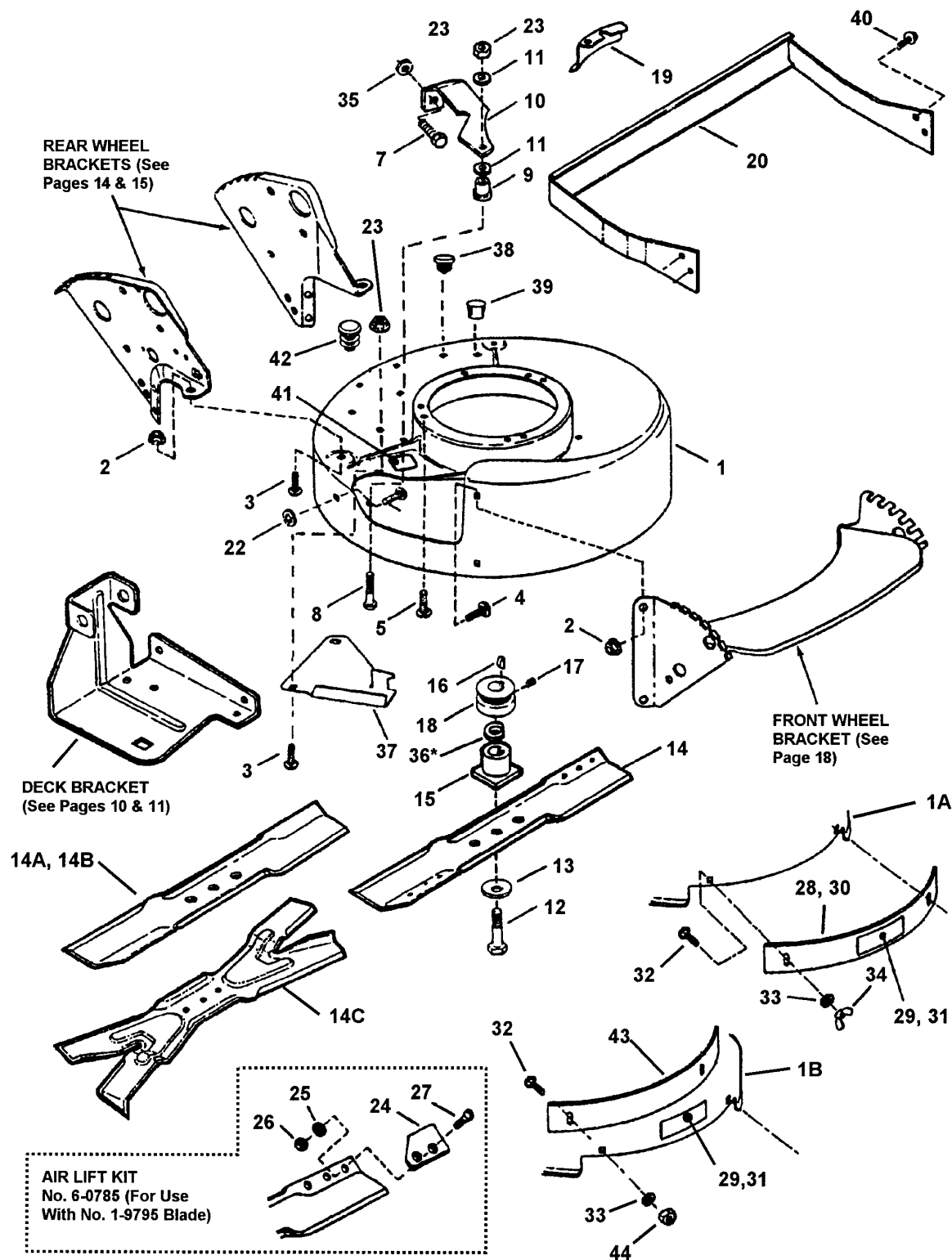
Item	Part No	Qty	Description	Note
50	7029217		ROD, Lower	Was 29155, Note #1
50A	7029191		ROD, Lower	NRP215012, RP215012
51	7029161	2	NUT, 1/4-20 Wing	Used on Item 47 & 47A
52	7023154		SCREW, #10-32 x 5/8" Self-Tapping	Used on All Models
53	7024669		TIE, Wire	Self-Propelled Models
54	7026219		CLAMP	Self-Propelled Models
55	7046465		GUIDE, Rope	Used on: 215014.
56	7076978		NUT, 1/4-20 Nyloc	Used on: 215014.
57	7012080		CABLE-TIE, 7"	Used on: 215014.
58	7079577		SCREW, 1/4-20 x 1-1/2" Hex Head Cap, Grade 5	Used on: 215014.
--			Note 3: NRP215012, RP215012, N215012, 215012, 216015, NR215012, 8215012.	
--			Note 4: NRP215012, RP2150122, N215012, 215012, 216015, NR215012, 8215012, 215015, 216015, 216515BV.	

### Footnotes:

Note 1: RP215012T2, RP216012, NP216012, EP216012, P216012, P216012E, P216012TV, P216512BV, FRP216012TV, EFRP216012TV, FRP216012, FRP216016, EFRP216512TV, EFRP216516TV & EFRP216516BV.

Note 2: N215012, 215012, 216015, NR215012, 8215012.

# Cutting Deck, Blades

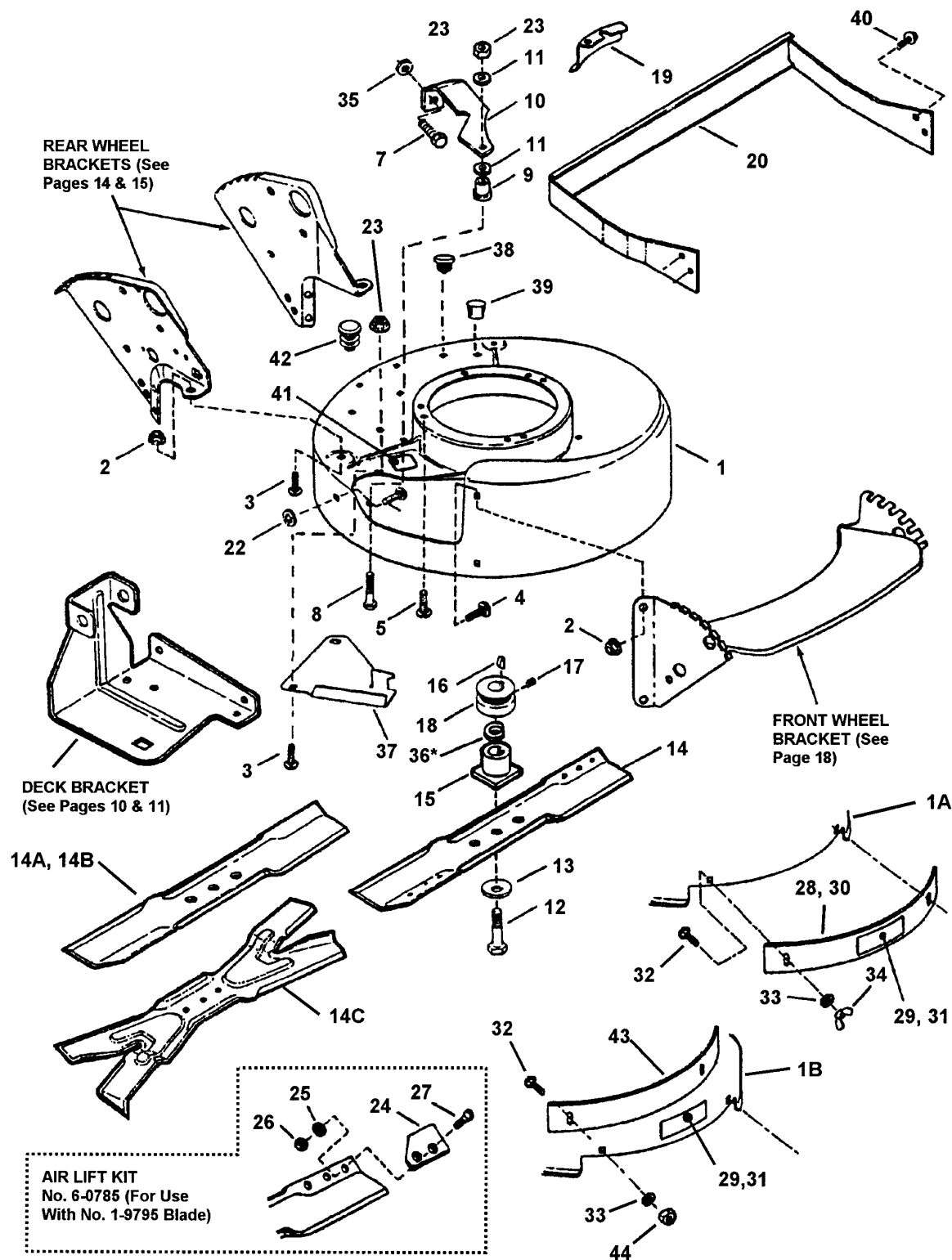


## Cutting Deck, Blades

Item	Part No	Qty	Description	Note
1	7057663		DECK, Mower	<i>Painted deck with decals</i>
IA&E	7058540		DECK, Mower	<i>FR &amp; EFR Models; Painted Baffle Type Deck w/Decals</i>
2	7091601	10	NUT, 5/16-18 Hex Flange Lock, Grade 5	<i>Was 90585</i>
3	7090731	10	BOLT, 5/16-18 x 1/2" Short Neck Carriage (Gr. 5)	
4	7091169		BOLT, Bolt 5/16-18 x 1-1/8" Short Neck Carriage, Grade 5	
5	7090324	3	SCREW, 3/8-16 x 1" Self-Tapping (Engine Mounting)	
7	7090534		SCREW, 5/16-18 x 1/2" Hex Head Cap, Grade 5	
8	7090702		BOLT, 5/16-18 x 2-1/4" Hex Flange Lock	
9	7013320		BUSHING	
10	7033863		COVER, Belt	<i>(European Models)</i>
11	7031961	2	WASHER, 7/16 Flat	
12	7090483		SCREW, 3/8-24 x 1-3/4" Hex Head Cap, Grade 5	
13	7012063		WASHER, Cone (2)	
14	7019795		BLADE, Cutter (European)	
14A	7017168		BLADE, Cutter (Mulching)	
14B	7026691		BLADE, Cutter (Standard Lift)	
14C	7026407		BLADE, Cutter (Quad Edge - Ninja)	
15	7015626		HUB, Blade Drive 25mm	
16	7015894		KEY, Woodruff #506 (Briggs)	
17	7090201		SCREW, 5/16-18 x 5/16" Hex Socket Set	
18	7015780		PULLEY, Engine (25mm I.D. x 2-1/8" O.D.)	
19	7031968		SHIELD, Belt Opening Cover	<i>(Push Models Only)</i>
20	7041400		STRUCTURE, Fender	<i>(European Models)</i>
21	7091508	2	BOLT, 5/16-18 x 3/4" Short Neck Carriage, Grade 5	<i>Was 90001</i>
22	7011791		RETAINER, 5/16 Bolt	
23	7091601	3	NUT, 5/16-18 Hex Flange Lock, Grade 5	<i>Was 91070</i>
	7060785		KIT, Air Lift	<i>(Includes items 24 thru 27)</i>
24	7032558	2	LIFT, Air	
25	7090391	6	WASHER, 5/16 Internal Tooth Lock	
26	7091297	4	NUT, 5/16-24 Hex, Grade 5	<i>Was 90223</i>
27	7090228	4	SCREW, 5/16-24 x 21/32" Machine	
28	7054494		ASSEMBLY, Front Baffle	<i>Used on FRP216012, FRP216012TV, Includes decal</i>
29	7029193		DECAL, Front Baffle	
30	7054493		ASSEMBLY, Front Baffle	<i>Used on EFRP216012TV, EFRP216512TV, Includes decal</i>
31	7036463		DECAL, Front Baffle	

### Footnotes:

# Cutting Deck, Blades



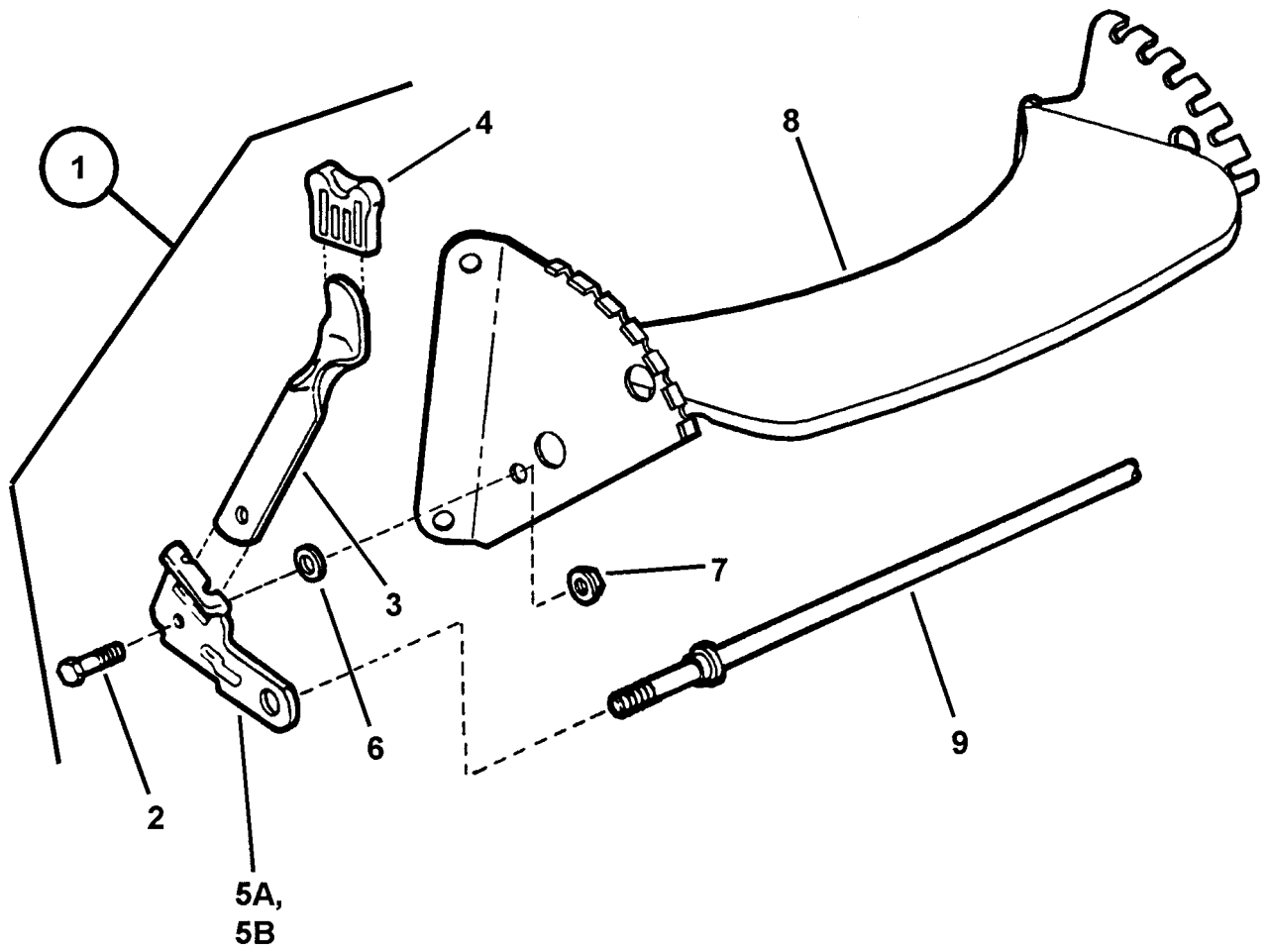
## Cutting Deck, Blades

Item	Part No	Qty	Description	Note
32	7090316	2	BOLT, 5/16-18 x 3/4" Carriage, Grade 5	
33	7090189	2	WASHER, 5/16 Internal/External Lock	
34	7024085	2	WINGNUT, 5/16-18 Nylok	
35	7091076		WASHER, 5/16 Flat	
36	7029000		3/16" THICK SPACER, Blade Hub	("FRP" & "EFRP" Models)
	7044770		1/16" THICK SPACER, Blade Hub	
37	7046446		BAFFLE, Belt	
38	7046471		PLUG, 5/16" Square Hole	(Qty. 3 on Push)
39	7045264		PLUG, 5/16" Round Hole	(Qty. 3 on Push; Qty. 2 on Self-Propelled)
40	7091122	4	SCREW, 1/4-20 X 1/2" Hex Self-Tapping	Was 90539
41	7046720		DECAL, Warning Chute/Deflector	
42	7046780	2	PLUG, Hole	
43	7072426		BAFFLE, Front	(FRP216016, EFRP216516TV and EFRP216516BV Models Only)
44	7090951	2	NUT, 5/16-18 Hex Center Lock	

### Footnotes:

**Front Wheel Bracket**

---



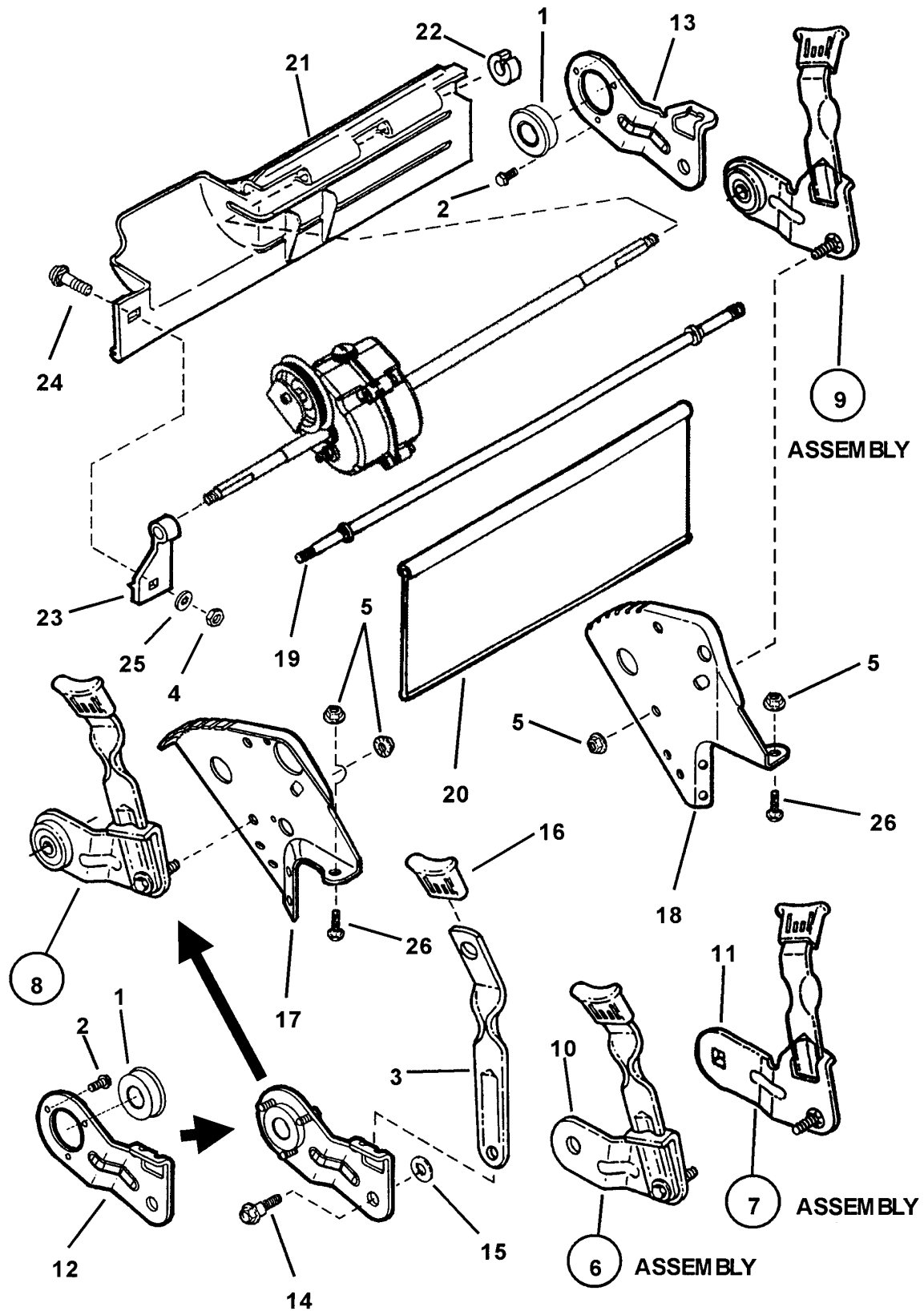
## Front Wheel Bracket

---

Item	Part No	Qty	Description	Note
1	7051886		ASSEMBLY, Arm Right Wheel	<i>(Consists of Items 2,3,4,5A,6)</i>
	7051885		ASSEMBLY, Arm Left Wheel	<i>(Consists of Items 2,3,4,5B,6)</i>
2	7015761		BOLT, 5/16-18 x 3/4" Shoulder	
3	7012325		LATCH, Height	
4	7027702		GRIP, Latch	
5A	7031017		ARM, Right Wheel (Round Hole)	
5B	7031016		ARM, Left Wheel (Square Hole)	<i>(Not shown)</i>
6	7011791		RETAINER, 5/16 Bolt	
7	7091601		NUT, 5/16-18 Hex Flange Lock, Grade 5	<i>Was 91070</i>
8	7074702		BRACKET, Front Wheel	<i>Was 41770</i>
9	7021119		AXLE	

### Footnotes:

Rear Wheel Brackets, Latches





## Rear Wheel Brackets, Latches

Item	Part No	Qty	Description	Note
1	7012312		BEARING, 9/16	
2	7091012	3	SCREW, #10-32 x 3/8" Self-Tapping (Torx)	
3	7035717		LATCH, Height Adjusting (Long)	
4	7091576		NUT, 1/4-20 Hex, Grade 5	Was 90063
5	7091601	6	NUT, 5/16-18 Hex Flange Lock, Grade 5	Was 91070
6	7054228		ASSEMBLY, Wheel Arm (Right Rear)	(Push Models); (Round Opening - Includes Items 3, 10, 14, 15, 16)
7	7054229		ASSEMBLY, Wheel Arm (Left Rear)	(Push Models); (Square Opening - Includes Items 3, 11, 14, 15, 16)
8	7054230		ASSEMBLY, Wheel Arm (Right Rear)	Was 54230 (Self-Propelled models)(Incl. 1, 2, 3, 12, 14, 15 & 16)
9	7054247		ASSEMBLY, Wheel Arm (Left Rear)	Was 54231 (Self-Propelled Models)(Includes 1, 2, 3, 13, 15, & 16)
10	7033776		ARM, Round Axle End (Round Opening) (Right Rear)	(Push Models)
11	7033775		ARM, Square Axle End (Square Opening) (Left Rear)	(Push Models)
12	7032722		ARM, Wheel Right Rear	(Self Propelled Models)
13	7032723		ARM, Wheel Left Rear	(Self Propelled Models)
14	7011078		BOLT, 5/16-18 x 1" Shoulder	
15	7011791		RETAINER, 5/16 Bolt	
16	7027702		GRIP, Latch	
17	7033494		BRACKET, Right Rear Wheel	
18	7033495		BRACKET, Left Rear Wheel	
19	7021119		AXLE	(Rear on Push Models - Also Front on All)
20	7035741		GUARD, Rear Foot	(Push Models)
21	7029008		GUARD, Rear Foot	(Self-Propelled Models); (Except European)
	7017010		GUARD, Rear Foot	(European Models)
22	7023791		RING	
23	7012616		SUPPORT, Foot Guard	
24	7091604		BOLT, 1/4-20 x 1/2" Short Neck Carriage, Grade 5	Was 90005
25	7090053		WASHER, 1/4 Internal Tooth Lock	Was 91023
26	7090731		BOLT, 5/16-18 x 1/2" Short Neck Carriage, Grade 5	

### Footnotes:

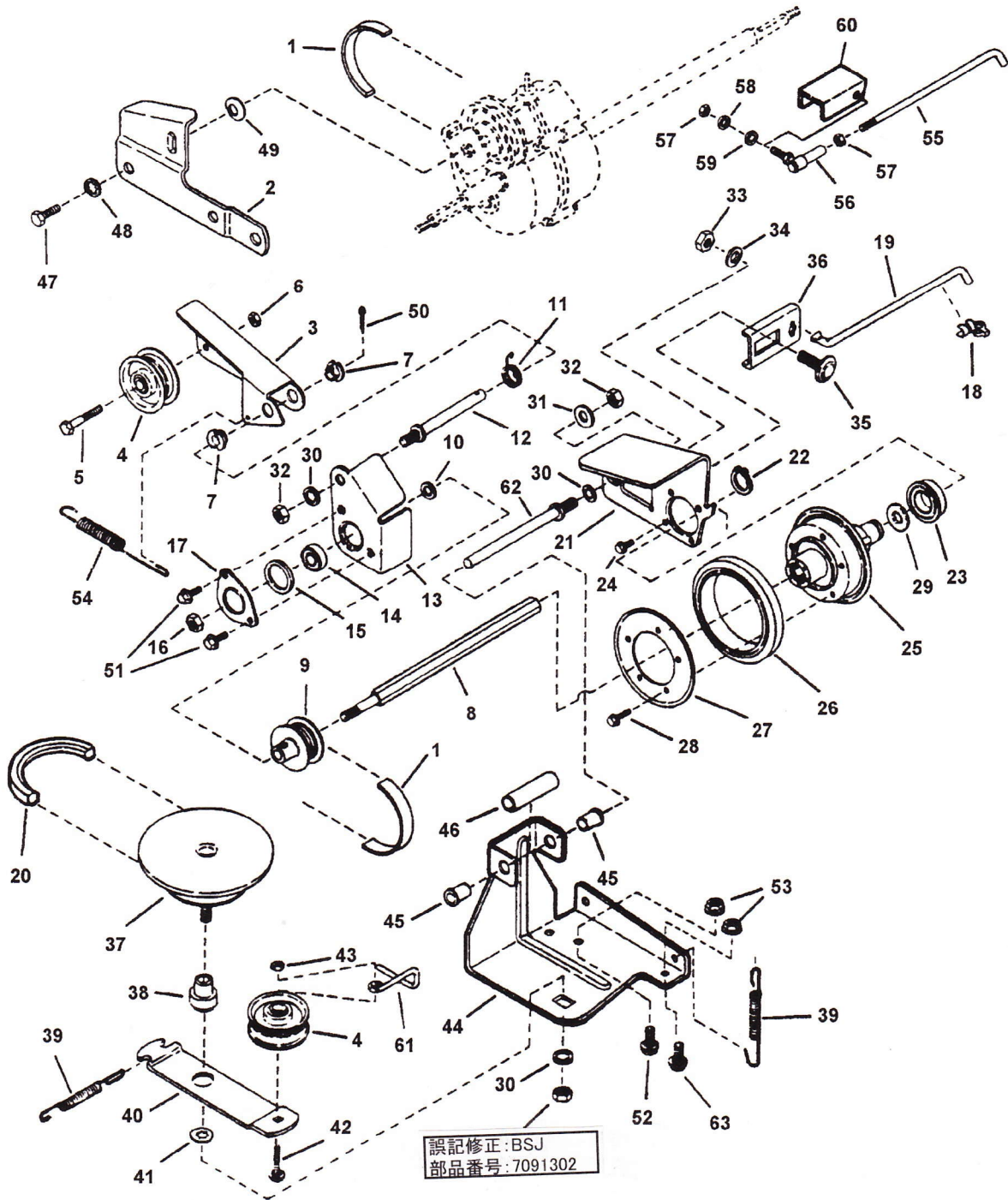
## **Rear Wheels**

---

<b>Item</b>	<b>Part No</b>	<b>Qty</b>	<b>Description</b>	<b>Note</b>
1	7035739		WHEEL, 10 x 1.75 Plastic	<i>(Push Models)</i>
	7035740		WHEEL, 10 x 1.75 Plastic	<i>(RP215012 &amp; NRP215012 Models)</i>
	7041987		WHEEL, 10 1.75 Plastic	<i>(215014, 215015, 216015 &amp; 216515BV Models)</i>
2	7029011		WHEEL, 10 x 1.75 Plastic	<i>(Self-Propelled Except RP215012 &amp; NRP215012)</i>
3	7017829		PLUG, Wheel	
4	7090377		NUT, 7/16-20 Hex (Thin)	
5	7012309		BUSHING, Axle	<i>(All Push Models except 215014 &amp; 215015)</i>
6	7031961		WASHER, 7/16 x 1" O.D. Flat	

### **Footnotes:**

Drive System Self-Propelled

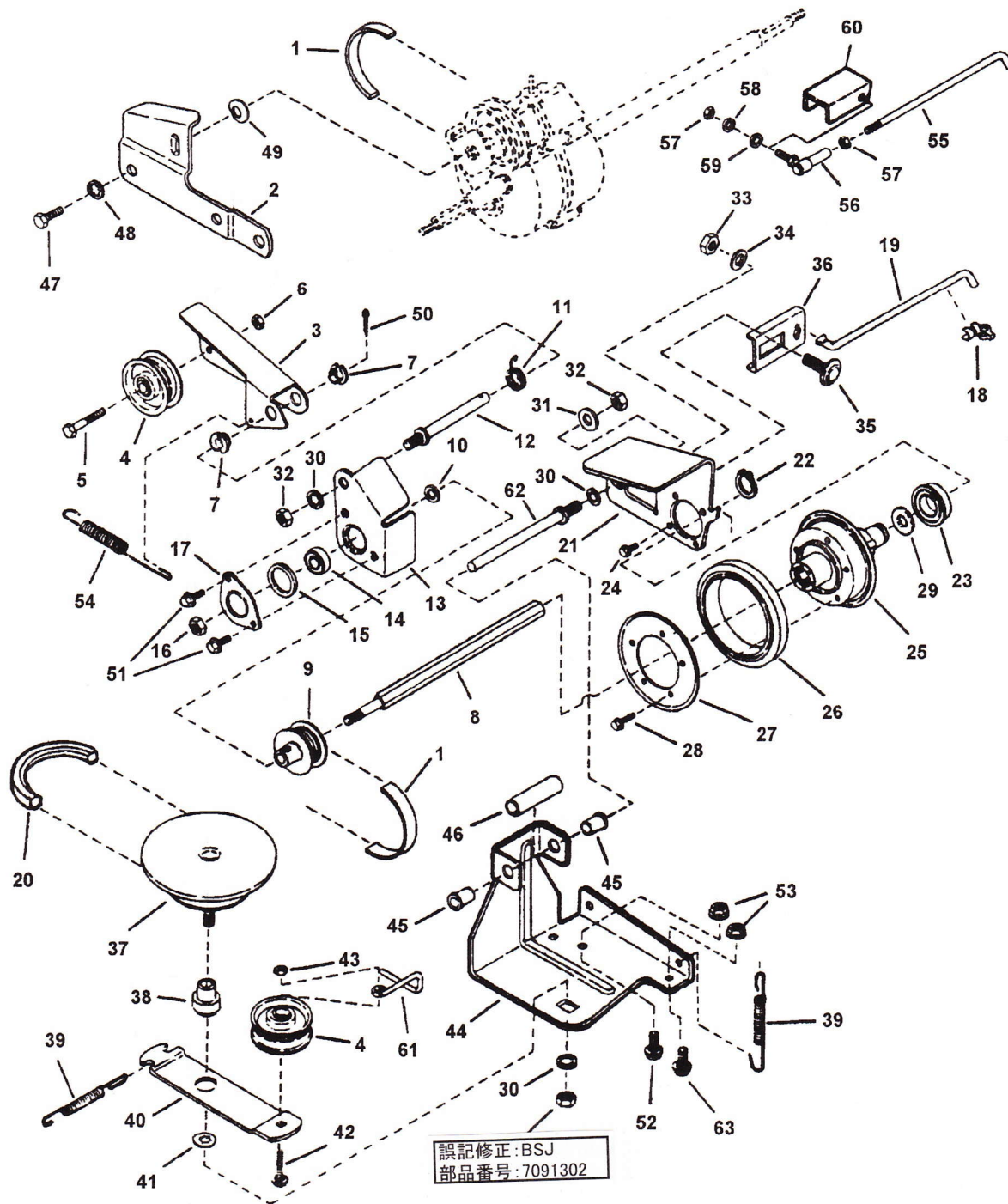


## Drive System Self-Propelled

Item	Part No	Qty	Description	Note
1	7012354		BELT, Poly-Vee	
2	7034179		LINK, Differential	
	7051921		ASSEMBLY, Clutch Idler	(Includes items 3 thru 7)
3	7032832		ARM, Clutch Idler	
4	7012124	2	PULLEY, Idler	
5	7091025		SCREW, 1/4-28 x 1-3/8" Hex Head Cap, Grade 5	
6	7090303		NUT, 1/4-28 Hex Top Lock	
7	7012117	2	BUSHING, 3/8 I.D. Nylon	
8	7072284		SHAFT, Hex Drive	Was 23744
9	7024521		PULLEY, Poly-V (2" O.D.)	
10	7012316		WASHER, 3/8" Flat	
11	7012126		SPRING, Torsion	
12	7012111		STUD	
13	7031873		HOLDER, Bearing (Inner Half)	
14	7028014		BEARING, Ball	
15	7011025		O-RING	
16	7090289		NUT, 3/8-24 Hex Center Lock, Grade 5	
17	7031809		HOLDER, Bearing (Outer Half)	
18	7010937		CLIP, 1/4 Right Arc (Transfer Rod)	
19	7023790		ROD, Transfer (Except European)	
20	7012353		BELT, Engine Drive	
	7053225		ASSEMBLY, Driven Disc	(Includes items 21 thru 29)
21	7035477		PLATE, Thrust	
22	7010746		RING, Retaining	
23	7026693		BEARING, Ball	
24	7090981	4	SCREW, #10-32x1/4" Self-Tapping Machine	
25	7061276		ASSEMBLY, Hub (Includes 11108 Bushing & 90913 Screws)	Was 53217
26	7023364		RING, Driven	
27	7031013		PLATE, Ring Retaining	
28	7090913	5	SCREW, #10-24 x 1/2" Self-Tapping Machine (Torx)	
29	7010121		WASHER, 3/4 Shim	
30	7090390	3	WASHER, 3/8 Internal Tooth Lock	
31	7090122		WASHER, 3/8" Flat	
32	7091630	2	NUT, 3/8-24 Hex, Grade B	Was 90155
33	7091511		NUT, 5/16-18 Hex, Grade 5	Was 90196
34	7090187		WASHER, 5/16 Split Lock	
35	7090316		BOLT, 5/16-18 x 3/4" Carriage, Grade 5	Was 91097

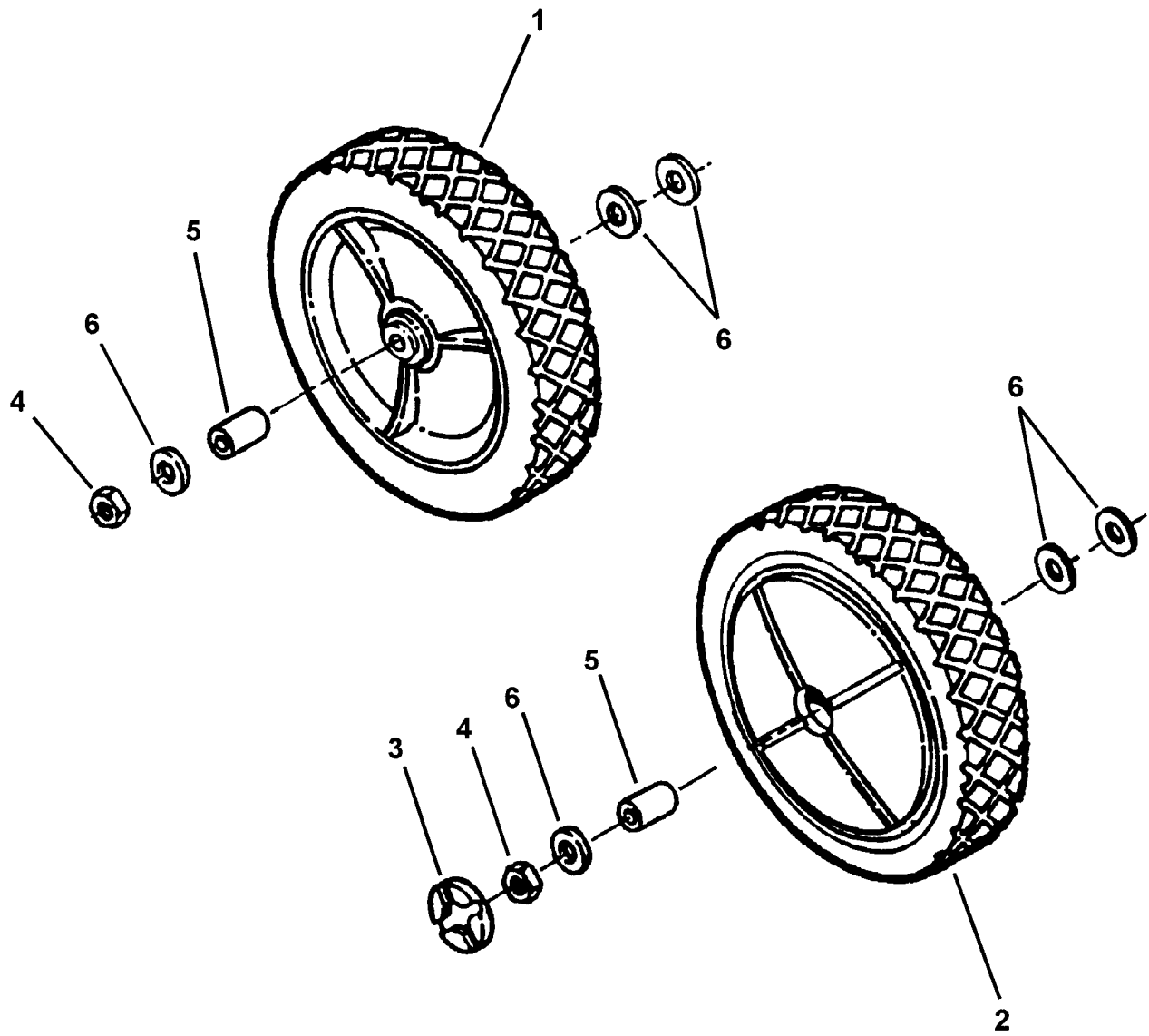
### Footnotes:

Drive System Self-Propelled



Front Wheels

---

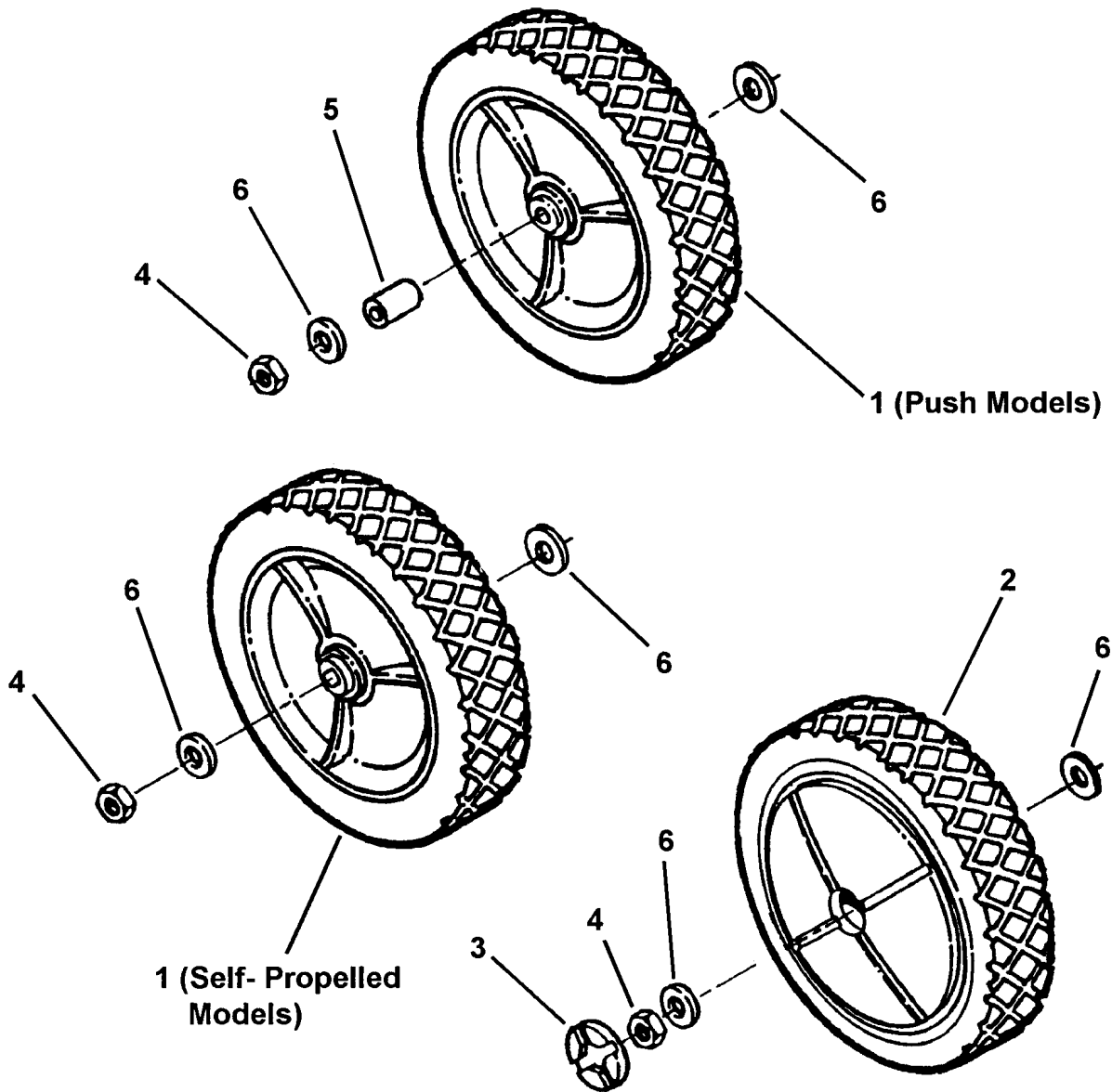


## Front Wheels

---

Item	Part No	Qty	Description	Note
1	7022374		WHEEL, 8 x 1.75 Plastic	<i>(Push &amp; RP215012 &amp; NRP215012 Models)</i> <i>(215014, 215015, 216015 &amp; 216515BV Models.)</i>
	7046990		WHEEL, 8 x 1.75, .442 Bore	
2	7029010		WHEEL, 8 x 1.75 Plastic	<i>(Self-Propelled Except RP215012 &amp; NRP215012)</i>
3	7017829		PLUG, Wheel	
4	7090377		NUT, 7/16-20 Hex (Thin)	
5	7012309		BUSHING, Axle	<i>(All Models except 215014 &amp; 215015)</i>
6	7031961		WASHER, 7/16 x 1" O.D. Flat	

### Footnotes:



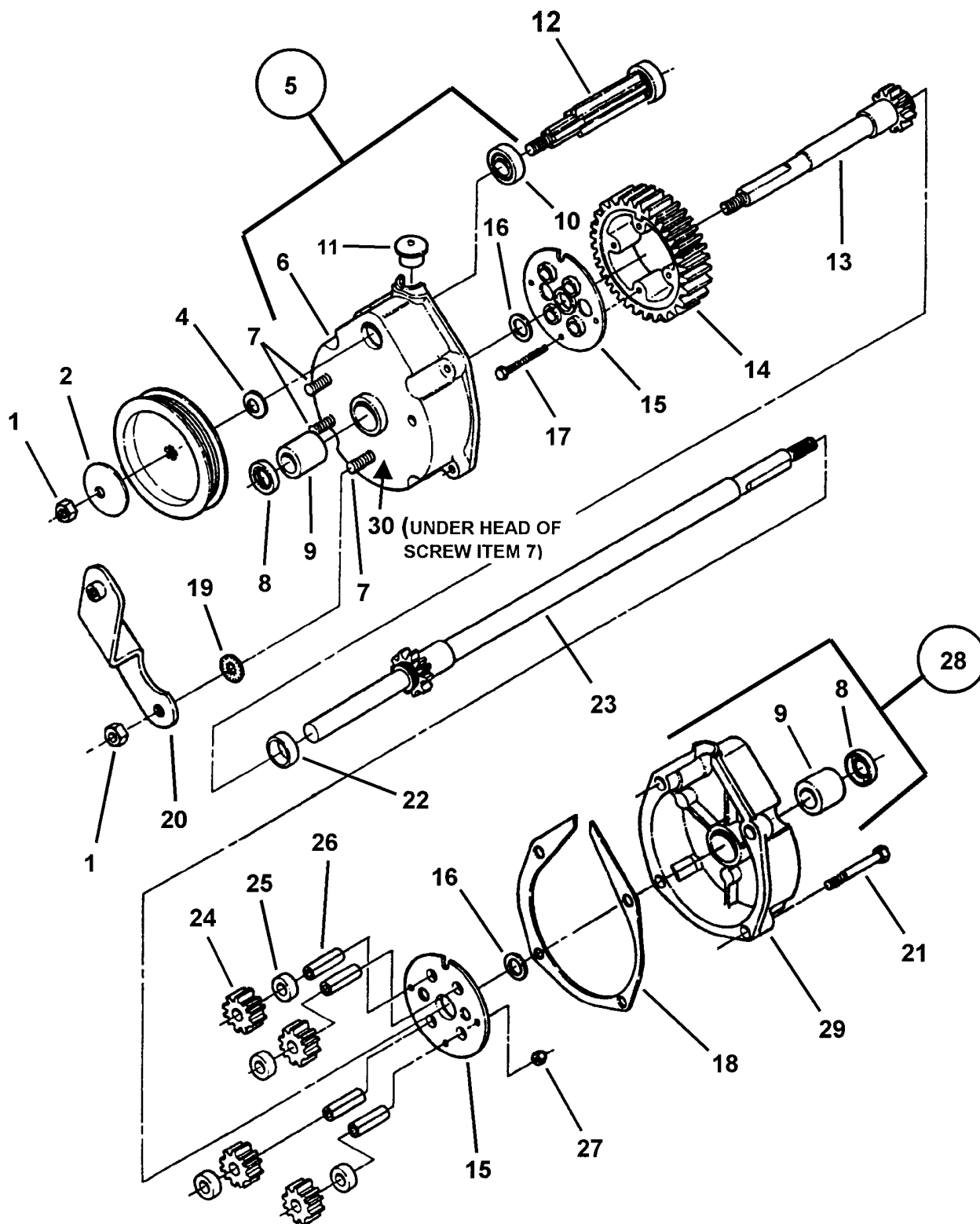


## Drive System Self-Propelled

Item	Part No	Qty	Description	Note
36	7032831		CONNECTOR, Transfer Rod	
37	7061275		KIT, Drive Disc Assembly	
38	7017696		BUSHING	
39	7029025	2	SPRING (Wheel Drive & Idler)	
40	7032116		ARM, Idler	
41	7013847		RETAINER, 3/8" Bolt	
42	7090947		BOLT, 1/4-20 x 1-1/2" Carriage, Grade 5	
43	7090372		NUT, 1/4-20 Hex Center Lock, Grade 5 or B	
	7052987		ASSEMBLY, Deck Bracket	<i>(Includes items 44 thru 46)</i>
44	7033774		BRACKET, Deck	
45	7012306	2	BUSHING, Flange	
46	7021758		SPACER	
47	7090534		SCREW, 5/16-18 x 1/2" Hex Head Cap, Grade 5	
48	7090391		WASHER, 5/16 Internal Tooth Lock	
49	7011724		WASHER, Spring	
50	7091597		PIN, 3/32 x 1/2" Cotter	<i>Was 90555</i>
51	7091122		SCREW, 1/4-20 x 1/2" Self-Tapping	<i>Was 90539</i>
52	7090731		BOLT, 5/16-18 x 1/2" Short Neck Carriage, Grade 5	
53	7091601		NUT, 5/16-18 Hex Flange Lock, Grade 5	<i>Was 91070</i>
54	7012122		SPRING, Clutch	
55	7015752		LINK, Transfer	<i>Used on Electric Start &amp; European Models Only.</i>
56	7015753		JOINT, Ball	<i>Used on Electric Start &amp; European Models Only.</i>
57	7090095		NUT, 1/4-28 Hex, Grade 5	<i>Used on Electric Start &amp; European Models Only.</i>
58	7091294		WASHER, 1/4 Flat	<i>Was 90055 (Used on Electric Start &amp; European Models Only.)</i>
59	7090053		WASHER, 1/4 Internal Tooth Lock	<i>Used on Electric Start &amp; European Models Only.</i>
60	7032664		SHIELD, Hex Shaft	<i>(European Models)</i>
61	7016380		SCRAPER, Drive Pulley	
62	7012125		GUIDE, Thrust Plate	
63	7090799		BOLT, 5/16-18 X 5/8" Short Neck Carriage, Grade 5	<i>Was 91026</i>

### Footnotes:

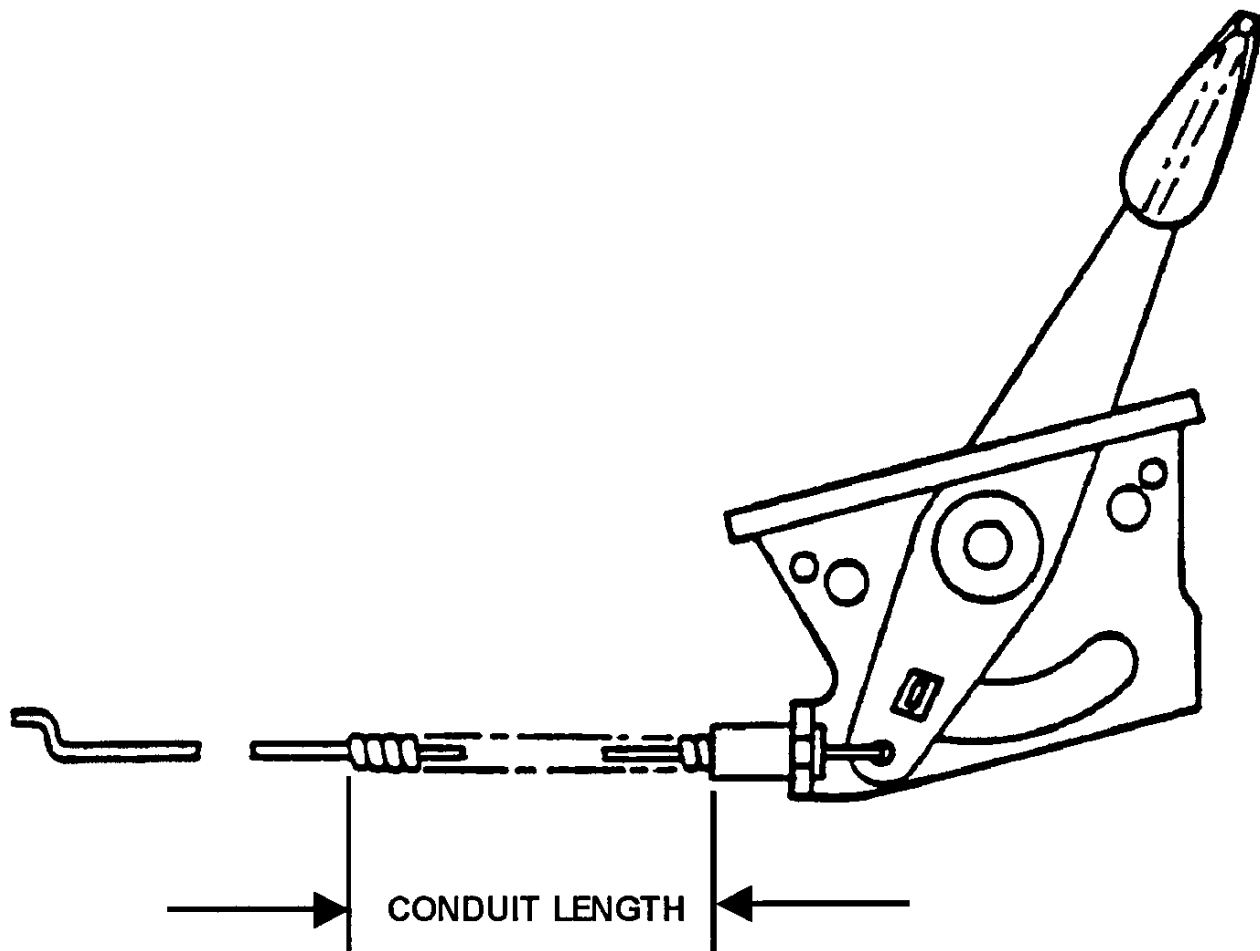
**Transmission (Differential)**



## Transmission (Differential)

Item	Part No	Qty	Description	Note
	7059070		ASSEMBLY, Transmission	<i>Was 53945 (Includes 1 thru 30)</i>
1	7092062	4	NUT, 5/16-24 Hex Lock	<i>Was 11201</i>
2	7014263		WASHER, Spring	
3	7019213		PULLEY, Poly-Vee Belt	
4	7011724	2	WASHER, Spring	
5	7053942		ASSEMBLY, Housing Right	<i>(Includes items 6, 7, 8, 9 &amp; 10)</i>
6	7029034		HOUSING, Right Side	
7	7014155	3	SCREW, 5/16-24 x 1-1/8" Rib Neck, Grade 5	
8	7012314	2	SEAL, 5/8 I.D.	
9	7029035	2	BEARING, Differential	
10	7073963		BEARING, Ball	<i>Was 11767</i>
11	7016544		PLUG, Housing	
12	7050767		GEAR, Input	
13	7050830		AXLE, Short	
14	7012495		GEAR, Differential (46 Tooth)	
15	7031970	2	PLATE	
16	7031965	2	WASHER, Thrust	
17	7090557	4	SCREW, #10-32 x 1-1/2" Hex Head Cap, Grade 5	
18	7011774		GASKET, Housing	
19	7090189	3	WASHER, 5/16 Internal/External Tooth Lock	
20	7051903		BRACKET, Differential	
21	7091825	4	SCREW, 1/4-20 x 1-1/4" Self-Tapping	
22	7012543		SPACER, Axle Gear	
23	7050831		AXLE, Long	
24	7021115	4	GEAR, Pinion (12 Tooth)	
25	7012500	4	SPACER, Pinion Gear	
26	7011110	4	SHAFT, Pinion	
27	7090376	4	NUT, #10-32 Hex Nyloc	
28	7053939		ASSEMBLY, Housing Left	<i>(Includes items 8, 9 &amp; 29)</i>
29	7029033		HOUSING, Left Side	
30	7024442		GASKET, 5/8 O.D.	
	7061017		"00" GREASE (32 oz.)	

### Footnotes:



## ***Throttle Controls (1997 Thru 2001 Models)***

---

<b>Item</b>	<b>Part No</b>	<b>Qty</b>	<b>Description</b>	<b>Note</b>
	7029036		Throttle Controls	<i>BRIGGS Engine, 4 Cycle, Conduit Length 48"</i>
	7024139		Throttle Controls	<i>TECUMSEH Engine, 2 Cycle, Conduit Length 55.5"</i>
	7029052		Throttle Controls	<i>TECUMSEH Engine, 4 Cycle, Conduit Length 51.5"</i>

**Footnotes:**

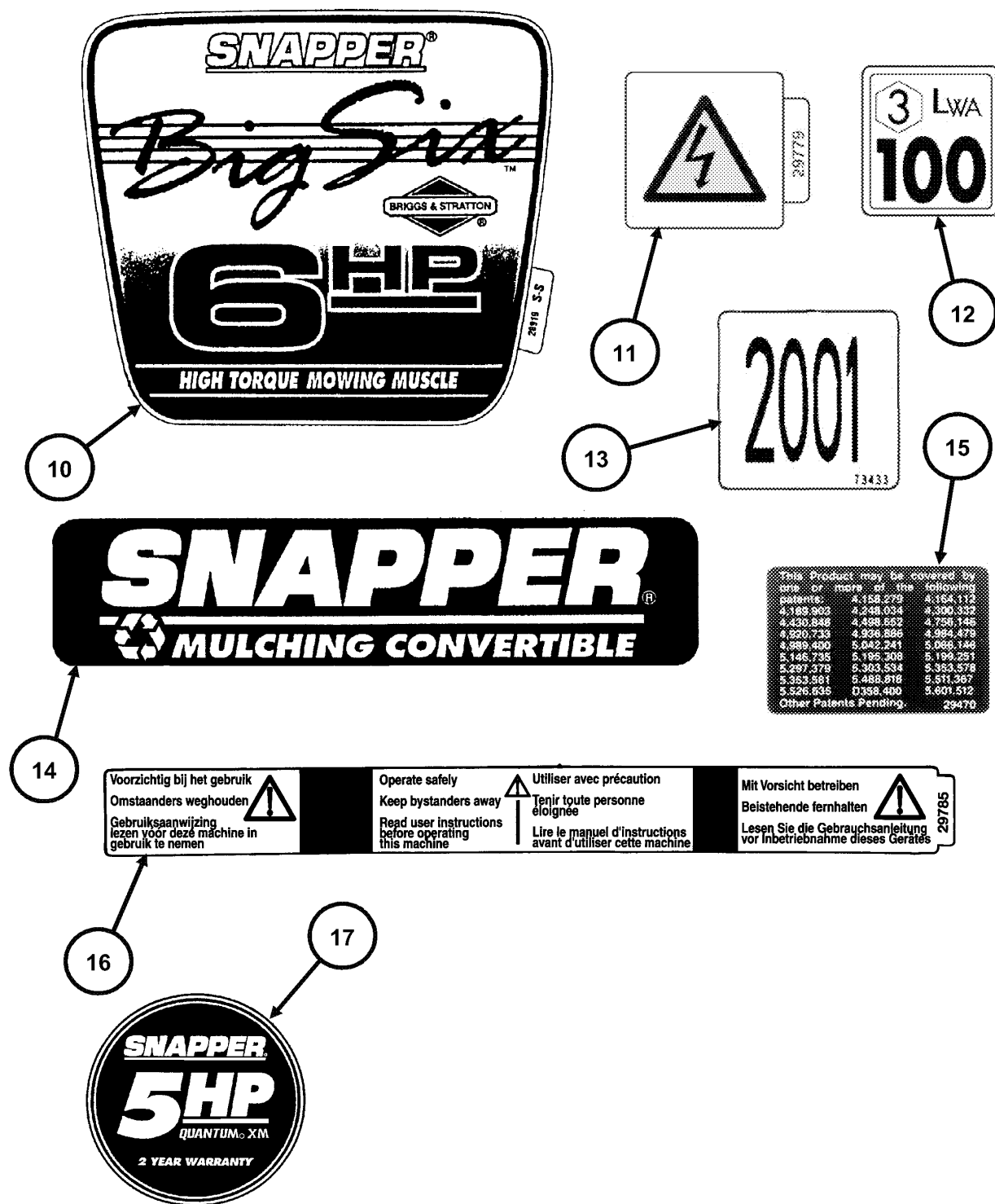


## ***Decals (Part 1)***

---

<b>Item</b>	<b>Part No</b>	<b>Qty</b>	<b>Description</b>	<b>Note</b>
1	7026384		DECAL, Recycling Mulcher (Ninja)	
2	7029713		DECAL, Snapper	
3	7024211		DECAL, Blade Control	
4	7029782		DECAL, Blade Control (European)	
5	7029619		DECAL, Briggs Logo	
6	7024087		DECAL, Speed Sector	
7	7029783		DECAL, Speed Sector (European)	
8	7072921		DECAL, Convertible	<i>Was 29965</i>
9	7013010		DECAL, Danger	

### **Footnotes:**



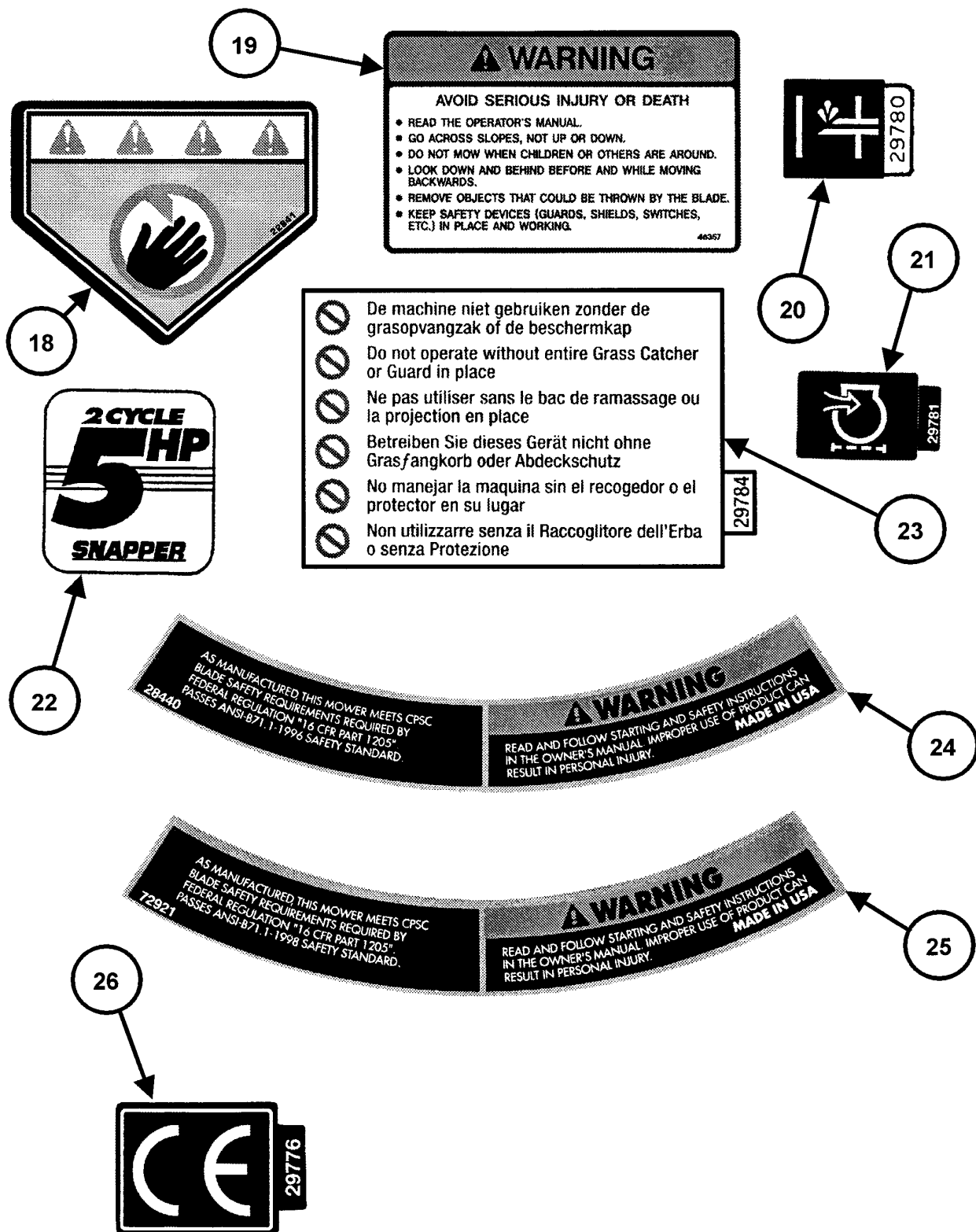


## Decals (Part 2)

---

Item	Part No	Qty	Description	Note
10	7028919		DECAL, 6.0 HP Briggs XTL	
11	7029779		DECAL, Spark Plug (European)	
12	7023009		DECAL, Noise Control (European)	
13	7073433		DECAL, 2001 Year of Manufacture	
	7072820		DECAL, 2000 Year of Mfr.	(Not shown)
	7072404		DECAL, 1999 Year of Mfr.	(Not shown)
	7041827		DECAL, 1998 Year of Mfr.	(Not shown)
14	7026383		DECAL, Mulching Convertible	
15	7029470		DECAL, Patent Numbers	
16	7029785		DECAL, Handle International Warning	
17	7029657		DECAL, Snapper (3.87" Diameter)	

### Footnotes:



### **Decals (Part 3)**

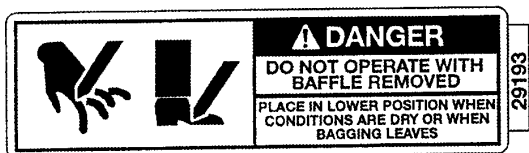
---

<b>Item</b>	<b>Part No</b>	<b>Qty</b>	<b>Description</b>	<b>Note</b>
18	7022841		DECAL, Warning	<i>(European Models)</i>
19	7046357		DECAL, Warning	
20	7029780		DECAL, Primer	<i>(International Models)</i>
21	7029781		DECAL, Air Filter	<i>(International Models)</i>
22	7024187		DECAL, 5 HP 2 Cycle	
23	7029784		DECAL, Chute	<i>(International Models)</i>
24	7028440		DECAL, Warning (Deck)	
25	7072921		DECAL, Warning (Deck)	<i>(215015 Model)</i>
26	7029776		DECAL, European Community	

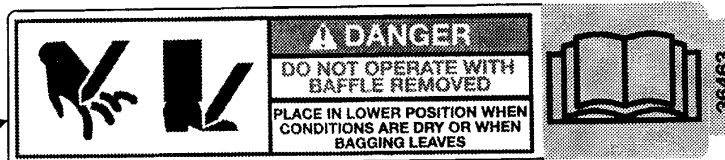
**Footnotes:**



27

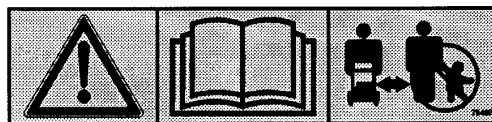
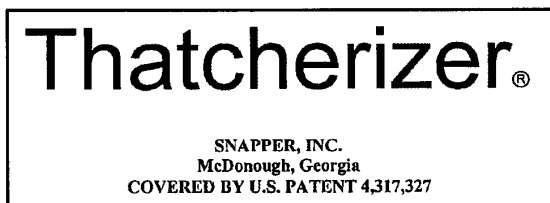


28

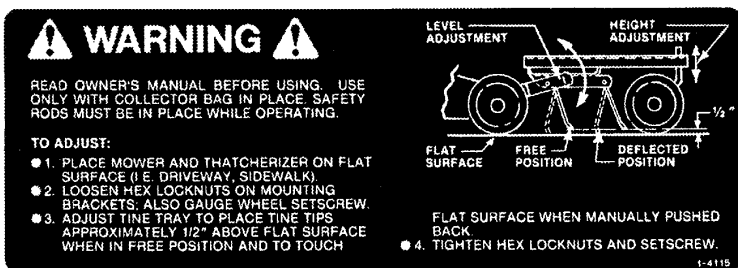


29

31



30

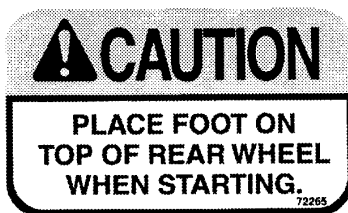


32

33



34



35



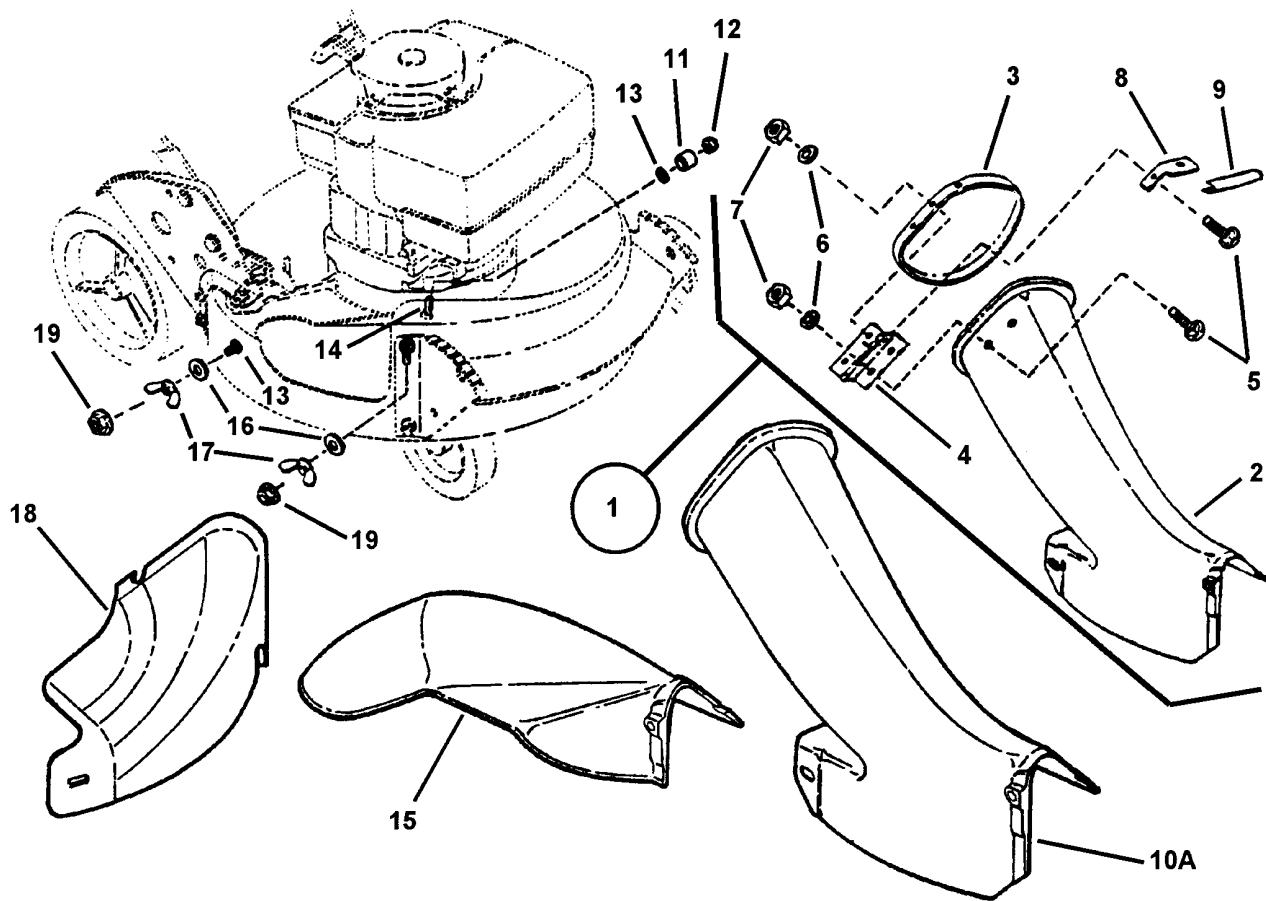
## ***Decals (Part 4)***

---

<b>Item</b>	<b>Part No</b>	<b>Qty</b>	<b>Description</b>	<b>Note</b>
27	7046720		DECAL, Warning Chute/Deflector	
28	7029193		DECAL, Front Baffle	
29	7036463		DECAL, Front Baffle	<i>(European Models)</i>
30	7073462		DECAL, Caution, Symbols	
31	7014062		DECAL, Thatcherizer	
32	7014115		DECAL, Warning Thatcherizer	
33	7029057		DECAL, Medallion (Deck)	
34	7072265		DECAL, Stabilization	
35	7073335		DECAL, OPEI	

### **Footnotes:**

**Side Chute, Adapter**

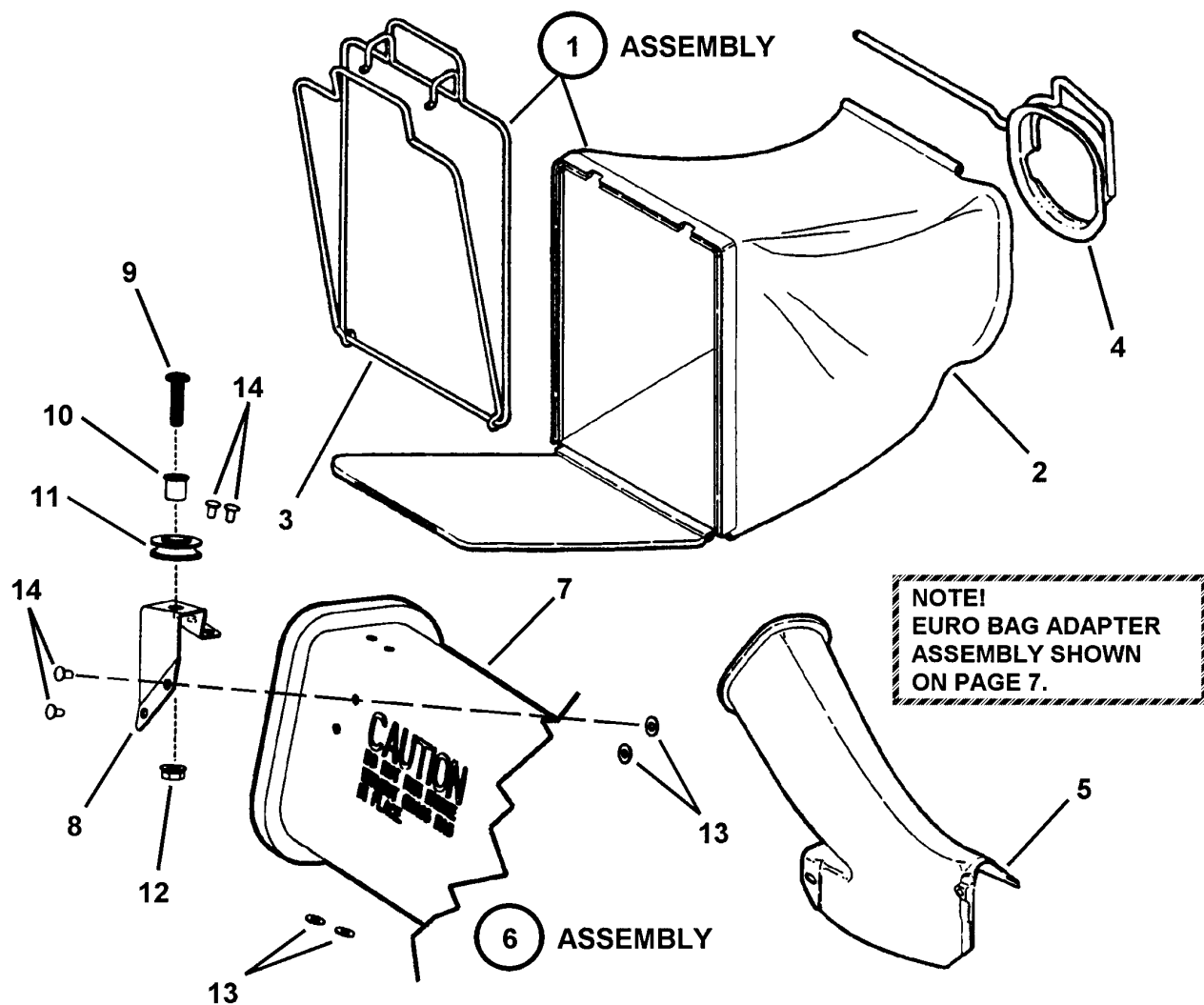


## Side Chute, Adapter

---

Item	Part No	Qty	Description	Note
1	7051951		ASSEMBLY, Bag Adapter & Cover	<i>(European Models Only); (Includes Items 2 thru 9)</i>
2	7016107		ADAPTER, Grass Bag	
3	7019287		COVER, Bag Adapter	
4	7023000		HINGE, Chute Cover	
5	7091064	5	BOLT, 1/4-20 x 1/2" Short Neck Carriage, Grade 5	
6	7090053	5	WASHER, 1/4 Internal Tooth Lock	<i>Was 91023</i>
7	7091576	5	NUT, 1/4-20 Hex, Grade 5	<i>Was 91100</i>
8	7032661		STOP, Cover	
9	7023042		MOLDING, Trim	
10A	7016050		ADAPTER, Grass Bag	
10B	7058037		ASSEMBLY, Grass Bag Adapter	<i>(See "Accessory - Grass Bag" illustration and parts; (Model 215014)</i>
11	7024340		SPACER	
12	7090951		NUT, 5/16-18 Hex Flange Center Lock	
13	7011791	2	RETAINER, 5/16 Bolt	
14	7091508		BOLT, 5/16-18 x 3/4" Short Neck Carriage, Grade 5	<i>Was 90001</i>
15	7042965		KIT, Side Chute	<i>Was 60955 (10 per box)</i>
16	7090122	2	WASHER, 5/16 Flat	<i>Was 91514</i>
17	7024085	2	WING-NUT, 5/16-18 Nyloc	
18	7029149		COVER, 21" Deck	
19	7090951	2	NUT, 5/16-18 Large Flange Center Lock	<i>(Model 215014)</i>

### Footnotes:



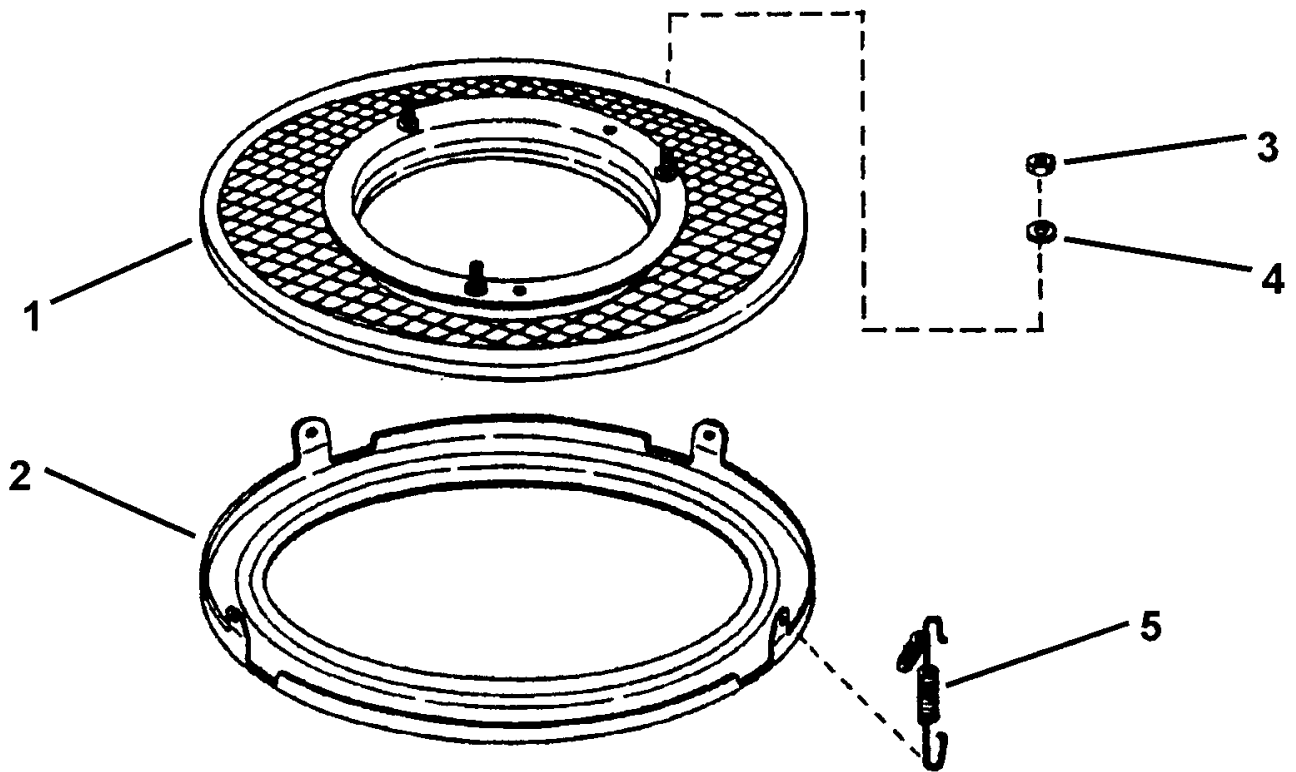


## Accessory - Grass Bag

---

Item	Part No	Qty	Description	Note
	7060935		KIT, Grass Bag Catcher	<i>Was 61919 (Includes 2 thru 4)</i>
1	7059322		ASSEMBLY, Grass Bag	<i>Was 54058 (Includes 2 thru 4)</i>
2	7074425		BAG, Door Type (Black) (13" Wide)	<i>Was 29963</i>
3	7051906		ASSEMBLY, Bag Wire (13" Wide)	
4	7042489		CONNECTOR, Grass Bag	
5	7016050		ADAPTER, Bag	
6	7058037		ASSEMBLY, Bag Adapter	<i>(Includes items 7 thru 14)</i>
7	7047081		ADAPTER, Bag	
8	7047082		BRACKET, Rope Pulley	
9	7091984		SCREW, 5/16-18 x 1-1/4" Pan Head Machine	
10	7012306		BUSHING, Flange	
11	7024228		PULLEY, Plastic	
12	7091601		NUT, 5/16-18 Hex Flange Lock, Grade 5	<i>Was 91070</i>
13	7072107	4	WASHER, 15/32"	
14	7013860	4	RIVET, 3/16 x .344	

### Footnotes:



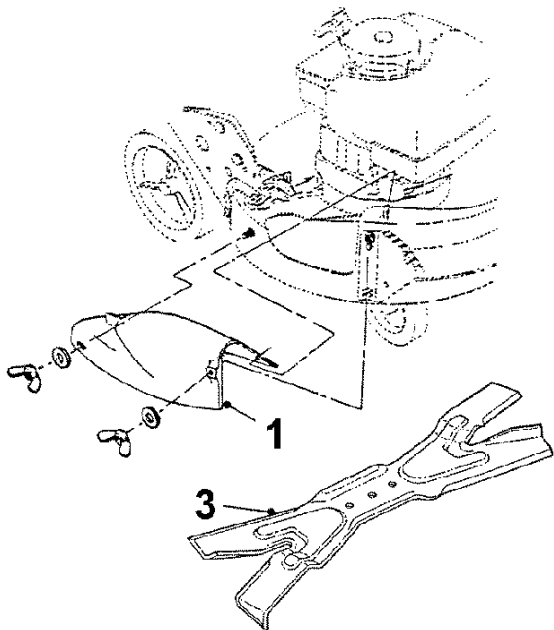
## Accessory - Snapperizer

---

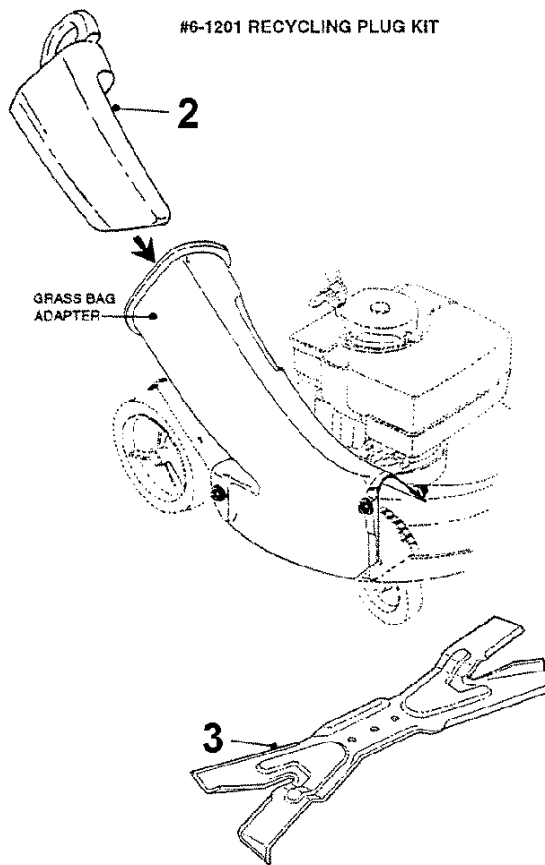
Item	Part No	Qty	Description	Note
	7060440		KIT, Snapperizer	<i>(Includes Items 1, 2 Thru 5)</i>
	7060341		KIT, Snapperizer	<i>(Includes Items 1, 2A Thru 5); ("FR" Type Decks)</i>
1	7051243		SCREEN, Fastener Assembly	
2	7039759		RING, Bottom (21.77" Inside Diameter)	
2	7072002		RING, Bottom (22.60" Inside Diameter)	
3	7091297	3	NUT, 5/16-24 Hex, Grade 5	<i>Was 90223</i>
4	7090187	3	WASHER, 5/16 Split Lock	
5	7012587	3	SPRING	

### Footnotes:

#6-1200 RECYCLING COVER KIT



#6-1201 RECYCLING PLUG KIT

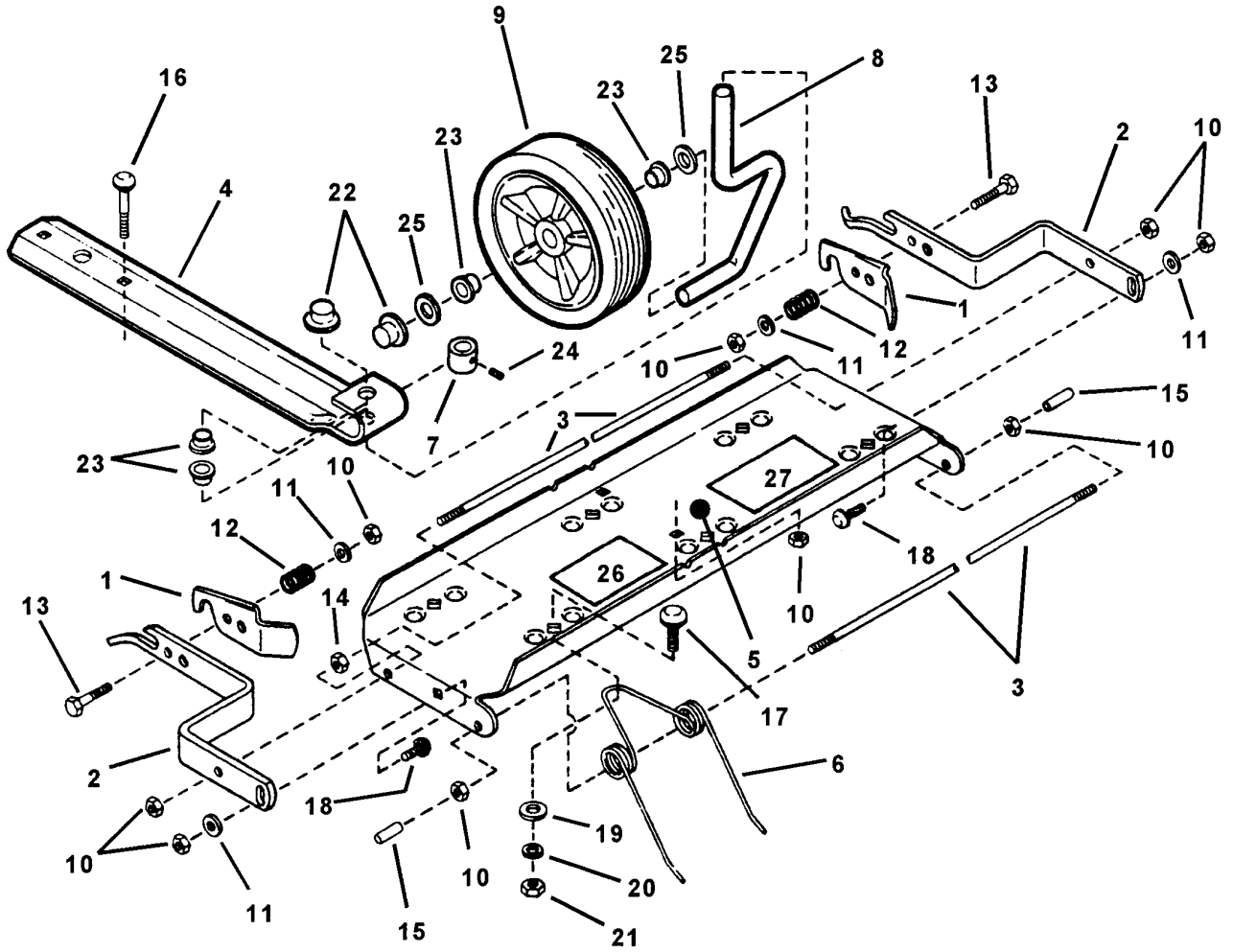


## **Accessory - Recycling Kits**

---

<b>Item</b>	<b>Part No</b>	<b>Qty</b>	<b>Description</b>	<b>Note</b>
	7061200		KIT, Recycling Cover	<i>(Includes Items Below)</i>
	7061201		KIT, Recycling Plug	<i>(Includes Items Below)</i>
1	7029149		COVER, 21" Deck	
2	7016814		PLUG, Chute Adapter	
3	7026407		BLADE, 21" Quad Edge Ninja	

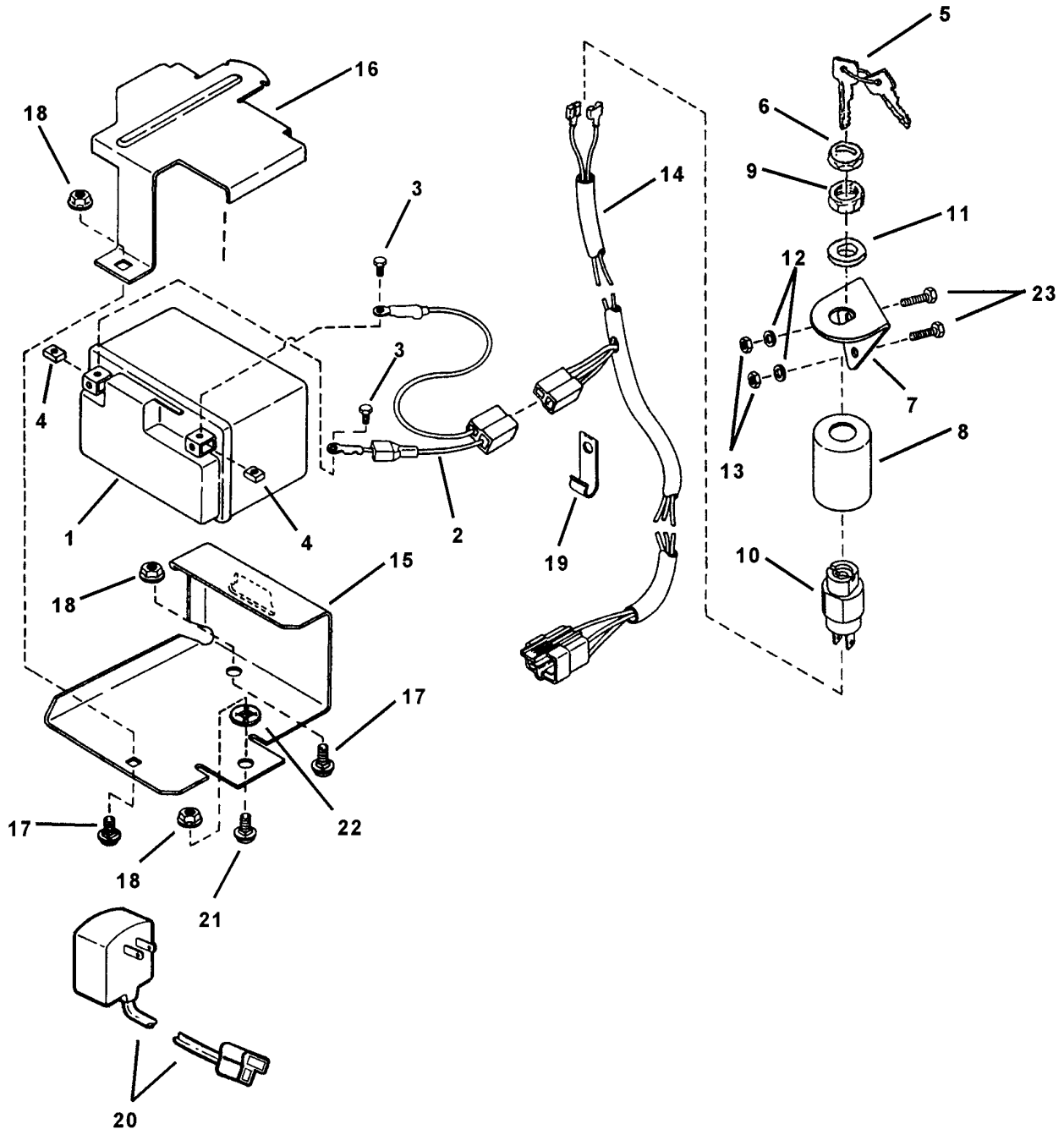
**Footnotes:**



## Thatcherizer - Accessory

Item	Part No	Qty	Description	Note
	7061256		KIT, Thatcherizer	<i>(Includes Items 1 Thru 27)</i>
1	7032891	2	LATCH, Frame Attachment	
2A	7026572		BAR, Mount (Right Hand)	
2B	7026573		BAR, Mount (Left Hand)	
3	7018499	2	ROD, Tine	
4	7018700		SUPPORT, Wheel	
5	7019948		TRAY, Tine	
6	7018496	6	KIT, Tine Thatching Spring	<i>Was 60574</i>
7	7014100		BUSHING, Wheel Adjuster	
8	7018493		AXLE, Wheel	
9	7018189		WHEEL, 7.00 x 1.50 Gage	
10	7091705	10	NUT, 1/4-20 Hex Top Lock	<i>Was 90761</i>
11	7091294	4	WASHER, 1/4 Flat	<i>Was 90055</i>
12	7022425	2	SPRING, Compression	
13	7090825		BOLT, 1/4-20 x 1-1/4" Hex, Grade 5	
14	7091576	2	NUT, 1/4-20 Hex, Grade 5	<i>Was 90063</i>
15	7022424	2	CAP, Vinyl	
16	7090015	2	BOLT, 1/4-20 x 2-1/2" Carriage	
17	7091303	6	BOLT, 5/16-18 x 1" Carr., Gr. 5	<i>Was 90383</i>
18	7091530	2	BOLT, 1/4-20 x 3/4" Carr. Gr. 5	<i>Was 90074</i>
19	7014098	6	WASHER, Reinforcing	
20	7090187	6	WASHER, 5/16 Split Lock	
21	7091511	6	NUT, 5/16-18 Hex, Gr. 5	<i>Was 90196</i>
22	7014101	2	NUT, 1/2 Push	
23	7014342	4	BEARING, Nyliner	
24	7014103		SCREW, 5/16-18 x 1/4" Set	
25	7090250	2	WASHER, 1/2 Flat	
26	7014115		DECAL, Adjustment	<i>See "Decals (Part 4)" illustration and parts list.</i>
27	7014062		DECAL, Thatcherizer	<i>See "Decals (Part 4)" illustration and parts list.</i>
	7060965		KIT, Adapter	<i>(Includes Items 1, 2 &amp; 10 Thru 13)</i>

### Footnotes:





## Electric Start

Item	Part No	Qty	Description	Note
	7067012		KIT, Battery	<i>(Includes Items 1 Thru 4)</i>
1	7067012		BATTERY, 12 Volt, 35 CCA	<i>Was 19763</i>
2	7015488		HARNESS, Battery	
3	7043977	2	SCREW, #10-24 x 1/2" Hex Head Cap	
4	7090932	2	NUT, #10-24 Square	
	7058120		ASSEMBLY, Switch/Brkt.	<i>(Incl. Items 5 Thru 10)</i>
5	7011138		KEY, (Set of Two)	
6	7023506		ASSEMBLY, Seal & Face Nut	
7	7071972		BRACKET, Ignition Switch	
8	7029080		COVER, Switch	
9	7012685		NUT, 3/4-20 Hex Lock	
10	7028765		SWITCH, Ignition-(spring loaded ON/OFF 2 prong)	
11	7016132		SPACER	
12	7090053	2	WASHER, 1/4 Internal Tooth Lock	<i>Was 91023</i>
13	7090095	2	NUT, 1/4-28 Hex Grade 5 or B	<i>Was 91024</i>
14	7029081		HARNESS, Wiring	
15	7032906		BRACKET, Battery	
16	7036132		COVER, Battery	
17	7090731	2	BOLT, 5/16-18 x 1/2" Short Neck. Carr., Gr. 5	
18	7091601	3	NUT, 5/16-18 Hex Flange Lock Grade 5	<i>Was 90585</i>
19	7012652		CLIP, Wiring	
20	7061188		CHARGER, Battery (120 Volt - 60 Hertz)	<i>Was 18834</i>
	7018977		CHARGER, Battery (230 Volt - 50 Hertz)	
21	7090799		BOLT, 5/16-18 x 5/8" Short Neck. Carriage, Gr. 5	<i>Was 91026</i>
22	7011791		RETAINER, 5/16 Bolt	
23	7091025	2	SCREW, 1/4-28 x 1-3/8" Hex Hd. Cap, Gr. 5	

### Footnotes:





*Parts Manual for*

# **SNAPPER®**

## **21" STEEL DECK WALK BEHIND MOWERS SERIES 12, 14, 15, & 16**

IT IS THE POLICY OF SNAPPER TO IMPROVE ITS PRODUCTS  
WHENEVER IT IS POSSIBLE AND PRACTICAL TO DO SO. WE  
RESERVE THE RIGHT TO MAKE CHANGES OR ADD IMPROVEMENTS  
AT ANY TIME WITHOUT INCURRING ANY OBLIGATION TO MAKE  
SUCH CHANGES ON PRODUCTS MANUFACTURED PREVIOUSLY.

**SNAPPER®** McDonough, GA, 30253 U.S.A.