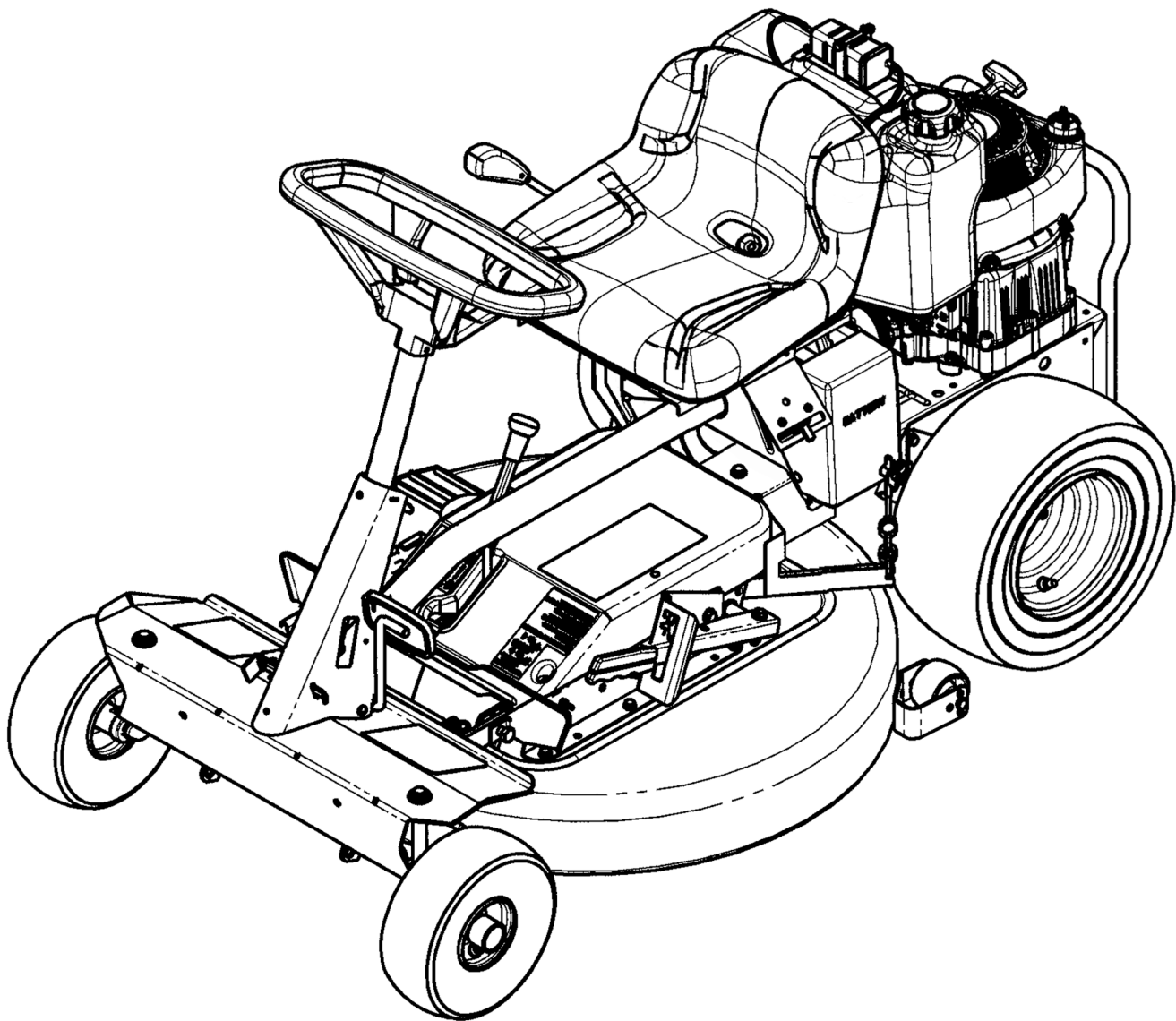




# Parts Manual

Mfg. No: 2691383-00  
E3317525BVE, 33" 17.5 HP Rear Engine



7600237 - Grass Catcher, Single Bag (Export).....

Not For  
Reproduction

---

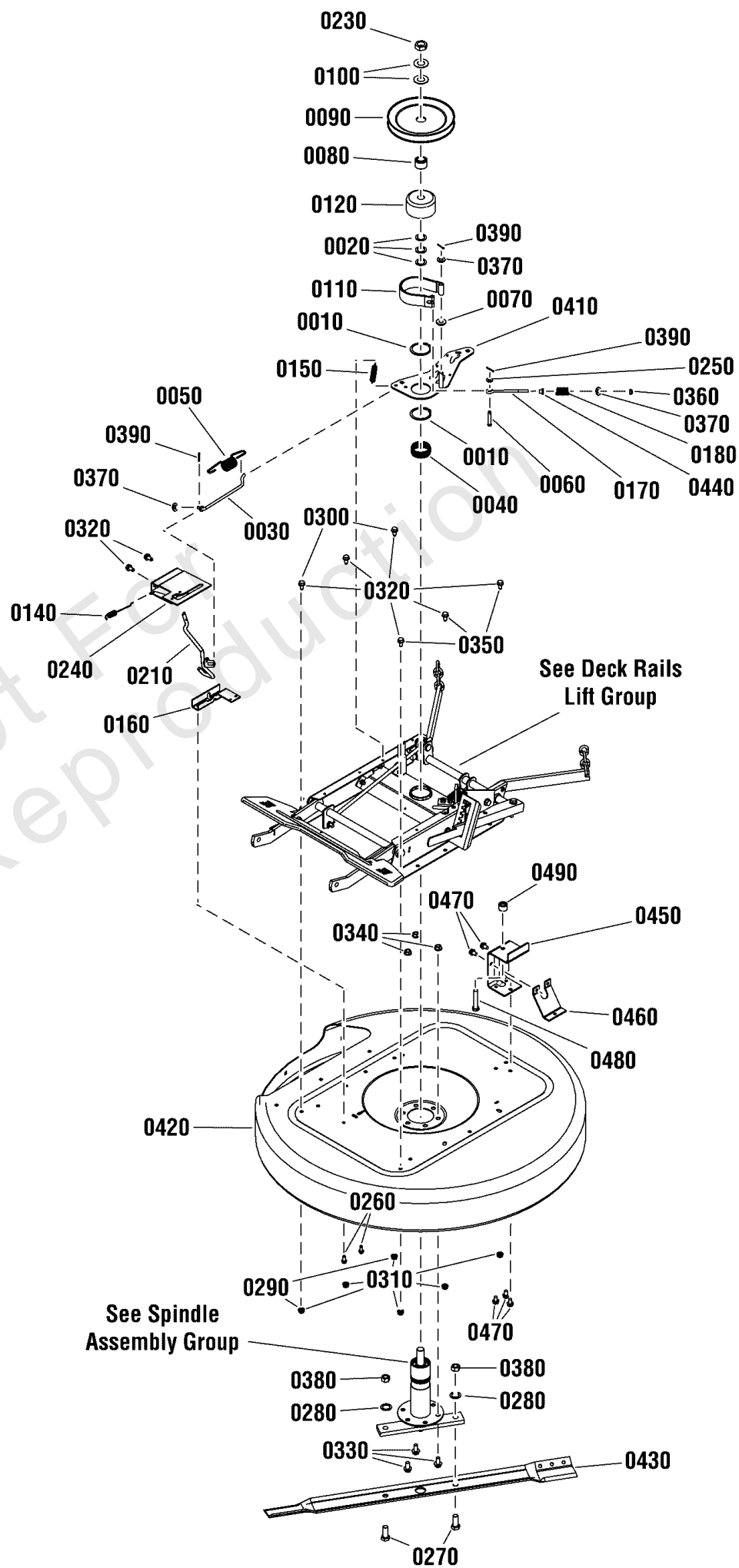
<b>Model Components</b>	<b>Page</b>
28" & 33" Mower Deck Assembly.....	4
28" & 33" Mower Deck Final.....	8
Decals Group.....	10
Deck Rails & Lift Group.....	12
Differential Assembly.....	14
Electrical Group.....	16
Engine Group.....	18
French Guard Group Euro RER.....	20
Front End Group.....	22
Gear Shifter Assembly.....	26
Main Case Assembly.....	28
Mechanical Drive Group.....	30
Primary Chain Case.....	32
Seat Group.....	34
Spindle Assembly.....	36
Wheel Group.....	38
Torque Specification Chart.....	40

Not For  
Reproduction

# 28" & 33" Mower Deck Assembly

Note: Unless noted otherwise, use the standard torque specifications

Mfg. No: 2691383-00



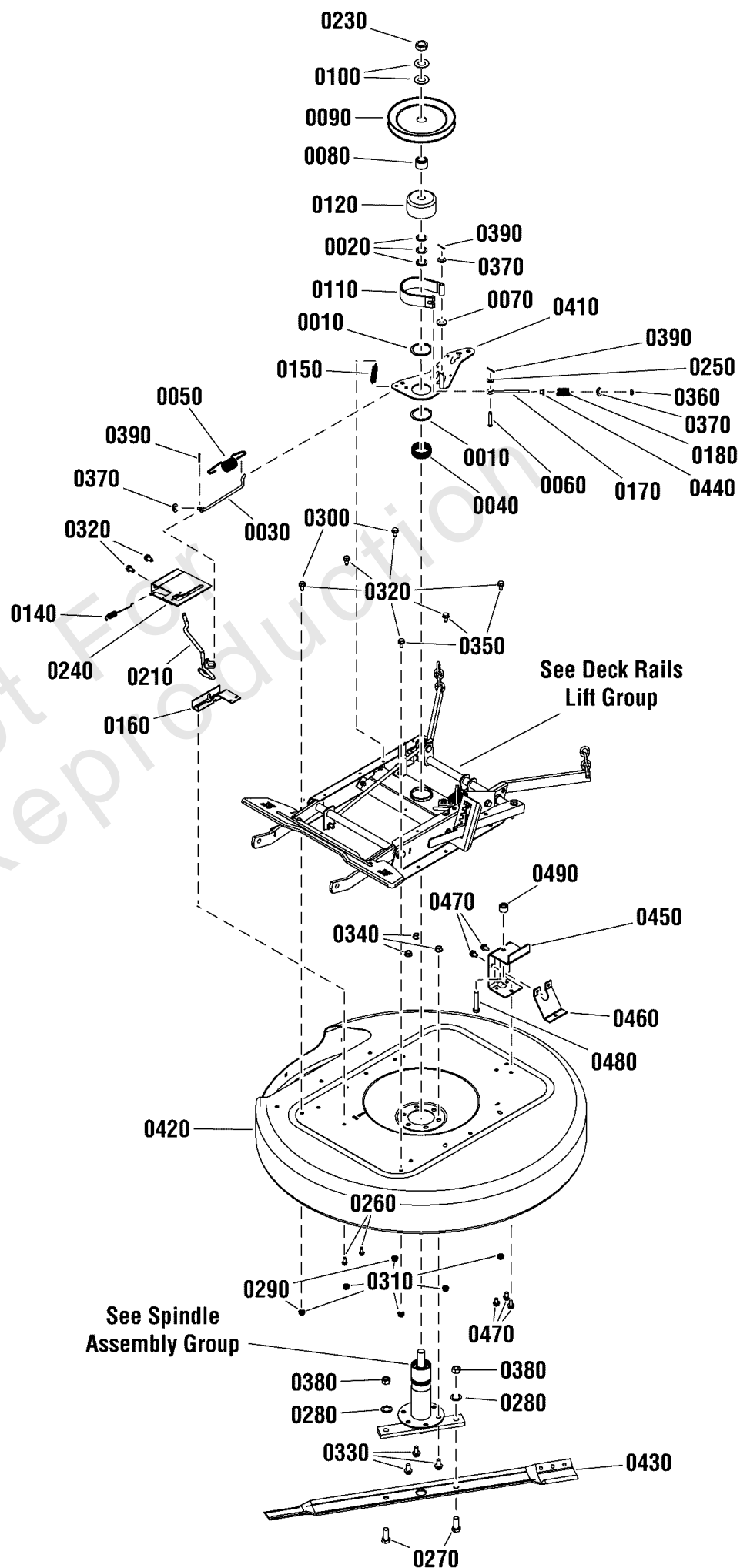
## 28" & 33" Mower Deck Assembly

REF NO	PART NO	QTY	DESCRIPTION
0010	7010740YP	2	RING, 2 External Retaining
0020	7010935SM	3	WASHER, .77 x 1.13 x .06, Flat
0030	7012055YP	1	ROD, Idler Control
0040	7012670YP	1	RING, 2 ID x 3/4 High, Tolerance
0050	7014168YP	1	SPRING, Blade Handle
0060	7014304YP	1	PIN, 1/4 x 1-5/8 Clevis
0070	7014314YP	1	SPACER, .31 I.D. x .39 O.D. x 1, Nylon
0080	7015290YP	1	HUB, Pulley, PM
0090	7018781BMYP	1	PULLEY, Deck Spindle, 6.95 OD
0100	7032027SM	2	WASHER, 49/64x1-1/2x.06, Flat
0110	7600133YP	1	KIT, Brake Band, 10.1" L, 1.25" H
0120	7035378YP	1	DRUM, Brake Spindle (3" OD, 1.6" Tall)
0140	7074649YP	1	SPRING, Latch, .072 DIA., 3.6" Long
0150	7036521YP	1	SPRING, Extension, 4 x 1/2 Diameter
0160	7038021YP	1	MOUNT, Handle/Switch
0170	7046677YP	1	EYE-BOLT, 1/4-20 x 4"
0180	7046782YP	1	SPRING, Rectangular Wire
0210	7059254YP	1	WELDMENT, Blade Engagement Handle
0230	7074467SM	1	NUT, 3/4-16 Hex Jam, GR 8
0240	7600140YP	1	ASSEMBLY, Clutch Plate, RLM
0250	703590	1	WASHER, .406
0260	703054	2	SCREW, Hex Washer Head, 1/4-20 x 5/8
0270	7090491YP	2	SCREW, 1/2-20 x 1-1/4 Hex Head Cap, GR5
0280	7090509YP	2	WASHER, 1/2 Internal Tooth Lock, BZ
0290	703954	2	NUT, 1/4-20, Center Lock, GR 5, Zinc/Clear -(Used on 28" only)
0300	7090584YP	2	BOLT, 1/4-20 x 1/2 Hex Flange Lock, GR 5, ZP -(Used on 28" only)
0310	703409	6	NUT, Serrated Lock Flange, 5/16-18
0320	703949	6	SCREW, 5/16-18 X .625, Hex Washer Head, Thread Roll, Zinc/Clear -(Used on 33" only)
0330	703955	3	BOLT, 3/8-16X0.75, Serrated Flange, GR5, Zinc/Clear
0340	703333	3	NUT, 3/8-16, Flanged Lock, GR5, Zinc/Clear
0350	703823	3	BOLT, 5/16-18 x 5/8 Hex Flange lock, GR 5, YZ -(Used on 28" only)
0360	703419	1	NUT, 1/4-20 Hex Top Lock, Zinc/Clear
0370	703332	3	WASHER, Flat, 1/4
0380	7091939YP	2	NUT, 1/2-20 Hex, GR 5 ZP
0390	703312	3	PIN, 3/32 X 3/4, GR5, Cotter, Zinc/Clear
0410	706001	1	WELDMENT, Idler Arm, RER
0420	7061970YP	1	KIT, 28" Deck Replacement, Red (Includes Decals)
0420	7061972YP	1	KIT, 33" Mower Housing, Red (Includes Decals)
0430	7019515BZYP	1	BLADE, 28" (Standard 3 Hole Air Lift)
0430	7019523BZYP	1	BLADE, 33" (With Air Lift Holes)
0440	7014343YP	1	BUSHING, Flange .27 ID x .35 x .4, Nylon, Black
0450	7035728BMYP	1	BRACKET, Fixed Idler -(Used on 33" only)
0460	7036526BMYP	1	BRACE, Fixed Idler -(Used on 33" only)
0470	703985	5	SCREW, 5/16-18 X .5, Hex Washer Head, Self-Tapping, ZC/CL -(Used on 33" only)
0480	7100063YP	1	SPACER, Idler (.390 ID, .810 OD, .530 H) -(Used on 33" only)

# 28" & 33" Mower Deck Assembly

Note: Unless noted otherwise, use the standard torque specifications

Mfg. No: 2691383-00



## 28" & 33" Mower Deck Assembly

---

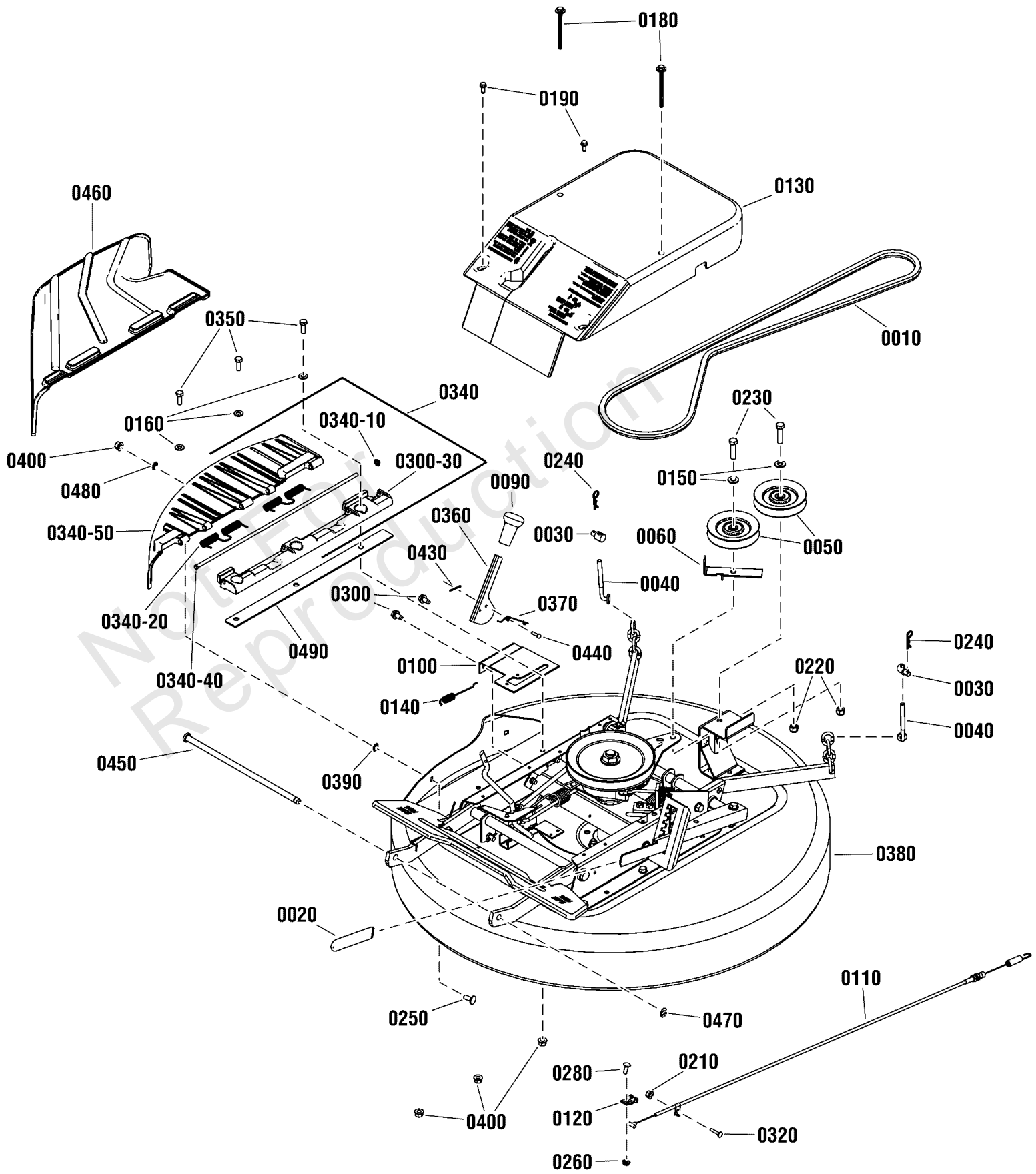
REF NO	PART NO	QTY	DESCRIPTION
0490	703589	1	SCREW, 3/8-16 x 2, Hex Head Cap, GR5, Zinc/Clear -(Used on 33" only)

Not For  
Reproduction

# 28" & 33" Mower Deck Final

Note: Unless noted otherwise, use the standard torque specifications

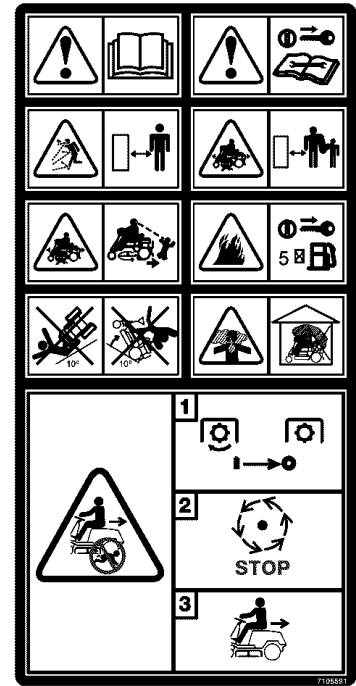
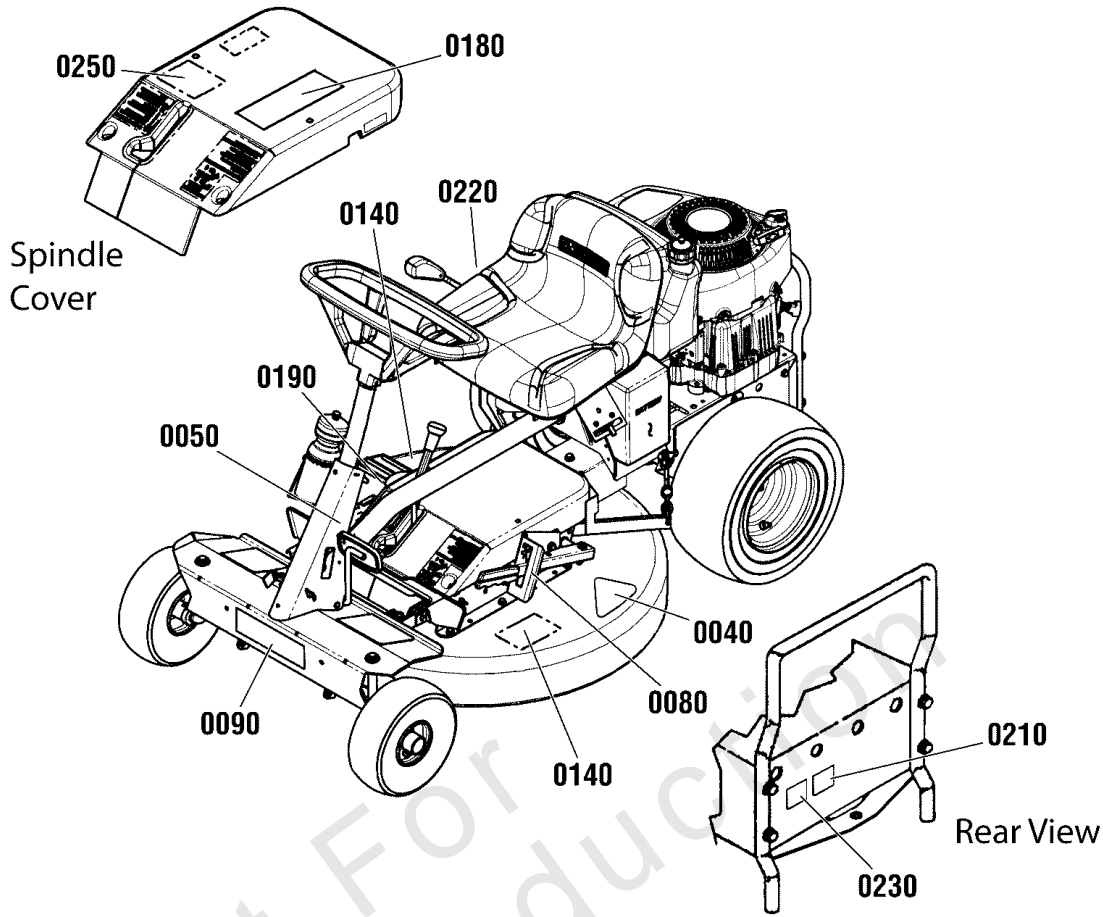
Mfg. No: 2691383-00





## 28" & 33" Mower Deck Final

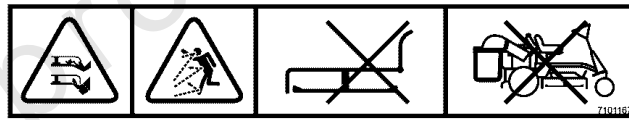
REF NO	PART NO	QTY	DESCRIPTION
0010	7043844YP	1	BELT, 73.75 AA
0020	7105356YP	1	GRIP, Deck Lift
0030	7028200SM	2	SWIVEL, Adjustable, 5/16-18, .109 Hole
0040	703827	2	ADJUSTER, Chain (5/16-18 X 3.68")
0050	7029624YP	2	PULLEY, Idler, .375 ID, 4 OD
0060	7032111YP	1	RESTRICTOR, Belt, 2.18" w/Lock Tab
0090	7046874YP	1	GRIP, Handle, .510 Square Hole
0100	7600140YP	1	ASSEMBLY, Clutch Plate, RLM
0110	7073216YP	1	CABLE, No Mow in Reverse, RER
0120	7073217YP	1	CLIP, Cable, RER
0130	1760729YP	1	COVER, Spindle, RER
0140	7074649YP	1	SPRING, Latch, .072 DIA., 3.6" Long
0150	703590	2	WASHER, .406
0160	703350	3	WASHER, 5/16, Flat SAE, Zinc/Clear
0180	7091015	2	HWST, 1/4C X3-1/2, ZC/CL
0190	703054	2	SCREW, Hex Washer Head, 1/4-20 x 5/8
0210	703412	1	NUT, #10-24, Hex Nylock, GRB, Zinc/Clear
0220	703117	2	NUT, 3/8-16, Nylock, GR5, Zinc/Clear
0230	703406	2	SCREW, 3/8-16 X 1.50, Hex HD Cap, GR5, Zinc/Clear
0240	703300	2	PIN, Hair, 3/32 x 1 5/8
0250	703185	1	BOLT, Carriage, 5/16-18 X 3/4
0260	703233	1	NUT, 1/4-20 Hex Flange Lock, GR 5, Zinc/Clear
0280	703575	1	BOLT, 1/4-20 X .750, Carriage, GR5, ZC/CL
0300	703949	2	SCREW, 5/16-18 X .625, Hex Washer Head, Thread Roll, Zinc/Clear
0320	7092051YP	1	BOLT, #10-24 X 1, Flat Head Carriage, BZ
0340	7105691YP	1	ASSEMBLY, Mulching Cover, RER, 28" -(Used on 28" only)
0340	7105871YP	1	ASSEMBLY, Mulching Cover, RER, 33" -(Used on 33" only)
0340-10	704005	1	NUT, 1/4", Push, Zinc/Clear
0340-20	7103309YP	2	SPRING, Torsion, Rear Door
0340-30	7105346YP	1	HINGE, Chute, RER, 28/33"
0340-40	7105689YP	1	ROD, Chute .25 OD, 17.62 Long
0340-50	7105691YP	1	COVER, Mulching, RER, 28" -(Used on 28" only)
0340-50	7105870YP	1	COVER, Mulching, RER, 33" -(Used on 33" only)
0350	703408	3	SCREW, 5/16-18 x 7/8 Hex Head Cap, GR 5, Zinc/Clear
0360	7046567BMYP	1	HANDLE, Blade Engagement
0370	7046648YP	1	SPRING, Torsion
0380	7061970YP	1	KIT, 28" Deck Replacement, Red (Includes Decals) -(Used on 28" only)
0380	7061972YP	1	KIT, 33" Mower Housing, Red (Includes Decals) -(Used on 33" only)
0390	703297	1	RETAINER, 5/16 X .625, Push Nut, GR 5, Zinc/Clear
0400	703115	4	NUT, Flange Nylock, 5/16-18
0430	703312	1	PIN, 3/32 X 3/4, GR5, Cotter, Zinc/Clear
0440	703313	1	CLEVIS PIN, 3/16 X 1, YZ
0450	7022717YP	1	ROD, Deck Support, 12.25" X .4375
0460	7105326YP	1	CHUTE, Side Discharge, 28"/33"
0470	7017847YP	1	RETAINING RING, EXT .438
0480	703937	1	WASHER, .325 ID X .850 OD X .041 Thk, Internal External Lock, ZC/CL
0490	7301363BMYP	1	PLATE, 33 Deck Hinge Support -(Used on 33" only)



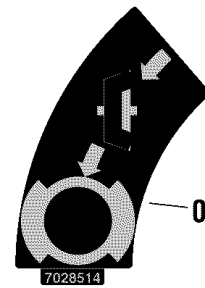
0180

Briggs & Stratton Corporation  
 This equipment is solely for export and is therefore exempt under 40 CFR 1068.230 from U.S. emission standards and related requirements. 380393  
 This equipment is not for sale in the US or Canada

0210



0190



0050

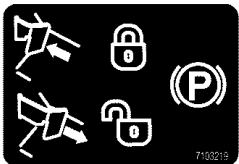
7028514



0230



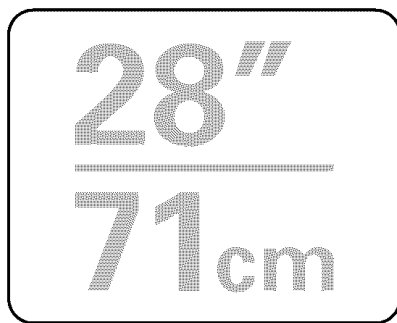
0080



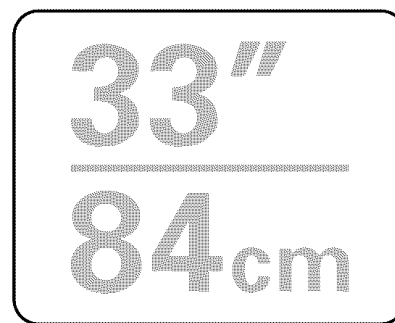
0200



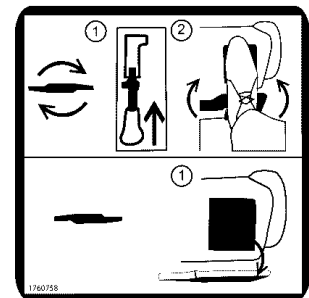
0220



0040



0040



0250



0090



0140

## ***Decals Group***

<b>REF NO</b>	<b>PART NO</b>	<b>QTY</b>	<b>DESCRIPTION</b>
0040	1755710YP	1	DECAL, 28IN/71CM, Mower Width
0040	1755713YP	1	DECAL, Mower Width 33" / 84CM
0050	7028514YP	1	DECAL, Clutch Brake
0080	7103440YP	1	DECAL, Height-Of-Cut, Symbol, RER
0090	1751632YP	1	DECAL, Snapper w/Turtle
0140	7100739YP	3	DECAL, Deck Symbols- International
0180	7105591YP	1	DECAL, Safety/RMO, Symbols, Euro RER
0190	7101167YP	1	DECAL, Deflector Caution Symbols, EURO
0200	7103219YP	1	DECAL, ID, Parking Lock
0210	706112	1	LABEL, Solely For Export - Exempt US Emissions
0220	7104796YP	1	DECAL, Reverse Lockout, RER
0230	709953	1	DECAL, EAC Compliance
0250	1760758YP	1	DECAL, Blade Engagement

Not For  
Reproduction



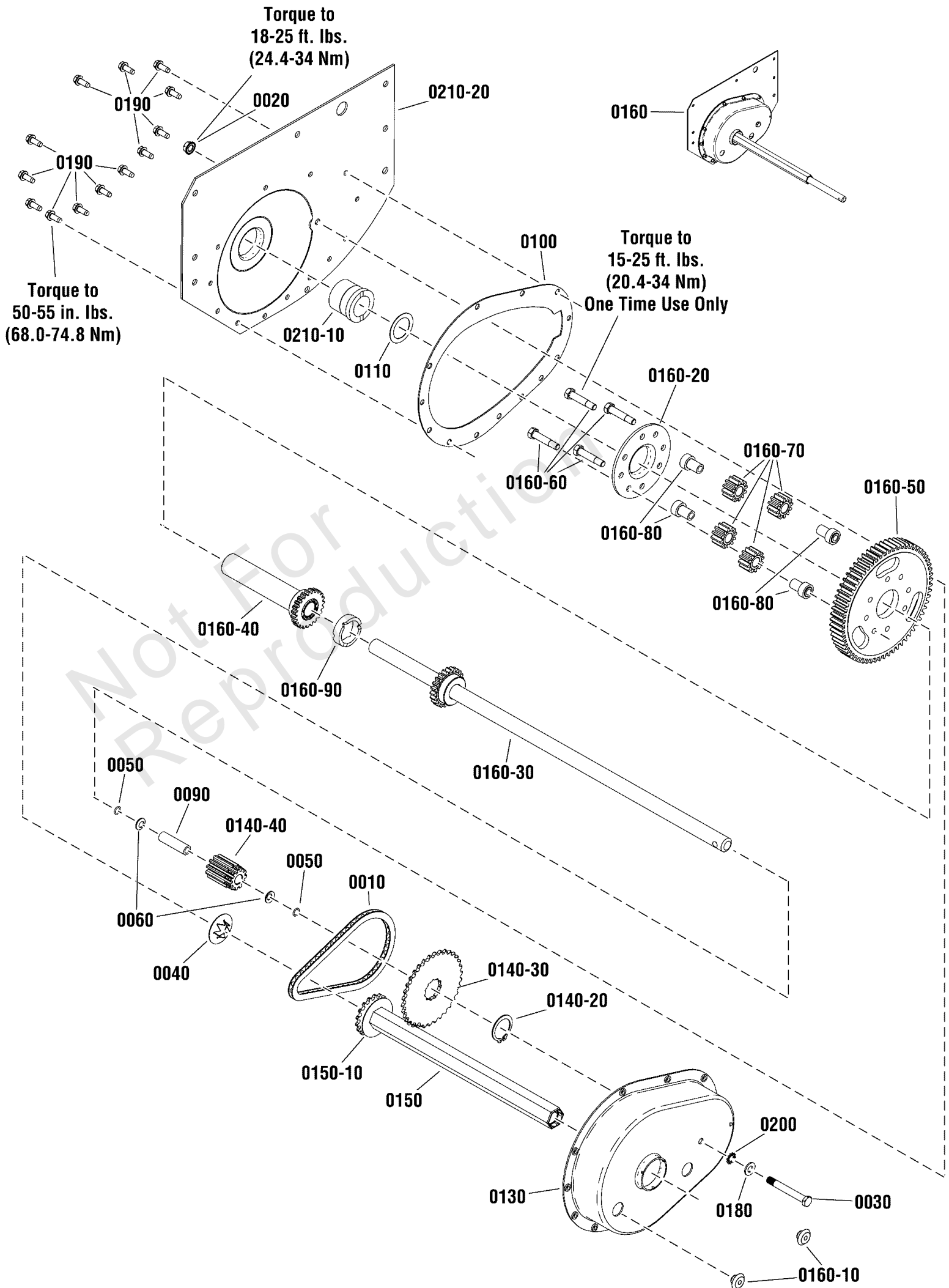
## Deck Rails & Lift Group

REF NO	PART NO	QTY	DESCRIPTION
0010	7012068YP	2	RING, Blue (.665" wide)
0030	7016122YP	1	ROD, Leveling (15.3" L, 3/4-24 thread)
0040	7031838BMYP	1	BRACE, Top Rail
0050	7031855YP	1	GUIDE, Belt
0060	7032030SM	3	WASHER, 13/32" ID x 1.25" x 1/8" Thick, Flat, ZP
0070	706321	1	ANCHOR
0080	7034213YP	1	PIVOT, Leveling
0090	7036430YP	1	RAIL, Deck Lift, RH
0100	7046155YP	1	LEVER, Height of Cut
0110	7046157YP	1	DETENT, Height Adjustment
0120	7046159YP	1	SPRING, Lever (1.7" LG, .5" OD)
0130	7046163YP	2	SPRING, Assist (5.5" LG, .85 OD)
0140	7046217YP	1	SPACER, Detent
0150-10	7012067YP	2	RING, Red (.36" wide)
0150-20	7015446YP	1	BOLT, 3/8-24 X 9/16, 1/2 Dia. Shoulder, ZP
0150-30	7015448YP	1	SPRING, Pedal
0150-40	7032997YP	1	ARM, Front Lift
0150-60	7058041YP	1	WELDMENT, Front Lift Arm
0150-90	704123	1	WASHER, .531 ID X 1.063 OD X .094 Thk, Flat, ZC/CL
0150-140	7073267YP	1	FOOT PEDAL, Blade Stop Control
0150-160	7015495YP	1	BOLT, 3/8-24 X .73, 1/2 DIA., Shoulder, ZP
0160	7059324YP	1	WELDMENT, Rear Lift Arm
0170	7071920YP	2	SPACER, Deck Lift Handle
0180	7073269YP	1	RAIL, Deck Lift, LH
0190	703590	2	WASHER, .406
0210	703336	2	SCREW, 5/16-24 x 3/4 Hex Head Cap, GR 5
0220	703458	2	NUT, 3/8-24 Hex Center Lock, GR B, YZ
0230	704000	2	SCREW, 3/8-16 X 1.0, Hex Washer Self-Tap, ZC/CL
0240	730949	1	SCREW, 5/16-18 X .625, Hex Washer Head, Thread Roll, Zinc/Clear
0250	703958	1	PIN, 1/8 X 0.75, Cotter, Zinc/Clear
0260	703587	2	WASHER, 5/16, Internal Lock, Zinc/Clear
0270	703866	1	SCREW, 3/8-24 x 1-3/4" Hex Head Cap, GR 5
0280	703901	1	NUT, 3/8-24, Hex Nylock, Zinc/Clear
0290	7091198SM	3	SCREW, 3/8-16 x 5/8" Hex Washer Self-Tap, BP
0300	703331	2	NUT, 5/16-24, Hex, GR5, Zinc/Clear

# Differential Assembly

Note: Unless noted otherwise, use the standard torque specifications

Mfg. No: 2691383-00



## Differential Assembly

REF NO	PART NO	QTY	DESCRIPTION
0010	7010941YP	1	CHAIN, 46 Pitch (#35 Endless)
0020	703123	1	NUT, 5/16-24, Serated Flange, Zinc/Clear, GR5
0030	7011042YP	1	SCREW, 5/16-24 x 2-5/8 Hex Head Cap, ZP
0040	7011072YP	1	WASHER, Thrust, (Hex Flanged)
0050	7011156YP	2	O-RING, 5/16"
0060	7011782YP	2	WASHER, 5/16 X 5/8 X .05, Belleville
0090	7021128YP	1	SPACER, .50 OD X .031 ID X 1.75 Long, Heat Treated
0100	7028762YP	1	GASKET, Transmission Case
0110	7031079YP	1	WASHER, Thrust (1.37 ID, 1.625 OD)
0130	7037279YP	1	CASE, Transmission
0140	7050257YP	1	ASSEMBLY, Gear & Sprocket
0140-20	7010965YP	1	RING, 1-3/16 External Retaining
0140-30	7021129YP	1	SPROCKET, 34T, 3/8P
0140-40	7200128YP	1	GEAR, 11 Tooth, 10 Pitch, PM
0150	7051584YP	1	ASSEMBLY, Drive Hex Tube 13.2 Long, DX
0150-10	7010988YP	1	WASHER, Hex Nylon Splash
0160	7600229YP	1	* KIT, Differential Assembly
0160-10	7011024YP		PLUG, 3/4 Hole
0160-20	7038067YP	1	PLATE, Differential, Heat Treated (8 holes)
0160-30	7075479YP	1	KIT, 23 Tooth Long Axle & Spacer (Includes 7047763 Axle & Spacer 7074431)
0160-40	7600137YP	1	KIT, Short Axle Assembly, 23 Tooth
0160-50	7021158YP	1	GEAR, 63 Tooth 10 Pitch (4 Hole)
0160-60	7012333YP	4	BOLT, 5/16-24 x 1-5/8 Hex Nylock, G5, Black
0160-70	7021127YP	4	GEAR, Differential Pinion (12T, 12P)
0160-80	7022115YP	4	SPACER, Pinion
0160-90	7074431YP	1	SPACER, Long & Short Axle (1.25 ID x .425 Wide)
0180	703350	1	WASHER, 5/16, Flat SAE, Zinc/Clear
0190	703054	13	SCREW, Hex Washer Head, 1/4-20 x 5/8
0200	703138	1	WASHER, External Lock, 5/16
0210-10	7012296YP	1	BEARING, Axle, 1.126 ID, 1.626 OD, PM
0210-20	7301301YP	1	FENDER, RH, 1.615 Hole, RER-RE

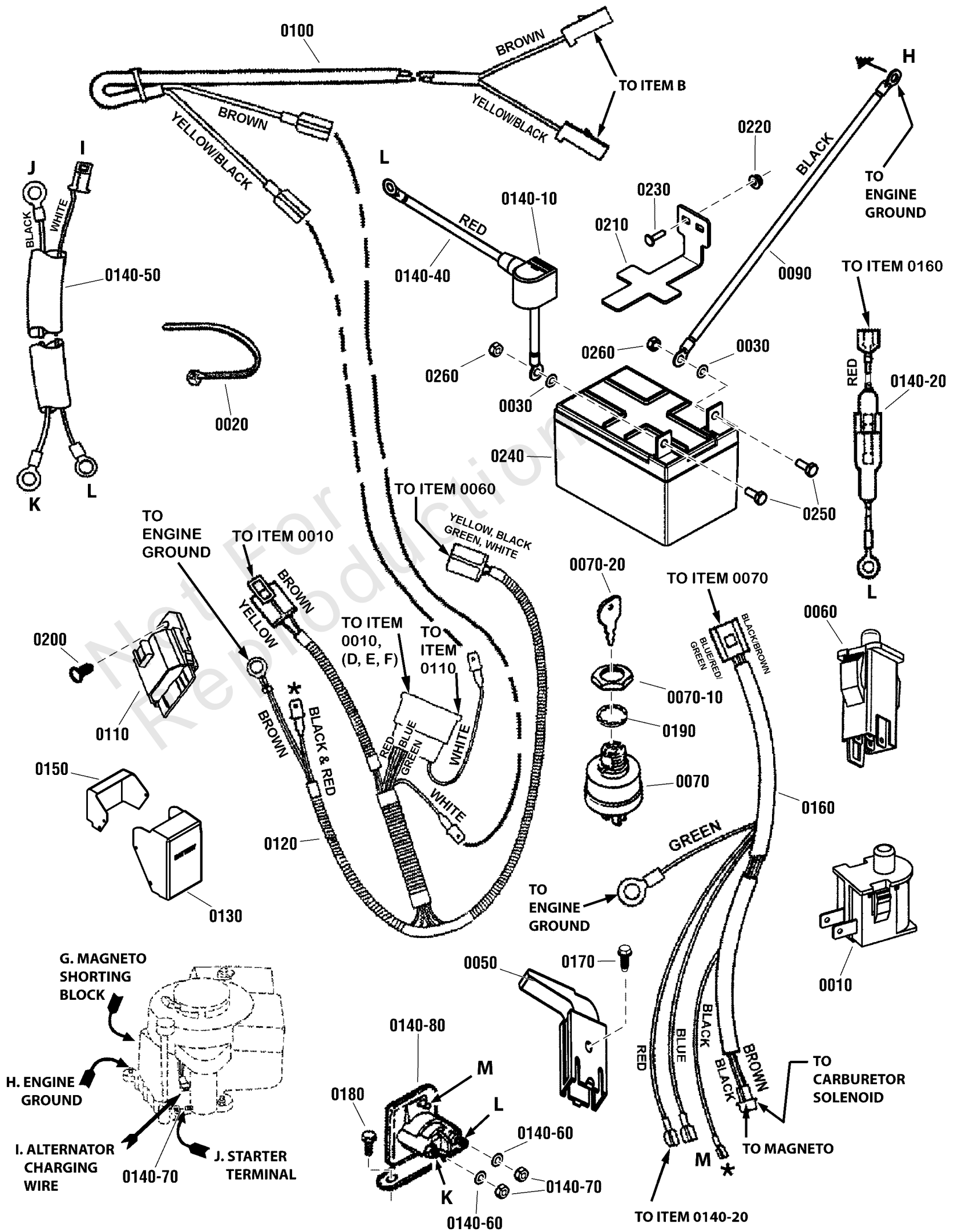
### Footnotes:

\* Kit also includes Boots, Clamps, Plugs, Shims, Washers & Instructions

# Electrical Group

Note: Unless noted otherwise, use the standard torque specifications

Mfg. No: 2691383-00





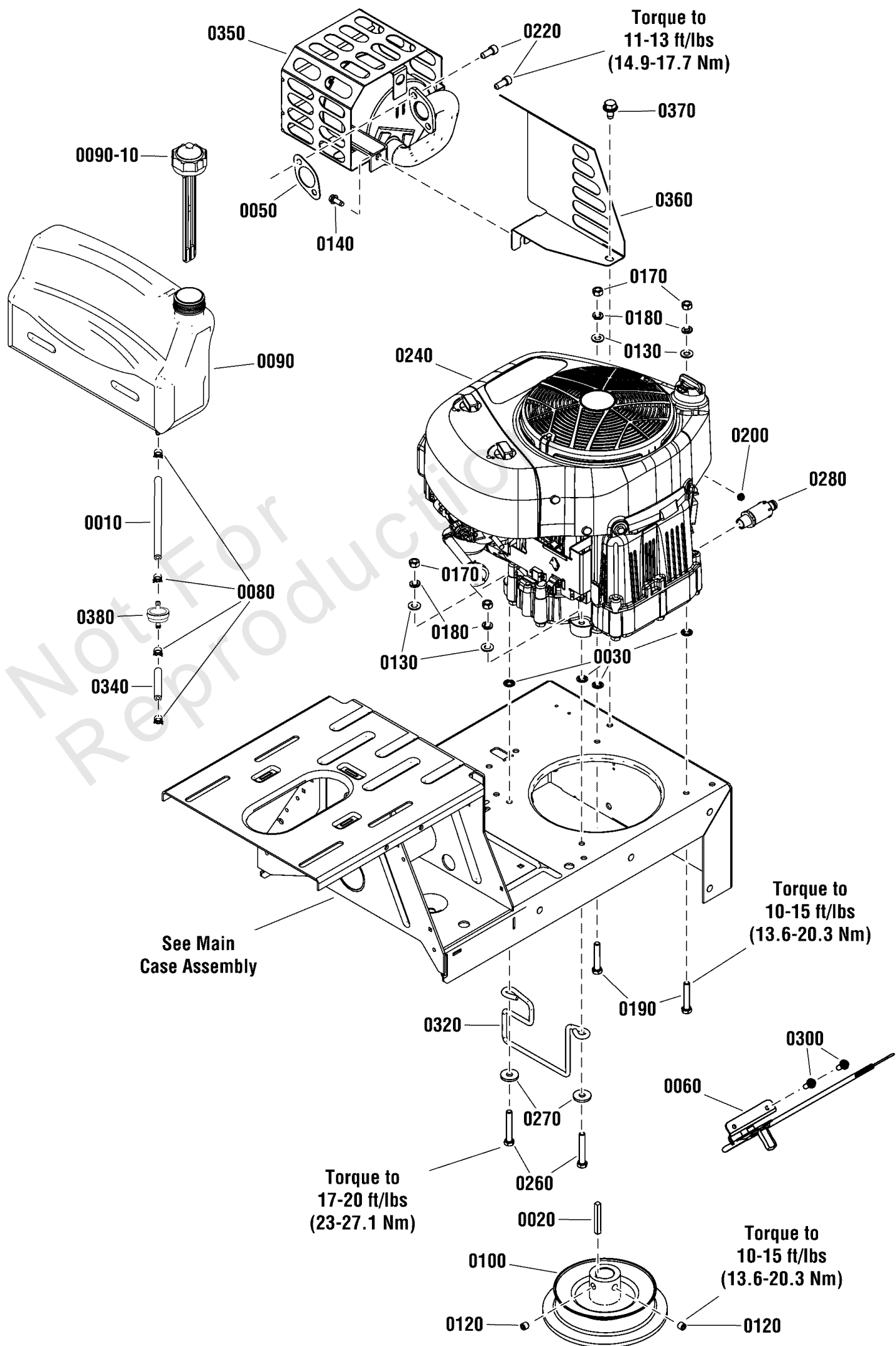
## Electrical Group

REF NO	PART NO	QTY	DESCRIPTION
0010	7023354YP	1	SWITCH, Seat, Push Button (NC)
0020	703586	4	TIE, 7, Self Locking
0030	703826	2	RETAINER, 1/4", Pushnut
0050	7018524YP	1	SWITCH, Deck Interlock (NO)
0060	7022886YP	1	SWITCH, DP, NO/NC, Snap-In
0070	7026343SM	1	SWITCH, Ignition-Afterfire Solenoid
0070-10	7015438YP	1	NUT, 5/8-32 Hex
0070-20	1737837YP		KEYS, Blister Pk (Kids+MWRS Don't Mix) English/French (set of two, one coated)
0090	7028027YP	1	CABLE, Battery, 8 Gauge, Black, 14", 1/4" Terminals
0100	7028386YP	1	HARNESS, Deck Interlock Wiring
0110	7028606YP	1	INTERLOCK MODULE, Briggs
0120	7028675YP	1	WIRE HARNESS, B&S (13.5, 14.5 & 17.5)
0130	7028990YP	1	COVER, Battery
0140-10	1677296SM	1	BOOT, Insulator, Battery Termnal, Red
0140-20	7016168YP	1	HOLDER, Fuse (Includes Fuse #7016168YP)
0140-40	7019326YP	1	WIRE, Positive, 17" Long, 8 AWG, 1/4" Terminal Holes, Red
0140-50	7022788YP	1	WIRE HARNESS, Starter
0140-60	703462	2	WASHER, 1/4 Internal Tooth Lock, YZ
0140-70	703127	2	NUT, 1/4-20, G5 Zinc/Clear
0140-80	7075671YP	1	SOLENOID, 12V, Super Trombetta, RER
0150	7073268YP	1	COVER, Solenoid
0160	7074406YP	1	WIRE HARNESS, Ignition Switch, 13.5, 14.5, 17.5 B&S
0170	7090299YP	1	SCREW, #10F X1, GR2, Hex Washer Self-Tap, ZP
0180	704130	2	SCREW, 1/4-20 X .500, Hex HD, Self-Tap, Zinc/Clear
0190	1960547SM	1	WASHER, 5/8 Internal Tooth Lock
0200	7091272YP	7	FASTENER, 1/4 x 3/4 Ratchet
0210	7301200BMYP	1	BRACKET, Battery, RER
0220	703917	1	NUT, #10-24, Hex Flanged Whiz Lock, ZC
0230	7900056YP	1	BOLT, #10-24 X 3/4, Carriage, GR2, YZ
0240	76001188YP	1	BATTERY, 12V 20HR: 190CCA, Sealed (3.9" W, 5.9" L, 4 to 4.7" H)(Includes Cable Attachment Hdwe.)

# Engine Group

Note: Unless noted otherwise, use the standard torque specifications

Mfg. No: 2691383-00

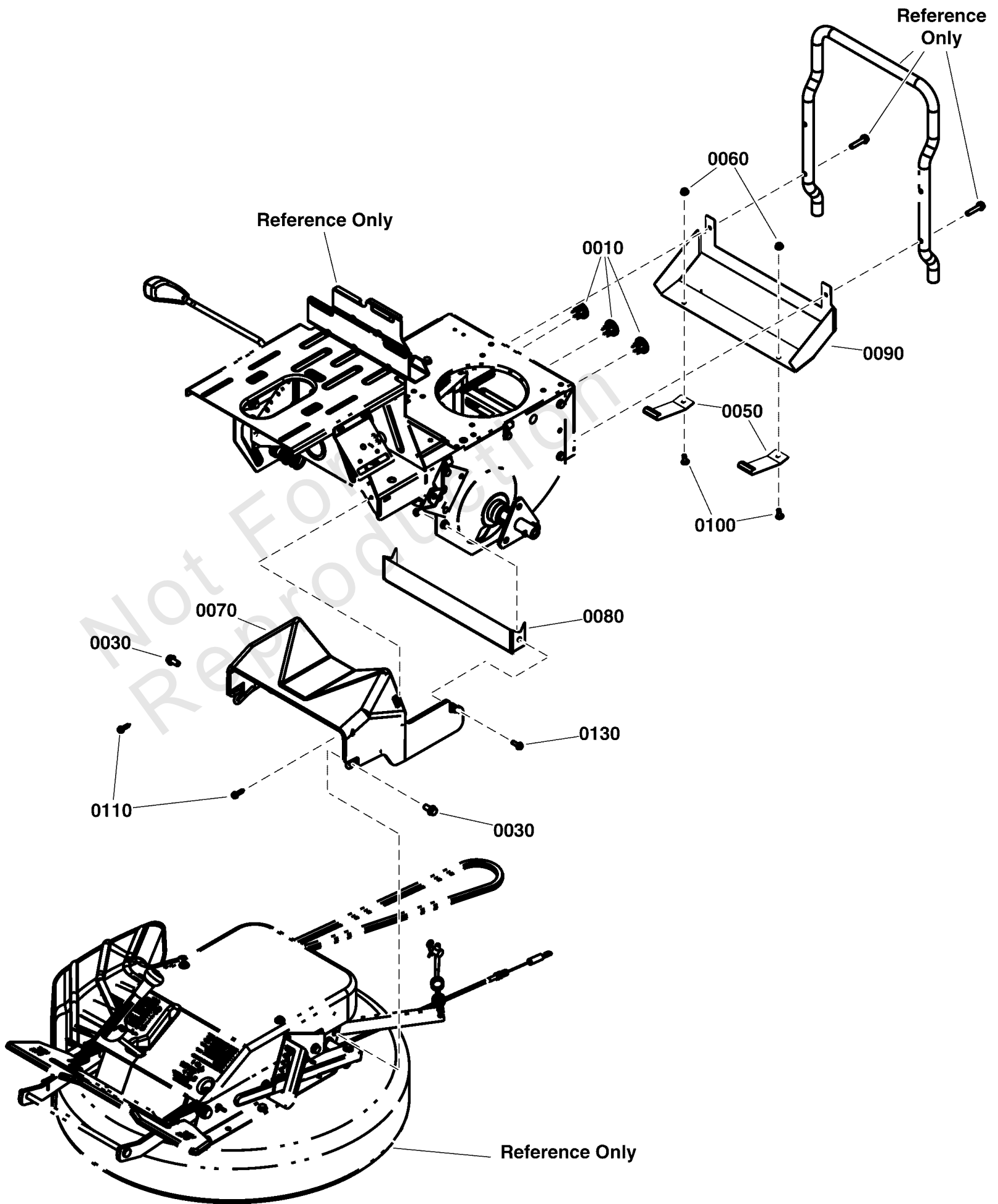


## Engine Group

REF NO	PART NO	QTY	DESCRIPTION
0010	1734994SM	1	HOSE, Fuel, .25" ID, .5" OD, 8.50" LG, Low Perm
0020	703890	1	KEY, 1/4 Square x 2 Long
0030	703297	4	RETAINER, 5/16 X 5/8
0050	7015352SM	1	GASKET, Exhaust
0060	7022751YP	1	CONTROL, Throttle (23.6" long) (Briggs Engines)
0080	791850	4	CLAMP, Hose
0090	7052435YP	1	ASSEMBLY, Fuel Tank with Gauge (Includes Cap w/Gage)
0090-10	7019377YP	1	CAP, Fuel Tank w/Gage
0100	7072658YP	1	DRIVE DISC, Steel, (4.56" P.D., 5.75 O.D. Pulley) -(25, 26, 28, & 41 Models)
0100	7074187YP	1	DISC, Steel Drive, (4.0" P.D., 5.15" O.D. Pulley) -(30" & 33" Models)
0120	7090132YP	2	SET SCREW, 3/8-16 x 3/8 Hex Recess Set
0130	703350	4	WASHER, 5/16, Flat SAE, Zinc/Clear
0140	703054	1	SCREW, Hex Washer Head, 1/4-20 x 5/8
0170	703331	4	NUT, 5/16-24, Hex, GR5, Zinc/Clear
0180	703116	4	WASHER, Split Lock, .32 x .58 x .08
0190	7091513YP	2	SCREW, 5/16-24 X 1.75, Hex Head Cap, GR5, Zinc/Clear
0200	703127	1	NUT, Hex, 1/4-20
0220	7091738SM	2	SCREW, Allen Socket Head, 5/16-18 x 3/4, GR8
0240	21R877-0060-B1	1	* ENGINE, Intek Series 3130, B&S, Euro, 21R877-0060-B1
0240	31R777-0043-B1	1	* ENGINE, B&S Intek Series 4175, Mod. #31R777-0043-B1
0260	704056	2	SCREW, 5/16-24 X 2, Hex Head Cap, GR5, Zinc/Clear
0270	703298	2	WASHER, 5/16
0280	7027972SM	1	ASSEMBLY, Oil Drain Valve, 2.775" Long
0300	704060	2	SCREW, Hex Washer Head, Self Tap, 10-24 x 1/2
0320	7105172BMYP	1	GUIDE, Belt, 1/4" Wire, 1.85" X 4.74" ID, 3.72" Tall, 5.74" Mount -(25, 26, 28, & 41 Models)
0320	7105173BMYP	1	GUIDE, Belt, 1/4" Wire, 1.45" X 5" ID, 3.72" Tall, 5.74" Mount -(30" & 33" Models)
0340	791766	1	LINE, Fuel -(Low Perm, Cut to Length)
0350	706121	1	MUFFLER w/Guard (Briggs 17.5HP)
0360	706122	1	SHIELD, Manifold, RER
0370	7091198SM	1	SCREW, Hex Washer Head, Self Tap, 3/8-16 x 5/8
0380	7104359YP	1	FILTER, Fuel (In-Line)

### Footnotes:

Note: \* Purchase engine parts from engine manufacture dealer.



## ***French Guard Group Euro RER***

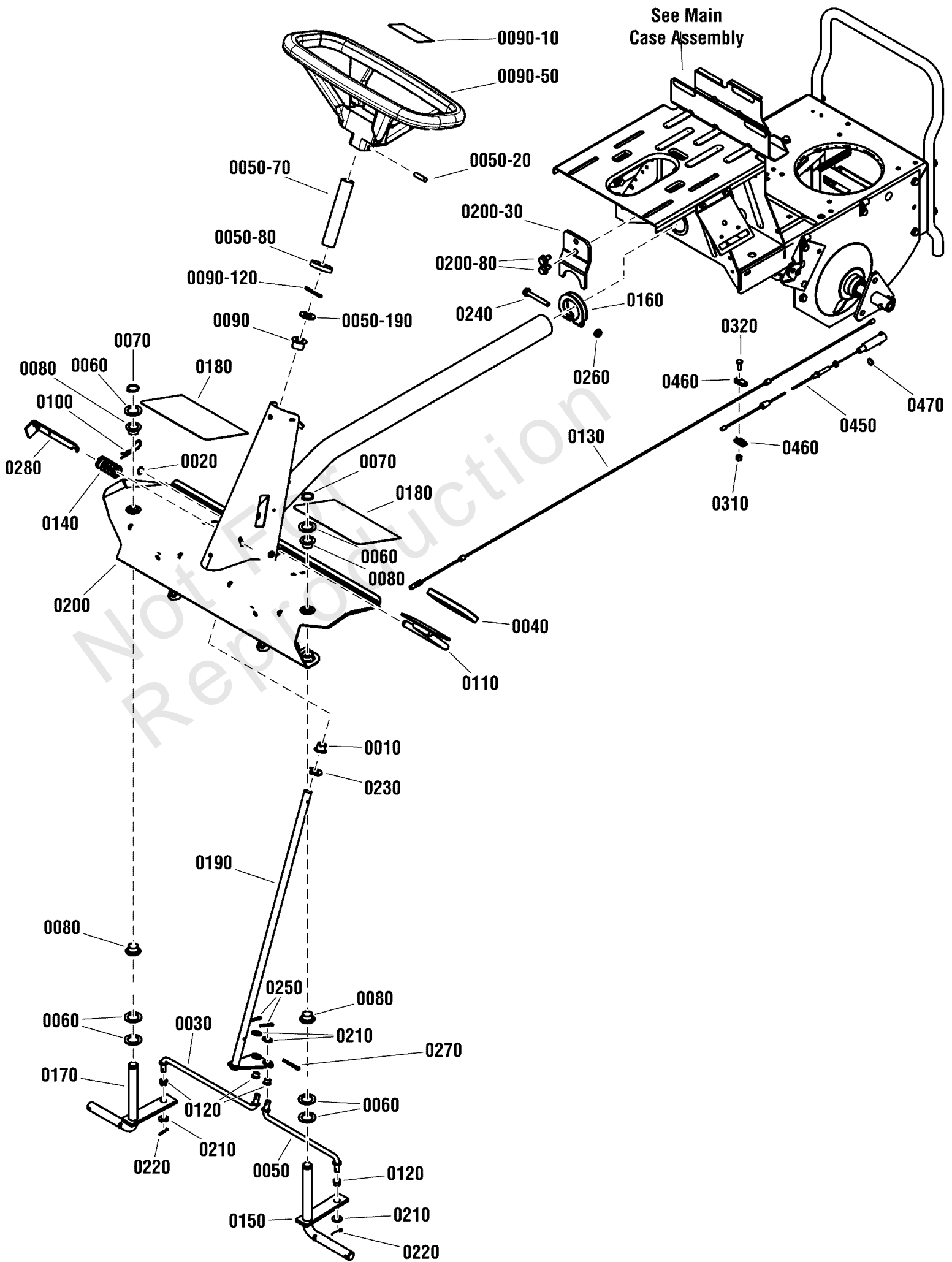
<b>REF NO</b>	<b>PART NO</b>	<b>QTY</b>	<b>DESCRIPTION</b>
0010	7024998YP	3	PLUG, 1 Hole
0030	703950	2	SCREW, Hex Washer Head, Thread Roll, 5/16-18 X 5/8
0050	703576	2	BOLT, Carriage, 1/4-20 x 3/4, G5
0060	703233	3	NUT, Serrated, Flange, 1/4-20, GR5
0070	7102769YP	1	ASSEMBLY, Guard Wire Form, Euro
0080	7300546BMYP	1	GUARD, Front Main Case, Euro, RER-Black
0090	7300547BMYP	1	GUARD, Rear Main Case, Euro, RER-Black
0100	7300548BMYP	2	GUARD, Strap, Euro, RER-Black
0110	0025X3MA	2	SCREW, Thread Forming, 1/4-20 x 1
0130	1935450SM	1	CAPSCREW, Hex Flange Head, 1/4-20 x 3/4, G5

Not For  
Reproduction

# Front End Group

Note: Unless noted otherwise, use the standard torque specifications

Mfg. No: 2691383-00



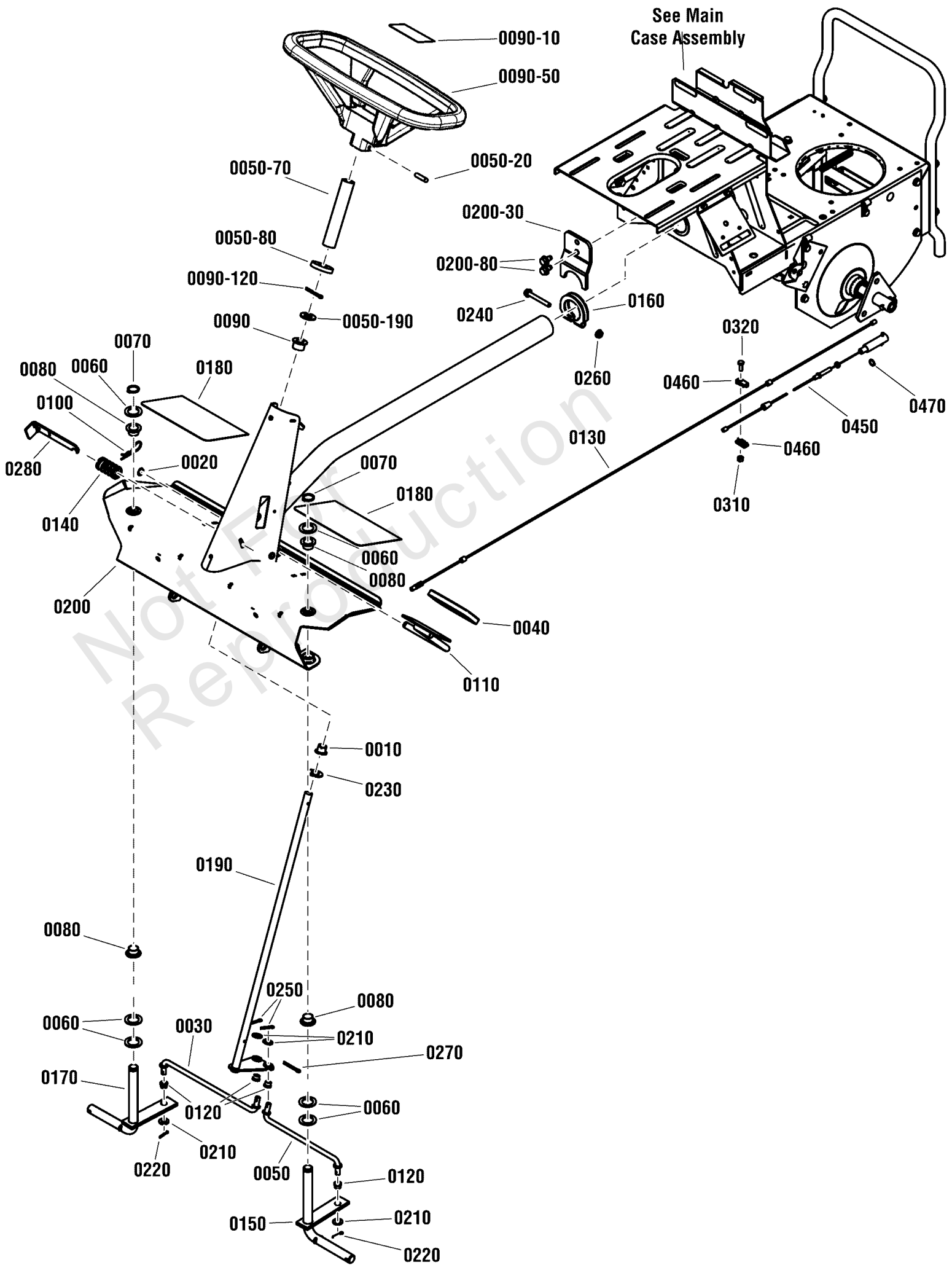
## Front End Group

REF NO	PART NO	QTY	DESCRIPTION
0010	7010694YP	1	BUSHING, Flanged Nylon, .63 ID, .692 OD, .625 Tall
0020	7010776YP	1	RING, 1/2" External Retaining
0030	7012540YP	1	TIE ROD, RH, 9.91" Long -(33" Models)
0030	7012933YP	1	TIE ROD, Right Hand (7.41" long) -(28" Models)
0040	7011815YP	1	PAD, Clutch/Brake Pedal
0050	7012541YP	1	TIE ROD, LH, 9.91" Long -(33" Models)
0050	7013023YP	1	TIE ROD, Left Hand (7.41" long) -(28" Models)
0050-20	7013862YP	1	ROLL PIN, 1/4 x 1-1/2"
0050-70	7023667YP	1	COVER, Foam, Steering Shaft
0050-80	7023671YP	1	COVER, Steering Shaft
0050-190	7090183YP	1	WASHER, Flat, .656X1.312X.094, ZC/CL
0060	703151	6	WASHER, .766 ID X 1.06 OD X .07
0070	703975	2	RETAINING RING, 3/4" ID, ZC/CL
0080	7010986YP	4	BEARING, Flanged Nylon, .760 ID, .830 OD, .563 Tall
0090	7046158YP	1	BUSHING, Flanged Nylon Steering Upper, .63 ID, .97 OD, .66 Tall
0090-10	7023781YP	1	LOGO, Steering Wheel, Snapper
0090-50	7058030YP	1	ASSEMBLY, Steering Wheel (for 5/8 shaft)(Includes 7023781)
0090-120	7090296	1	PIN, 3/16 x 1" Cotter
0100	7011714YP	1	HAIR PIN, 2.25, .094, ZP
0110	7047888BMYP	1	WELDMENT, Clutch/Brake Pedal
0120	7013321YP	4	BUSHING, Flanged Tie Rod, .385 ID, .508 OD, .39 Tall
0130	7074131YP	1	CABLE, 33" Clutch/Brake, 55" Long -(33" Models)
0130	7022449YP	1	CABLE, 28" Clutch/Brake, 54.32 Long -(28" Models)
0140	7015444YP	1	SPRING, Parking Brake Latch
0150	1760945BMYP	1	WELDMENT, King Pin, Left Hand, Black
0160	7031100YP	1	CLAMP, Tube
0170	1760946BMYP	1	WELDMENT, King Pin, Right Hand, Black
0180	7105143	2	FOOTPAD, Wide (5.5 x 8.0) -(33" Models)
0180	7105147	2	FOOT PAD, Short (5.5 x 4.7) -(28" Models)
0190	7046232YP	1	WELDMENT, Steering Shaft, Black
0200	7053266D	1	WELDMENT, Front Axle, Wide, Red -(33" Models)
0200	7054378D	1	WELDMENT, Front Axle, Narrow, Red -(28" Models)
0200-30	7074210YP	1	BRACKET, Belt Adjuster
0200-80	7091198SM	2	SCREW, Hex Washer Head, Self Tap, 3/8-16 x 5/8
0210	703590	4	WASHER, .406
0220	703958	4	PIN, 1/8 X 0.75, Cotter, Zinc/Clear
0230	7090183YP	1	WASHER, Flat, .656X1.312X.094, ZC/CL
0240	7090358YP	1	SCREW, 5/16-24 x 2-1/2" Hex Head Cap, GR 5
0250	703984	2	PIN, 5/32 x 1, Cotter, ZC/CL
0260	704279	1	NUT, 5/16-24 Hex Flange Lock, BZ
0270	703983	1	PIN, Cotter
0280	7038243YP	1	LATCH, Parking Brake
0310	703251	1	Nut, Hex Centerlock, 1/4-20, GR5
0320	703925	1	CAPSCREW, Hex Head, 1/4-20 x 5/8, GR5

# Front End Group

Note: Unless noted otherwise, use the standard torque specifications

Mfg. No: 2691383-00





## Front End Group

---

REF NO	PART NO	QTY	DESCRIPTION
0450	7101192YP	1	CABLE, Brake, Snap-In
0460	7034174YP	2	CONNECTOR, Cable (Single Part)
0470	7012313SM	1	RETAINING RING, .375, External

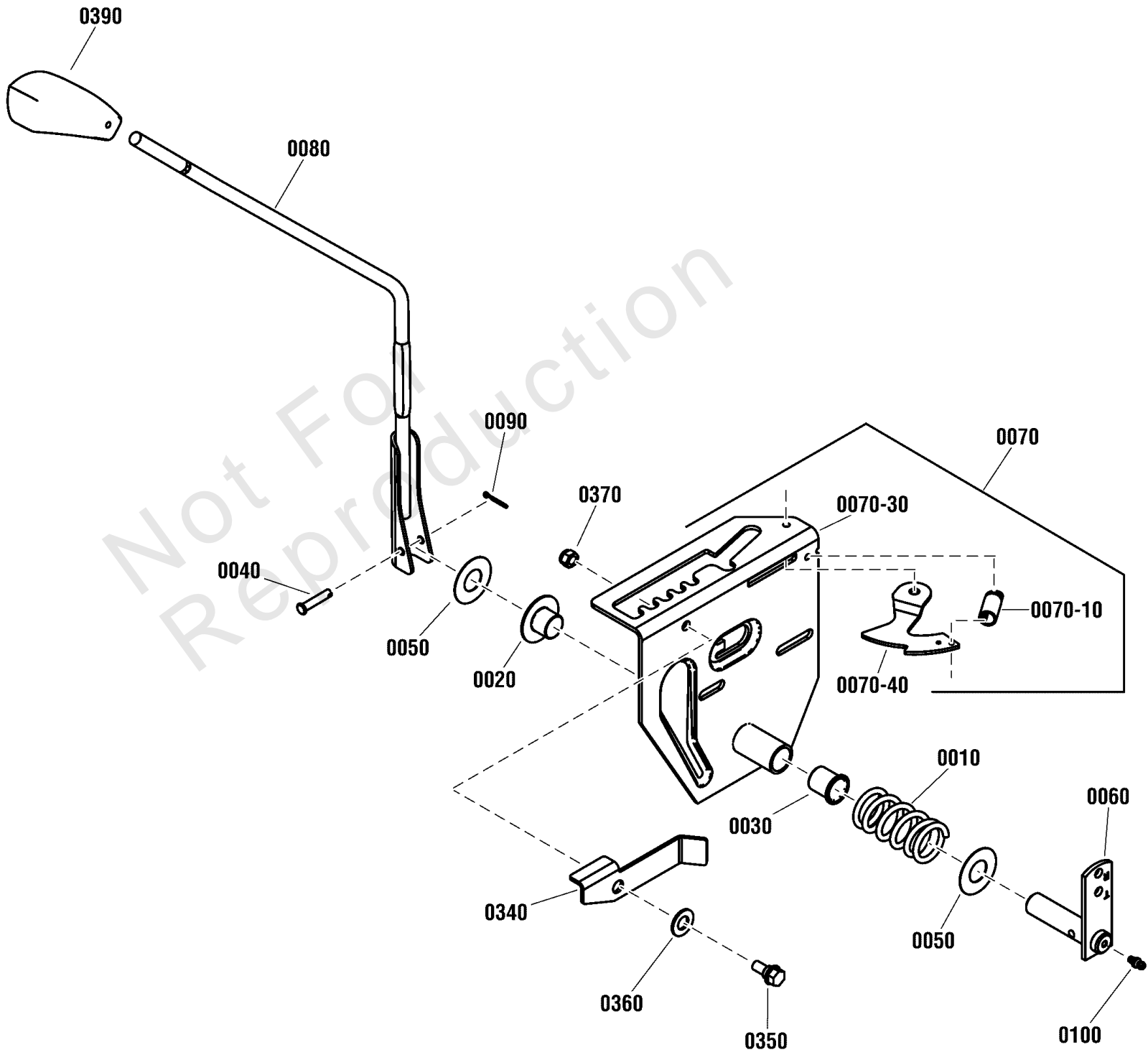
---

Not For  
Reproduction

# Gear Shifter Assembly

Note: Unless noted otherwise, use the standard torque specifications

Mfg. No: 2691383-00



## ***Gear Shifter Assembly***

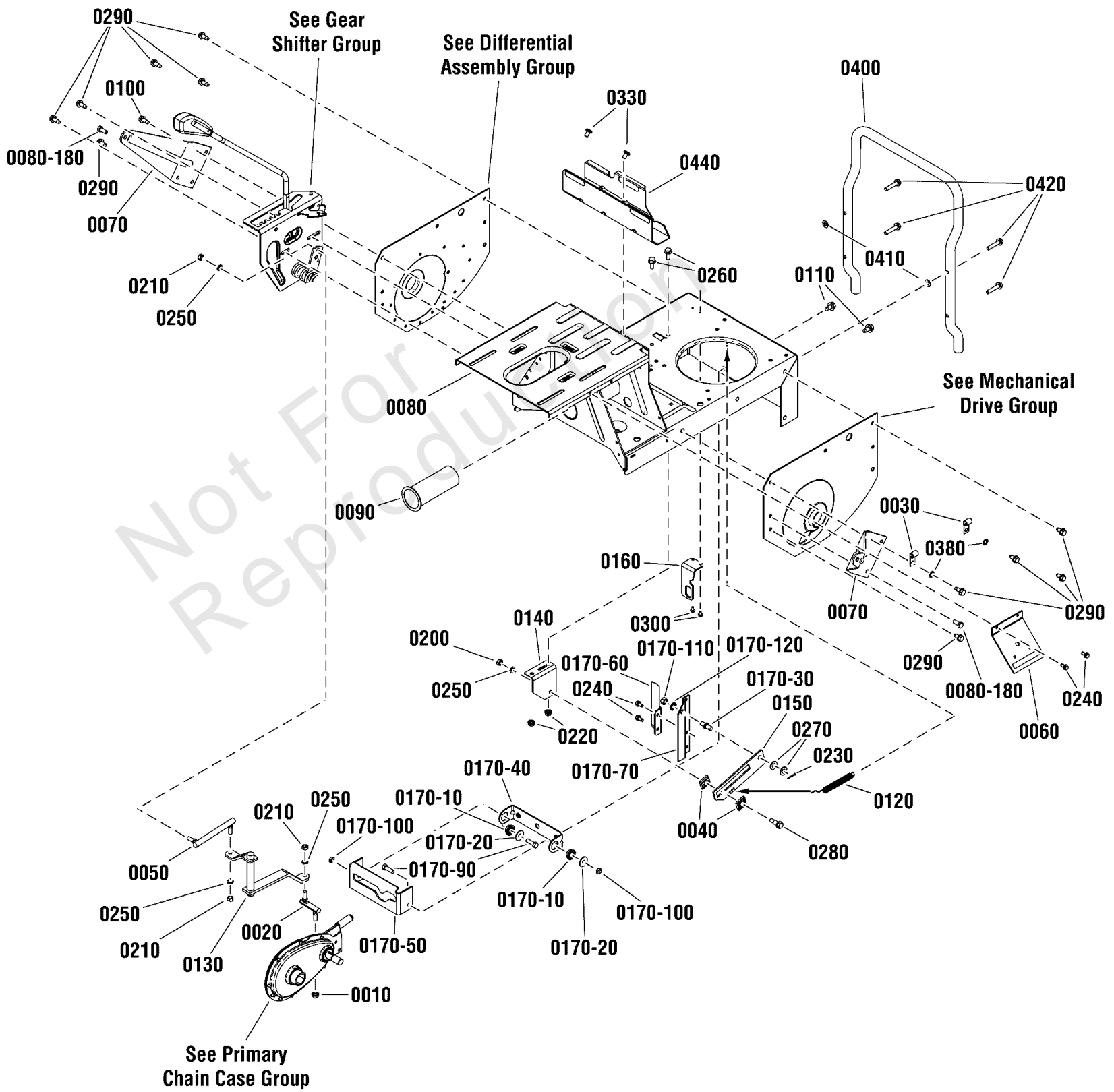
<b>REF NO</b>	<b>PART NO</b>	<b>QTY</b>	<b>DESCRIPTION</b>
0010	7010754YP	1	SPRING, Shift Detent
0020	7019245YP	1	BUSHING, 3/4 ID, 1.62 Flange (Nylon)
0030	7019246YP	1	BUSHING, 3/4 ID, 1 Flange (Nylon)
0040	7023914YP	1	PIN, Clevis, .25 X 1.25 YZ
0050	7031036YP	2	WASHER, Thrust .76 ID, 1.62 OD, .025 Thick
0060	7043201BMYP	1	WELDMENT, Shift Arm
0070	7600139YP	1	ASSEMBLY, Shift Detent & Latch
0070-10	7026292YP	1	SPRING
0070-30	7041232YP	1	WELDMENT, Shift Detent
0070-40	7073218YP	1	STOP, Reverse, RER
0080	7059212BMYP	1	WELDMENT, Shift Handle
0090	703312	1	PIN, 3/32 X 3/4, GR5, Cotter, Zinc/Clear
0100	7010817SM	1	LUBE FITTING, No Check Ball (Press fit to .187" hole)
0340	7073289YP	1	LEVER, Over-Ride
0350	703839	1	BOLT, 5/16-18 X .750, Hex Washer Head Shoulder, Zinc/Clear
0360	703183	1	WASHER, .922 X .065 X .065, Flat, Zinc/Clear
0370	703902	1	NUT, 5/16-18, Hex Nylock, Zinc/Clear
0390	7023656YP	1	GRIP, Shift Handle

Not For  
Reproduction

# Main Case Assembly

Note: Unless noted otherwise, use the standard torque specifications

Mfg. No: 2691383-00



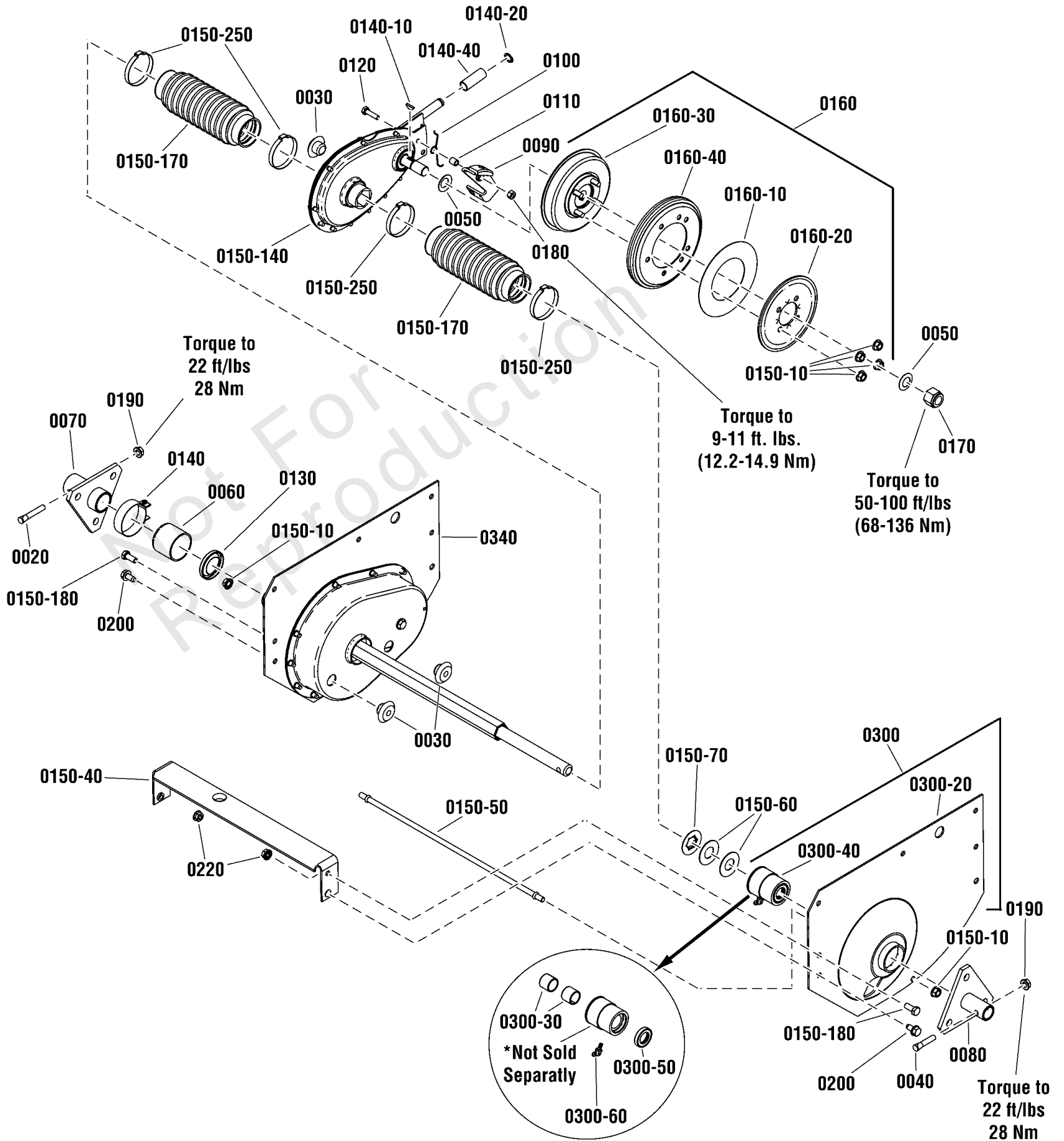
## Main Case Assembly

REF NO	PART NO	QTY	DESCRIPTION
0010	703123	1	NUT, 5/16-24, Serated Flange, Zinc/Clear, GR5
0020	7011018YP	1	SHIFT LINK, Short (1.44 Long, 5/16-24 thread)
0030	7012652YP	2	CLIP, Wire, 7/16
0040	7014663YP	2	SLIDE HALF
0050	7023676YP	1	SHIFT LINK, Long (5/16-24 both ends)
0060	7033470YP	1	PLATE, Throttle
0070	7034299YP	2	WING, Rear
0080	7053697YP	1	WELDMENT, Maincase, Standard, RER
0080-180	704287	4	SCREW, 5/16-18 x 3/4 Hex Head Cap, GR 5, YZ
0090	7074650YP	1	BUSHING, Pivot, 1.89X5.88X.1
0100	7090793YP	2	SCREW, 5/16-18 X 3/4, Hex Washer Self-Tap
0110	7091198SM	2	SCREW, 3/8-16 x 5/8" Hex Washer Self-Tap, BP
0120	7013885YP	1	SPRING, Clutch / Brake
0130	7041384YP	1	WELDMENT, Shift Arm
0140	7047189BMYP	1	BRACKET, Drive Support
0150	7047190BMYP	1	SLIDE, Drive Support
0160	7073735YP	1	BRACKET, Switch
0170-10	7011048YP	2	BEARING, Yoke
0170-20	7011763YP	2	WASHER, 5/16" I.D. 1" O.D. Fender
0170-30	7015464YP	1	STUD, Clutch Link (3/8-24 thread)
0170-40	7033291YP	1	COLLAR, Yoke
0170-50	7046162YP	1	YOKE, M Series RER
0170-60	7600141YP	1	KIT, Leaf Spring Assembly
0170-70	7073733YP	1	ARM, Yoke
0170-90	703301	2	SCREW, 5/16-24 x 1 Hex Head Cap, GR 5, BZ
0170-100	703459	2	NUT, 5/16-24, Hex Crown Lock, GR C, Zinc/Clear
0170-110	703895	1	NUT, 3/8-24, Hex, GR 5, Zinc/Clear
0170-120	703930	1	WASHER, 3/8" Internal Tooth Lock, Type A, ZC/CL
0200	703465	1	NUT, 5/16-18, Hex, GR5, Zinc/Clear
0210	703331	3	NUT, 5/16-24, Hex, GR5, Zinc/Clear
0220	73409	4	NUT, 5/16-18, Serated Lock Flange, GR5, Zinc/Clear
0230	703312	1	PIN, 3/32 X 3/4, GR5, Cotter, Zinc/Clear
0240	704130	4	SCREW, 1/4-20 X .500, Hex HD, Self-Tap, Zinc/Clear
0250	703116	4	WASHER, 5/16 Split Lock, YZ
0260	703354	2	SCREW, Flange, Whiz-Lock, 5/16-18 X 3/4
0270	703590	2	WASHER, .406
0280	703428	1	BOLT, 5/16-18 x .530 Shoulder, GR 2, Zinc/Clear
0290	703949	8	SCREW, 5/16-18 X .625, Hex Washer Head, Thread Roll, Zinc/Clear
0300	703967	2	SCREW, #10-32 x 3/8, Torx Hex Washer Head Self-Tap, ZC/CL
0330	703932	2	SCREW, 5/16-18 x 1/2" Torx Pan Head, BZ
0380	703587	2	WASHER, 5/16, Internal Lock, Zinc/Clear
0400	7036367BMYP	1	BUMPER, Rear
0410	703350	2	WASHER, 5/16, Flat SAE, Zinc/Clear
0420	704318	4	SCREW, Hex Washer Self-Tap, 5/16-18 x 1-1/2
0440	7033377BMYP	1	BRACKET, Fuel Tank

# Mechanical Drive Group

Note: Unless noted otherwise, use the standard torque specifications

Mfg. No: 2691383-00



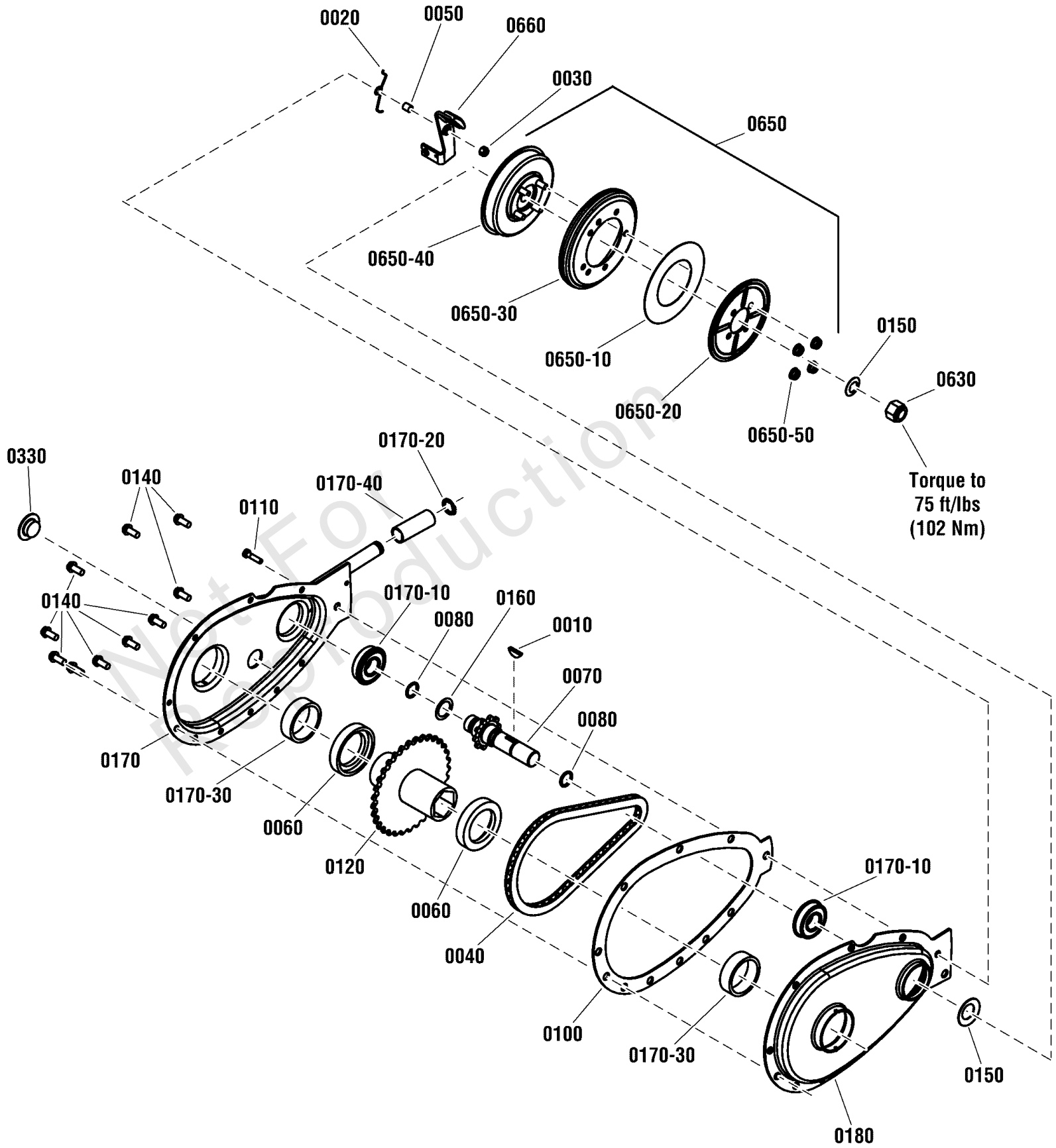
## Mechanical Drive Group

REF NO	PART NO	QTY	DESCRIPTION
0020	7011013YP	1	BOLT, 5/16-24 x 2 Tapered, Axle (Right Hand)
0030	7011024YP	3	PLUG, 3/4 Hole
0040	7011035YP	1	BOLT, 5/16-24 x 1-5/8 Tapered, Axle (Left Hand)
0050	7011121SM	2	WASHER, 5/8" I.D., 1-1/4" O.D. Belleville
0060	7031732YP	1	CAP, Seal 1.0 ID x 1.67 OD
0070	7040433YP	1	HUB, Rear Wheel, 3 Hole 1.25 ID, RH
0080	7040434YP	1	HUB, Rear Wheel, 3 Hole 3/4 ID, LH
0090	7052497YP	1	ASSEMBLY, Brake Lever & Pad
0100	7072406YP	1	SPRING, Brake Return Torsion
0110	7072593YP	1	SPACER, Brake Arm Pivot (.265 ID, .375 OD, .418 long)
0120	7091504YP	1	SCREW, 1/4-28 X 1, Hex HD, GR5 BZ
0130	7011817YP	1	SEAL, 1.22 ID x 1.875 OD
0140	7012332YP	1	CLAMP, 2 ID
0140-10	7010614YP	1	KEY, #5 (1/8 x 5/8) Woodruff
0140-20	7010776YP	1	RETAINING RING, 1/2"
0140-40	7022785YP	1	ROLLER, 1-3/8 Long
0150-10	703123	6	NUT, 5/16-24, Serated Flange, Zinc/Clear, GR5
0150-40	7033799YP	1	BRACE, Cross
0150-50	7011070YP	1	TIE ROD, (5/16-24 thread- both ends)
0150-60	7011071YP	2	WASHER, Thrust, (.765 ID, 1.625 OD)(Nylon)
0150-70	7011072YP	1	WASHER, Thrust, (Hex Flanged)
0150-140	7052683YP	1	ASSEMBLY, Primary Chain Case
0150-170	7075115YP	2	BOOT, Rear Axle, Thick Flange
0150-180	704287	2	SCREW, 5/16-18 x 3/4 Hex Head Cap, GR 5, YZ
0150-250	7105184YP	4	CLAMP, 2 ID, Oetiker
0160	7600208YP	1	KIT, Smooth Clutch Assembly
0160-10	7014523YP	1	WASHER, Thrust
0160-20	7032331YP	1	PLATE, Smooth Clutch
0160-30	7600142YP	1	ASSEMBLY, Driven Hub & Cup
----	703935	4	BOLT, 5/16-24 x 1-1/8" Rib Neck, GR 5, ZC/BK (Not Shown)
0160-40	7600135YP	1	DRIVEN DISC, Rubber, Smooth Start Clutch
0170	703432	1	NUT, 5/8-18, Nylon Insert Lock, Zinc/Clear
0180	703972	1	NUT, 1/4-28 Hex Top Lock, GR 5, BZ
0190	704279	2	NUT, 5/16-24 Hex Flange Lock, BZ
0200	703949	2	SCREW, 5/16-18 X .625, Hex Washer Head, Thread Roll, Zinc/Clear
0220	703409	2	NUT, Serrated Lock Flange, 5/16-18
0300	7503036YP	1	ASSEMBLY, LH Fender, RER-RE
0300-20	7301302YP	1	FENDER, 1.625 ID Hole, LH, RER-RE
0300-30	7074182YP	2	BEARING, DX, 3/4" ID
0300-40	7052827YP	1	ASSEMBLY, Axle Bearing, 3/4" ID, PM
0300-50	7074500YP	1	SEAL, .750X1.25X.25, Dust / Grease
0300-60	7075848YP	1	FITTING, Lube, 45 Degree, 3/16 w/Hex (long shank)
0340	7600229YP	1	KIT, Differential Assembly

# Primary Chain Case

Note: Unless noted otherwise, use the standard torque specifications

Mfg. No: 2691383-00





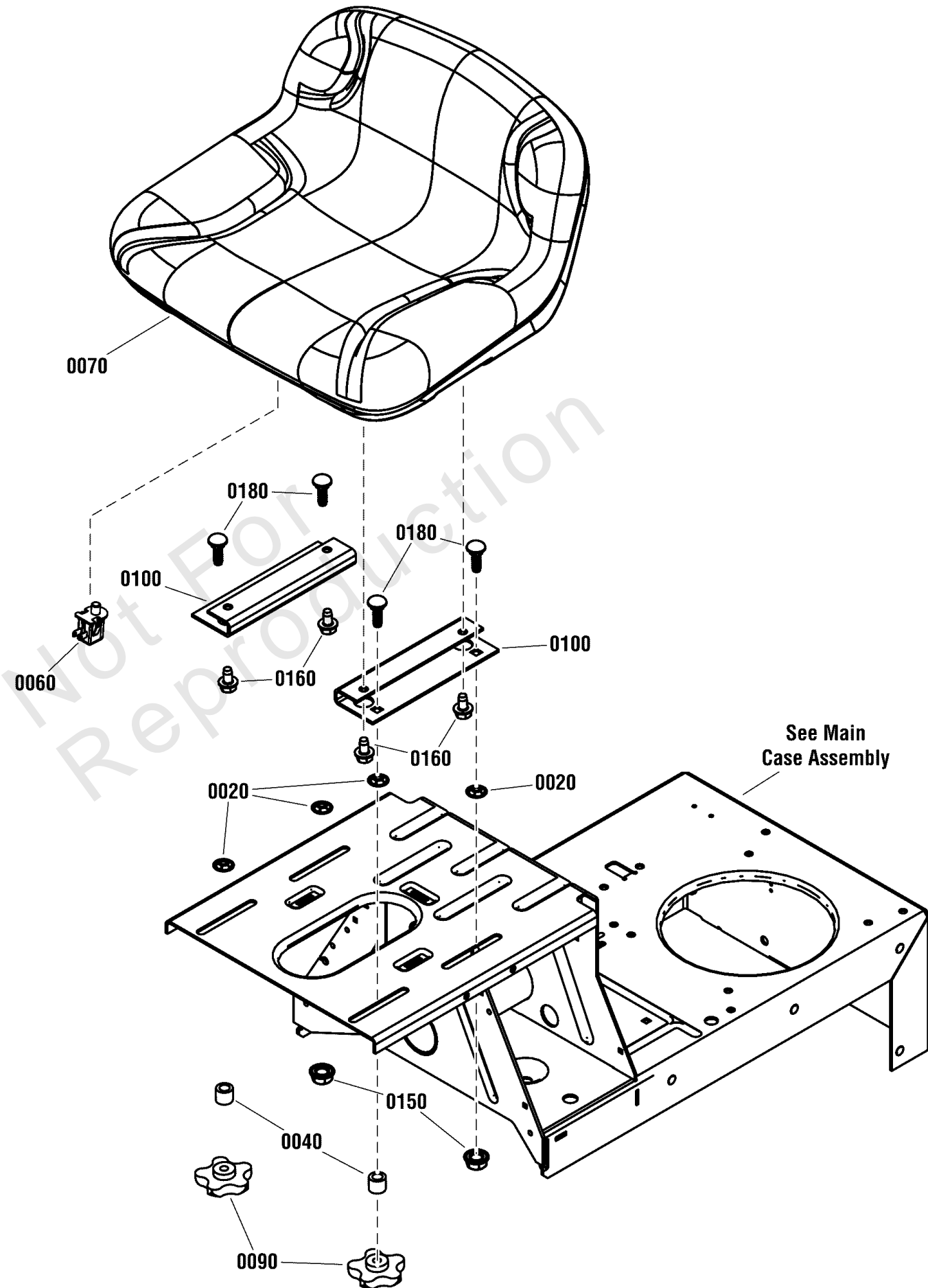
## Primary Chain Case

REF NO	PART NO	QTY	DESCRIPTION
----	7052683YP	1	ASSEMBLY, Primary Chain Case -(Contains all except Rubber Disc and Brake related parts)
0010	7010614YP	1	KEY, #5 (1/8 x 5/8) Woodruff
0020	7072406YP	1	SPRING, Brake Return Torsion
0030	703972	1	NUT, 1/4-28 Hex Top Lock, GR 5, BZ -(Was 7090303)
0040	7010941YP	1	CHAIN, 46 Pitch (#35 Endless)
0050	7072593YP	1	SPACER, Brake Arm Pivot (.265 ID, .375 OD, .418 long)
0060	7011086YP	2	WASHER, Thrust, Nylon
0070	7018963YP	1	WELDMENT, Sprocket & Shaft
0080	7019260YP	2	O-RING, 1/2 x 5/8"
0100	7028761YP	1	GASKET, Primary Chain Case
0110	7091504YP	1	SCREW, 1/4-28 X 1, Hex HD, GR5 BZ
0120	7040355YP	1	WELDMENT, Hub & Sprocket
0140	704060	10	SCREW, #10-24 x 1/2 Hex Washer Self-Tap (Torx), Zinc/Clear
0150	7011121SM	2	WASHER, Belleville .64 x 1.125 x .028
0160	7027981YP	1	WASHER, Wave .625 x .875
0170	7041136YP	1	WELDMENT, Primary Chain Case Half, RH
0170-10	7010756YP	2	BEARING, Ball 5/8 ID x 1-3/8 OD
0170-20	7010776YP	1	RING, 1/2 External Retaining
0170-30	7010942YP	2	BEARING, Needle 1.355 ID x 1.6245 OD x .5 Wide
0170-40	7022785YP	1	ROLLER, 1-3/8 Long
0180	7039778YP	1	COVER, Primary Chain Case, LH
0330	7011024YP	1	PLUG, 3/4"
0630	703432	1	NUT, 5/8-18, Nylon Insert Lock, Zinc/Clear
0650	7600136YP	1	KIT, Smooth Clutch Assembly
0650-10	7014523YP	1	WASHER, Thrust
0650-20	7032331YP	1	PLATE, Smooth Clutch
0650-30	7600135YP	1	DRIVEN DISC, Rubber, Smooth Start Clutch
0650-40	7600142YP	1	ASSEMBLY, Driven Hub & Cup -(Incl. Ref. 0650-60)
0650-50	703123	4	NUT, 5/16-24 Hex Flange Lock, BZ
0650-60	703935	4	SCREW, 5/16-24 x 1-1/8 Rib Neck, GR 5 (Not Shown)
0660	7052497YP	1	ASSEMBLY, Brake Lever & Pad

# Seat Group

Note: Unless noted otherwise, use the standard torque specifications

Mfg. No: 2691383-00



## Seat Group

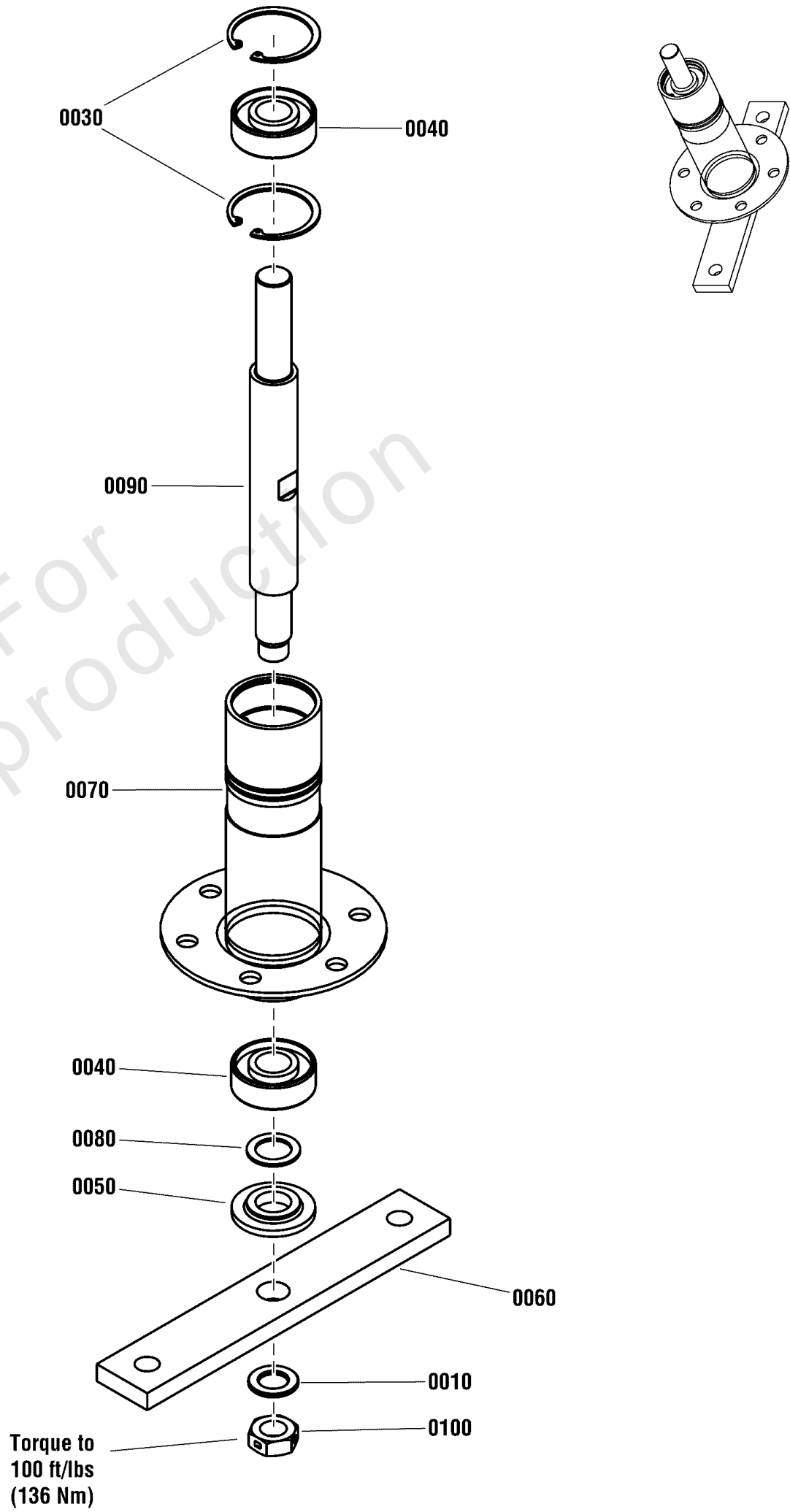
REF NO	PART NO	QTY	DESCRIPTION
0020	703297	4	RETAINER, 5/16 X .625, Push Nut, GR 5, Zinc/Clear
0040	703970	2	SPACER, .623 OD x .328 ID x .151 L
0060	7023354YP	1	SWITCH, Seat, Push Button (NC)
0070	7600194YP	1	KIT, Seat, 12" Back w/Switch Hole
0090	7105085YP	2	KNOB, 5/16-18, Handle, Fluted 5 Prong, Black
0100	7075018BMYP	2	PLATE, Seat Adapter
0150	704001	2	NUT, 5/16-18 Large Flange Center Lock, ZC/CL
0160	703354	4	SCREW, Flange, Whiz-Lock, 5/16-18 X 3/4
0180	703800	4	BOLT, 5/16-18 X 1.0, Short Neck Carriage, ZC/CL

Not For  
Reproduction

# Spindle Assembly

Note: Unless noted otherwise, use the standard torque specifications

Mfg. No: 2691383-00



## Spindle Assembly

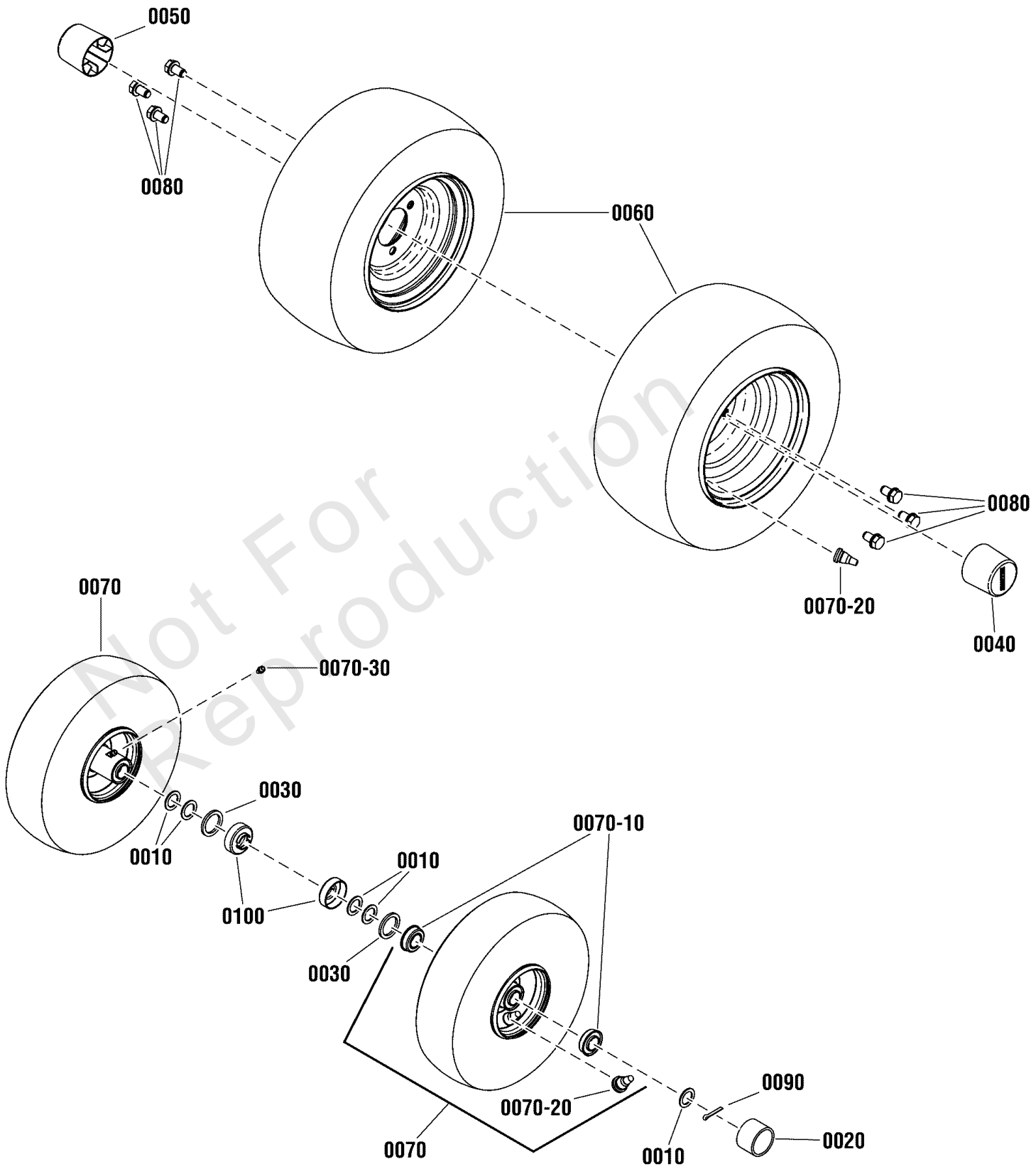
REF NO	PART NO	QTY	DESCRIPTION
0010	7010935SM	1	WASHER, .77 x 1.13 x .06, Flat
0030	7012491SM	2	RING, 1.85, Internal Retaining
0040	7013313SM	2	BEARING, Ball, 1.78 OD, .750 ID, .610 Wide
0050	7014407SM	1	WASHER, Spindle, .75 ID, 1.75 OD, .28 Thick, PM
0060	7031184YP	1	HOLDER, Blade (3 Hole)
0070	7040460BMYP	1	WELDMENT, Spindle Housing, 7.5" Tall
0080	7044782YP	1	SPACER, Blade Centering (.63 X 1.05 X .094)
0090	7044785YP	1	SPINDLE, Rider (10.327" overall length)
0100	7090356YP	1	NUT, 5/8-18 Hex Center Lock Jam, GR5, ZP
----	7600138YP	1	KIT, Spindle Assembly -(Includes all above)

Not For  
Reproduction

# Wheel Group

Note: Unless noted otherwise, use the standard torque specifications

Mfg. No: 2691383-00



## Wheel Group

REF NO	PART NO	QTY	DESCRIPTION
0010	7010935SM	6	WASHER, .77 x 1.13 x .06, Flat
0020	7011022YP	2	HUBCAP
0030	7011032YP	2	SEAL, Felt
0040	7023522YP	1	CAP, Hub, L.H., .975 ID x 2.25"
0050	7023895YP	1	CAP, Hub, R.H., 1.35 ID x 2.25"
0060	7106091YP	2	ASSEMBLY, Rear Wheel, K358, 15x6.50-8, Kenda
0060-10	7012163YP	2	RIM, 8X5.375 3 Hole, Extra Wide (For 16/7.50 x 8 Tire) -(Not Shown)
0070	7106384YP	2	ASSEMBLY, Front Wheel, 11x4.00 - 4
0070-10	7011807YP	4	BEARING, Ball, Flanged (3/4 ID, 1-3/8 OD)
0070-20	7012234SM	4	AIR VALVE STEM, Snap-In
0070-30	7014669YP	2	LUBE FITTING, Straight (Press into 3/16 hole)
0070-40	7010821YP	2	TUBE, Inner (For 4.10/3.50 x 4 Tire - Not Standard) -(Not Shown)
0080	703431	6	BOLT, 1/2-20 X .750, Hex Washer Dog Point, ZC/CL
0090	703984	2	PIN, 5/32 x 1, Cotter, ZC/CL
0100	7031038YP	2	CAP, Dust

Not For  
Reproduction

# Hardware Identification & Torque Specifications

Torque Specification Chart								
FOR STANDARD METRIC MACHINE HARDWARE (Tolerance ± 20%)								
Property Class	5.6		8.8		10.9		12.9	
	Class 5.6		Class 8.8		Class 10.9		Class 12.9	
Size Of Hardware	in/lbs	Nm.	in/lbs	Nm.	in/lbs	Nm.	in/lbs	Nm.
	ft/lbs		ft/lbs		ft/lbs		ft/lbs	
M3	5.88	.56	13.44	1.28	19.2	1.80	22.92	2.15
M4	13.44	1.28	30.72	2.90	43.44	4.10	52.56	4.95
M5	26.4	2.50	60.96	5.75	5.97	8.10	7.15	9.7
M6	44.64	4.3	7.3	9.9	10.3	14	12.1	16.5
M7	5.2	7.1	12.1	16.5	16.9	23	19.9	27
M8	7.7	10.5	17.7	24	25	34	29	40
M10	15	21	35	48	50	67	59	81
M12	26	36	61	83	86.2	117	103	140
M14	42	58	101	132	136	185	162	220
M16	64	88	147	200	210	285	250	340
M18	89	121	202	275	287	390	346	470
M20	126	171	290	390	405	550	486	660
M22	169	230	390	530	559	745	656	890
M24	217	295	497	375	708	960	840	1140
M27	320	435	733	995	1032	1400	1239	1680
M30	435	590	995	1350	1401	1900	1681	2280
M33	590	800	1349	1830	1902	2580	2278	3090
M36	759	1030	1740	2360	2441	3310	2935	3980
M39	988	1340	2249	3050	3163	4290	3798	5150

Torque Specification Chart						
FOR STANDARD MACHINE HARDWARE (Tolerance ± 20%)						
Hardware Grade	No Marks		SAE Grade 5		SAE Grade 8	
	SAE Grade 2		SAE Grade 5		SAE Grade 8	
Size Of Hardware	in/lbs	Nm.	in/lbs	Nm.	in/lbs	Nm.
	ft/lbs		ft/lbs		ft/lbs	
8-32	19	2.1	30	3.4	41	4.6
8-36	20	2.3	31	3.5	43	4.9
10-24	27	3.1	43	4.9	60	6.8
10-32	31	3.5	49	5.5	68	7.7
1/4-20	66	7.6	8	10.9	12	16.3
1/4-28	76	8.6	10	13.6	14	19.0
5/16-18	11	15.0	17	23.1	25	34.0
5/16-24	12	16.3	19	25.8	29	34.0
3/8-16	20	27.2	30	40.8	45	61.2
3/8-24	23	31.3	35	47.6	50	68.0
7/16-14	30	40.8	50	68.0	70	95.2
7/16-20	35	47.6	55	74.8	80	108.8
1/2-13	50	68.0	75	102.0	110	149.6
1/2-20	55	74.8	90	122.4	120	163.2
9/16-12	65	88.4	110	149.6	150	204.0
9/16-18	75	102.0	120	163.2	170	231.2
5/8-11	90	122.4	150	204.0	220	299.2
5/8-18	100	136	180	244.8	240	326.4
3/4-10	160	217.6	260	353.6	386	525.0
3/4-16	180	244.8	300	408.0	420	571.2
7/8-9	140	190.4	400	544.0	600	816.0
7/8-14	155	210.8	440	598.4	660	897.6
1-8	220	299.2	580	788.8	900	1,244.0
1-12	240	326.4	640	870.4	1,000	1,360.0

The guides and ruler furnished below are designed to help you select the appropriate hardware.

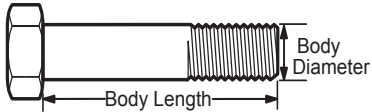


Nut, M8

Thread Diameter (mm)

Inside Diameter (in)      Threads per inch

Nut, 1/2-16



Screw, M8- 1.25 x 25

Thread Diameter (mm)      Distance between threads (mm)      Body Length (mm)

Body Diameter      Threads per inch      Body Length (in)

Screw, 1/2- 16 x 2



## Standard Hardware Sizing

When a washer or nut is identified as 1/2" (M8), this is the *Nominal size*, meaning the *inside diameter* is 1/2 inch (8mm metric thread diameter); if a second number is present it represents the *threads per inch* (distance between threads).

When bolt or capscrew is identified as 1/2 - 16 x 2" (M8 - 1.25 x 50), this means the *Nominal size*, or body diameter is 1/2 inch (8mm metric thread diameter), the second number, 16, represents the *threads per inch*, (*distance between threads*). The final number is the body length of the bolt or screw, 2 inches (50mm).

## NOTES

- These torque values are to be used for all hardware excluding: locknuts, self-tapping screws, thread forming screws, sheet metal screws and socket head setscrews.
- Recommended seating torque values for locknuts:
  - for prevailing torque locknuts - use 65% of grade 5 torques.
  - for flange whizlock nuts and screws - use 135% of grade 5 torques.
- Unless otherwise noted on assembly drawings, all torque values must meet this specification.

## Common Hardware Types

Hex Head Capscrew



Washer



Carriage Bolt



Hex Nut

## Wrench & Fastener Size Guide

1/4" Bolt or Nut Wrench—7/16"	5/16" Bolt or Nut Wrench—1/2"	3/8" Bolt or Nut Wrench—9/16"	7/16" Bolt or Nut Wrench (Bolt)—5/8" Wrench (Nut)—11/16"	1/2" Bolt or Nut Wrench—3/4"
M6 Bolt or Nut Wrench—10mm	M8 Bolt or Nut Wrench—13mm	M10 Bolt or Nut Wrench—17mm	M12 Bolt or Nut Wrench—19mm	M14 Bolt or Nut Wrench—22mm



