

# Attachment Illustrated Parts List



## Attachment

Mfg. No.	Description
1692149	Catcher, Clean Sweep Twin, 30'

### Briggs & Stratton Yard Power Products Group

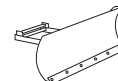
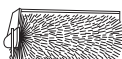
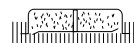
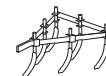
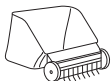
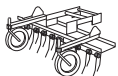
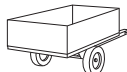
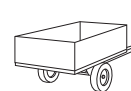
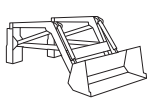
3515 N. 124 Street / PO Box 702  
Wauwatosa, WI 53222 USA

© Copyright 2011 by Briggs & Stratton Corporation  
Milwaukee, WI, USA. All rights reserved

**Manual Part No. 1730791**

Revision B

Rev. Date: 5/2/2011





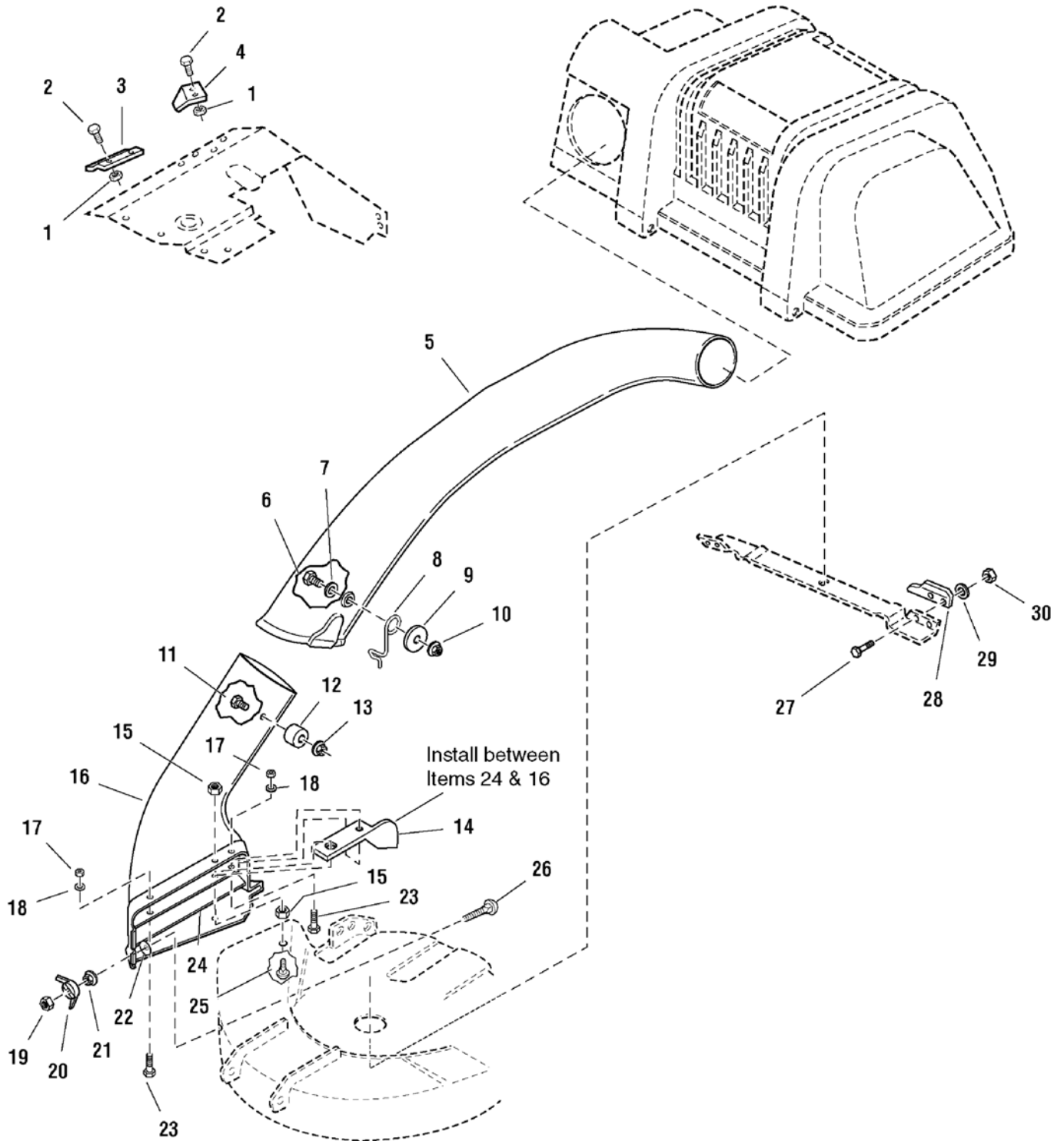
<b>PRODUCT COMPONENTS</b>	<b>PAGES</b>
Adapter, Blade & Tube Group .....	4
Cover & Bag Group - Twin .....	6
Hitch Group .....	8
<b>Torque Specification Chart .....</b>	<b>Inside Back Cover</b>

Not for  
Reproduction

# Adapter, Blade & Tube Group

984489

NOTE: Unless noted otherwise,  
use the standard hardware torque  
specification chart.



The above parts group applies to the following Mfg. Nos.:

1692149 - Catcher

## Adapter, Blade & Tube Group

REF NO	PART NO.	QTY.	DESCRIPTION
1	1928919SM	4	NUT, Hex Washer Assembly, Hex, #10-32
2	1930531SM	4	SCREW, Truss Head, #10-24
3	1713286ASM	1	EXHAUST SHIELD, Front
4	1713287ASM	1	EXHAUST SHIELD, Rear
5	1703769SM	1	TRANSFER TUBE
6	1960122SM	1	CAPSCREW, Hex Head, 5/16-18 x 3/4
7	1919326SM	1	WASHER, Flat, 5/16
8	1704603SM	1	LATCH, Tube
9	1960185SM	1	WASHER, Flat, 3/16
10	1935048SM	1	NUT, Flange Lock, 5/16-18
11	1960371SM	1	CAPSCREW, Hex Head, 5/16-18 x 3/4
12	1704341SM	1	WASHER, Special, 11/32 x 7/8 x 1-3/4
13	1919438SM	1	LOCKNUT, Hex, 5/16-18
14	1686783SM	1	BAFFLE, Corner
15	1920161SM	2	NUT, Hex Jam, 5/16-18
16	1709134SM	1	ADAPTER
17	1933896SM	2	NUT, Hex Head, #10-24
18	1960096SM	2	WASHER, Flat, 3/16
19	1928698SM	1	NUT, Hex Centerlock, 5/16-18
20	1679163SM	1	WING NUT ASSEMBLY, 5/16
21	1927557SM	1	NUT, Hex Flange, 5/16-18
22	1679164ASM	1	CUP
23	2826267SM	2	SCREW, Flat Head, #10-24 x 5/8
24	1704356ASM	1	STRAP, Reinforcement
25	1960223SM	1	CARRIAGE BOLT, 5/16-18 x 1-1/4
26	1960273SM	1	CARRIAGE BOLT, 5/16-18 x 2-1/4
27	1935105SM	4	CAPSCREW, 1/4-20 x 5/8, Gr. 8
28	1665419ASM	2	LIFT PLATE
29	1916964SM	4	LOCKWASHER, Spring, 1/4
30	1916622SM	4	LOCKNUT, Hex, 5/16-18

### Footnotes

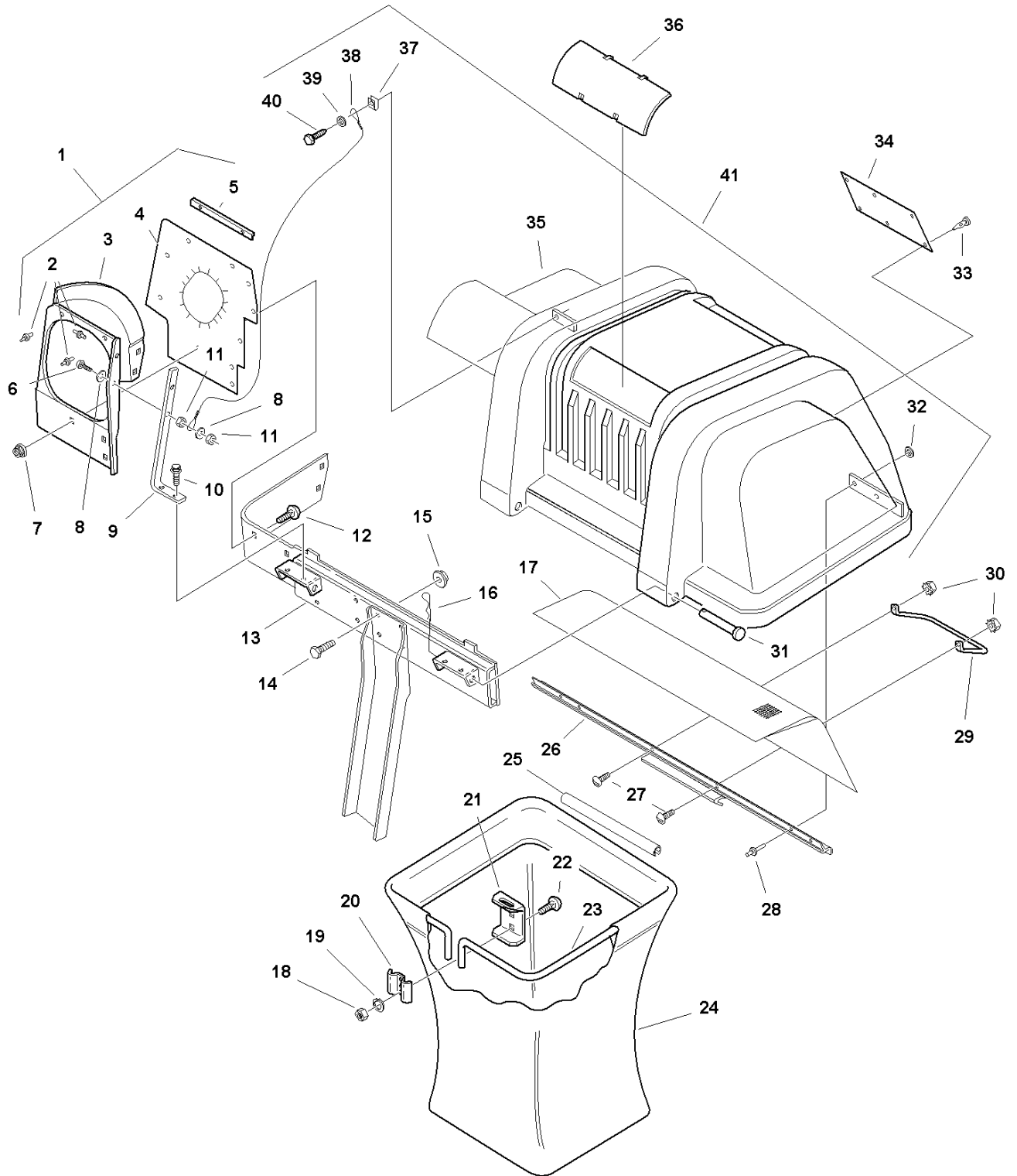
The above parts group applies to the following Mfg. Nos.:

1692149 - Catcher

## Cover & Bag Group - Twin

983952

NOTE: Unless noted otherwise,  
use the standard hardware torque  
specification chart.



The above parts group applies to the following Mfg. Nos.:

1692149 - Catcher

## Cover & Bag Group - Twin

REF NO	PART NO.	QTY.	DESCRIPTION
1	1704615SM	1	TUBE ASSEMBLY Support (Incl. Ref. Nos. 2, 3, 4, 5, 6, 8, 9 & 11)
2	1960381SM	7	RIVET, Pop
3	1704075SM	1	SUPPORT, Tube
4	1704135SM	1	SEAL, Cover
5	1704508SM	3	BRACKET, Seal
6	1960399SM	1	SCREW, Round Head, #8-32 x 7/8
7	1930642SM	5	LOCKNUT, Flange, 1/4-20
8	1960096SM	2	WASHER
9	1704507SM	1	STRAP, Tube Support
10	1929000SM	2	SCREW, Taptite, 1/4-20 x 3/8
11	1960077SM	2	NUT, Hex, Lock, #8-32
12	1960252SM	5	CARRIAGE BOLT, 1/4-20 x 5/8
13	1727129ASM	1	CROSS ASSEMBLY
13	1727129ASM	1	CROSS ASSEMBLY
14	1921966SM	4	CAPSCREW, Hex Head, 3/8-16 x 7/8
15	1928352SM	4	NUT, Hex, Whizlock, 3/8-16
16	1960221SM	2	CLIP, Hairpin
17	1703700SM	1	SCREEN
18	1917372SM	4	NUT, Hex, 5/16-18
19	1917356SM	4	LOCKWASHER, 5/16
20	1672023ASM	2	CLAMP
21	1703807ASM	2	HANGER
22	1931333SM	4	CARRIAGE BOLT, 5/16-18 x 3/4
23	1703855ASM	2	HOOP, Bag
24	1703764SM	2	BAG, Grass
25	1675707SM	2	TUBE CLIP, Grass Bag
26	1704057SM	1	SEAL, Clip
27	1930531SM	2	SCREW, Truss Head, #10-32 x 1/2
28	1675043SM	4	RIVET, Pop
29	1703853SM	1	HANDLE, Latch
30	1928919SM	2	NUT, Hex, #10-32
31	2860367SM	2	PIN, Round Head
32	1910531SM	4	WASHER
33	1667248SM	6	CLIP, Canoe
34	1732820SM	1	DECAL, Safety
35	1704056SM	1	COVER
36	1704180SM	2	WINDOW
37	1933886SM	1	NUT, Speed
38	1705876SM	1	CABLE, Double Loop
39	1921319SM	1	WASHER, 1/4
40	1960400SM	1	SCREW, Self-tapping, #10-12 x 5/8
41	1704056SM	1	COVER ASSEMBLY (Incl. Ref. Nos. 17, 26, 28, 32, 37, 38, 39 & 40)

### Footnotes

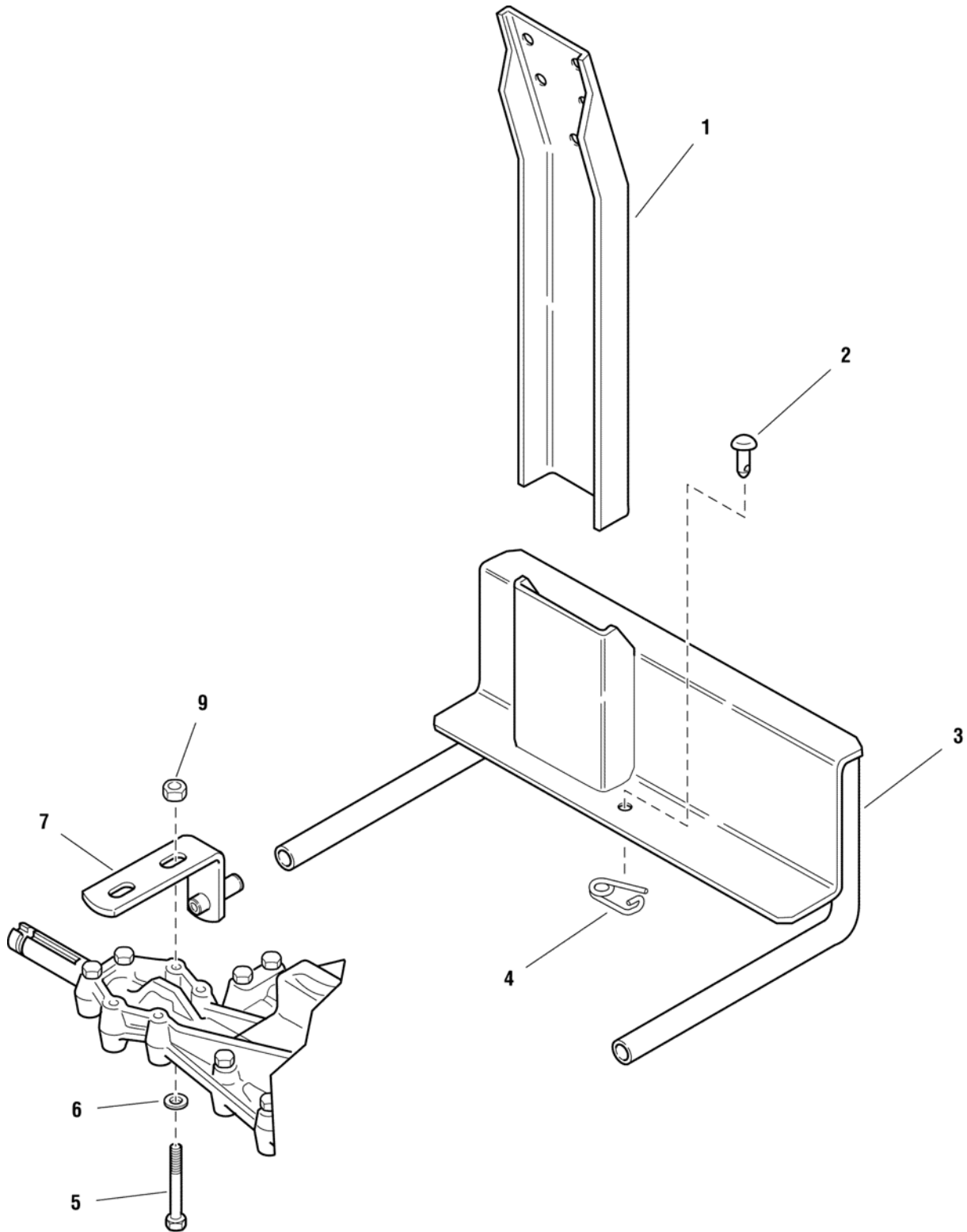
The above parts group applies to the following Mfg. Nos.:

1692149 - Catcher

## Hitch Group

984491

**NOTE:** Unless noted otherwise,  
use the standard hardware torque  
specification chart.



**The above parts group applies to the following Mfg. Nos.:**

1692149 - Catcher



## Hitch Group

REF NO	PART NO.	QTY.	DESCRIPTION
1	1709111ASM	1	SUPPORT, Catcher
2	2102004SM	1	PIN, Round Head, Drilled
3	1709022ASM	1	SUPPORT ASSEMBLY
4	2176012SM	1	CLIP, Pin, Safety
5	1960590SM	4	CAPSCREW, Hex Head, 5/16-18 x 3
6	1919326SM	8	WASHER, Plain 5/16
7	1709026ASM	2	ANCHOR ASSEMBLY, Older Models
7	1726975ASM	2	ANCHOR ASSEMBLY, Newer Models
9	1935048SM	4	NUT, Hex Flange Two-Way Lock 5/16-18

Not for  
Reproduction

### Footnotes

---

The above parts group applies to the following Mfg. Nos.:

1692149 - Catcher



# Hardware Identification & Torque Specifications

Torque Specification Chart								
FOR STANDARD METRIC MACHINE HARDWARE (Tolerance ± 20%)								
Property Class	5.6		8.8		10.9		12.9	
	Class 5.6		Class 8.8		Class 10.9		Class 12.9	
Size Of Hardware	in/lbs		in/lbs		in/lbs		in/lbs	
	ft/lbs	Nm.	ft/lbs	Nm.	ft/lbs	Nm.	ft/lbs	Nm.
M3	5.88	.56	13.44	1.28	19.2	1.80	22.92	2.15
M4	13.44	1.28	30.72	2.90	43.44	4.10	52.56	4.95
M5	26.4	2.50	60.96	5.75	5.97	8.10	7.15	9.7
M6	44.64	4.3	7.3	9.9	10.3	14	12.1	16.5
M7	5.2	7.1	12.1	16.5	16.9	23	19.9	27
M8	7.7	10.5	17.7	24	25	34	29	40
M10	15	21	35	48	50	67	59	81
M12	26	36	61	83	86.2	117	103	140
M14	42	58	101	132	136	185	162	220
M16	64	88	147	200	210	285	250	340
M18	89	121	202	275	287	390	346	470
M20	126	171	290	390	405	550	486	660
M22	169	230	390	530	559	745	656	890
M24	217	295	497	375	708	960	840	1140
M27	320	435	733	995	1032	1400	1239	1680
M30	435	590	995	1350	1401	1900	1681	2280
M33	590	800	1349	1830	1902	2580	2278	3090
M36	759	1030	1740	2360	2441	3310	2935	3980
M39	988	1340	2249	3050	3163	4290	3798	5150

Torque Specification Chart						
FOR STANDARD MACHINE HARDWARE (Tolerance ± 20%)						
Hardware Grade	No Marks		SAE Grade 5		SAE Grade 8	
	SAE Grade 2		SAE Grade 5		SAE Grade 8	
Size Of Hardware	in/lbs		in/lbs		in/lbs	
	ft/lbs	Nm.	ft/lbs	Nm.	ft/lbs	Nm.
8-32	19	2.1	30	3.4	41	4.6
8-36	20	2.3	31	3.5	43	4.9
10-24	27	3.1	43	4.9	60	6.8
10-32	31	3.5	49	5.5	68	7.7
1/4-20	66	7.6	8	10.9	12	16.3
1/4-28	76	8.6	10	13.6	14	19.0
5/16-18	11	15.0	17	23.1	25	34.0
5/16-24	12	16.3	19	25.8	29	34.0
3/8-16	20	27.2	30	40.8	45	61.2
3/8-24	23	31.3	35	47.6	50	68.0
7/16-14	30	40.8	50	68.0	70	95.2
7/16-20	35	47.6	55	74.8	80	108.8
1/2-13	50	68.0	75	102.0	110	149.6
1/2-20	55	74.8	90	122.4	120	163.2
9/16-12	65	88.4	110	149.6	150	204.0
9/16-18	75	102.0	120	163.2	170	231.2
5/8-11	90	122.4	150	204.0	220	299.2
5/8-18	100	136	180	244.8	240	326.4
3/4-10	160	217.6	260	353.6	386	525.0
3/4-16	180	244.8	300	408.0	420	571.2
7/8-9	140	190.4	400	544.0	600	816.0
7/8-14	155	210.8	440	598.4	660	897.6
1-8	220	299.2	580	788.8	900	1,244.0
1-12	240	326.4	640	870.4	1,000	1,360.0

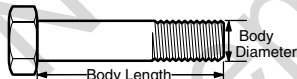
The guides and ruler furnished below are designed to help you select the appropriate hardware.



Nut, M8

Thread Diameter (mm)  
Inside Diameter (in)  
Threads per inch

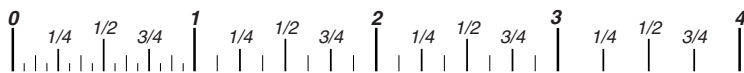
Nut, 1/2-16



Screw, M8- 1.25 x 25

Thread Diameter (mm)  
Body Diameter  
Distance between threads (mm)  
Threads per inch  
Body Length (mm)  
Body Length (in)

Screw, 1/2- 16 x 2



## Standard Hardware Sizing

When a washer or nut is identified as 1/2" (M8), this is the *Nominal size*, meaning the *inside diameter* is 1/2 inch (8mm metric thread diameter); if a second number is present it represents the *threads per inch* (distance between threads).

When bolt or capscrew is identified as 1/2 - 16 x 2" (M8 - 1.25 x 50 ), this means the *Nominal size*, or body diameter is 1/2 inch (8mm metric thread diameter), the second number, 16, represents the *threads per inch*, (1.25 thread diameter). The final number is the body length of the bolt or screw, 2 inches (50mm).

## NOTES

- These torque values are to be used for all hardware excluding: locknuts, self-tapping screws, thread forming screws, sheet metal screws and socket head setscrews.
- Recommended seating torque values for locknuts:
  - for prevailing torque locknuts - use 65% of grade 5 torques.
  - for flange whizlock nuts and screws - use 135% of grade 5 torques.
- Unless otherwise noted on assembly drawings, all torque values must meet this specification.

## Common Hardware Types

Hex Head Capscrew



Washer



Carriage Bolt



Lockwasher



Hex Nut



## Wrench & Fastener Size Guide

1/4" Bolt or Nut Wrench—7/16"	5/16" Bolt or Nut Wrench—1/2"	3/8" Bolt or Nut Wrench—9/16"	7/16" Bolt or Nut Wrench (Bolt)—5/8" Wrench (Nut)—11/16"	1/2" Bolt or Nut Wrench—3/4"
M6 Bolt or Nut Wrench—10mm	M8 Bolt or Nut Wrench—13mm	M10 Bolt or Nut Wrench—17mm	M12 Bolt or Nut Wrench—19mm	M14 Bolt or Nut Wrench—22mm

**IT IS THE POLICY OF BRIGGS & STRATTON CORP TO IMPROVE ITS PRODUCTS  
WHENEVER IT IS POSSIBLE AND PRACTICAL TO DO SO. WE RESERVE THE RIGHT TO  
MAKE CHANGES OR ADD IMPROVEMENTS AT ANY TIME WITHOUT INCURRING ANY  
OBLIGATION TO MAKE SUCH CHANGES ON PRODUCTS.**

**Briggs & Stratton Yard Power Products Group**

3515 N. 124 Street / PO Box 702  
Wauwatosa, WI 53222 USA

© Copyright 2011 by Briggs & Stratton Corporation  
Milwaukee, WI, USA. All rights reserved

[www.simplicitymfg.com](http://www.simplicitymfg.com)  
[www.masseylawn.com](http://www.masseylawn.com)  
[www.agcolawn.com](http://www.agcolawn.com)  
[www.allischalmerslawn.com](http://www.allischalmerslawn.com)