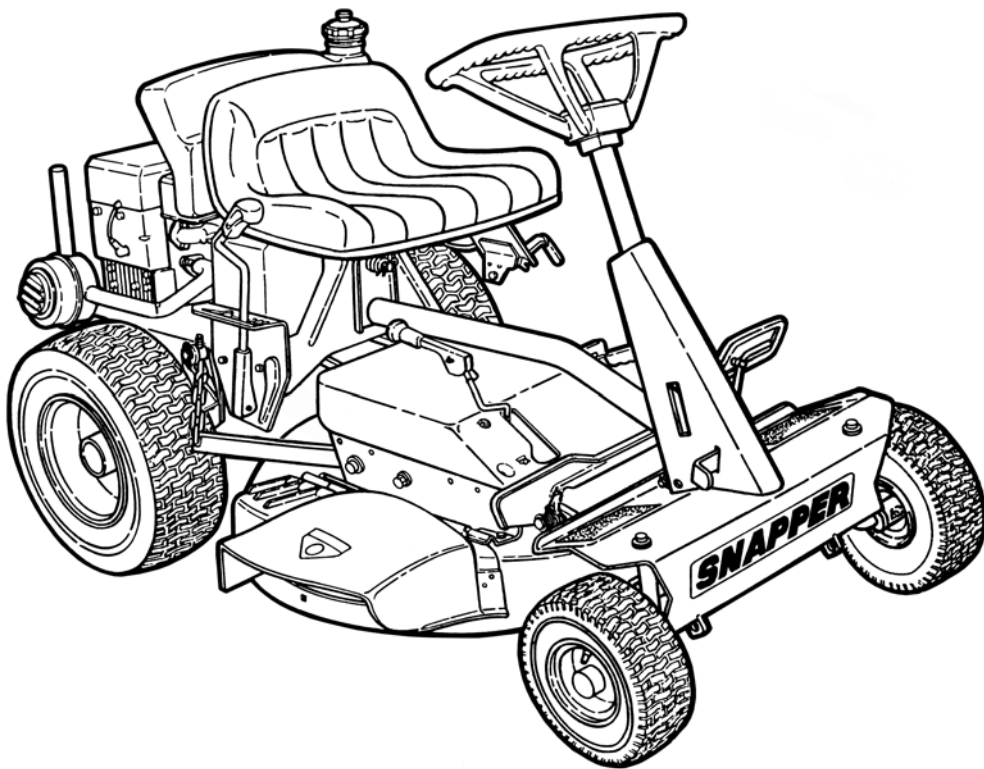


SNAPPER®

REAR ENGINE RIDER SERIES 22



MODELS

280922B
W280922B
281022BE
281222BE
300922B
301022BE
W301022BE
301222BE
3314522BVE
331522KVE

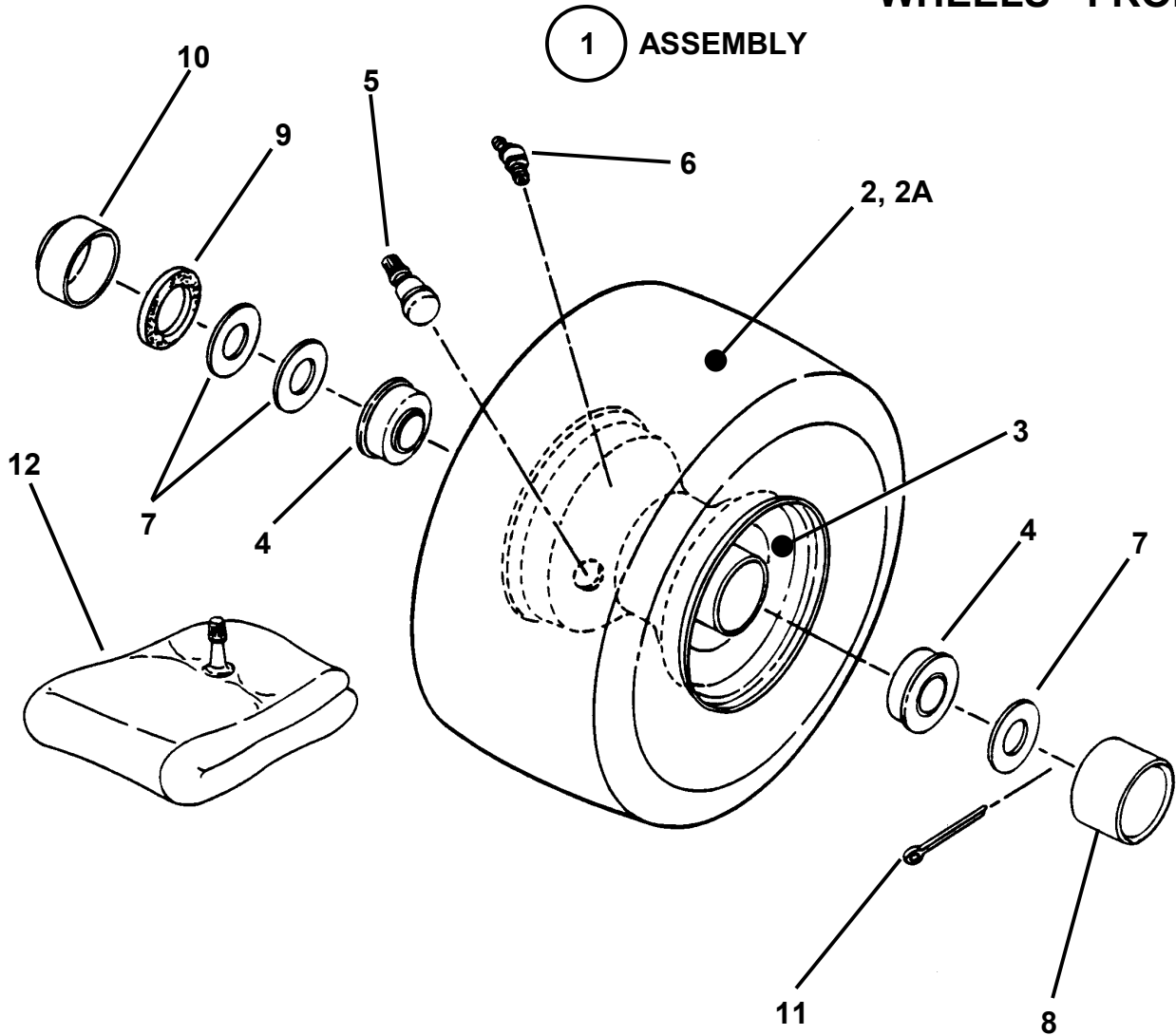
IT IS THE POLICY OF SNAPPER TO IMPROVE ITS PRODUCTS WHENEVER IT IS POSSIBLE AND PRACTICAL TO DO SO. WE RESERVE THE RIGHT TO MAKE CHANGES OR ADD IMPROVEMENTS AT ANY TIME WITHOUT INCURRING ANY OBLIGATION TO MAKE SUCH CHANGES ON PRODUCTS MANUFACTURED PREVIOUSLY.

SNAPPER® McDonough, GA., 30253 U.S.A.

CONTENTS

DESCRIPTION	PAGE
WHEELS, FRONT	3
WHEELS, REAR	4 & 5
FRONT END, STEERING	6 & 7
MAIN CASE.....	8 & 9
DIFFERENTIAL, R.H. FENDER	10 & 11
CHAIN CASE, L.H. FENDER.....	12 & 13
SMOOTH CLUTCH ASSEMBLY	14 & 15
CUTTING DECKS, DEFLECTORS.....	16 & 17
RAILS, LIFT ARMS, CAM LIFT	18 & 19
BLADE STOP PEDALS	20
SPINDLE ASSEMBLY	21
BELTS, BRAKES, INTERLOCK.....	22 & 23
DRIVE DISC ASSEMBLY	24
FUEL TANK & OPERATOR'S SEAT.....	25
ENGINES & EXHAUST MUFFLER.....	26
THROTTLE CONTROL.....	27
DECALS.....	28 & 29
ELECTRICAL SYSTEMS (For 9 HP Briggs, Recoil Start).....	30 & 31
ELECTRICAL SYSTEMS (For 10 & 12 HP Briggs).....	32 & 33
ELECTRICAL SYSTEMS (For 14.5 HP Briggs).....	34 & 35
ELECTRICAL SYSTEMS (For 15 HP Kohler).....	36 & 37
WIRING SCHEMATICS.....	38 thru 41
HARDWARE BAGS	42
ACCESSORIES AND ATTACHMENTS.....	44

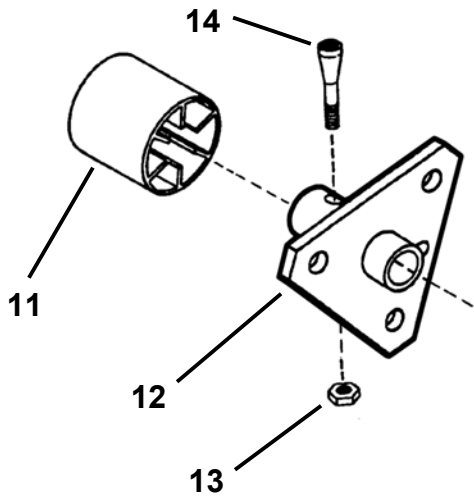
WHEELS - FRONT



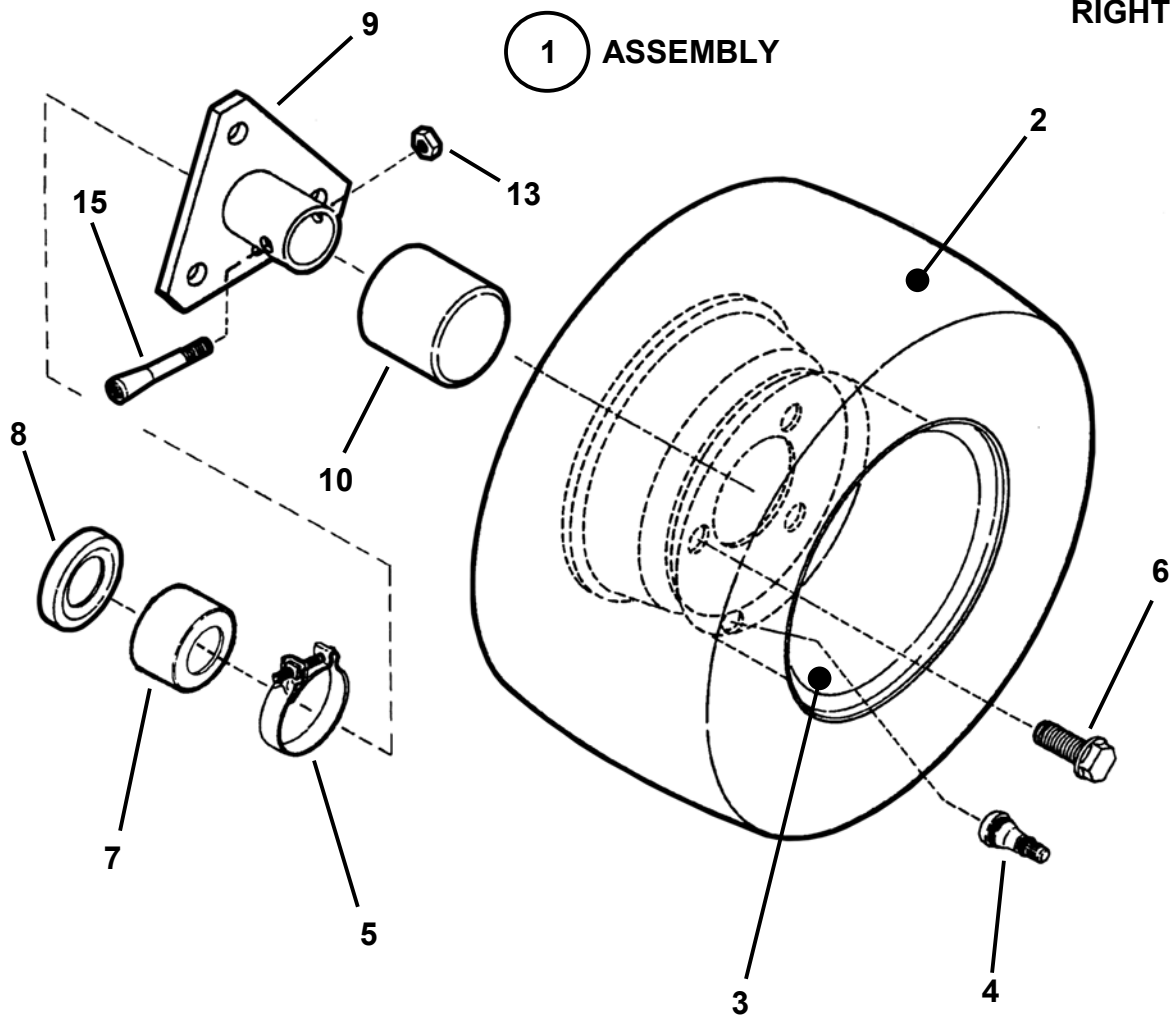
ITEM	PART NO.	DESCRIPTION
1	5-8943	ASSEMBLY, Front Tire & Rim (Complete) (Includes Items 2, 3, 4, 5 & 6,)
2	7-3563	TIRE, 11 x 4.00-4 (Kenda)
3	1-7146	RIM (For 4.10/3.50 x 4 Tire)
4	1-1807	BEARING, Ball
5	1-2234	VALVE, Air (Snap-in)
6	1-4669	FITTING Lube
7	1-0935	WASHER, 3/4" I.D.
8	1-1022	CAP, Hub
9	1-1032	SEAL, Felt
10	3-1038	CAP, Dust
11	9-1516	PIN, Cotter 5/32 x 1" (2)
12	1-0821	TUBE, Inner (For 4.10/3.50 x 4 Tire)

WHEELS - REAR

LEFT HAND



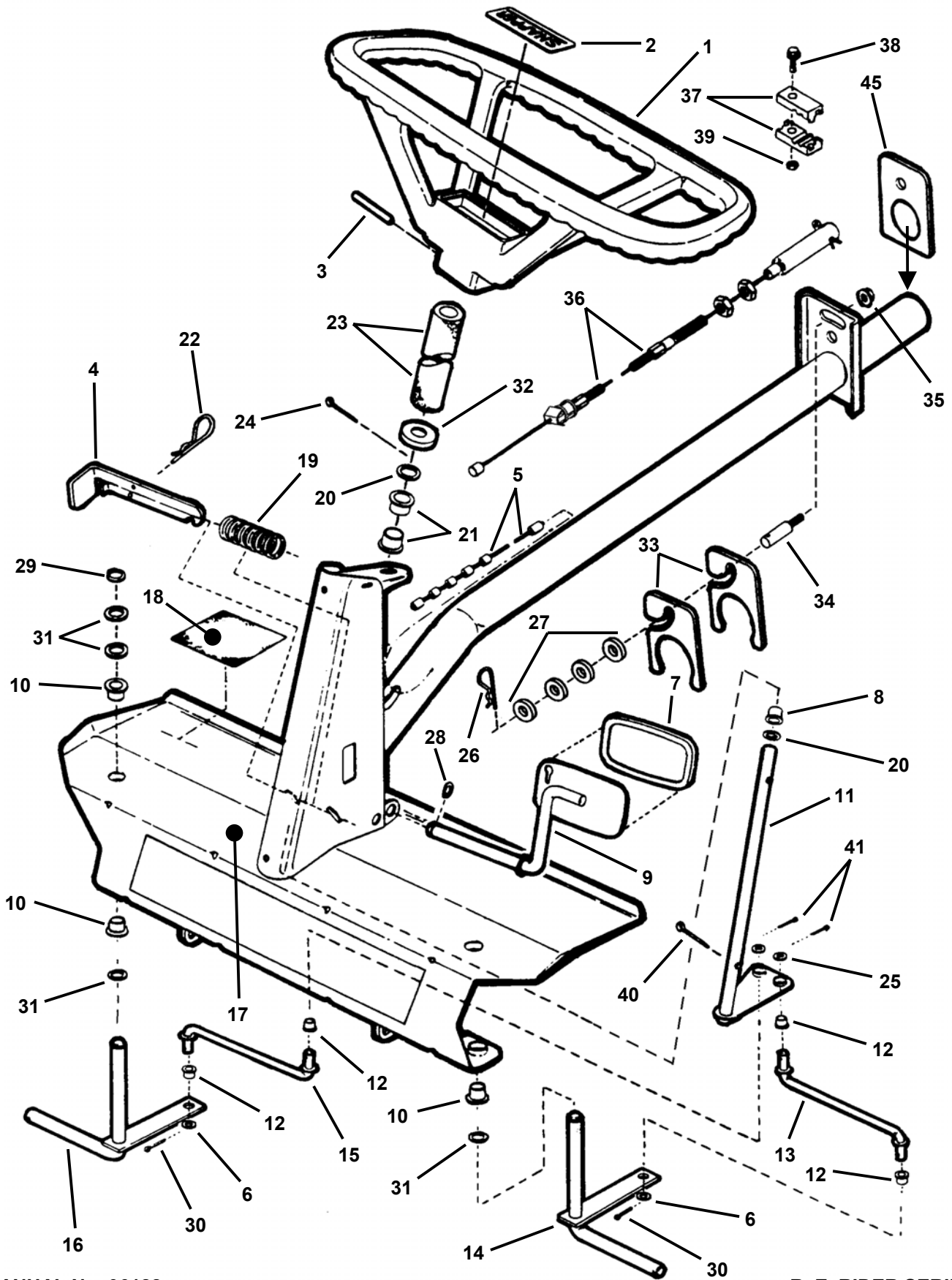
RIGHT HAND



WHEELS - REAR

ITEM	PART NO.	DESCRIPTION
1	5-8951	ASSEMBLY, Rear Tire & Rim (Includes Items 2, 3 & 4) (28", 30" 33" Models)
2	7-3584	TIRE, 16-6.50 x 8 (33" Models)
3	1-7147	RIM, Extra Wide, (For 16/7.50 x 8 Tire) (33" Models)
4	1-2234	VALVE, Air (Snap-in)
5	1-2332	CLAMP, Right Hand (8, 10 & 13 HP)
--	1-4542	CLAMP, Right Hand (12, 14 & 15 HP)
6	9-1502	BOLT, 1/2-20 x 3/4" Lug (6)
7	3-1732	BOOT, Right Hand
8	1-1817	SEAL, Oil
9	4-0433	HUB, Rear Wheel R. H. (Weldment)
10	2-3895	CAP, Hub
11	2-3522	CAP, Hub (Left Hand)
12	4-0434	HUB, Rear Wheel L.H. (Weldment)
13	1-1201	NUT, 5/16-24 Hex Center Lock
14	1-1035	BOLT, 5/16-24 x 1-5/8" Tapered (Left Hand)
15	1-1013	BOLT, 5/16-24 x 2" Tapered (Right Hand)

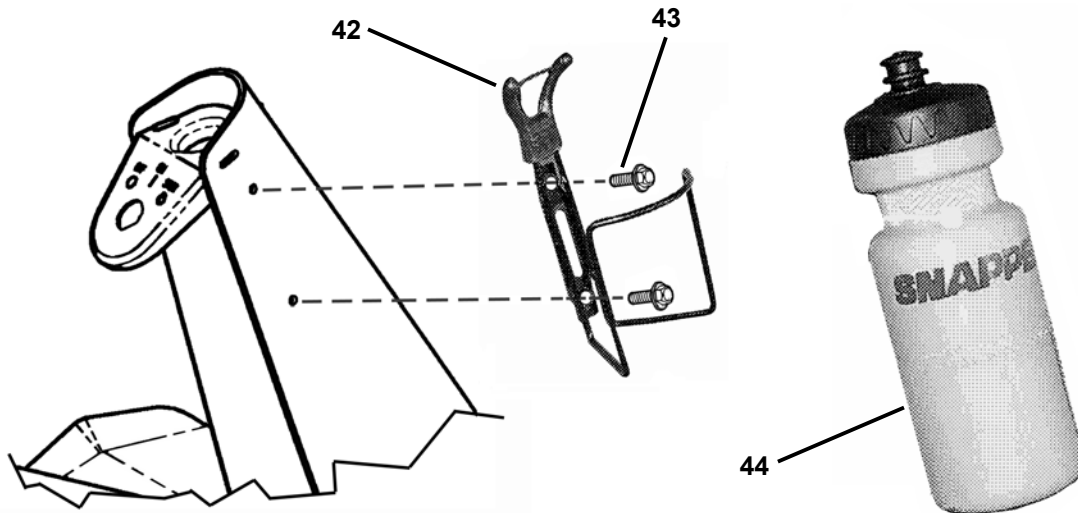
FRONT END, STEERING



MANUAL No. 06128

R. E. RIDER SERIES 22

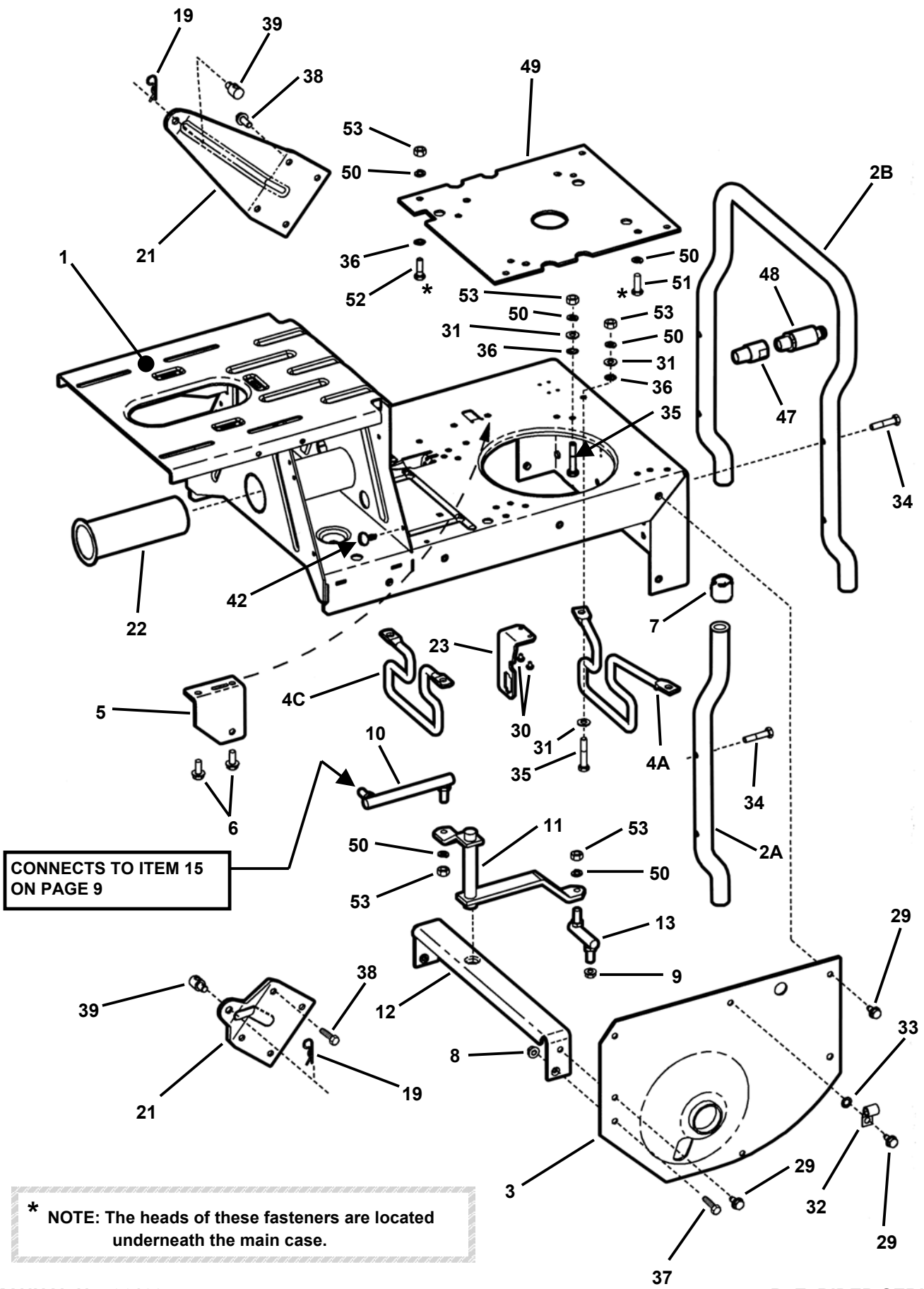
FRONT END, STEERING



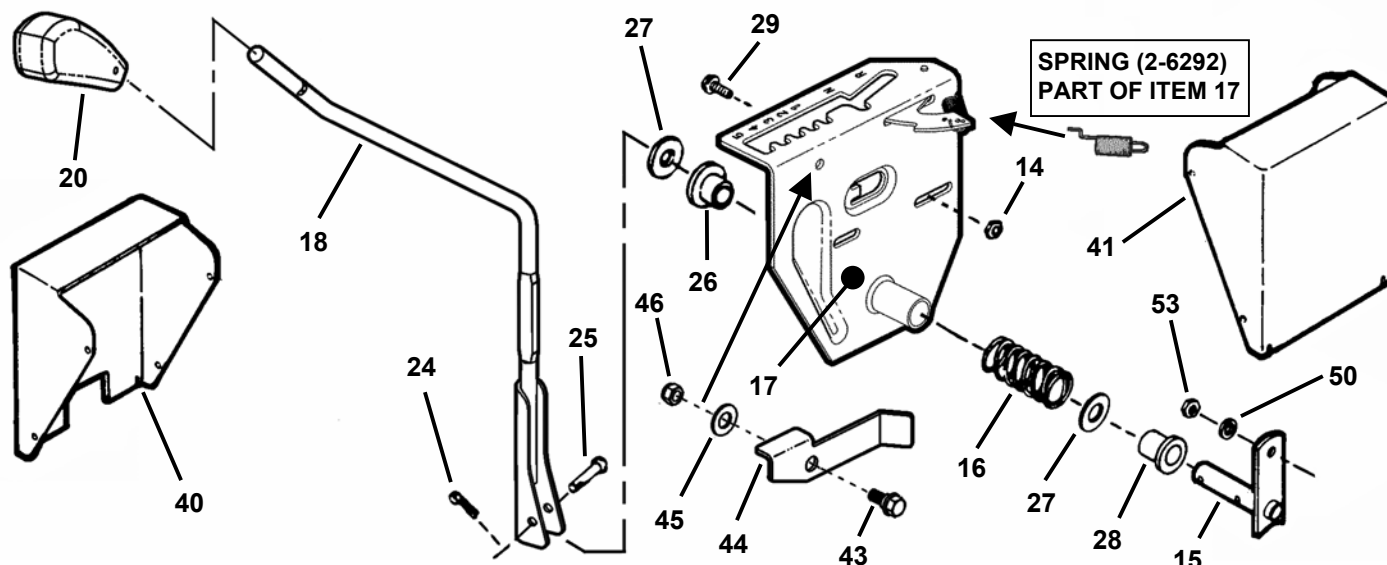
ITEM	PART NO.	DESCRIPTION
1	5-8030	STEERING WHEEL (for 5/8" shaft) (includes item 2)
2	2-3781	LOGO, Steering Wheel
3	1-3862	PIN, 1/4" x 1-1/2" Roll
4	3-8243	LATCH, Parking Brake
5	2-2449	CABLE, Clutch/Brake(54.32") (for 28" & 30" Decks)
--	7-4131	CABLE, Clutch (55" long) (for 33" & 42" Decks)
6	9-0122	WASHER, 3/8 Flat (2)
7	1-1815	PAD, Clutch/Brake Pedal
8	1-0694	BUSHING, Nylon
9	4-7888	PEDAL, Clutch/Brake (weldment)
10	1-0986	BEARING, Nylon (4)
11	4-6232	SHAFT, Steering (weldment)
12	1-3321	BUSHING, Tie-Rod (4)
13	1-3023	TIE-ROD, Left Hand (7.41" long)
--	1-2541	TIE-ROD, Left Hand (9.91" long)
14	4-1687	KING-PIN Weldment, Left Hand
15	1-2933	TIE-ROD, R. H. (7.41" long)
--	1-2540	TIE-ROD, R. H. (9.91" long)
16	4-1688	KING-PIN, Weldment Right Hand
17	5-8040	WELDMENT, Front Axle, Narrow (28" & 30" Deck)
--	5-9197	WELDMENT, Front Axle, Wide (33" Deck)
18	1-4049	FOOT PAD, Short (2)
--	1-4048	FOOT PAD, Long (2)

ITEM	PART NO.	DESCRIPTION
19	1-5444	SPRING, Parking Brake
20	9-0183	WASHER, 21/32 I. Dia.(2)
21	4-6158	BUSHING, Nylon (2)
22	1-1714	PIN, Hair
23	2-3667	FOAM COVER, Steering Shaft
24	9-0296	PIN, 3/16 x 1" Cotter
25	9-1514	WASHER, 3/8" Flat (2)
26	1-2867	PIN, Hair (.125" Dia. Wire)
27	2-2881	SPACER, 1/2" (5)
28	1-0776	RING, 1/2" External Retaining (Heavy Duty)
29	1-0746	RING, 3/4" Ext. Retaining (2)
30	9-0365	PIN, 1/8 x 3/4" Cotter (2)
31	1-0935	WASHER, 5/8 Flat (6)
32	2-3671	COVER, Steering Shaft
33	2-8395	SPACER, Pivot
34	2-8332	STUD, Shoulder (3/8-24 Thread)
35	9-0854	NUT, 3/8-24 Hex Nyloc
36	7-2648	CABLE, Brake (29" long)
37	3-4174	CONNECTOR, Cable (2)
38	9-1495	SCREW, 1/4-20 x 3/4", Gr. 5
39	9-0372	NUT, 1/4-20 Hex Center Lock
40	9-0753	PIN, 3/16" x 1-1/2" Cotter
41	9-0364	PIN, 5/32" x 1" Cotter (2)
42	7-4560	HOLDER, Wire- Bottle
43	9-0913	SCREW, #10-24 x 1/2" Hex Washer Self-Tap (2)
44	7-4561	BOTTLE, Water
45	7-4599	PLATE, Thrust

MAIN CASE



MAIN CASE

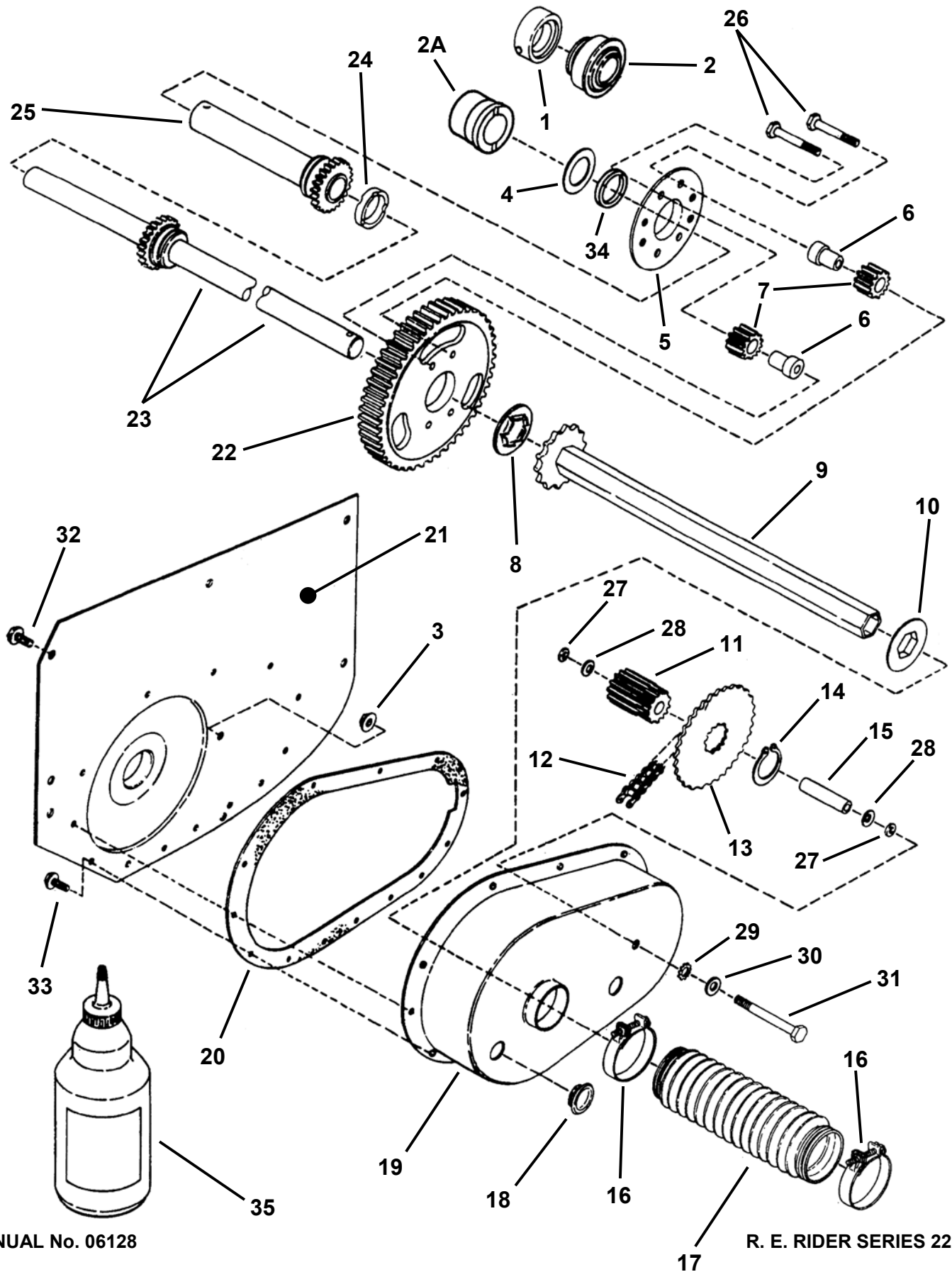


ITEM	PART NO.	DESCRIPTION	ITEM	PART NO.	DESCRIPTION
1	5-8044	WELDMENT, Main Case	28	1-9246	BUSHING, Nylon (2)
--	5-9202*	WELDMENT, Main Case	29	9-0361	SCREW, 5/16-18 x 5/8" Self Tap (14)
2A	3-0798	BUMPER, Rear (2)	30	9-0981	SCREW, #10-32 x 1/4" Hex Washer Self-Tap (2)
2B	3-6367	BUMPER (1-piece) (33" Deck)	31	9-1296	WASHER, 5/16" Flat (4)
3	3-7285	FENDER, Left Hand	32	1-2652	CLIP, Wire
4A	3-6419*	GUIDE, Belt	33	9-0391	WASHER, 5/16" Internal Tooth Lock
4B	1-7653	GUIDE, Belt (not shown)	34	9-0484	SCREW, 5/16-18 x 1-1/2" (4)
4C	3-6418**	GUIDE, Belt	35	9-1513	SCREW, 5/16-24 x 1-1/2" Hex Head Cap, Grade 5 (4)
5	4-7189	BRACKET, Drive Support	36	1-1791	RETAINER, 5/16 Bolt (4)
6	9-0595	BOLT, 5/16-18 X 3/4" Hex Flange Lock, Grade 5 (2)	37	9-0206	SCREW, 5/16-18 x 3/4" Cap
7	1-0153	CAP, Bumper (2)	38	9-0793	SCREW, 5/16-18 X 3/4" Hex Self-Tap (4)
8	9-0585	NUT, 5/16-18 Hex Fl. Lock (6)	39	2-8200	SWIVEL (2)
9	1-0969	NUT, 5/16-24 Hex Flange Lock	40	2-8989	COVER, Switch (series 19 & earlier)
10	2-3676	LINK, Shift (Long)	--	7-3268	COVER, Solenoid (series 20 & later)
11	4-1384	ARM, Shift	41	2-8990	COVER, Battery
12	3-3799	BRACE, Cross	42	9-1272	FASTENER, 1/4" Ratchet (7)
13	1-1018	LINK, Shift (Short)	43	1-5761	BOLT, 5/16-18 Shoulder
14	9-0196	NUT, 5/16-18 Hex, Gr. 5 or B	44	7-3289	LEVER, Over-Ride
15	4-0598	ARM, Shift Handle (weldment)	45	9-1595	WASHER, 7/16" Flat
16	1-0754	SPRING, Shift Handle	46	9-1298	NUT, 5/16-18 Nyloc
17	5-8763	ASSEMBLY, Shift Detent (Incl. Spring, part no. 2-6292)	47	2-2486	OIL DRAIN, Short
18	5-9212	HANDLE, Shift (weldment)	48	2-7972	ASSEMBLY, Oil Valve
19	9-1503	HAIRPIN, 3/32 X 1-1/2" (2)	49	7-4190	PLATE, Engine (Kohler engine)
20	2-3656	GRIP, Shift Handle	50	9-1315	WASHER, 5/16" Split Lock (8)
21	3-4299	WING, Rear (2)	51	7-7692	BOLT, M8-1.25 x 25mm, Self-Tap (Kohler)
22	2-2509	BUSHING, Pilot	52	9-0238	SCREW, 5/16-24 x 1" Gr. 5 (4)
23	7-3735	BRACKET, Switch	53	9-1297	NUT, 5/16-24 Hex, Grade 5 (8)
24	9-0037	PIN, 3/32 x 3/4" Cotter			
25	2-3914	PIN, 1/4 x 1-3/4" Tapered Clevis			
26	1-9245	BUSHING, Nylon			
27	3-1036	WASHER, Thrust (2)			

*331522KVE Model only

**3314522BVE Model only

DIFFERENTIAL, R. H. FENDER



MANUAL No. 06128

R. E. RIDER SERIES 22

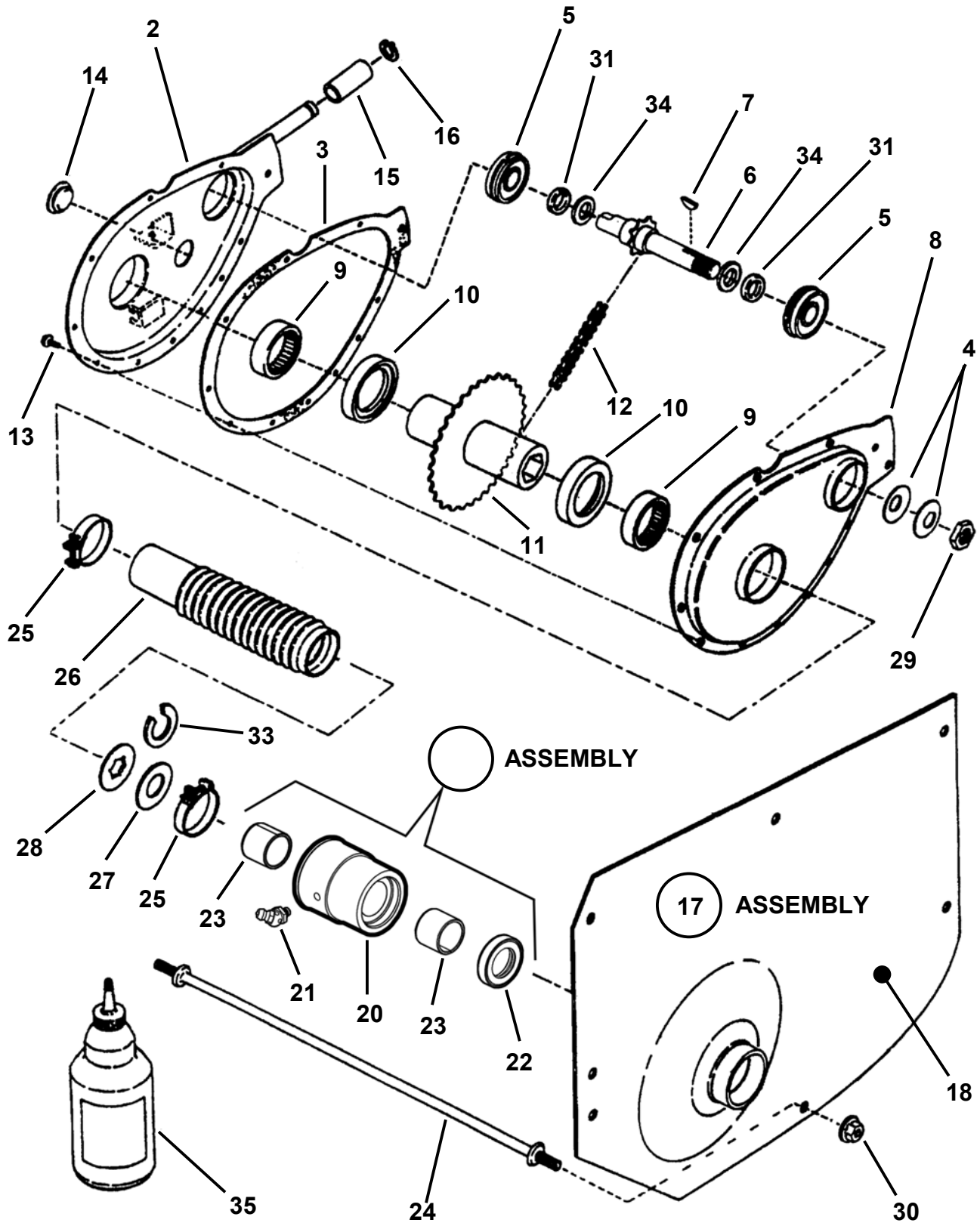
DIFFERENTIAL, R. H. FENDER

ITEM	PART NO.	DESCRIPTION
1	1-4401*	COLLAR, Lock (Includes P.N. 9-0201, 5/16-18 x 5/16" Setscrew)
2	1-8822*	BALL BEARING, Axle (Right Hand Fender)
2A	1-2296	BEARING, Axle (Right Hand Fender) (standard bearing)
3	1-0969	NUT, 5/16-24 Hex Flange Lock
4	3-1079	WASHER, Thrust
5	3-8067	PLATE, Differential
6	2-2115	SPACER, Pinion (4)
7	2-1127	GEARS, Differential Pinion (4)
8	1-1072	WASHER, Thrust
9	5-1584	ASSEMBLY, Drive Hex Tube
10	1-0988	WASHER, Hex Nylon Splash (3)
11	1-0964	GEAR, 11 Teeth-10 Pitch
12	1-0941	CHAIN, 46 Pitch (No. 35)
13	2-1129	SPROCKET
14	1-0965	RING, External Retaining
15	2-1128	SPACER
16	1-2332	CLAMP, Boot (2)
17	1-7083	BOOT, Oil Seal
18	1-1024	PLUG, Oil Fill & Check
19	3-7279	CASE, Transmission
20	2-8762	GASKET, Transmission Case
21	3-7280	FENDER, Right Hand (standard fender) (1.62" hole)
--	3-7957	FENDER, Right Hand (optional fender) (2.498" hole)
22	2-1158	GEAR, 63 Teeth-10 Pitch
--	2-7644	GEAR, 63 Teeth 10 Pitch (331522KVE Model only)
23	4-7763	AXLE, Long (Includes Gear) (Use Only With Short Axle P.N. 5-7398)
24	7-4431	SPACER
25	5-7398	AXLE, Short (Includes Gear) (Use Only With Long Axle P.N. 4-7763)
26	1-2333	SCREW, 5/16-24 x 1-5/8" Hex Cap Special Lock (4)
27	1-1156	O-RING, 5/16" (2)
28	1-1782	WASHER, 5/16" Belleville (2)
29	9-0395	WASHER, 5/16" External Tooth Lock
30	9-0188	WASHER, 5/16" Flat
31	1-1042	BOLT, 5/16-24 x 2-5/8" Idler
32	9-0361	SCREW, 5/16-18 x 5/8" Hex Washer Self-Tap (11)
33	9-0362	SCREW, 1/4-20 x 5/8" Hex Washer Self-Tap (13)
34	3-2107	SPACER, Short Axle
35	6-1017	GREASE, Transmission (24 oz. Required)
--	6-0411	KIT, Differential (Includes 2A & 3-7280 Fender)
--	6-0662	KIT, Differential (Includes items 2 & 3-7957 Fender)

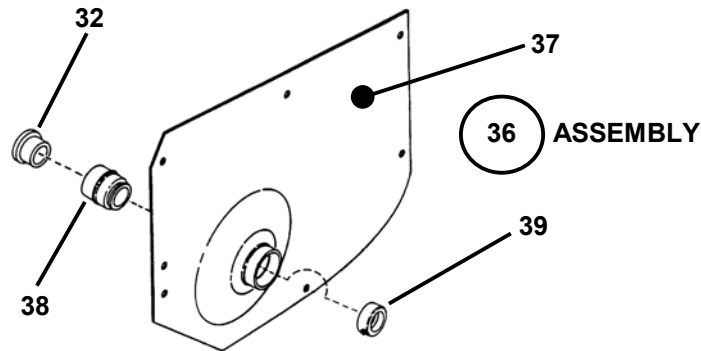
***Optional Ball Bearing may be used (requires use of 3-7957 fender)**

CHAIN CASE, L. H. FENDER

1 ASSEMBLY



CHAIN CASE, L. H. FENDER

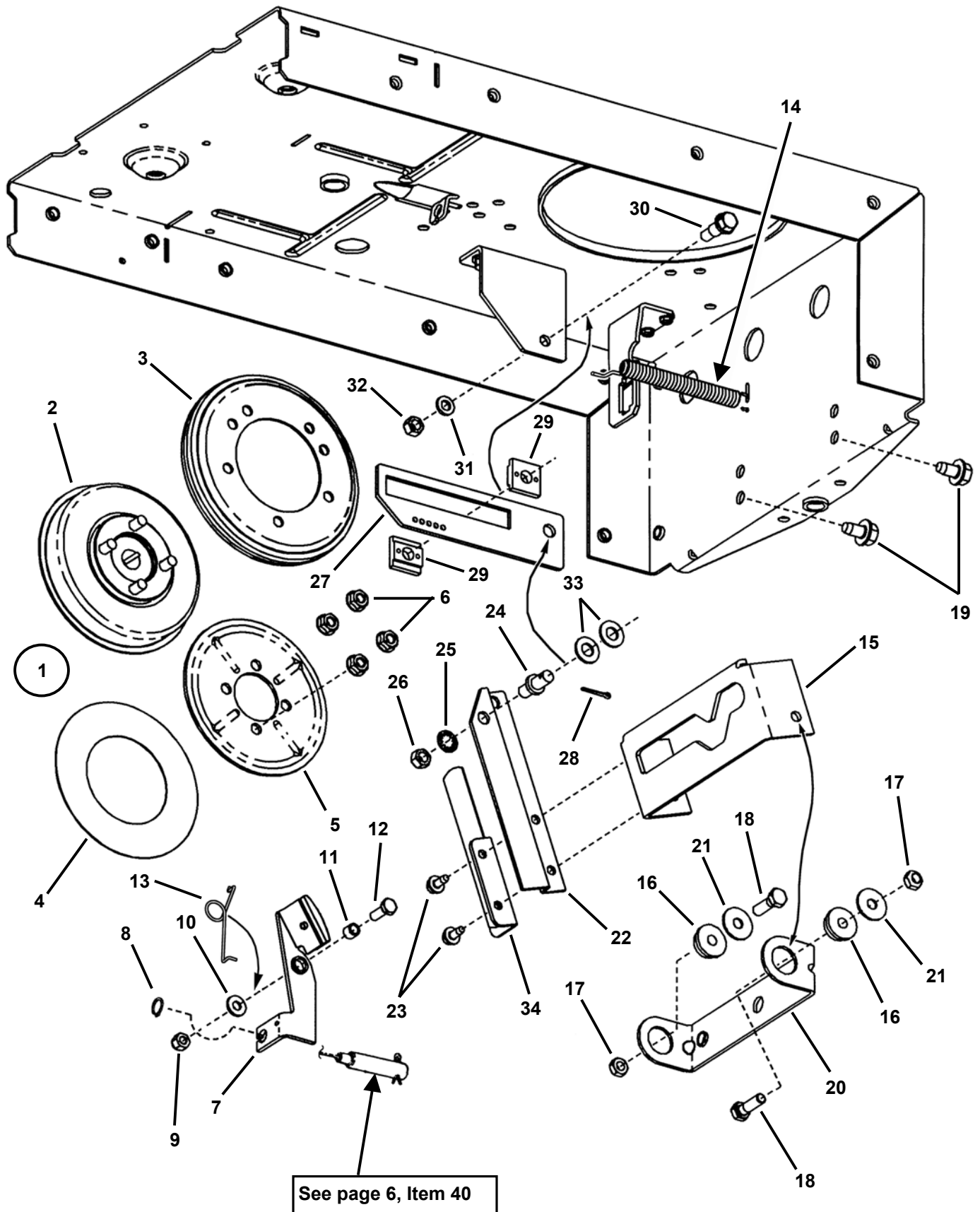


ITEM	PART NO.	DESCRIPTION
1	5-2683	ASSEMBLY, Chain Case (Includes items 2 thru 13, 15, 16, & 31 thru 35)
2	4-1136	CASE, Sprocket
3	2-8761	GASKET, Case Cover
4	1-1121	WASHER, .640 I.D. Belleville (2)
5	1-0756	BEARING, Ball (2)
6	1-8963	SPROCKET & SHAFT
7	1-0614	KEY, 1/8 x 5/8" Woodruff
8	3-9778	COVER, Chain Case
9	1-0942	BEARING, Needle (2)
10	1-1086	WASHER, Nylon Thrust (2)
11	4-0355	HUB & SPROCKET
12	1-0941	CHAIN
13	9-0307	SCREW, #10-24 x 5/8" Hex Washer Self-Tap (10)
14	1-1024	PLUG, Oil Fill & Check
15	2-2785	ROLLER
16	1-0776	RING, 1/2" Heavy Duty External Retaining
17	5-9183	ASSEMBLY, L. H. Fender & Bearing (Incl. items 18 & 19)
18	3-7285	FENDER, Left Hand (1.628" I.D. hole)
19	5-2827	ASSEMBLY, Axle Bearing (Incl. items 20 thru 23)
20	7-4184	BEARING, Axle
21	1-3324	FITTING, Lube (for 3/16" hole)
22	7-4500	SEAL, Dust/Grease Axle
23	7-4182	BEARING, DX (2)
24	1-1070	ROD, Cross-Tie
25	1-2332	CLAMP, Boot (2)
26	1-7084	BOOT, Oil Seal
27	1-1071	WASHER, Thrust Nylon
28	1-1072	WASHER, Thrust
29	9-1505	NUT, 5/8-18 Hex Nyloc
30	1-0969	NUT, 5/16-24 Hex Flange Lock
31	1-9260	O-RING (2)
32	2-3447	SPACER (used with optional ball bearing, item 38 only)
33	1-2271	WASHER, Shim (As Required)
34	2-7981	WASHER, Shim (6)
35	6-1017	GREASE, Transmission (Use 2 oz. maximum)
36	5-1451	ASS'Y, L. H. Fender & Ball Bearing (optional , incl. items 37-39)
37	3-7958	FENDER, Left Hand (1.744" I.D. hole)
38	1-4624	BALL BEARING, Left Hand Fender
39	1-4625	COLLAR, Lock (Includes #9-0776 Setscrew 1/4-20 x 1/4") (Used with ball bearing, item 38, only)

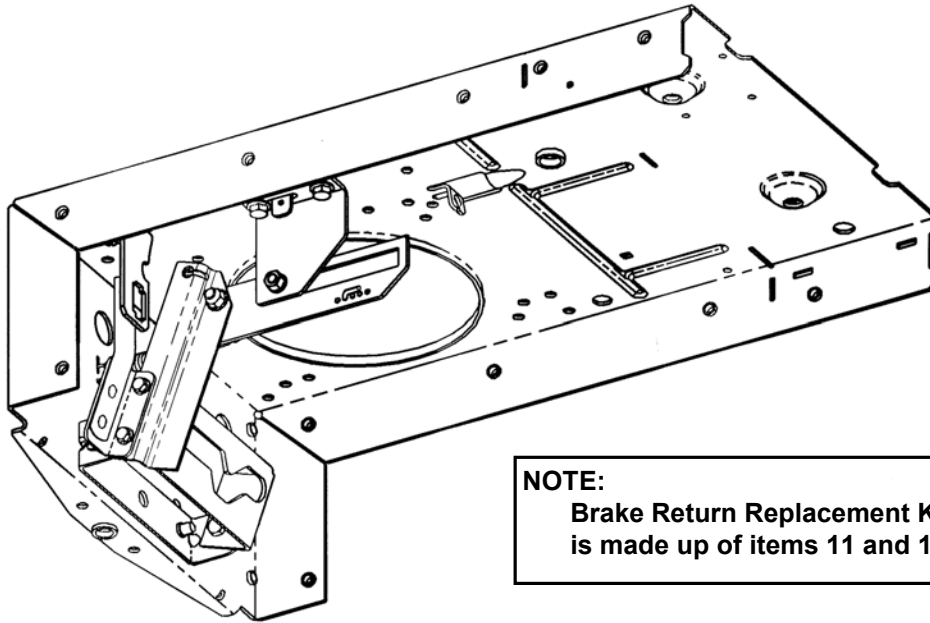
NOTES: 1- See Pages 14 & 15 For Illustration of brake lever assembly and related parts.

2- Item 36 may be substituted for item 17 if ball bearings are preferred.

SMOOTH CLUTCH ASSEMBLY



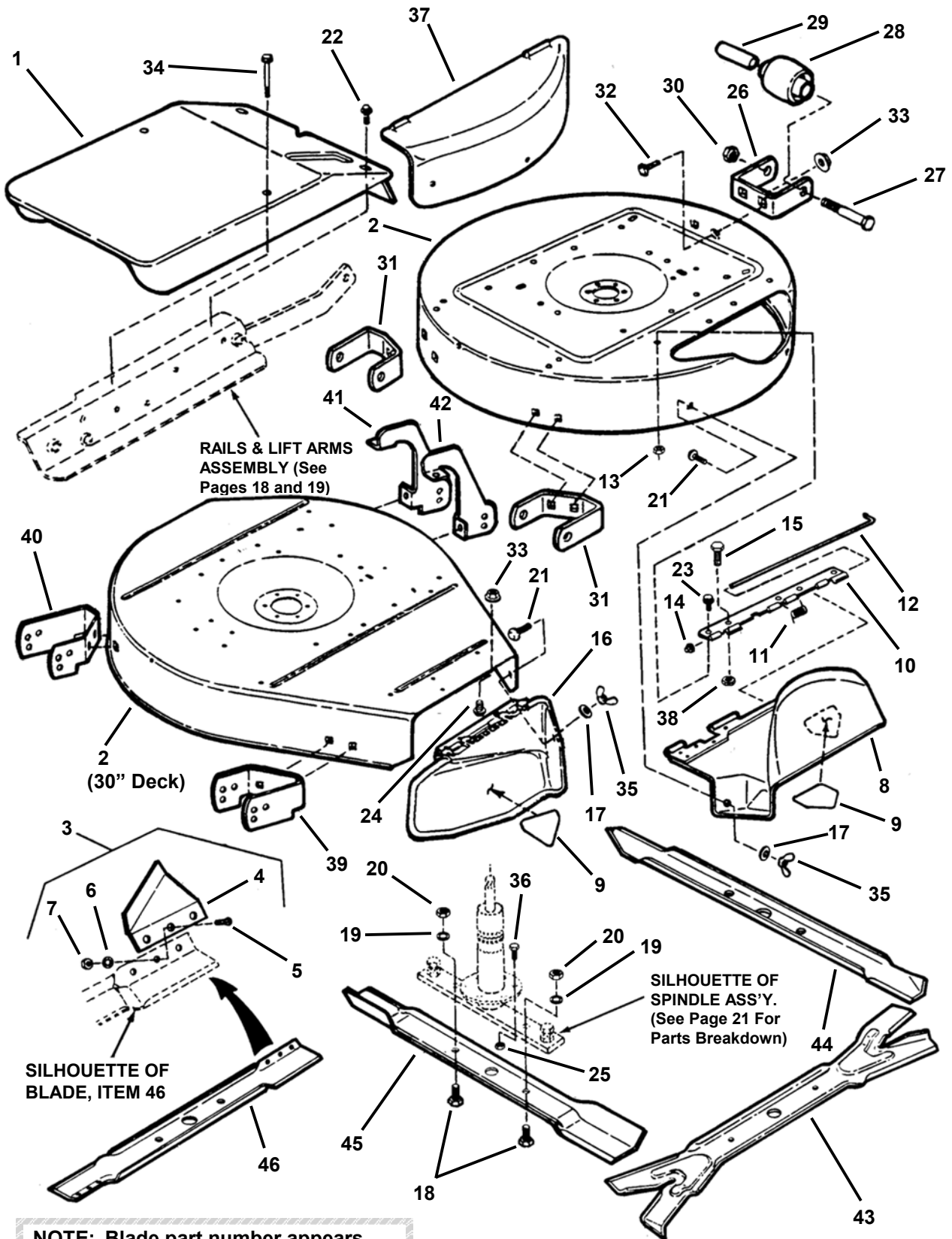
SMOOTH CLUTCH ASSEMBLY



NOTE:
Brake Return Replacement Kit (6-1197)
is made up of items 11 and 13.

ITEM	PART NO.	DESCRIPTION
1	5-3114	ASSEMBLY, Smooth Clutch (Includes Items 2 thru 6)
2	5-4243	HUB, Driven Disc (assembly)
3	5-3103	DISC, Driven (rubber tire bonded to rim)
4	1-4523	WASHER, Thrust
5	3-2331	PLATE, Drive Disc
6	9-0585	NUT, 5/16-18 Hex Flange Lock (4)
7	5-2497	ASSEMBLY, Brake Lever (Includes Brake Lining & Rivet)
8	1-2313	RING, 3/8" External Retaining
9	9-0303	NUT, 1/4-28 Hex Top Lock
10	9-1294	WASHER, 1/4" Flat
11	7-2593	SPACER
12	9-1504	SCREW, 1/4-28 x 1" Hex Head Cap, Grade 5 (washer face)
13	7-2406	SPRING, Brake Return
14	1-3885	SPRING, Clutch Brake
15	4-6162	LIFT, Yoke
16	1-1048	BEARING, Yoke (2)
17	1-1201	NUT, 5/16-24 Hex Center Lock (2)
18	9-0238	SCREW, 5/16-24 x 1" Hex Head Cap, Grade 5 (2)
19	9-1198	SCREW, 3/8-16 x 5/8" Hex Washer Self-Tap
20	3-3291	COLLAR, Yoke
21	1-1763	WASHER, 5/16" Flat (2)
22	7-3733	ARM, Yoke
23	9-0539	SCREW, 1/4-20 x 1/2" Hex Washer Self-Tap (2)
24	1-5464	STUD (3/8-24 thread)
25	9-0390	WASHER, 3/8" Internal Tooth
26	9-1630	NUT, 3/8-24 Hex, Grade 5 or B
27	4-7190	BRACKET, Slide
28	9-0037	PIN, 3/32 x 3/4" Cotter
29	1-4663	SLIDE HALF (2)
30	1-4664	BOLT, 5/16-18 Shoulder
31	9-0187	WASHER, 5/16" Split Lock
32	9-0196	NUT, 5/16-18 Hex, Grade 5 or B
33	9-0122	WASHER, 3/8" SAE Flat (2)
34	5-9068	ASSEMBLY, Leaf Spring

CUTTING DECKS, DEFLECTORS



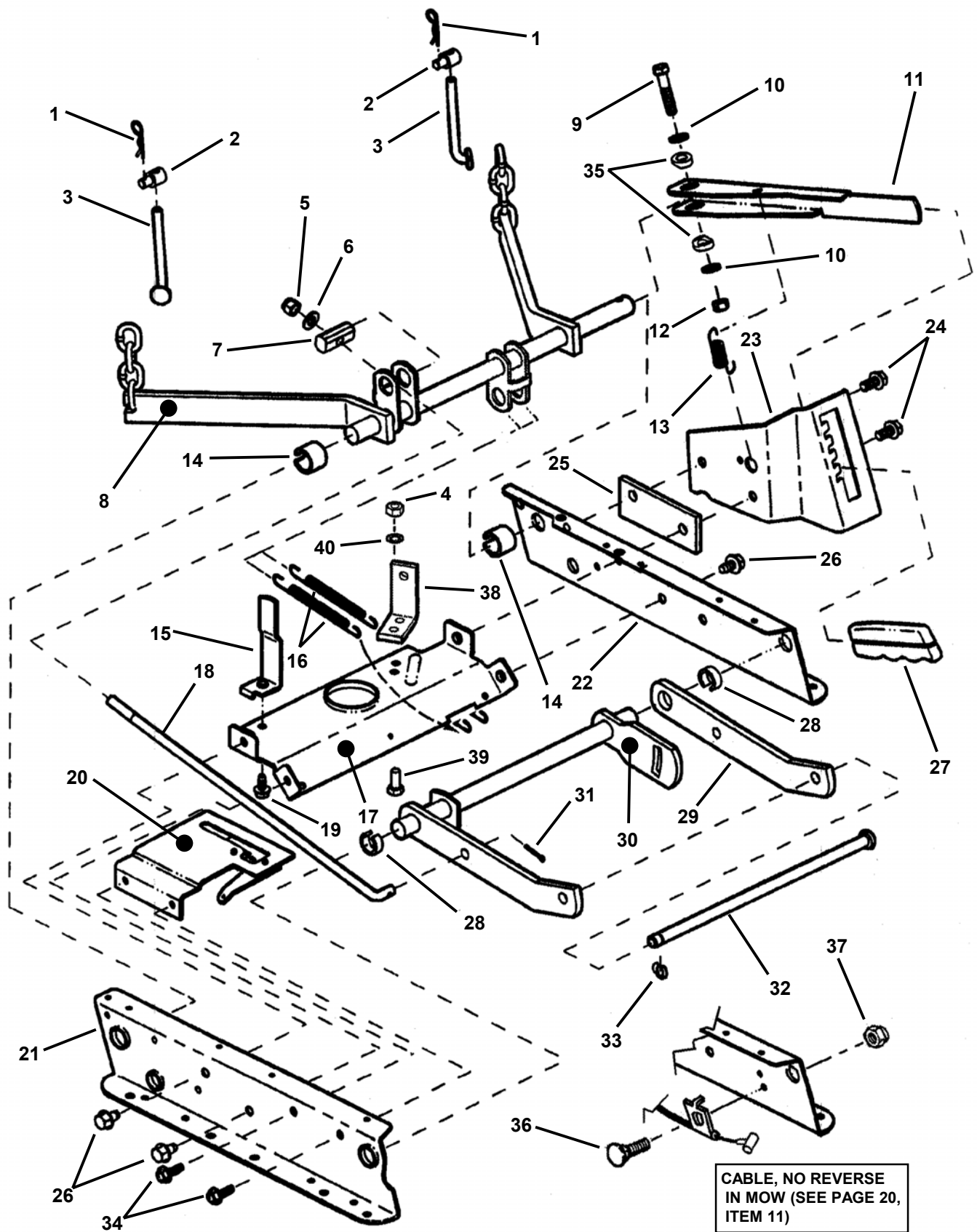
NOTE: Blade part number appears On blade.

NOTE: The 25", 28" and 33" decks are round. The 25" deck has no square rib on top.

CUTTING DECKS, DEFLECTORS

ITEM	PART NO.	DESCRIPTION	ITEM	PART NO.	DESCRIPTION
1	7-3434	COVER, Spindle	25	9-0613	NUT, 3/18-16 Hex Flange Lock (9)
2	6-1970	DECK, 28" (Painted w/decals)	26	3-3570	BRACKET, Gage Wheel (Front) (28" & 33" Decks)
--	6-1971	DECK, 30" (Painted w/decals)	27	9-1532	SCREW, 3/8-24 x 3-3/4" Hex Head Cap, Grade 5 (3)
--	6-1972	DECK, 33" (Painted w/decals)	28	1-9190	WHEEL, Gage (3)
3	6-0480	KIT, Air Lift (25", 28" & 33" Deck) (incl. items 4 thru 7)	29	1-5272	SPACER (3)
--	6-0735	KIT, Air Lift (30" Deck) (incl. items 4 thru 7)	30	9-1518	NUT, 3/8-24 Hex Nyloc (3)
4	3-7723	AIR-LIFT (2) (25", 33" Deck)	31	3-3571	BRACKET, Gage Wheel (Rear) (2) (28" & 33" Decks)
--	3-1724	AIR-LIFT (2) (30" Deck)	32	9-0731	BOLT, 5/16-18 x 1/2" Carriage (6) for 28 & 33", (8) for 30" Deck
5	9-0228	SCREW, 5/16-24 x 11/16" Machine (6)	33	9-1070	NUT, 5/16-18 Hex Flange Lock (8) for 28 & 33", (10) for 30" Deck
6	9-0391	WASHER, 5/16" Internal Tooth Lock (6)	34	9-1015	SCREW, 1/4-20 x 3-1/2" Hex Washer Self-Tap (2)
7	9-0223	NUT, 5/16-24 Hex (6)	35	9-0492	WING-NUT, 5/16-18 (2)
8	5-2555	DEFLECTOR, 28"/33" Deck Discharge (includes items 9, 10, 11, 12, 14)	36	9-0612	BOLT, 3/8-16 x 3/4" Hex Flange Lock (3)
9	2-6831	DECAL, Danger	37	1-6983	COVER, 28" Mulcher
10	3-3780	HINGE, Deflector (16" long)	--	1-6984	COVER, 33" Mulcher
10A	2-4569	HINGE, Deflector (8" long)	38	9-0583	NUT, 1/4-20 Hex Flange Lock Grade 5 (2)
11	1-6341	SPRING, Hinge (use with 2-6234 Pin)	39	3-4025	BRACKET, Anti-Scalp, 30" R.H.
11A	1-6428	SPRING, Hinge (use with 2-6846 Pin)	40	3-4026	BRACKET, Anti-Scalp, 30" L.H.
12	2-6234	PIN, Hinge (L-shaped) (16-1/4" long)	41	3-4743	BRACKET, Anti-Scalp, 30" L.H.
12A	2-6846	PIN, Hinge (straight) (8-7/8" long)	42	3-4760	BRACKET, Anti-Scalp, 30" R.H.
13	9-1070	NUT, 5/16-18 Hex Flange Lock	43	2-6453	BLADE, Ninja 28"
14	2-6483	NUT, 1/4" Push (2)	--	2-6565	BLADE, Ninja 30"
15	9-0584	BOLT, 1/4-20 x 1/2" Hex Fl. Lock	--	2-4741	BLADE, Ninja 33"
16	5-2553	DEFLECTOR, 30" Discharge (incl. items 9, 10A, 11A, 12A)	44	1-6980	BLADE, 28" Mulcher
17	9-1296	WASHER, 5/16" Flat (2)	--	1-6982	BLADE, 33" Mulcher
18	9-0392	SCREW, 1/2-20 x 1" Hex Head Cap, Grade 5 (2)	45	3-5635	28" BLADE (High Lift)
19	9-0509	WASHER, 1/2" Internal Tooth Lock (2)	--	1-8069	30" BLADE
20	9-0559	NUT, 1/2-20 Hex Jam (2)	--	3-4168	33" BLADE (High Lift)
21	9-1508	BOLT, 5/16-18 x 3/4" Short Neck Carriage, Grade 5 (2)	46	1-9515	28" BLADE
22	9-1016	SCREW, 1/4-20 x 5/8" Hex Washer Self-Tap (4)	--	1-9523	33" BLADE
23	9-1510	BOLT, 5/16-18 x 1/2" Hex Washer Self-Tap Gr. 5 (3)			
24	9-1525	BOLT, 5/16-18 x 1/2" Hex Flange Lock (2)			

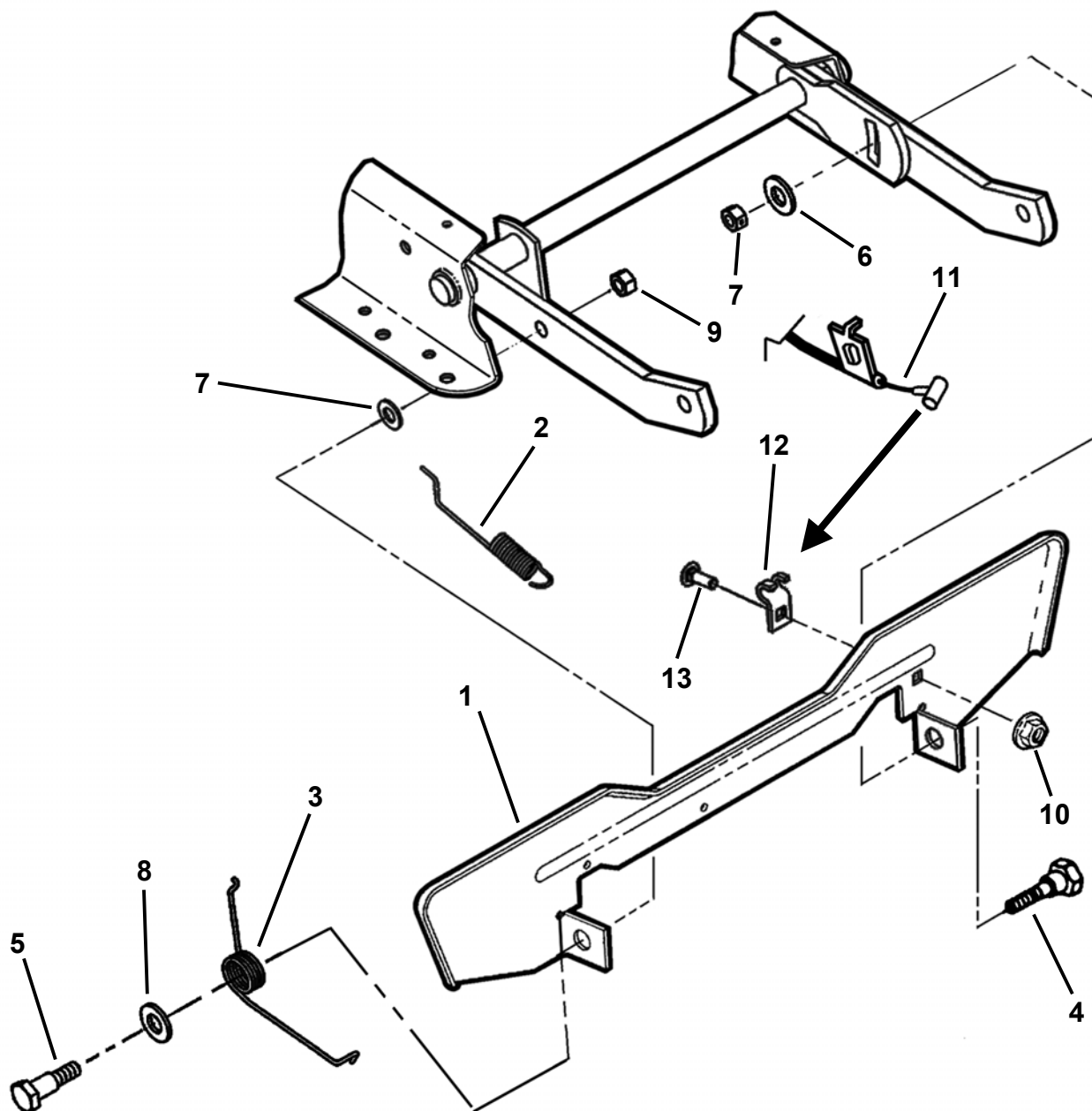
RAILS, LIFT ARMS, CAM LIFT



RAILS, LIFT ARMS, CAM LIFT

ITEM	PART NO.	DESCRIPTION
1	9-1503	HAIRPIN, 3/32" X 1-1/2" (2)
2	2-8200	SWIVEL (2)
3	2-8728	HOOK, Chain (2)
4	9-0223	NUT, 5/16-24 Hex (2)
5	9-0854	NUT, 3/8-24 Hex Nyloc
6	9-0122	WASHER, 3/8" Flat
7	3-4213	PIVOT, Leveling
8	5-9324	ARM, Rear Lift (weldment)
9	9-0483	SCREW, 3/8-24 X 1-3/4" Hex Head Cap Grade 5
10	3-2030	WASHER, 13/32" Flat (2)
11	4-6155	LEVER, Height of Cut
12	9-0289	NUT, 3/8-24 Hex Center Lock
13	4-6159	SPRING, Lever
14	1-2068	RING, Blue (2)
15	3-1855	GUIDE, Belt
16	4-6163	SPRING, Assist (2)
17	3-1838	BRACE, Top
18	1-6122	ROD, Leveling
19	9-0361	SCREW, 5/16-18 x 5/8" Self-Tap
20	5-8969	ASSEMBLY, Clutch Plate
21	4-3848	RAIL, Deck Lift, Right Hand
22	7-3269	RAIL, Deck Lift, Left Hand
23	4-6157	DETENT, Height Adjust
24	9-0324	SCREW, 3/8-16 x 1" Hex Washer Self-Tap (2)
25	4-6217	DETENT, Spacer
26	9-1198	SCREW, 3/8-16 x 5/8" Hex Washer Self-Tap (3)
27	2-6420	GRIP, Height Adjustment Lever
28	1-2067	RING, Red (2)
29	3-2997	ARM, Front Lift
30	5-8041	ARM, Front Lift (Weldment)
31	9-0365	PIN, 1/8 x 3/4" Cotter
32	2-2717	ROD, Support (Front Lift Arm to Front End)
33	1-7847	SNAP RING, 7/16"
34	9-0858	SCREW, 5/16-18 X 1/2" Hex Washer Self-Tap (2)
35	7-1920	SPACER, Deck Lift (2)
36	9-2051	BOLT, #10-24 x 1" Flat Head Square Neck
37	9-1290	NUT, #10-24 Hex Nyloc
38	3-2243	ANCHOR
39	9-0233	SCREW, 5/16-24 x 3/4" Hex Head Cap, Grade 5 (2)
40	9-0391	WASHER, 5/16" Internal Tooth Lock (2)

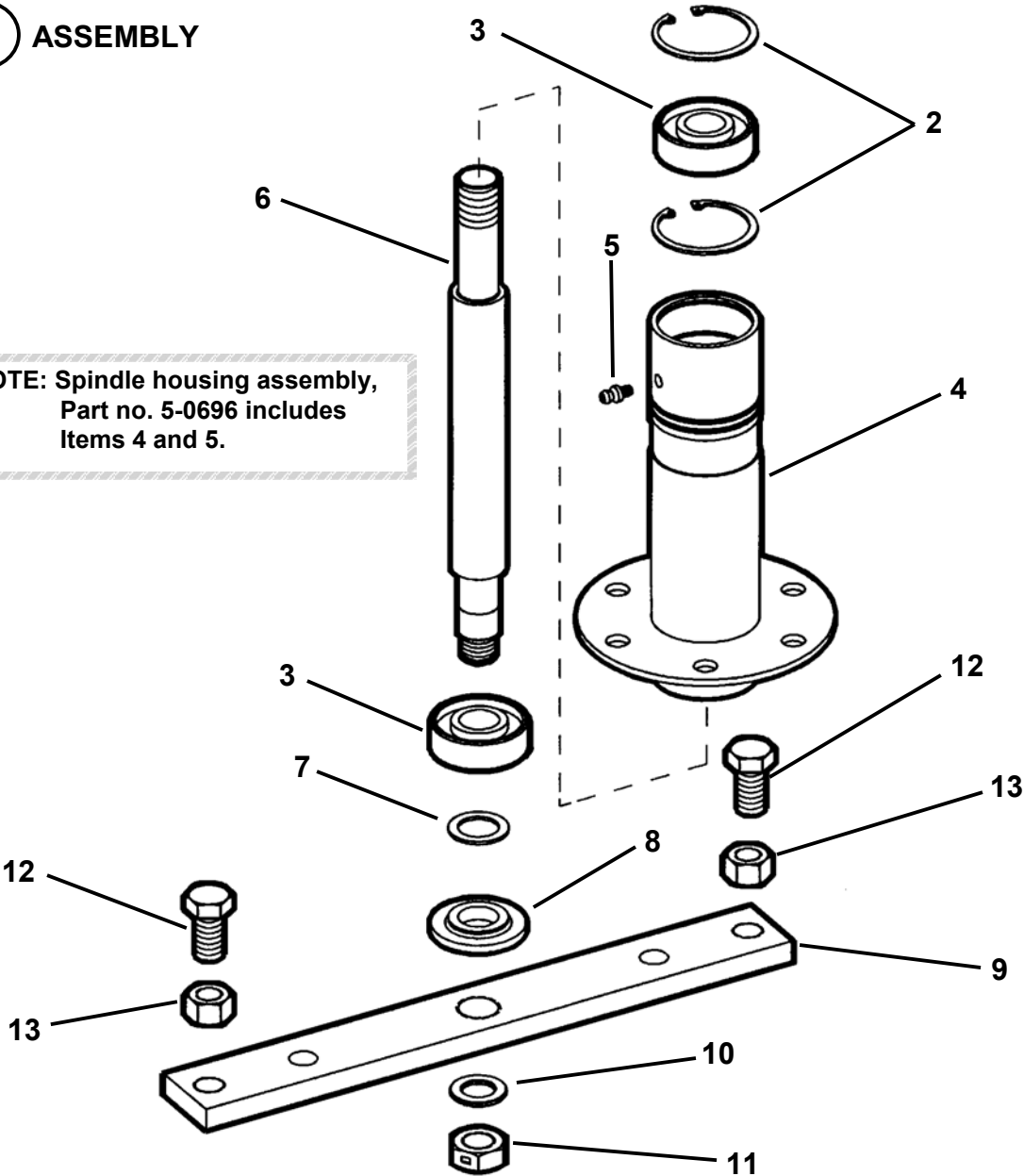
BLADE STOP PEDALS



ITEM	PART NO.	DESCRIPTION
1	7-3267	PEDAL, Blade Stop Control
2	3-5669	SPRING, Latching
3	1-5448	SPRING, Pedal
4	1-5495	BOLT, 3/8-24 Shoulder, Grade 5
5	1-5446	BOLT, 3/8-24 x 9/16" Shoulder
6	1-2063	WASHER, Cone 13/32" I. D.
7	9-0155	NUT, 3/8-24 Hex, Grade B
8	9-0250	WASHER, 1/2" Flat (2)
9	9-0289	NUT, 3/8-24 Hex Center Lock
10	9-1584	NUT, 1/4-20 Hex Flange Lock, Grade 5
11	7-3216	CABLE, No Reverse In Mow
12	7-3217	CLIP, Cable
13	9-1776	BOLT, 1/4-20 x 3/4" Square Neck Carriage, Grade 5

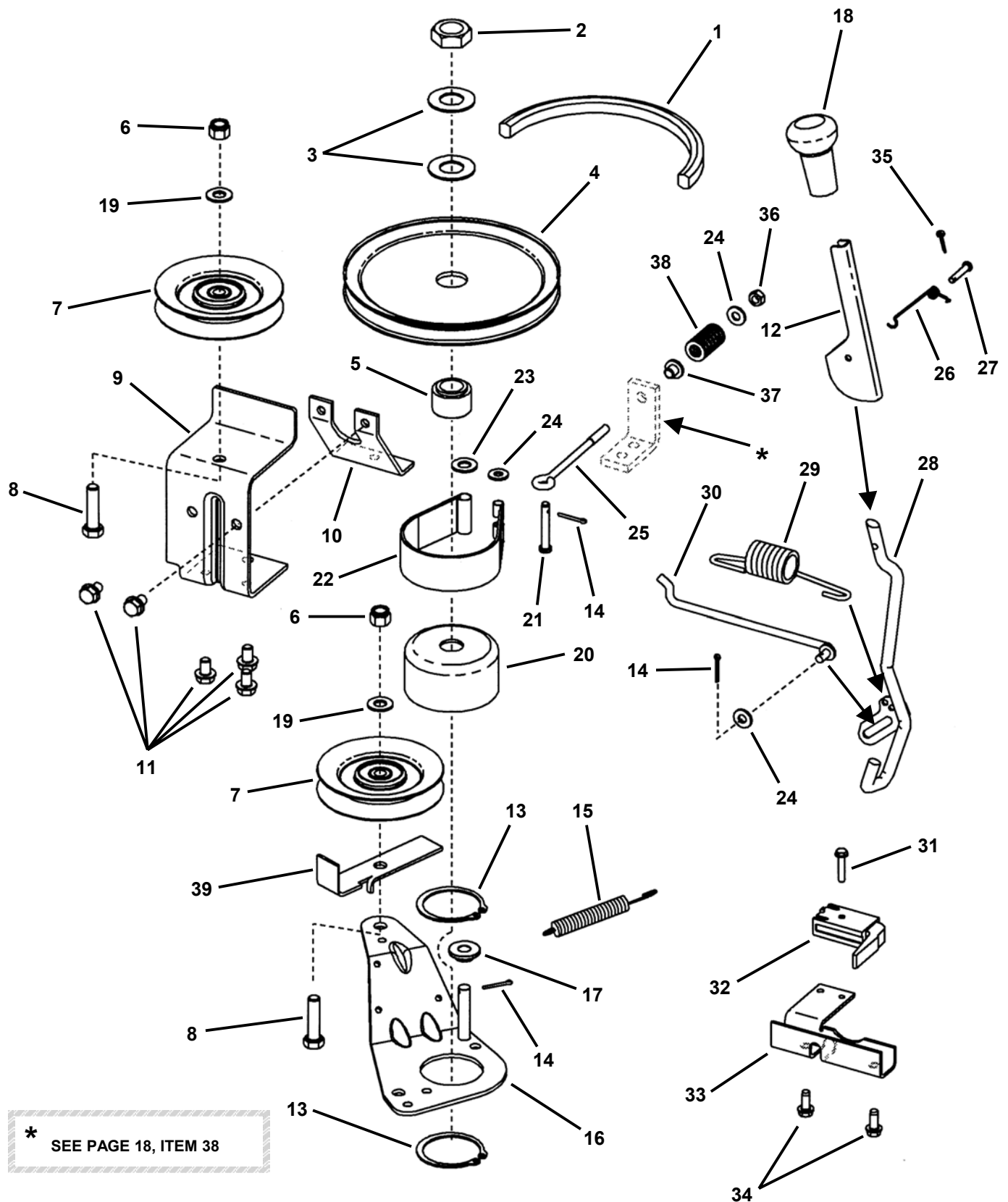
1 ASSEMBLY

**NOTE: Spindle housing assembly,
Part no. 5-0696 includes
Items 4 and 5.**



ITEM	PART NO.	DESCRIPTION
1	5-4531	ASSEMBLY, Spindle Housing (Includes Items 2 Thru 13)
2	1-2491	RING, 1.85" Internal Retaining (2)
3	1-3313	BEARING, Spindle (2)
4	4-0460	WELDMENT, Spindle Housing
5	1-0817	FITTING, Lube (for 3/16" diameter hole)
6	4-4785	SPINDLE, Rider (10.327" overall length)
7	1-0935	WASHER, 3/4" Shim
8	1-4407	WASHER, Spindle
9	3-7751	HOLDER, Blade
10	4-4782	SPACER, Blade Centering
11	9-0356	NUT, 5/8-18 Hex Center Lock
12	9-0491	SCREW, 1/2-20 x 1-1/4" Hex Head Cap, Grade 5 (2)
13	9-1939	NUT, 1/2-20 Hex Jam (2)

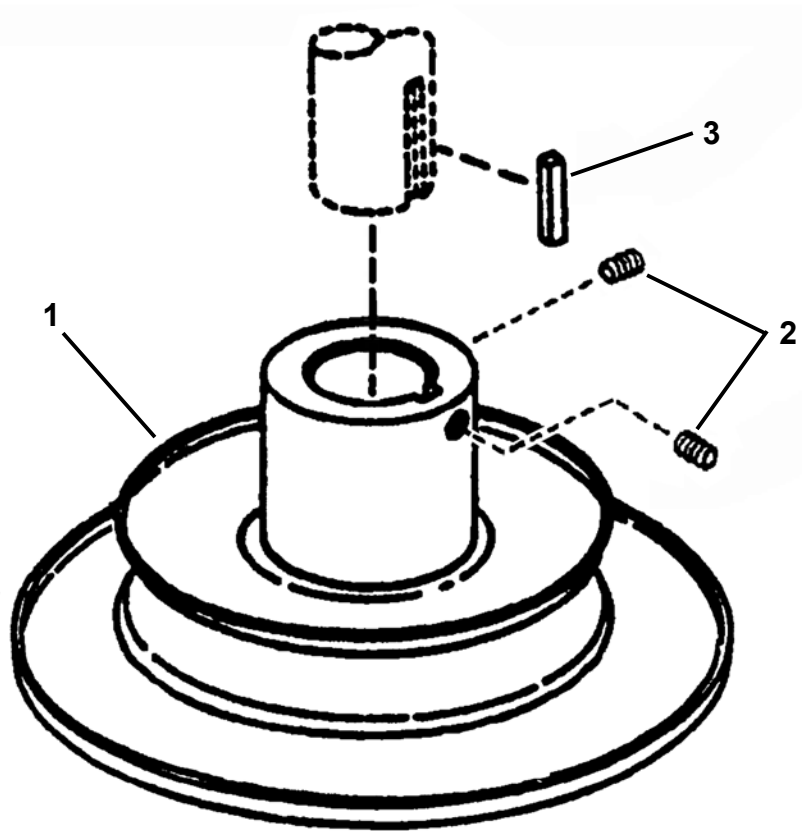
BELTS, BRAKES, INTERLOCK



BELTS, BRAKES, INTERLOCK

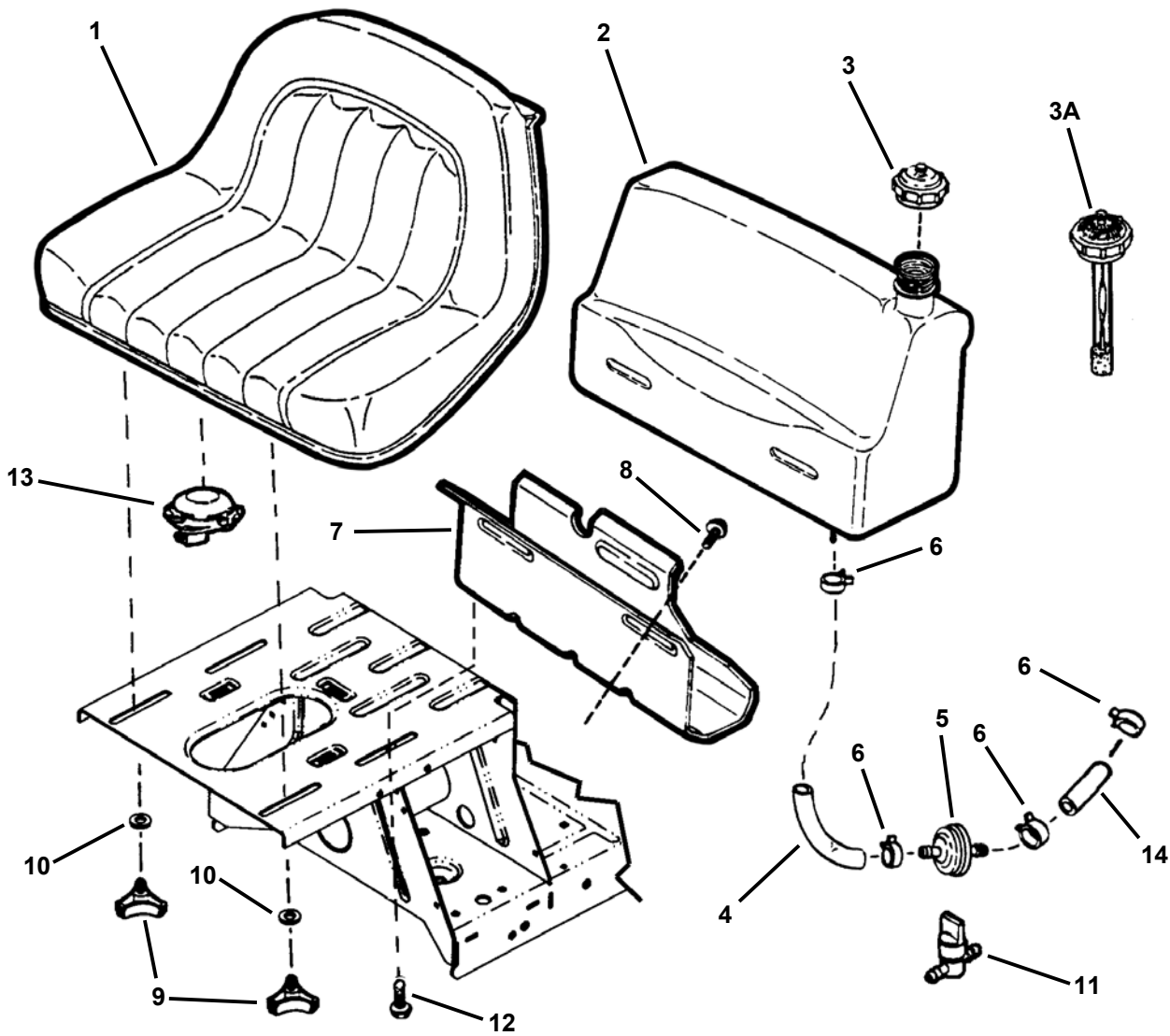
ITEM	PART NO.	DESCRIPTION
1	4-3844	BELT, Drive (73.75" AA Section) (Note: part number appears on belt)
2	7-4467	NUT, 3/4-16 Hex Jam, Grade 8
3	3-2027	WASHER, 49/64" I.D. x 1-1/2" O.D. Flat (2)
4	1-8781	PULLEY, Spindle
5	1-5290	HUB, Pulley
6	9-1299	NUT, 3/8-16 Nyloc (2)
7	2-9624	PULLEY, 4" Idler (2)
8	9-1497	SCREW, 3/8-16 x 1-1/2" Hex Head Cap, Grade 5 (2)
9	3-5728	BRACKET, Fixed Idler
10	3-6526	BRACE, Fixed Idler Bracket
11	9-0858	SCREW, 5/16-18 x 1/2" Hex Washer Self-Tap (5)
12	4-6567	HANDLE, Blade Engage (Flip)
13	1-0740	RING, 2" External Retaining (2)
14	9-0037	PIN, 3/32 x 3/4" Cotter (3)
15	3-6521	SPRING, Extension, 4" x 1/2" Diameter
16	4-7787	ARM, Idler (weldment)
17	1-4314	SPACER
18	4-6874	GRIP, Handle
19	9-1514	WASHER, 3/8" Flat (2)
20	3-5378	DRUM, Brake
21	1-4304	PIN, 1/4" x 1-5/8" Clevis
22	3-4852	BAND, Brake
23	9-0122	WASHER, 3/8" Flat (2)
24	9-0055	WASHER, 1/4" Flat (4)
25	4-6677	EYE-BOLT, 1/4-20 x 4"
26	4-6648	SPRING, Flip Handle
27	9-1974	PIN, 3/16 x 1" Clevis
28	5-9254	HANDLE, Blade Lever (ON-OFF) (weldment)
29	1-4168	SPRING, Blade Handle
30	1-2055	ROD, Idler
31	9-0299	SCREW, #10-32 x 1" Hex Washer Self-Tap
32	1-8524	SWITCH, Deck Interlock (NO)
33	3-8021	MOUNT, Handle/Switch
34	9-0362	SCREW, 1/4-20 x 5/8" Hex Washer Self-Tap (2)
35	9-0555	PIN, 3/32 x 1/2" Cotter
36	9-0761	NUT, 1/4-20 Hex Top Lock
37	1-4343	BUSHING
38	4-6782	SPRING
39	3-2111	RESTRICTOR, Belt

DRIVE DISC ASSEMBLY



ITEM	PART NO.	DESCRIPTION
1	7-4187	WELDMENT, 5.25" O.D. Drive Disc (33" Models)
-	7-2658	WELDMENT, 5.75" O.D. Drive Disc (28", 30" & 42" Models)
2	9-0132	SCREW, 3/8-16 x 3/8" Set (2)
3	1-0210	KEY, 1/4" Square x 2"

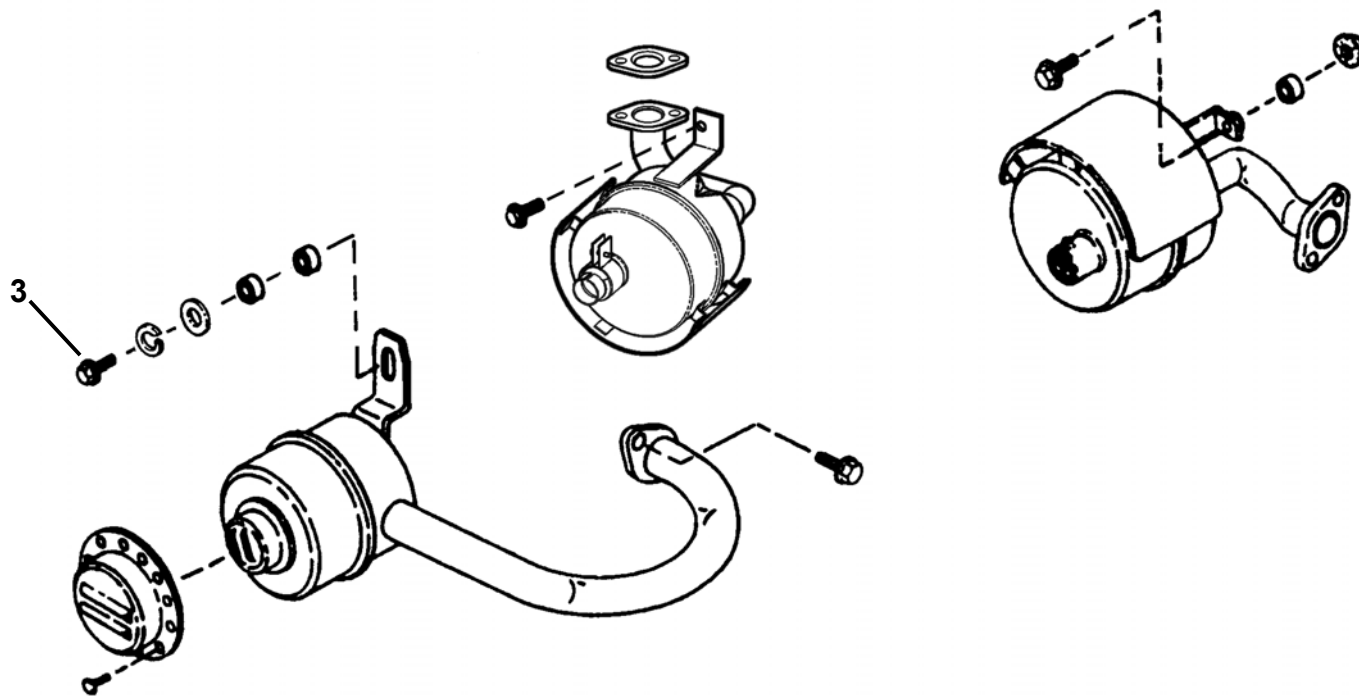
FUEL TANK & OPERATORS SEAT



ITEM	PART NO.	DESCRIPTION
1	2-8595	SEAT, Operator (12, 14.5 & 15HP Models) (shown)
--	2-8650	SEAT, Operator (9 & 10HP Models) (not shown)
2	5-1905	ASSEMBLY, Fuel Tank (9 & 10HP Models) (Includes Item 3)
--	5-2435	ASSEMBY, Fuel Tank with Gauge (12, 14.5 & 15HP Models) (Incl. Item 3A)
3	1-2515	CAP, Fuel Tank
3A	1-9377	CAP, Fuel Tank (With Gauge)
4	7-6272	HOSE, Fuel (8-1/2" Long) (Briggs & Stratton: 8HP thru 14HP)
--	1-2912	HOSE, Fuel (12-1/2" Long) (Kohler Only!)
5	1-4359	FILTER, Fuel (In-Line)
6	1-2222	CLAMP, Fuel Line (4)
7	3-3377	BRACKET, Fuel Tank (Rear)
8	9-1542	SCREW, 5/16-18 x 5/8" Pan Head Self-Tap (Torx #T-40) (2)
9	2-3191	KNOB, Seat Adjusting (2)
10	1-3849	SPACER, 5/16 (2)
11	2-4507	VALVE, Fuel Shut-Off (Accessory)
12	9-1038	BOLT, 5/16-18 x 1/2" Hex Flange Lock w/Nylon Patch (2)
13	2-9211	SWITCH, Seat (Normally Closed)
14	7-7351	HOSE, Fuel (3-1/2" Long)

ENGINES & EXHAUST MUFFLER

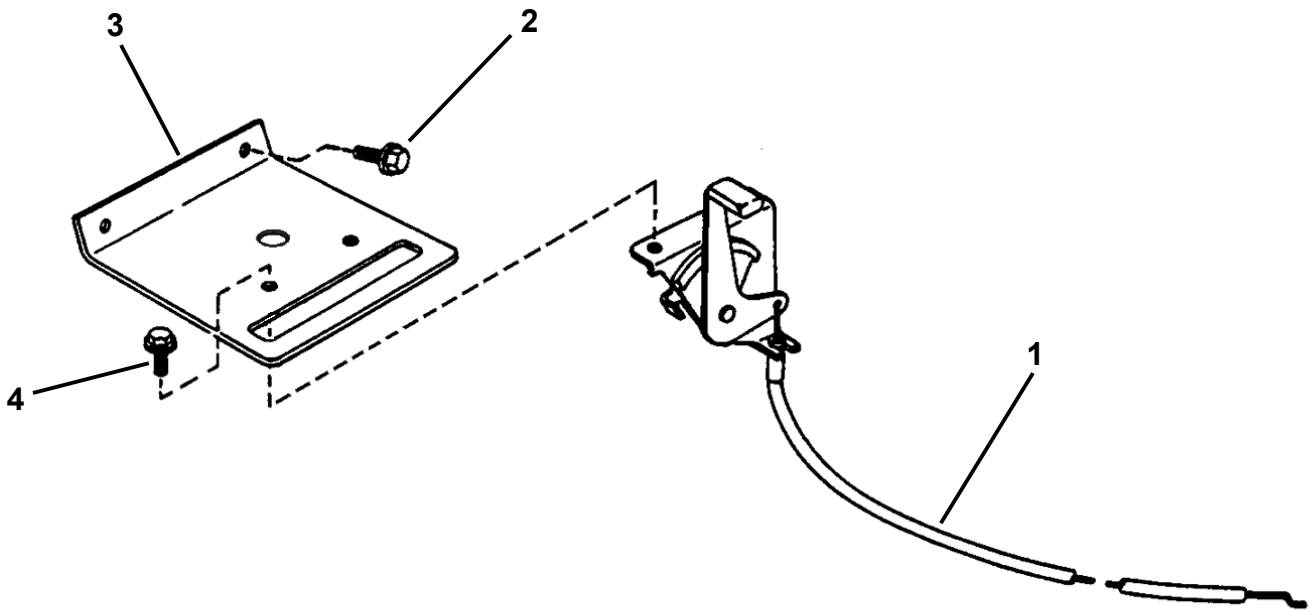
ENGINE H.P.	START TYPE	ENGINE MFGR.	MFGR. MODEL	MFGR. TYPE
9.0	RECOIL	BRIGGS & STRATTON	28B702	1154-E1
14.5	ELECTRIC	BRIGGS & STRATTON C.A.R.B.	287707	1235-E1
15.0	ELECTRIC	KOHLER	CV15ST	PS-41580



9

ITEM	PART NO.	DESCRIPTION
1	5-1996	MUFFLER (B&S 9-12 HP) (Includes items 8 & 9)
2	9-0206	SCREW, 5/16-18 x 3/4" Hex Head Cap, Grade 2 (2)
3	9-1814	SCREW, 1/4-20x1-1/4" Hex Head Cap
4	1-9358	MUFFLER (Kohler 15 HP)
5	7-4453	MUFFLER (B&S 14 HP)
6	1-3849	SPACER (2)
7	9-1065	NUT, 1/4-20 Hex Flange Lock
8	1-9257	DEFLECTOR, Heat
9	2-3023	SCREW #8-18 x 3/8" Type AB Modified
10	9-0362	SCREW, 1/4-20 x 5/8" Hex Washer Self-Tap
11	9-1495	SCREW, 1/4-20 x 3/4" Hex Head Cap, Grade 5
12	1-5352	GASKET, Muffler
13	9-1294	WASHER, 1/4" Flat
14	9-0052	WASHER, 1/4" Split Lock

THROTTLE CONTROL



ITEM	PART NO.	DESCRIPTION
1	2-2751	CONTROL, Throttle (23.6" long) (Briggs Engines)
--	7-4320	CONTROL, Throttle (34.6" long) (Kohler Engine)
2	9-0539	SCREW, 1/4-20 x 1/2" Hex Washer Self-Tap (2)
3	3-3470	PLATE, Throttle Control
4	9-0913	SCREW, #10-24 x 1/2" Hex Washer Self-Tap (Torx) (2)

DECALS



ITEM	PART NO.	DESCRIPTION
1	2-3996	DECAL, 28 Inch
2	2-3997	DECAL, 30 Inch
3	2-2991	DECAL, 33 Inch
4	7-1916	DECAL, Snapper
5	7-4481	DECAL, No Mow in Reverse
6	2-6831	DECAL, Danger (CPSC)
7	4-6218	DECAL, Height Cut
8	2-3980	DECAL, Back-up Recoil
9	2-3982	DECAL, OHV
10	2-9470	DECAL, Patent Numbers

This Product may be covered by one or more of the following patents:

4,158,279	4,164,112
4,189,903	4,248,034
4,430,848	4,498,552
4,920,733	4,936,886
4,989,400	5,042,241
5,146,735	5,195,308
5,297,379	5,303,534
5,353,581	5,488,818
5,526,635	D358,400
Other Patents Pending.	29470

BEFORE STARTING ENGINE OR DISMOUNTING MOWER

- PRESS CLUTCH/BRAKE PEDAL FULLY
- ENGAGE PARKING BRAKE
- BLADE LEVER MUST BE "OFF"
- MOVE SHIFT LEVER TO "N" NEUTRAL

WARNING

AVOID SERIOUS INJURY OR DEATH

- READ ALL MANUALS AND INSTRUCTIONS FURNISHED WITH THE MACHINE.
- MAKE SURE THAT SHIELDS, GUARDS, SWITCHES, AND OTHER SAFETY DEVICES ARE IN PROPER POSITION AND FUNCTIONAL.
- CLEAR MOWING AREA OF WIRE, ROCKS AND OTHER OBJECTS THAT COULD CAUSE INJURY IF THROWN BY BLADE.
- DO NOT ALLOW CHILDREN (PRE-TEENAGERS) ON MACHINE (EVEN WITH BLADE OFF) OR IN YARD WHEN MOWING. KEEP OTHERS SAFELY AWAY FROM THE OPERATING AREA.
- LOOK DOWN AND BEHIND MACHINE BEFORE AND WHILE BACKING.
- DO NOT MOW ON SLOPES, OR IN ANY AREA WHERE STABILITY OR TRACTION IS IN DOUBT. IF YOU CAN NOT BACK-UP A SLOPE, DO NOT MOW ON IT.
- DO NOT MOW ACROSS FACE OF SLOPES. REDUCE SPEED AND AVOID SHARP TURNS ON SLOPES.
- AVOID UPHILL STARTS. IF THE MACHINE IS STOPPED GOING UP A SLOPE, TURN BLADE OFF AND BACK DOWN THE SLOPE.
- STOP BLADE BEFORE PUTTING FOOT ON GROUND OR LEAVING SEAT.
- AVOID SUDDEN TURNS.

46440

WARNING

GUARD OR ENTIRE GRASS CATCHER MUST BE INSTALLED BEFORE OPERATING MOWER

46720

CAUTION

POSITIVE (+) BATTERY POST MUST BE TO REAR TO PREVENT ARCING AND POSSIBLE EXPLOSION OR FIRE.

USE ONLY SNAPPER REPLACEMENT BATTERY TO AVOID ACID DAMAGE.

1-5691



REMOVE BATTERY BEFORE STANDING MOWER ON END FOR MORE THAN 2 HOURS

2023

CAUTION

IF BATTERY IS REMOVED, DO NOT OPERATE ENGINE WITHOUT INSULATING POS+ BATTERY CABLE TERMINAL WITH ELECTRICAL TAPE, OR SPARKING FROM BATTERY CABLES CAN RESULT.

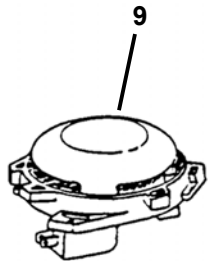
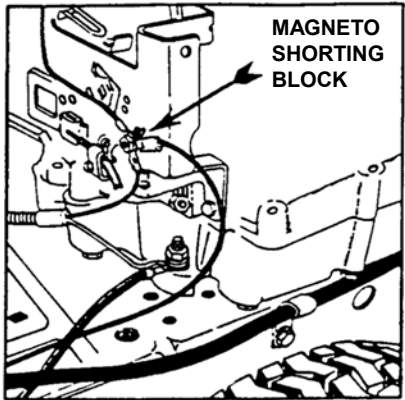
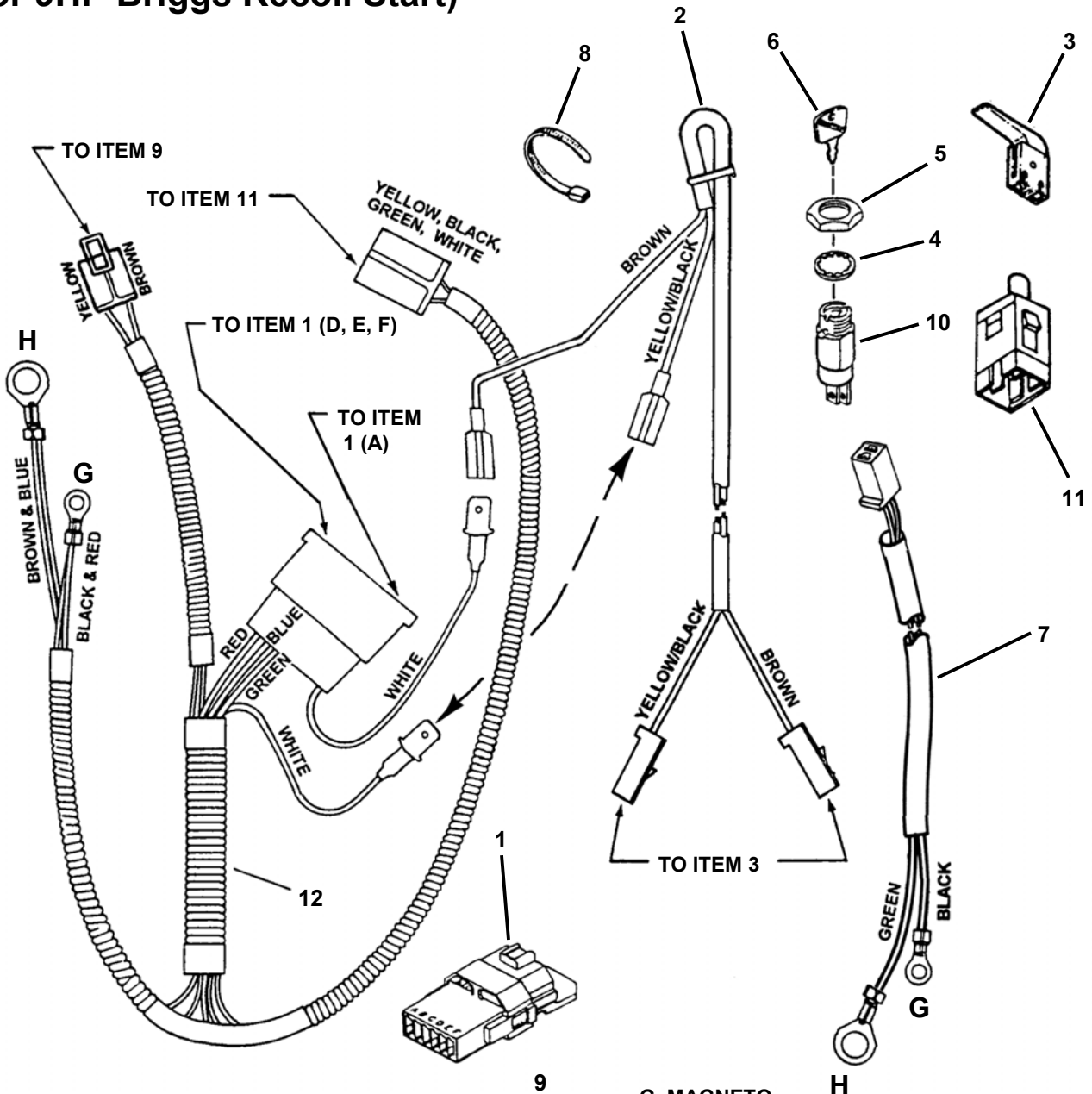
TO STAND ON END: CLOSE CAP VENT AND REMOVE TANK IF FUEL IS OVER 3/4 FULL.

29113

ITEM	PART NO.	DESCRIPTION
1	4-6440	DECAL, Safety Instructions
2	4-6720	DECAL, Chute/Deflector Warning
3	1-5691	DECAL, Battery Caution
4	7-3335	DECAL, OPEI, Ride-On
5	2-9113	DECAL, Caution, Fuel (English)
6	1-2358	DECAL, Battery
7	1-6134	DECAL, Caution Tag

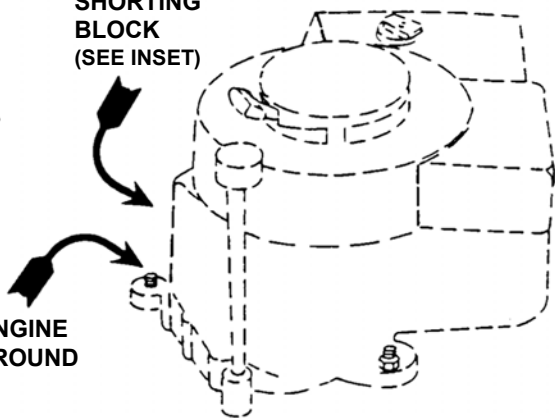
ELECTRICAL SYSTEMS

(For 9HP Briggs Recoil Start)



G. MAGNETO SHORTING BLOCK (SEE INSET)

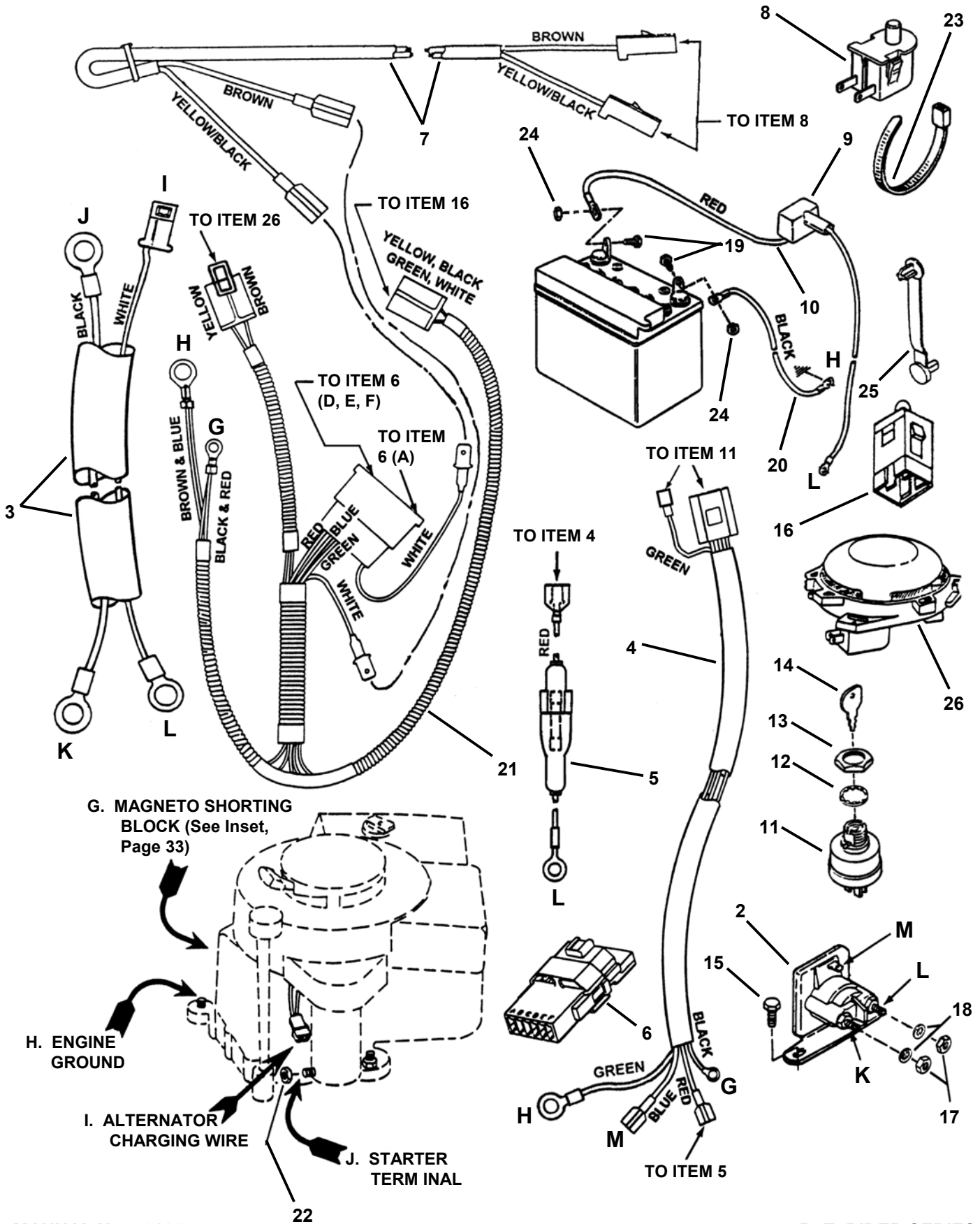
H. ENGINE GROUND



ELECTRICAL SYSTEMS (For 9HP Briggs Recoil Start)

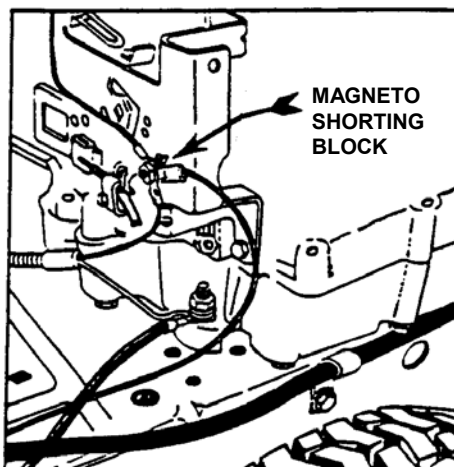
ITEM	PART NO.	DESCRIPTION
1	2-8606	INTERLOCK, Module
2	2-8386	HARNESS, Deck Interlock
3	1-8524	SWITCH, Deck Interlock (NO)
4	9-0880	WASHER, 5/8 Internal Tooth Lock
5	1-5438	NUT, 5/8-32 Hex
6	1-1138	KEY, Switch (2)
7	7-3714	HARNESS, Ground (Recoil Start)
8	1-2080	TIE, 7" Long Cable (3)
9	2-9211	SWITCH, Seat (NC)
10	1-7817	SWITCH, Ignition (2-Pole) (Recoil Start)
11	2-2886	SWITCH, Traction Operator's Presence (NC/NO)
12	2-8607	HARNESS, Operator's Presence Control

ELECTRICAL SYSTEMS (For 10 & 12 HP BRIGGS)

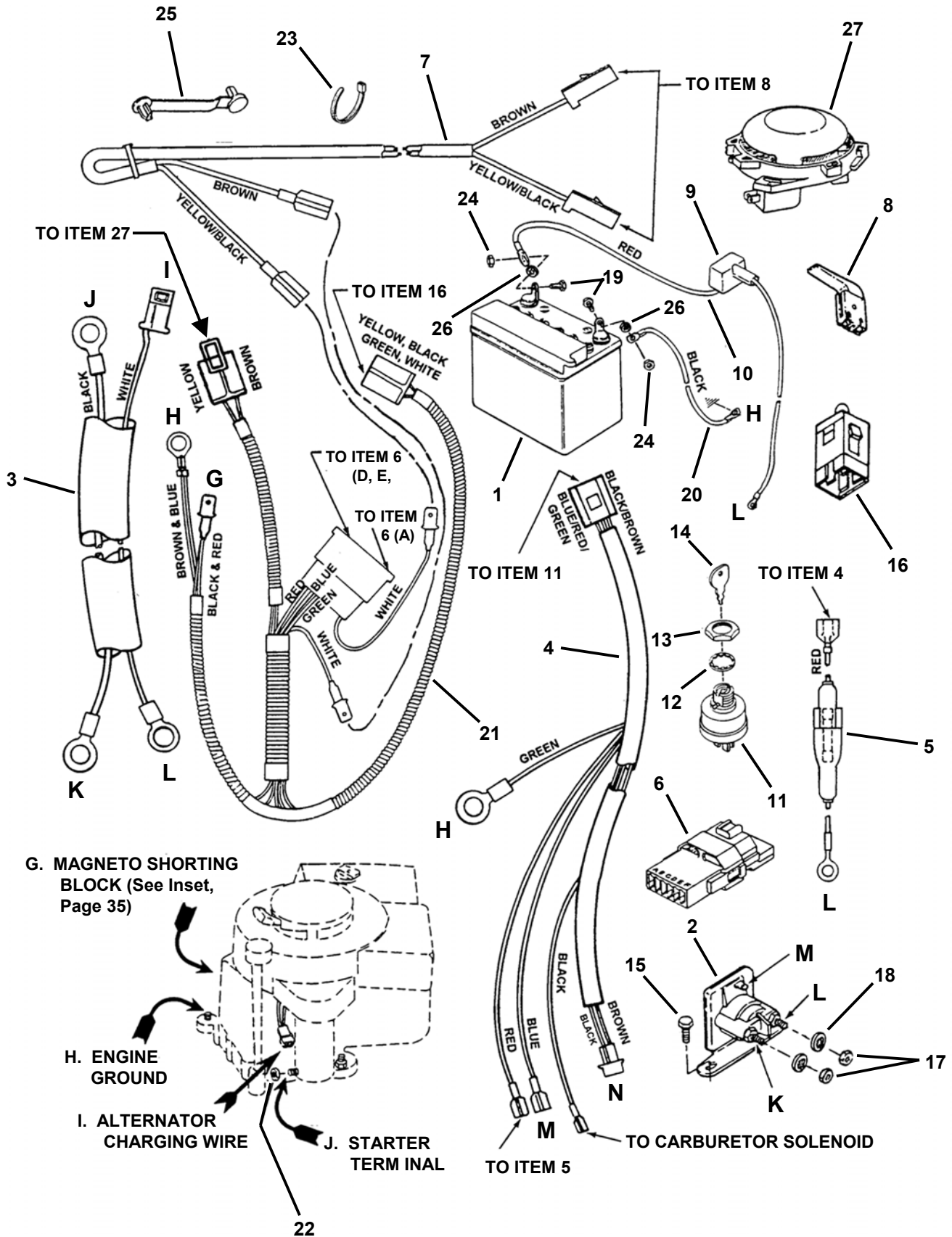


ELECTRICAL SYSTEMS (For 10 & 12 HP BRIGGS)

ITEM	PART NO.	DESCRIPTION
1	6-0753	KIT, 12V Dry Charge Battery
2	1-8817	SOLENOID
3	2-2788	HARNESS, Starter Wiring (Briggs)
4	7-3715	HARNESS, Ignition Wiring (Briggs)
5	1-6168	HOLDER, Fuse (Includes Fuse)
--	1-6169	FUSE (10 AMP)
6	2-8606	INTERLOCK Module (Briggs)
7	2-8386	HARNESS, (Deck Interlock Wiring)
8	1-8524	SWITCH, Deck Interlock (NO)
9	1-2444	COVER, Battery Cable
10	1-9326	CABLE, Positive (Red)
11	7-3797	SWITCH, Ignition (Used With Electric Start)
12	9-0880	WASHER, 5/8" Internal Tooth Lock
13	1-5438	NUT, 5/8-32 Hex
14	1-1138	KEY, Switch (2)
15	9-0539	SCREW, 1/4-20 x 1/2" Hex Washer Self-Tap (3)
16	2-2886	SWITCH, Operator Presence Control (OPC) Traction (NC/NO)
17	9-1576	NUT, 1/4-20 Hex, Grade 5 or B (4)
18	9-0053	WASHER, 1/4" Internal Tooth Lock (2)
19	2-7172	SCREW, 1/4-20 x 5/8" Hex Head Cap, Grade 5 (2)
20	2-8027	CABLE, Negative
21	2-8607	HARNESS, Operator Presence Control Wire
22	9-1576	NUT, 1/4-20 Hex, Grade 5 or B
23	1-2080	TIE, 7" Long Cable (2)
24	9-0372	NUT, 1/4-20 Hex Center Lock, Grade 5 or B (2)
25	1-4451	TIE, 2" Long Cable
26	2-9211	SWITCH, Seat (NC)

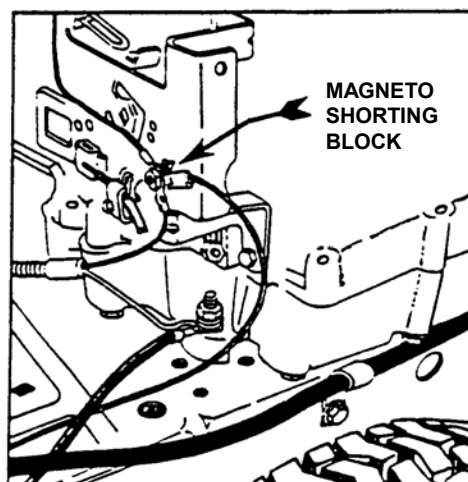


ELECTRICAL SYSTEMS (For 14.5 HP BRIGGS)

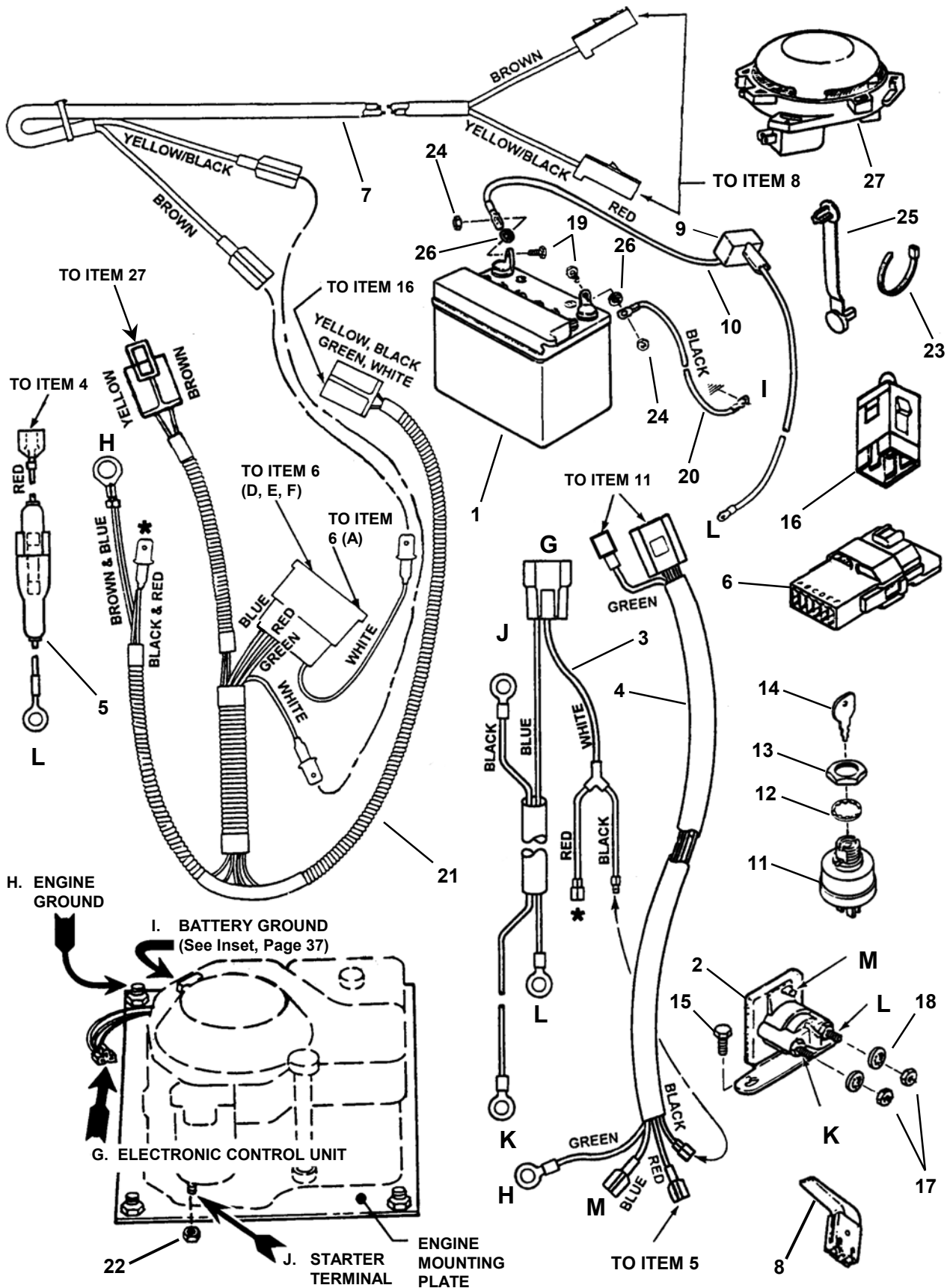


ELECTRICAL SYSTEMS (For 14.5 HP BRIGGS)

ITEM	PART NO.	DESCRIPTION
1	6-0753	KIT, 12V Dry Charge Battery
2	1-8817	SOLENOID
3	2-2788	HARNESS, Starter Wiring (Briggs)
4	7-4406	HARNESS, Ignition Wiring (Briggs)
5	1-6168	HOLDER, Fuse (Includes Fuse)
--	1-6169	FUSE (10 AMP)
6	2-8606	INTERLOCK Module (Briggs)
7	2-8386	HARNESS, (Deck Interlock Wiring)
8	1-8524	SWITCH, Deck Interlock (NO)
9	1-2444	COVER, Battery Cable
10	1-9326	CABLE, Positive, 17" long (Red)
11	2-6343	SWITCH, Ignition-Afterfire Solenoid
12	9-0880	WASHER, 5/8" Internal Tooth Lock
13	1-5438	NUT, 5/8-32 Hex
14	1-1138	KEY, Switch (2)
15	9-0539	SCREW, 1/4-20 x 1/2" Hex Washer Self-Tap (3)
16	2-2886	SWITCH, Operator Presence Control (OPC) Traction (NC/NO)
17	9-1576	NUT, 1/4-20 Hex, Grade 5 or B (4)
18	9-0053	WASHER, 1/4" Internal Tooth Lock (2)
19	2-7172	SCREW, 1/4-20 x 5/8" Hex Head Cap, Grade 5 (2)
20	2-8027	CABLE, Negative (15")
21	2-8675	HARNESS, Operator Presence Control Wire
22	9-1576	NUT, 1/4-20 Hex, Grade 5 or B
23	1-2080	TIE, 7" Long Cable (2)
24	9-0372	NUT, 1/4-20 Hex Center Lock, Grade 5 or B (2)
25	1-4451	TIE, 2" Long Cable
26	1-2485	RETAINER, 1/4" Bolt (2)
27	2-9211	SWITCH, Seat (NC)

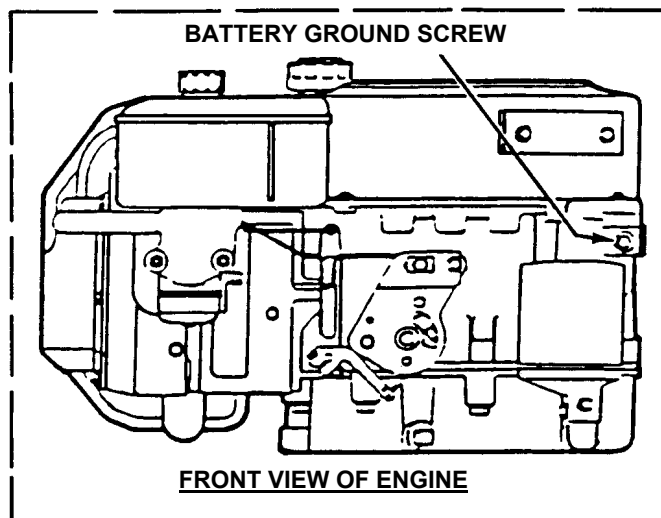


ELECTRICAL SYSTEMS (For 15 HP KOHLER)

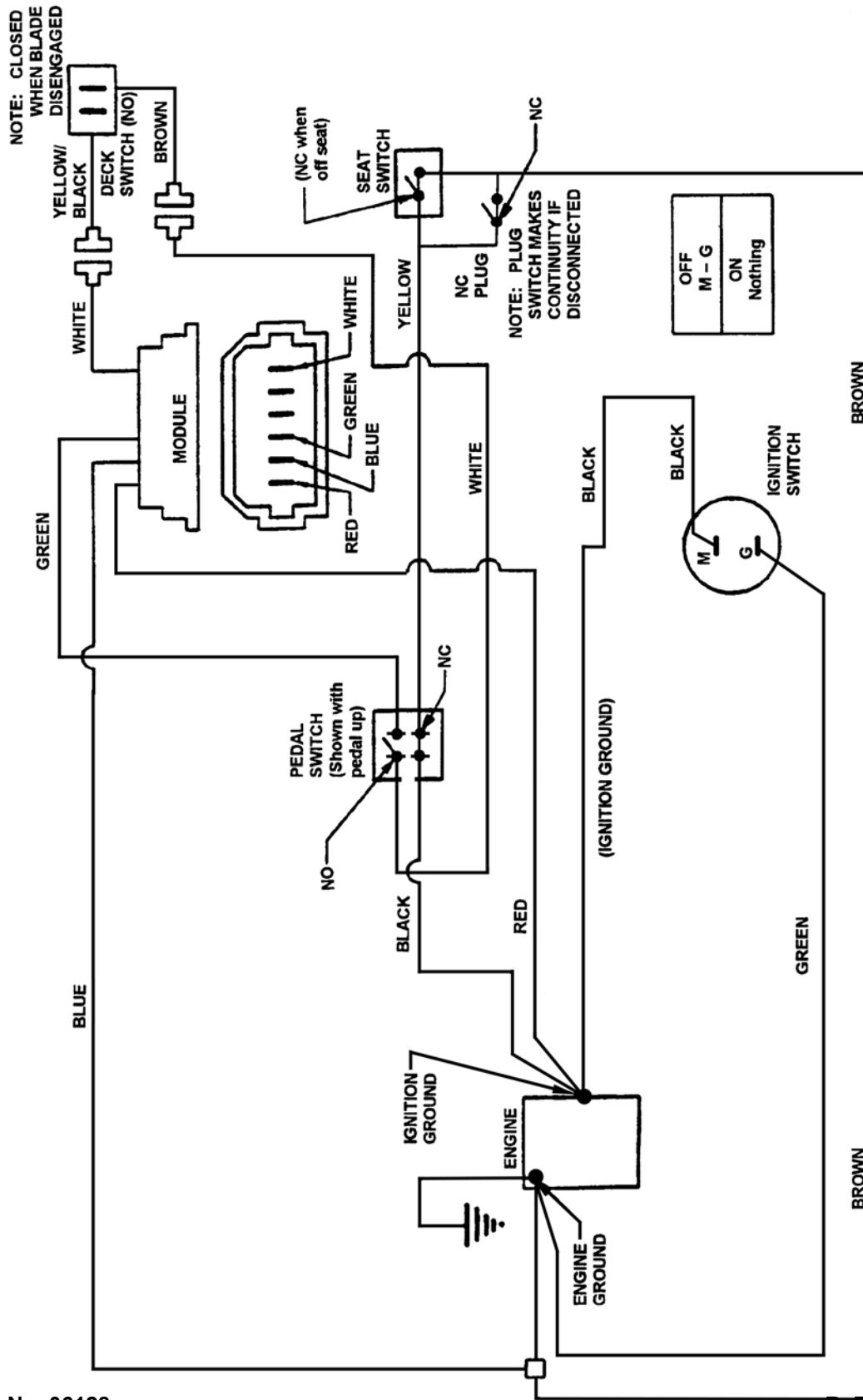


ELECTRICAL SYSTEMS (For 15 HP KOHLER)

ITEM	PART NO.	DESCRIPTION
1	6-0753	KIT, 12V Dry Charge Battery
2	1-8817	SOLENOID
3	1-9321	HARNESS, Starter Wiring (Kohler)
4	7-4405	HARNESS, Ignition Wiring (15HP Kohler)
5	1-6168	HOLDER, Fuse (Includes Fuse)
--	1-6169	FUSE (10 AMP)
6	2-8606	INTERLOCK Module
7	2-8386	HARNESS, (Deck Interlock Wiring)
8	1-8524	SWITCH, Deck Interlock (NO)
9	1-2444	COVER, Battery Cable
10	1-9326	CABLE, Positive (Red) (17" Long)
11	7-3797	SWITCH, Ignition (Used With Electric Start)
12	9-0880	WASHER, 5/8" Internal Tooth Lock
13	1-5438	NUT, 5/8-32 Hex
14	1-1138	KEY, Switch (2)
15	9-0539	SCREW, 1/4-20 x 1/2" Hex Washer Self-Tap (3)
16	2-2886	SWITCH, Operator Presence Control (OPC)Traction (NC/NO)
17	9-1576	NUT, 1/4-20 Hex, Grade 5 or B (4)
18	9-0053	WASHER, 1/4" Internal Tooth Lock (2)
19	2-7172	SCREW, 1/4-20 x 5/8" Hex Head Cap, Grade 5 (2)
20	2-8027	CABLE, Negative (15")
21	2-8678	HARNESS, Operator Presence Control Wire
22	9-1576	NUT, 1/4-20 Hex, Grade 5 or B
23	1-2080	TIE, 7" Long Cable (2)
24	9-0372	NUT, 1/4-20 Hex Center Lock, Grade 5 or B (2)
25	1-4451	TIE, 2" Long Cable
26	1-2485	RETAINER, 1/4" Bolt (2)
27	2-9211	SWITCH, Seat (NC)



WIRING SCHEMATICS

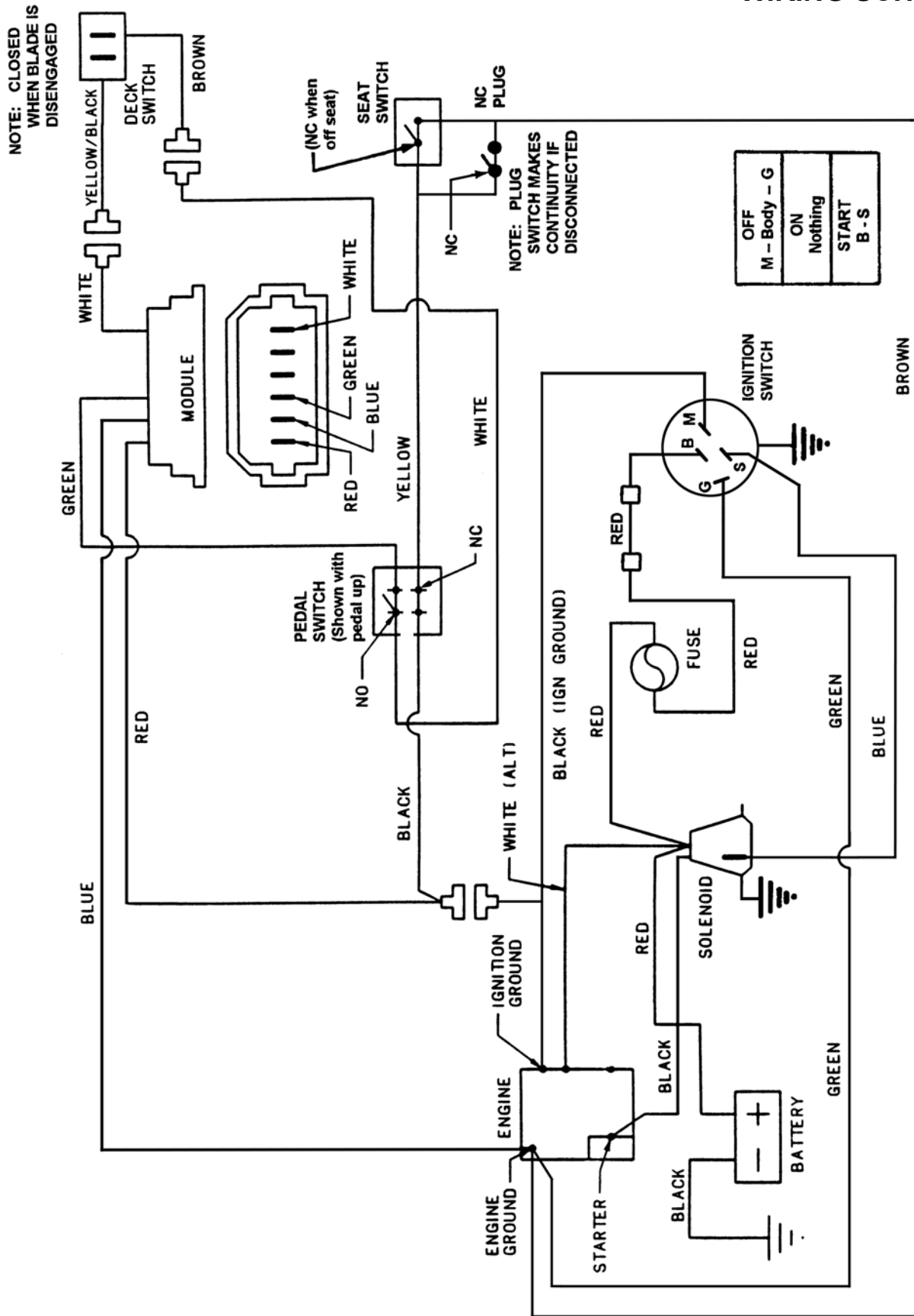


MANUAL No. 06128

R. E. RIDER SERIES 22

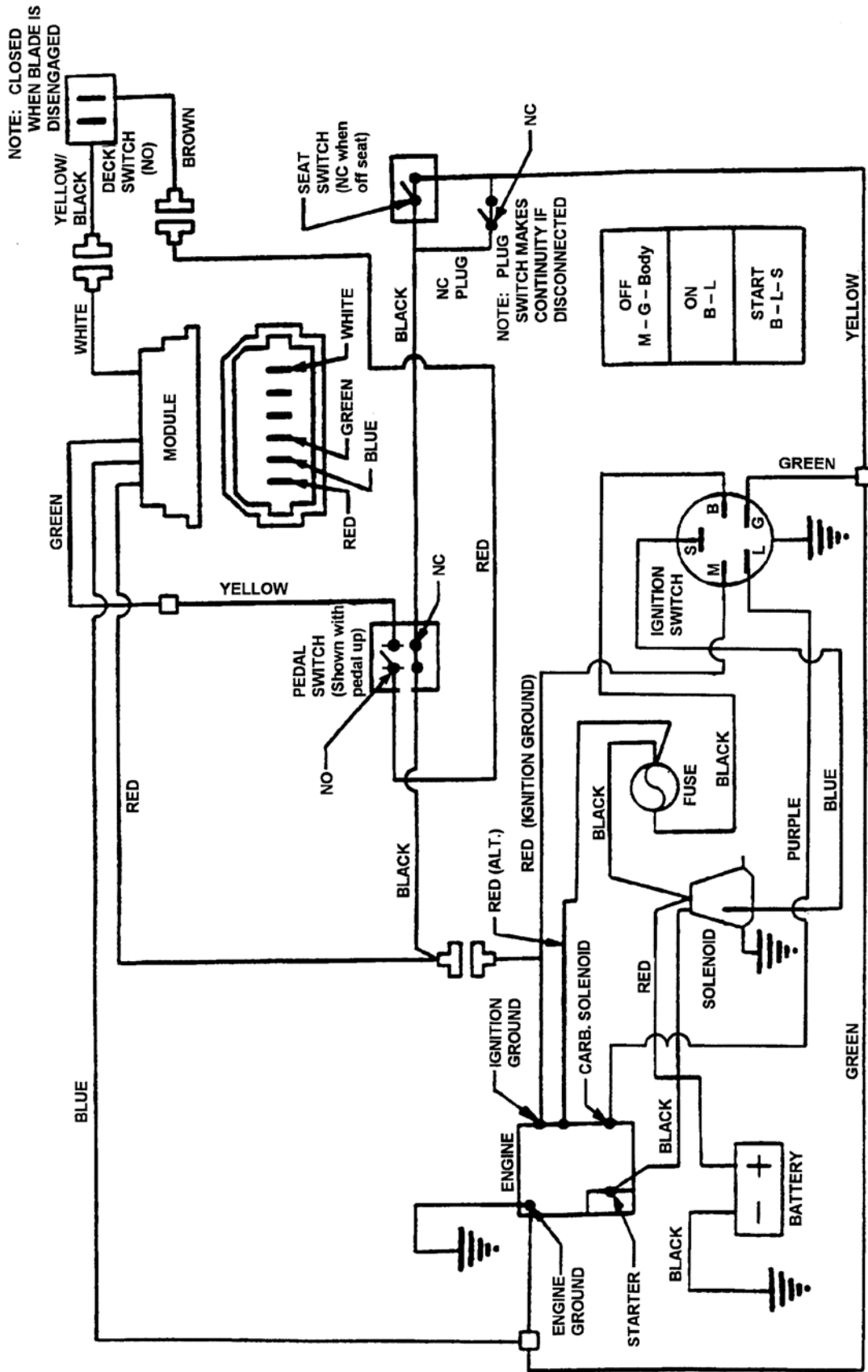
WIRING SCHEMATIC FOR 9 HP RECOIL START (Briggs Engines)

WIRING SCHEMATICS



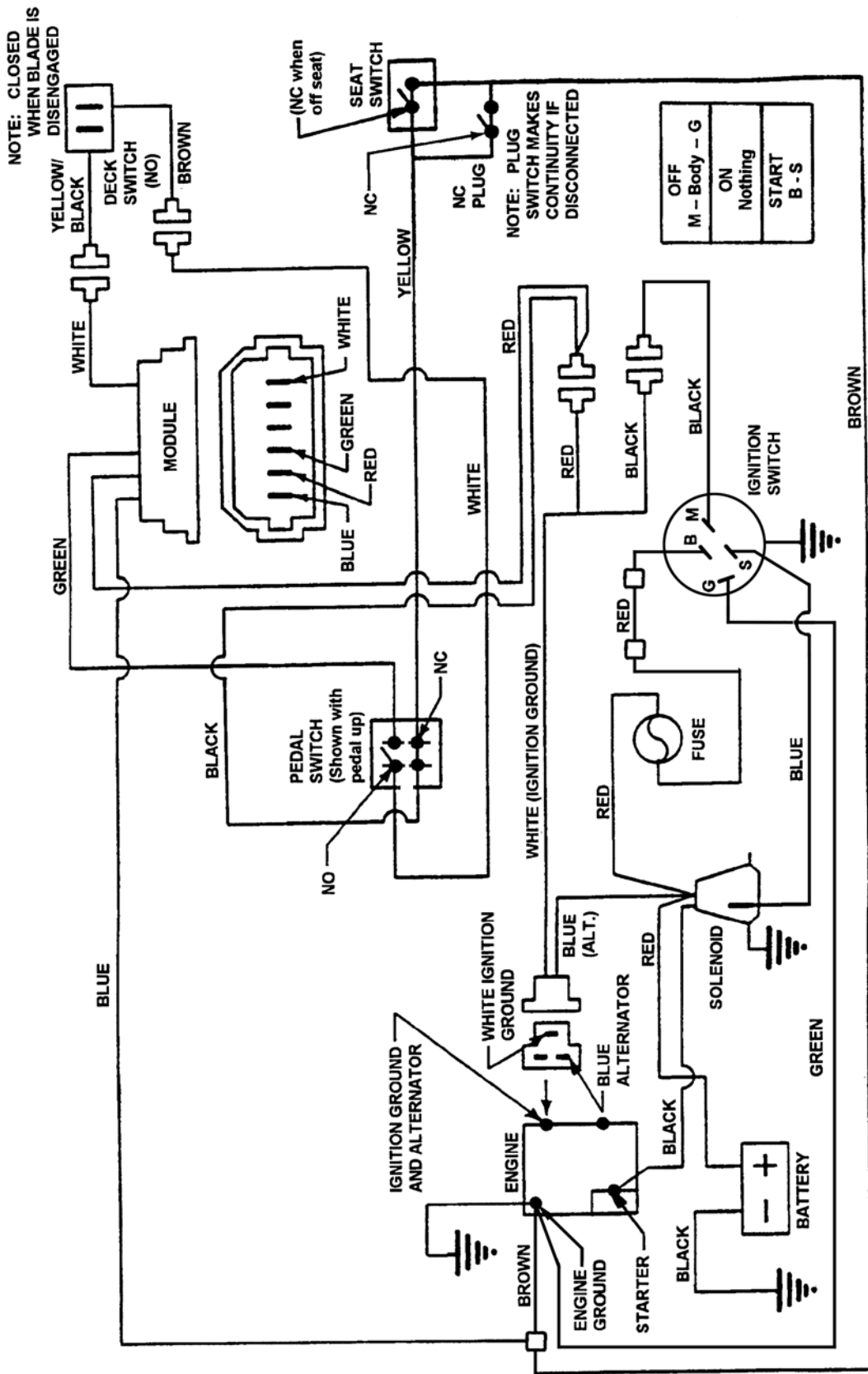
WIRING SCHEMATIC FOR 10, & 12 HP (Briggs Engines)

WIRING SCHEMATICS



WIRING SCHEMATIC FOR 14.5 HP (Briggs Engine)

WIRING SCHEMATICS



WIRING SCHEMATIC FOR 14 & 15 HP (Kohler Engines)

HARDWARE BAGS

ITEM	PART NO.	DESCRIPTION	LOCATION
--	6-1872	HARDWARE BAG (includes items listed below)	
1	1-1024	PLUG, Oil Fill & Check (2)	page 11, item 18 & page 13, item 14
2	1-3321	BUSHING, Tie Rod (2).....	page 7, item 12
3	1-3849	SPACER, 21/64" (2).....	page 25, item 10
4	1-3862	PIN, 1/4 x 1-1/2" Roll.....	page 6, item 3
5	2-3191	KNOB, Three Prong (2).....	page 25, item 9
6	2-3667	FOAM COVER, Steering Shaft	page 6, item 23
7	2-3671	COVER, Steering Shaft.....	page 7, item 32
8	2-8395	SPACER, Pivot (2)	page 7, item 33
9	2-9211	SEAT SWITCH, Quick Mount	page 25, item 13
10	9-0372	NUT, 1/4-20 Hex Center Lock (2)	pg. 32 & 34, item 24
11	9-1038	BOLT, 5/16-18 x 1/2" Hex Flange Lock (2).....	page 25, item 12
12	9-1516	PIN, 5/32 x 1" Cotter (2)	page 3, item 11 page 7, item 41
13	9-0296	PIN, 3/16 x 1" Cotter	page 7, item 24
14	9-0122	WASHER, 3/8" Flat (2).....	page 7, item 6
15	9-0913	SCREW, #10-24 x 1/2" Hex (Torx) (2).....	page 7, item 43

ITEM	PART NO.	DESCRIPTION	LOCATION
--	6-3185	HARDWARE BAG (includes items listed below)	
1	1-1024	PLUG, Oil Fill & Check (2)	page 11, item 18 & page 13, item 14
2	1-3321	BUSHING, Tie Rod (2).....	page 7, item 12
3	1-3849	SPACER, 21/64" (2).....	page 25, item 10
4	1-3862	PIN, 1/4 x 1-1/2" Roll.....	page 6, item 3
5	2-3191	KNOB, Three Prong (2).....	page 25, item 9
6	2-3667	FOAM COVER, Steering Shaft	page 6, item 23
7	2-3671	COVER, Steering Shaft.....	page 7, item 32
8	2-9211	SEAT SWITCH, Quick Mount	page 25, item 13
9	9-0372	NUT, 1/4-20 Hex Center Lock (2)	pg. 32 & 34 item 24
10	9-1038	BOLT, 5/16-18 x 1/2" Hex Flange Lock (2).....	page 25, item 12
11	9-1516	PIN, 5/32 x 1" Cotter (2)	page 3, item 11 & page 7, item 41
12	9-0296	PIN, 3/16 x 1" Cotter	page 7, item 24
13	9-0122	WASHER, 3/8" Flat (2).....	page 7, item 6
14	9-0913	SCREW, #10-24 x 1/2" Hex (Torx) (2).....	page 7, item 43

Parts Manual for

SNAPPER®

REAR ENGINE RIDER SERIES 22

SNAPPER REAR ENGINE RIDER ACCESSORIES*

PART NO.	DESCRIPTION OF KIT	MODELS USED ON
6-0517	Wheel Weight (8" Wheels)	All Rear Engine Riders
6-0601	Smooth Start Clutch	All Rear Engine Riders
6-0325	Drive Disc Puller	All RER Aluminum Drive Discs
6-0697	Dump Cart	All Rear Engine Riders
6-1400	Gauge Wheel	All 28" & 33" Deck Rear Engine Riders
6-0794	Gauge Wheel	All 41" & 42" Deck Rear Engine Riders
6-0941	Single Bag Catcher	All 25" Deck Rear Engine Riders
6-0942	Single Bag Catcher	All 26" & 30" Deck Rear Engine Riders
6-0943	Single Bag Catcher	All 28" & 33" Deck Rear Engine Riders
6-0944	Single Bag Catcher	All 41" & 42" Deck Rear Engine Riders
6-0946	Twin Bag Catcher	All 28" & 33" Deck Rear Engine Riders
6-1414	Twin Bag Catcher	European 28" & 33" Rear Engine Riders
6-0945	Twin Bag Catcher	All 41" & 42" Deck Rear Engine Riders
6-3125	Clamshell Catcher	All 28" & 33" Deck Rear Engine Riders
6-0947	Bag-N-Wagon	All 28" & 33" Deck Rear Engine Riders
6-0948	Thatcherizer	All Series 7 & Newer Riders
6-0964	Wagon Cover	All 28" & 33" Deck Rear Engine Riders
6-1190	Weight (Front)	All Series 7 & Newer Riders
6-0959	Dozer Blade (36" Blade)	All Rear Engine Riders
6-0357	Tire Chains (Tires-16 x 6.50-8)	All Rear Engine Riders
6-0358	Tire Chains (Tires-16 x 4.80-8)	All Rear Engine Riders
6-1823	Ninja Recycling (Cover)	All 25" Deck Rear Engine Riders
6-1049	Recycling (Cover)	All 25" Deck Rear Engine Riders
6-1253	Ninja Recycling (Cover)	All 28" Deck Rear Engine Riders
6-1254	Ninja Recycling (Cover)	All 30" Deck Rear Engine Riders
6-1255	Ninja Recycling (Cover)	All 33" Deck Rear Engine Riders
6-1220	Ninja Recycling (Cover)	All 41" & 42" Deck Rear Engine Riders
6-1910	Utility Trailer (10 Cubic Feet)	
6-1911	Spiker Aerator (36")	
6-1912	Dethatcher (40")	
6-1913	Lawn Sweeper (36")	
6-1914	Dethatcher Kit (For 36" Sweeper)	
6-1915	Poly Lawn Roller (24" & 36")	
6-1916	Broadcast Spreader (3.5 Feet)	

*For illustrated parts lists see manual #0-6084.

SNAPPER®McDonough, GA., 30253 U.S.A.

COPYRIGHT © 2002
SNAPPER INC.
ALL RIGHTS RESERVED

MANUAL No. 06128

(Rev. 1, 06/30/02)

Printed in U.S.A.